



US00D977358S

(12) **United States Design Patent** (10) **Patent No.:** **US D977,358 S**
Aldape (45) **Date of Patent:** **** Feb. 7, 2023**

(54) **SOUNDER HOUSING** 8,669,852 B2 * 3/2014 Neufeglise B60Q 1/22
340/474
(71) Applicant: **Electronic Controls Company**, Boise, ID (US) D796,367 S * 9/2017 Neufeglise B60Q 1/22
D10/120
D874,436 S * 2/2020 Goltche G08B 3/10
D14/215
(72) Inventor: **John Luis Aldape**, Boise, ID (US) D894,029 S 8/2020 Aldape
(Continued)
(73) Assignee: **Electronic Controls Company**, Boise, ID (US)

FOREIGN PATENT DOCUMENTS

(**) Term: **15 Years** EM 008192991-001 * 1/2021

(21) Appl. No.: **29/749,424** **OTHER PUBLICATIONS**

(22) Filed: **Sep. 4, 2020** Preco Back-Up Alarm, published on (Mar. 20, 2015) on amazon.com, retrieved from internet (Sep. 28, 2022). <URL: https://www.amazon.com/Preco-Back-Up-Alarm-12-24-D75814/dp/B071XF62GM> (Year: 2015).*

(51) **LOC (14) Cl.** **10-05**

(52) **U.S. Cl.**
USPC **D10/116.1; D10/120**

(58) **Field of Classification Search**
USPC D10/75, 104, 104.1, 106.1–106.9, 113.1, D10/113.2, 116.1, 118, 118.2, 119, 120, D10/121, 125, 126, 132; D14/159, 204, D14/209, 210, 215, 216; D21/461, 468, D21/471, 472, 477, 479, 492, 505, 509, D21/510, 672, 682, 684, 688, 689, 701, D21/717, 781; D23/390

CPC . E01F 9/615; E01F 9/629; E01F 9/654; E01F 9/688; G09F 13/16; G09F 15/0062
See application file for complete search history.

(Continued)
Primary Examiner — Joseph Kukella
Assistant Examiner — Heather Ann Laaveg Wencil
(74) *Attorney, Agent, or Firm* — Stoel Rives LLP

(57) **CLAIM**

The ornamental design for a sounder housing, substantially as shown and described.

DESCRIPTION

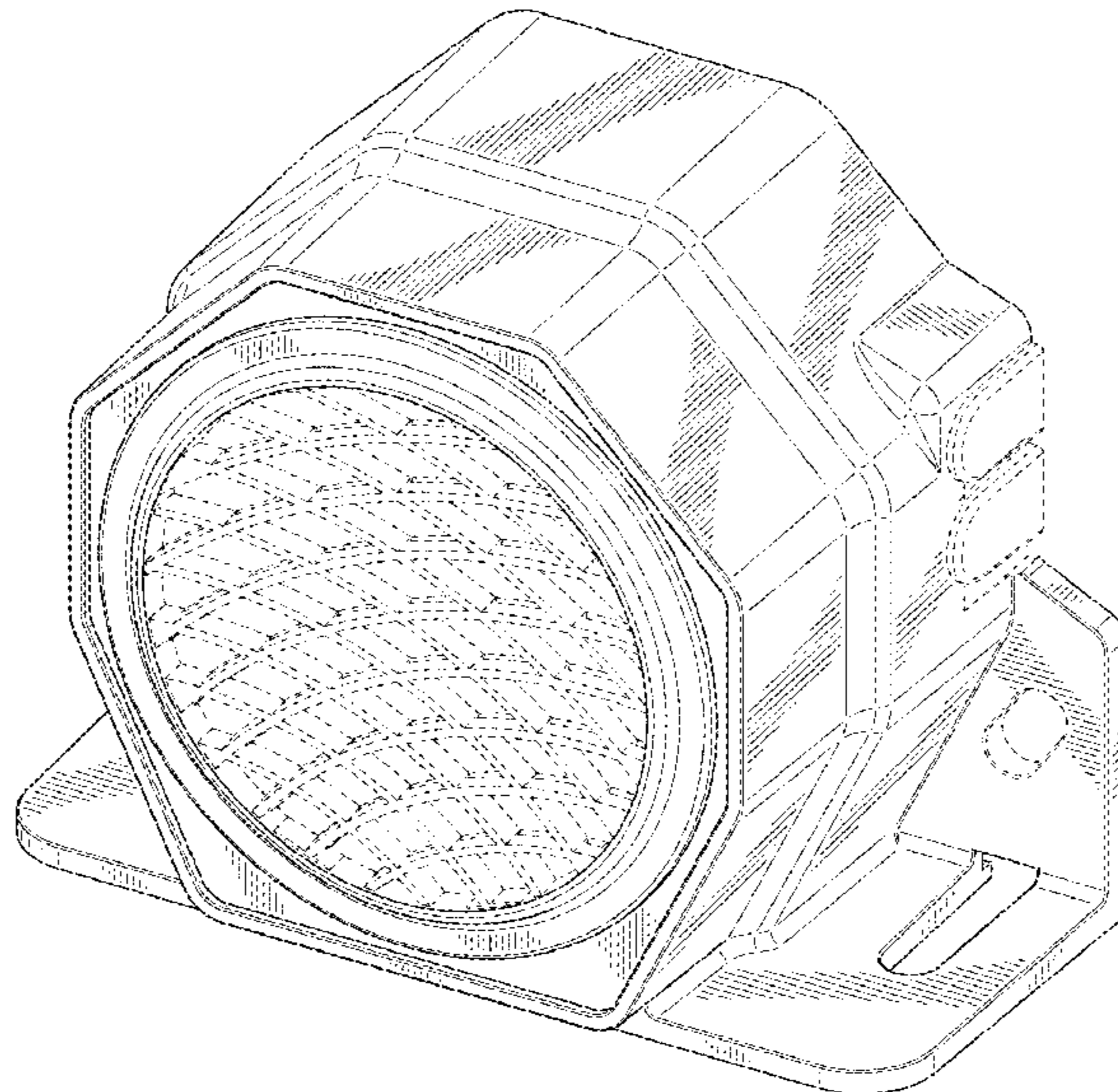
FIG. 1 is a front isometric view of a sounder housing; FIG. 2 is a rear isometric view thereof; FIG. 3 is a front elevation view thereof; FIG. 4 is a rear elevation view thereof; FIG. 5 is a right side elevational view thereof; FIG. 6 is a left side elevational view thereof; FIG. 7 is a top plan view thereof; and, FIG. 8 is a bottom plan view thereof. The broken lines in FIGS. 1-5, 7, and 8 illustrate portions of the sounder housing that form no part of the claimed design.

(56) **References Cited**

U.S. PATENT DOCUMENTS

D320,755 S * 10/1991 Dahlberg D10/75
6,166,623 A * 12/2000 Coward G08B 3/10
340/384.73
D485,201 S 1/2004 Corrigan
D514,466 S * 2/2006 Lai D10/120
D514,973 S * 2/2006 Coward D10/120
D516,448 S * 3/2006 Lai D10/120
D517,048 S * 3/2006 Huang D14/215
D639,688 S * 6/2011 Neufeglise D10/116.1

1 Claim, 5 Drawing Sheets



(56)

References Cited

U.S. PATENT DOCUMENTS

D952,493 S * 5/2022 Datz G08B 3/10
D10/106.1

OTHER PUBLICATIONS

Ecco, published on (Jan. 15, 2019) on youtube.com, retrieved from internet (Sep. 28, 2022). <URL: <https://www.youtube.com/watch?v=qcNsiyJCVBc>> (Year: 2019).*

Backup Reverse Warning Beeper, published on (Mar. 25, 2020) on amazon.com, retrieved from internet (Sep. 28, 2022). <URL: https://www.amazon.com/dp/B0BFWP5DMC/ref=sspa_dk_detail_1> (Year: 2020).*

* cited by examiner

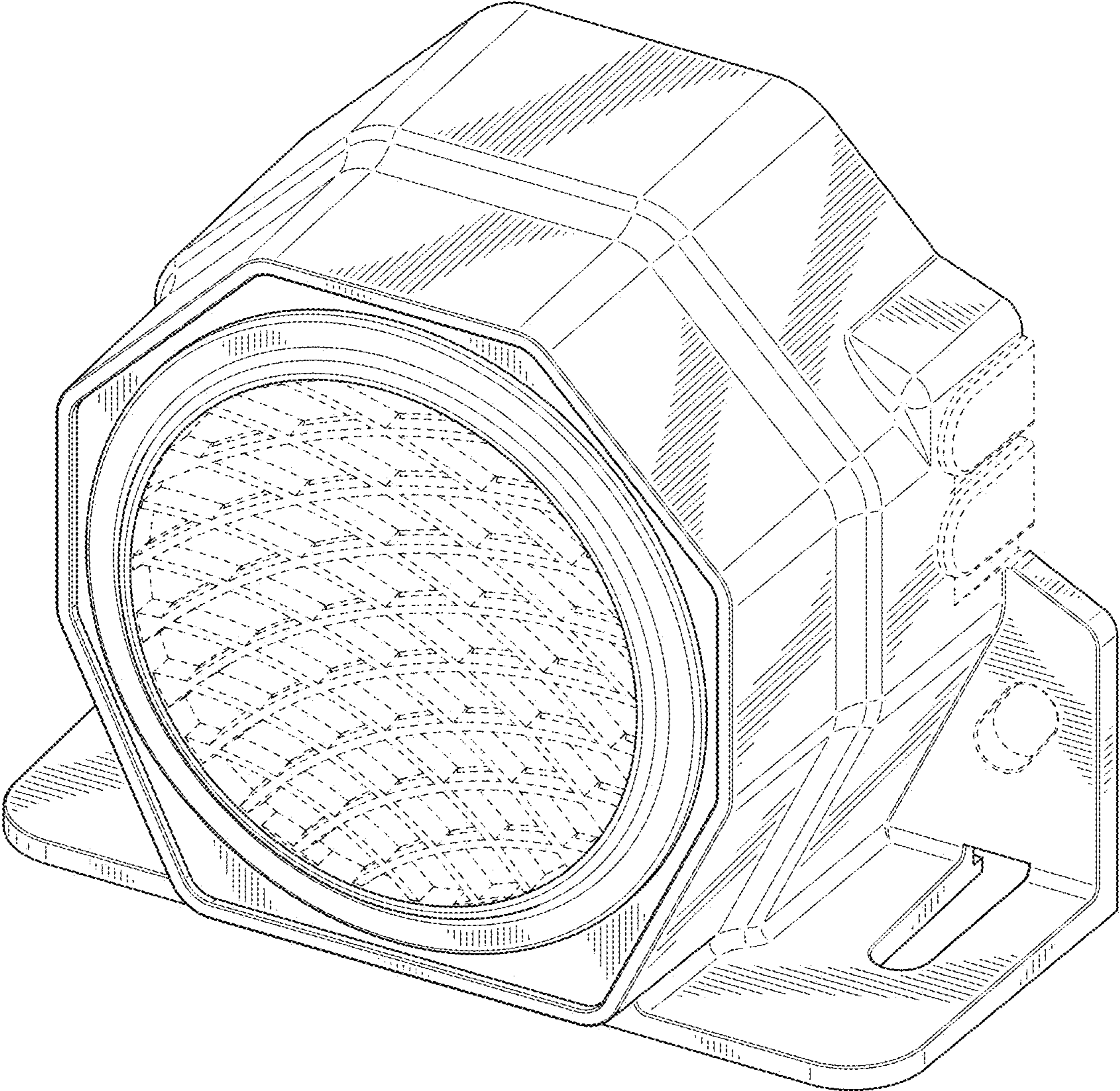


FIG. 1

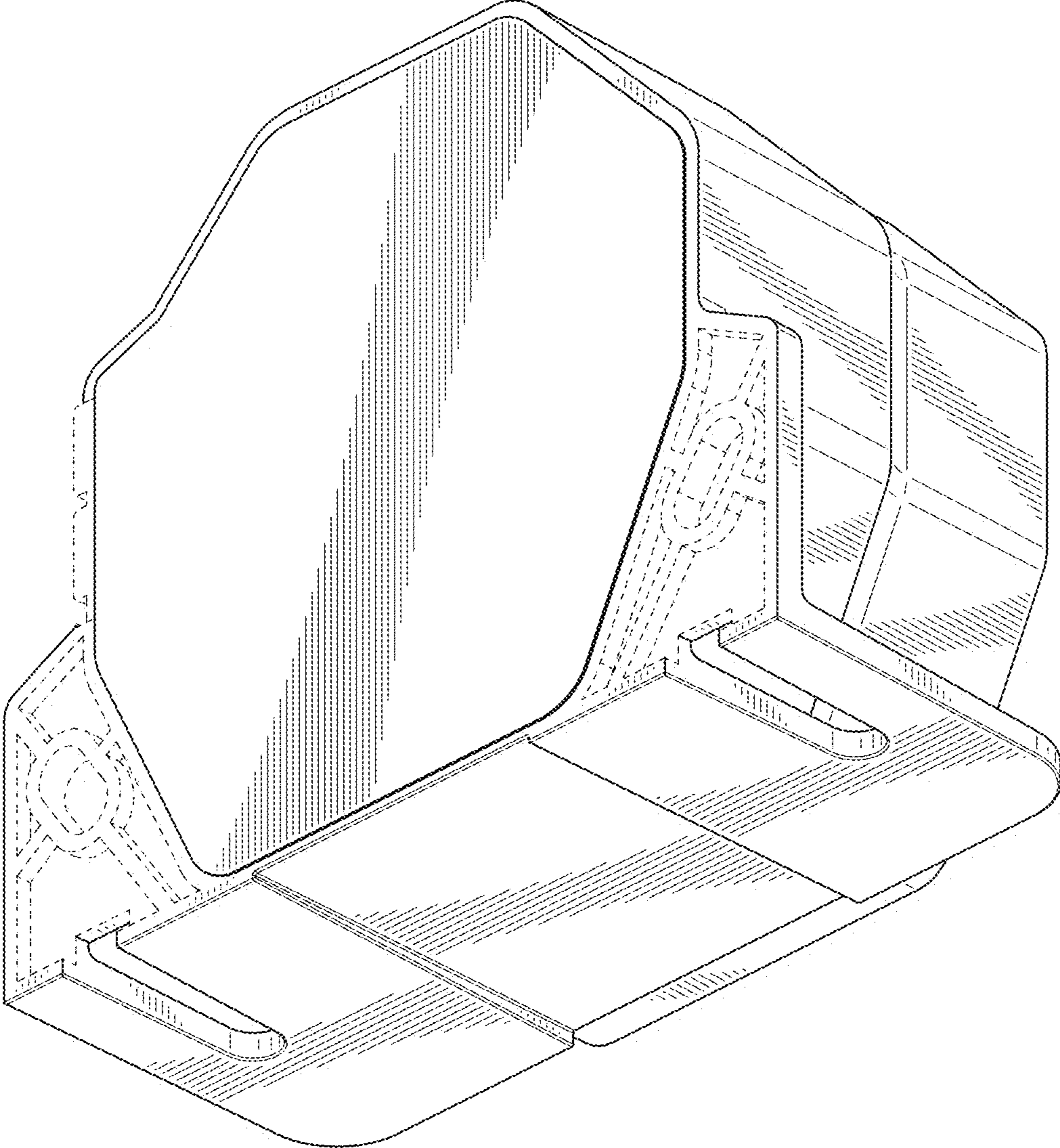


FIG. 2

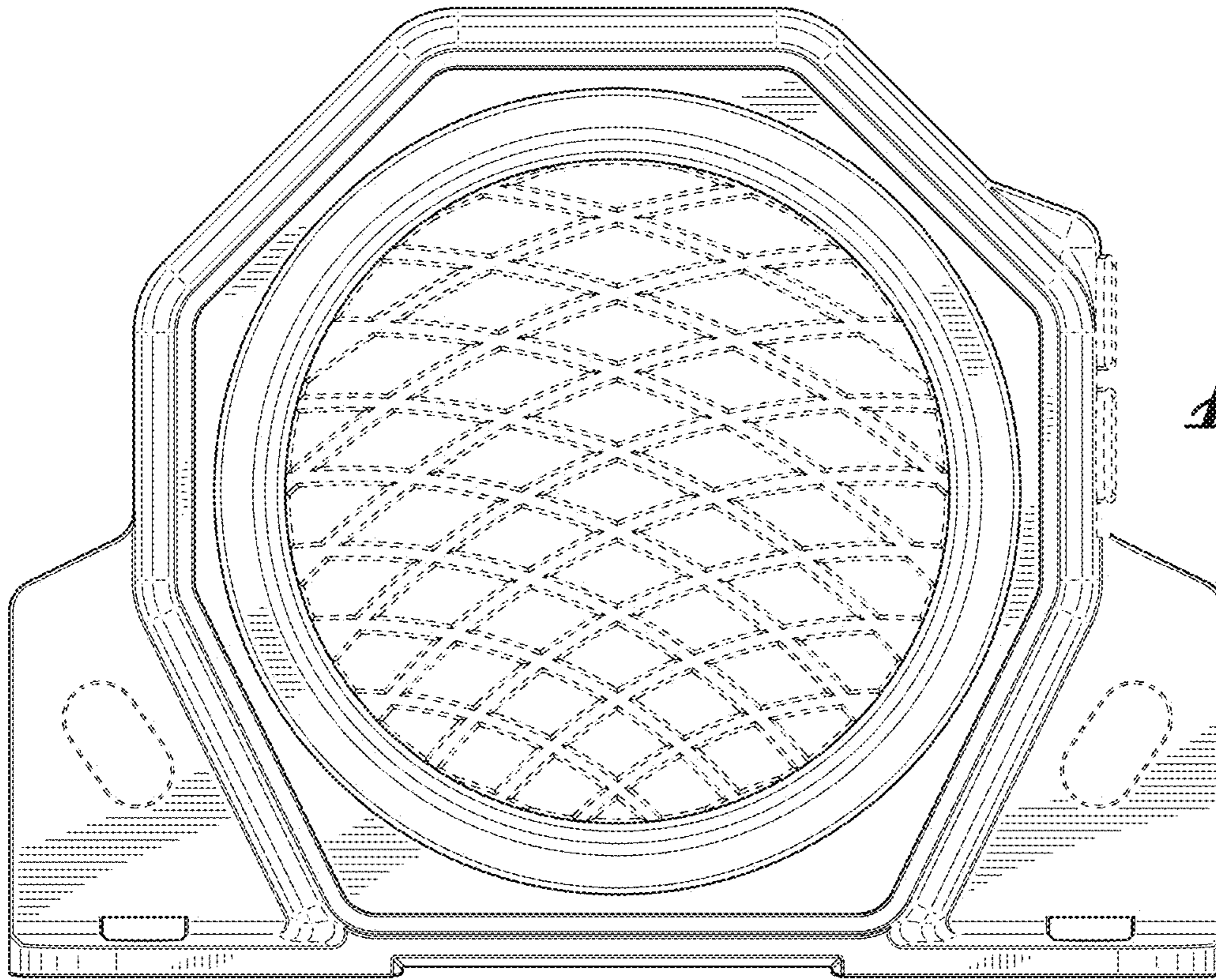


FIG. 3

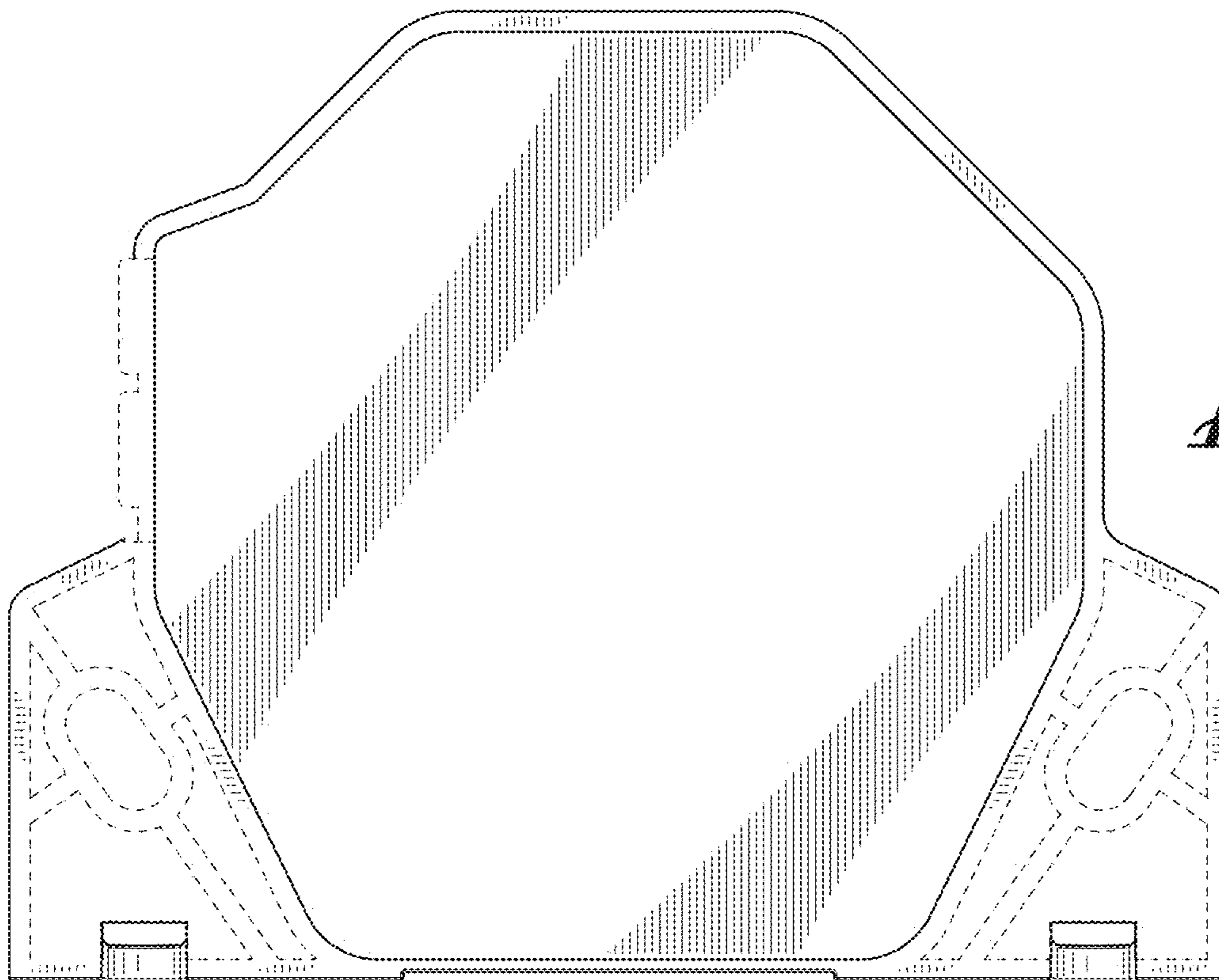


FIG. 4

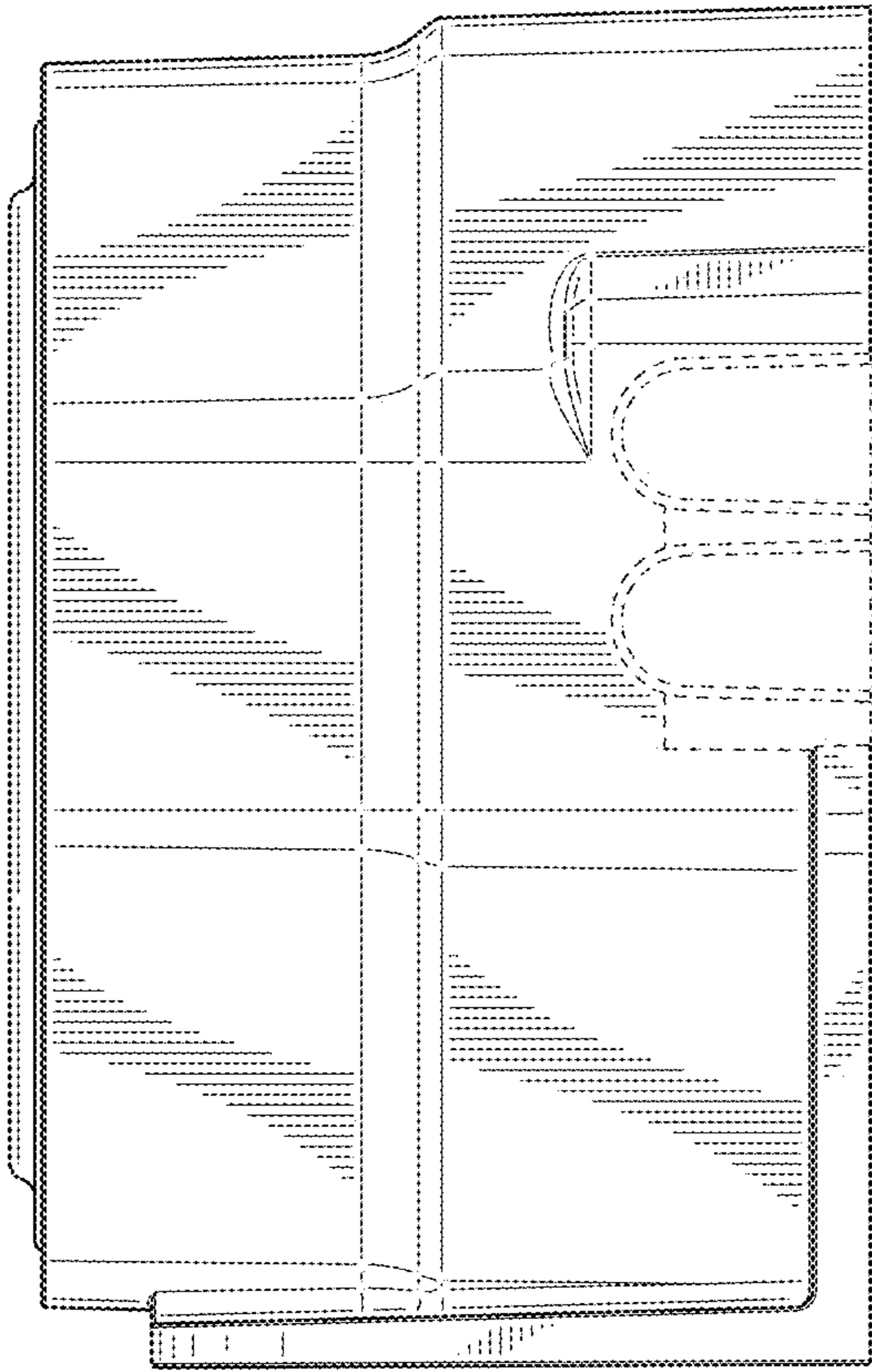


FIG. 5

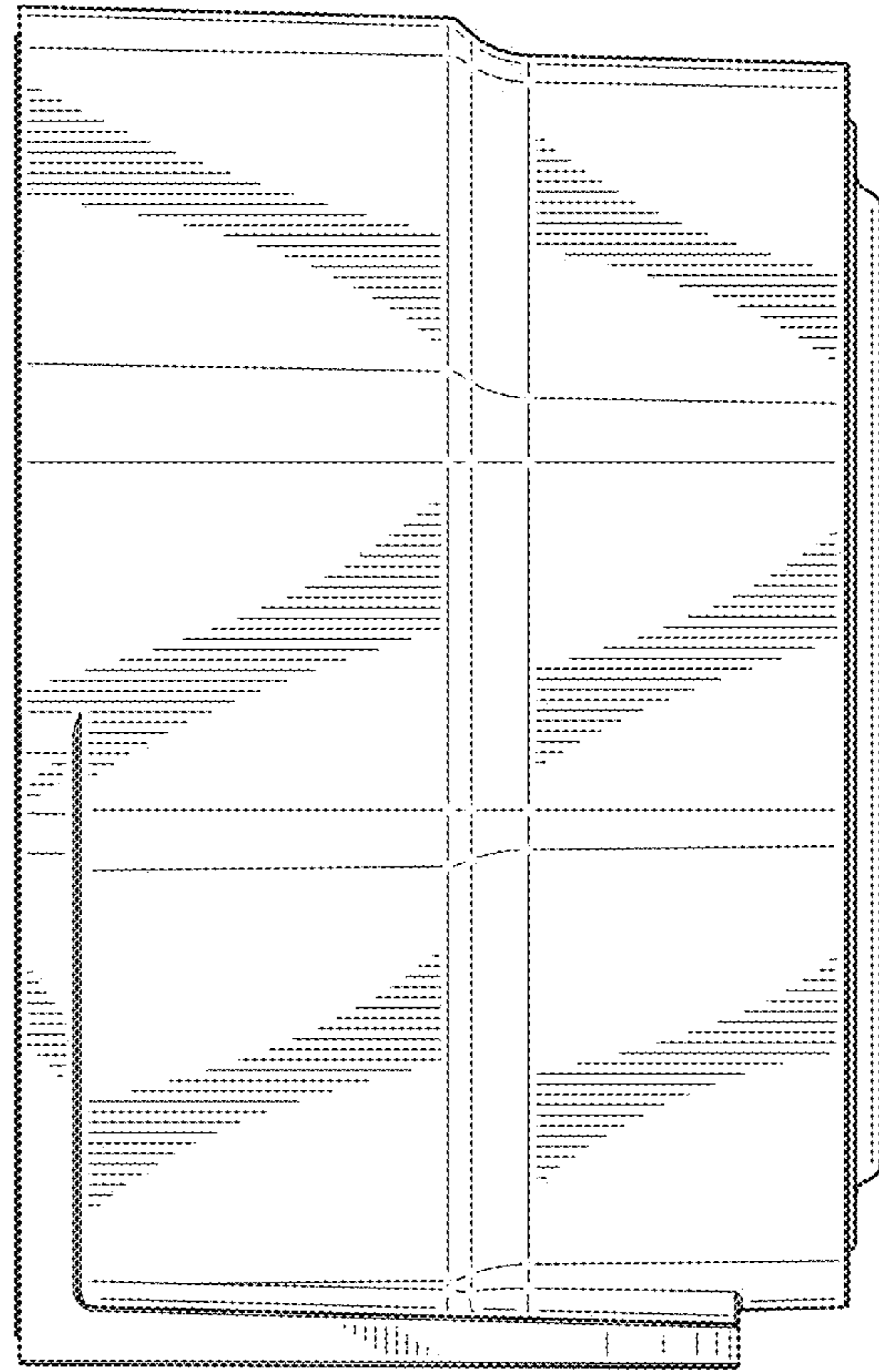


FIG. 6

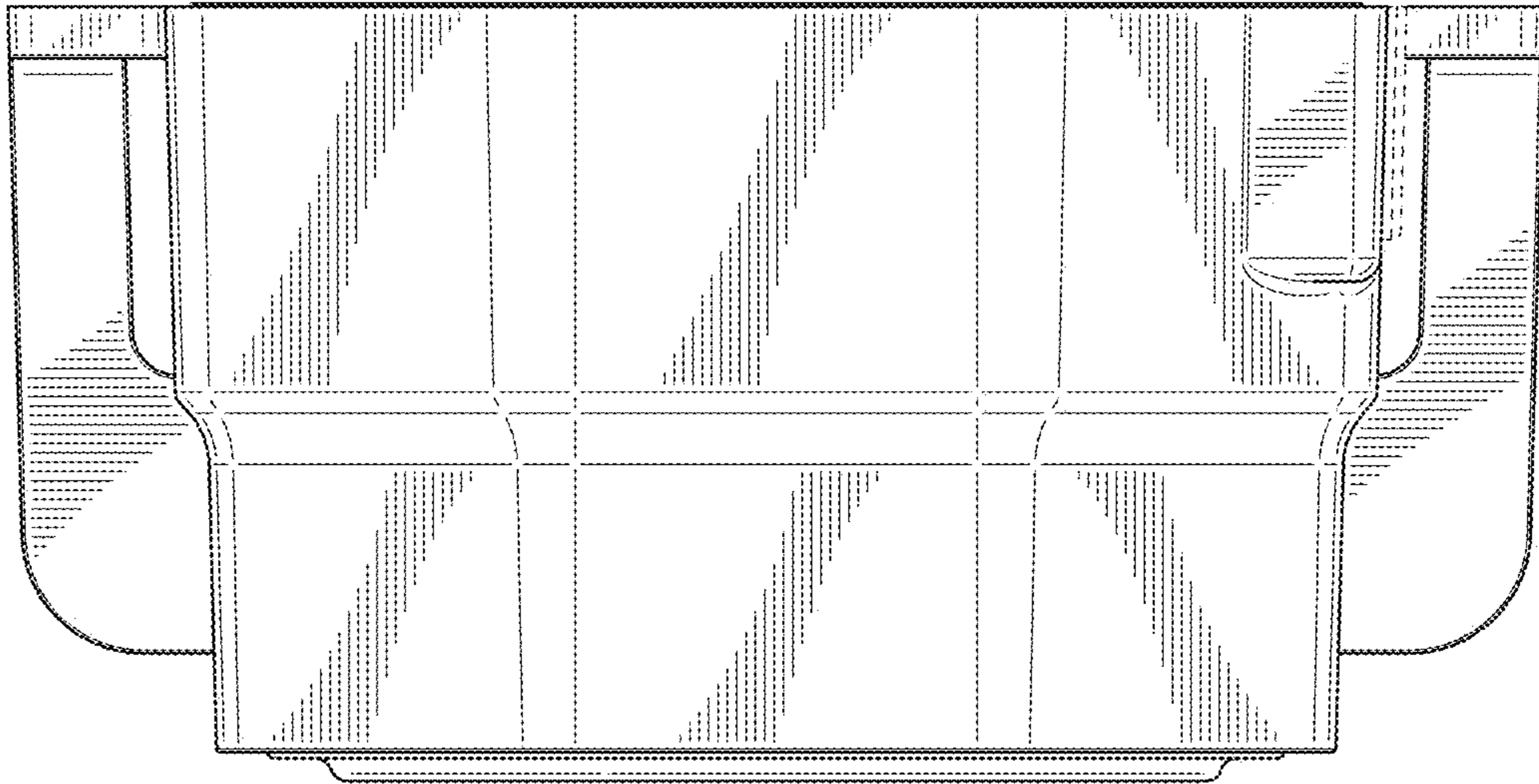


FIG. 7

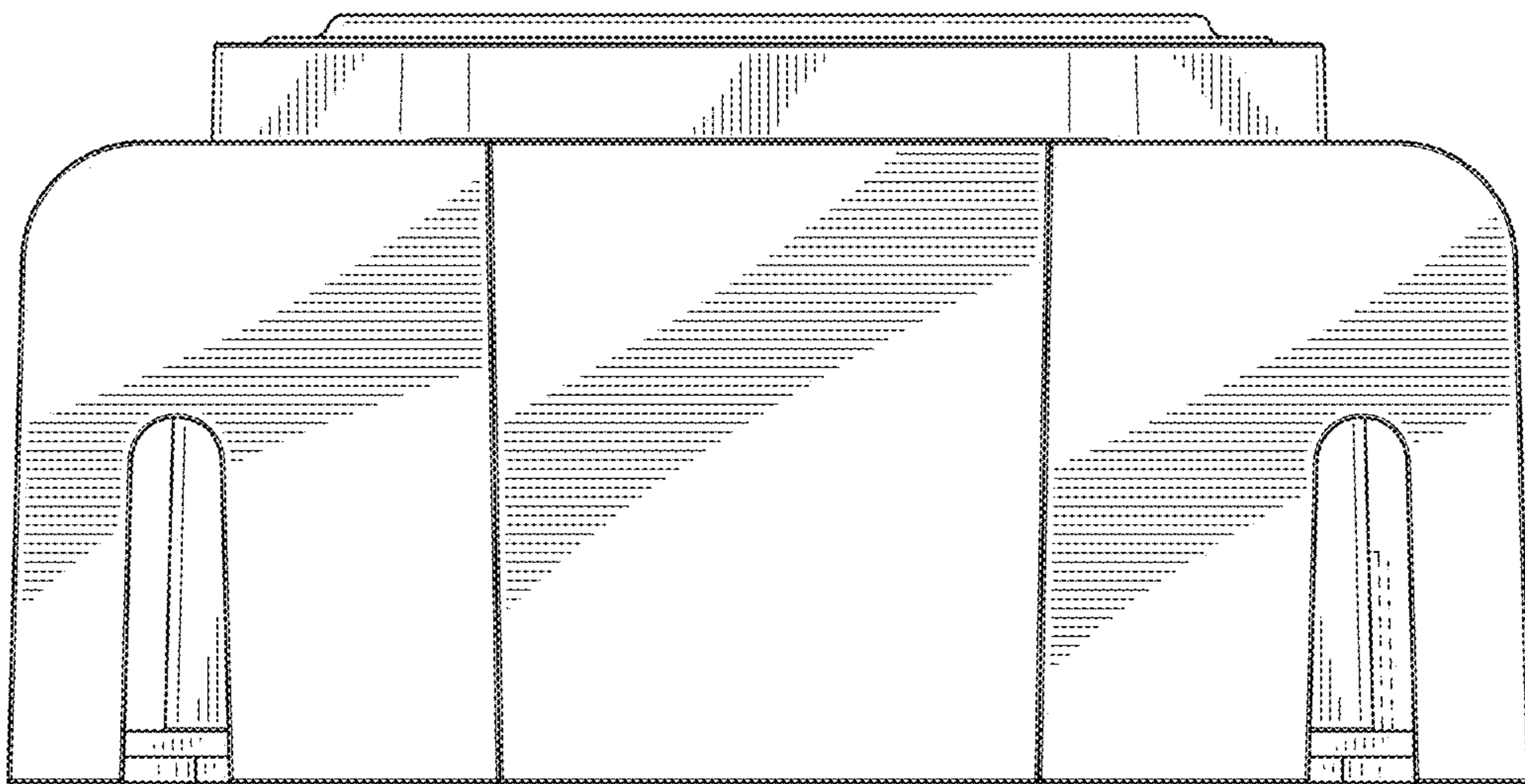


FIG. 8