



US00D977357S

(12) **United States Design Patent** (10) **Patent No.:** **US D977,357 S**
Pacavar et al. (45) **Date of Patent:** **** Feb. 7, 2023**

(54) **WARNING LIGHT FOR VEHICLES**
(71) Applicant: **STAR HEADLIGHT & LANTERN CO., INC.**, Avon, NY (US)
(72) Inventors: **Elvis Pacavar**, Penfield, NY (US);
Tracy L. Andrew, Livonia, NY (US);
J. Douglas Richardson, Pittsford, NY (US)

D535,434 S * 1/2007 Fischer D26/122
D564,928 S 3/2008 Belitz et al.
D593,428 S * 6/2009 Lyons D10/114.4
D604,188 S 11/2009 Shin
D608,674 S 1/2010 Lyons
D627,247 S 11/2010 Shin
D634,056 S * 3/2011 Hokazono D26/89
(Continued)

(73) Assignee: **Star Headlight & Lantern Co., Inc.**, Avon, NY (US)

JP D1630311 * 5/2019
KR 3020180054263 * 7/2019

(**) Term: **15 Years**

FOREIGN PATENT DOCUMENTS

(21) Appl. No.: **29/749,212**

(22) Filed: **Sep. 3, 2020**

(51) **LOC (14) Cl.** **10-05**

(52) **U.S. Cl.**
USPC **D10/114.4**

(58) **Field of Classification Search**
USPC D10/104.1, 106.1–106.5, 106.7–106.9,
D10/106.95, 109.1–109.2, 110, 111,
D10/114.1–114.8; D12/190, 401, 406,
D12/412, 414; D13/165; D16/202–203,
D16/214–215; D26/28, 35–36, 52, 72,
D26/102, 104, 118–119, 120, 122
CPC F21W 2102/00–40; F21W 2103/00–60;
A42B 3/0433; A42B 3/044

See application file for complete search history.

(56) **References Cited**

U.S. PATENT DOCUMENTS

4,827,386 A * 5/1989 Mackiewicz F21V 17/164
362/225
D309,956 S * 8/1990 Sikora B60Q 11/005
D26/123
D496,487 S * 9/2004 Rhee D26/89
6,991,348 B2 * 1/2006 Titmarsh F21V 31/005
362/147
D534,523 S * 1/2007 Kang D14/214

OTHER PUBLICATIONS

Star 99 LED, publish date unknown on star1889.com, retrieved from internet Jun. 29, 2022. <URL:https://star1889.com/emergency-police-lights-and-accessories/led-mini-bars/star-9900led-9901led-equalizer-minibar> (Year: 2022).*

(Continued)

Primary Examiner — Joseph Kukella
Assistant Examiner — Heather Ann Laaveg Wencil
(74) *Attorney, Agent, or Firm* — Kenneth J. LuKacher;
Kenneth J. LuKacher Law Group

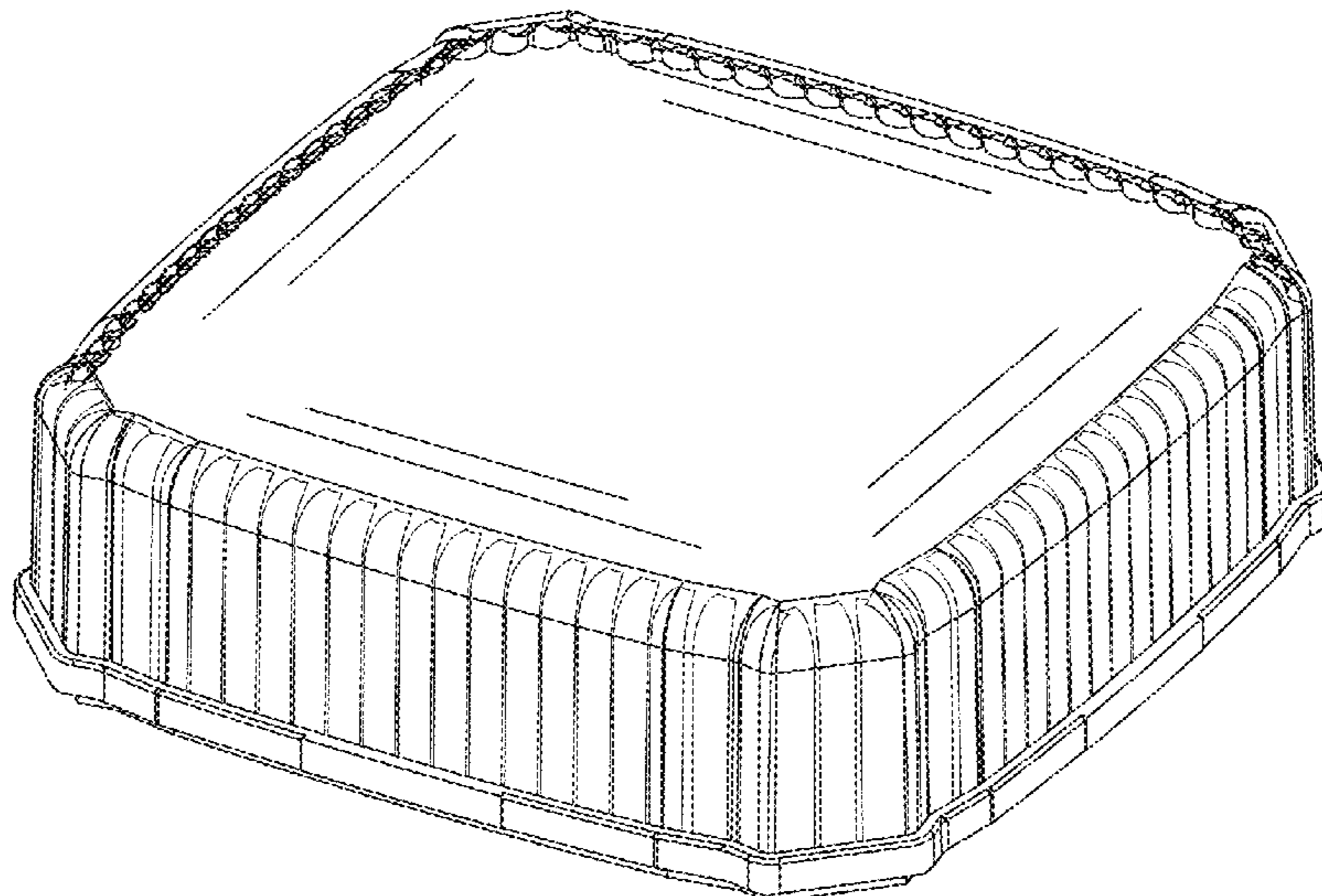
(57) **CLAIM**

The ornamental design of a warning light for vehicles, as shown and described.

DESCRIPTION

FIG. 1 is a perspective view from the top of a warning light for vehicles showing our new design;
FIG. 2 is a top plan view thereof;
FIG. 3 is an elevational view from the front thereof, the back elevation view thereof being identical thereto;
FIG. 4 is a right end view thereof, the left end view thereof being identical thereto;
FIG. 5 is a bottom plan view thereof; and,
FIG. 6 is a perspective view from the bottom thereof.

1 Claim, 6 Drawing Sheets



(56)

References Cited

U.S. PATENT DOCUMENTS

D663,227 S 7/2012 Andrew et al.
 D668,168 S 10/2012 Chen
 D683,252 S 5/2013 Andrew et al.
 D685,941 S * 7/2013 Boyer D26/67
 D703,861 S * 4/2014 Holland D26/89
 D742,055 S * 10/2015 Marshal D26/89
 9,291,328 B1 * 3/2016 Andrew F21V 13/04
 D755,160 S * 5/2016 Ponce D14/214
 D759,286 S * 6/2016 Chen F21V 13/04
 D26/89
 D760,104 S 6/2016 Jacobs et al.
 D764,460 S * 8/2016 Veja F21V 17/164
 D14/358
 D766,767 S * 9/2016 Bowman D10/128
 D813,209 S * 3/2018 Johnson D14/230
 D855,078 S * 7/2019 Johnson D14/496
 D869,503 S * 12/2019 Johnson D14/496
 D889,296 S * 7/2020 Loh F21V 31/005
 D10/106.1

D900,188 S * 10/2020 Waller D16/203
 2014/0104054 A1 * 4/2014 Weeks B60Q 11/005
 340/468
 2017/0126944 A1 * 5/2017 Jagt F21V 5/002

OTHER PUBLICATIONS

Benzon Square, publish date unknown on tradeindia.com, retrieved from internet Jun. 29, 2022. <URL:https://star1889.com/emergency-police-lights-and-accessories/led-mini-bars/star-9900led-9901led-equalizer-minibar> (Year: 2022).*

Disposable PVC Small, publish date unknown on alibaba.com, retrieved from internet Jun. 29, 2020. <URL:https://www.alibaba.com/product-detail/Custom-disposable-PVC-blister-small-2_1600342854181.html> (Year: 2022).*

Star Contour®, Star Headlight & Lantern Co., Inc., Oct. 2019.
 Starbeam 9016LED, Star Headlight & Lantern Co., Inc., Sep. 2017.
 9018LED Mini-Bar, Star Headlight & Lantern Co., Inc., Jul. 2018.

* cited by examiner

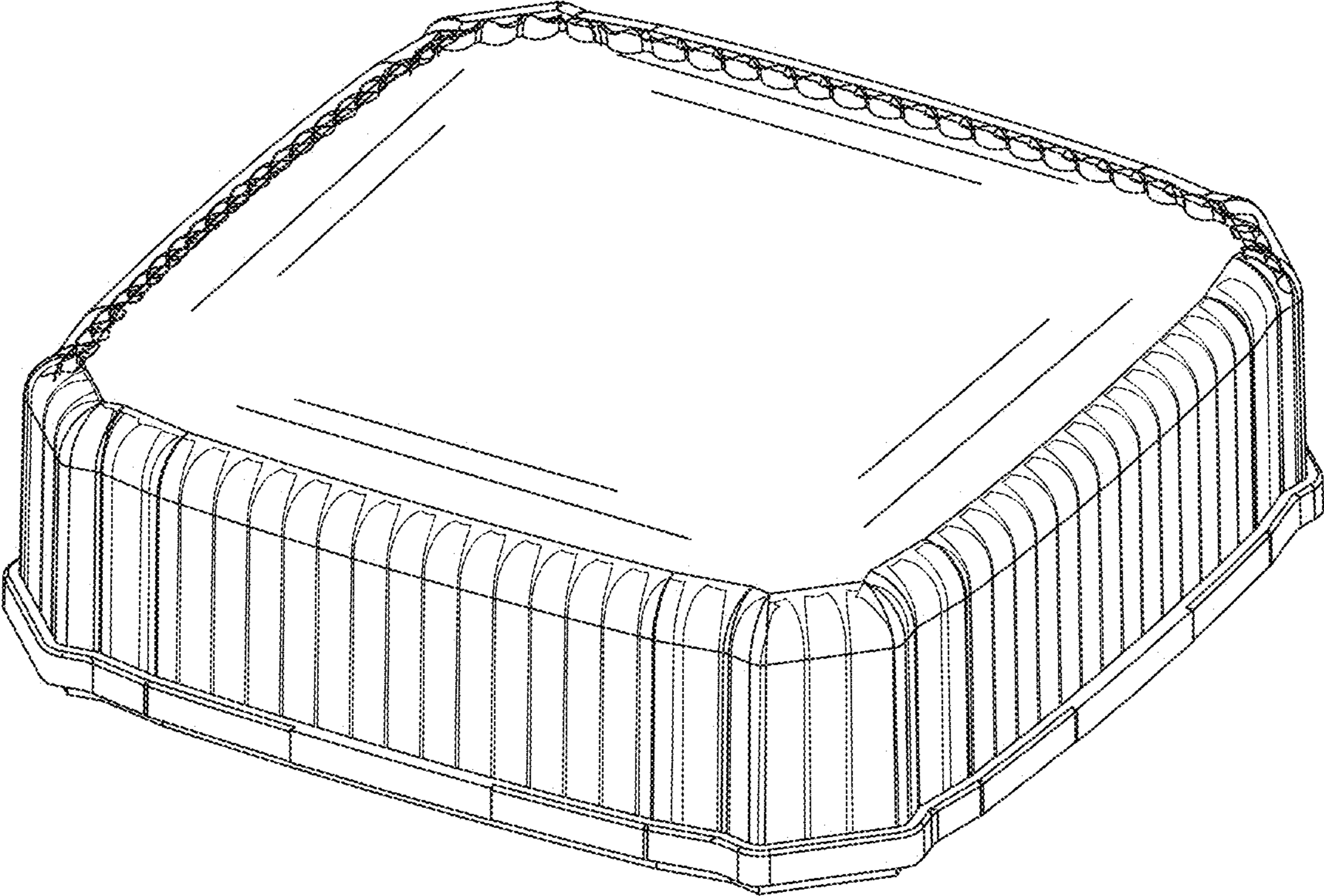


FIG. 1

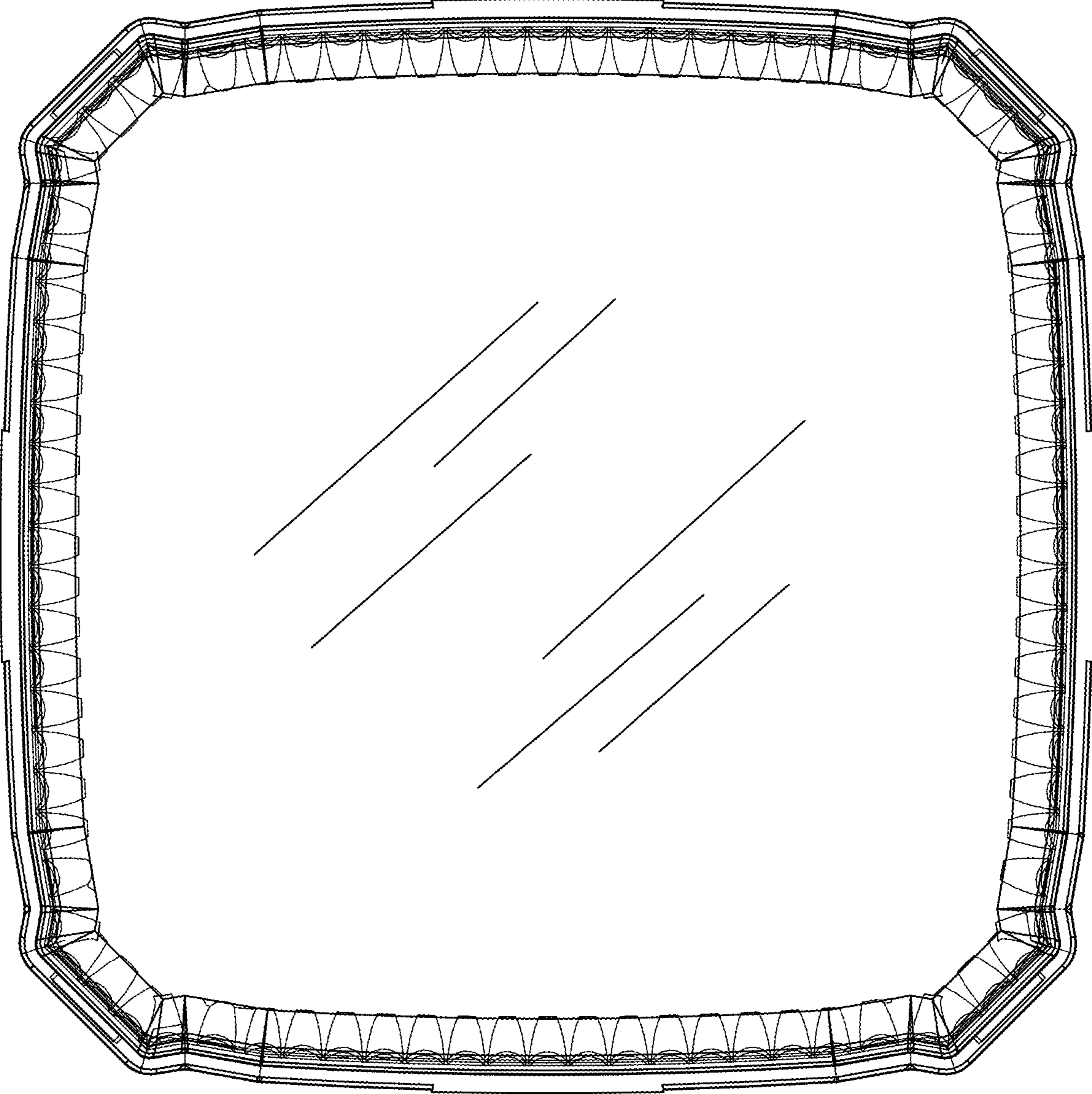


FIG. 2

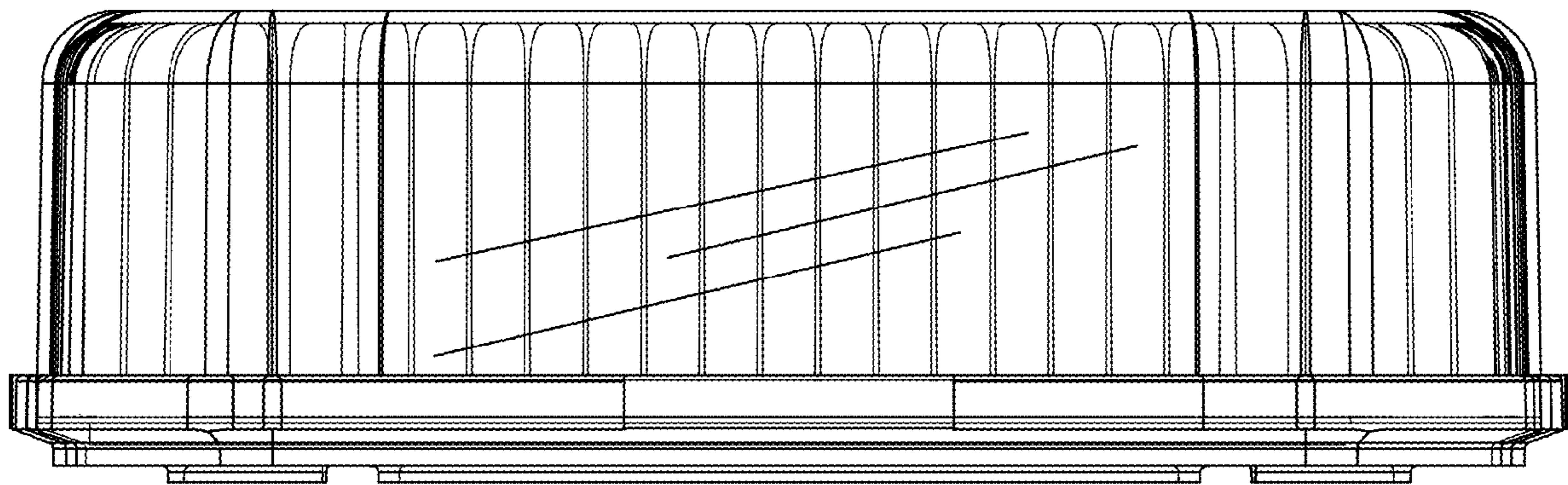


FIG. 3

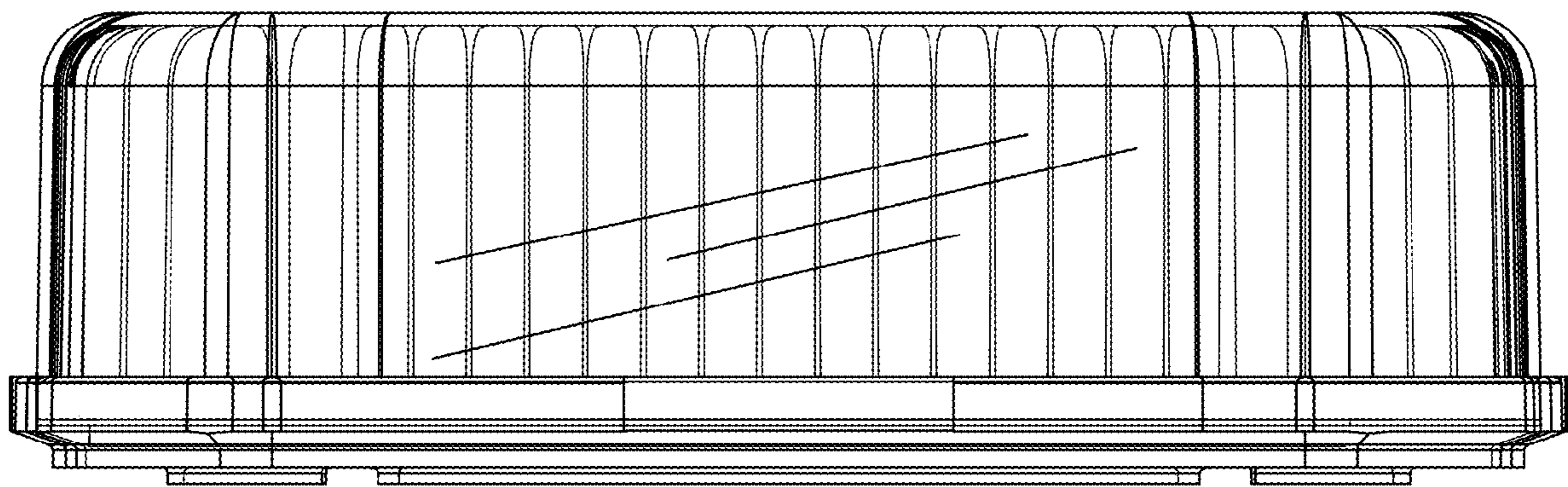


FIG. 4

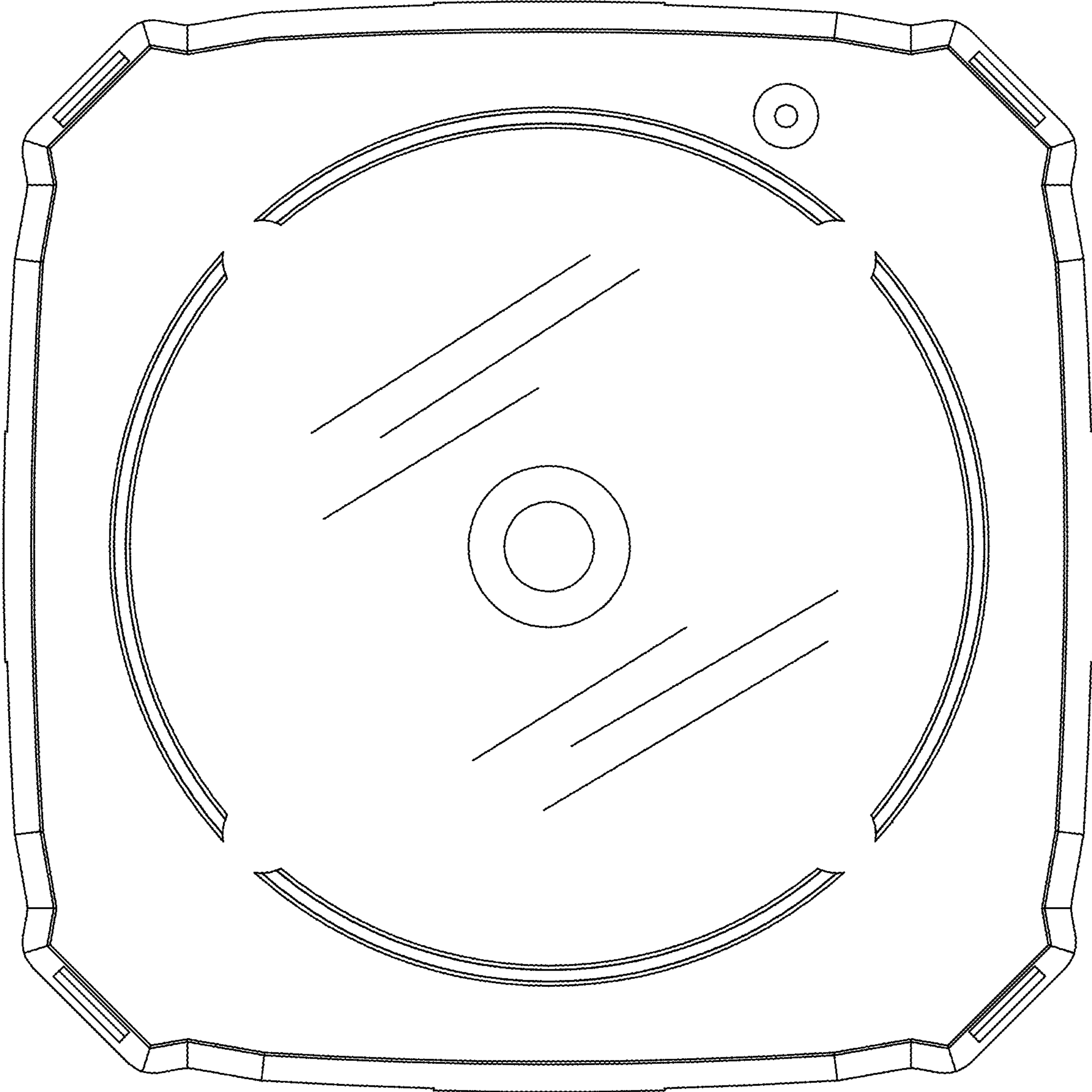


FIG. 5

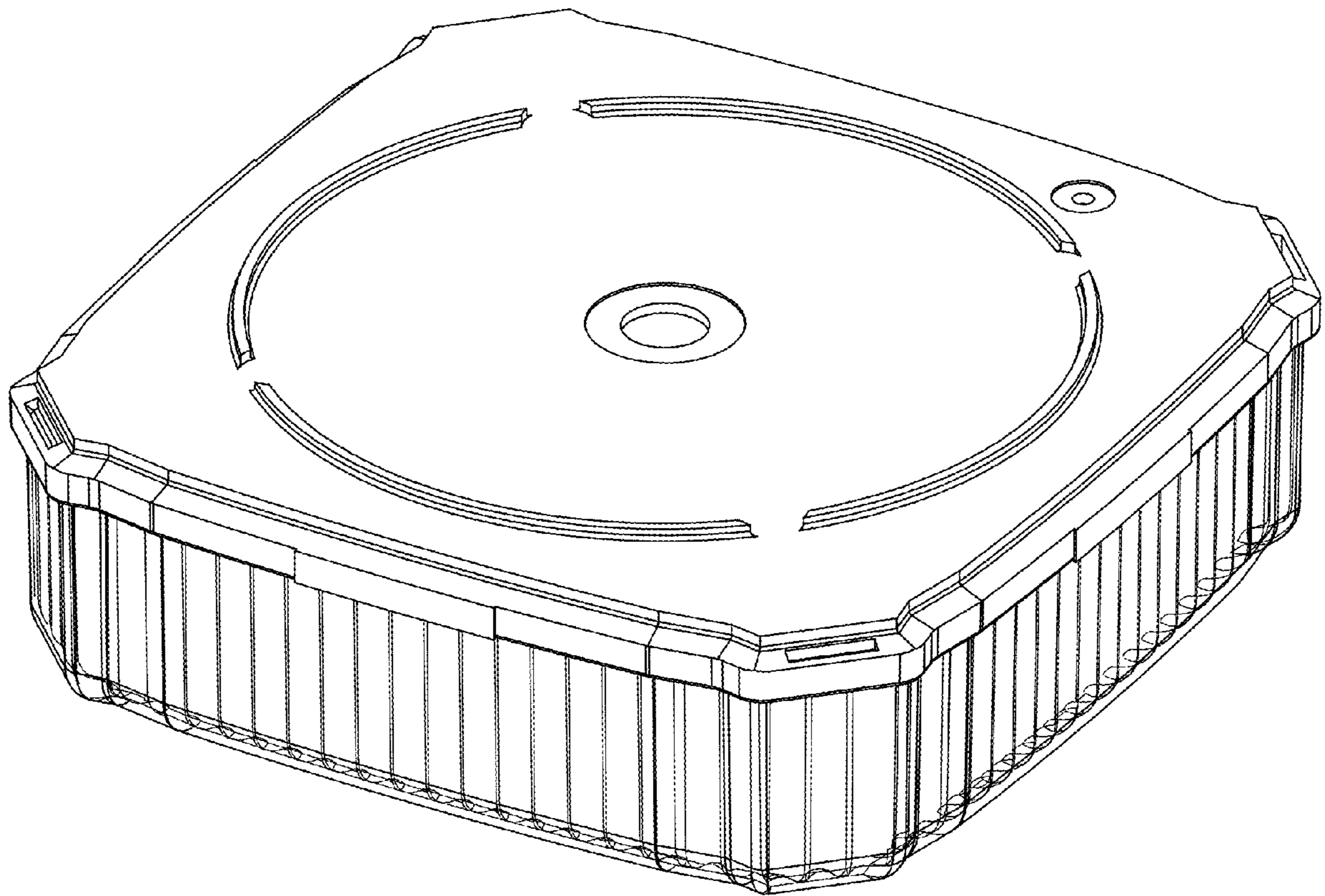


FIG. 6