



US00D977352S

(12) **United States Design Patent** (10) **Patent No.:** **US D977,352 S**
Greenwood et al. (45) **Date of Patent:** **** Feb. 7, 2023**

(54) **NOTIFICATION APPLIANCE**

(71) Applicant: **Carrier Corporation**, Farmington, CT (US)
(72) Inventors: **Thomas Greenwood**, Farmington, CT (US); **Martin Paul Robotham**, Farmington, CT (US)
(73) Assignee: **CARRIER CORPORATION**, Palm Beach Gardens, FL (US)

(**) Term: **15 Years**

(21) Appl. No.: **29/815,553**

(22) Filed: **Nov. 15, 2021**

Related U.S. Application Data

(62) Division of application No. 29/723,075, filed on Feb. 4, 2020, now Pat. No. Des. 939,990, which is a division of application No. 29/627,843, filed on Nov. 30, 2017, now Pat. No. Des. 880,324.

(51) **LOC (14) Cl.** **10-05**

(52) **U.S. Cl.**
USPC **D10/104.1**

(58) **Field of Classification Search**
USPC D10/49, 50, 51, 52, 104.1, 104.2, 105, D10/106.1, 106.2, 106.3, 106.4, 106.5, D10/106.6, 106.7, 106.8, 106.9, 107, 108, D10/109.1, 109.2, 110, 111, 112, 113.1, D10/113.2, 113.3, 113.4, 114.2, 114.3, D10/114.4, 114.5, 114.8, 114.9, 116.1, D10/120, 121, 122, 123, 124, 126, 46.1; D21/405, 722, 812, 396, 385; D23/213, D23/250; D28/82; D19/95, 96, 100; 340/539.12, 392.1, 384.7, 326, 539.14; 473/505, 510, 514
CPC H01H 13/00; H01H 13/023; H01H 13/14; H01H 13/56
See application file for complete search history.

(56) **References Cited**

U.S. PATENT DOCUMENTS

D215,974 S * 11/1969 Berns D10/120
D240,120 S * 6/1976 Pasquarette D10/116.1
D271,089 S * 10/1983 Mallory D10/106.2
4,885,443 A * 12/1989 Simcoe H01H 13/023
200/344
D318,437 S * 7/1991 Kojima D10/106.1
D347,596 S * 6/1994 Jackson D10/106.1
D472,887 S * 4/2003 Right D14/214

(Continued)

FOREIGN PATENT DOCUMENTS

GB 6114165 * 1/2021

Primary Examiner — Katrina N Gonzalez

(74) *Attorney, Agent, or Firm* — Carlson, Gaskey & Olds, P.C.

(57) **CLAIM**

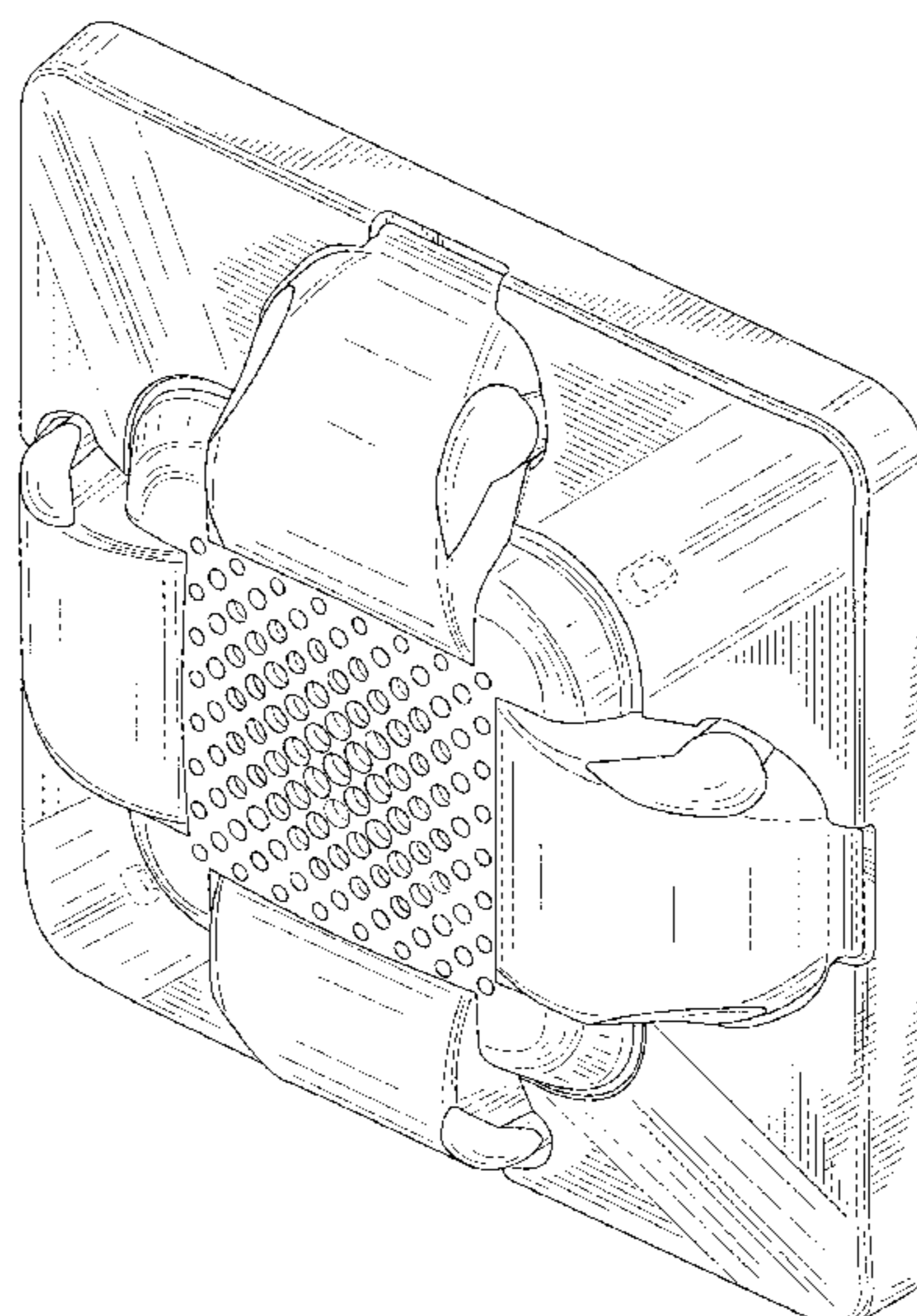
The ornamental design for a notification appliance, as shown and described.

DESCRIPTION

FIG. 1 is a perspective view of a notification appliance; FIG. 2 is a front view of the notification appliance of FIG. 1; FIG. 3 is a right side view of the notification appliance of FIG. 1; FIG. 4 is a left side view of the notification appliance of FIG. 1; FIG. 5 is a first end view of the notification appliance of FIG. 1; FIG. 6 is a second end view of the notification appliance of FIG. 1; and, FIG. 7 is a back view of the notification appliance of FIG. 1.

The broken lines illustrate portions of the notification appliance that form no part of the claimed design.

1 Claim, 6 Drawing Sheets



(56)

References Cited

U.S. PATENT DOCUMENTS

D565,447	S *	4/2008	Hornig	D10/113.1
D568,194	S *	5/2008	Vojinovic	D10/109.2
D569,755	S *	5/2008	Humble	D10/113.1
D574,283	S *	8/2008	Anderson	D10/106.1
D586,670	S *	2/2009	Playford	D10/49
D660,737	S *	5/2012	O'Keefe	D10/113.4
D782,354	S *	3/2017	Lovin	D10/101
D794,485	S *	8/2017	Boisse	D10/114.2
D880,324	S *	4/2020	Greenwood	D10/104.1
D884,535	S *	5/2020	Greenwood	D10/104.1
D896,673	S *	9/2020	Brainard	D10/106.2
D939,990	S *	1/2022	Greenwood	D10/104.1
D944,675	S *	3/2022	Greenwood	D10/104.1
D960,741	S *	8/2022	Robotham	D10/104.1
2014/0009301	A1 *	1/2014	Robotham	G08B 5/38 340/691.1
2015/0167928	A1 *	6/2015	Greenwood	F21V 33/0076 362/346
2020/0124239	A1 *	4/2020	Greenwood	G08B 17/103

* cited by examiner

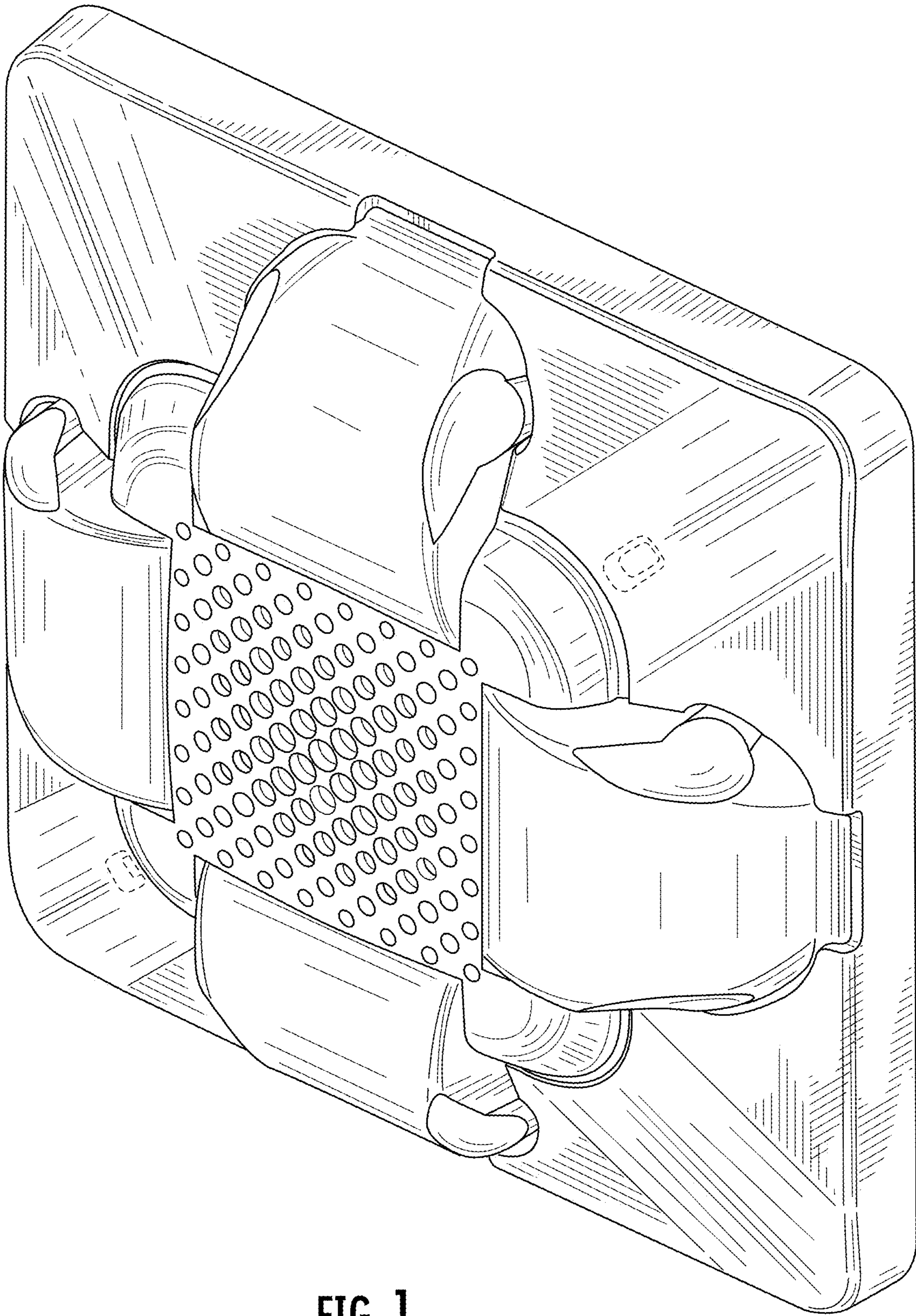


FIG. 1

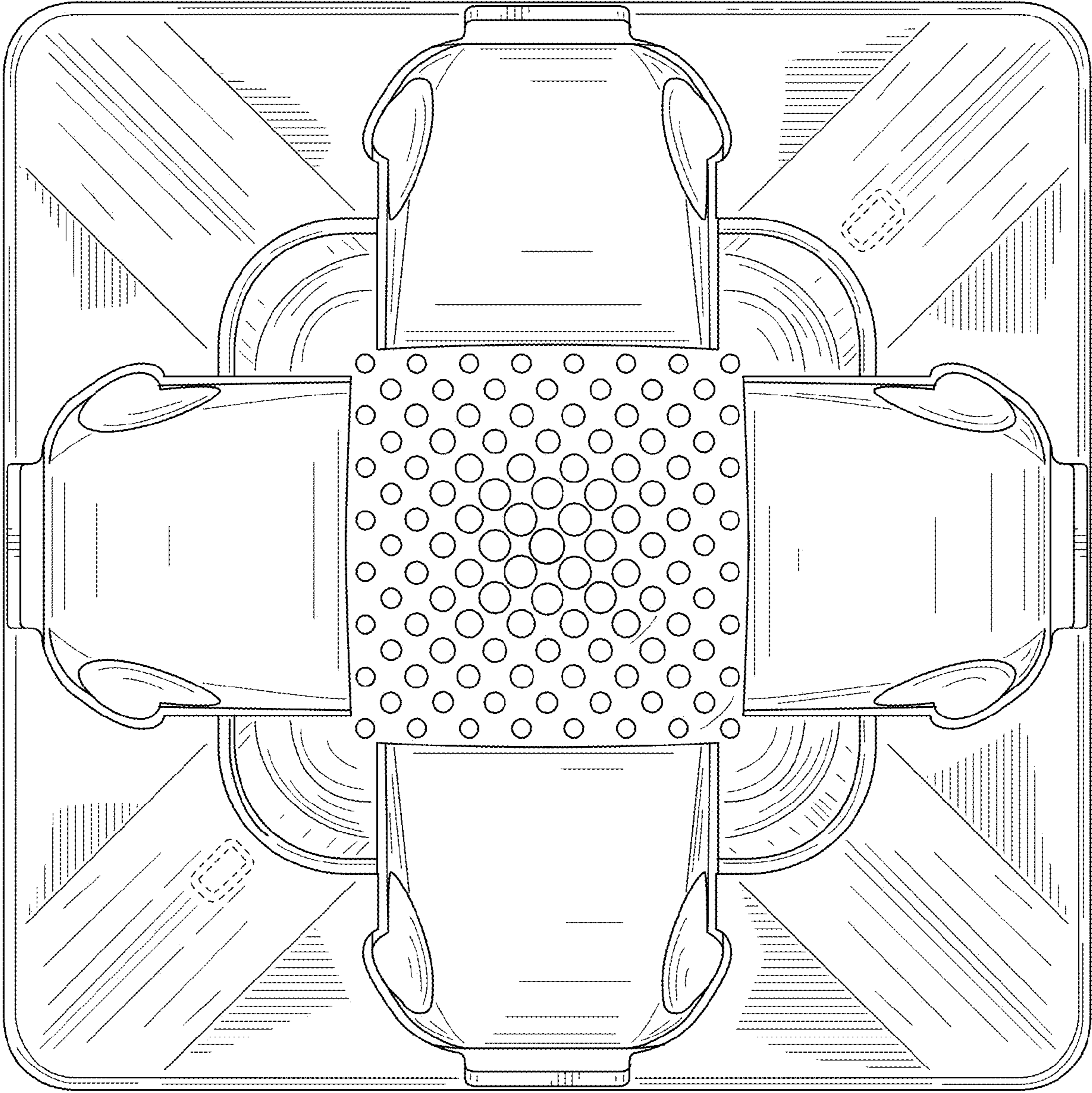


FIG. 2

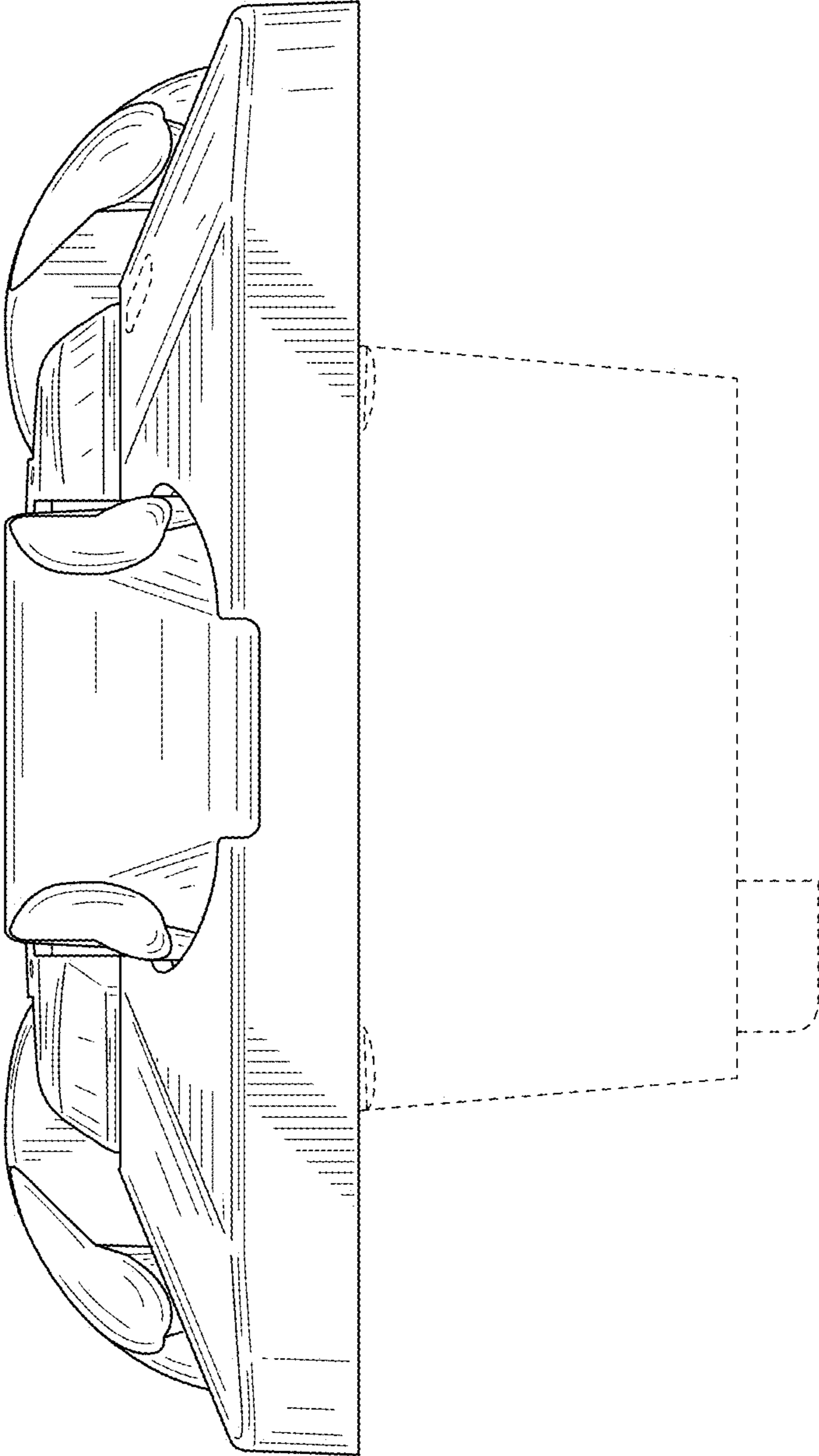


FIG. 3

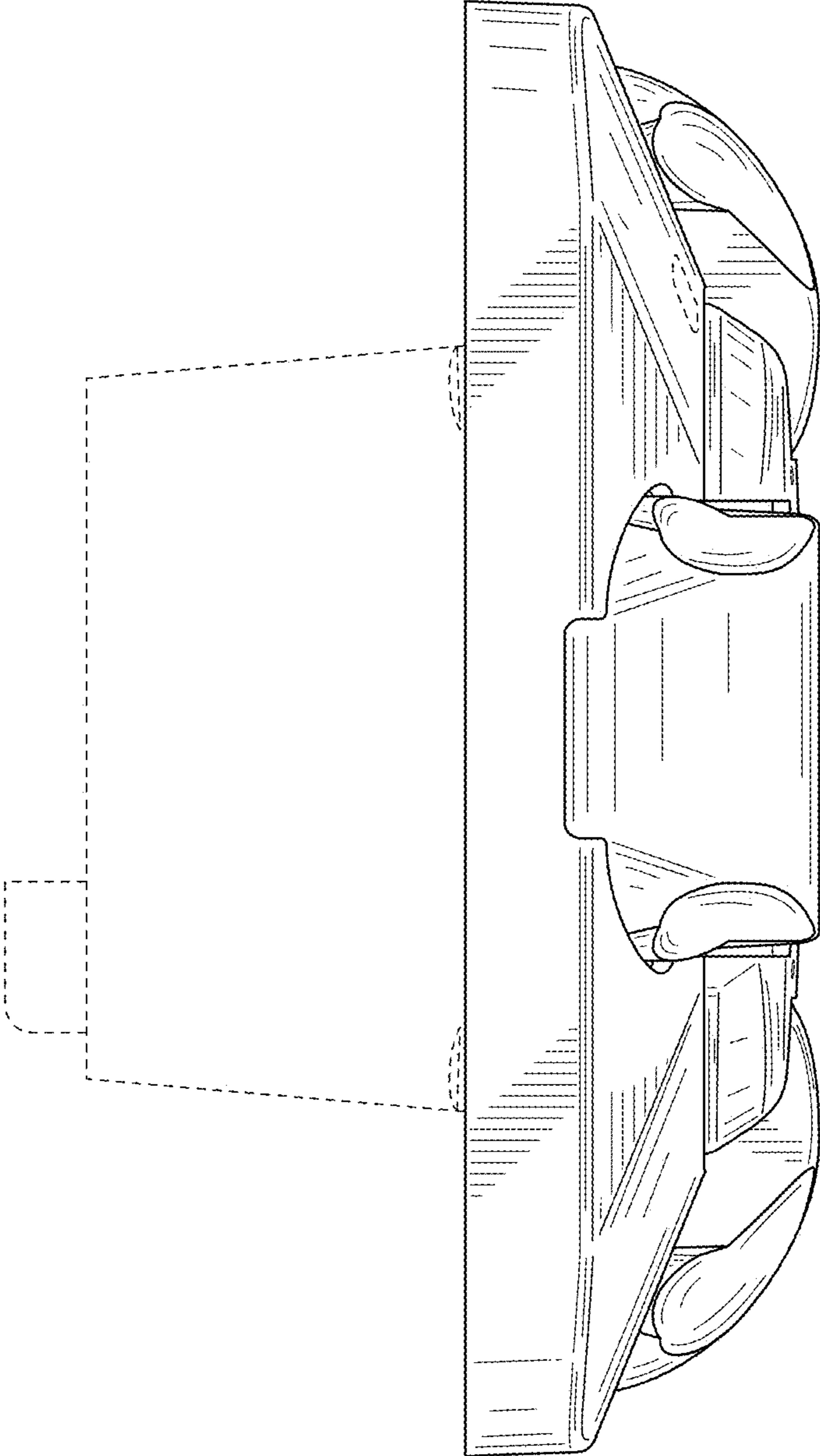


FIG. 4

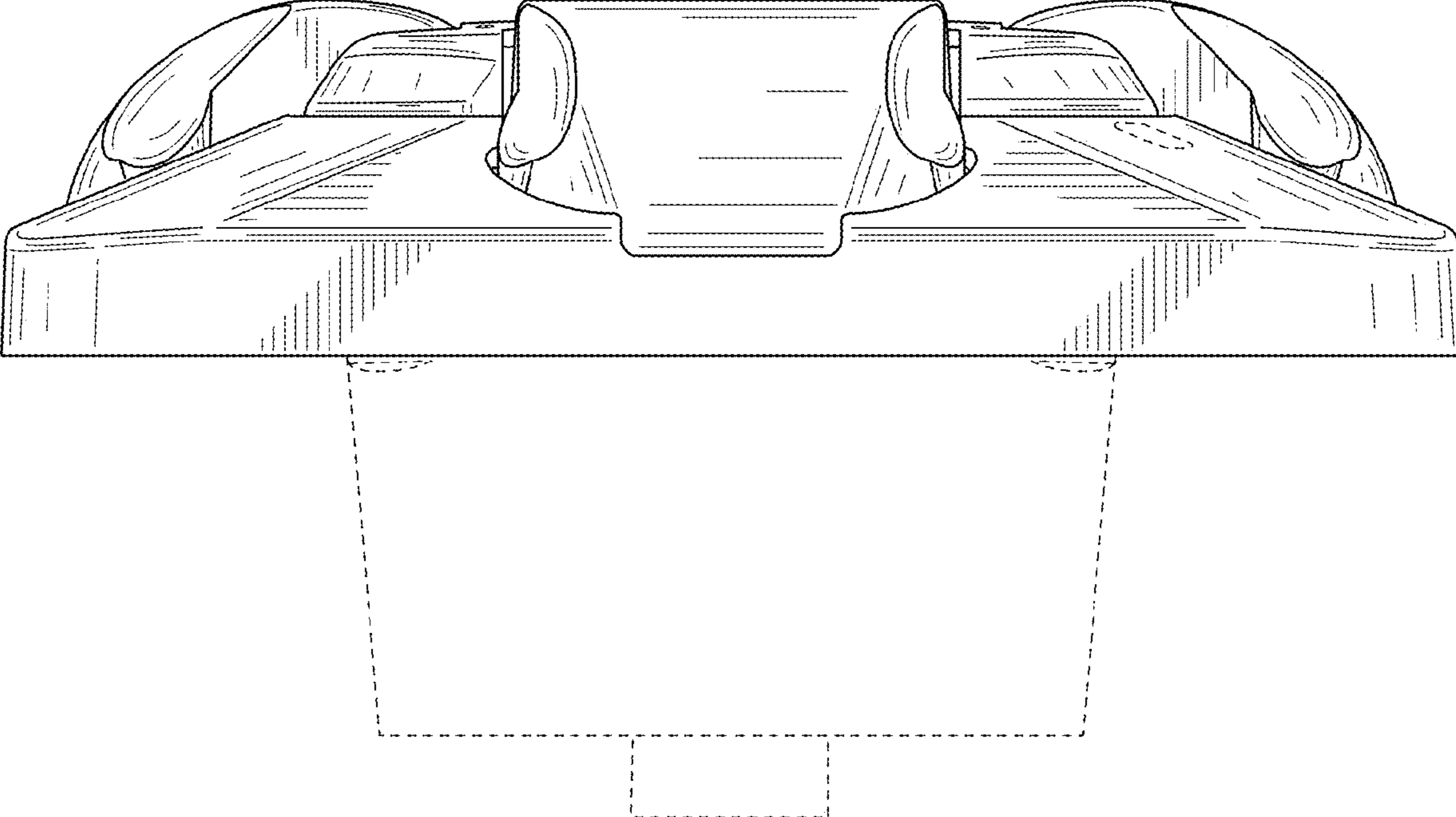


FIG. 5

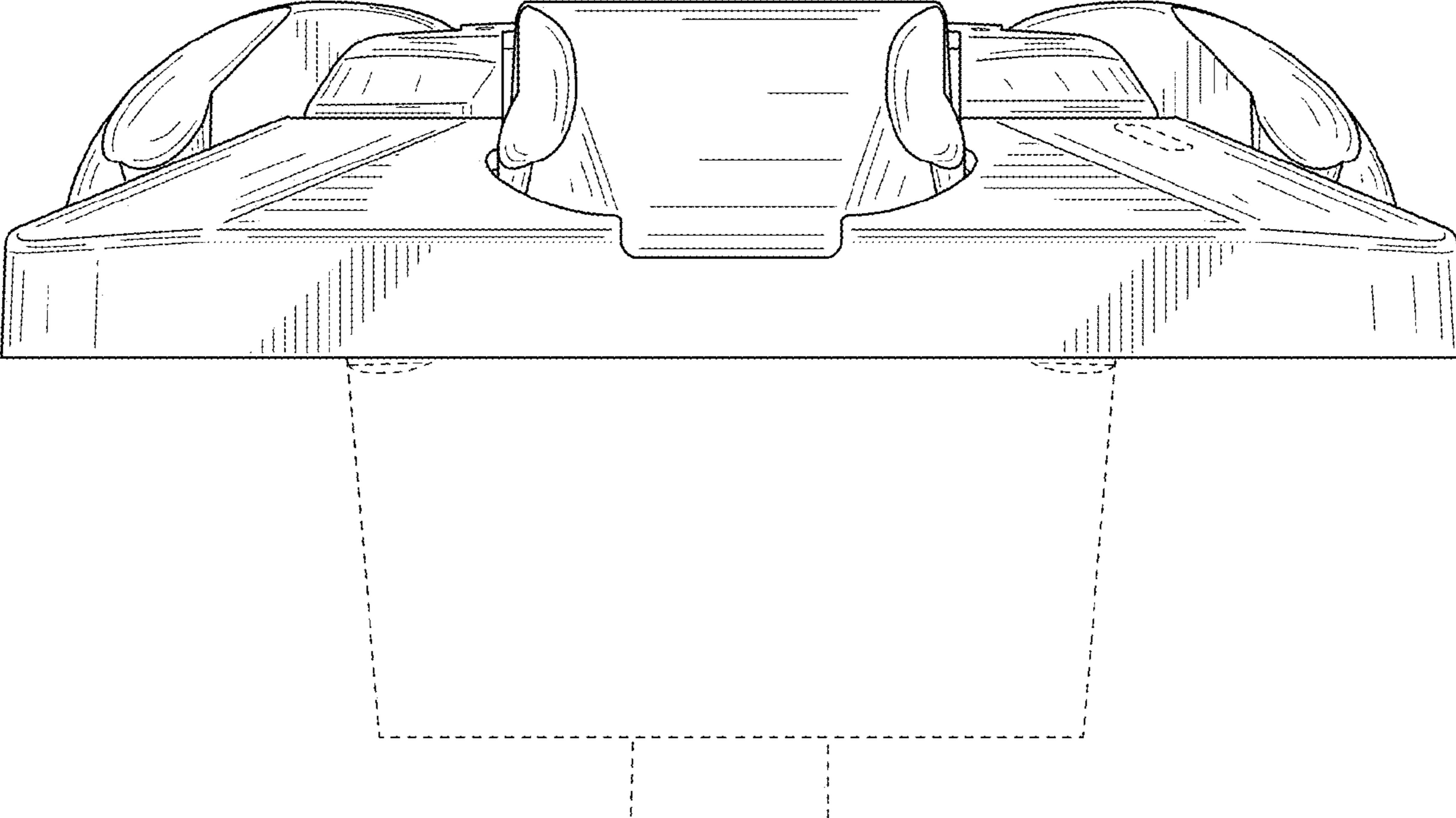


FIG. 6

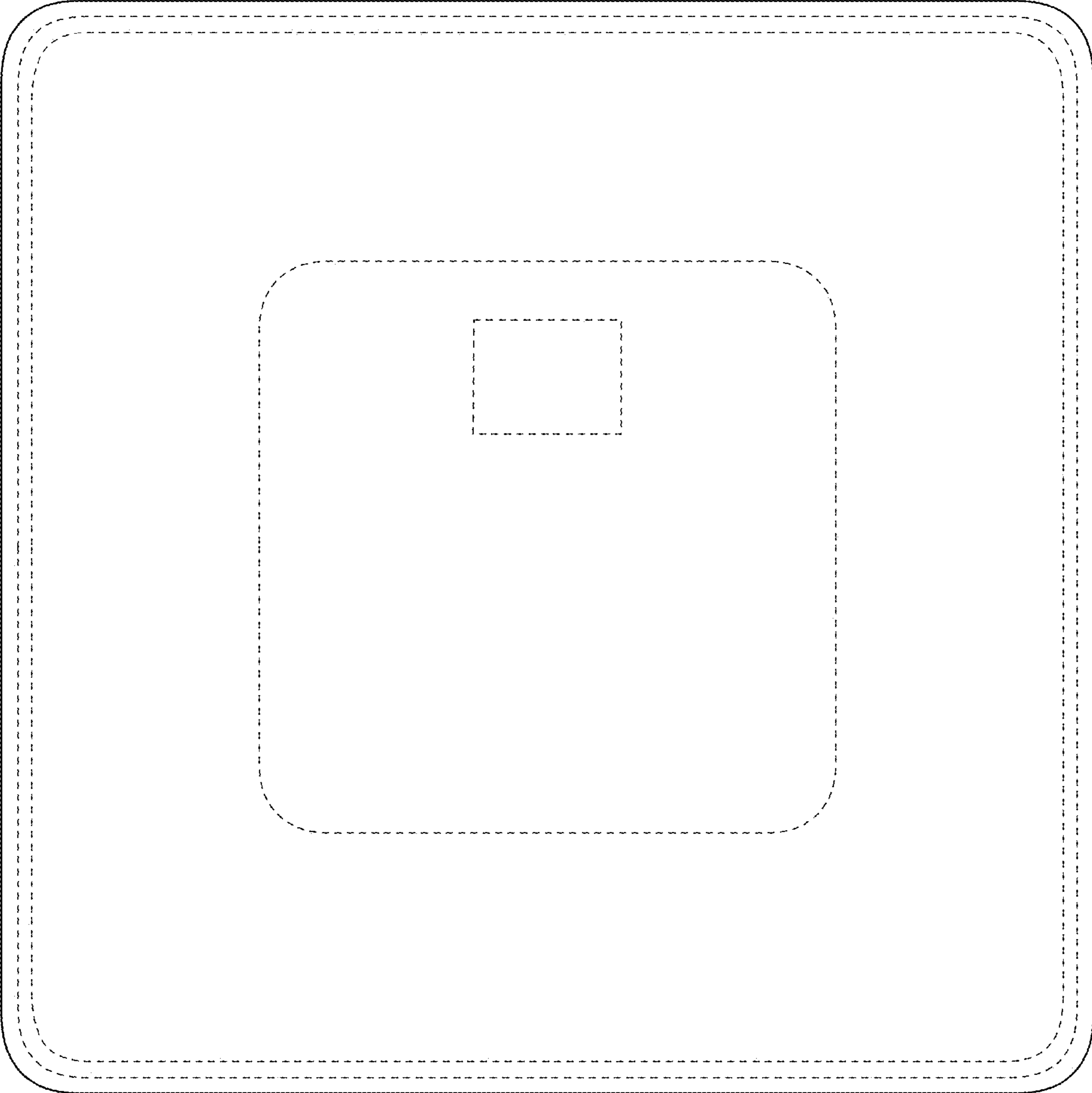


FIG. 7