



US00D977351S

(12) **United States Design Patent**
Wang

(10) **Patent No.:** **US D977,351 S**

(45) **Date of Patent:** **** *Feb. 7, 2023**

(54) **VEHICLE CALIBRATING AND ALIGNING APPARATUS**

(71) Applicant: **AUTEL INTELLIGENT TECHNOLOGY CORP., LTD.**,
Guangdong (CN)

(72) Inventor: **Yongshuai Wang**, Guangdong (CN)

(73) Assignee: **AUTEL INTELLIGENT TECHNOLOGY CORP., LTD.**,
Guangdong (CN)

(*) Notice: This patent is subject to a terminal disclaimer.

(**) Term: **15 Years**

(21) Appl. No.: **29/770,834**

(22) Filed: **Feb. 17, 2021**

(30) **Foreign Application Priority Data**

Sep. 11, 2020 (CN) 202030539808.3

(51) **LOC (14) Cl.** **10-04**

(52) **U.S. Cl.**
USPC **D10/103**; D15/122; D8/499

(58) **Field of Classification Search**
USPC D10/46, 65, 70, 103; D8/349, 354, 499;
D15/122, 199

CPC G01B 11/272; G01B 11/2755; G01B 2210/30; G01B 2210/303; G01B 2210/28; G01B 2210/12; G01B 11/27; G01C 25/00; G01M 11/00; G01M 11/007; G01M 11/013; G01M 11/061; G01M 11/064; G01M 11/067; G01M 17/007; G01M 17/0078; G01S 7/40; G01S 7/4026; G01S 7/4972; G01S 7/4086; G01S 13/931; G01S 17/931; G01S 17/023; G01S 17/936; G01S 7/52004; G01S 2013/93274; G01S 15/931; G08G 1/16; G08G 1/161; G08G 1/162; G08G

1/163; G08G 1/164; G08G 1/165; G08G 1/166; G08G 1/167; G08G 1/168; H04N 5/232; H04N 5/33; H04N 7/183; B60W 50/0205; B60W 50/045; B60W 2050/046; B60W 2050/021; B60W 50/14; B60W 50/04; B60W 2550/10; B60W 2050/0215; B60W 2050/0089; B60W 2050/0083; G05D 1/0061; G05D 1/0011; G06T 1/20; G06T 15/04; G06T 15/005;

(Continued)

(56) **References Cited**

U.S. PATENT DOCUMENTS

3,841,759 A * 10/1974 Turner G01M 11/062
356/121

D863,079 S * 10/2019 Cai D10/65

(Continued)

FOREIGN PATENT DOCUMENTS

CN 111336364 A * 6/2020 F16M 11/04
CN 212379562 U * 1/2021

(Continued)

Primary Examiner — Antoine Duval Davis

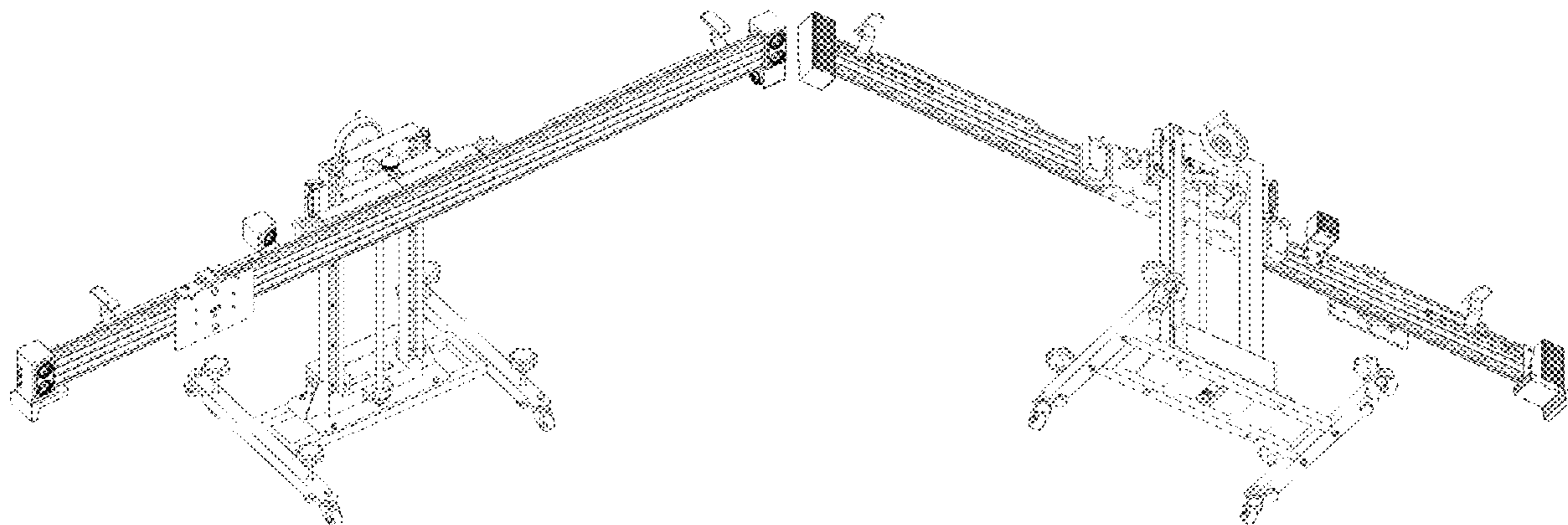
(57) **CLAIM**

I claim the ornamental design for a vehicle calibrating and aligning apparatus, as shown and described.

DESCRIPTION

FIG. 1 is a front elevational view of a vehicle calibrating and aligning apparatus device showing our new design; FIG. 2 is a back elevational view thereof; FIG. 3 is a left side elevational view thereof; FIG. 4 is a right side elevational view thereof; FIG. 5 is a top plan view thereof; FIG. 6 is a bottom plan view thereof; FIG. 7 is a first perspective view thereof; and, FIG. 8 is a second perspective view thereof.

1 Claim, 8 Drawing Sheets



(58) **Field of Classification Search**

CPC G06T 7/00; G06T 11/001; G06T 11/40;
 G06T 2207/10024; G09G 5/397; G09G
 5/395; G09G 5/363; G09G 5/02; G09G
 2360/18; G09G 2360/08; B60R 2300/00;
 G06F 7/00; B60T 7/22; B60T 7/18; B60T
 8/34; B60T 13/745; B60T 2201/022;
 B60T 7/16; G09B 19/14; F16H 7/14;
 G01L 5/28

See application file for complete search history.

2019/0331482 A1* 10/2019 Lawrence G01S 7/4026
 2020/0141724 A1* 5/2020 Lawrence G01B 11/272
 2020/0147800 A1* 5/2020 Chen B25J 9/1692
 2020/0150224 A1* 5/2020 Cejka G01S 13/931
 2020/0174097 A1* 6/2020 Wang G01S 7/40
 2020/0256952 A1* 8/2020 Qiu G01S 7/4056
 2020/0271267 A1* 8/2020 Govekar F16M 11/046
 2020/0319298 A1* 10/2020 Wang G01S 7/40
 2020/0355792 A1* 11/2020 Tang G01S 13/865
 2020/0400782 A1* 12/2020 Tang G01S 7/4017
 2021/0069872 A1* 3/2021 Wang G01S 7/4026
 2021/0132203 A1* 5/2021 Lai F16M 11/38
 2021/0381638 A1* 12/2021 Lai F16M 11/42
 2022/0049954 A1* 2/2022 Lai G01S 7/497

(56) **References Cited**

U.S. PATENT DOCUMENTS

D883,119 S * 5/2020 Cai D10/103
 D883,120 S * 5/2020 Cai D10/103
 D883,121 S * 5/2020 Cai D10/103
 D883,122 S * 5/2020 Cai D10/103
 D883,123 S * 5/2020 Cai D10/103
 D924,666 S * 7/2021 Brown G01S 7/40
 D8/349
 D935,926 S * 11/2021 Wang F16M 11/046
 D10/103
 D937,111 S * 11/2021 Wang G01S 7/4056
 D10/103

FOREIGN PATENT DOCUMENTS

CN 112578348 A * 3/2021 F16M 11/045
 CN 112578349 A * 3/2021 B25B 11/00
 CN 113588293 A * 11/2021 G01M 11/064
 CN 113701787 A * 11/2021 G01B 11/272
 CN 113966458 A * 1/2022 G01B 11/272
 EP 3742192 A1 * 11/2020
 EP 3945300 A1 * 2/2022
 GB 2307312 A * 5/1997 G01M 11/064
 WO WO-2018167809 A1 * 9/2018 G01B 11/272
 WO WO-2021190362 A1 * 9/2021 F16M 11/04

* cited by examiner

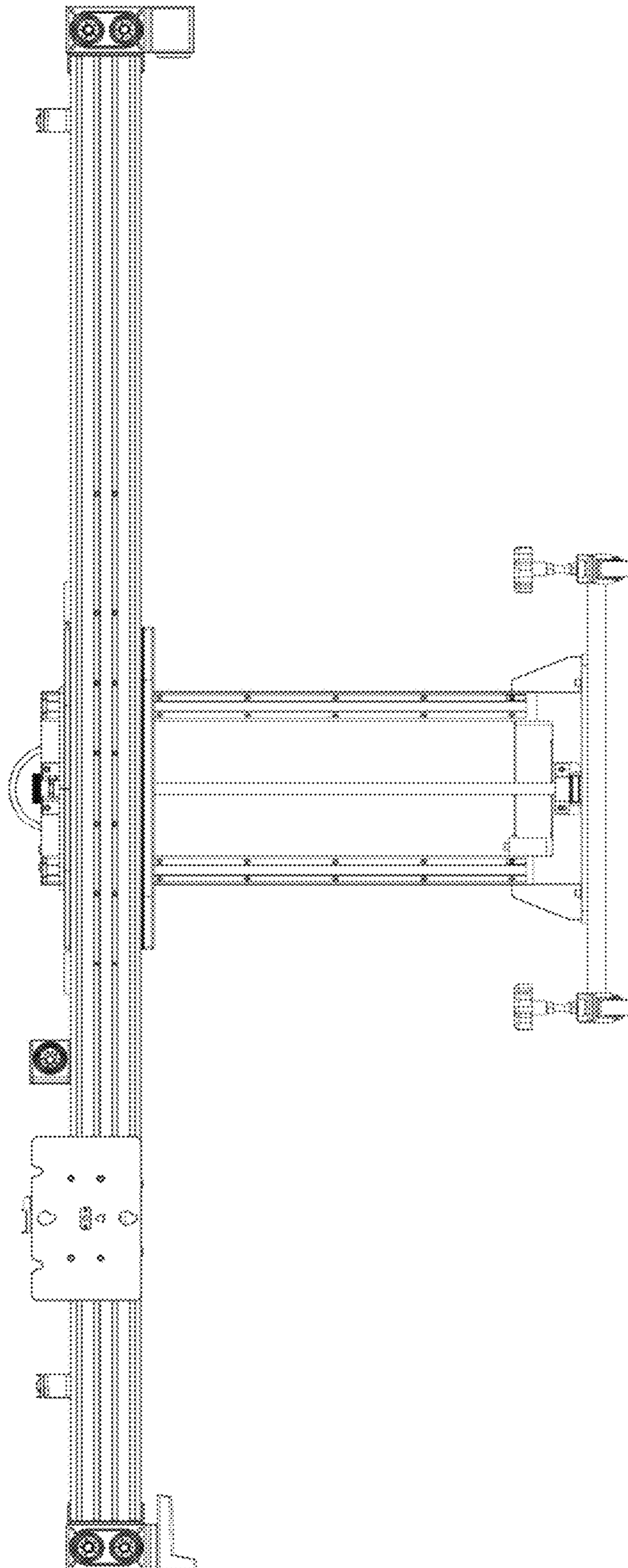


FIG. 1

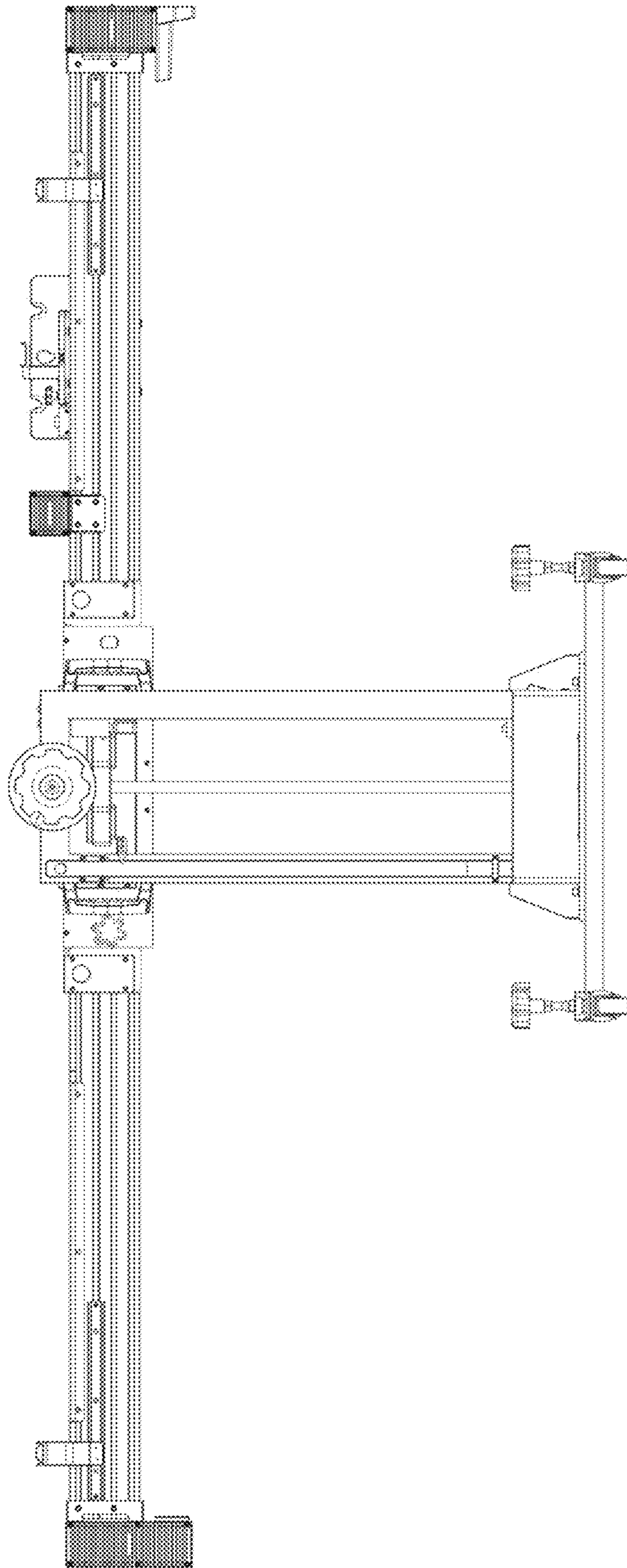


FIG 2

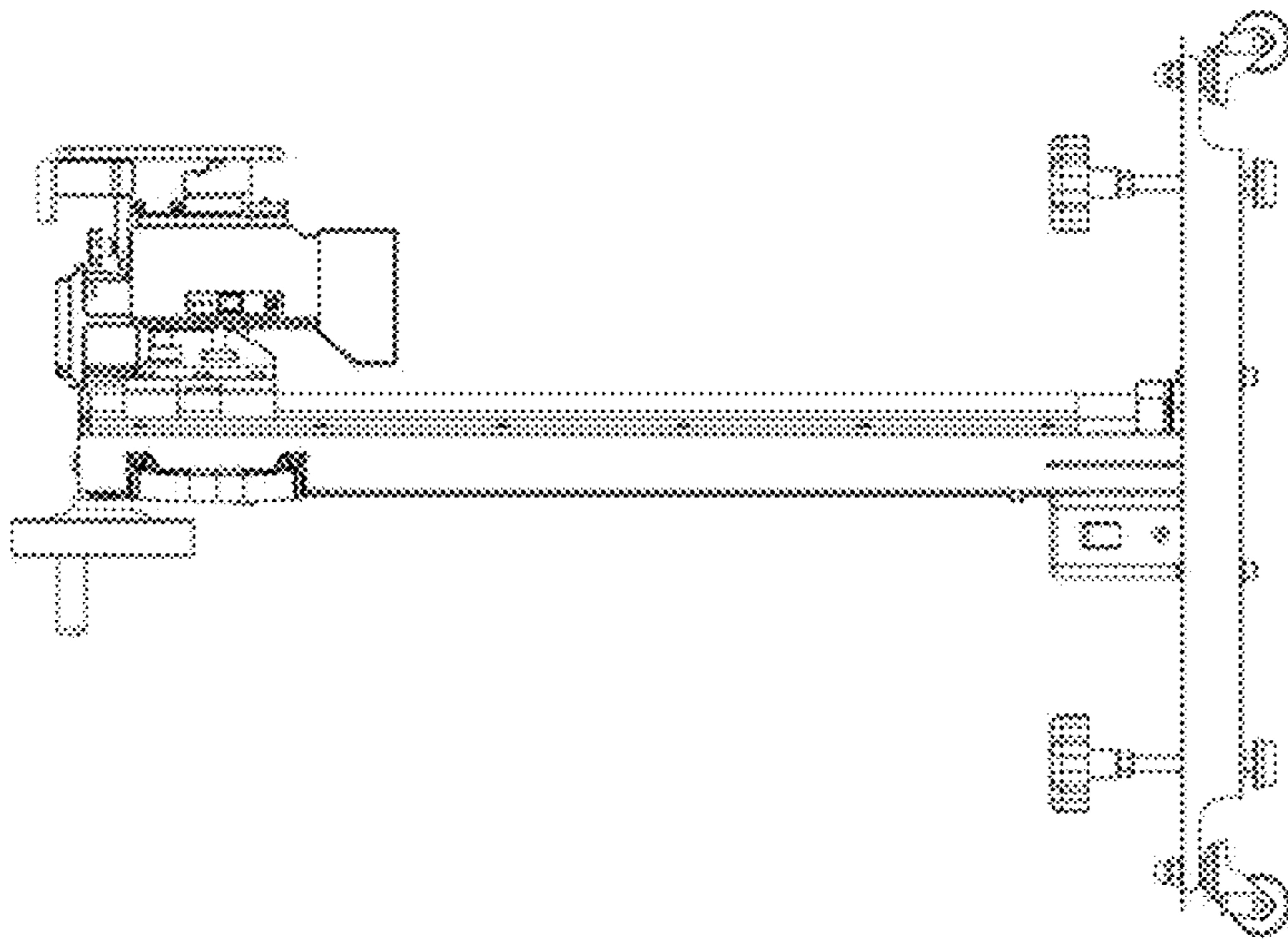


FIG 3

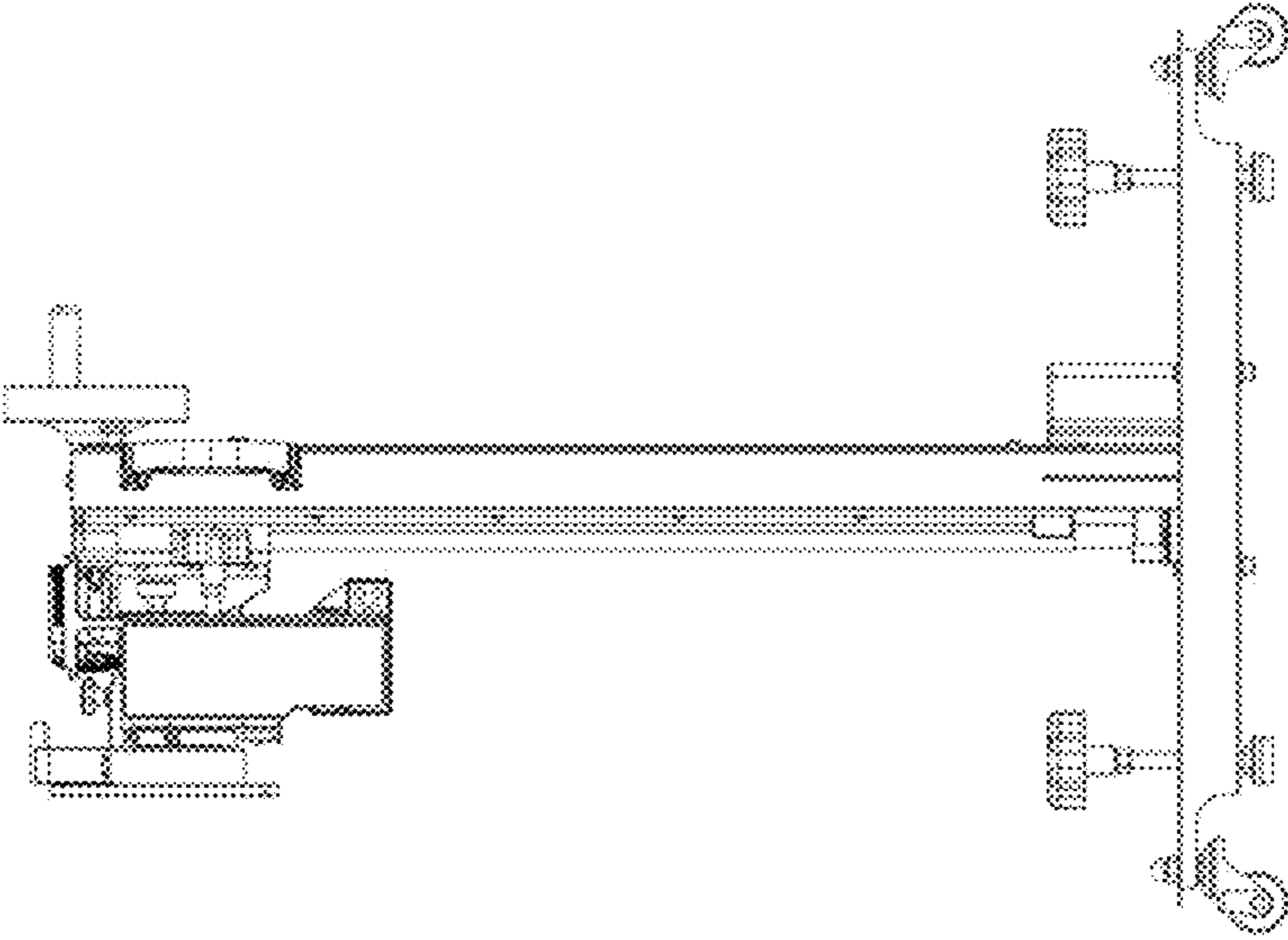


FIG. 4

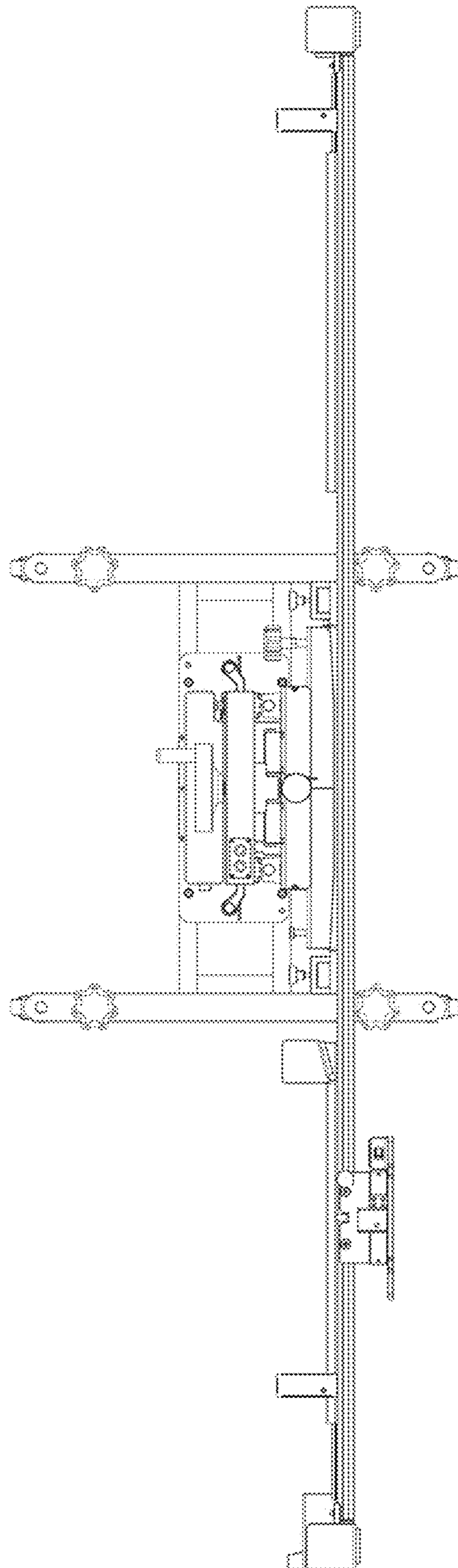


FIG. 5

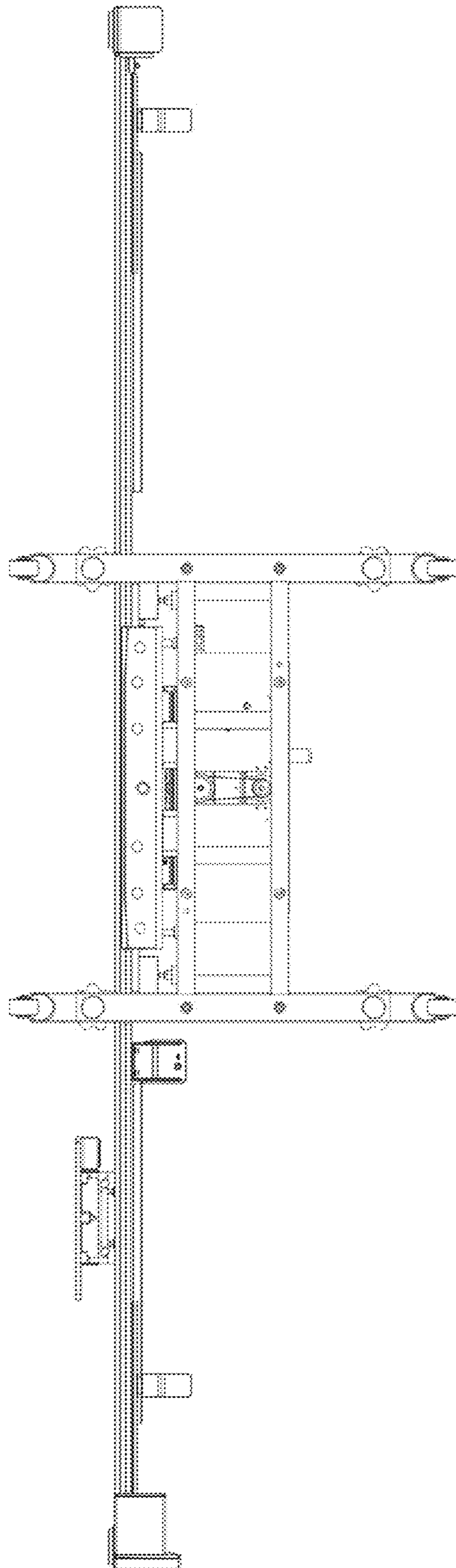


FIG. 6

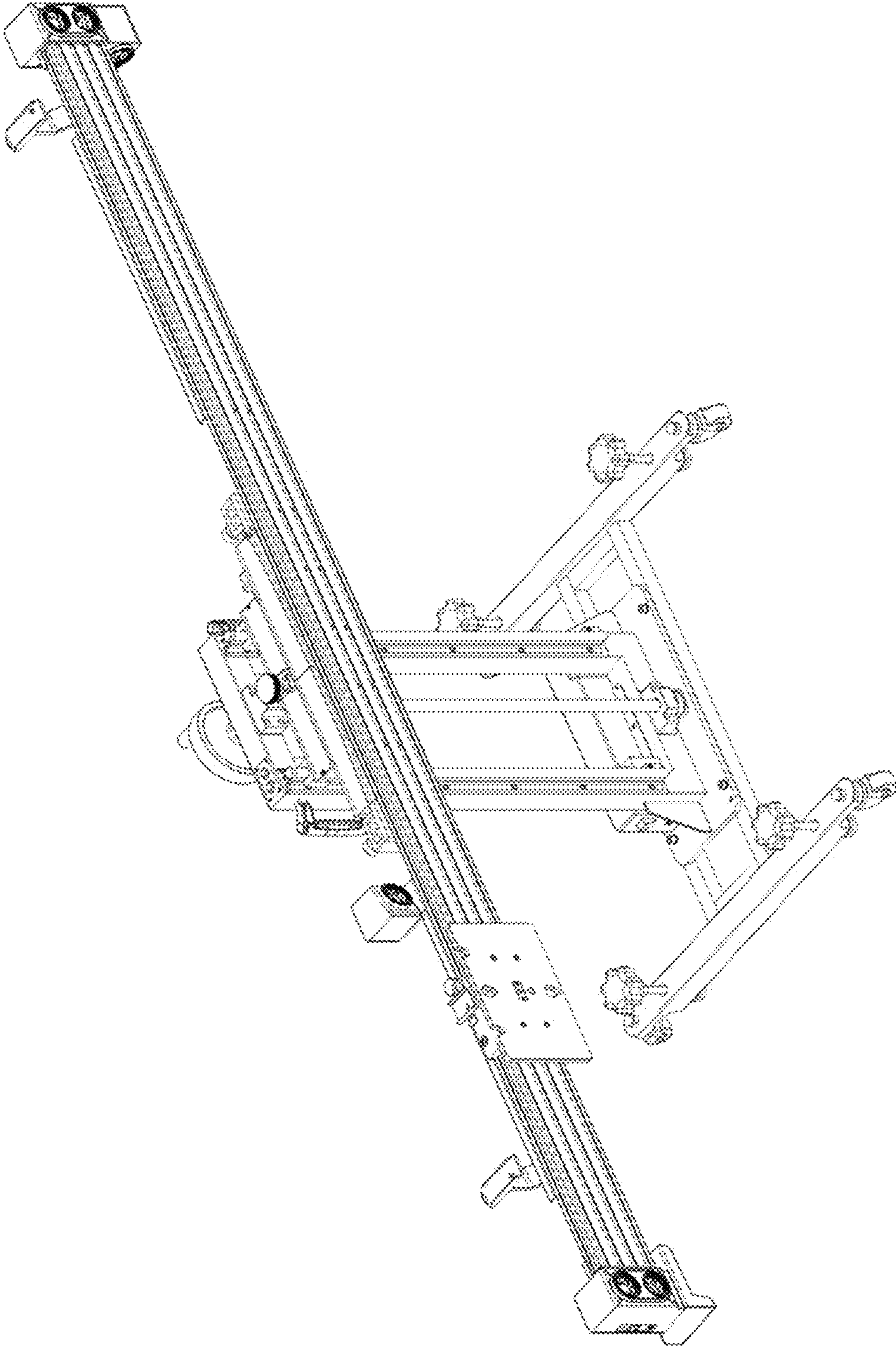


FIG. 7

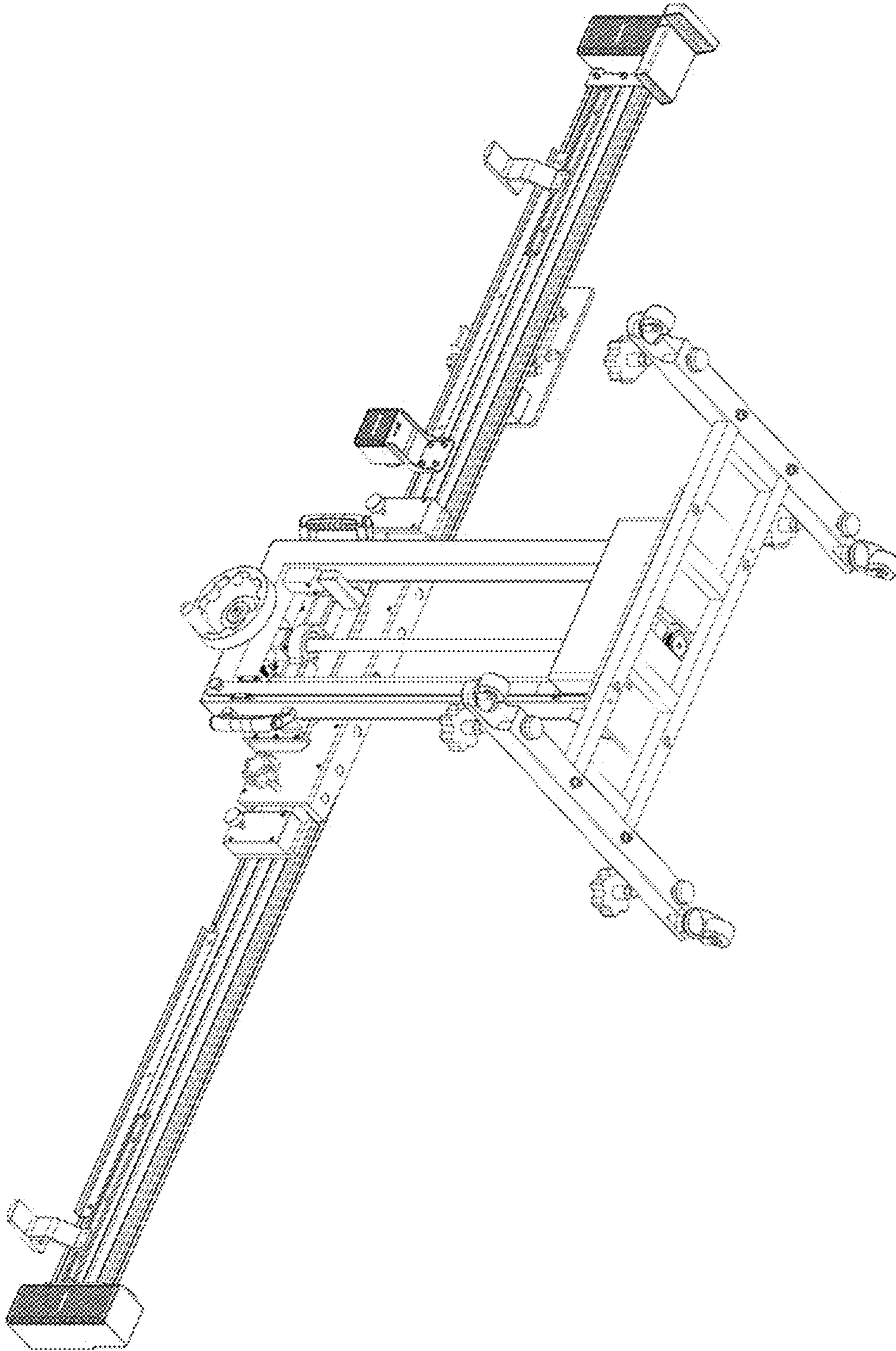


FIG. 8