



US00D977350S

(12) **United States Design Patent** (10) **Patent No.:** **US D977,350 S**
Balbuena et al. (45) **Date of Patent:** **** Feb. 7, 2023**

(54) **SENSOR**

FOREIGN PATENT DOCUMENTS

- (71) Applicant: **Caught Stealing, LLC**, Payson, AZ (US)
- (72) Inventors: **Caleb F. Balbuena**, El Dorado Hills, CA (US); **Matthew S. Ceriani**, Payson, AZ (US); **Jason W. Farris**, Gilbert, AZ (US)
- (73) Assignee: **Caught Stealing LLC**, Payson, AZ (US)
- (**) Term: **15 Years**
- (21) Appl. No.: **29/864,554**

CA	2213901	A1	*	4/1999	A63B 69/0002
CN	215876203	U	*	2/2022		
GB	2392246	A	*	2/2004	A63B 71/143
JP	2007236931	A	*	9/2007	A63B 71/143

* cited by examiner

Primary Examiner — Antoine Duval Davis
(74) *Attorney, Agent, or Firm* — IPTechLaw

(57) **CLAIM**

The ornamental design for a sensor, as shown and described.

DESCRIPTION

- (22) Filed: **Jun. 3, 2022**
- Related U.S. Application Data**
- (63) Continuation-in-part of application No. 29/766,276, filed on Jan. 14, 2021.
- (51) **LOC (14) Cl.** **10-04**
- (52) **U.S. Cl.**
USPC **D10/85**
- (58) **Field of Classification Search**
USPC D10/46, 83, 84, 85
CPC A63B 65/12; A63B 69/0002; A63B 2069/0004; A63B 2069/0011; A63B 71/141
See application file for complete search history.

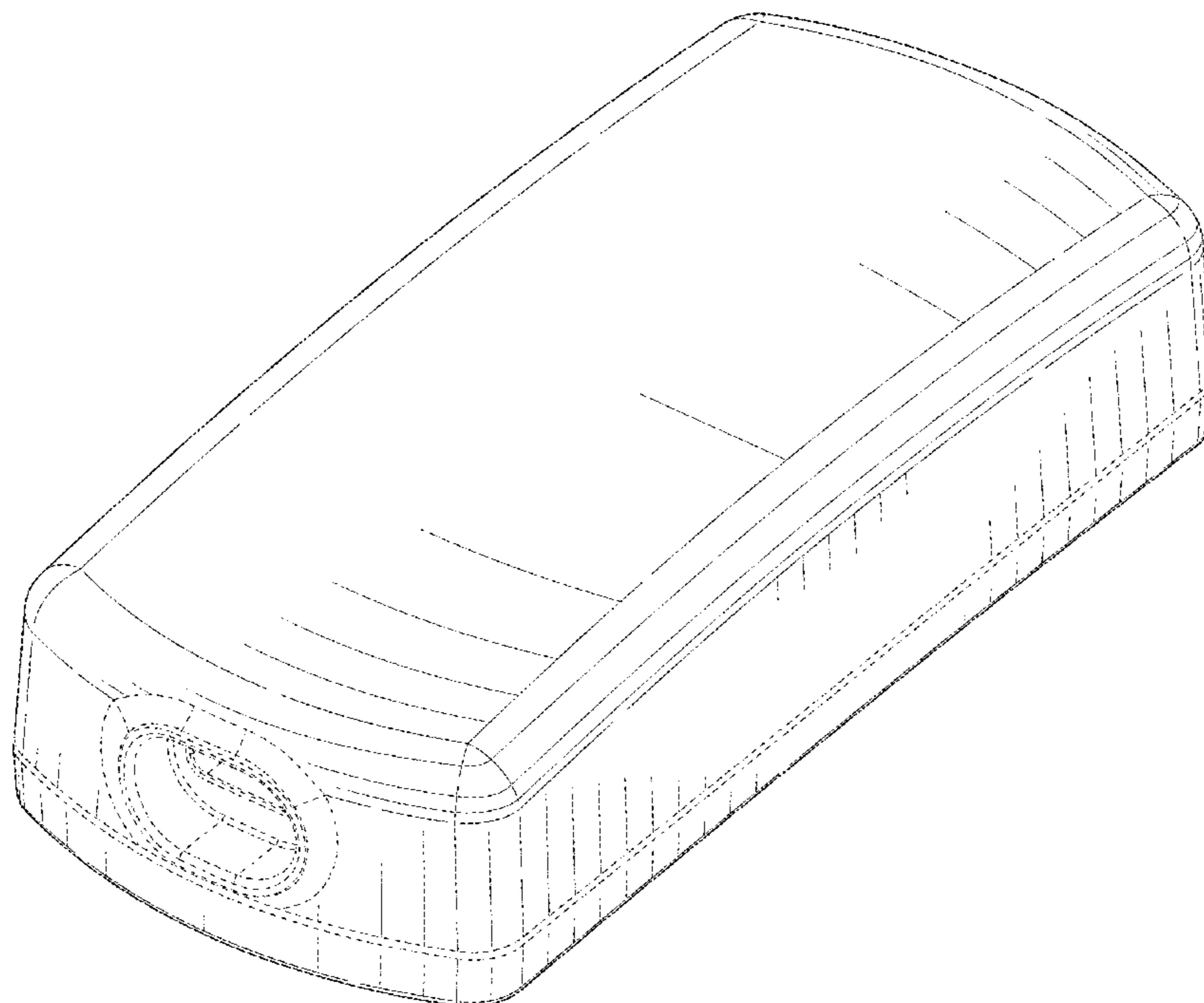
FIG. 1 is a front perspective view of an implementation of a sensor;
 FIG. 2 is a right side view thereof;
 FIG. 3 is a left side view;
 FIG. 4 is a front view thereof;
 FIG. 5 is a back view thereof;
 FIG. 6 is a top view thereof;
 FIG. 7 is a bottom view thereof;
 FIG. 8 is front perspective view of another implementation of a sensor;
 FIG. 9 is a right side view thereof;
 FIG. 10 is a left side view;
 FIG. 11 is a front view thereof;
 FIG. 12 is a back view thereof;
 FIG. 13 is a top view thereof; and,
 FIG. 14 is a bottom view thereof.
 All broken lines represent unclaimed features of the article to which the design is applied.

(56) **References Cited**

U.S. PATENT DOCUMENTS

D277,941	S	*	3/1985	Dalgren	D10/83
D400,817	S	*	11/1998	Ambar	D11/90

1 Claim, 10 Drawing Sheets



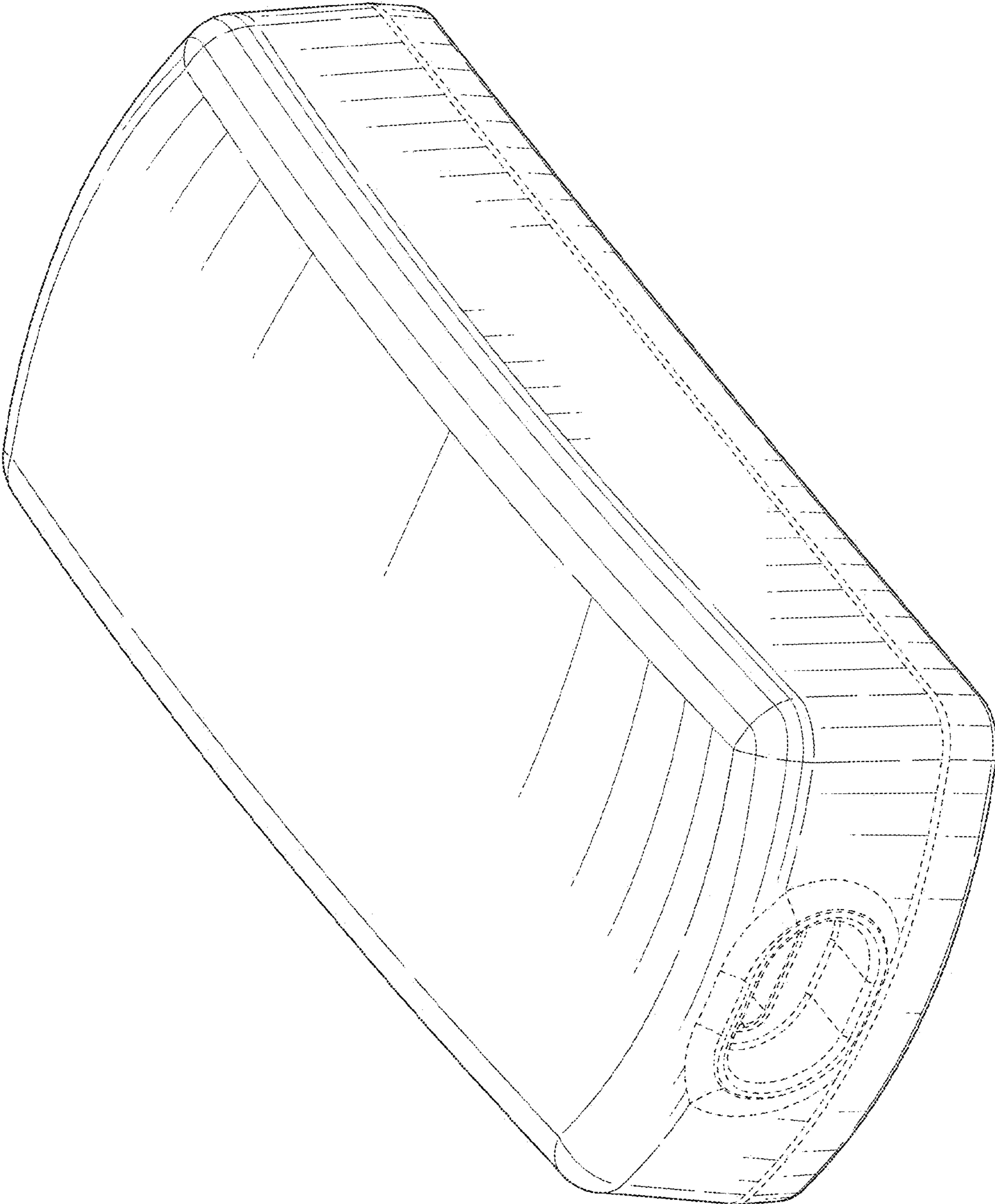


FIG. 1

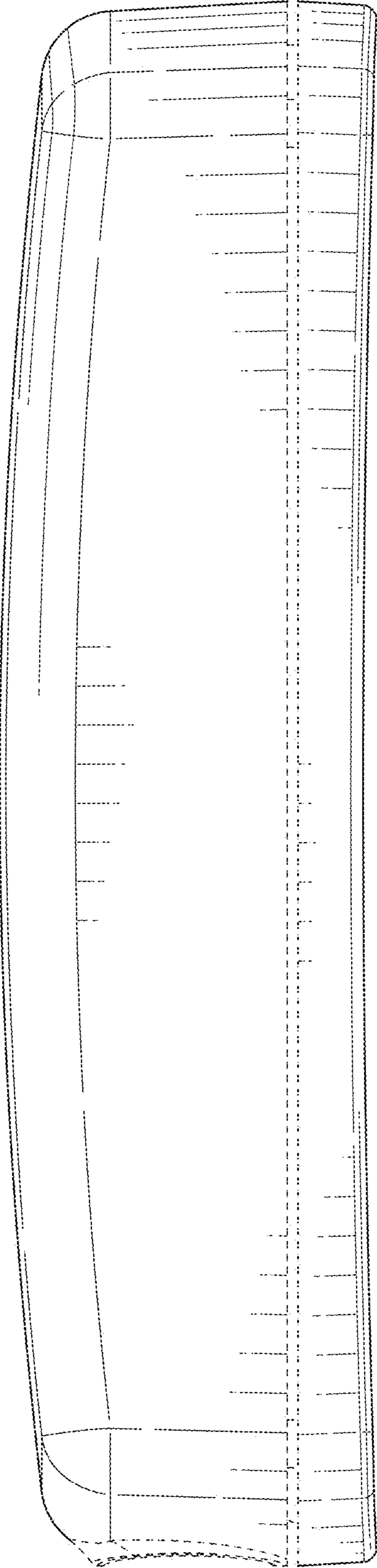


FIG. 2

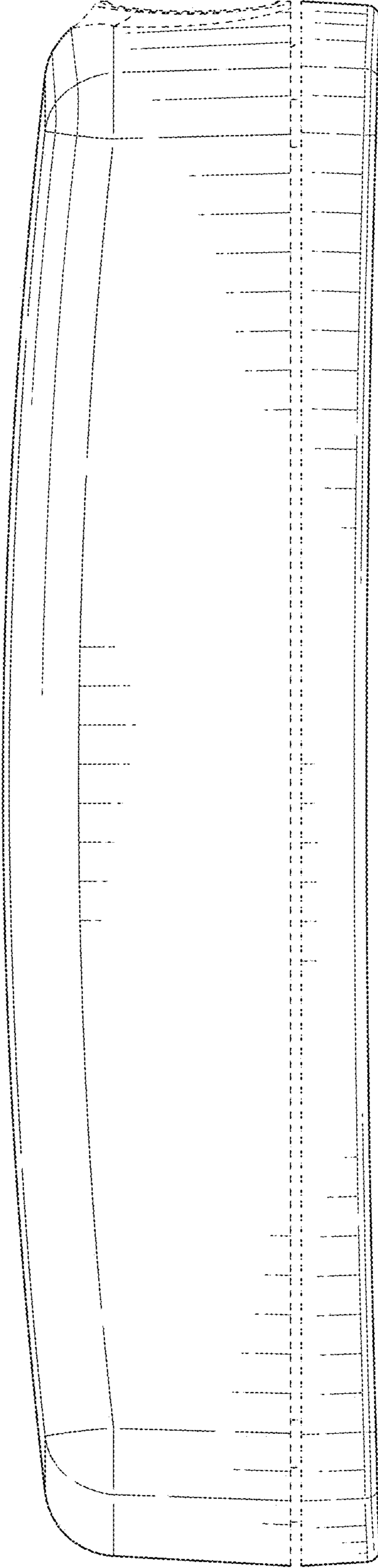


FIG. 3

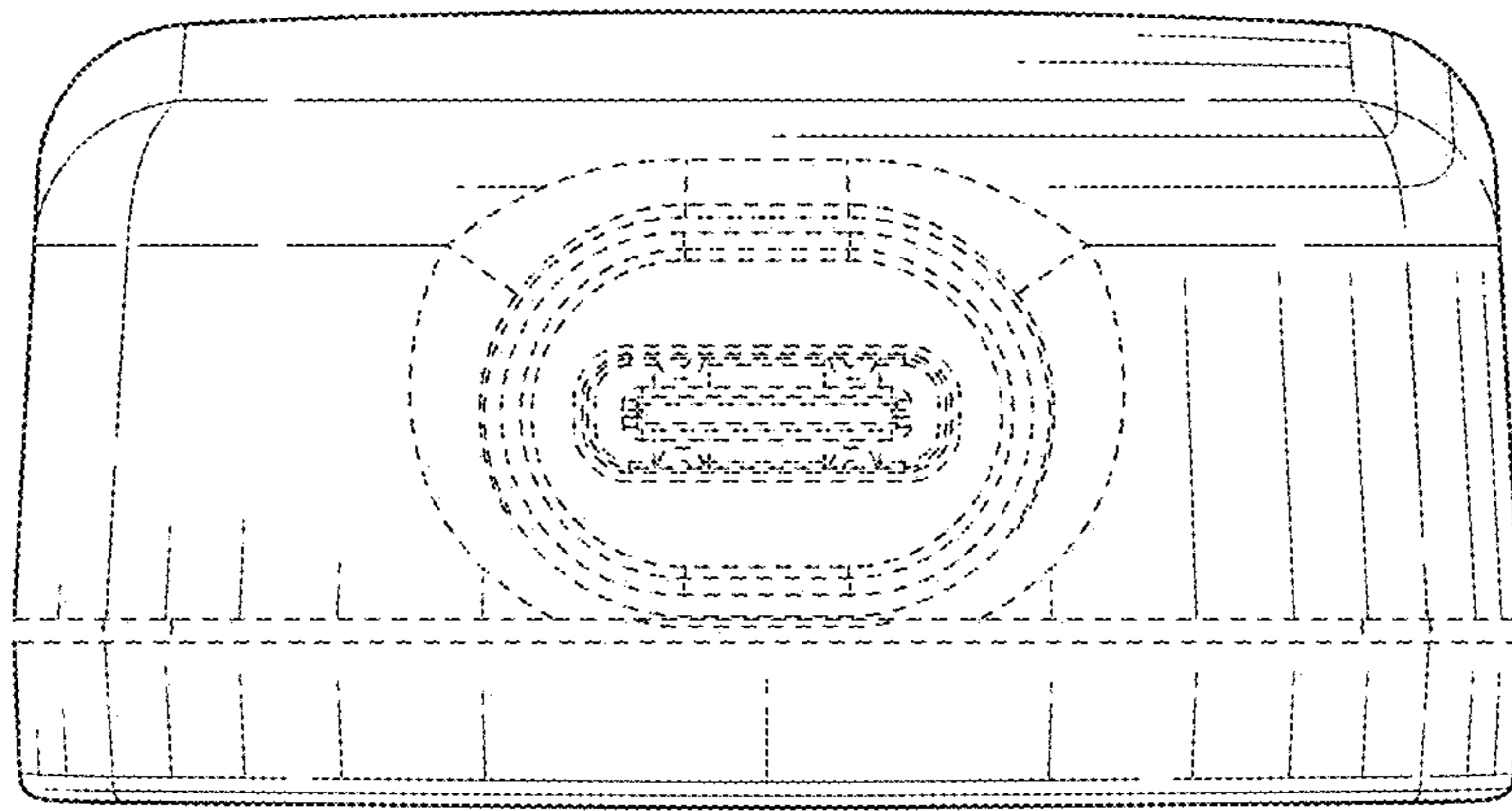


FIG. 4

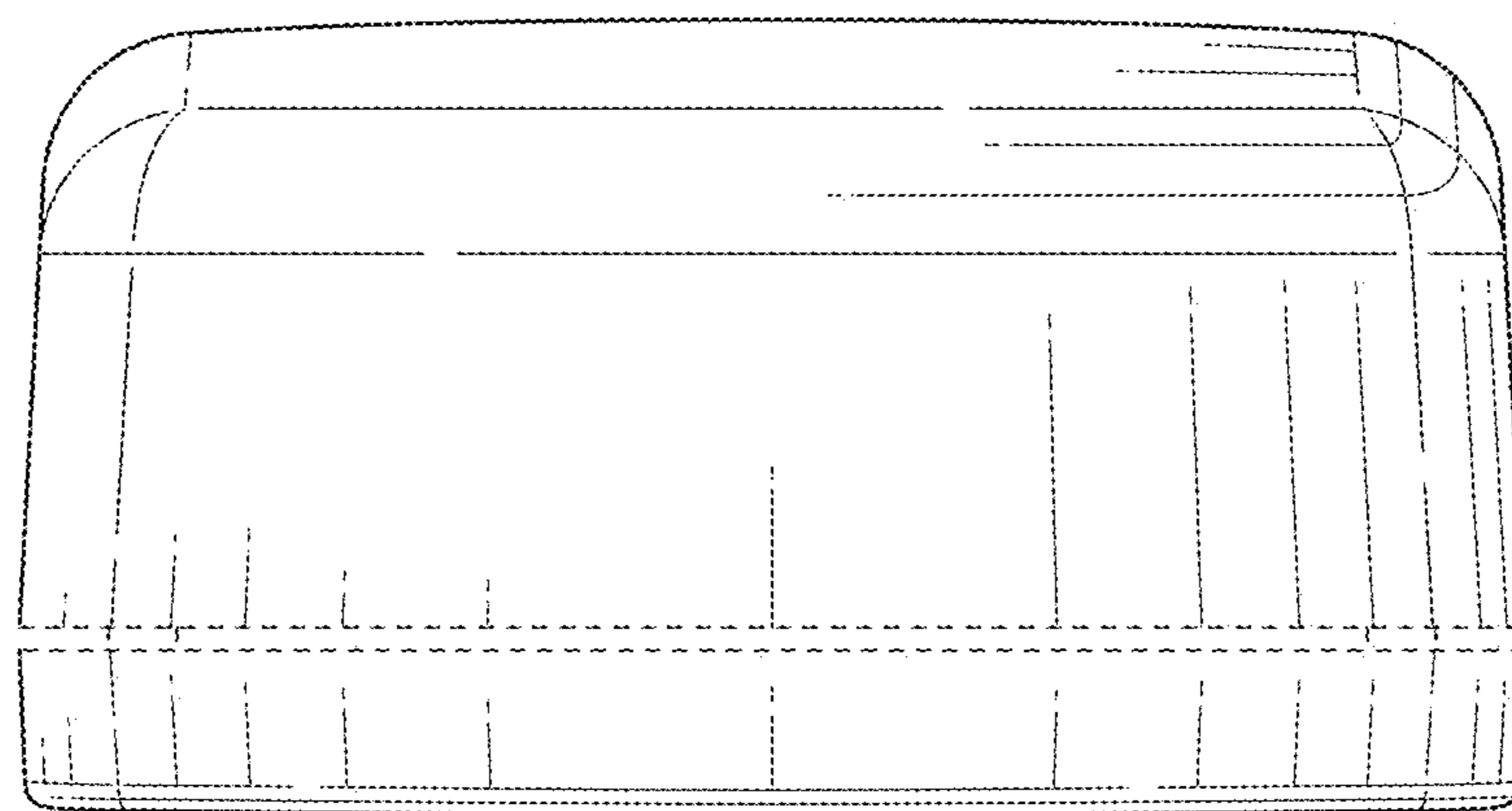


FIG. 5

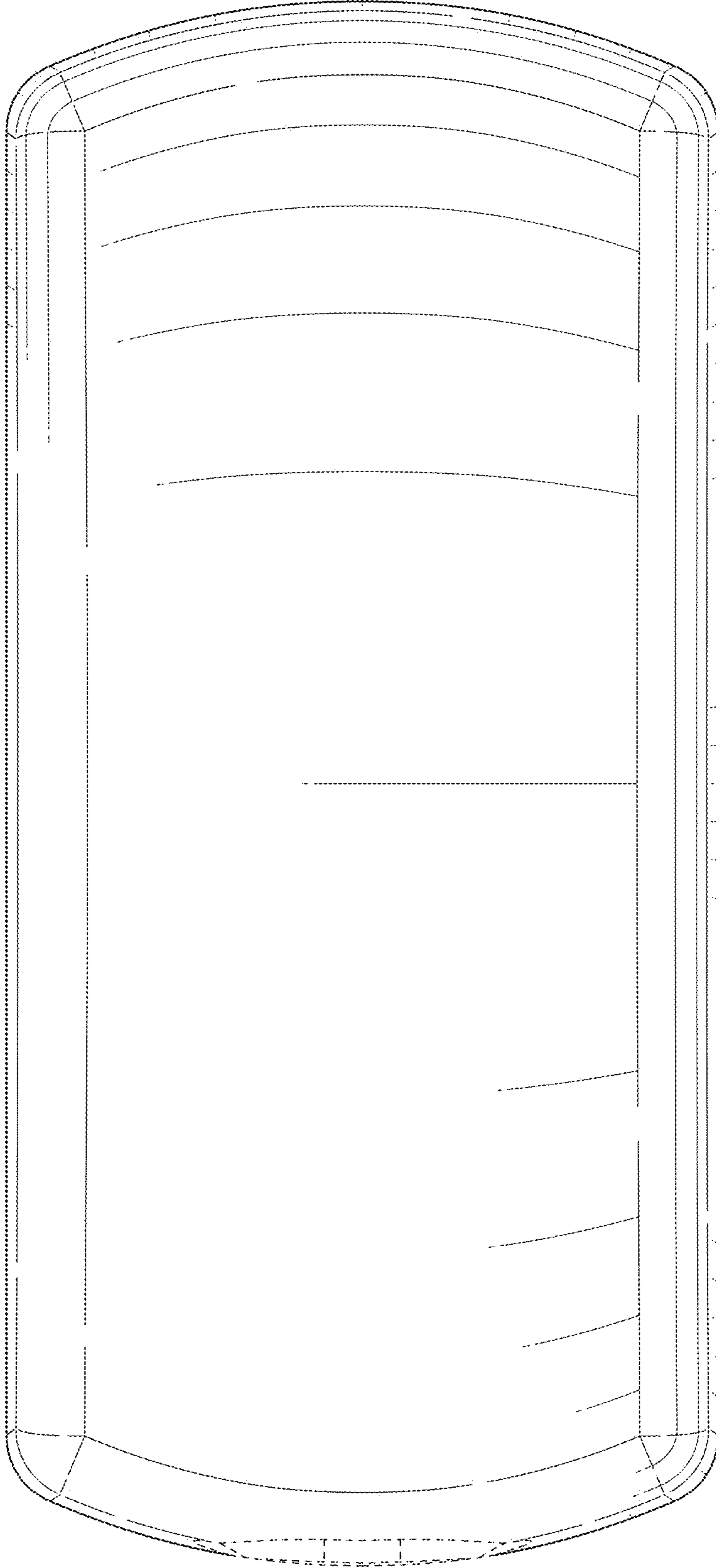


FIG. 6

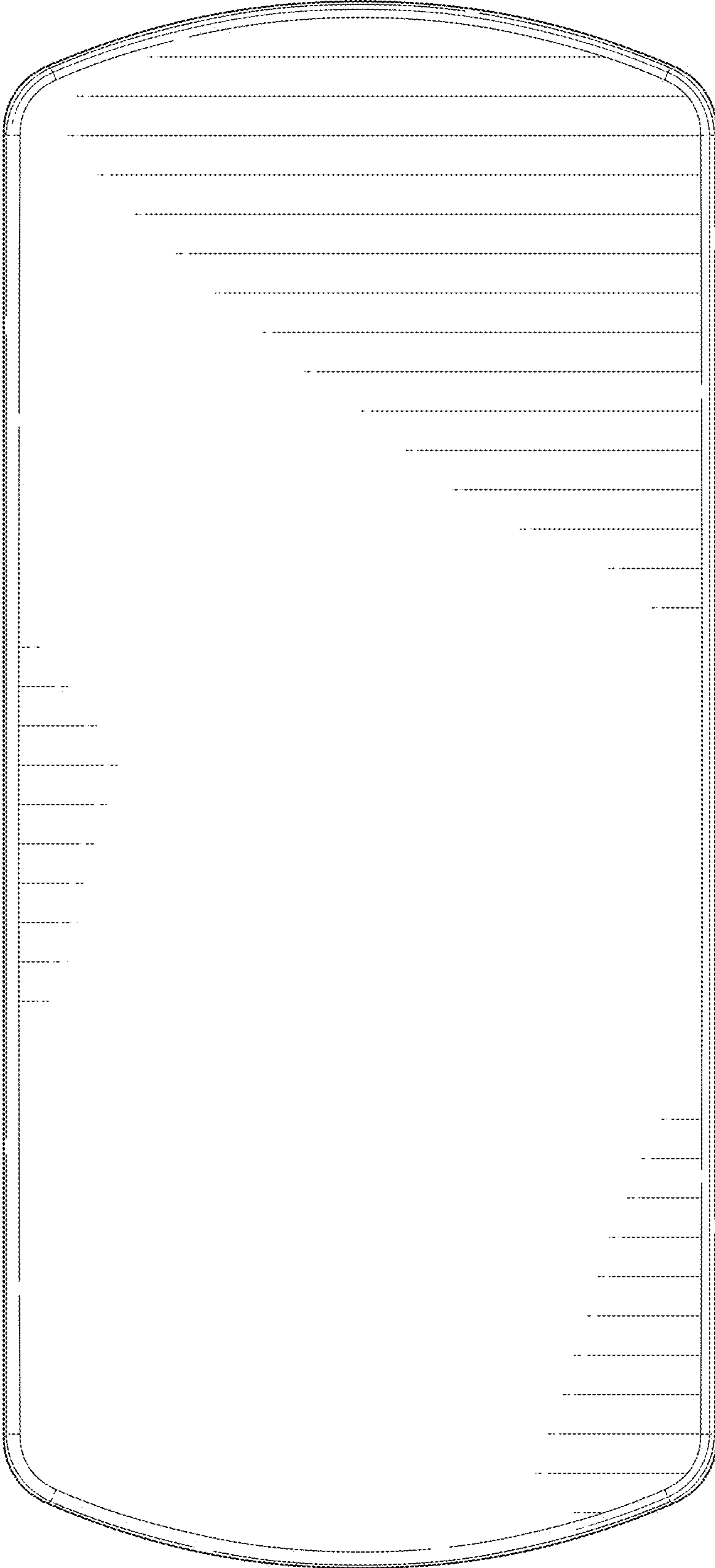


FIG. 7

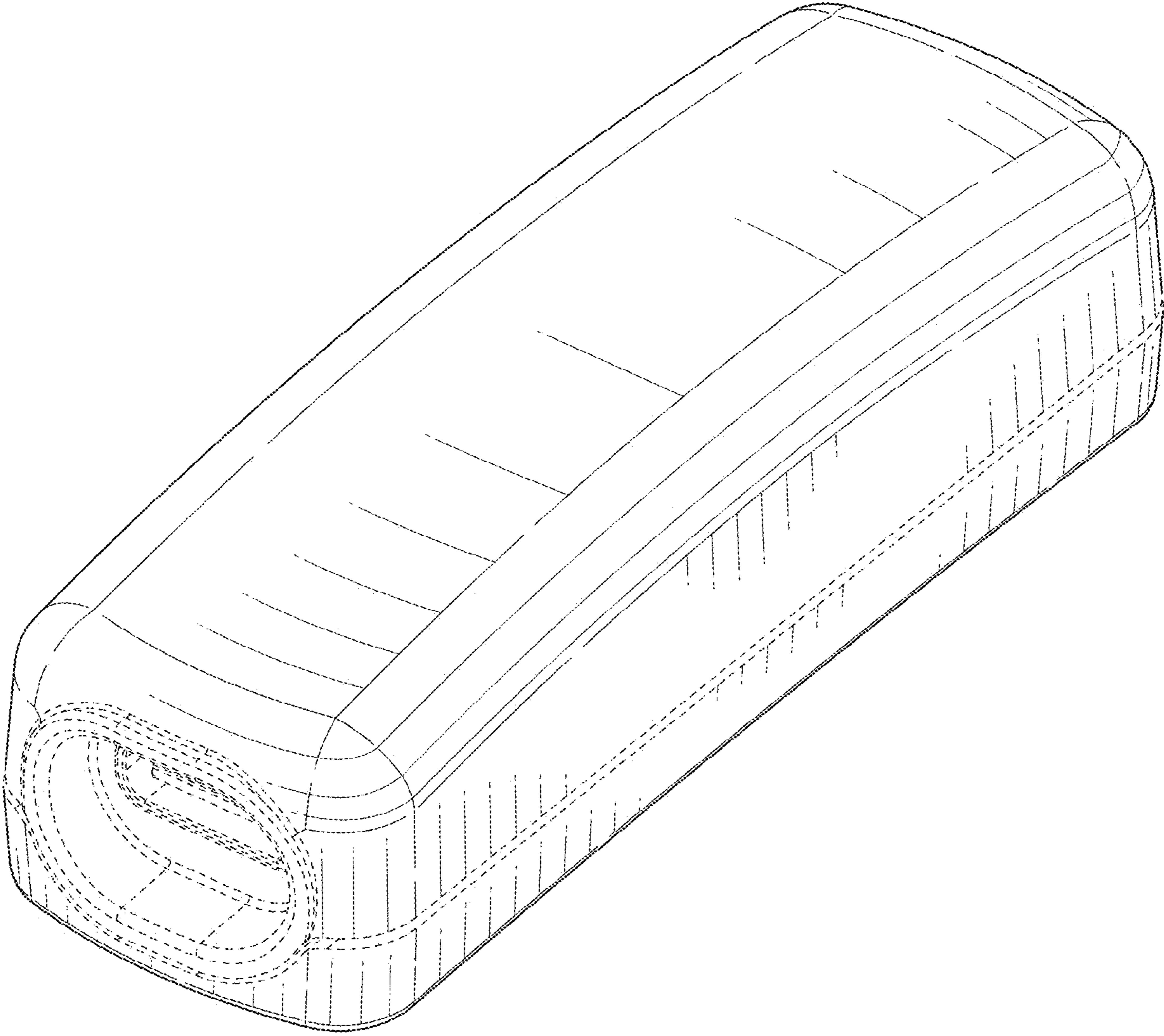


FIG. 8

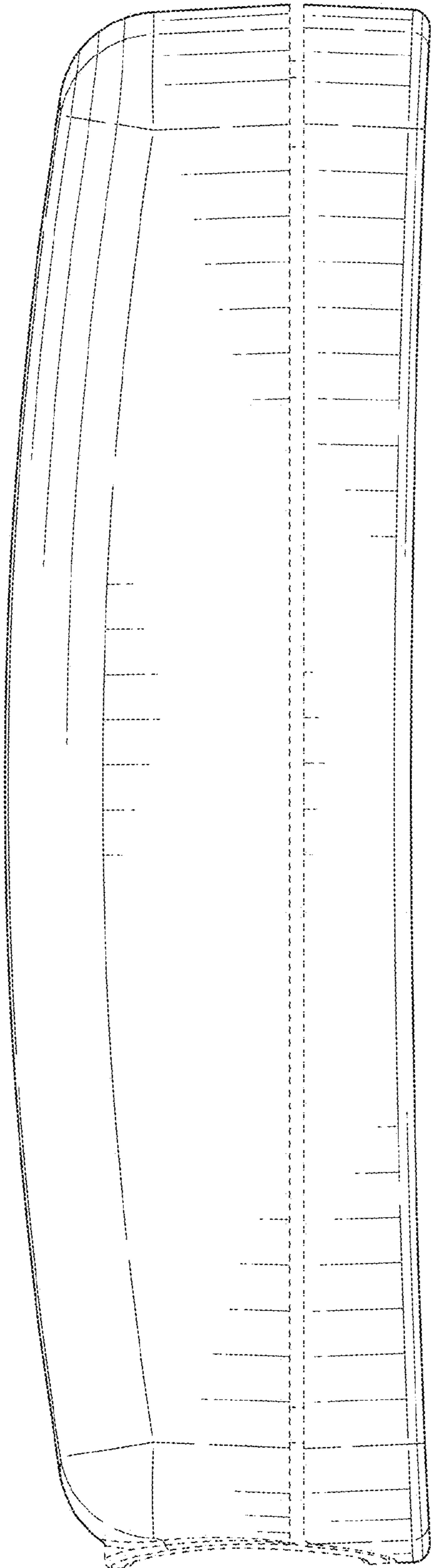


FIG. 9

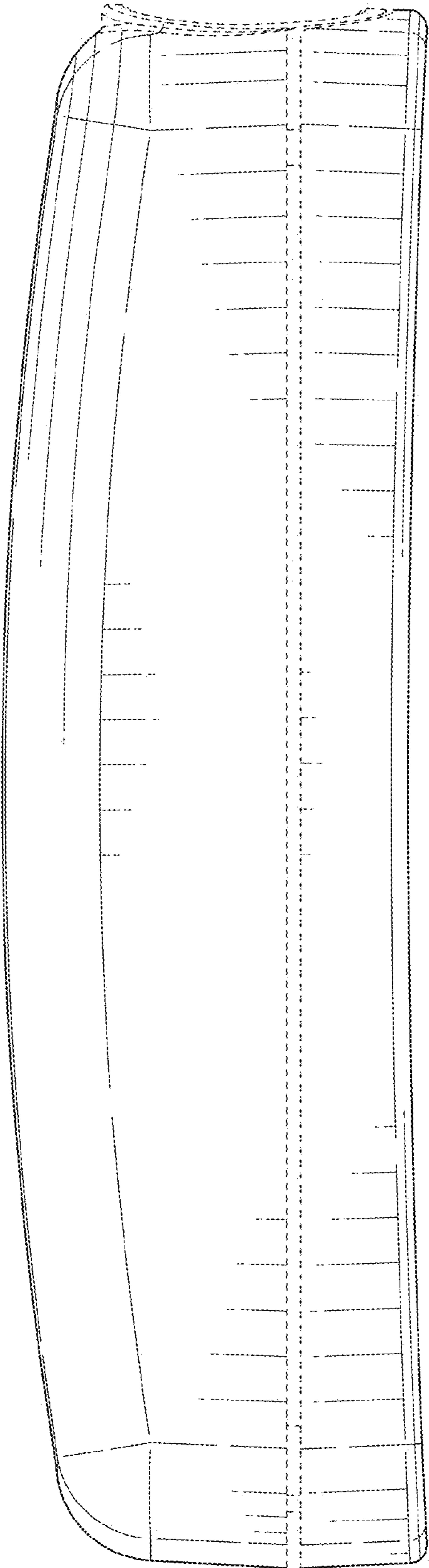


FIG. 10

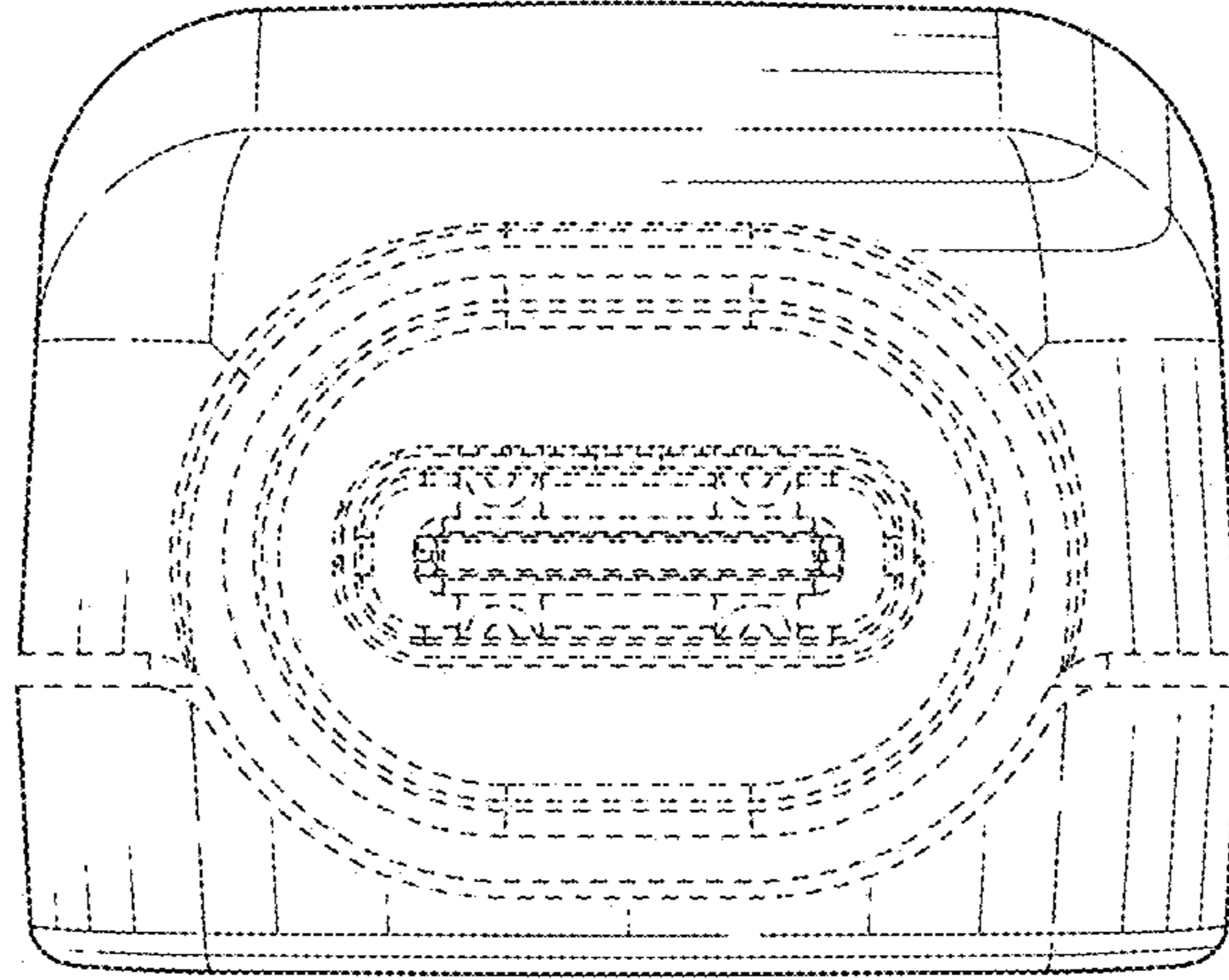


FIG. 11

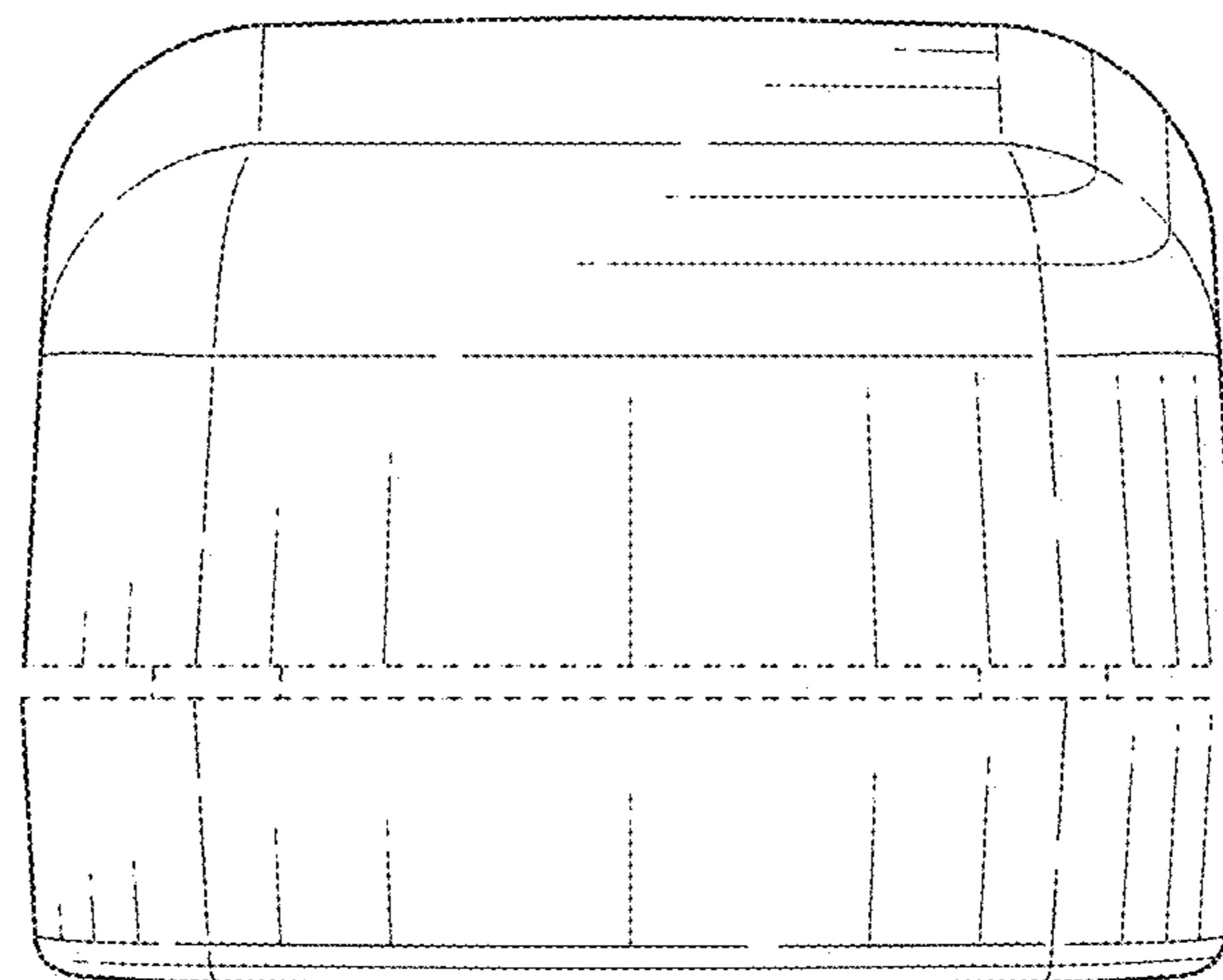


FIG. 12

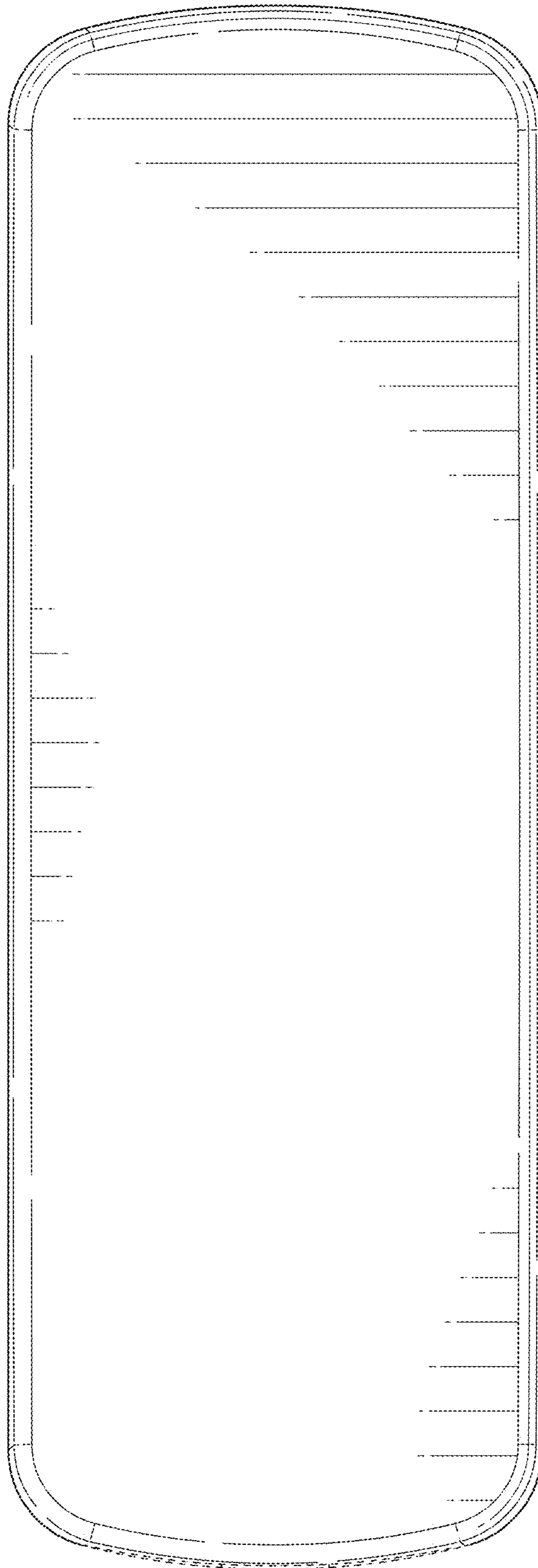


FIG. 13

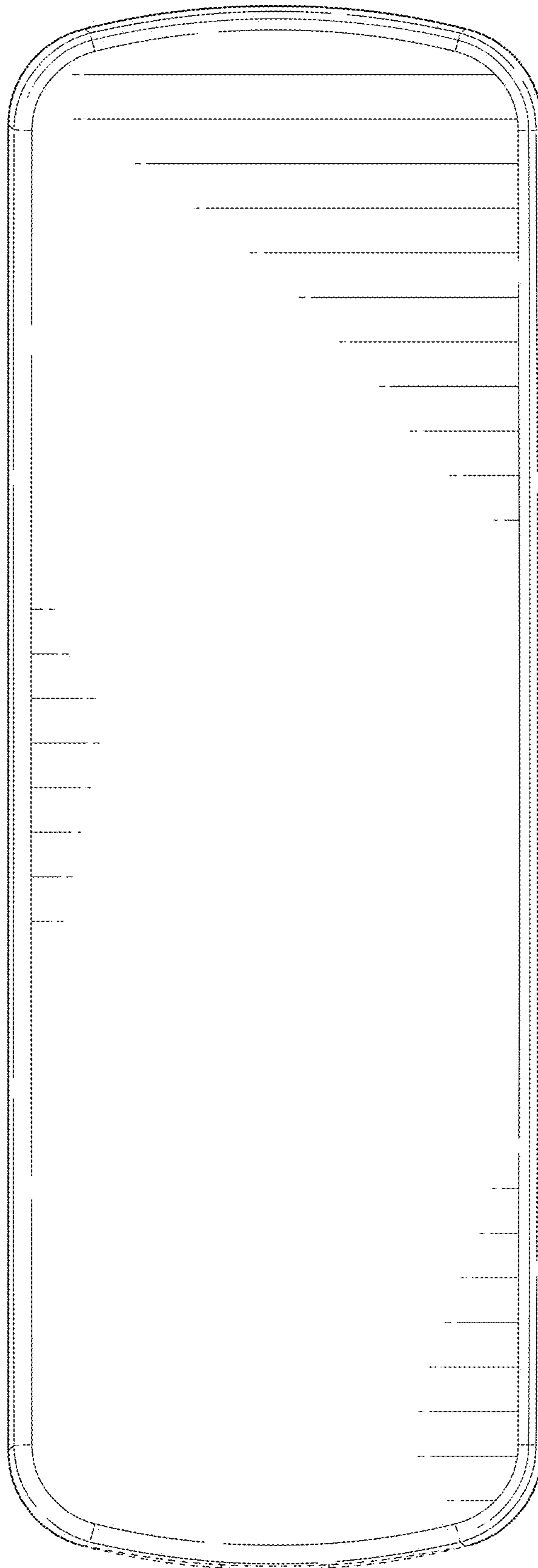


FIG. 14