

US00D977349S

(12) **United States Design Patent**  
**Balbuena et al.**

(10) **Patent No.:** **US D977,349 S**  
(45) **Date of Patent:** **\*\* Feb. 7, 2023**

(54) **SENSOR**

FOREIGN PATENT DOCUMENTS

(71) Applicant: **Caught Stealing, LLC**, Payson, AZ  
(US)

CA	2213901	A1	*	4/1999	.....	A63B 69/0002
CN	215876203	U	*	2/2022		
GB	2392246	A	*	2/2004	.....	A63B 71/143
JP	2007236931	A	*	9/2007	.....	A63B 71/143

(72) Inventors: **Caleb F. Balbuena**, El Dorado Hills, CA (US); **Matthew C. Ceriani**, Payson, AZ (US); **Jason W. Farris**, Gilbert, AZ (US)

\* cited by examiner

*Primary Examiner* — Antoine Duval Davis  
(74) *Attorney, Agent, or Firm* — IPTechLaw

(73) Assignee: **Caught Stealing LLC**, Payson, AZ  
(US)

(57) **CLAIM**

The ornamental design for a sensor, as shown and described.

(\*\*) Term: **15 Years**

**DESCRIPTION**

(21) Appl. No.: **29/766,276**

FIG. 1 is front perspective view of an implementation of a sensor;  
FIG. 2 is a left side view thereof;  
FIG. 3 is a right side view;  
FIG. 4 is a front rear view thereof;  
FIG. 5 is a back view thereof;  
FIG. 6 is a top view thereof;  
FIG. 7 is a bottom view thereof;  
FIG. 8 is front perspective view of a second implementation of a sensor;  
FIG. 9 is a left side view thereof;  
FIG. 10 is a right side view;  
FIG. 11 is a front rear view thereof;  
FIG. 12 is a back view thereof;  
FIG. 13 is a top view thereof; and,  
FIG. 14 is a bottom view thereof.  
All broken lines represent unclaimed features of the article to which the design is applied.

(22) Filed: **Jan. 14, 2021**

(51) **LOC (14) Cl.** ..... **10-04**

(52) **U.S. Cl.**  
USPC ..... **D10/85**

(58) **Field of Classification Search**  
USPC ..... D10/46, 83, 84, 85  
CPC ..... A63B 65/12; A63B 69/0002; A63B 2069/0004; A63B 2069/0011; A63B 71/141

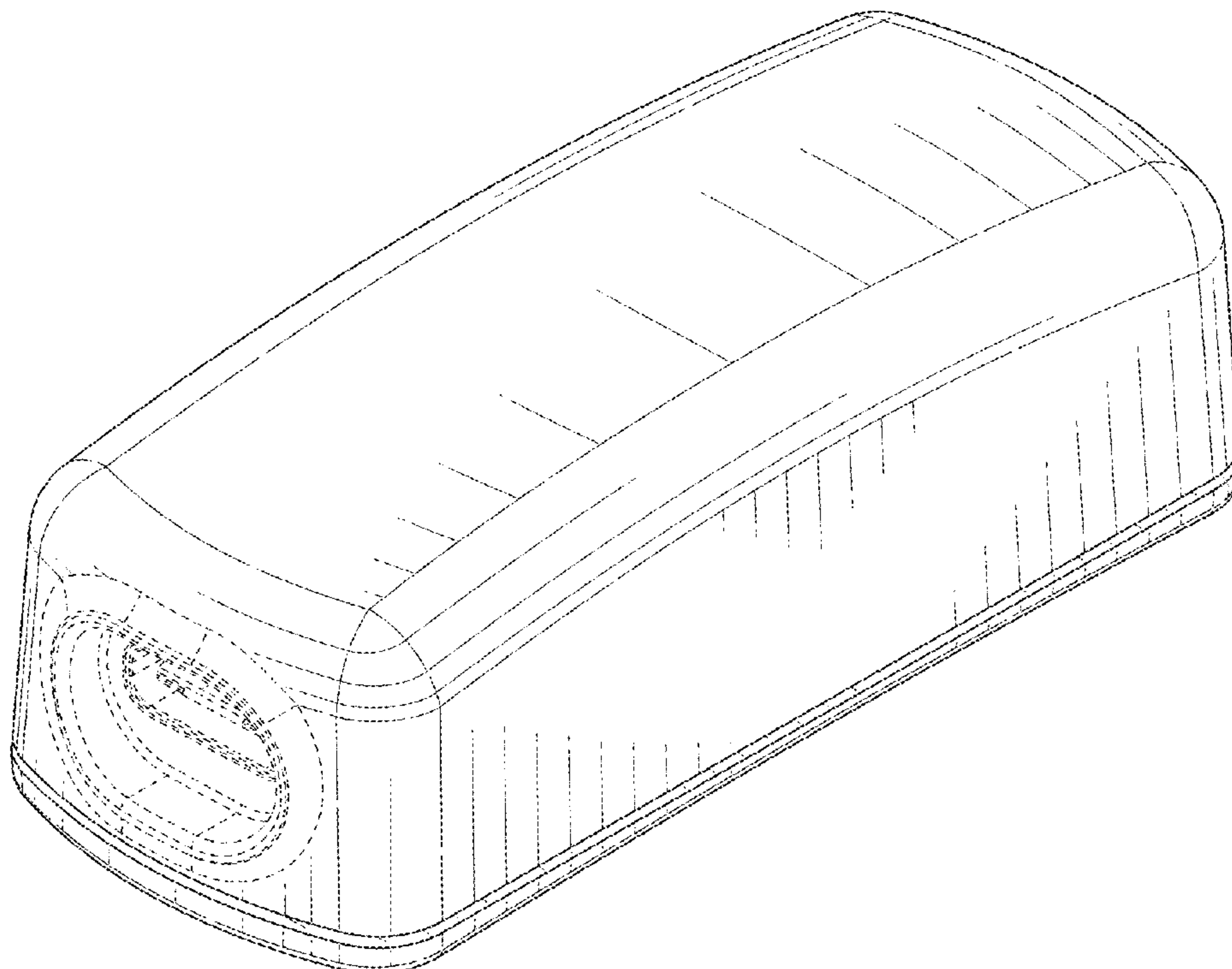
See application file for complete search history.

(56) **References Cited**

U.S. PATENT DOCUMENTS

D277,941 S \* 3/1985 Dalgren ..... D10/83  
D400,817 S \* 11/1998 Ambar ..... D11/90

**1 Claim, 8 Drawing Sheets**



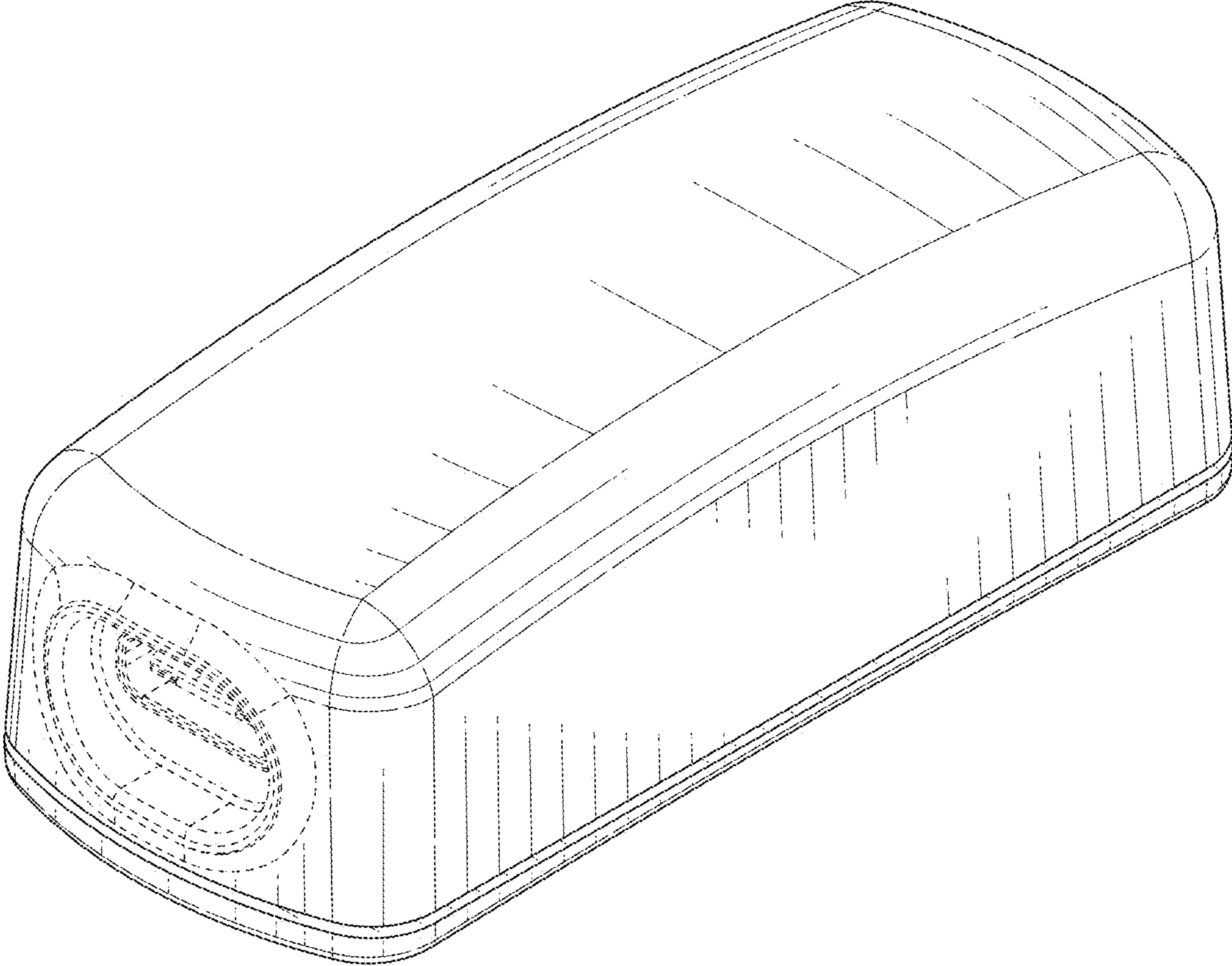


FIG. 1

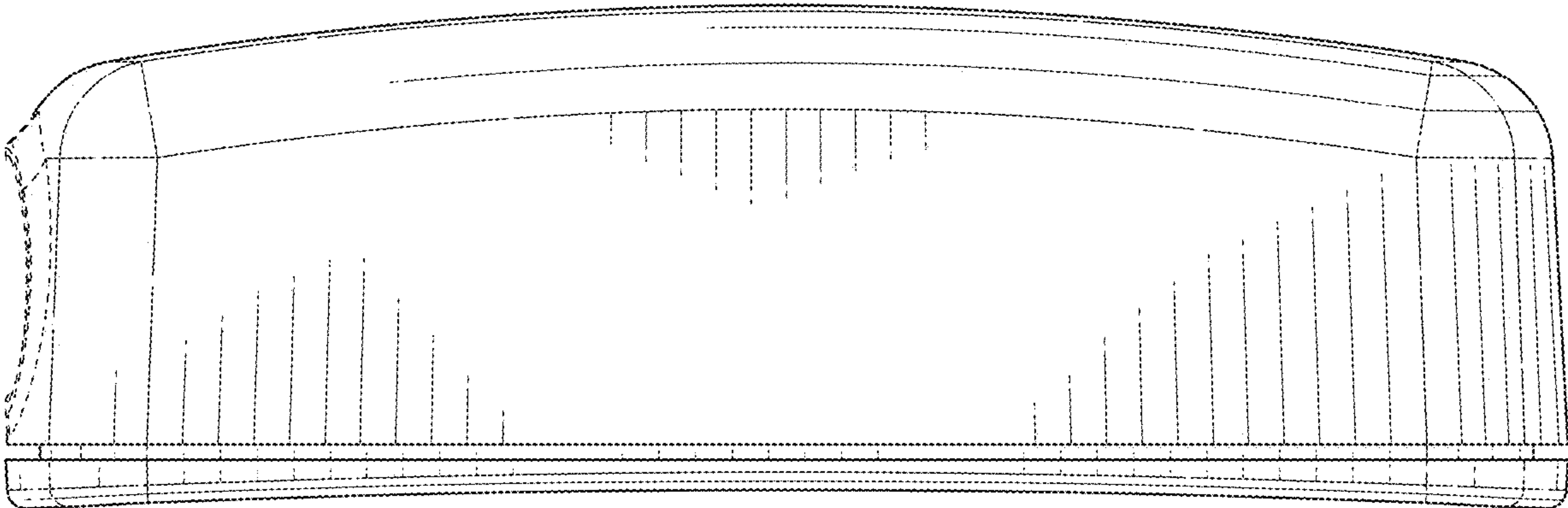


FIG. 2

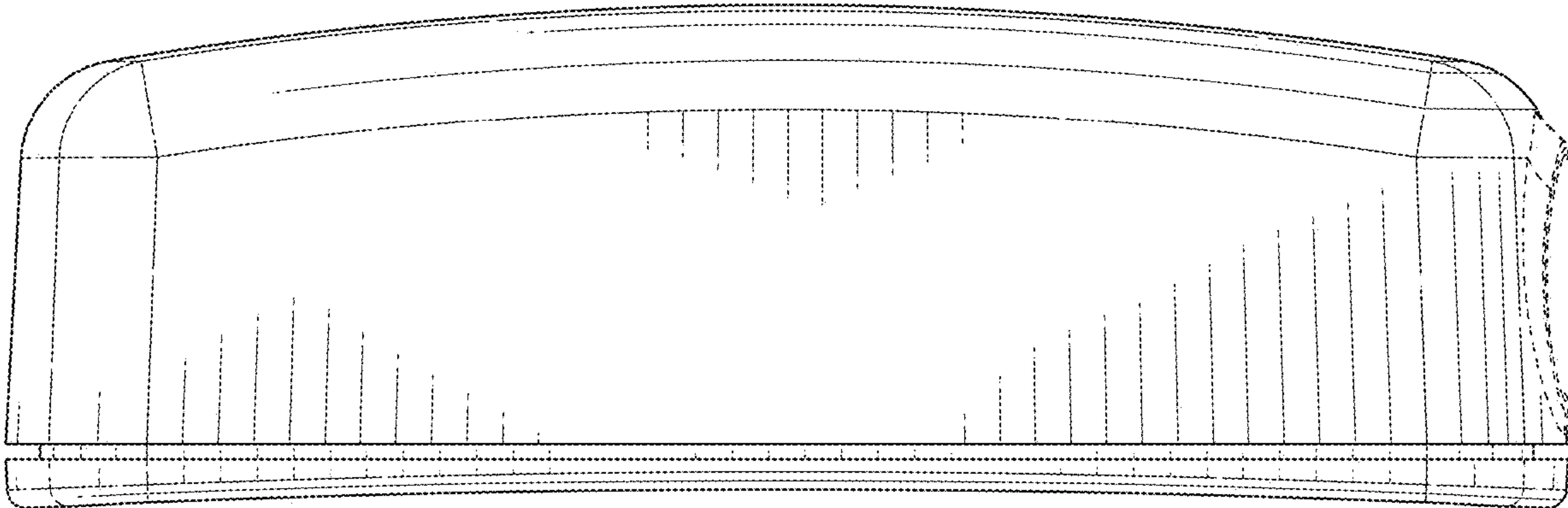


FIG. 3

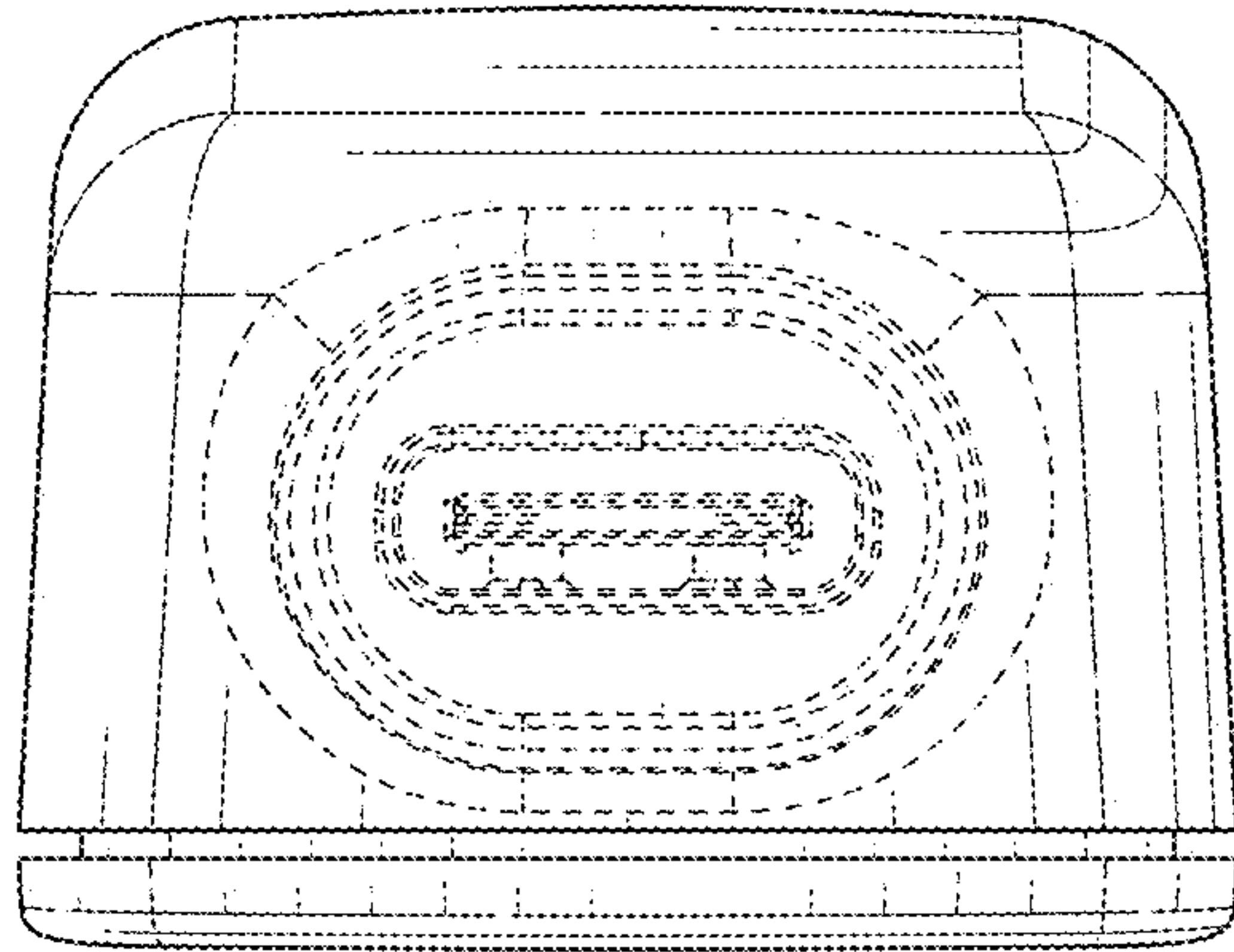


FIG. 4

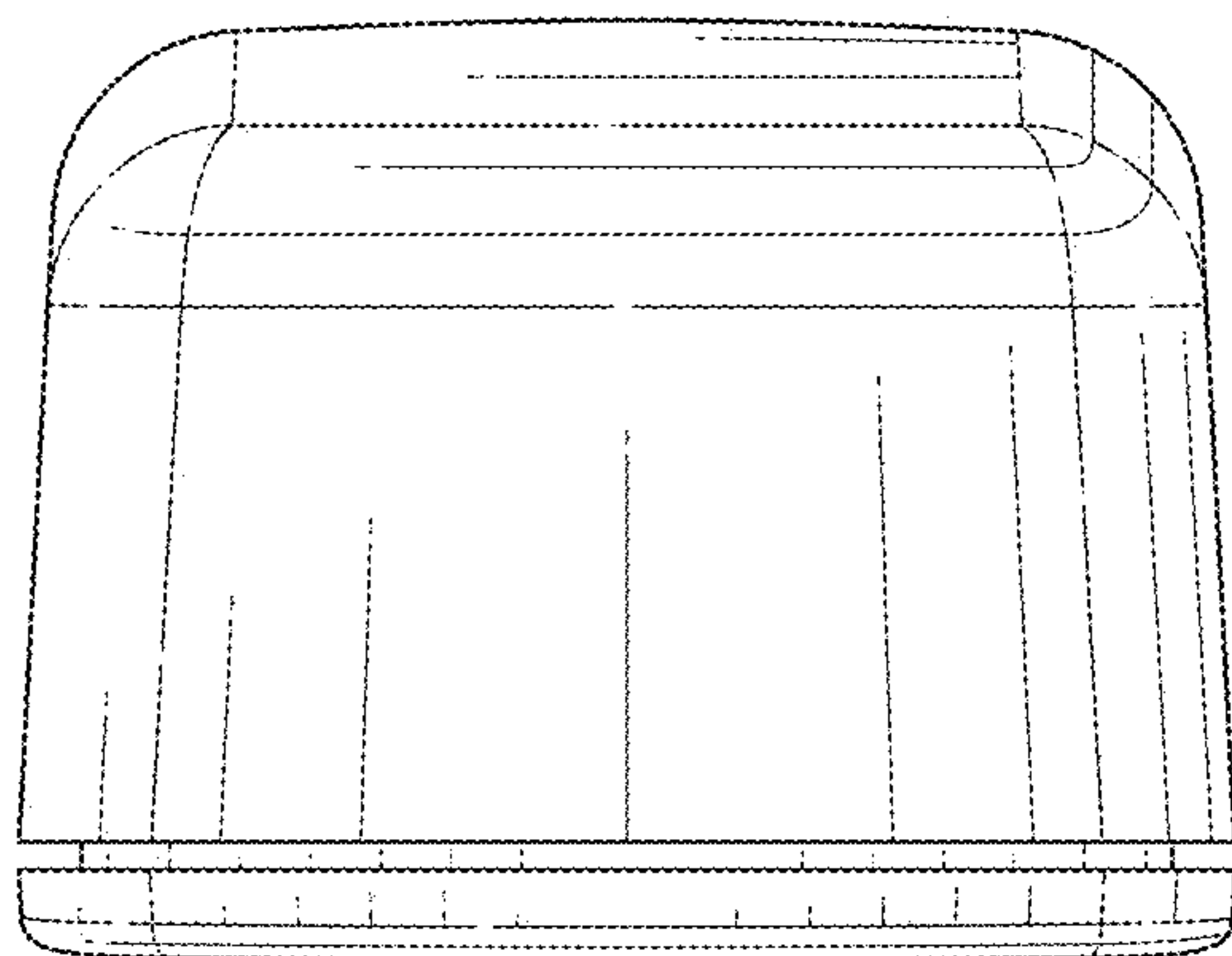


FIG. 5



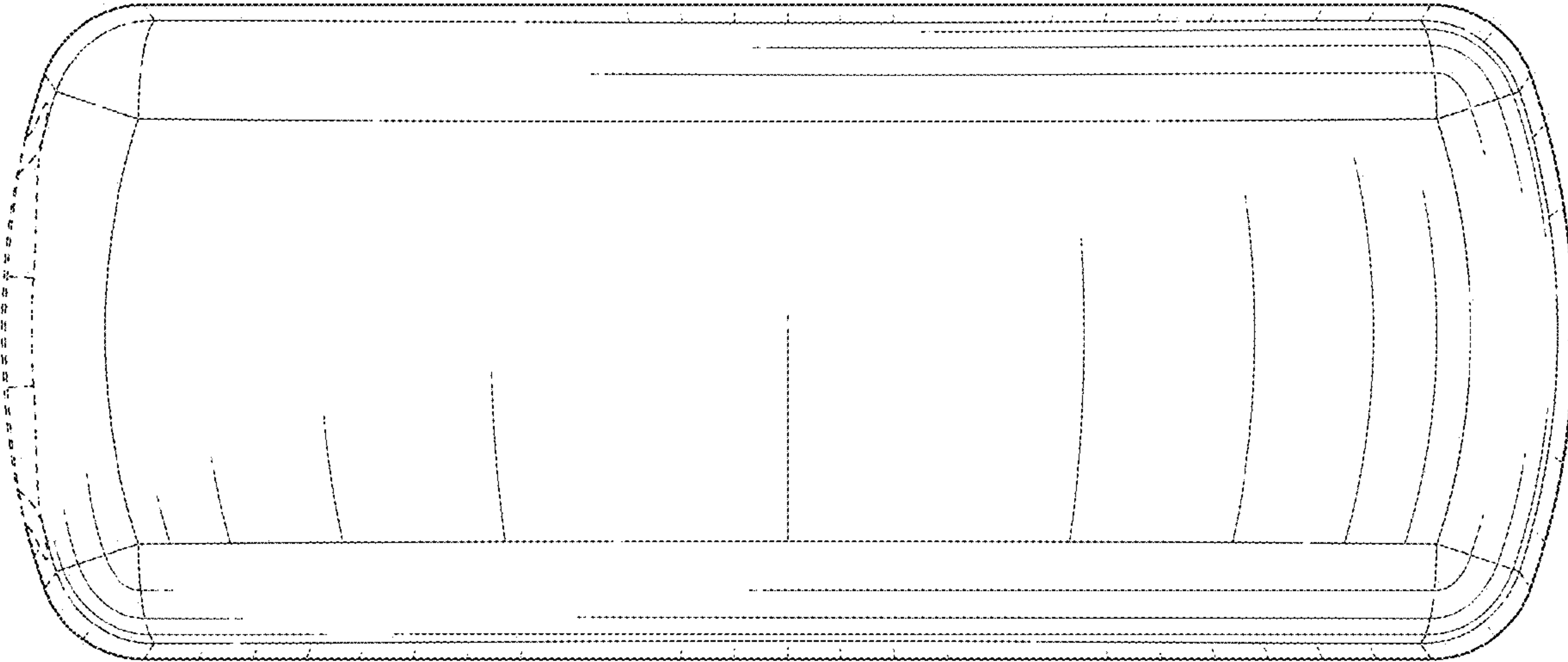


FIG. 6

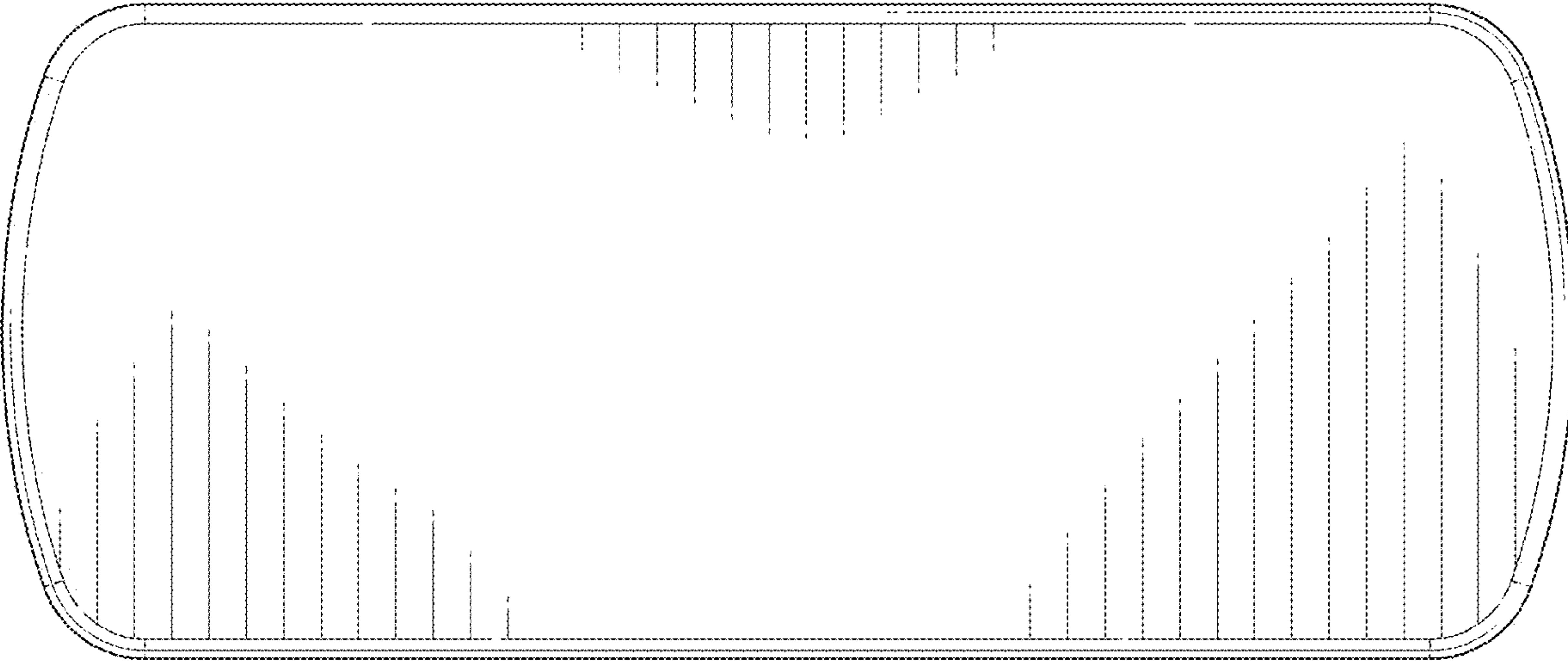


FIG. 7

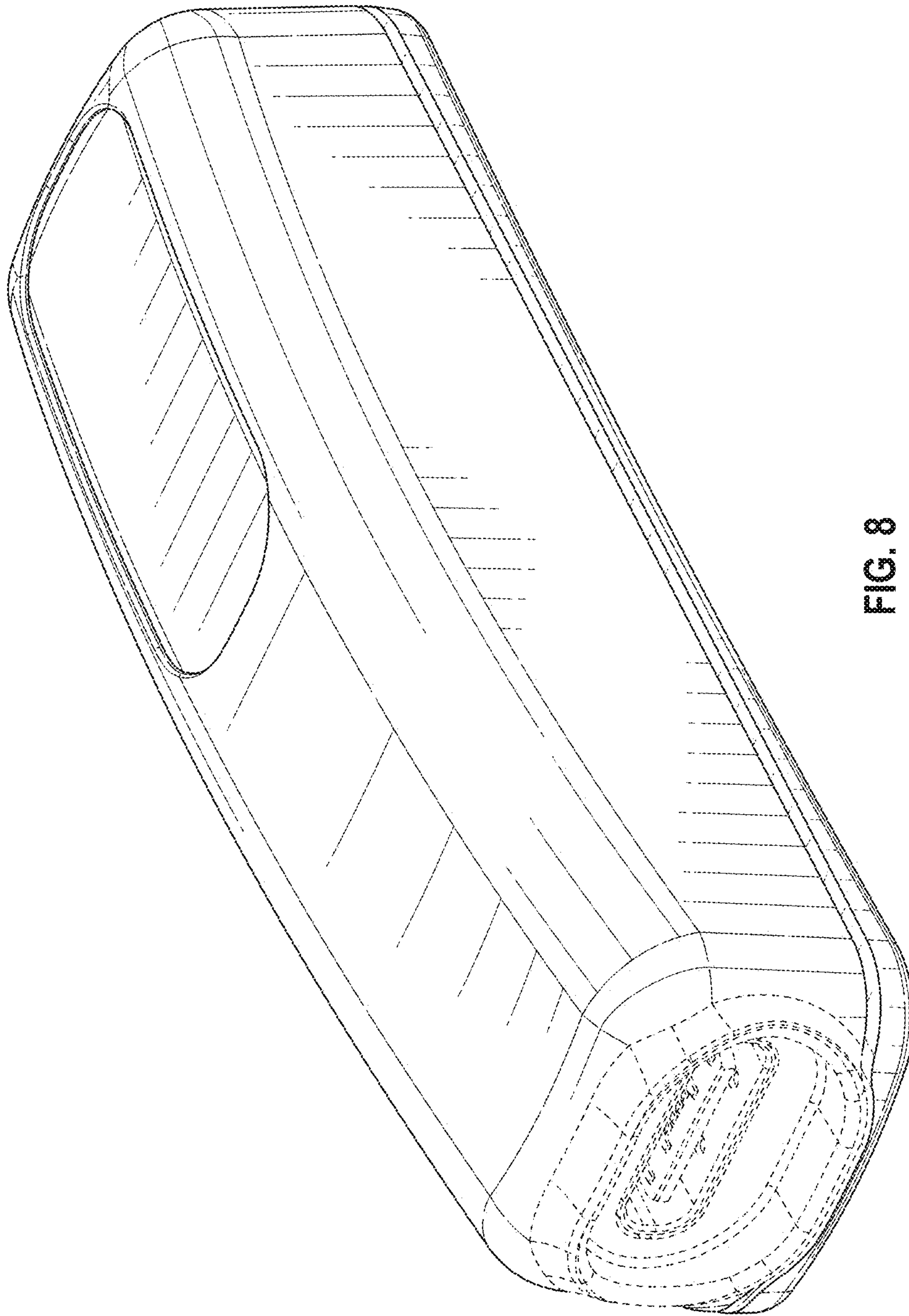


FIG. 8

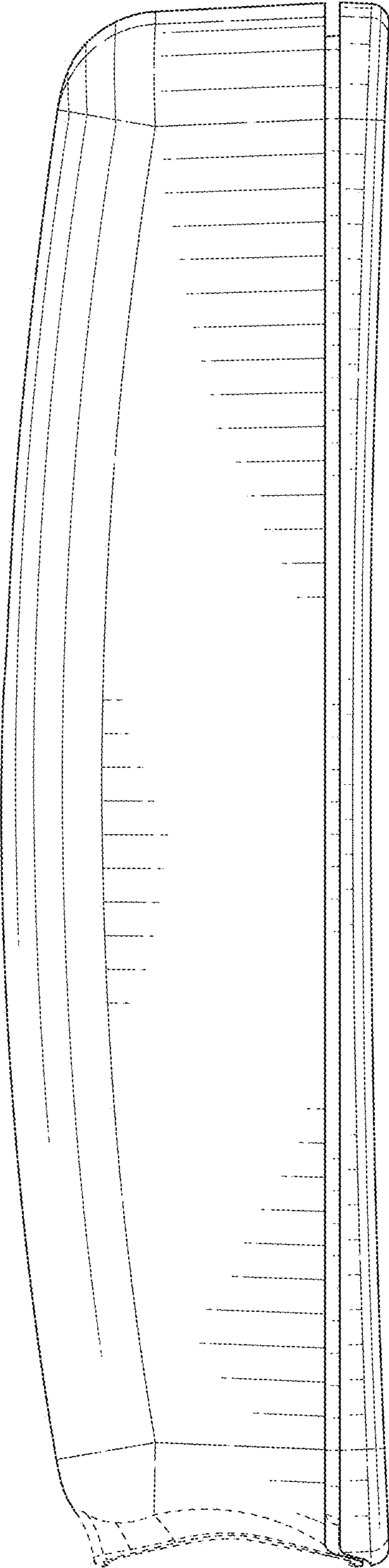


FIG. 9

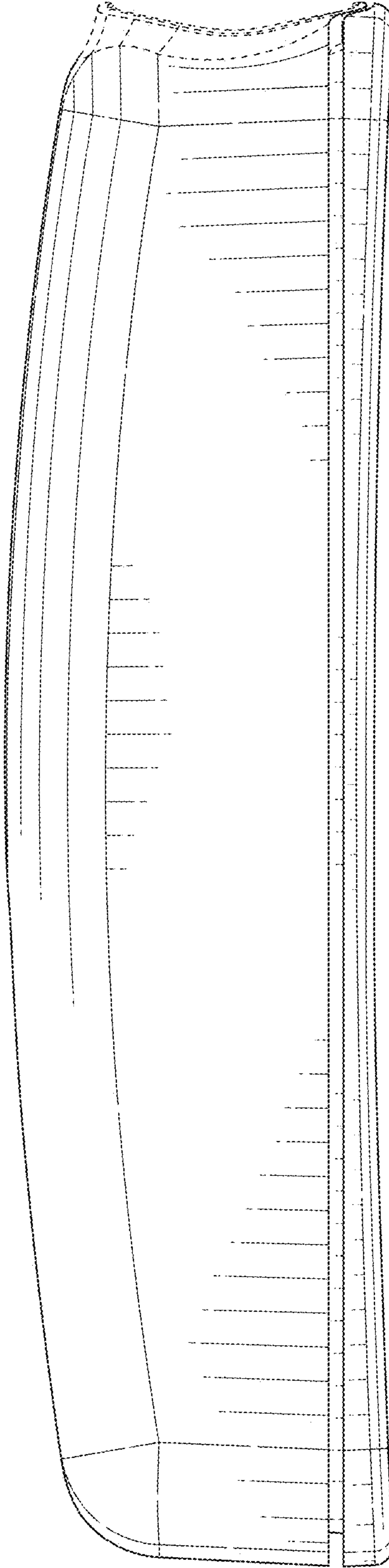


FIG. 10

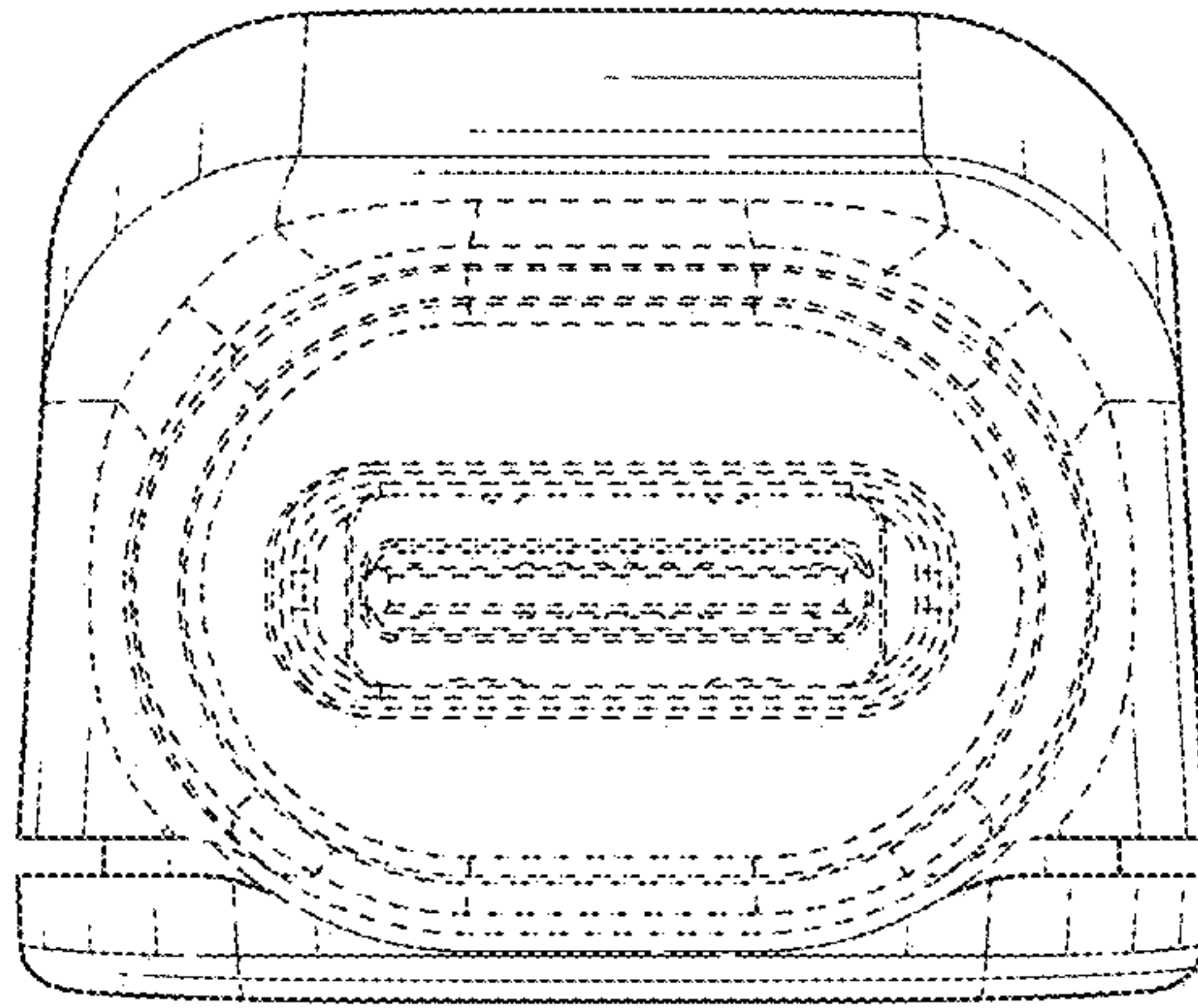


FIG. 11

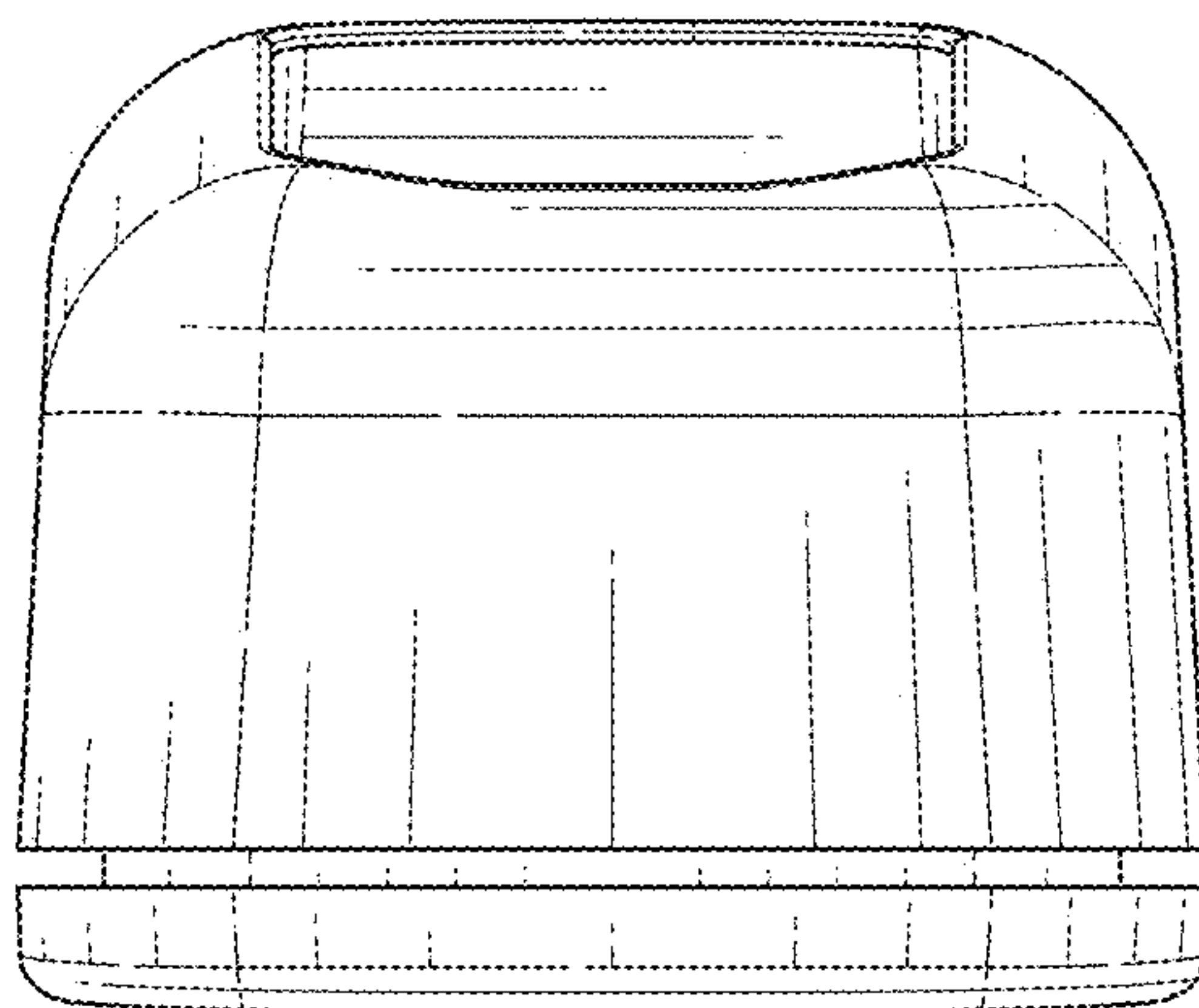


FIG. 12



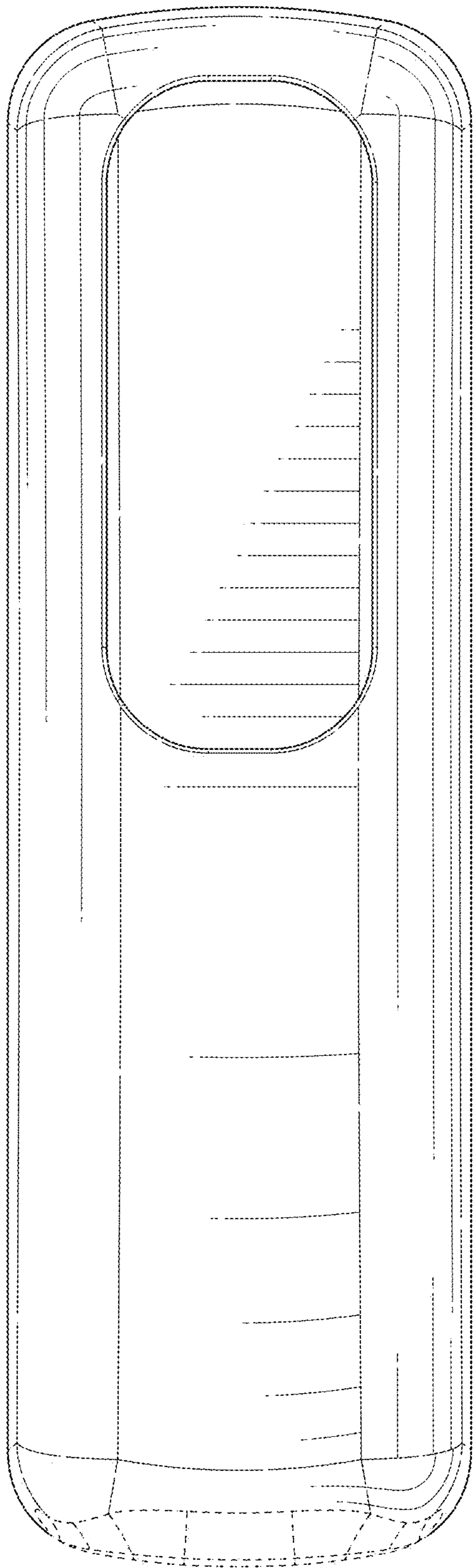


FIG. 13

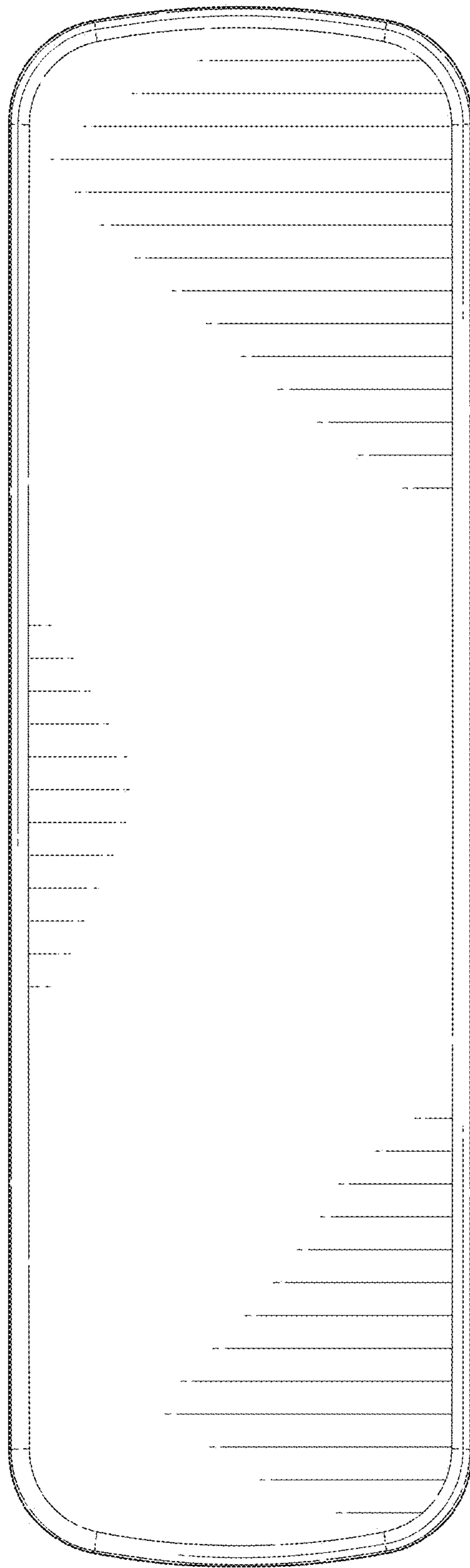


FIG. 14