



US00D977348S

(12) **United States Design Patent** (10) **Patent No.:** **US D977,348 S**  
**Huo** (45) **Date of Patent:** **\*\* Feb. 7, 2023**

(54) **DISTANCE MEASURING DEVICE**

(71) Applicant: **Liang Huo**, Guangdong (CN)

(72) Inventor: **Liang Huo**, Guangdong (CN)

(73) Assignee: **HENAN ATUMAN PRECISION MACHINERY TECHNOLOGY CO., LTD.**, Zhumadian (CN)

(\*\*) Term: **15 Years**

(21) Appl. No.: **29/814,342**

(22) Filed: **Nov. 5, 2021**

(51) **LOC (14) Cl.** ..... **10-04**

(52) **U.S. Cl.**  
USPC ..... **D10/70**

(58) **Field of Classification Search**  
USPC ..... D10/61-74  
CPC ..... G01S 7/4816; G01S 17/48; G01S 7/4814;  
G01S 7/51; G01S 17/894; G01S 17/86;  
G01S 17/08; G01C 3/08; G01B 3/12;  
G01B 7/30; G01B 3/1041; G01B 3/1003;  
G01B 3/1056; G01B 2003/1053; B65D  
83/203; E01C 23/227; A63C 2019/067;  
Y10T 16/473

See application file for complete search history.

(56) **References Cited**

**U.S. PATENT DOCUMENTS**

D555,018	S	*	11/2007	Au Yeung	.....	D10/70
D607,353	S	*	1/2010	Hackenberg	.....	D10/70
D724,455	S	*	3/2015	Plangger	.....	D10/78
D740,144	S		10/2015	Lamer		
D797,583	S	*	9/2017	Chou	.....	D10/70
D805,412	S	*	12/2017	Lu	.....	D10/70
D805,932	S	*	12/2017	Koeniger	.....	D10/70
D861,516	S	*	10/2019	Rao	.....	D10/70
D866,366	S	*	11/2019	Sostak	.....	D10/69
D928,640	S	*	8/2021	Zheng	.....	D10/70
D931,127	S		9/2021	Shao et al.		
D946,427	S	*	3/2022	Riegl	.....	D10/66
2020/0371242	A1	*	11/2020	Braun	.....	G01S 7/4816

(Continued)

**FOREIGN PATENT DOCUMENTS**

CN	304476642	*	8/2017
CN	305036028	*	10/2018
CN	306586363	*	12/2020

(Continued)

**OTHER PUBLICATIONS**

Doorslay Store,Rangefinder for Golf, Date first available Aug. 10, 2022,[online]retrieved Aug. 23, 2022,available from [https://www.amazon.com/doorslay-Rangefinder-Magnification-Charging-Distance/dp/B0B96K9BNP/ref=sr\\_1\\_305\\_sspa?keywords=golf%2Brange%2Bfinder&qid=1661292563&sr=8-305-spons&spLa=ZW5jcnlwdGVk](https://www.amazon.com/doorslay-Rangefinder-Magnification-Charging-Distance/dp/B0B96K9BNP/ref=sr_1_305_sspa?keywords=golf%2Brange%2Bfinder&qid=1661292563&sr=8-305-spons&spLa=ZW5jcnlwdGVk) (Year: 2022).\*

(Continued)

*Primary Examiner* — Keli L Hill

*Assistant Examiner* — Sara S Sahneh

(74) *Attorney, Agent, or Firm* — Georgi Korobanov

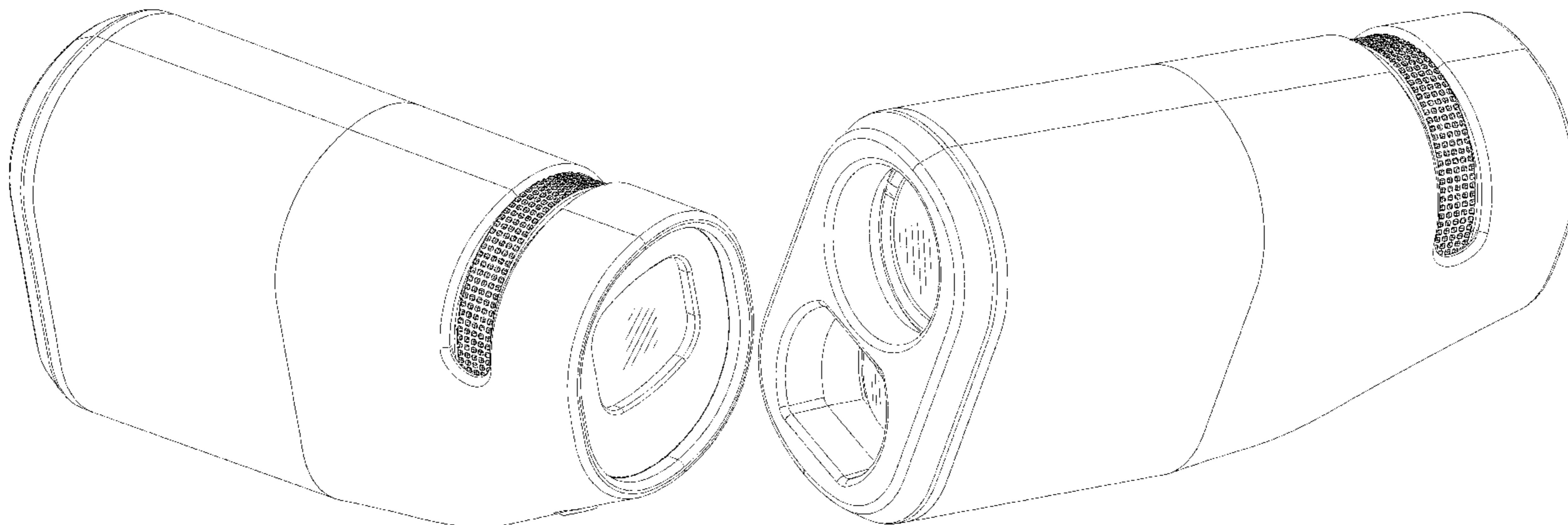
(57) **CLAIM**

The ornamental design for an distance measuring device, as shown and described.

**DESCRIPTION**

FIG. 1 is a top, front, left side perspective view of a distance measuring device showing my new design;  
FIG. 2 is a top, rear, left side perspective view thereof;  
FIG. 3 is an enlarged front elevation view thereof;  
FIG. 4 is an enlarged rear elevation view thereof;  
FIG. 5 is a left side elevation view thereof;  
FIG. 6 is a right side elevation view thereof;  
FIG. 7 is a top plan view thereof; and,  
FIG. 8 is a bottom plan view thereof.  
The broken lines shown in the drawings illustrate portions of the distance measuring device that form no part of the claimed design.

**1 Claim, 8 Drawing Sheets**



(56)

**References Cited**

U.S. PATENT DOCUMENTS

2021/0162079 A1\* 6/2021 Rosen ..... A61L 2/10  
2022/0099439 A1\* 3/2022 Chang ..... G01S 17/08

FOREIGN PATENT DOCUMENTS

CN 306711560 \* 3/2021  
EM 008632939-0001 \* 7/2021  
WO D102013-001 \* 6/2018

OTHER PUBLICATIONS

Blue Tees Golf Store, Laser Rangefinder, Date first available Aug. 24, 2020, [online]retrieved Aug. 23, 2022, available from [https://www.amazon.com/Blue-Tees-Golf-Sport-Rangefinder/dp/B08GL31NQS/ref=sr\\_1\\_14?crid=2WNHK0VREEOPN&keywords=doorslay+Rangefinder+for+Golf&qid=1661293121&prefix=doorslay](https://www.amazon.com/Blue-Tees-Golf-Sport-Rangefinder/dp/B08GL31NQS/ref=sr_1_14?crid=2WNHK0VREEOPN&keywords=doorslay+Rangefinder+for+Golf&qid=1661293121&prefix=doorslay) (Year: 2020).\*

Yopu, Golf Rangefinder, Date first available Nov. 17, 2020, [online]retrieved Aug. 23, 2022, available from [https://www.amazon.com/Rangefinder-Rechargeable-Finder-Digital-Distance/dp/B08NPTKH6S/ref=sr\\_1\\_162?keywords=golf+range+finder&qid=1661289693&sr=8-162](https://www.amazon.com/Rangefinder-Rechargeable-Finder-Digital-Distance/dp/B08NPTKH6S/ref=sr_1_162?keywords=golf+range+finder&qid=1661289693&sr=8-162) (Year: 2020).\*

Gogogo Sport Vpro Store, Golf Rangefinder, Date first available Mar. 24, 2020, [online]retrieved Aug. 23, 2022, available from [https://www.amazon.com/dp/B0868ZYVBS/ref=sspa\\_dk\\_detail\\_0?psc=1&pf\\_rd\\_p=3481f441-61ac-4028-9c1a-7f9ce8ec50c5&pf\\_rd\\_r=S520A7N1C6WET74B9PYH&pd\\_rd\\_wg=IL275&pd\\_rd\\_w=RvwqZ&content-id=amzn](https://www.amazon.com/dp/B0868ZYVBS/ref=sspa_dk_detail_0?psc=1&pf_rd_p=3481f441-61ac-4028-9c1a-7f9ce8ec50c5&pf_rd_r=S520A7N1C6WET74B9PYH&pd_rd_wg=IL275&pd_rd_w=RvwqZ&content-id=amzn) (Year: 2020).\*

\* cited by examiner

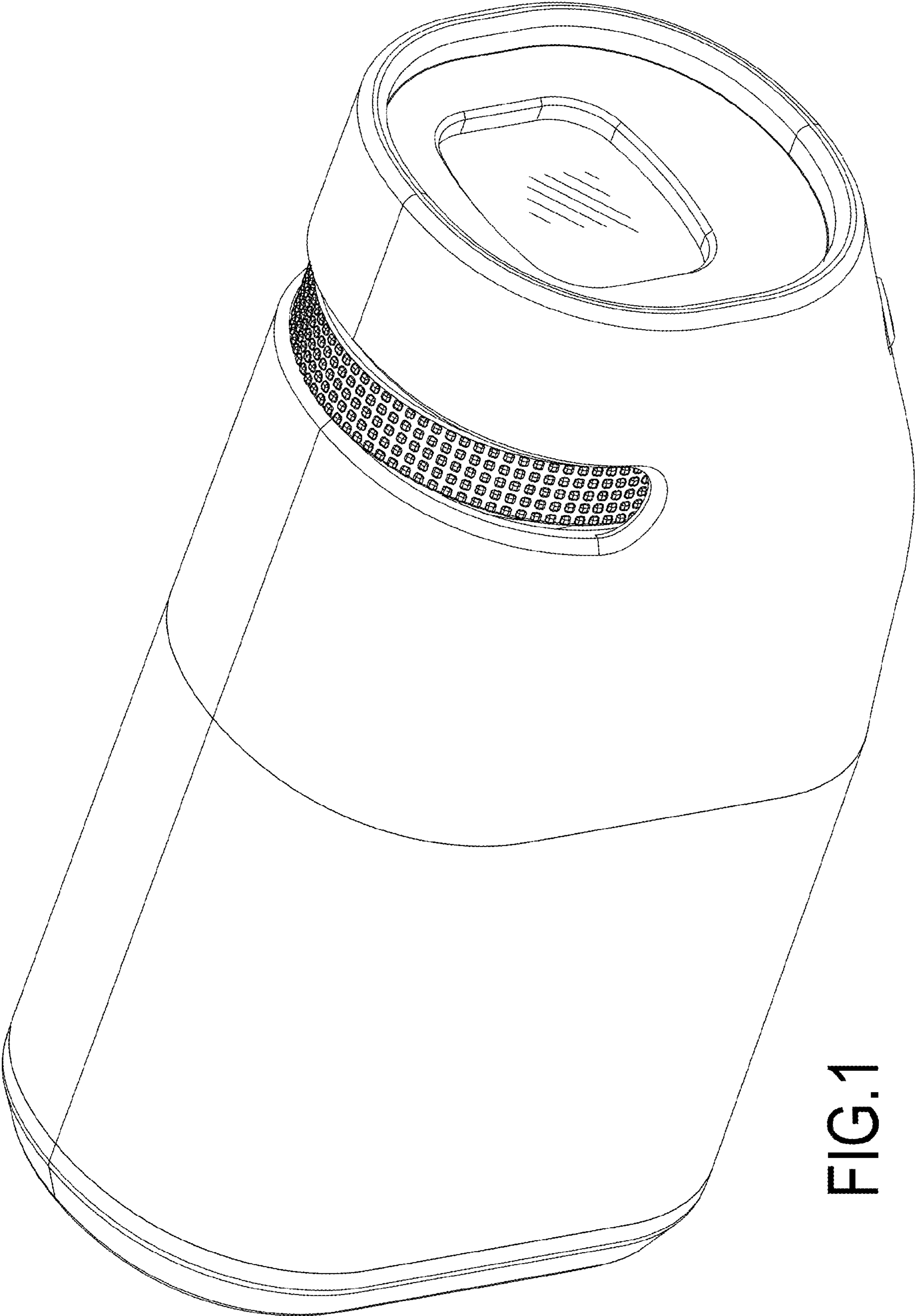


FIG.1

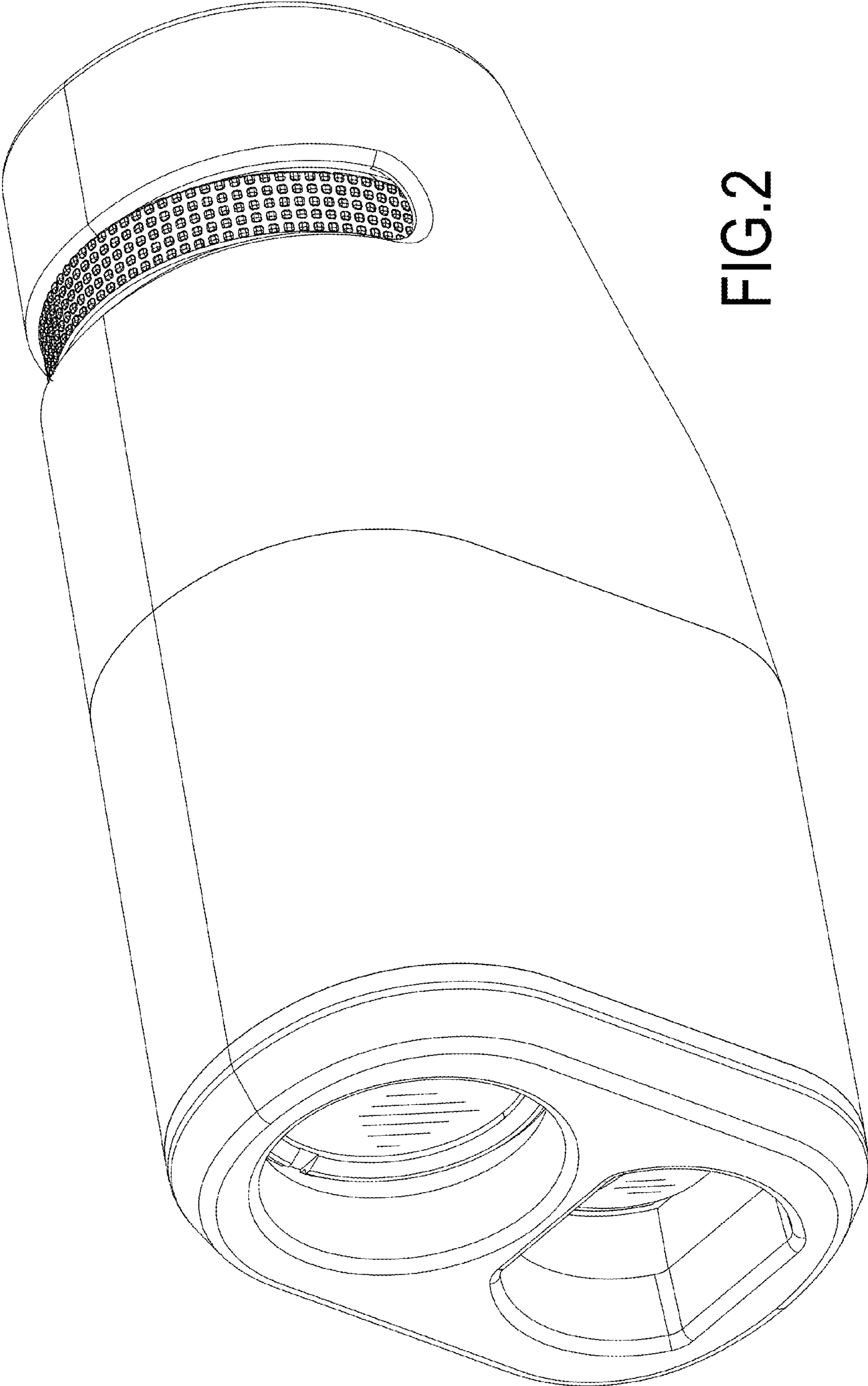


FIG. 2

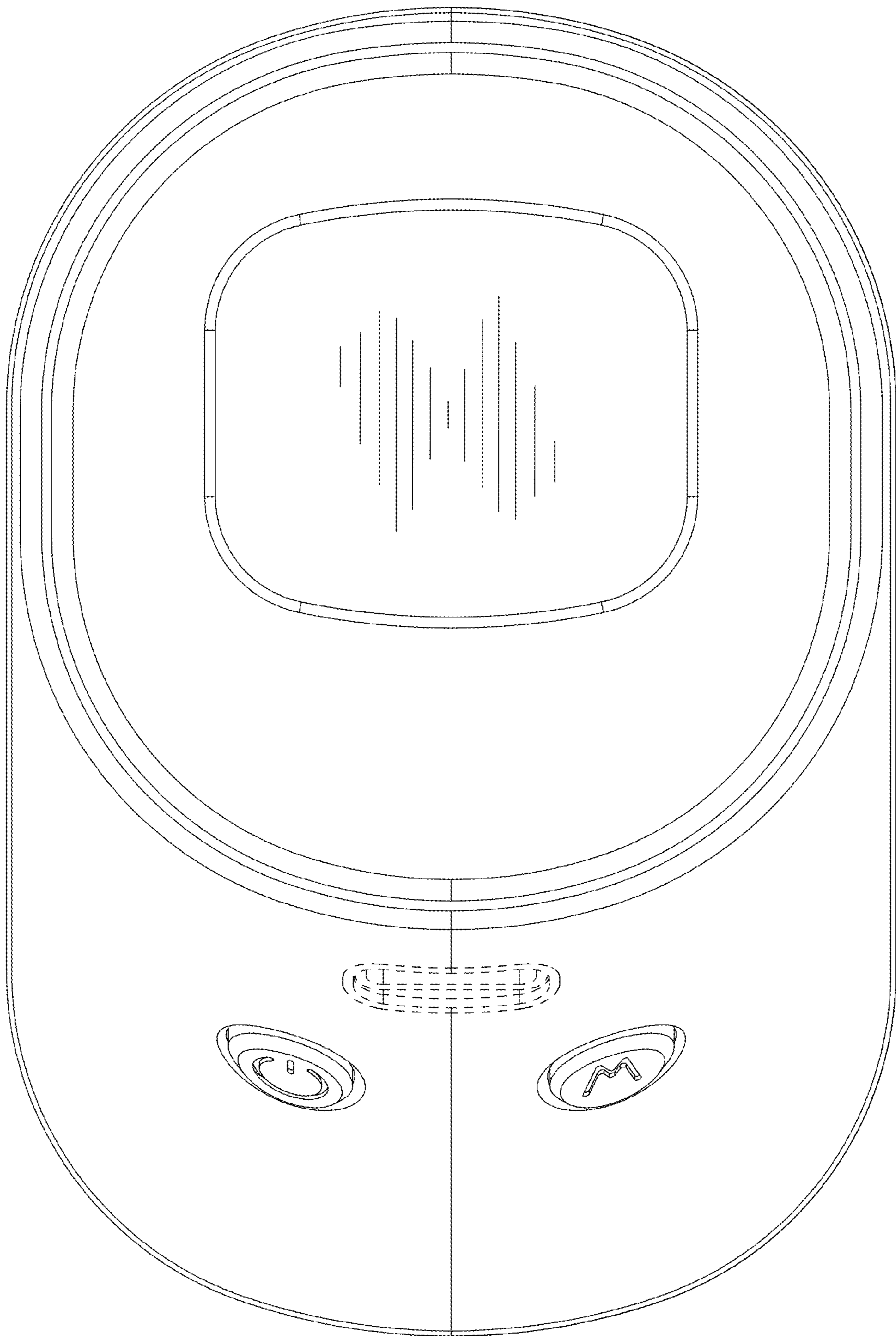


FIG.3

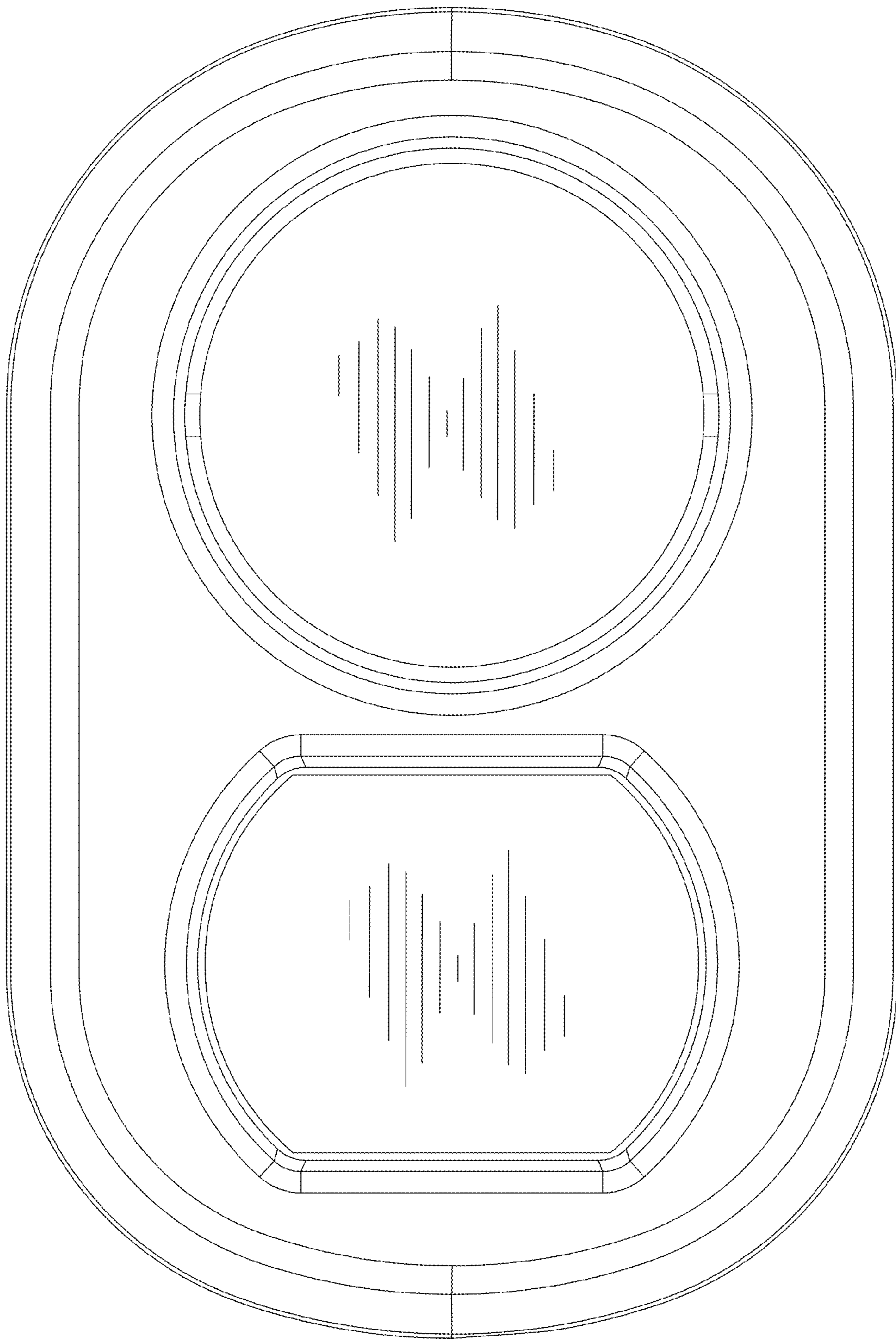
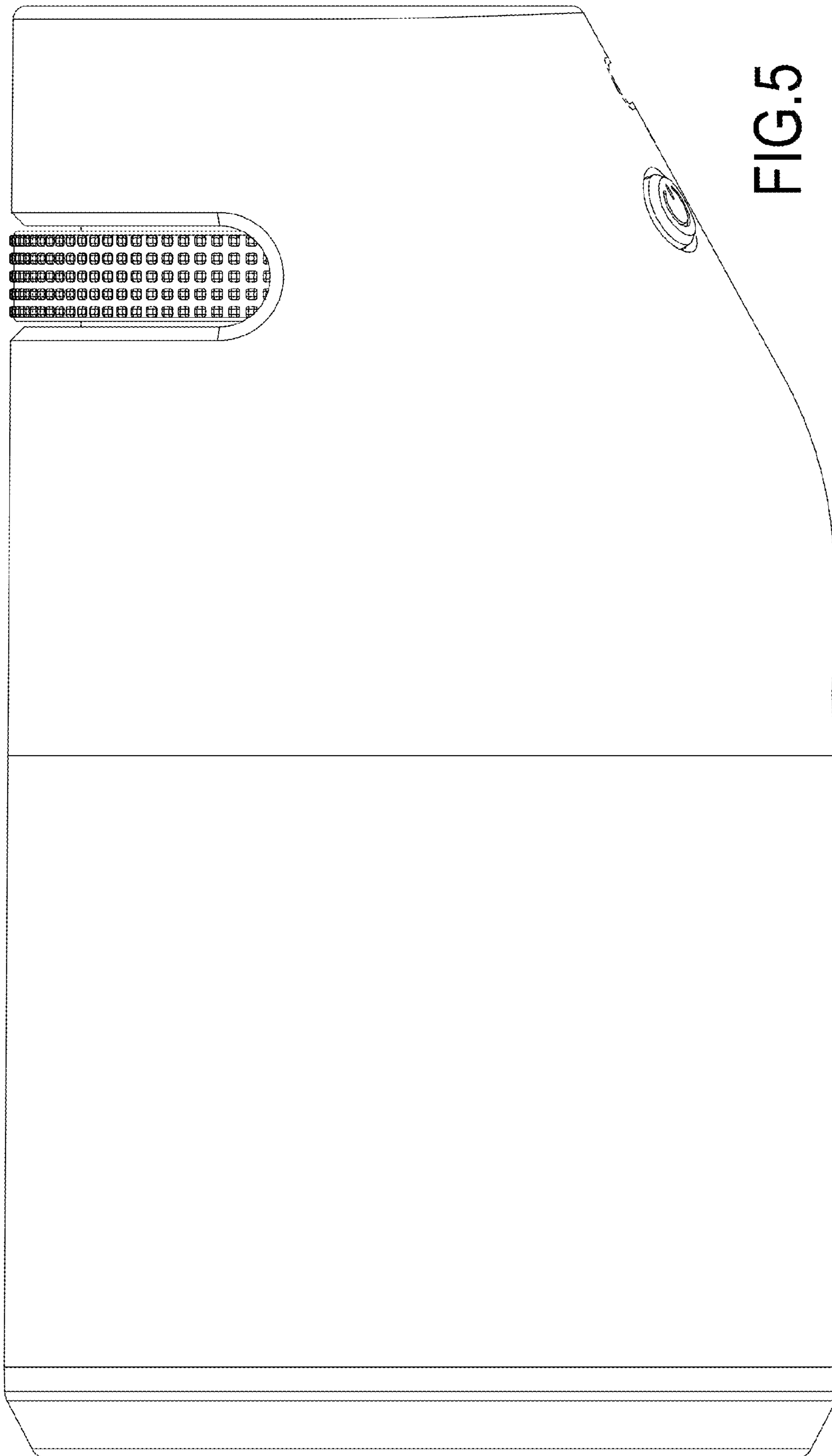


FIG.4



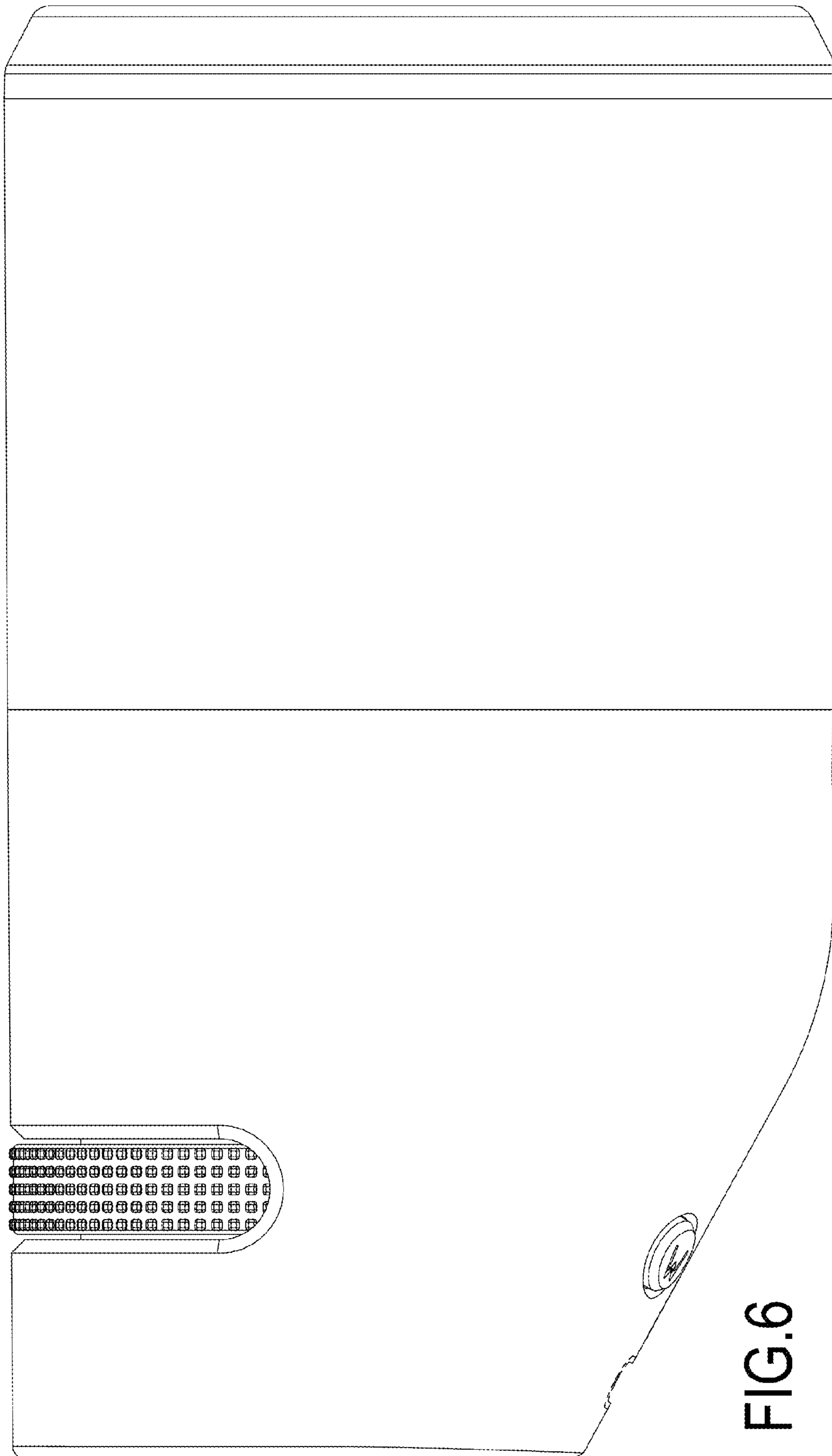


FIG. 6



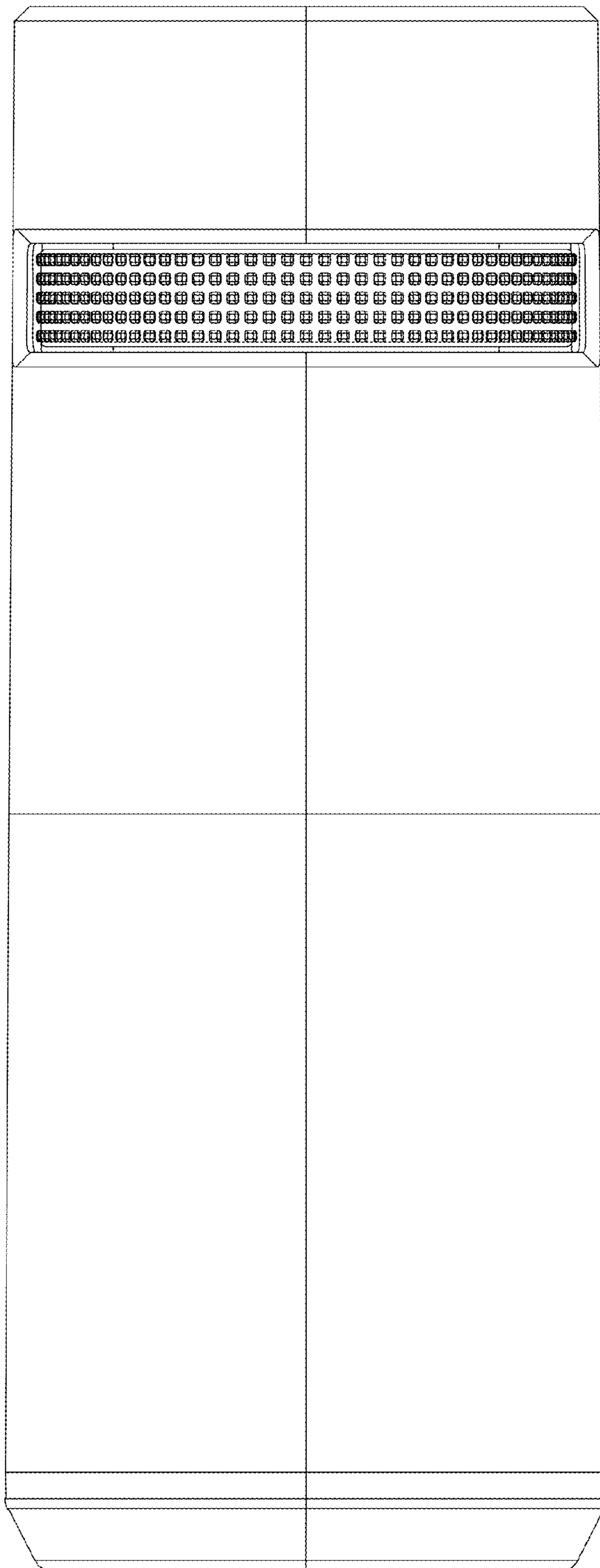


FIG.7

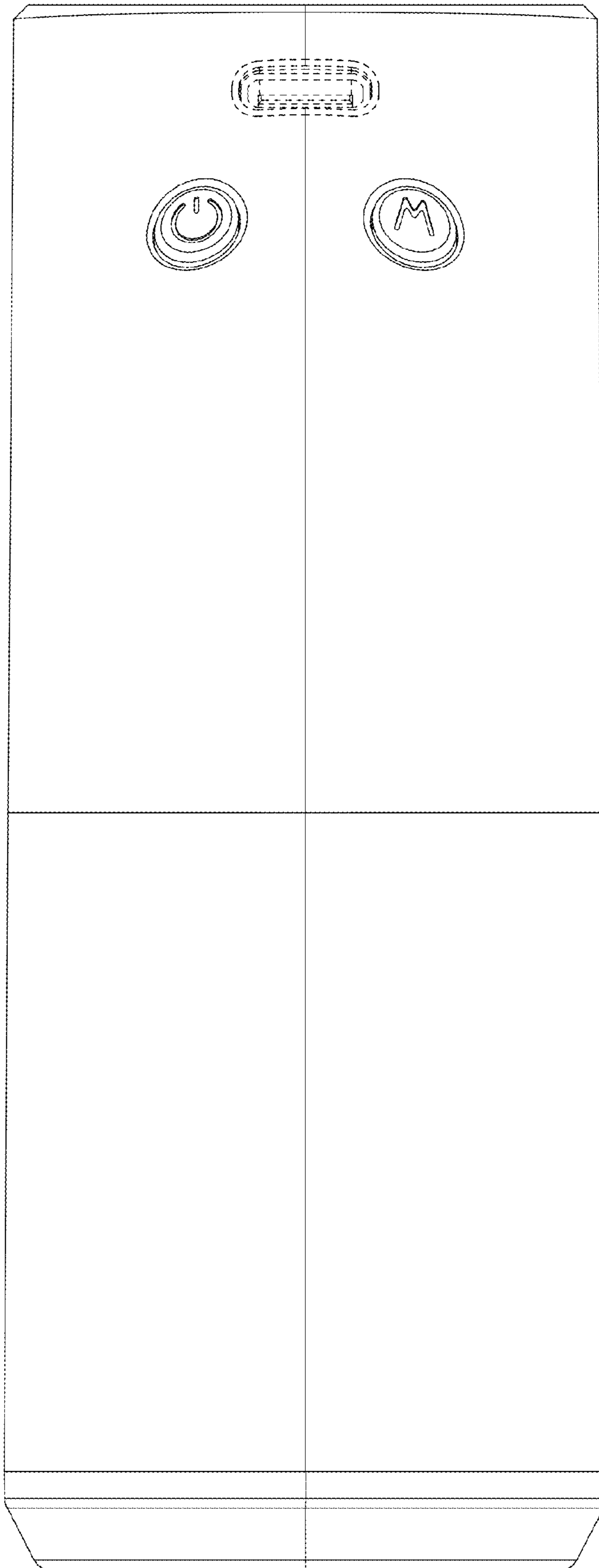


FIG.8