



US00D977342S

(12) **United States Design Patent**  
**Johnson**

(10) **Patent No.:** **US D977,342 S**  
(45) **Date of Patent:** **\*\* Feb. 7, 2023**

(54) **TISSUE BOX**

**DESCRIPTION**

(71) Applicant: **Russell W. Johnson**, San Diego, CA (US)  
(72) Inventor: **Russell W. Johnson**, San Diego, CA (US)  
(\*\*) Term: **15 Years**  
(21) Appl. No.: **29/770,514**  
(22) Filed: **Feb. 12, 2021**  
(51) **LOC (14) Cl.** ..... **09-01**  
(52) **U.S. Cl.**  
USPC ..... **D9/734**  
(58) **Field of Classification Search**  
USPC ..... D9/414, 430, 432, 431, 721, 730, 734;  
D3/201, 304, 315; D6/518  
CPC ..... A47K 10/185; A47K 10/421; A47K  
2010/3266; A47K 10/18; A47K 10/426;  
A47K 10/42; B65D 83/0894; B65D 5/72;  
B65D 83/0888; B65D 83/0805  
See application file for complete search history.

FIG. 1 is a perspective view of a tissue box;  
FIG. 2 is a right side view thereof;  
FIG. 3 is a left side view thereof;  
FIG. 4 is a front side view thereof;  
FIG. 5 is a back side view thereof;  
FIG. 6 is a top side view thereof;  
FIG. 7 is a bottom side view thereof;  
FIG. 8 is a perspective view of a tissue box according to a second embodiment;  
FIG. 9 is a right side view thereof;  
FIG. 10 is a left side view thereof;  
FIG. 11 is a front side view thereof;  
FIG. 12 is a back side view thereof;  
FIG. 13 is a top side view thereof;  
FIG. 14 is a bottom side view thereof;  
FIG. 15 is a perspective view of a tissue box according to a third embodiment;  
FIG. 16 is a right side view thereof;  
FIG. 17 is a left side view thereof;  
FIG. 18 is a front side view thereof;  
FIG. 19 is a back side view thereof;  
FIG. 20 is a top side view thereof;  
FIG. 21 is a bottom side view thereof;  
FIG. 22 is a perspective view of a tissue box according to a fourth embodiment;  
FIG. 23 is a right side view thereof;  
FIG. 24 is a left side view thereof;  
FIG. 25 is a front side view thereof;  
FIG. 26 is a back side view thereof;  
FIG. 27 is a top side view thereof; and,  
FIG. 28 is a bottom side view thereof.  
Broken lines forming an oval in the top and perspective view of the tissue box embodiments illustrate environmental features, including an unclaimed boundary line, and form no part of the claimed design. The broken lines represent a symbolic break in length and width of the claim, the appearance of any portion of the article between the break lines forms not part of the claimed design.

(56) **References Cited**

**U.S. PATENT DOCUMENTS**

2,915,218 A \* 12/1959 Rosenman ..... B65D 5/5011  
221/102  
3,089,597 A \* 5/1963 Kaplan ..... B60R 7/084  
248/905  
3,514,014 A \* 5/1970 Skowronski ..... A47K 10/185  
221/46

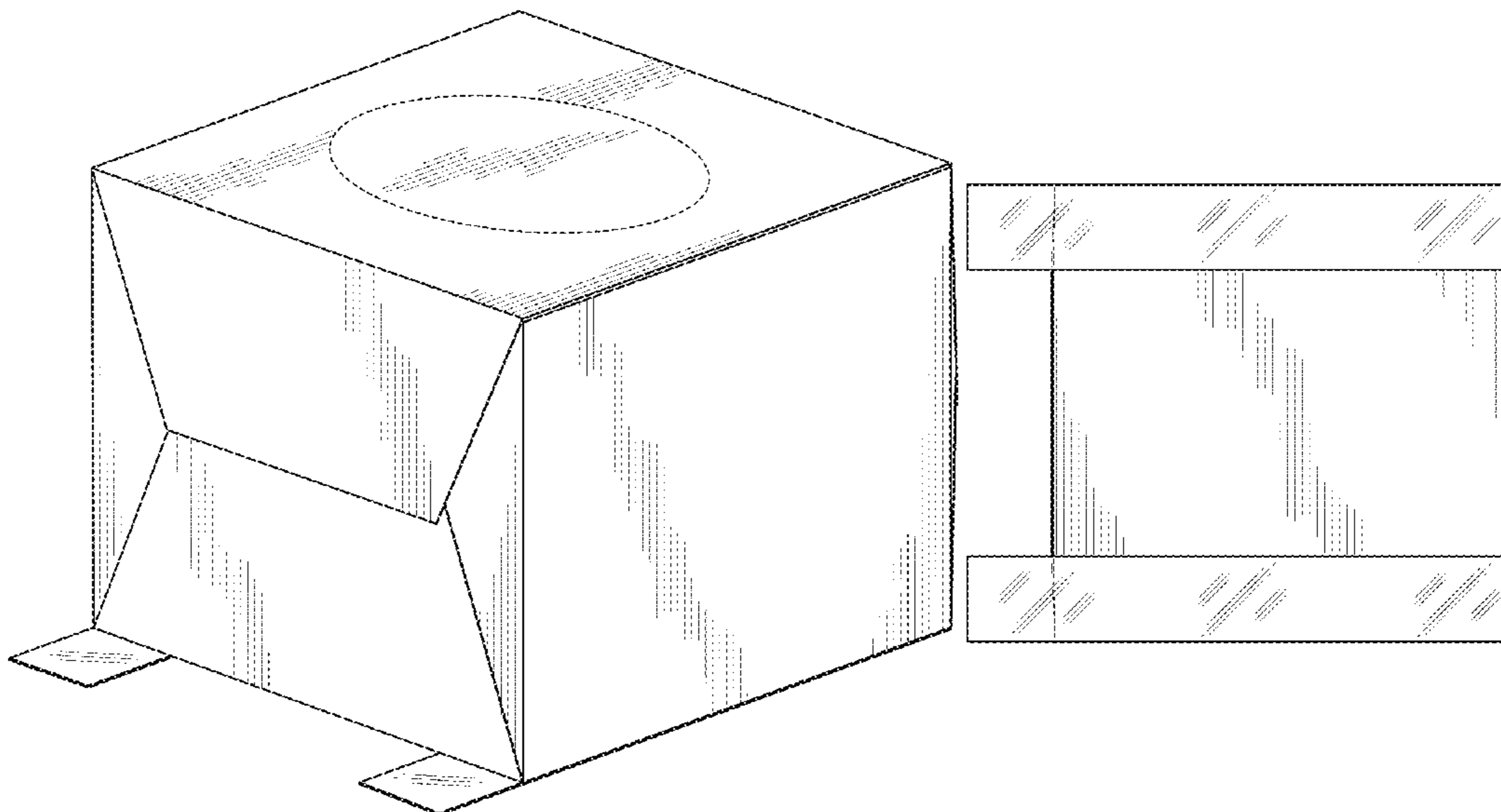
(Continued)

*Primary Examiner* — Lauren R Calve  
(74) *Attorney, Agent, or Firm* — Buche & Associates,  
P.C.; John K. Buche; Bryce A. Johnson

(57) **CLAIM**

I claim the ornamental design for a “tissue box,” as shown and described.

**1 Claim, 16 Drawing Sheets**



(56)

**References Cited**

U.S. PATENT DOCUMENTS

D318,201 S \* 7/1991 King ..... D6/518  
5,127,545 A \* 7/1992 French ..... A45F 5/00  
221/199  
D374,360 S \* 10/1996 Angermeir ..... D6/518  
6,604,628 B1 \* 8/2003 Tanaka ..... A47K 10/421  
206/209  
D748,495 S \* 2/2016 Young ..... D9/734  
D856,702 S \* 8/2019 Mathews ..... D6/518  
2004/0245266 A1 \* 12/2004 Mitchell ..... B65D 75/566  
221/33  
2008/0277440 A1 \* 11/2008 Chen ..... B65D 25/22  
220/737  
2011/0011879 A1 \* 1/2011 Johnson ..... A47K 10/422  
221/45  
2017/0355490 A1 \* 12/2017 LaMee ..... A47K 10/421  
2018/0148216 A1 \* 5/2018 Stephens ..... B65B 61/182

\* cited by examiner

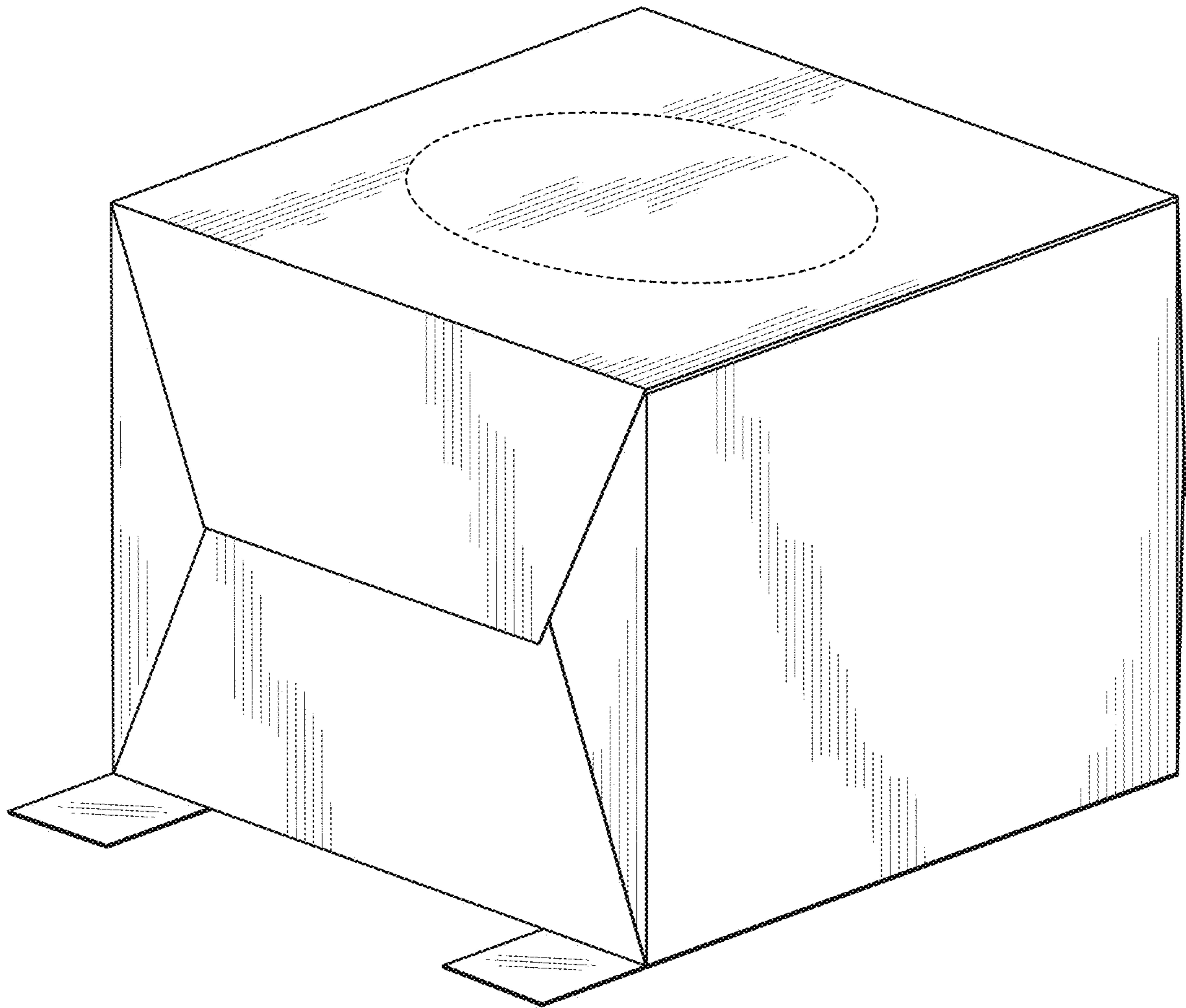


FIG. 1

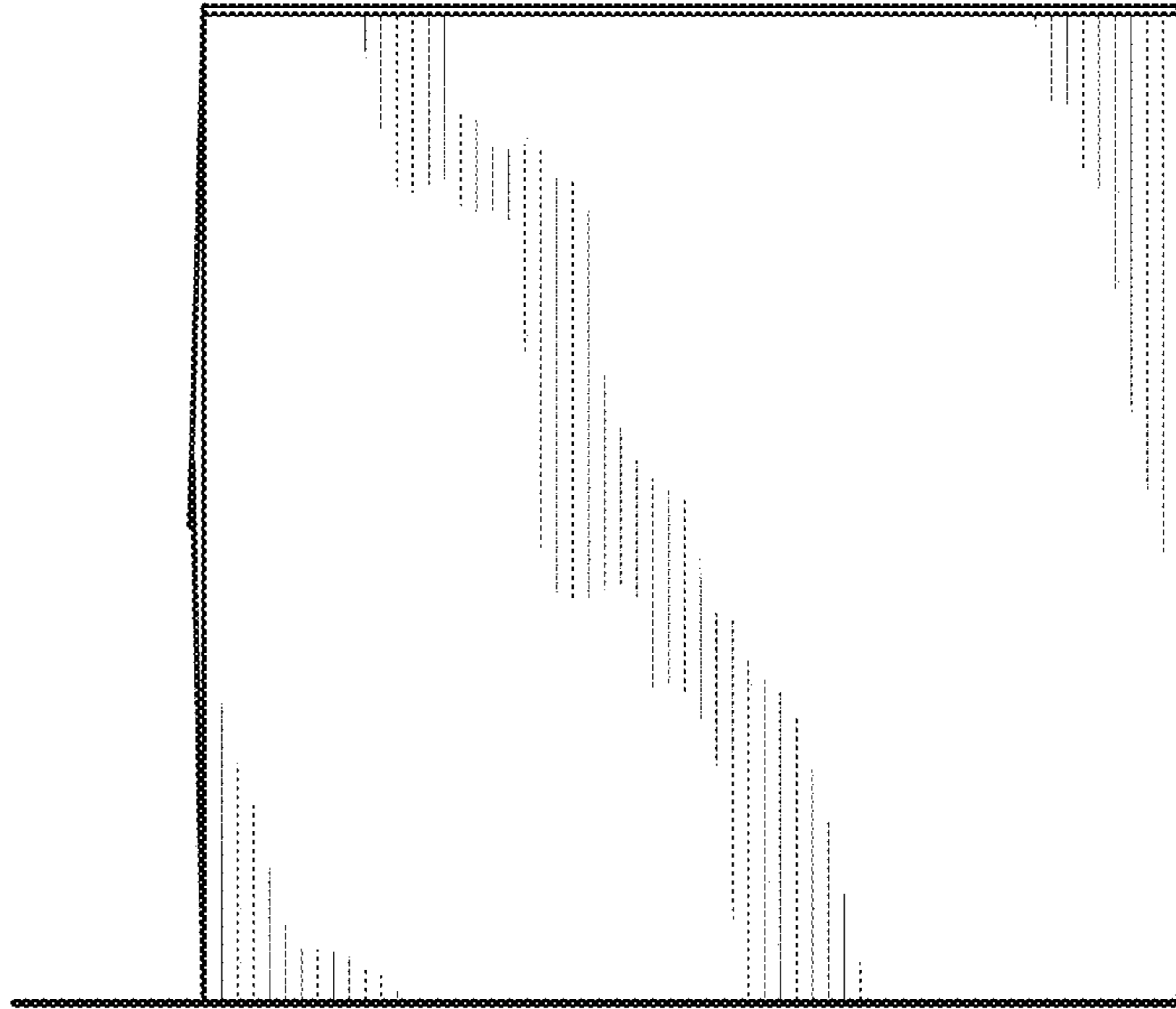


FIG. 2

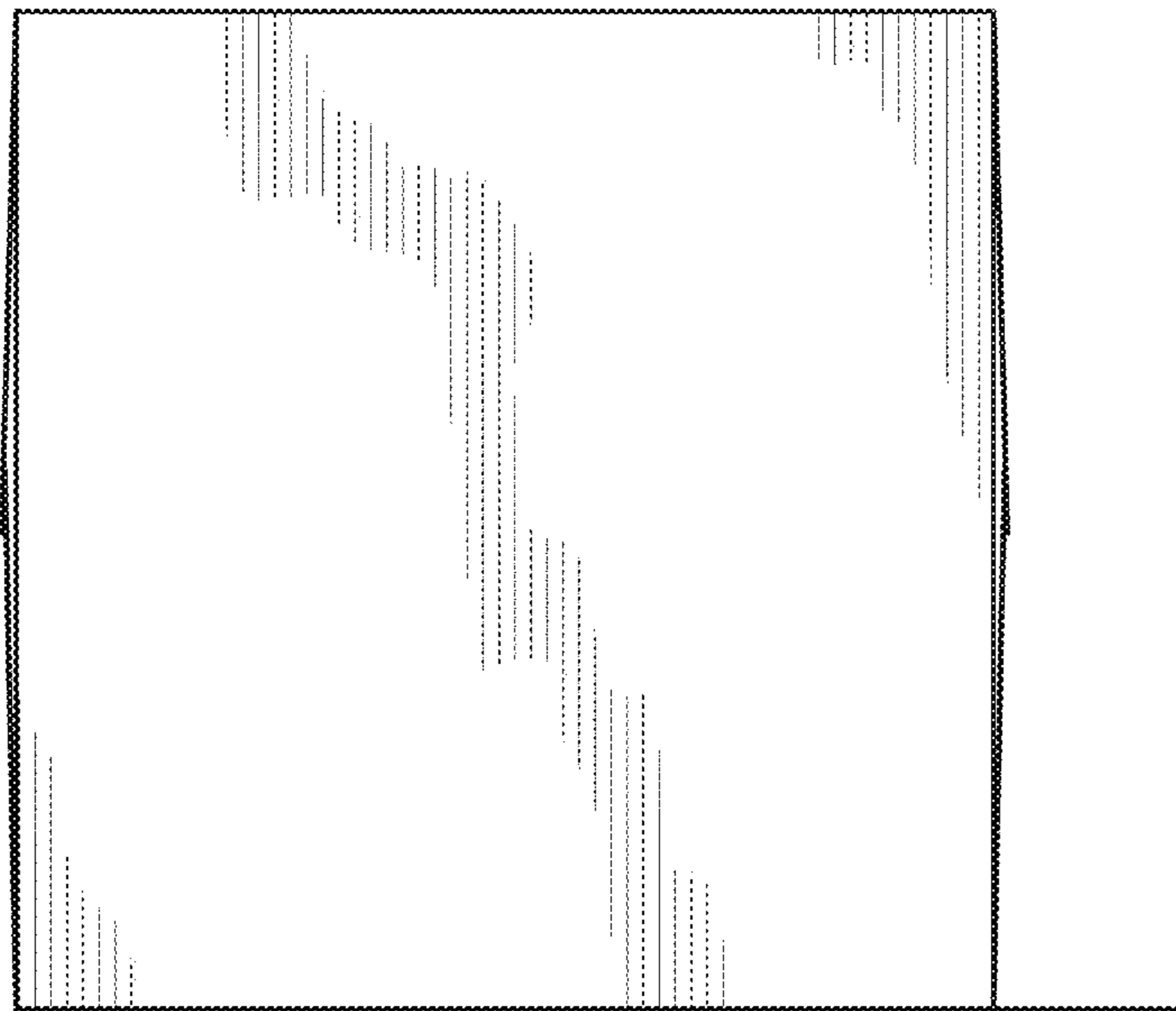


FIG. 3

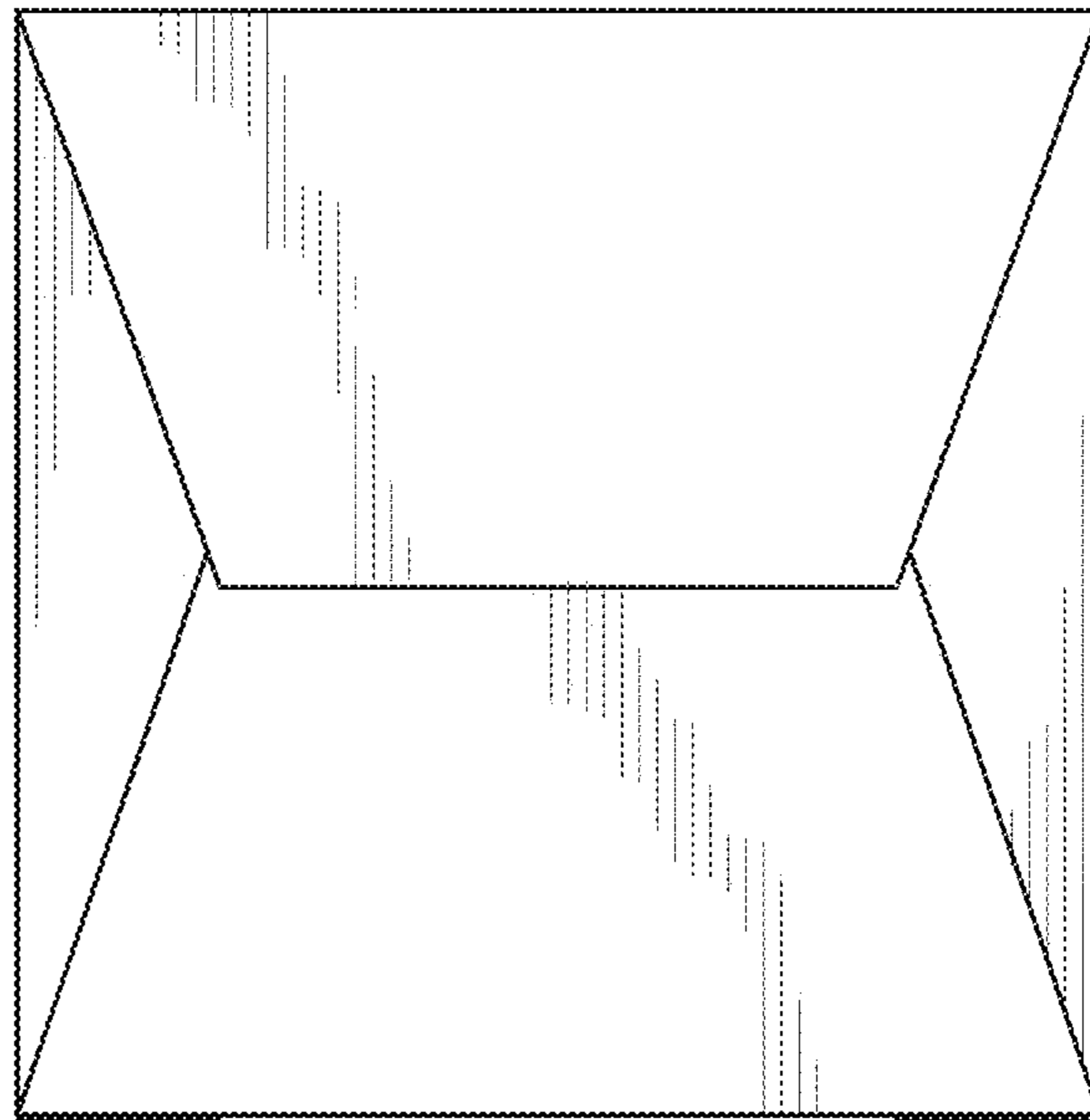


FIG. 4

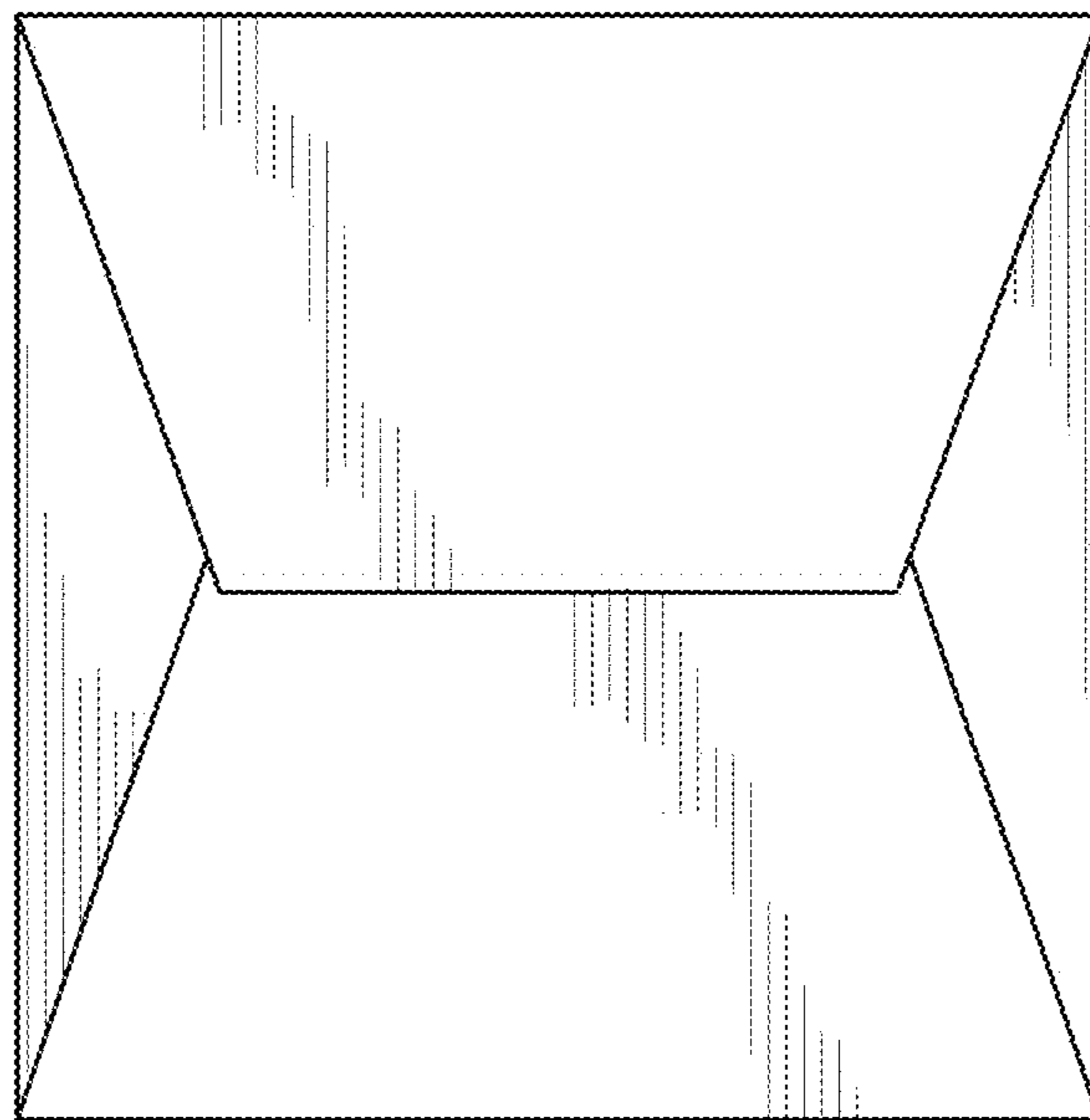


FIG. 5

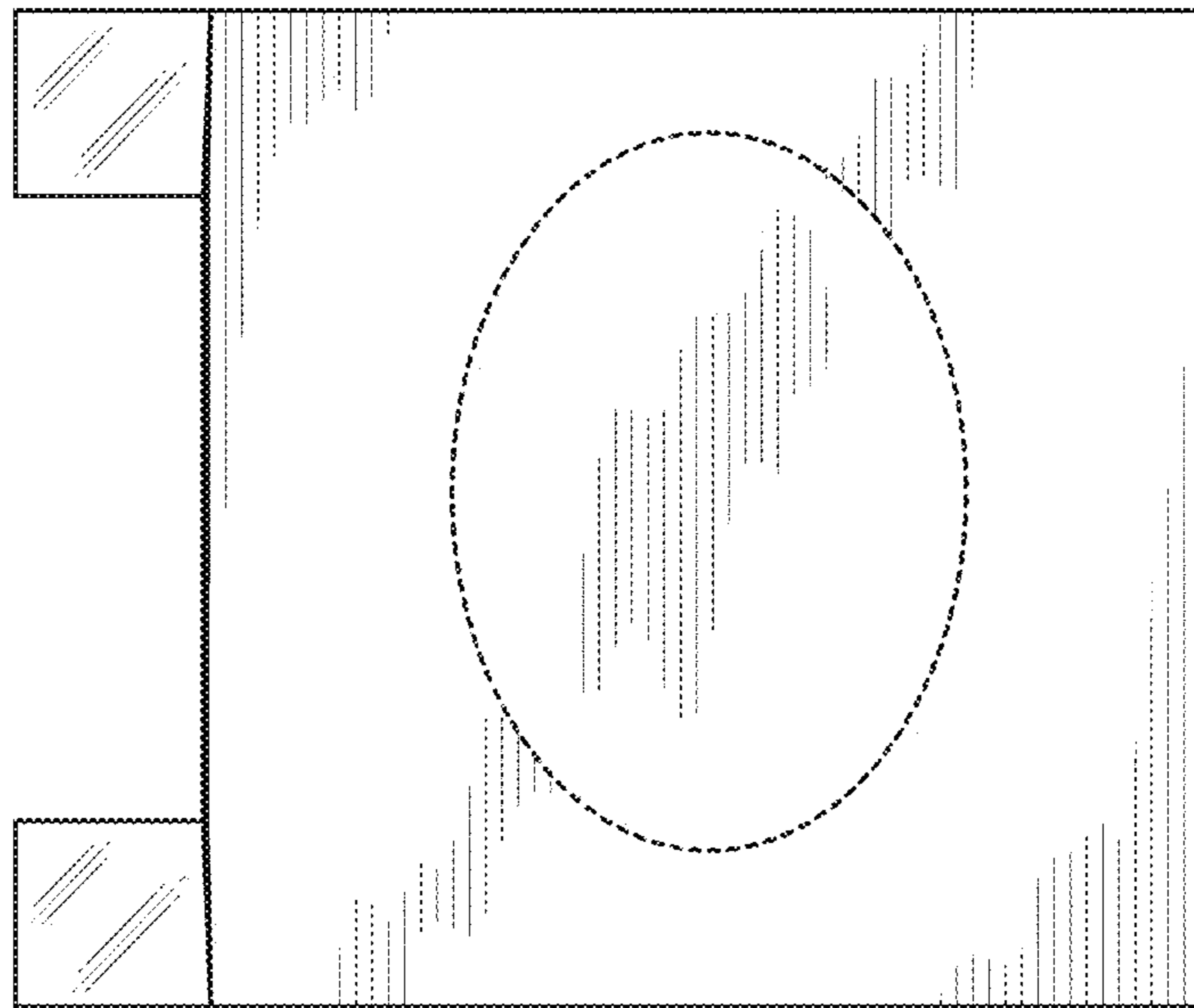


FIG. 6

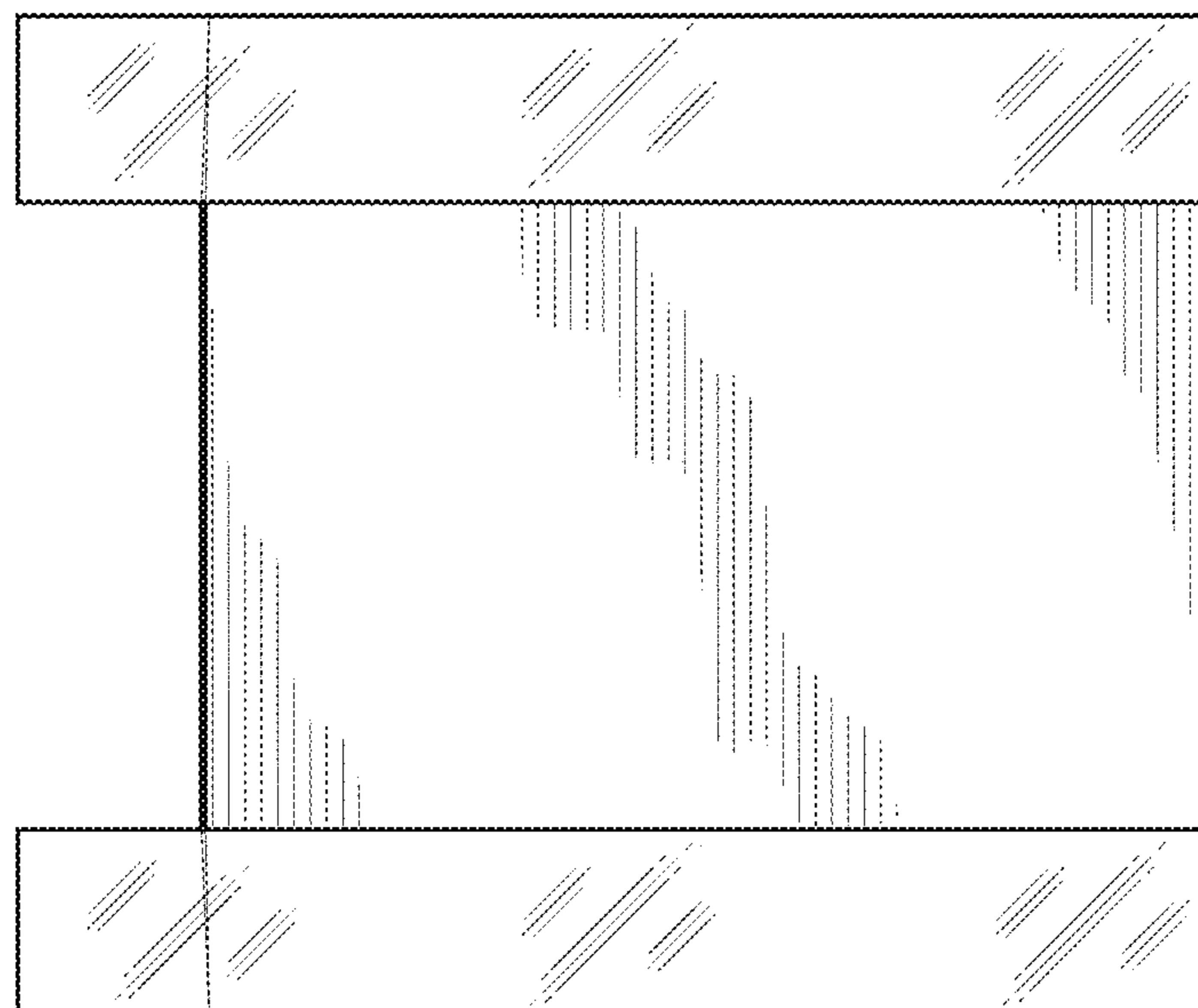


FIG. 7

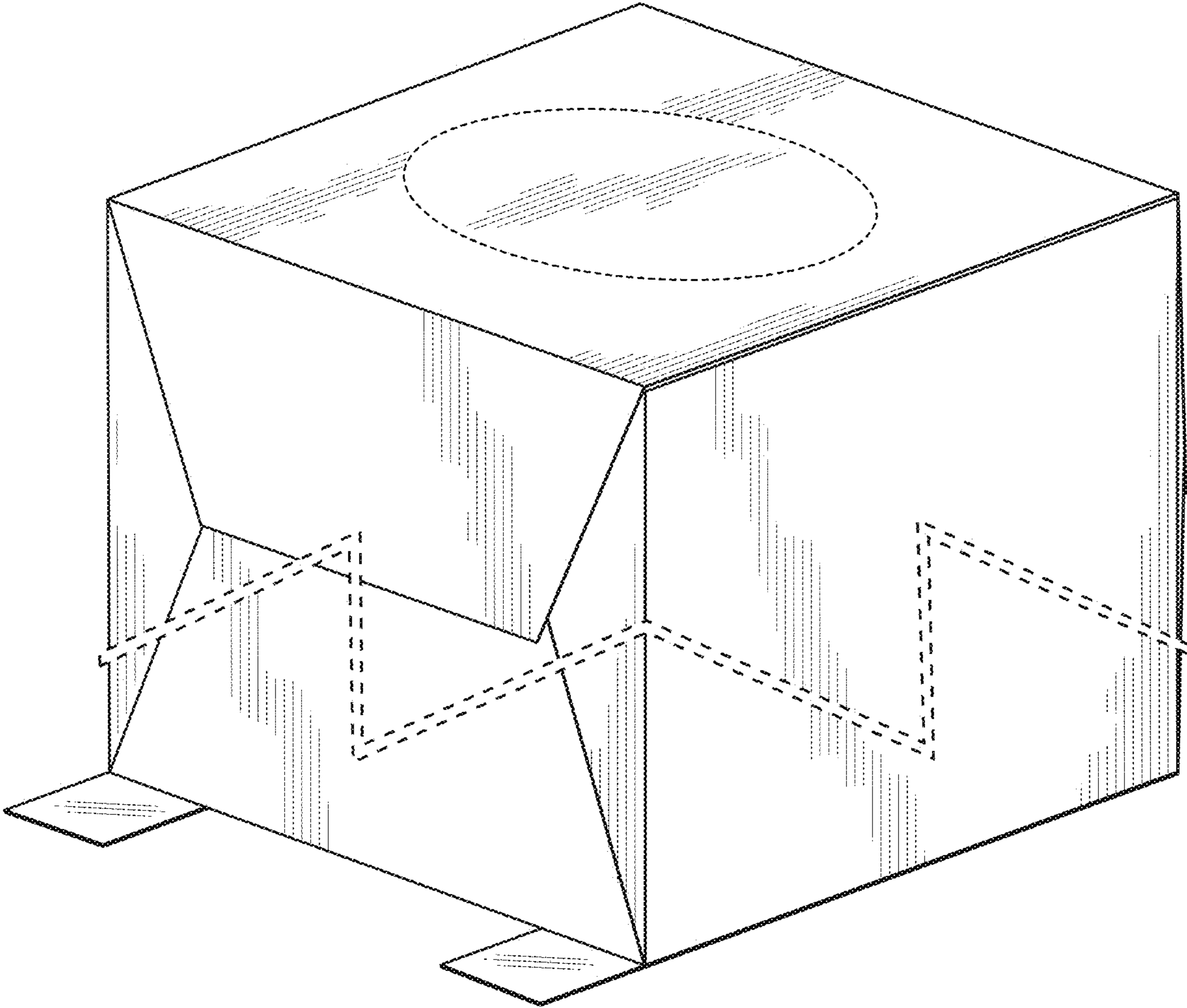


FIG. 8

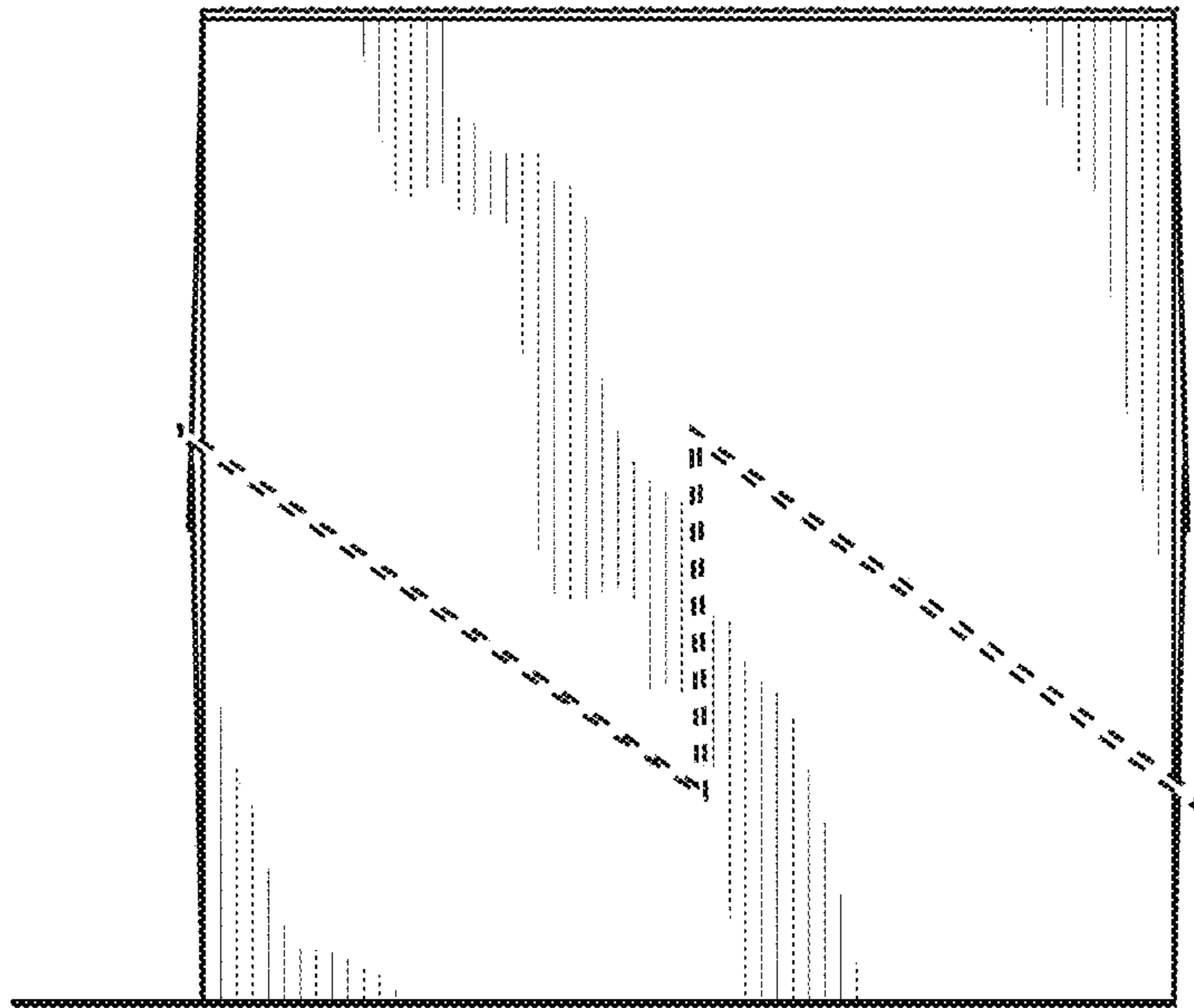


FIG. 9

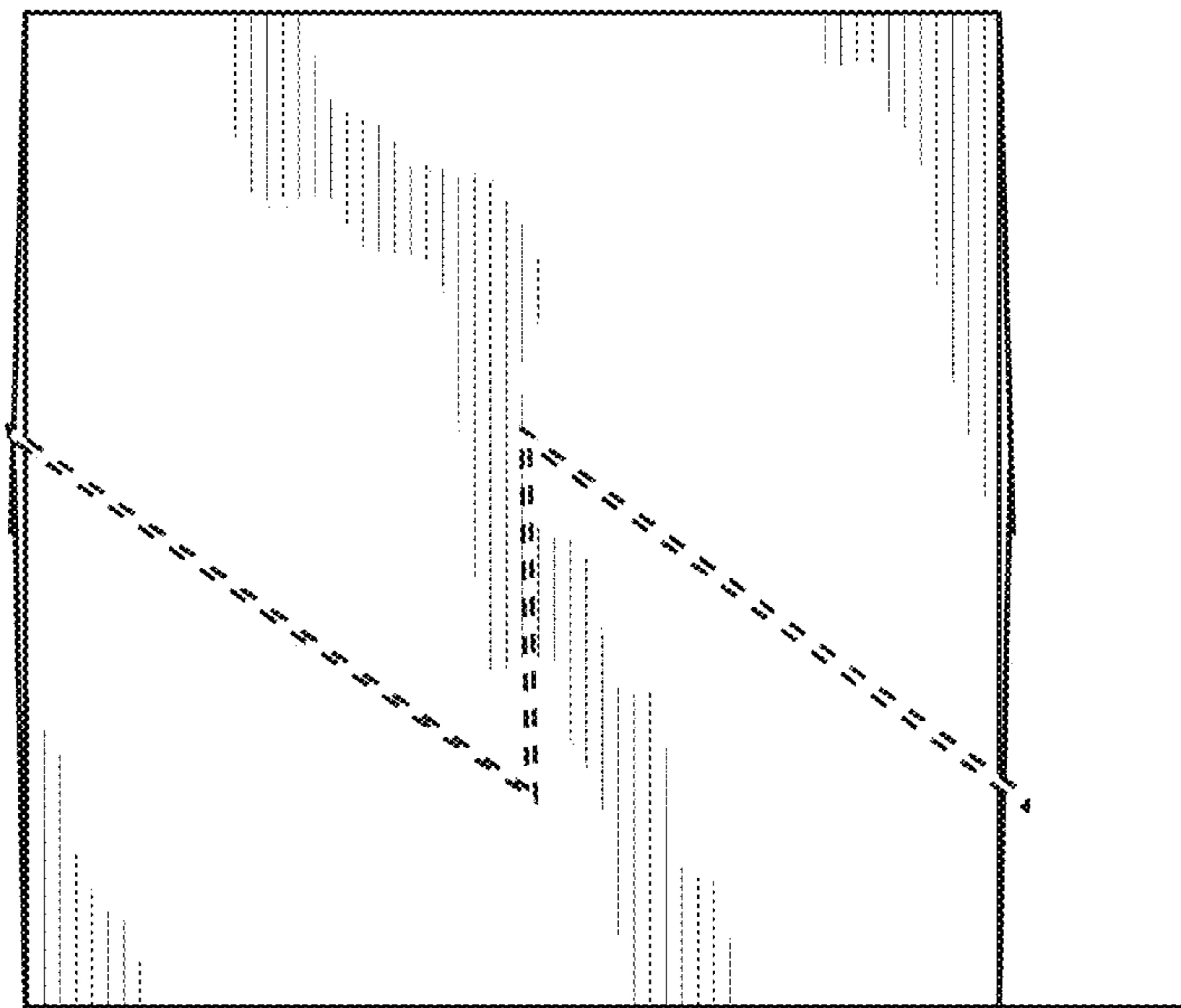


FIG. 10



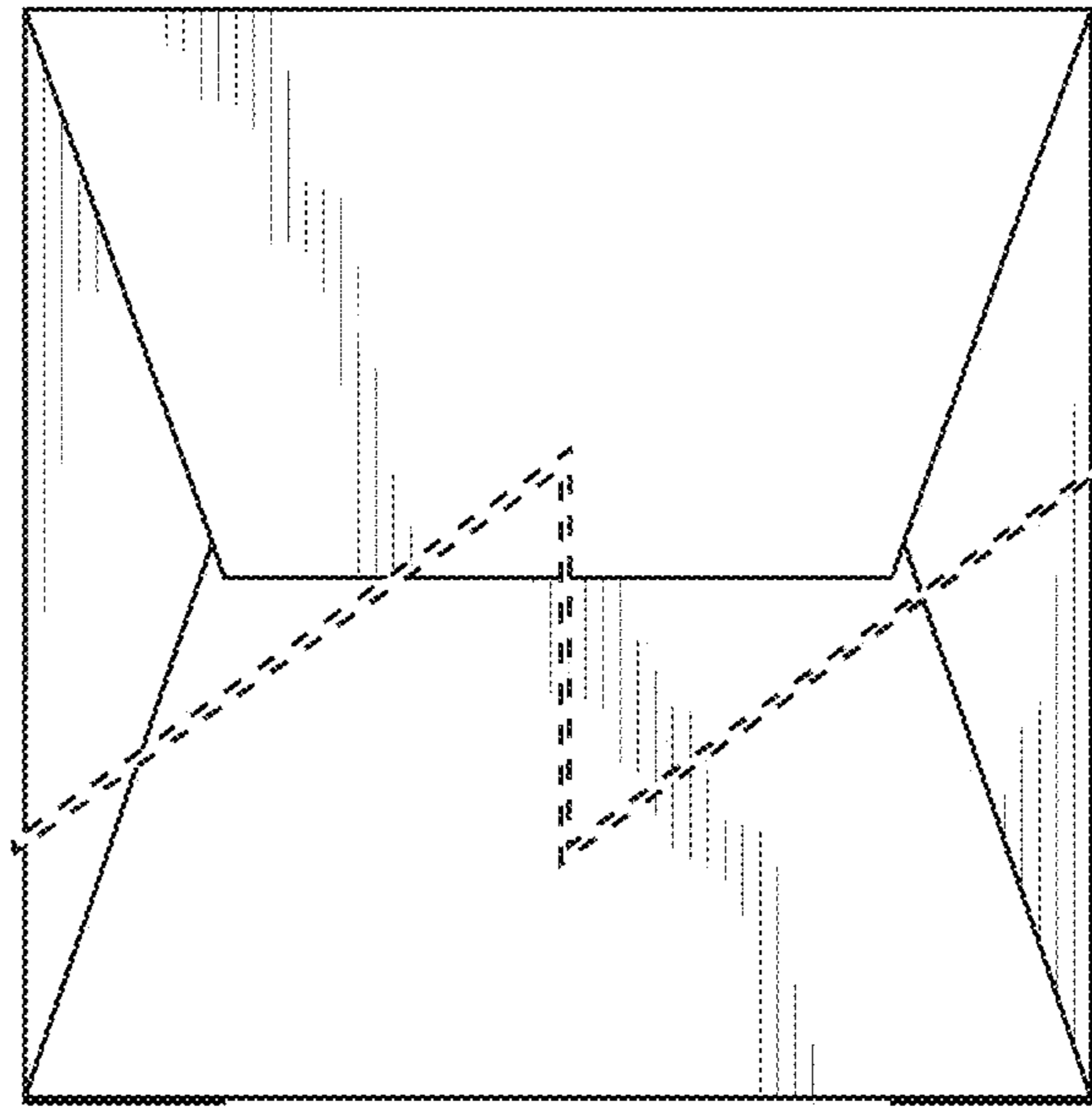


FIG. 11

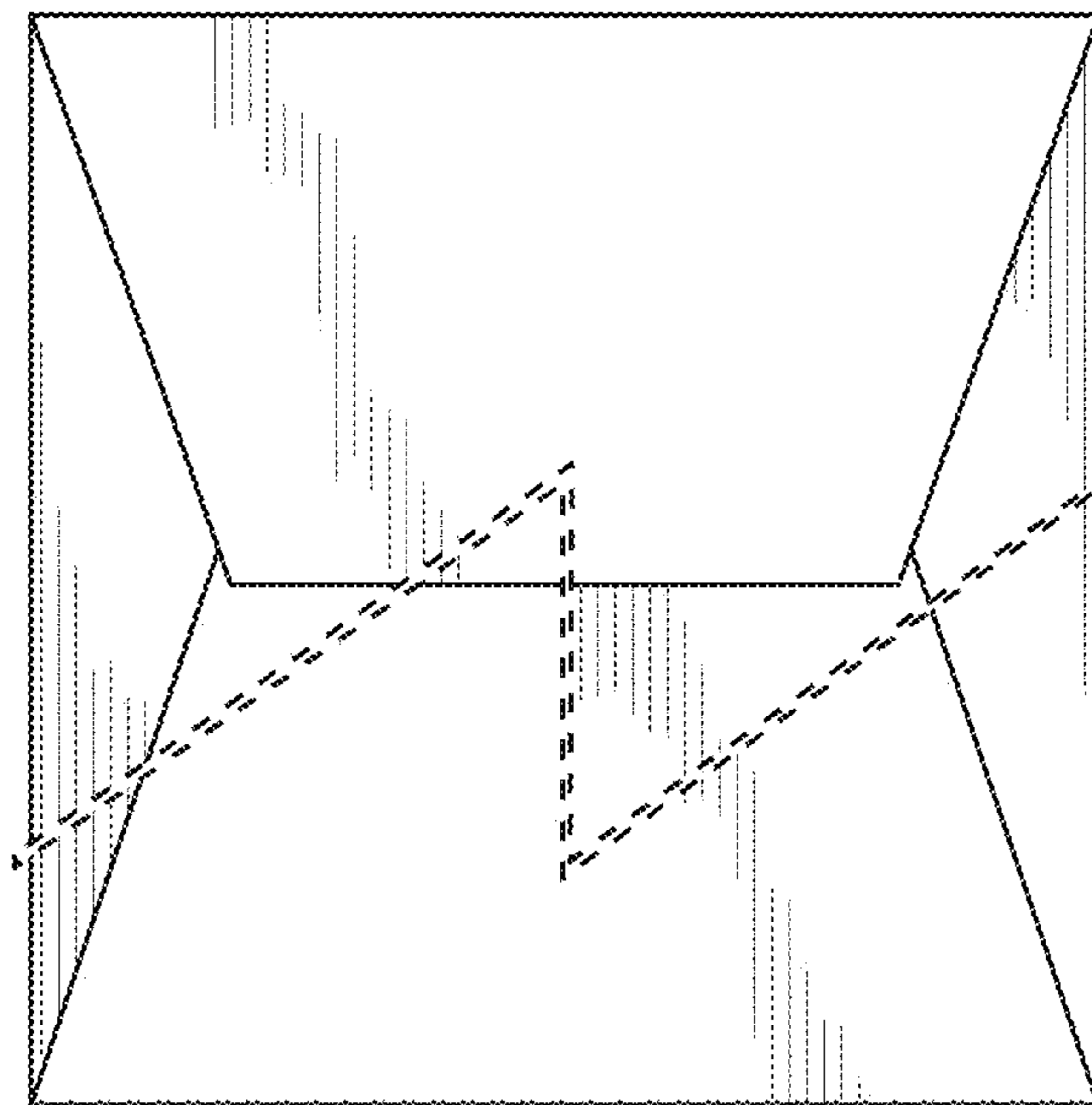


FIG. 12

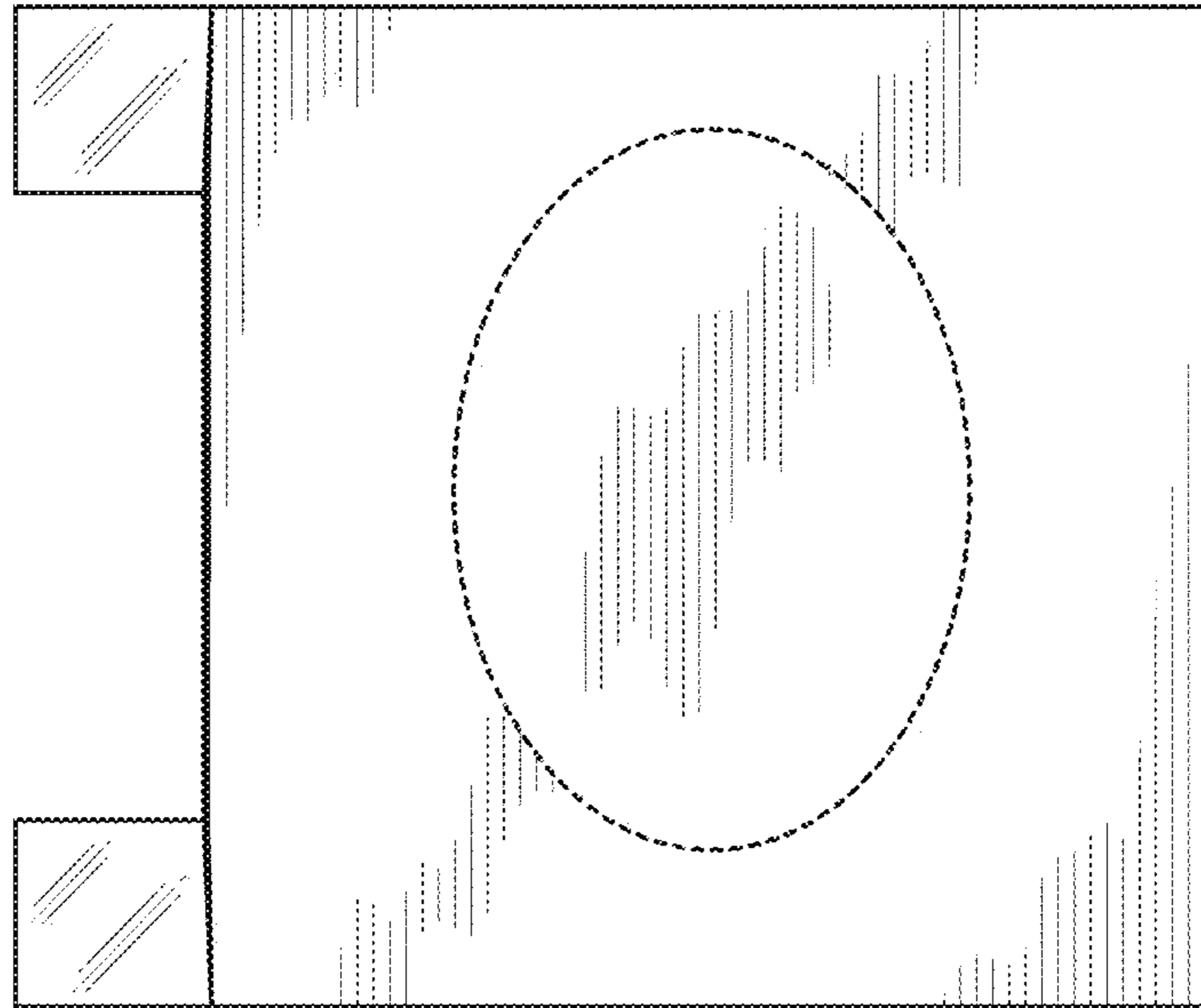


FIG. 13

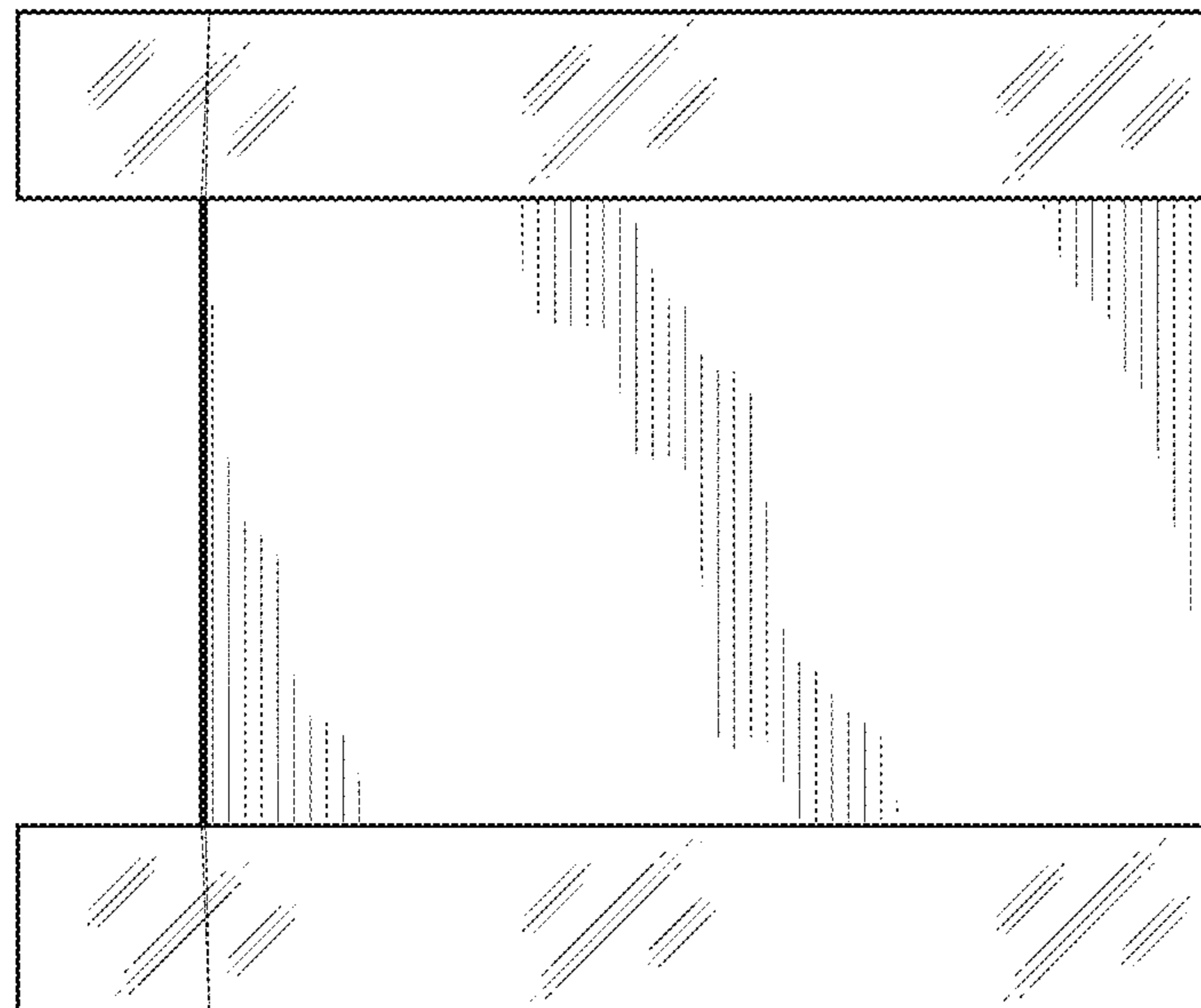


FIG. 14

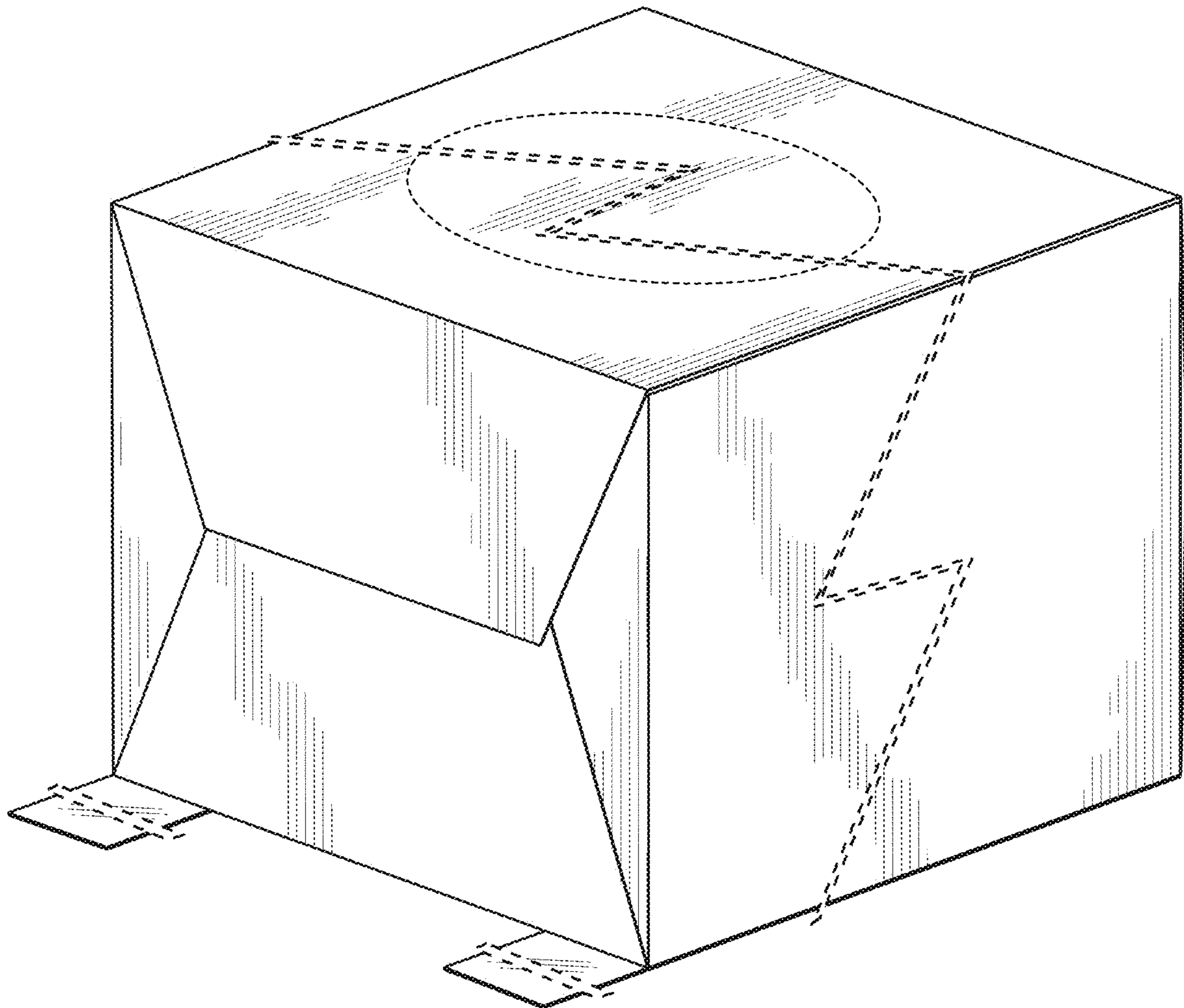


FIG. 15

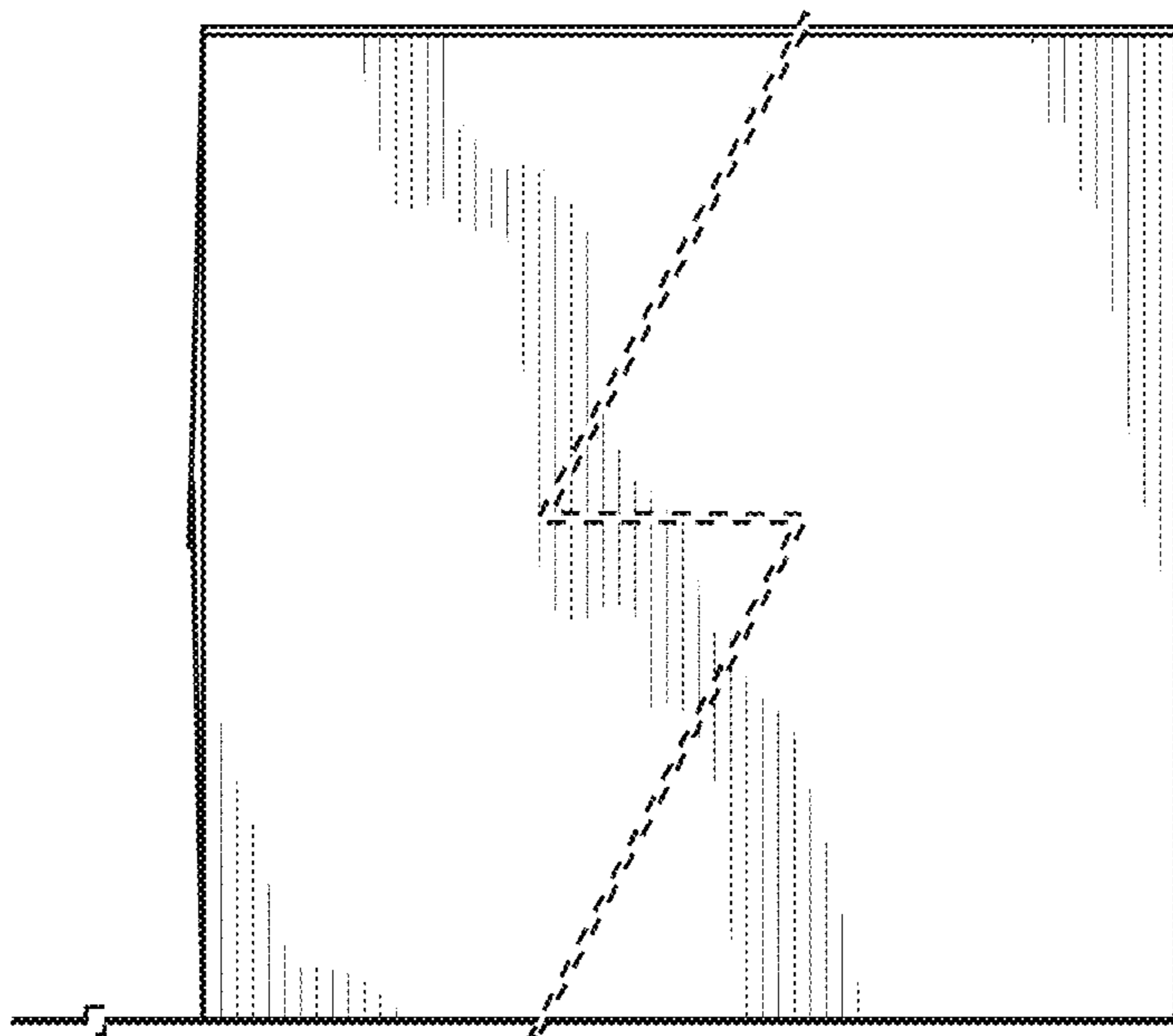


FIG. 16

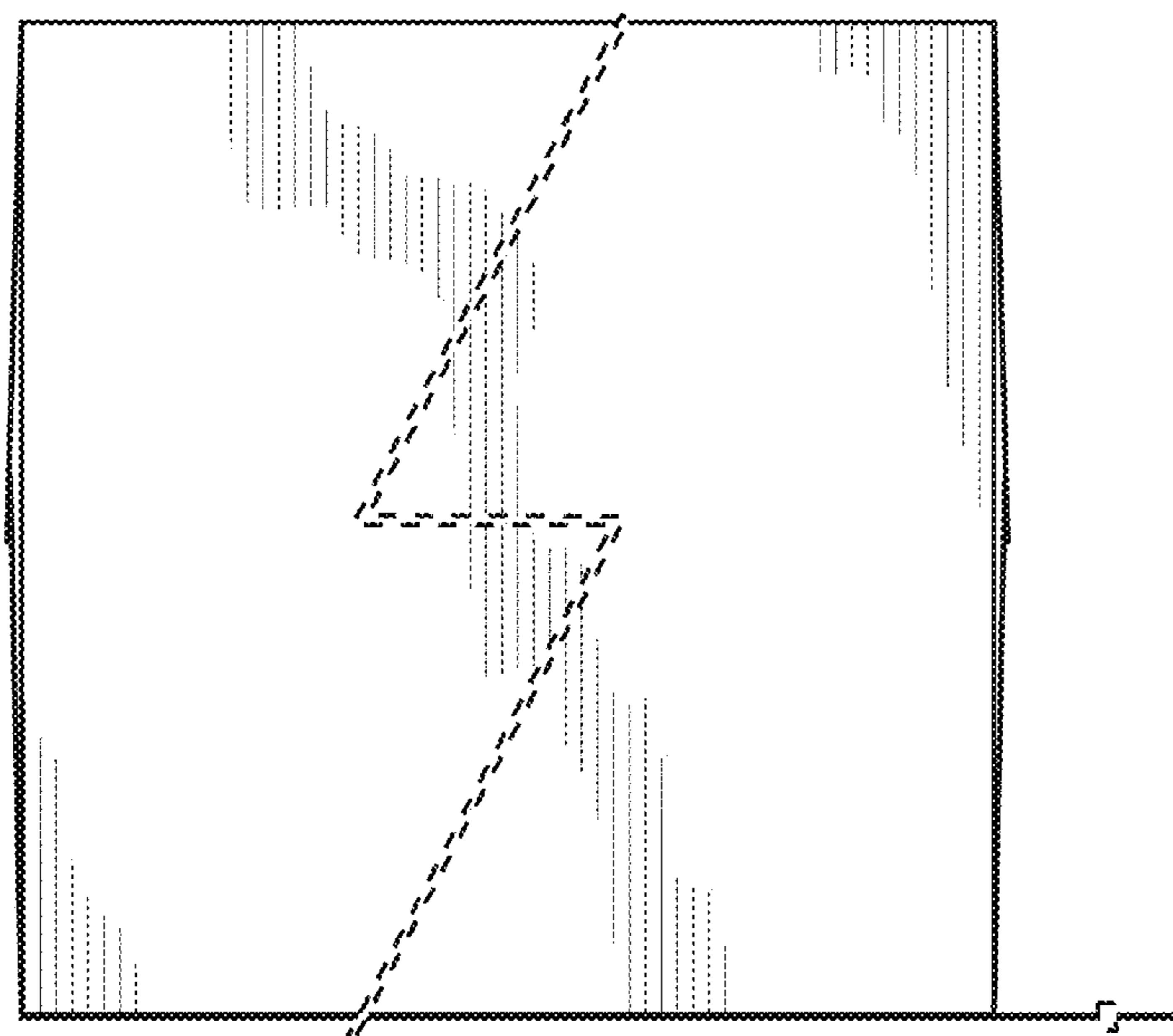


FIG. 17

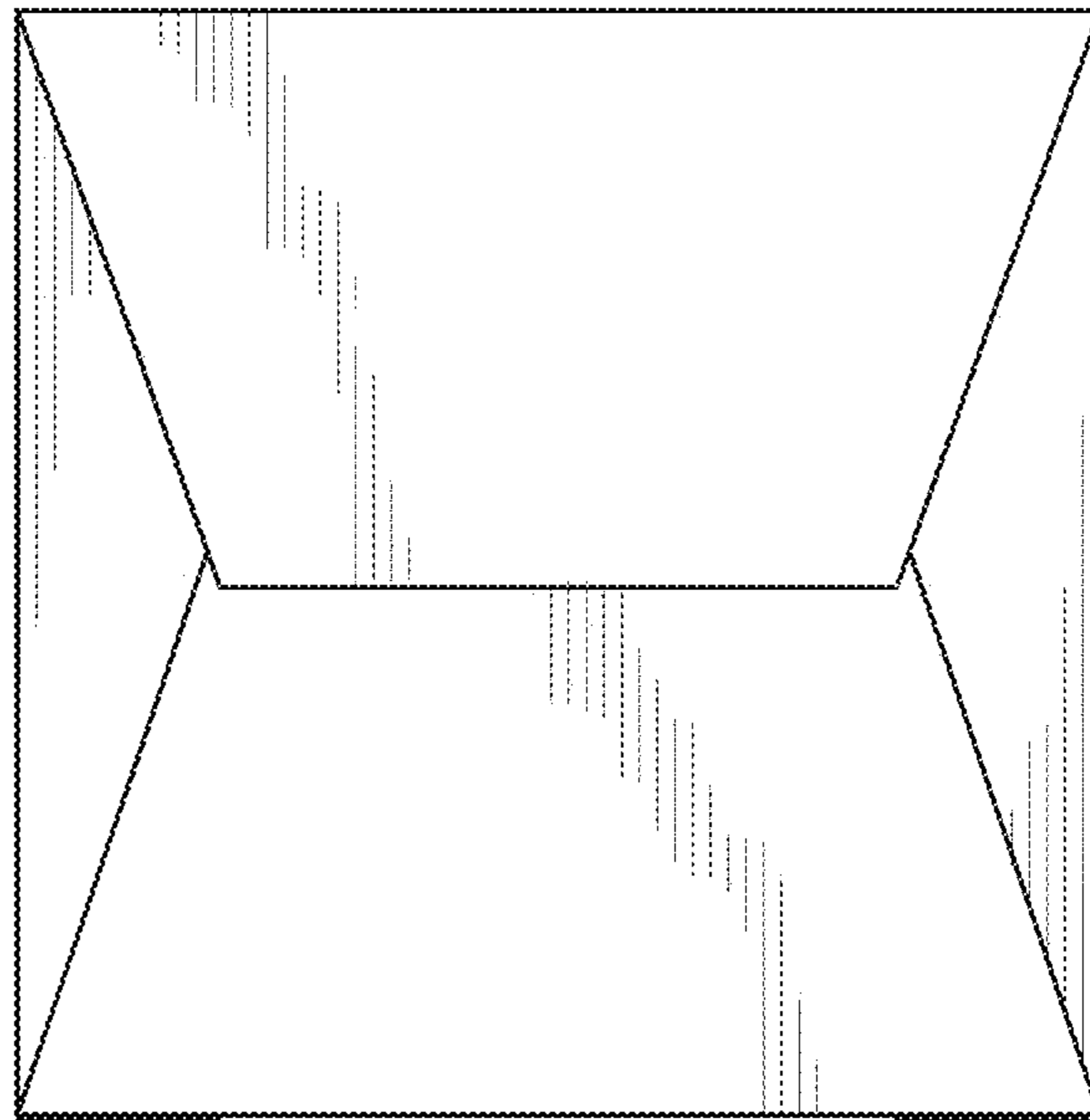


FIG. 18

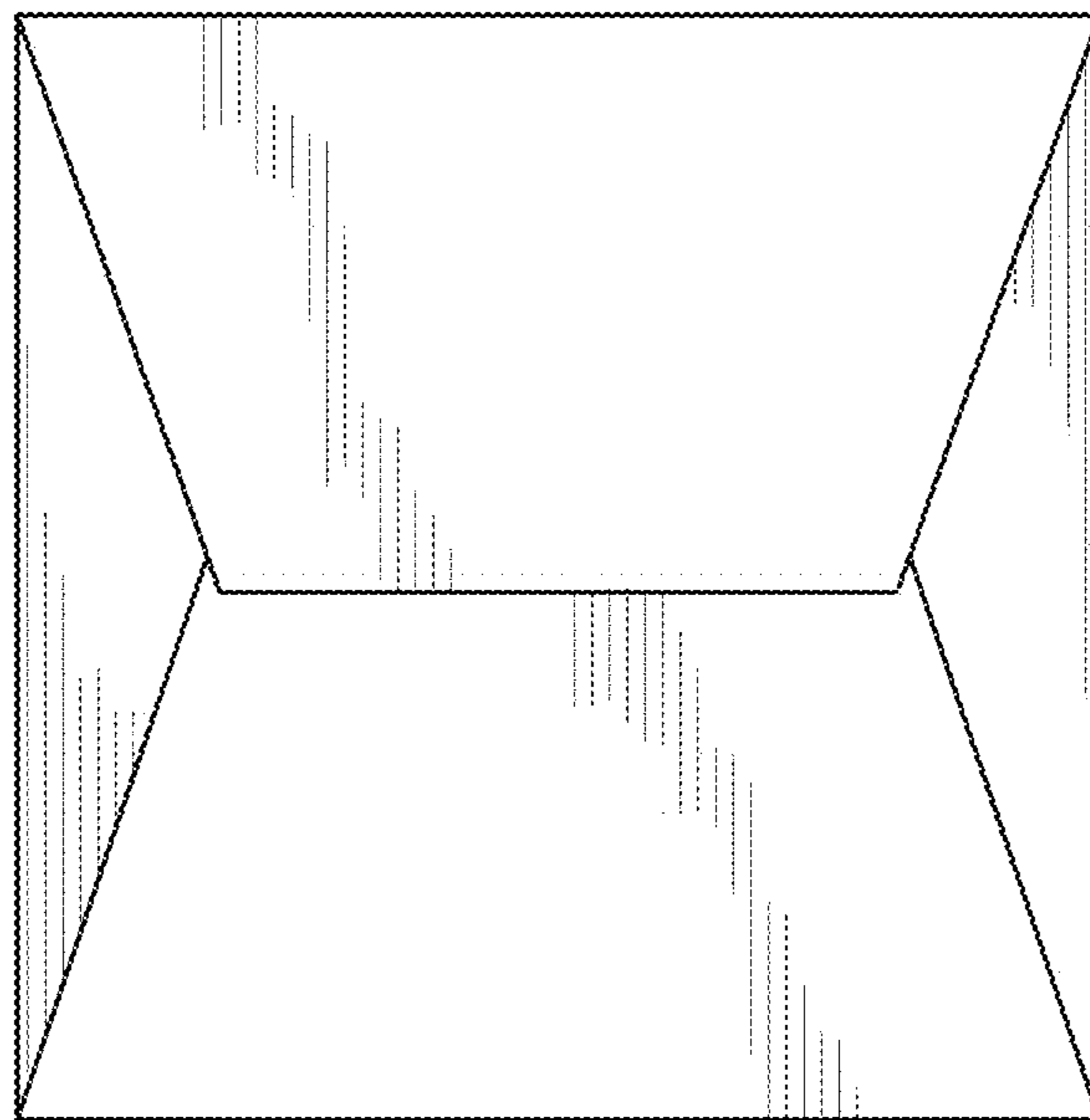


FIG. 19

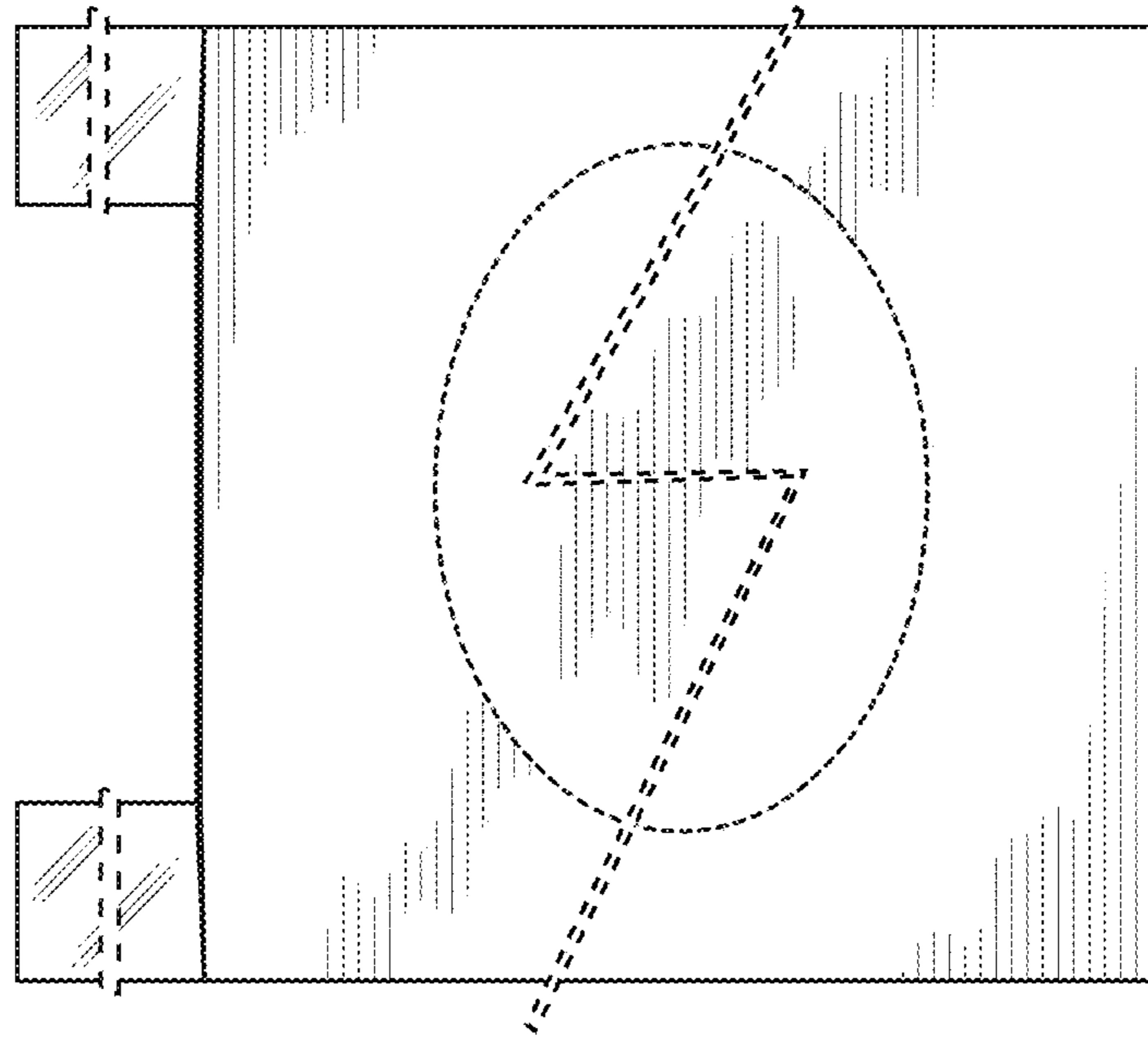


FIG. 20

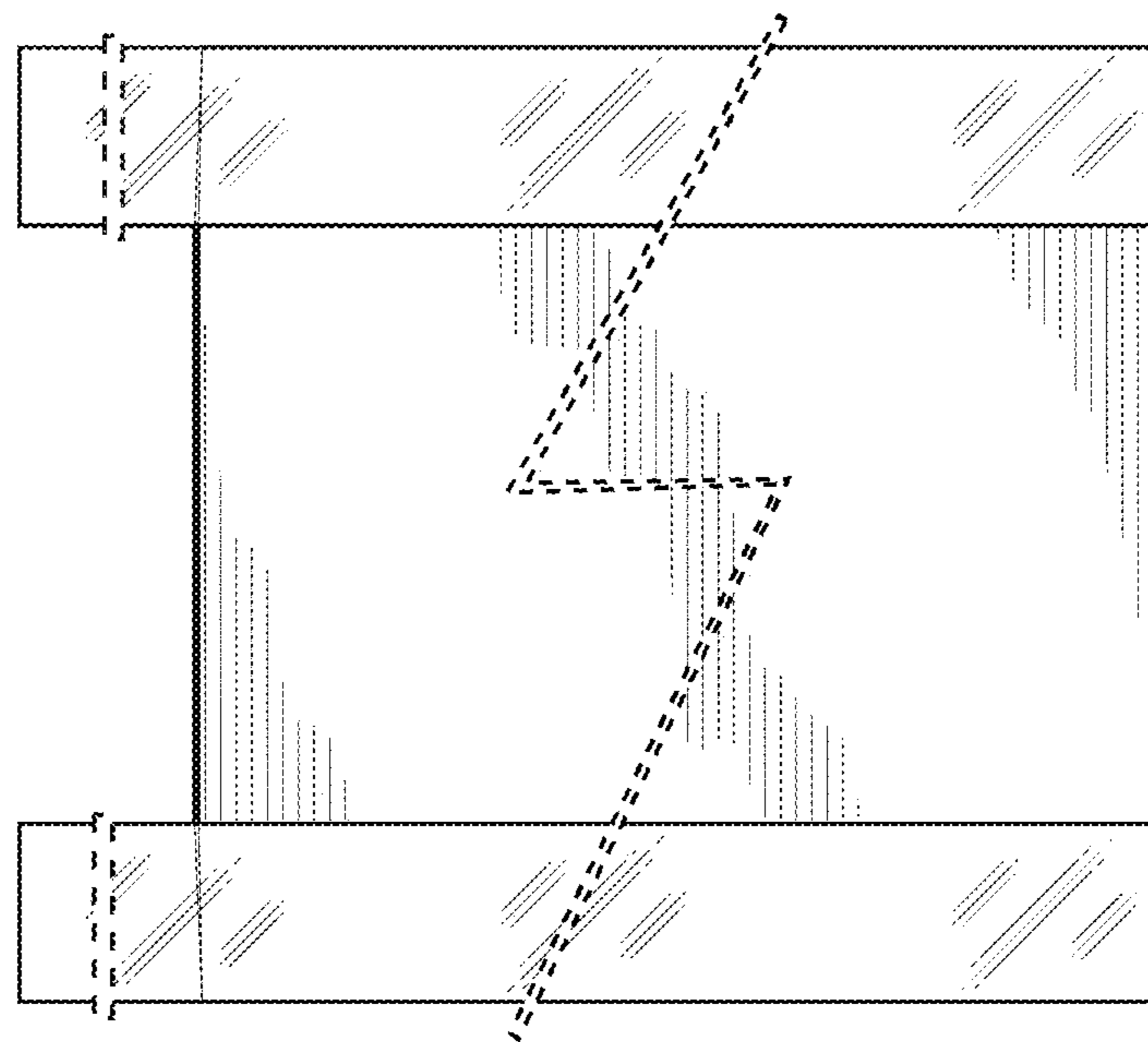


FIG. 21

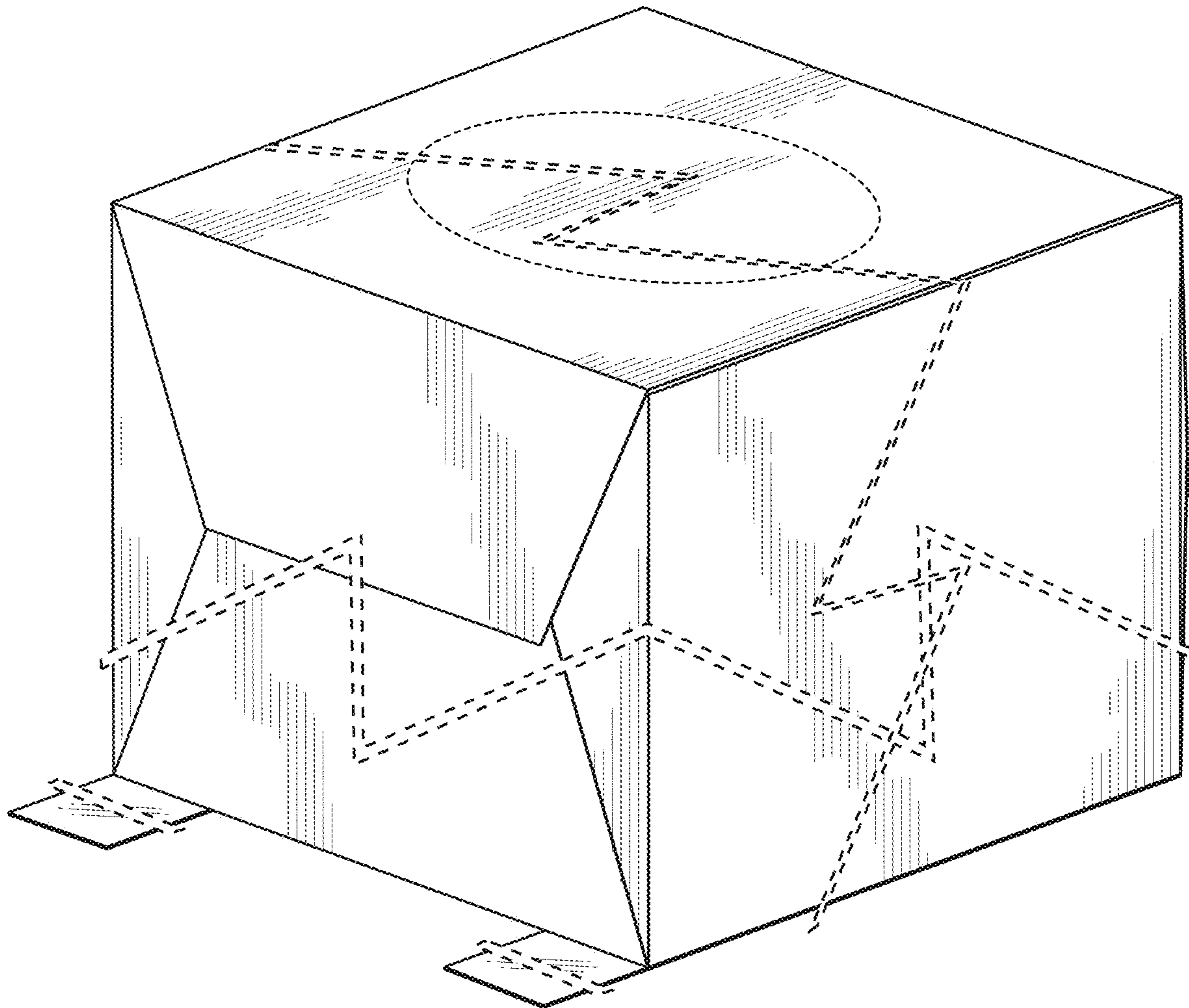


FIG. 22

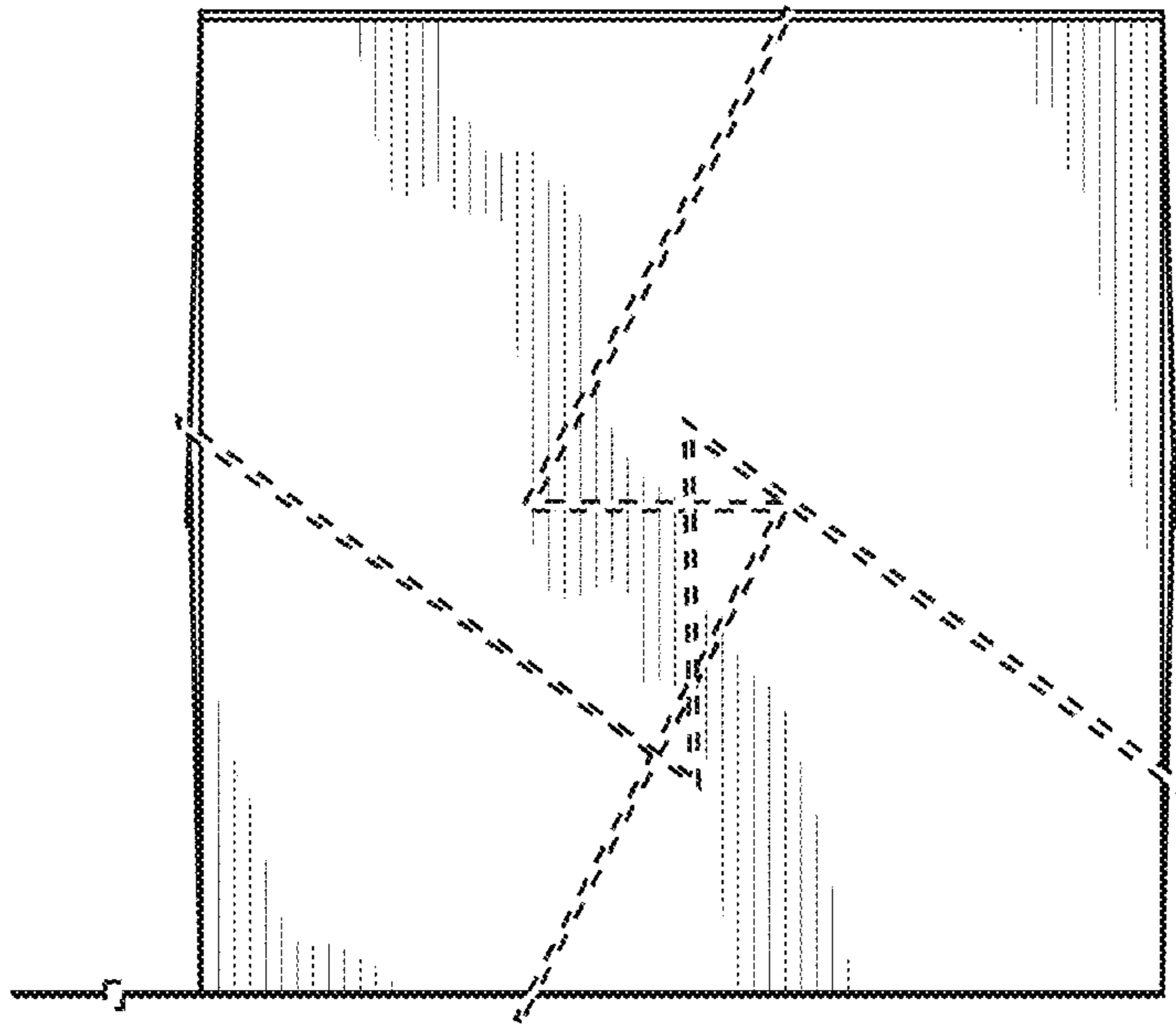


FIG. 23

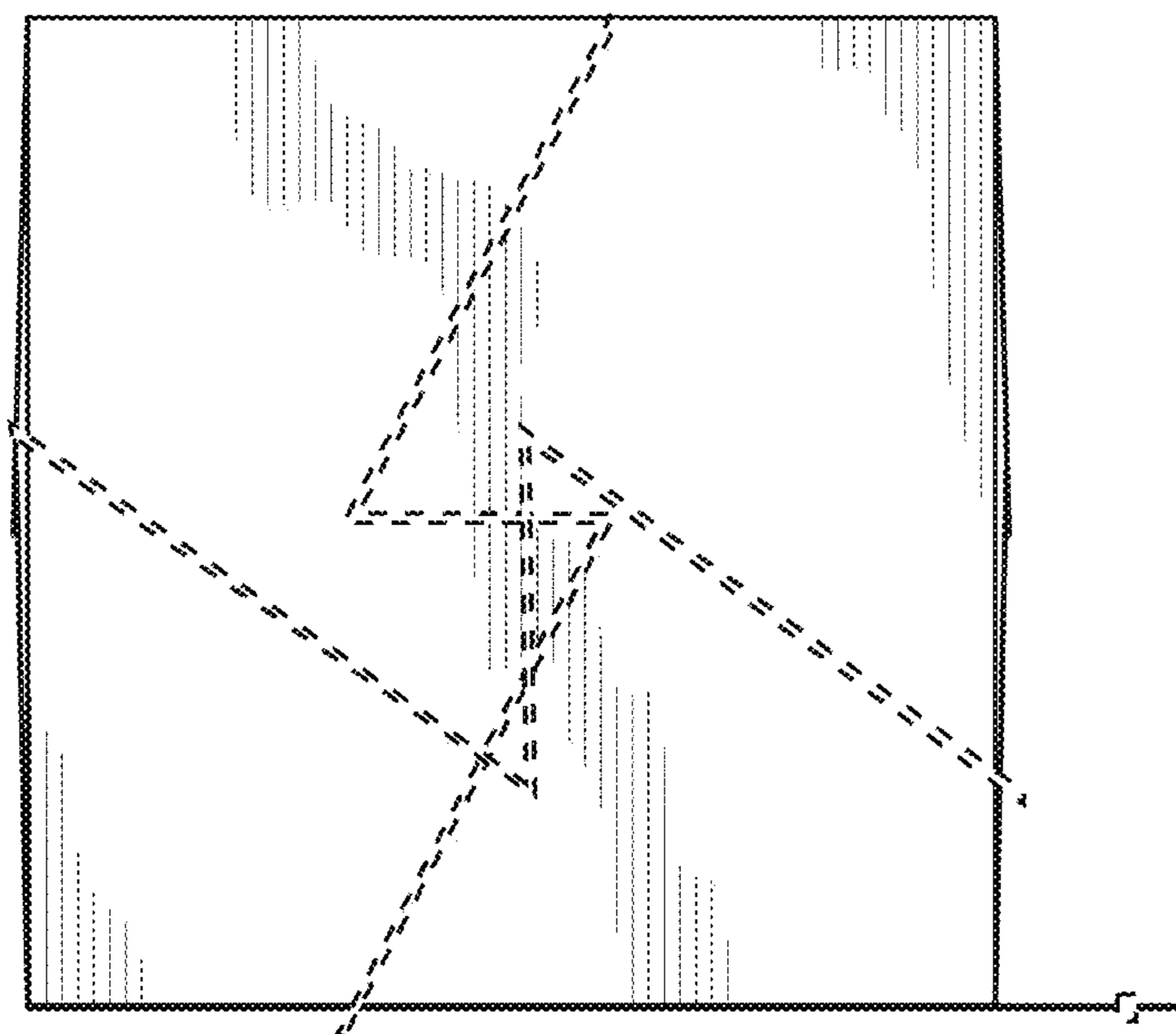


FIG. 24



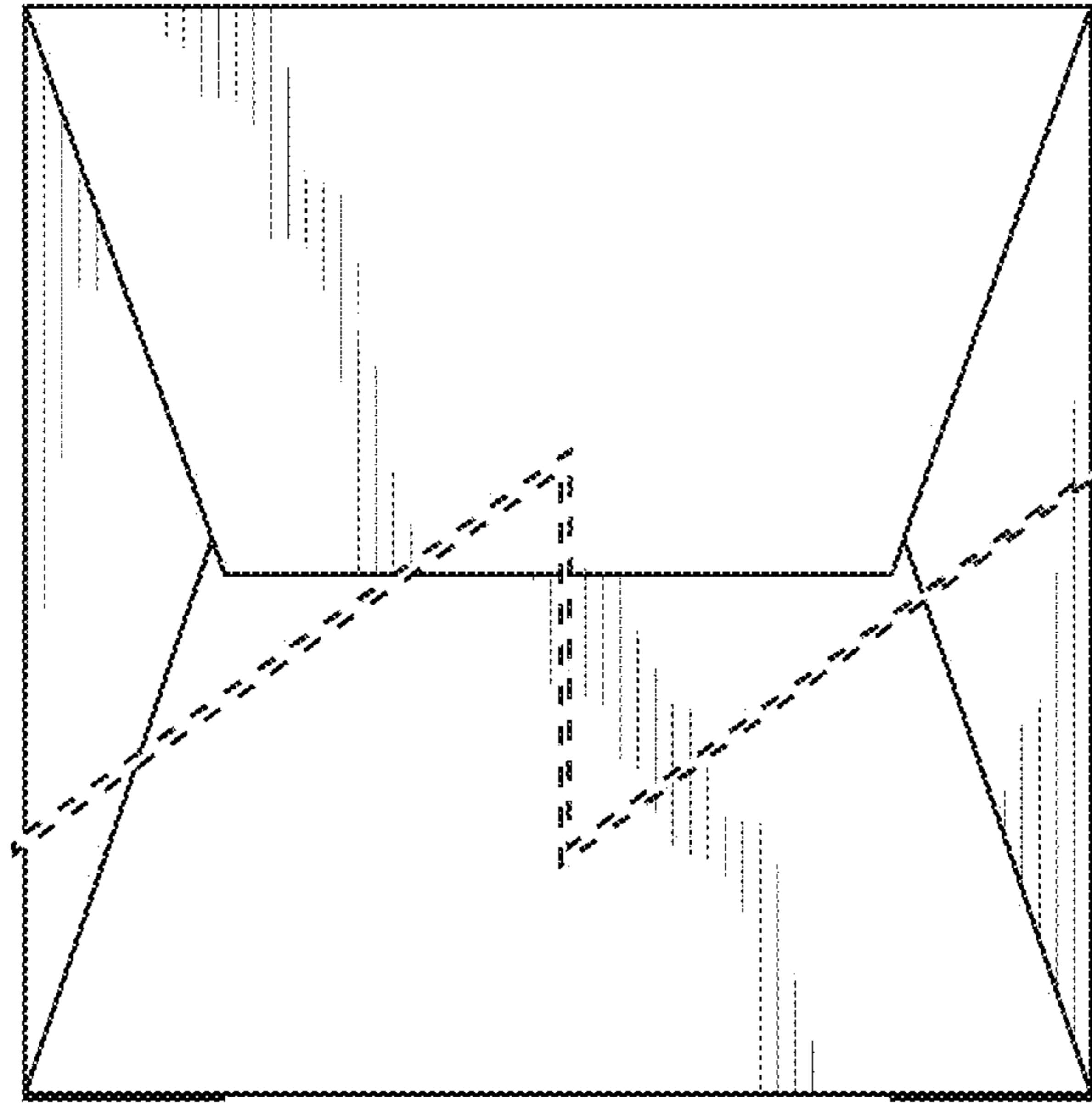


FIG. 25

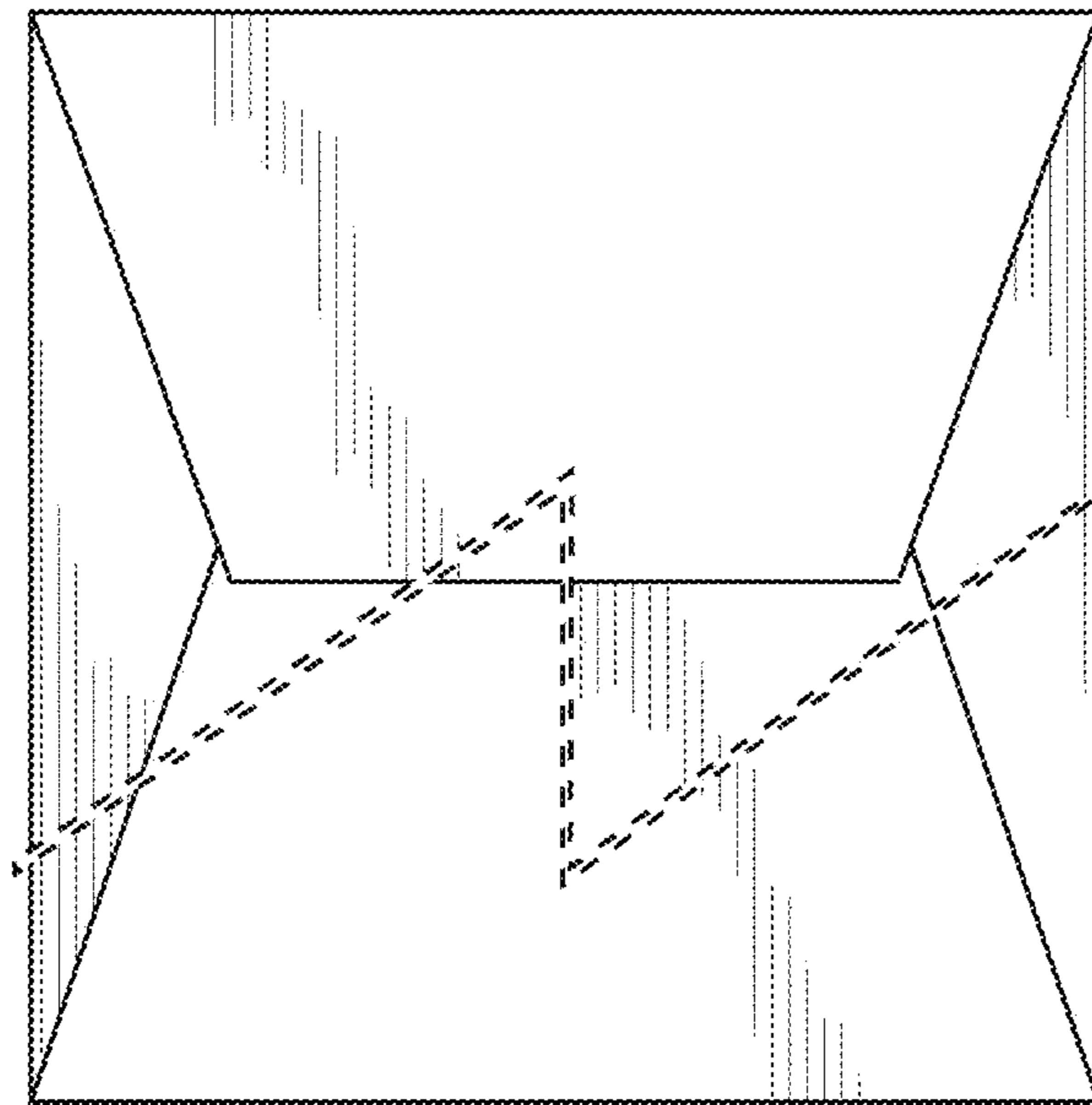


FIG. 26

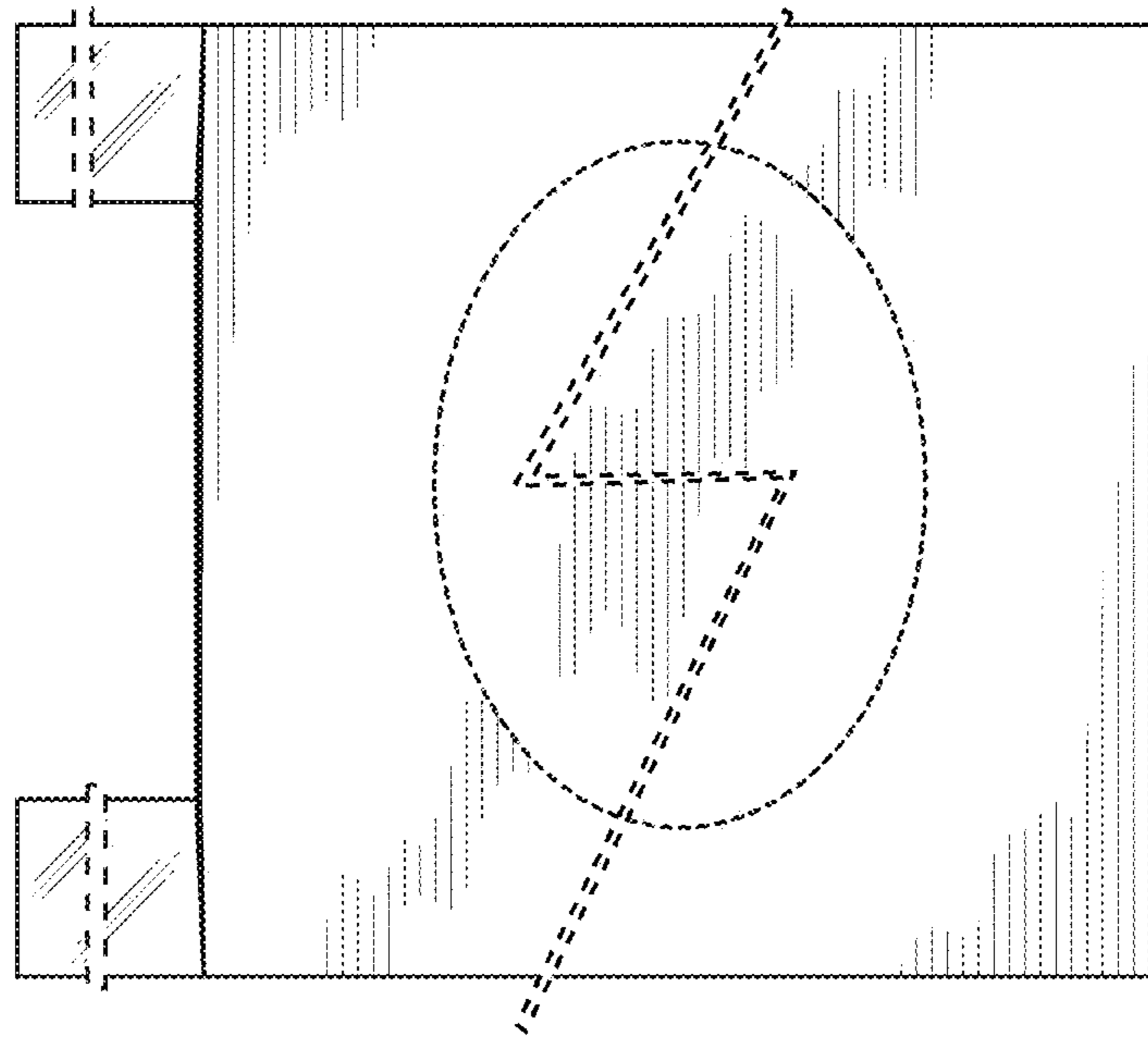


FIG. 27

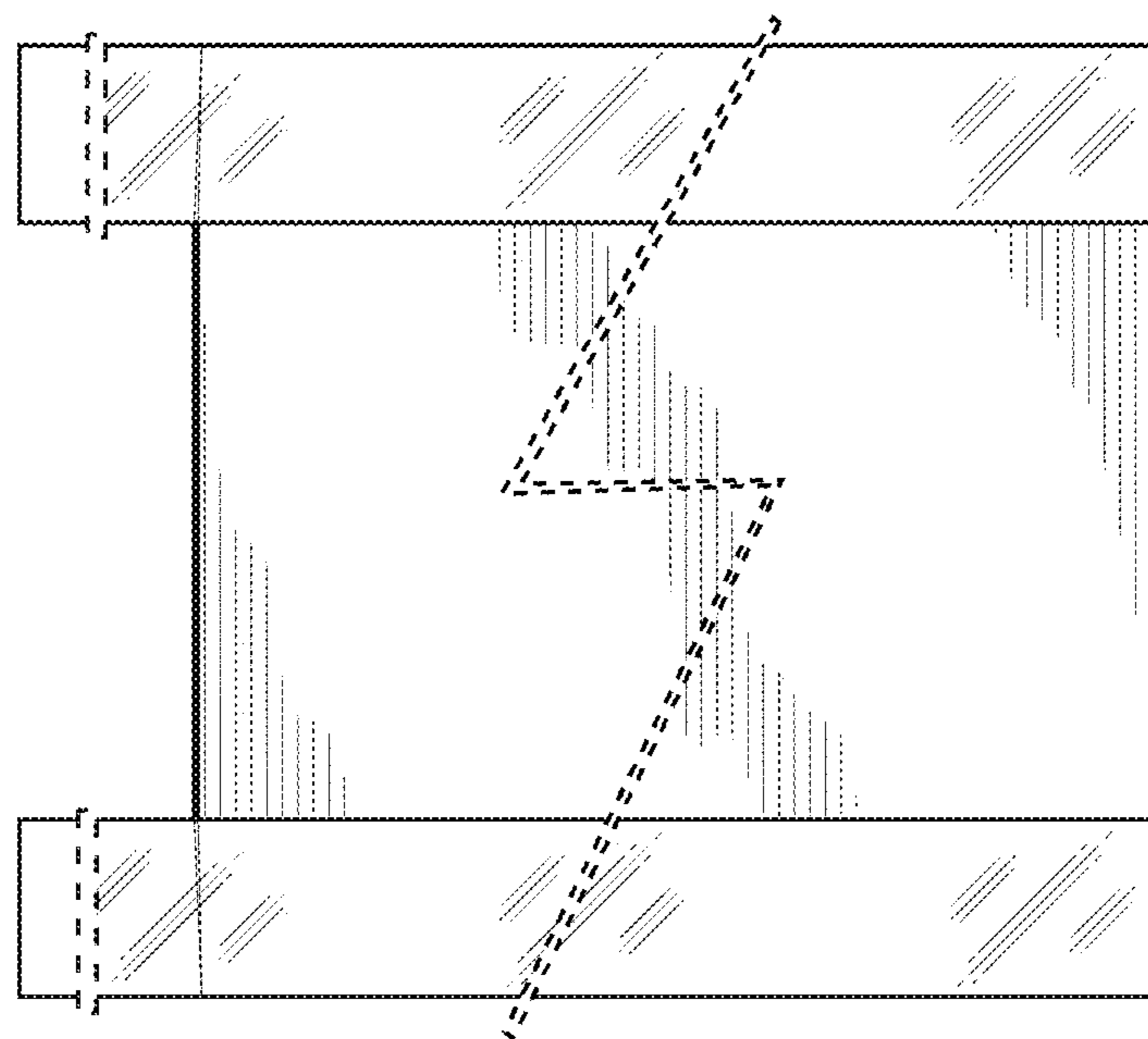


FIG. 28