



US00D977341S

(12) **United States Design Patent** (10) **Patent No.:** **US D977,341 S**
Schikurski et al. (45) **Date of Patent:** **** Feb. 7, 2023**

(54) **TOUCHLESS PACKAGE** 3,331,497 A * 7/1967 Lunsford B65D 75/32
206/728
(71) Applicant: **Agilent Technologies, Inc.**, Santa Clara, CA (US) 3,381,808 A 5/1968 McGraw, II
3,469,686 A 9/1969 Gutsche et al.
3,741,377 A * 6/1973 Krellen A45C 11/005
220/834
(72) Inventors: **Olga Schikurski**, Baden-Wuerttemberg (DE); **Lucas Serge**, Wilmington, DE (US); **Qi Siegmundt-Pan**, Karlsruhe (DE); **Michael Wherry**, Santa Clara, CA (US); **Thorsten Dressler**, Mannheim (DE); **Daniela Loraing**, Karlsruhe (DE); **Thomas Dumoulin**, Strasbourg (FR) 3,896,967 A 7/1975 Doolittle
D238,250 S * 12/1975 Sauer, Jr. D7/672
(Continued)

FOREIGN PATENT DOCUMENTS

CN 104755391 B 3/2017
EP 1357050 B1 10/2003
(Continued)

(73) Assignee: **AGILENT TECHNOLOGIES, INC.**, Santa Clara, CA (US)

OTHER PUBLICATIONS

Search report on DE Application No. DE102022104611.7, dated Dec. 1, 2022, 7 pages.

Primary Examiner — Lauren R Calve
(74) *Attorney, Agent, or Firm* — Mannava & Kang, P.C.; Carol L. Bunner

(**) Term: **15 Years**
(21) Appl. No.: **29/772,090**
(22) Filed: **Feb. 26, 2021**
(51) **LOC (14) Cl.** **09-01**
(52) **U.S. Cl.**
USPC **D9/732**; D9/756; D9/418
(58) **Field of Classification Search**
USPC D9/414, 416, 418, 424, 426, 429, 432, D9/430, 433, 715, 721, 732, 737, 756
CPC B65D 5/422; B65D 5/4204; B65D 5/5021; B65D 5/6661; B65D 5/0245; B65D 5/4229; B65D 5/2004; B65D 5/38; B65D 5/2009; B65D 77/0433; B65D 5/28; B65D 5/4237; B65D 5/4258; B65D 5/5059; B65D 85/1081; B65D 5/20; B65D 5/2066; B65D 5/2076; B65D 5/42
See application file for complete search history.

(57) **CLAIM**

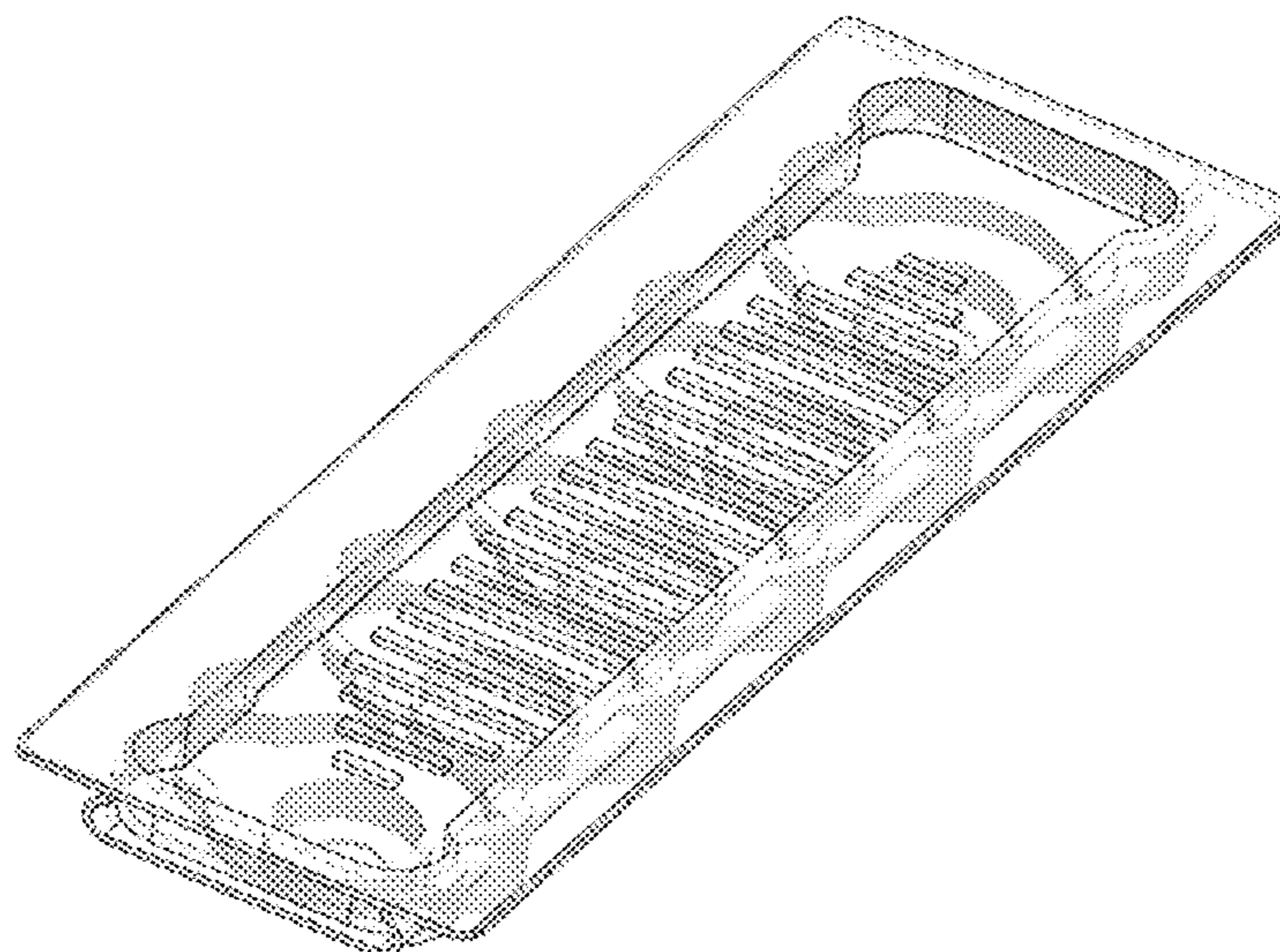
The ornamental design for a touchless package, as shown and described.

DESCRIPTION

FIG. 1 is a top perspective view of a touchless package showing a new design;
FIG. 2 is a side perspective view thereof;
FIG. 3 is a top view thereof;
FIG. 4 is a bottom view thereof;
FIG. 5 is a front view thereof;
FIG. 6 is a side view thereof;
FIG. 7 is an exploded bottom perspective view thereof;
FIG. 8 is a top perspective view of the base of the touchless package, the top not shown for clarity of illustration; and,
FIG. 9 is an exploded top perspective view of FIG. 1.

(56) **References Cited**
U.S. PATENT DOCUMENTS
2,502,311 A 3/1950 Clarke
3,136,413 A 6/1964 Hall

1 Claim, 5 Drawing Sheets



(56)

References Cited

U.S. PATENT DOCUMENTS

4,574,954 A * 3/1986 Reid B65D 75/327
206/532
4,722,440 A 2/1988 Johnston
4,998,623 A * 3/1991 Doull B65D 83/0463
206/532
D331,009 S * 11/1992 Dahl D9/696
5,620,088 A * 4/1997 Martin B65D 75/36
206/820
D518,737 S * 4/2006 Zalzal D9/732
7,210,580 B2 5/2007 Elliott
D559,706 S * 1/2008 Clements D9/732
D593,325 S 6/2009 Evans
7,628,292 B2 12/2009 Lancesseur et al.
D607,749 S 1/2010 Freeland et al.
D607,750 S 1/2010 Freeland et al.
D607,751 S 1/2010 Freeland et al.
D607,752 S 1/2010 Freeland et al.
7,644,822 B2 1/2010 Elliott
7,784,250 B2 8/2010 Grosskopf
D711,253 S 8/2014 Rathbone et al.
9,138,378 B2 9/2015 McArthur et al.
D763,104 S * 8/2016 Akana D9/756

9,586,748 B2 3/2017 Le
10,450,126 B2 10/2019 Branyon et al.
D886,638 S 6/2020 Bhalla et al.
D898,526 S 10/2020 Delgado Carmona
D902,054 S 11/2020 Bhalla et al.
D905,574 S 12/2020 Flanagan
10,864,315 B2 12/2020 Fox et al.
2015/0239640 A1 * 8/2015 Smith B65D 43/162
220/592.2
2015/0284174 A1 10/2015 Vogels et al.
2019/0117328 A1 * 4/2019 Chase B65D 25/34
2019/0218015 A1 7/2019 Tojo et al.
2019/0329952 A1 * 10/2019 Khouri B65D 75/367
2020/0240068 A1 * 7/2020 Sanders B65D 1/26

FOREIGN PATENT DOCUMENTS

EP 2217195 A1 8/2010
EP 2911951 B1 11/2016
GB 2451850 B 2/2009
GB 2496758 A 5/2013
WO 2005082745 A1 9/2005
WO 2013089702 A1 6/2013
WO 2020092338 A1 5/2020

* cited by examiner

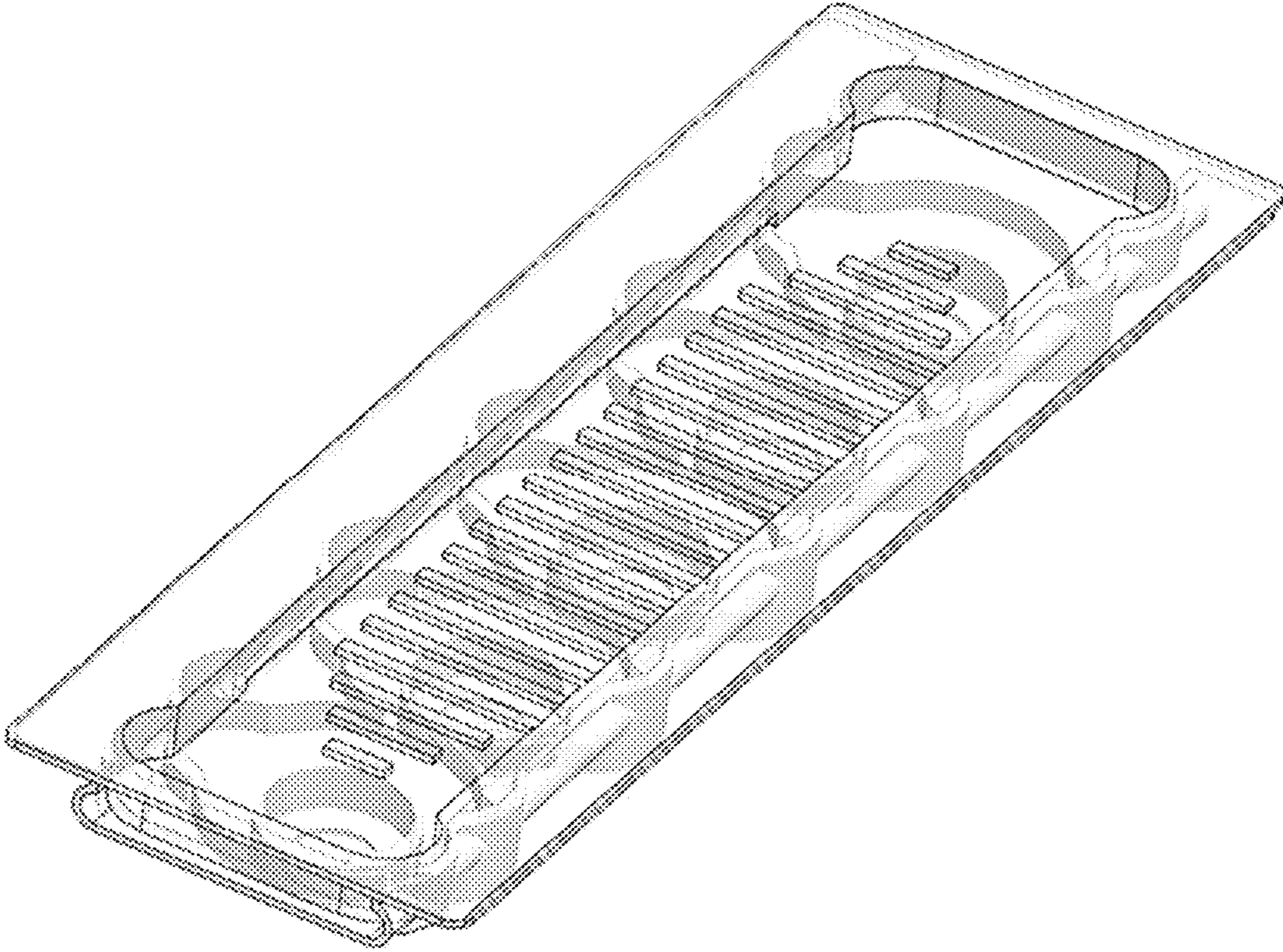


FIG. 1

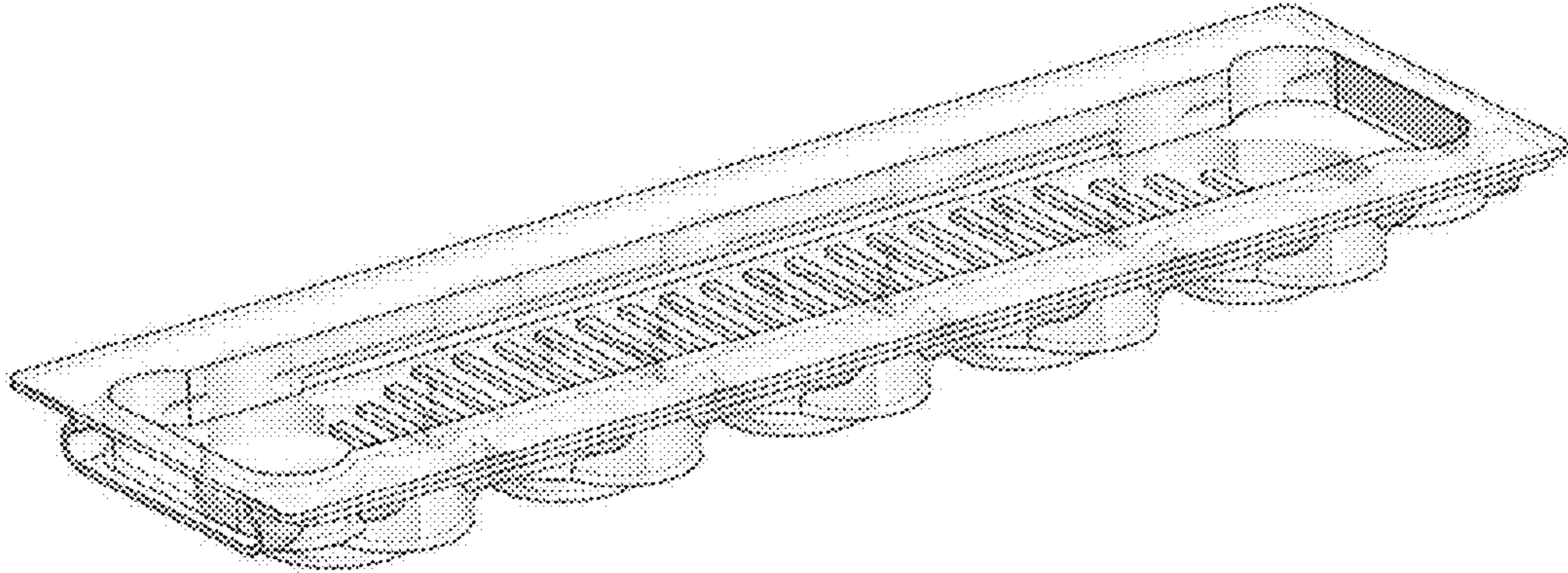


FIG. 2

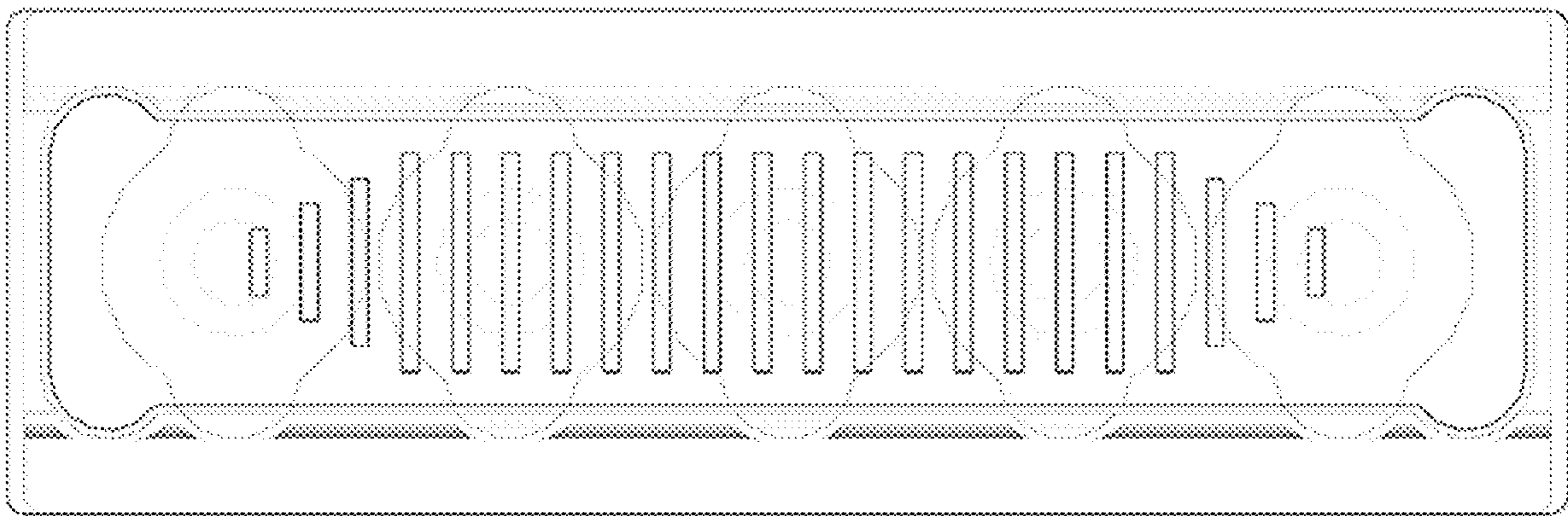


FIG. 3

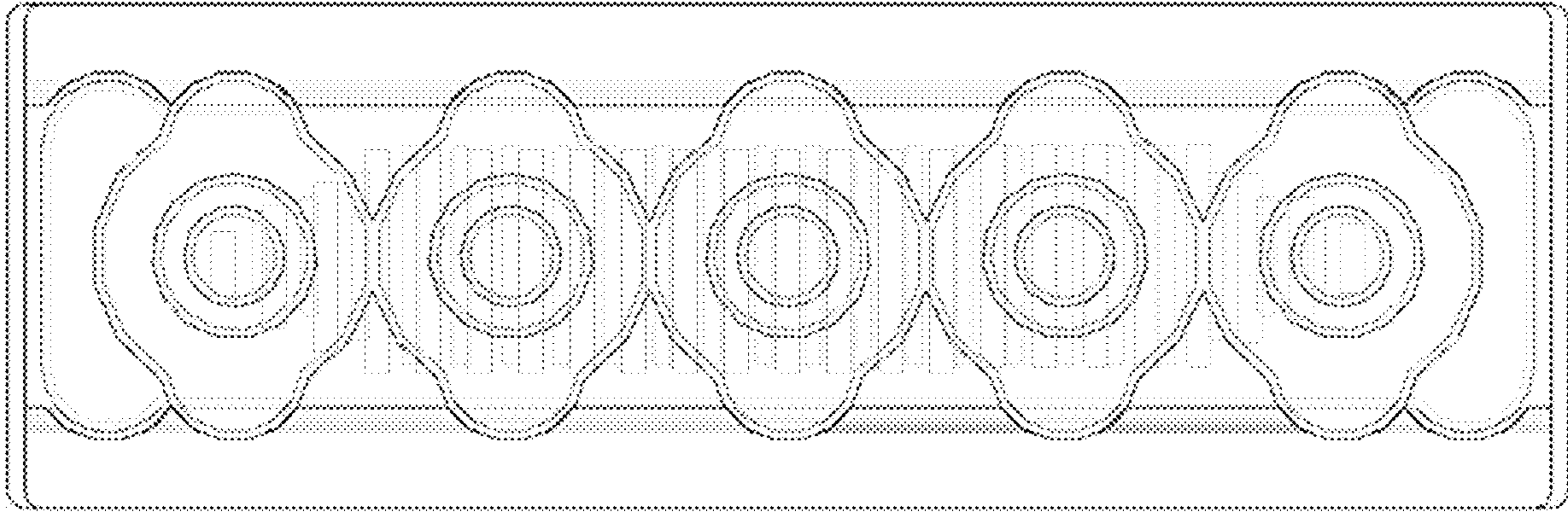


FIG. 4

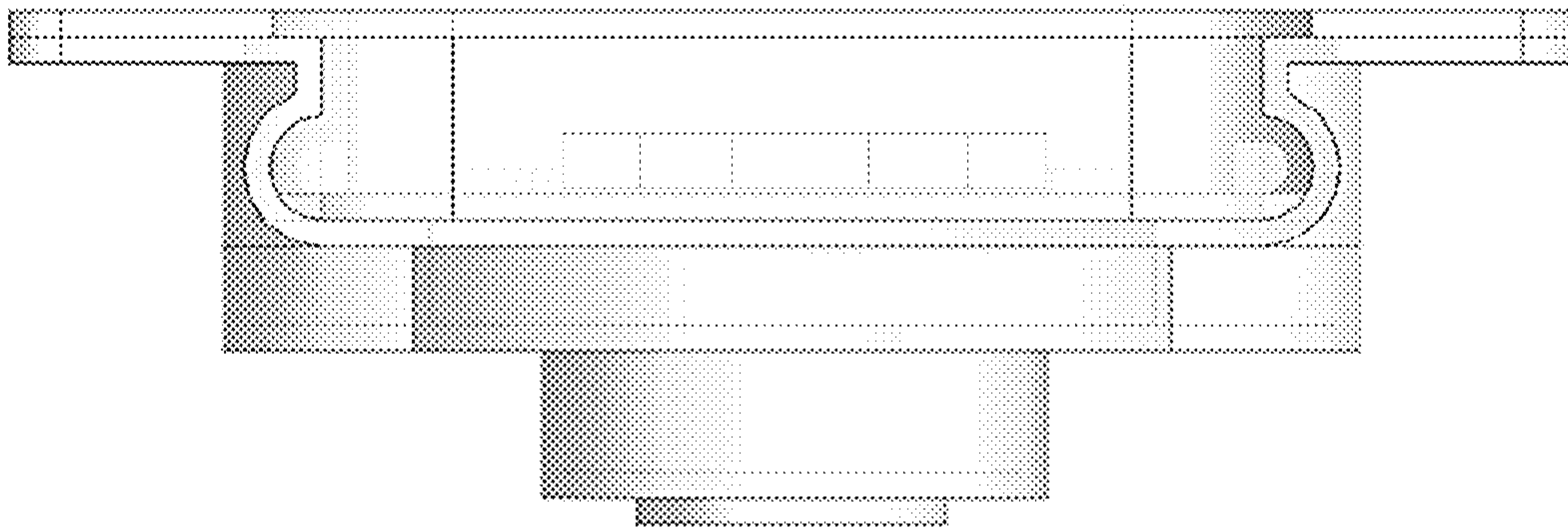


FIG. 5

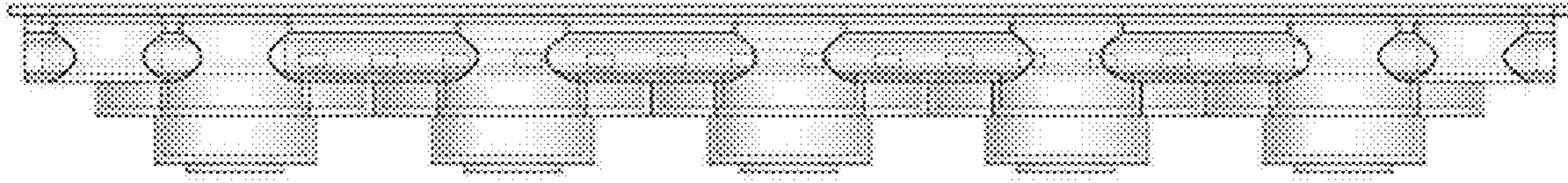


FIG. 6

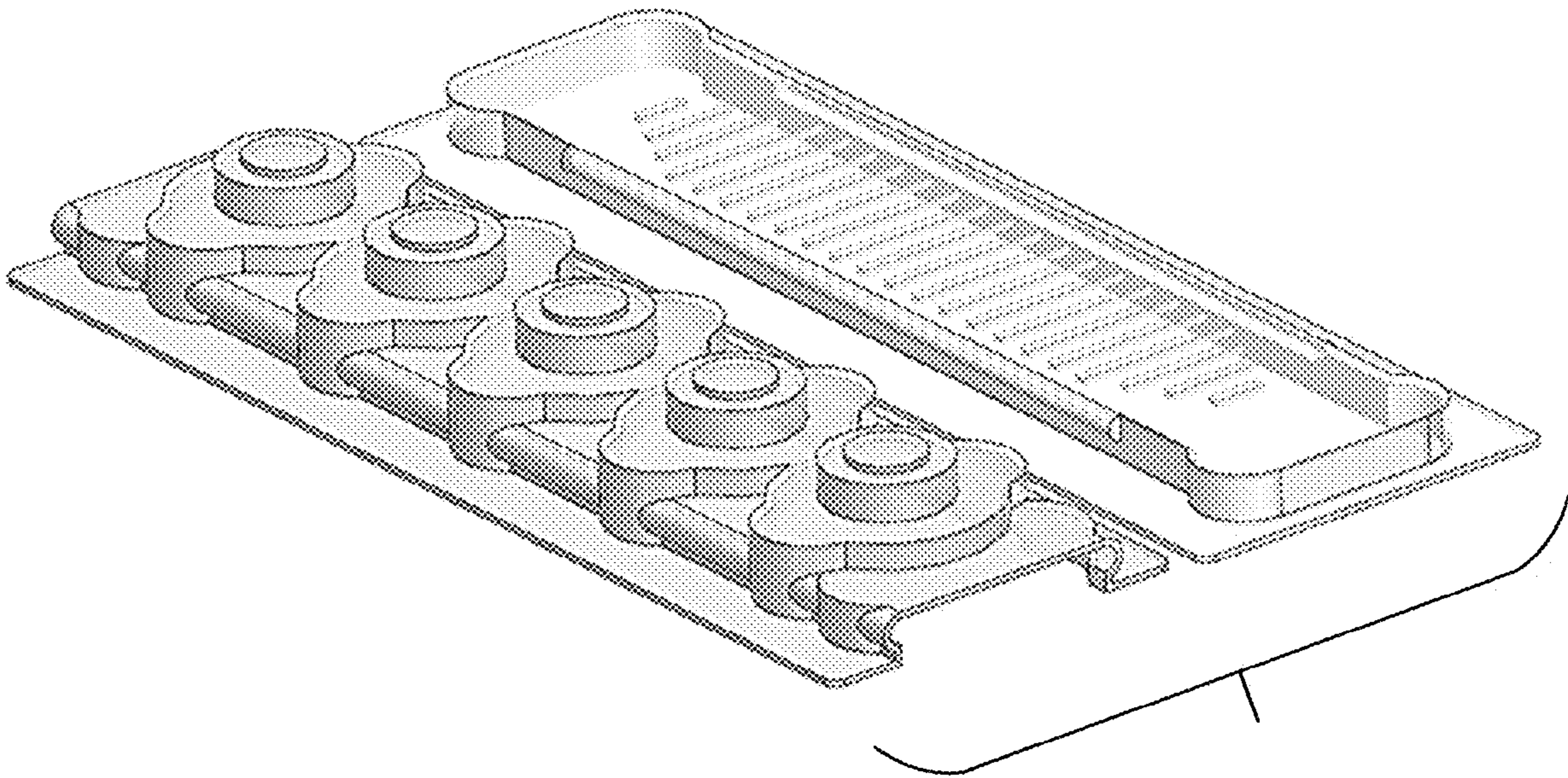


FIG. 7

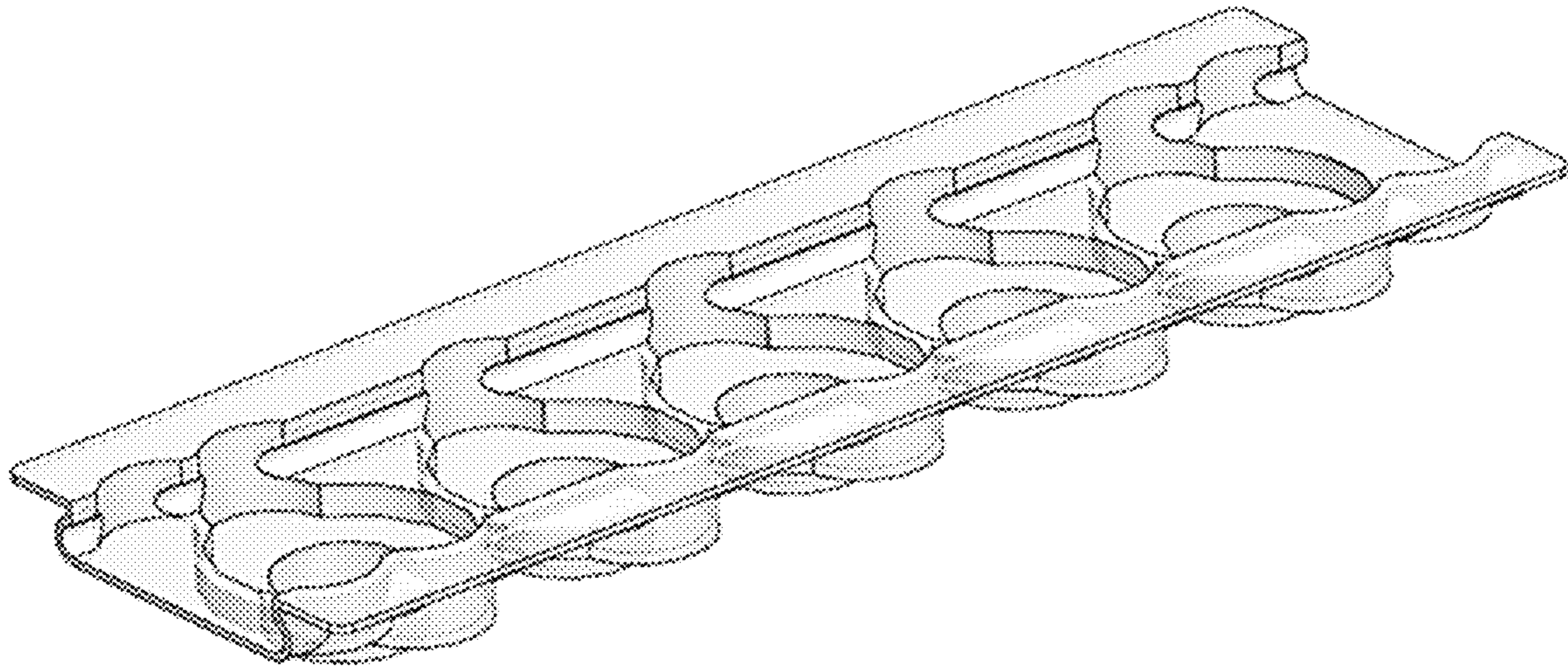


FIG. 8

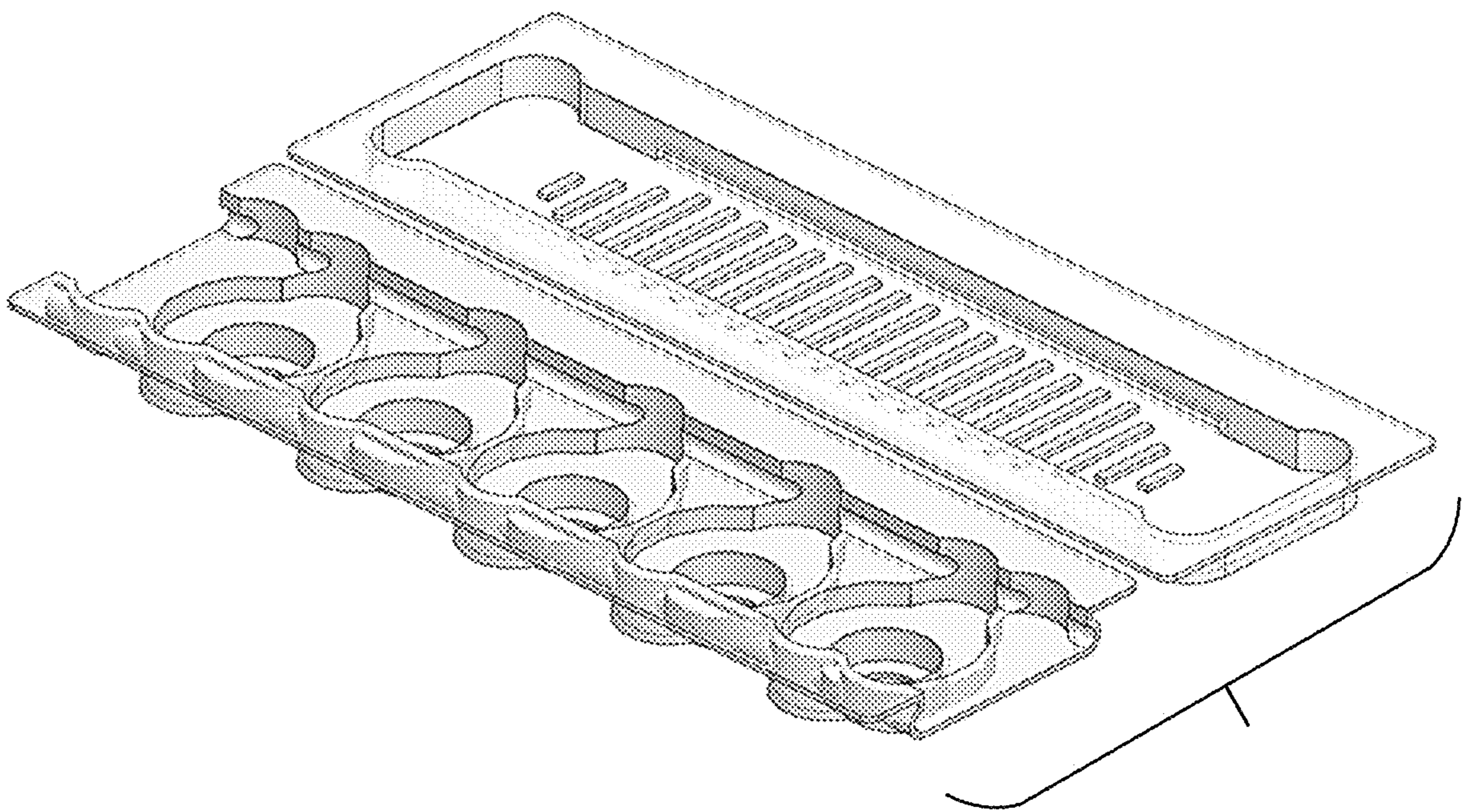


FIG. 9