



US00D977340S

(12) **United States Design Patent** (10) **Patent No.:** **US D977,340 S**
Turman et al. (45) **Date of Patent:** **** Feb. 7, 2023**

(54) **PROTECTIVE COVERING FOR ACCESSORIES**

A47D 13/02; A47D 13/025; A47D 13/08; B60N 2/28; A45C 3/08; B23P 15/16
See application file for complete search history.

(71) Applicant: **TSJ & Company LLC**, Williamstown, NJ (US)

(56) **References Cited**

(72) Inventors: **Sean Turman**, Clarksburg, MD (US); **Tamara Turman**, Williamstown, NJ (US)

U.S. PATENT DOCUMENTS

(**) Term: **15 Years**

5,293,975 A * 3/1994 Howorka A45C 13/002 150/105
5,399,020 A * 3/1995 Cheng A45C 7/0077 383/127
D606,756 S 12/2009 Johnson
9,004,119 B2 4/2015 Piper
D843,727 S * 3/2019 Katopis A45C 13/002 D3/318
2018/0084882 A1 3/2018 Zephir

(21) Appl. No.: **29/818,973**

FOREIGN PATENT DOCUMENTS

(22) Filed: **Dec. 13, 2021**

(51) **LOC (14) Cl.** **09-05**

JP 2002142829 A 5/2002
JP 2013516252 A 5/2013

(52) **U.S. Cl.**

* cited by examiner

USPC **D9/703**

(58) **Field of Classification Search**

Primary Examiner — Abraham Bahta
(74) *Attorney, Agent, or Firm* — Gearhart Law, LLC

USPC D6/333–335, 339, 391, 389; 297/183.1–183.4, 184.13, 184.15, 184.17, 297/184.12, 224, 228.12, 250.1, 255, 297/256.1, 256.15, 256.16; 5/98.1, 99.1, 5/101–102, 414, 416; D12/401–403; 135/117, 124; 280/30–31, 642, 47.38, 280/647, 650, 658; D21/419, 834; 224/409; D34/27; D2/718–719; D3/318, 306, 240, 246, 324; 150/100, 150/103–104, 106–110, 113–114, 154, 150/159; 190/26, 102, 107
CPC A47C 29/00; A47C 31/02; A47C 31/10; A47C 31/11; A47C 31/13; A47C 31/116; A47C 7/62; A47C 7/66; A47C 7/021; A47C 7/0213; A47C 7/024; A47C 7/22; A47C 7/386; A47C 7/42; A47C 7/68; A47C 27/00; A47C 27/001; A47C 27/02; A47C 4/28; A47D 15/00; A47D 13/00;

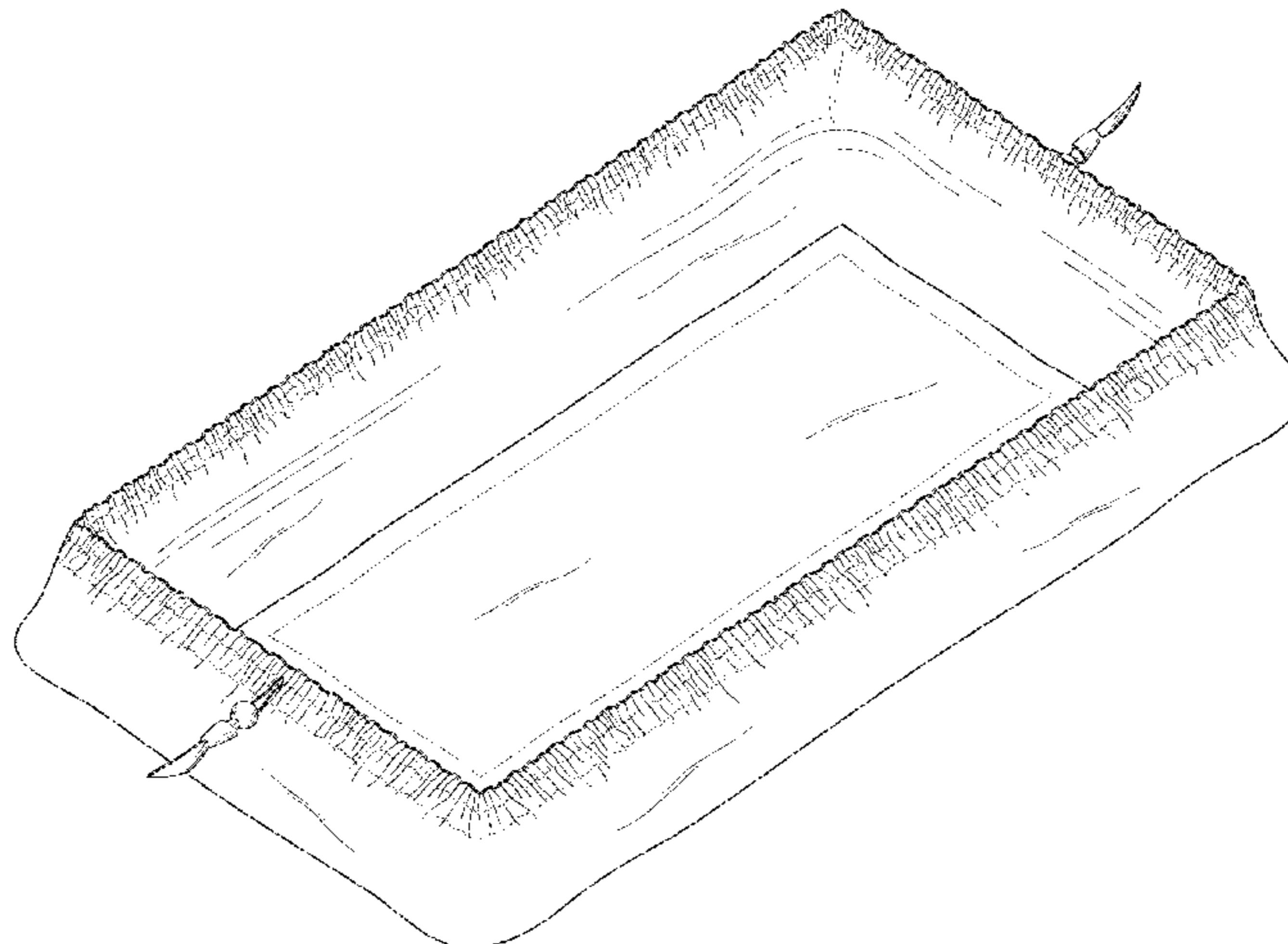
(57) **CLAIM**

The ornamental design for a protective covering for accessories, as shown and described.

DESCRIPTION

FIG. 1 is a perspective view of a protective covering for accessories.
FIG. 2 is a front view thereof.
FIG. 3 is a back view thereof.
FIG. 4 is a first side view thereof.
FIG. 5 is a second side view thereof.
FIG. 6 is a top view thereof.
FIG. 7 is a bottom view thereof; and,
FIG. 8 is a front view showing the protective covering for accessories of FIGS. 1-7 positioned on an accessory.
The smaller dashed lines shown in FIGS. 1-8 within the claimed boundary indicate stitching and form no part of the claimed design. The larger dashed lines shown outside the

(Continued)



claimed boundary in FIG. 8 illustrate an accessory and form
no part of the claimed design.

1 Claim, 6 Drawing Sheets

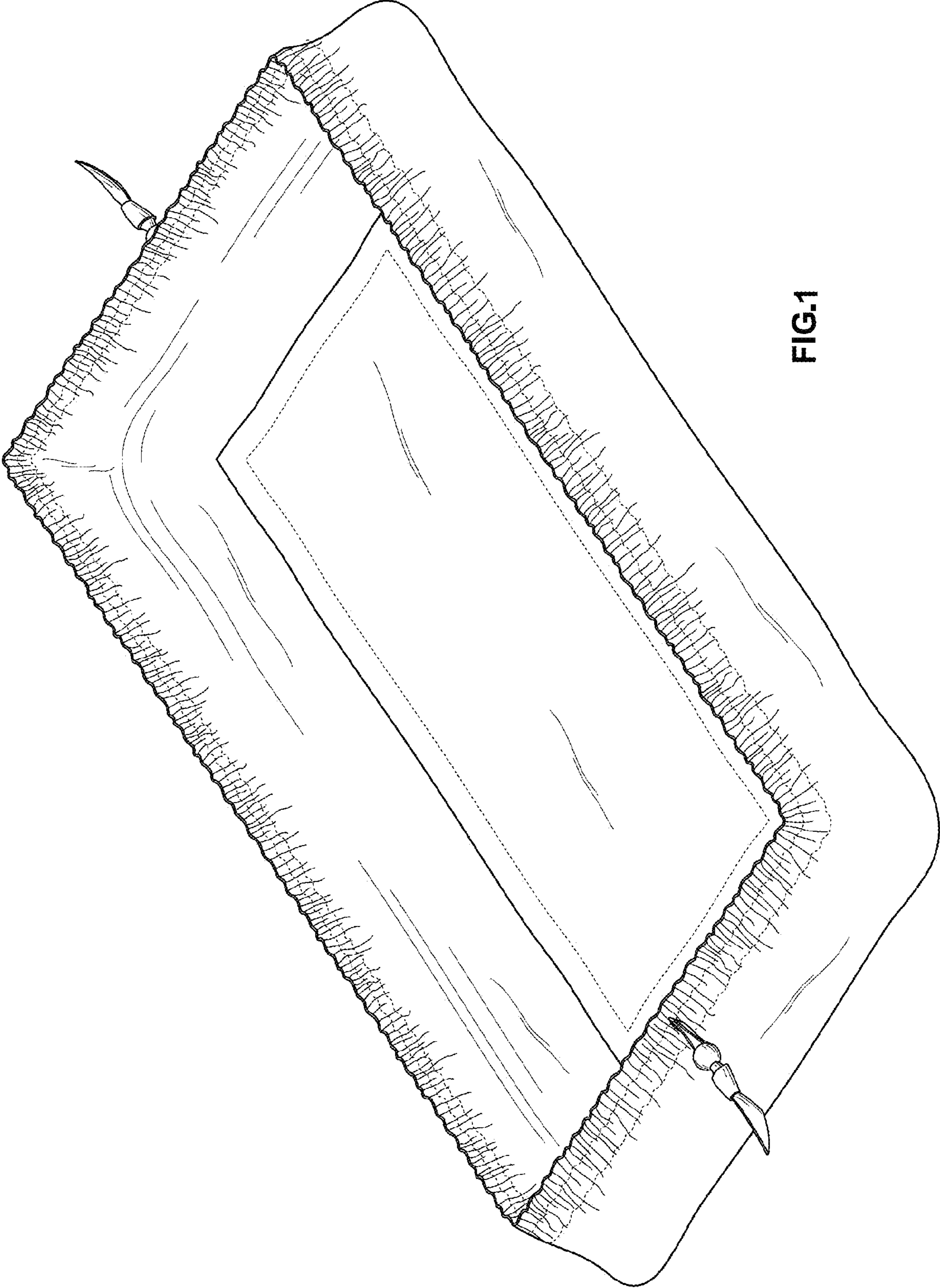


FIG.1

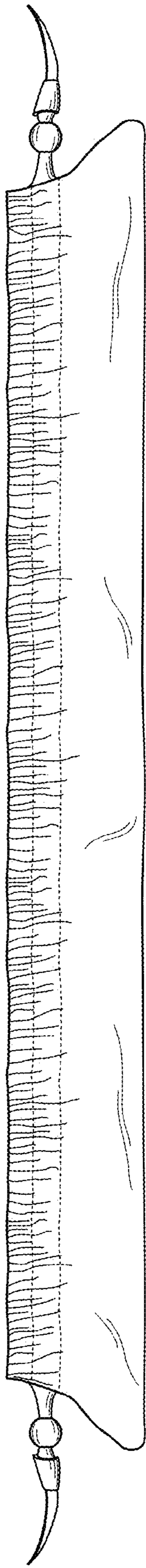


FIG. 2

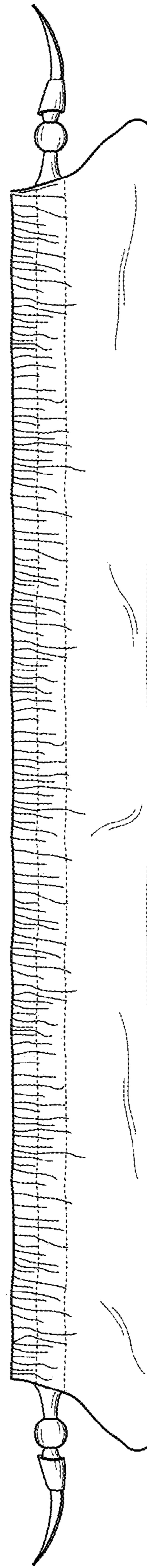


FIG. 3

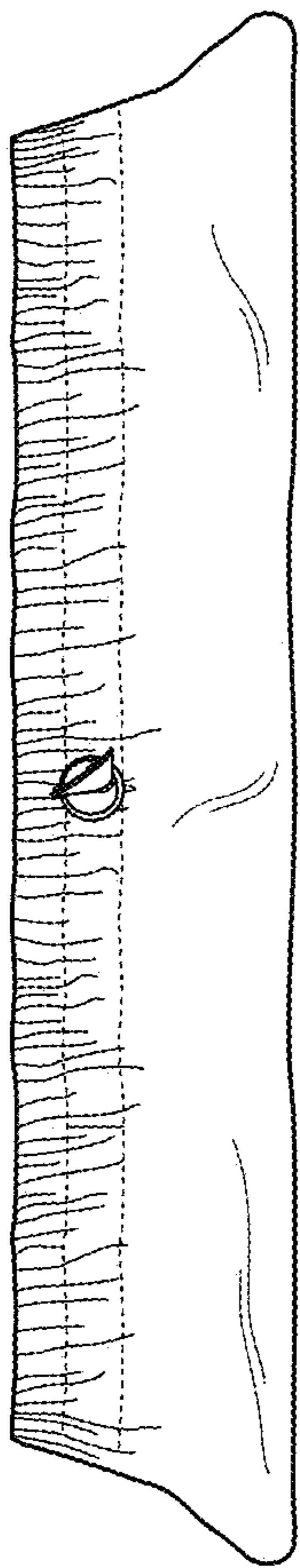


FIG. 4

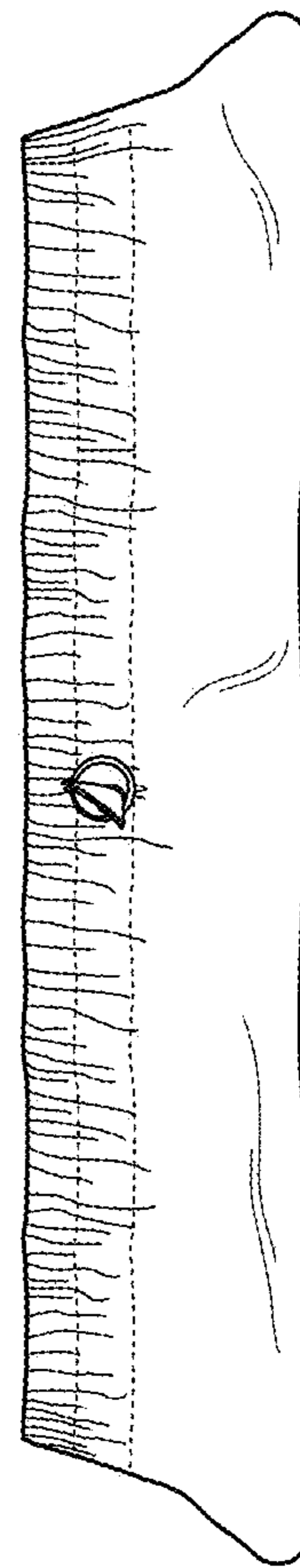


FIG. 5

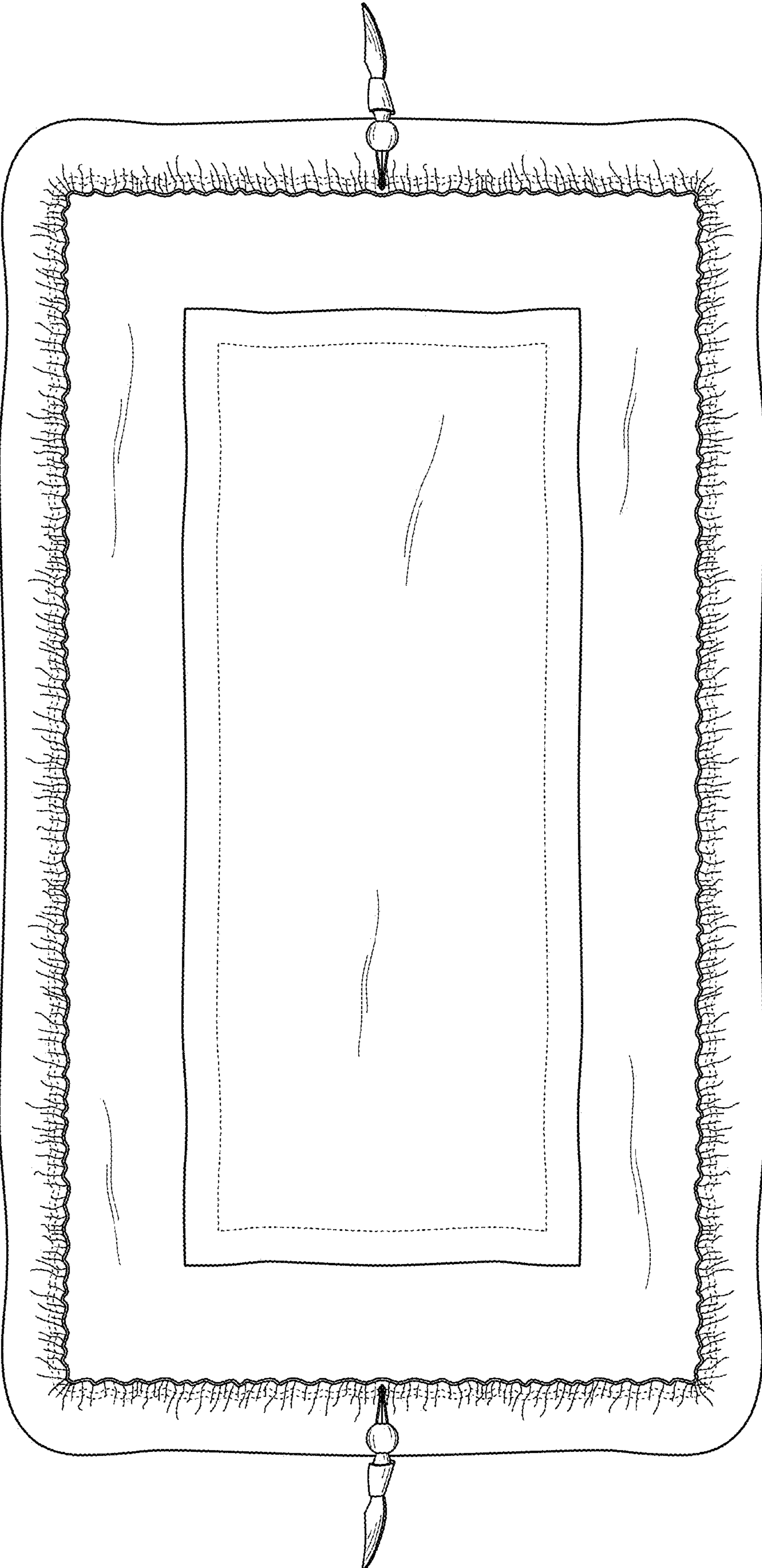


FIG. 6

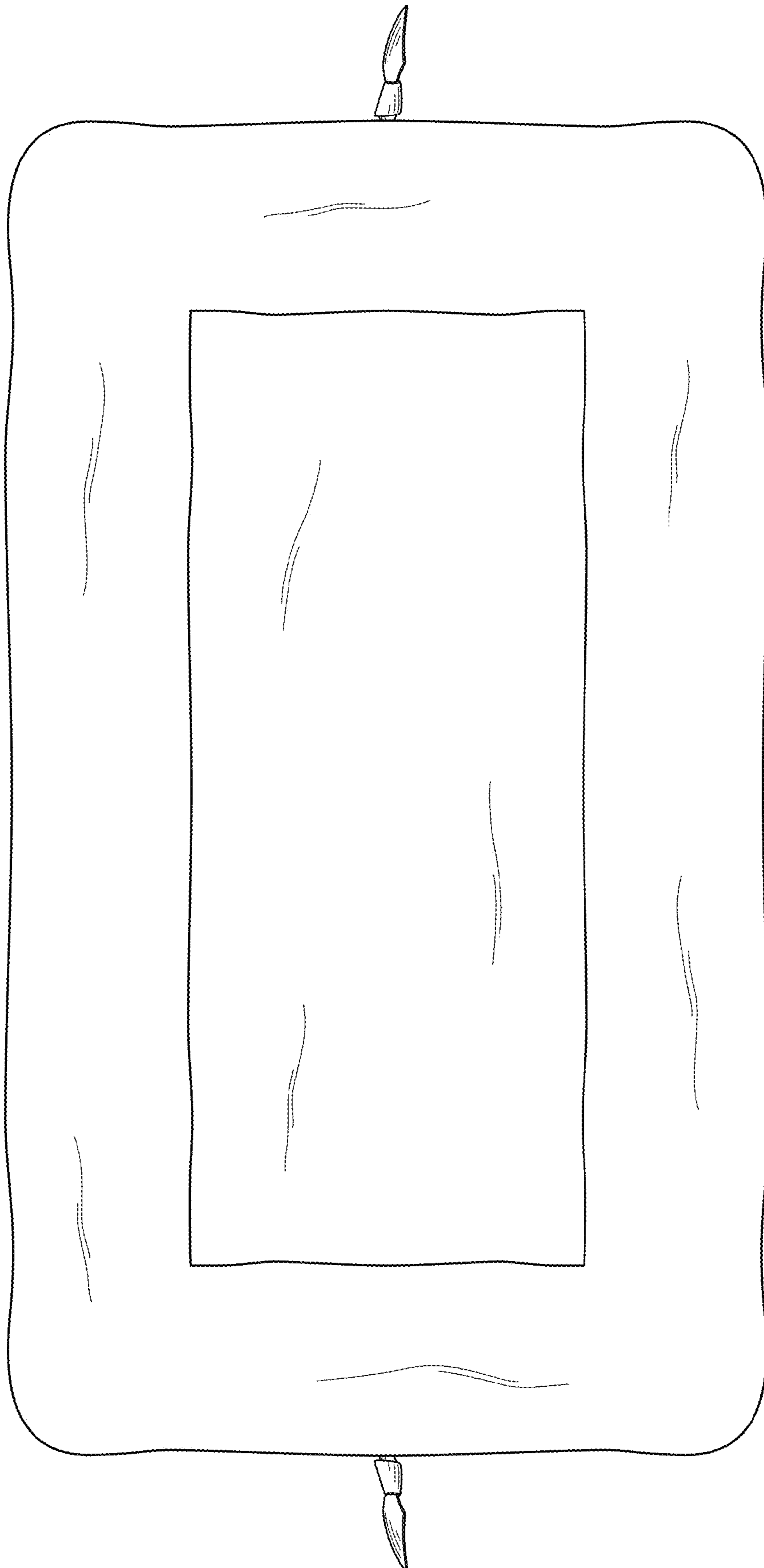


FIG. 7

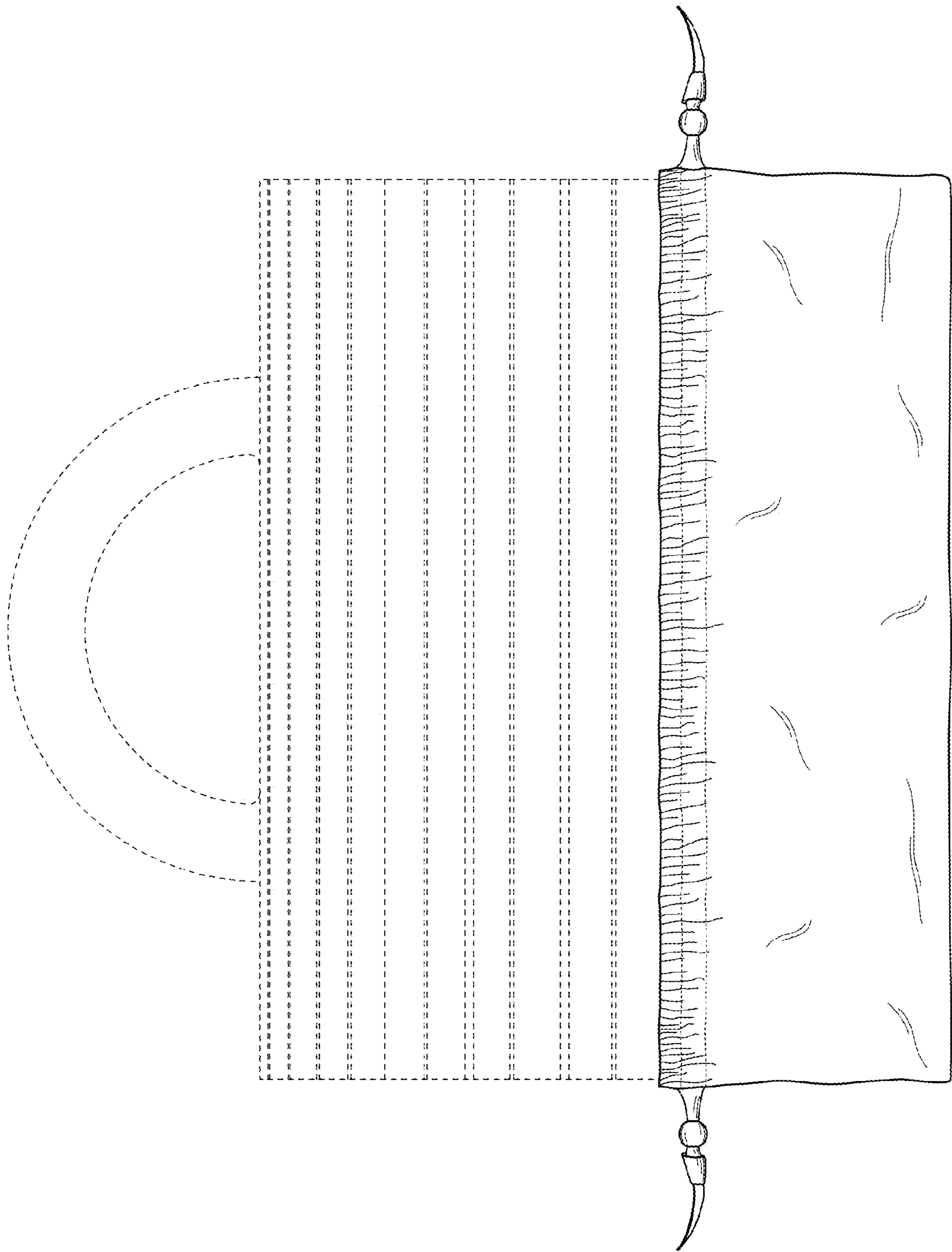


FIG. 8