



US00D977339S

(12) **United States Design Patent** (10) **Patent No.:** **US D977,339 S**
Pepe (45) **Date of Patent:** **** Feb. 7, 2023**

(54) **TOOTHPASTE DISPENSER**

(71) Applicant: **GUALA DISPENSING S.P.A.**,
Alessandria (IT)

(72) Inventor: **Marco Pepe**, Alessandria (IT)

(73) Assignee: **GUALA DISPENSING S.p.A.**,
Alessandria (IT)

(**) Term: **15 Years**

(21) Appl. No.: **35/512,704**

(22) Filed: **Sep. 22, 2021**

(80) **Hague Agreement Data**

Int. Filing Date: **Sep. 22, 2021**

Int. Reg. No.: **DM/216539**

Int. Reg. Date: **Sep. 22, 2021**

Int. Reg. Pub. Date: **Oct. 8, 2021**

(30) **Foreign Application Priority Data**

Apr. 2, 2021 (WO) WIPO103545

(51) **LOC (14) Cl.** **09-01**

(52) **U.S. Cl.**
USPC **D9/688**

(58) **Field of Classification Search**

USPC D9/719, 730, 733, 503, 682, 688, 689,
D9/693; D6/542

CPC A45D 34/00; A45D 34/042; A45D
2200/055; A45D 34/043; A45D
2040/0012; B65D 83/0005; B65D 83/32;
B65D 83/48; B65D 83/0033; B65D
35/28; B65D 83/00; B65D 83/0027;
B65D 51/249; B65D 2231/00; B65D
2575/586; B65D 83/0016; B65D 43/02;
B65D 47/20

See application file for complete search history.

(56) **References Cited**

U.S. PATENT DOCUMENTS

4,629,097	A *	12/1986	Moore	B65D 83/0033
					222/386
D308,474	S *	6/1990	Seager	D9/689
D319,967	S *	9/1991	Battegazzore	D9/689
5,176,291	A *	1/1993	Fillmore	B65D 83/0033
					222/325
D344,230	S *	2/1994	Bertolini	D9/557
D367,225	S *	2/1996	Rothman	D9/730
6,047,862	A *	4/2000	Davies	B05B 11/3047
					222/327
D437,548	S *	2/2001	Desgrippes	D9/688
D490,300	S *	5/2004	Costa	D9/690
D530,622	S *	10/2006	Geiberger	D9/688
D728,376	S *	5/2015	Floyd	D9/692
2020/0102138	A1 *	4/2020	Eng	B05B 11/0086

* cited by examiner

Primary Examiner — Lauren R Calve

(74) *Attorney, Agent, or Firm* — Thomas | Horstemeyer,
LLP

(57) **CLAIM**

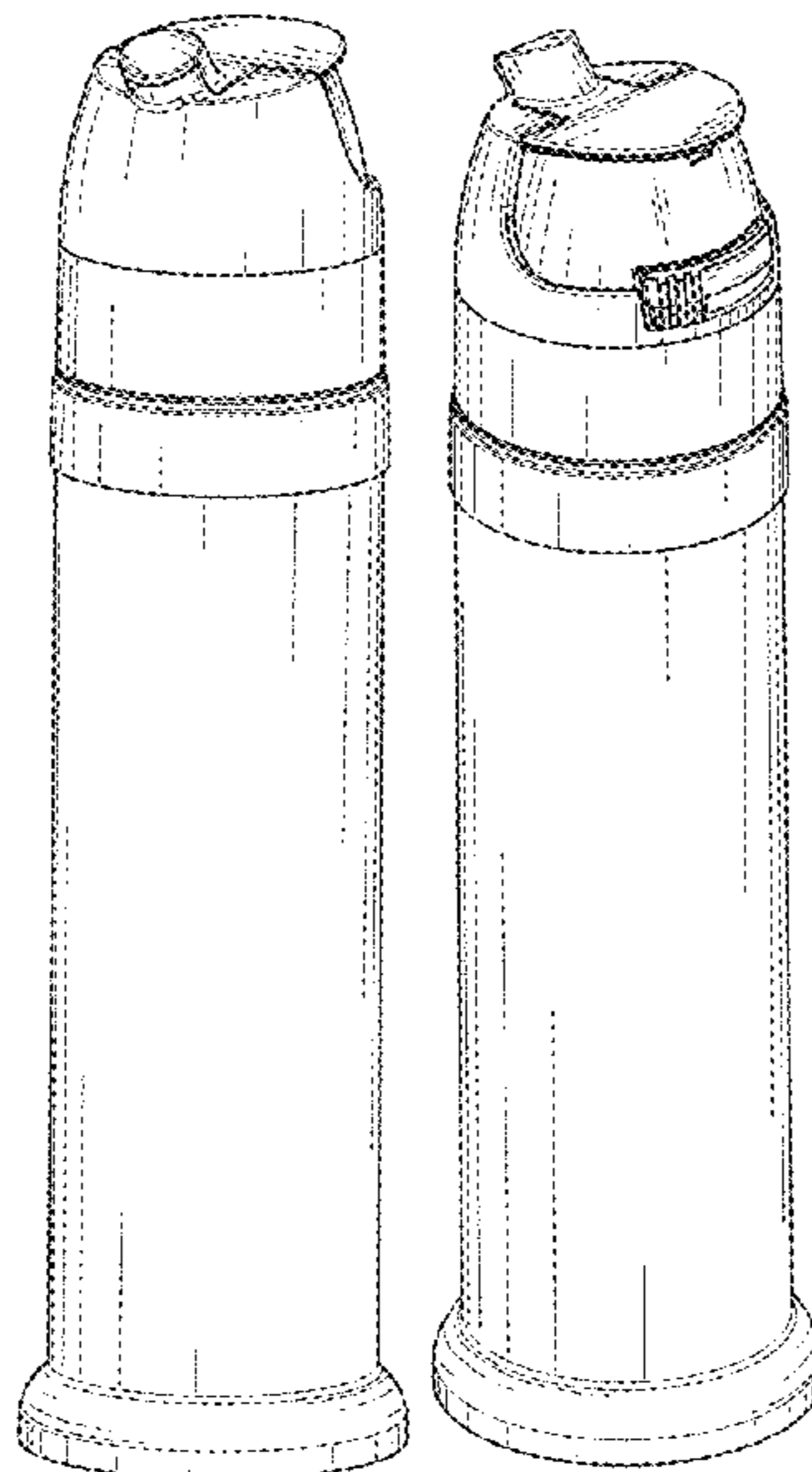
The ornamental design for a toothpaste dispenser, as shown and described.

DESCRIPTION

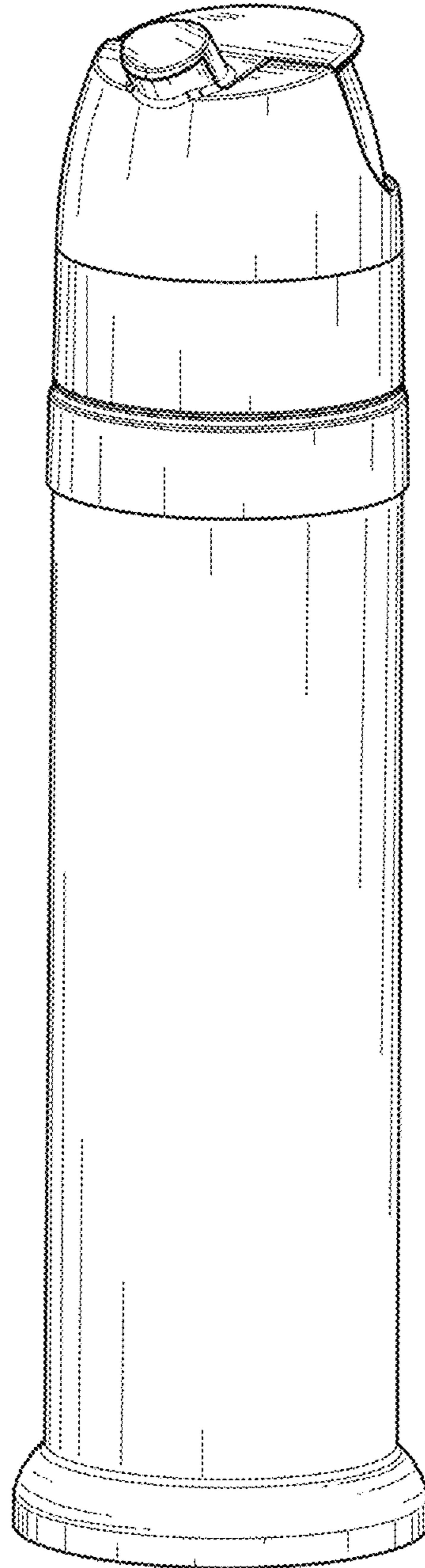
1. Toothpaste dispenser

Fig. 1.1 is a front perspective view of the design; fig. 1.2 is a rear perspective view thereof; fig. 1.3 is a rear view thereof; fig. 1.4 is a front view thereof; fig. 1.5 is a left view thereof; fig. 1.6 is a right view thereof; fig. 1.7 is a top view thereof; fig. 1.8 is a bottom view thereof.

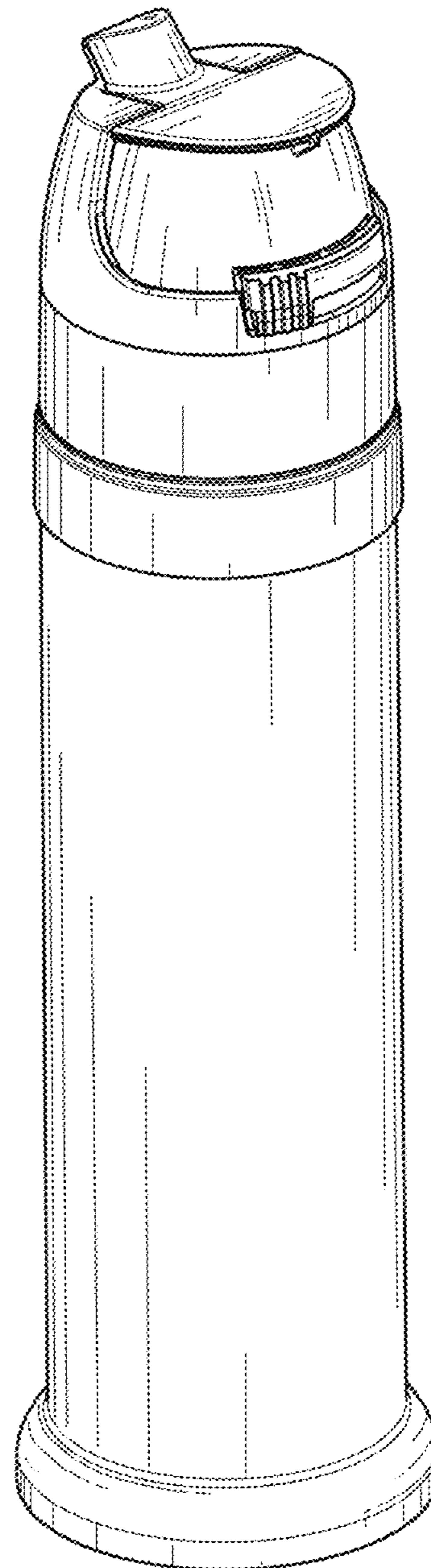
1 Claim, 8 Drawing Sheets



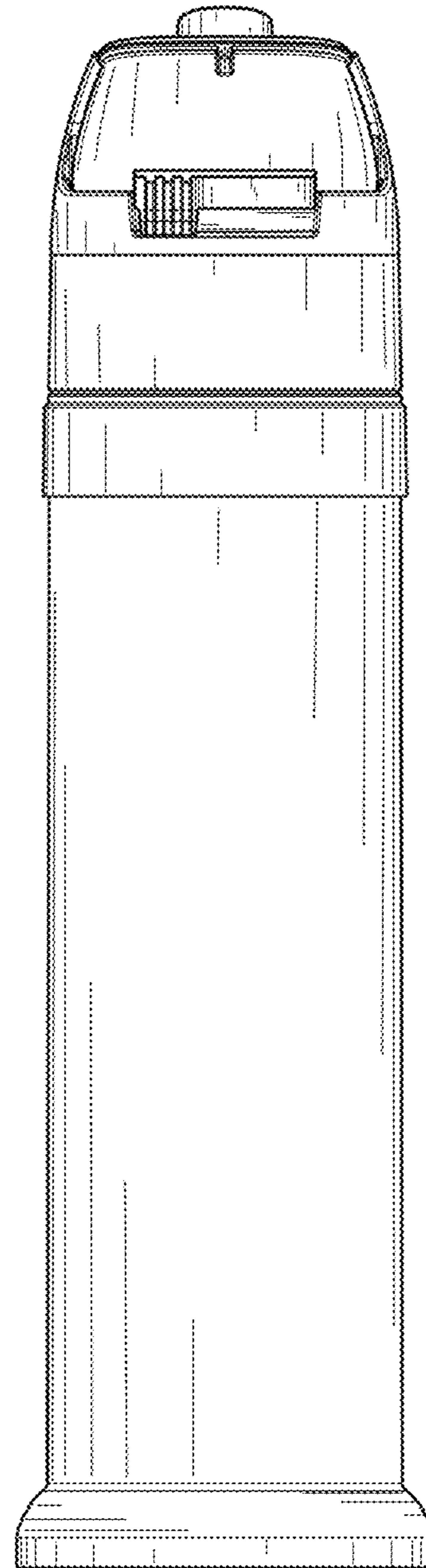
1.1



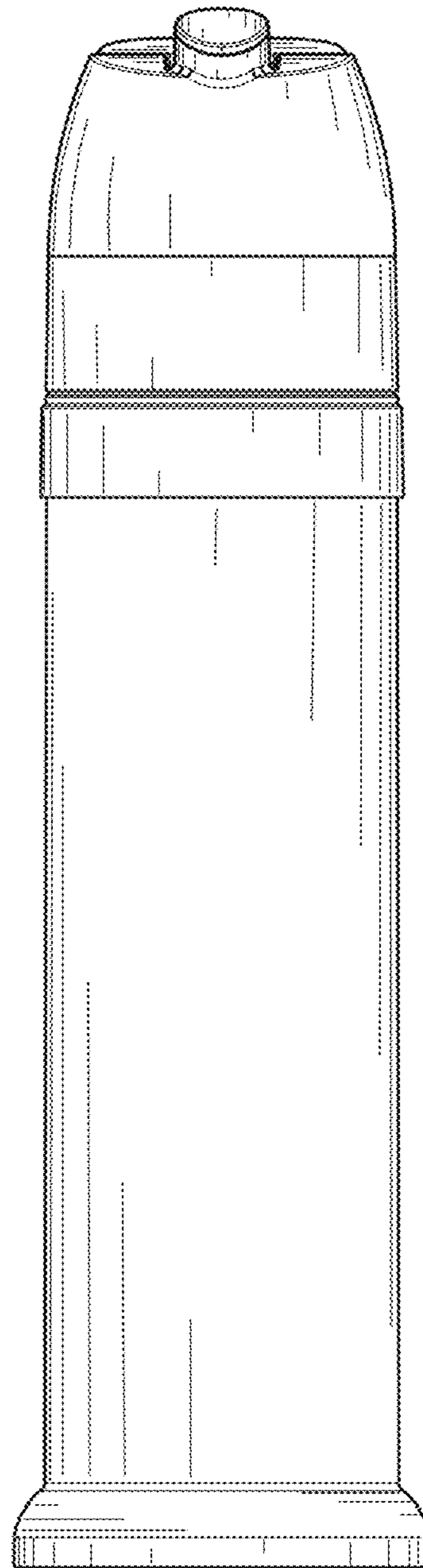
1.2



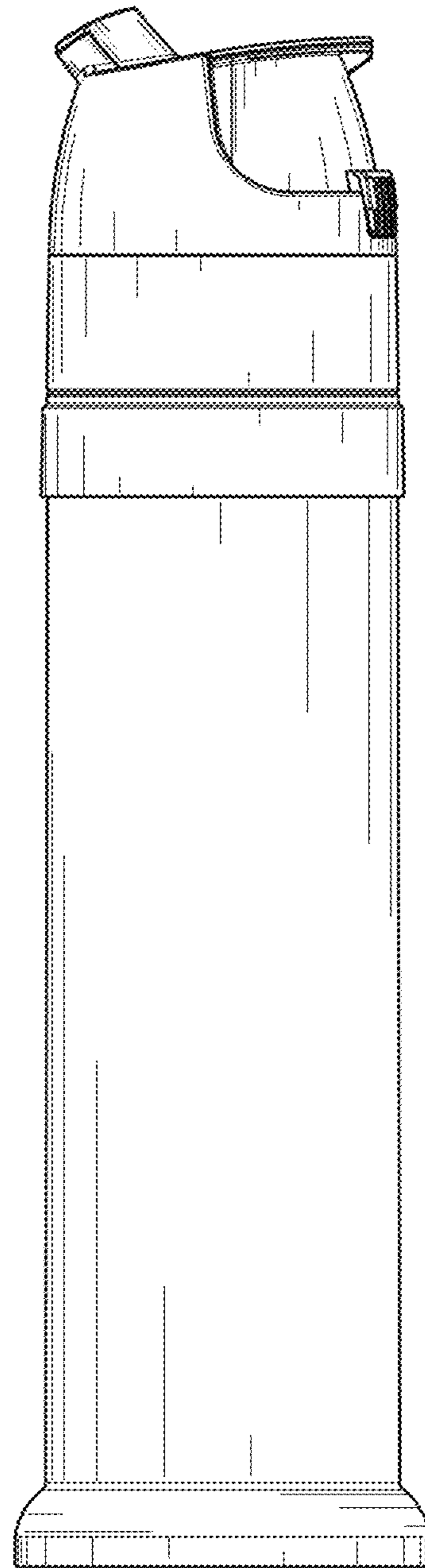
1.3



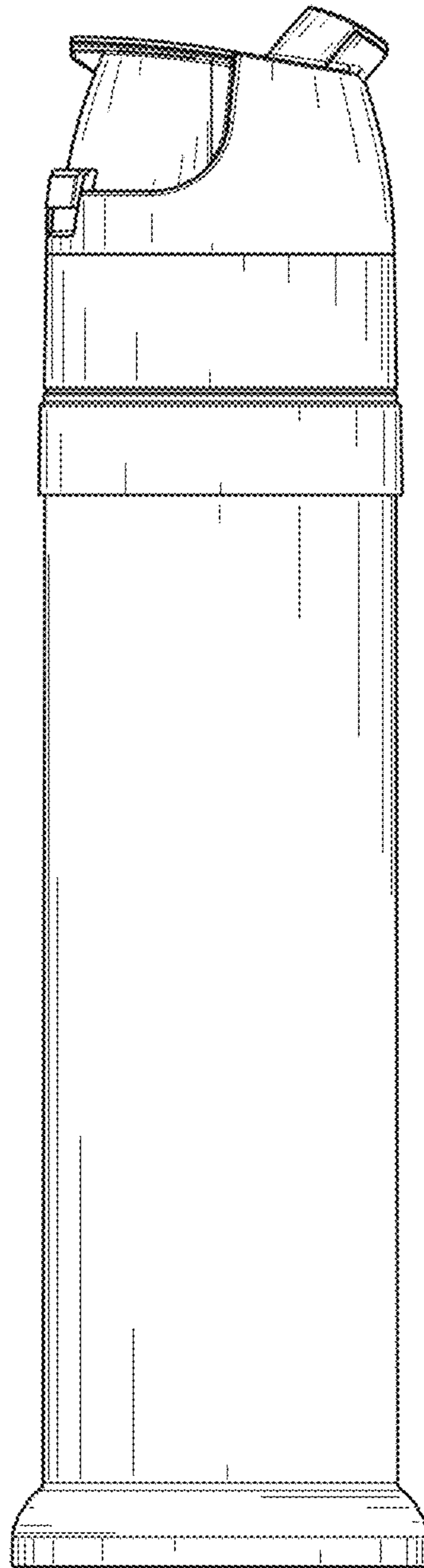
1.4



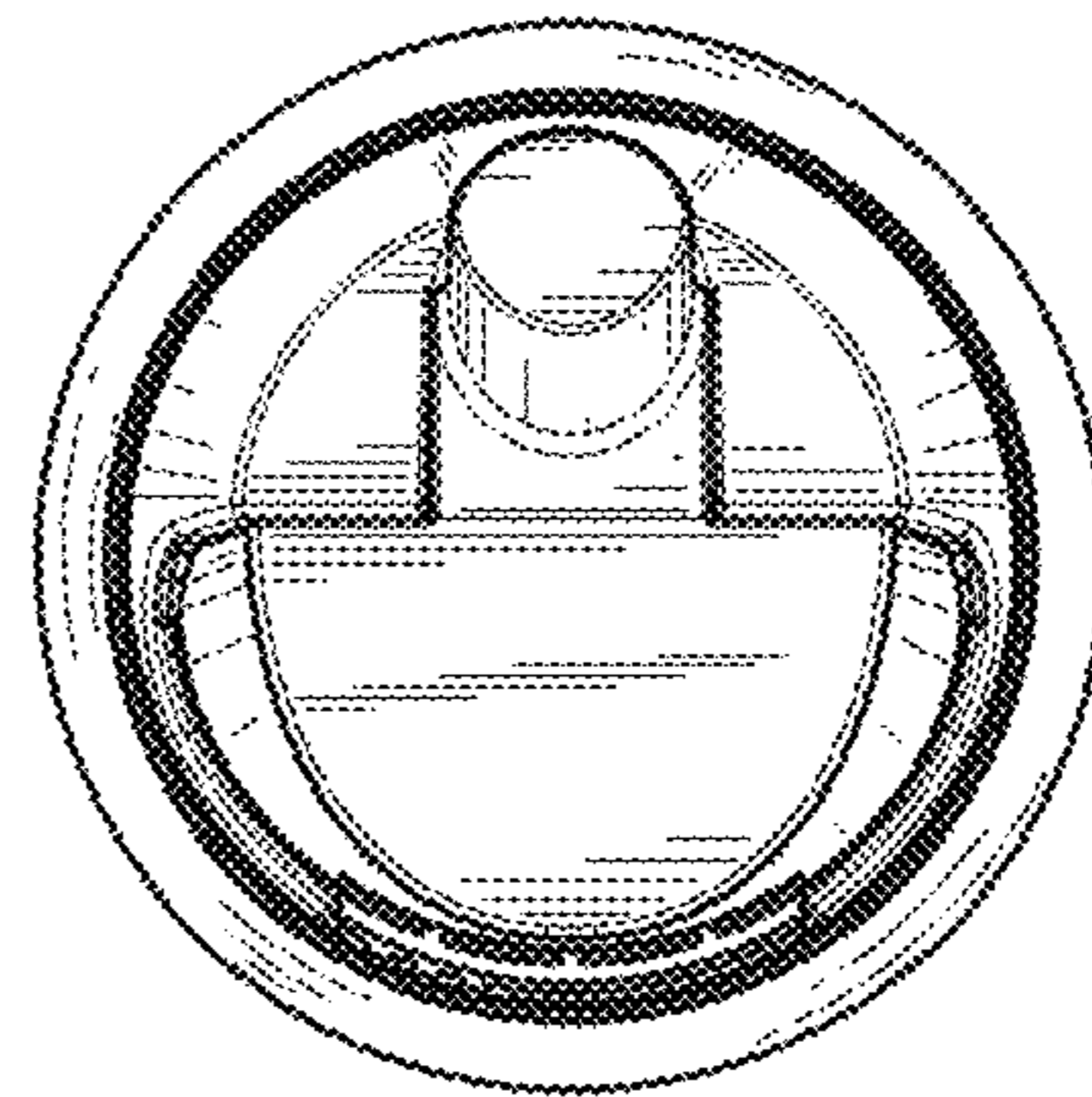
1.5



1.6



1.7



1.8

