



US00D977336S

(12) **United States Design Patent** (10) **Patent No.:** **US D977,336 S**
Bridges et al. (45) **Date of Patent:** **** Feb. 7, 2023**

(54) **BOTTLE FOR A SHAVING RAZOR**
(71) Applicant: **The Gillette Company LLC**, Boston, MA (US)
(72) Inventors: **Kelly Daniel Bridges**, Boston, MA (US); **Christopher Ramm**, Boston, MA (US); **Philipp Goeder**, Frankfurt (DE)
(73) Assignee: **The Gillette Company LLC**, Boston, MA (US)

D285,655 S 9/1986 MacLaughlin et al.
4,889,141 A 12/1989 Lindsey
5,016,351 A 5/1991 Drahus
D330,859 S 11/1992 Schaeffler
D332,050 S 12/1992 Schmidt
D357,628 S 4/1995 Vasas
D398,002 S 9/1998 Stewart et al.
D401,856 S 12/1998 Daniels

(Continued)

(**) Term: **15 Years**

FOREIGN PATENT DOCUMENTS

TW M553225 U 12/2017

(21) Appl. No.: **29/807,857**

OTHER PUBLICATIONS

All Office Actions; U.S. Appl. No. 29/807,854, filed Sep. 15, 2021.

(22) Filed: **Sep. 15, 2021**

(Continued)

Related U.S. Application Data

(62) Division of application No. 29/679,988, filed on Feb. 12, 2019, now Pat. No. Des. 942,860.

Primary Examiner — Brett Miller

Assistant Examiner — Rani J Abdallah

(51) **LOC (14) Cl.** **09-01**

(74) *Attorney, Agent, or Firm* — John M. Lipchitz

(52) **U.S. Cl.**
USPC **D9/516**

(57) **CLAIM**

The ornamental design for a bottle for shaving razor, as shown and described.

(58) **Field of Classification Search**
USPC D9/522, 523, 542, 563, 574, 537, 564, D9/748, 516; D28/47
CPC . B65D 1/0223; B65D 2501/0081; B65D 1/02
See application file for complete search history.

DESCRIPTION

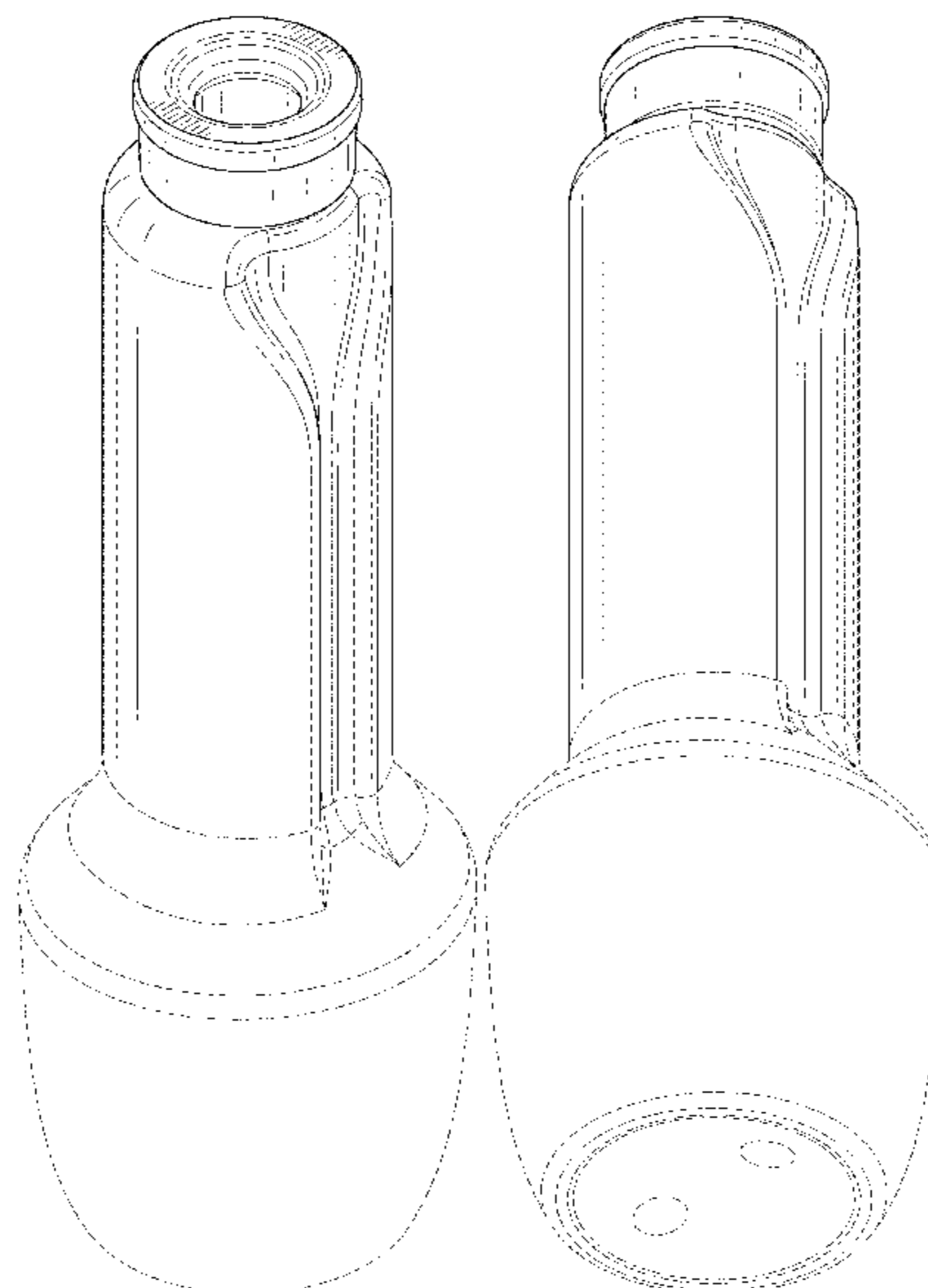
FIG. 1 is a perspective view of a bottle for a shaving razor showing our new design;
FIG. 2 is a front view thereof;
FIG. 3 is a rear view thereof;
FIG. 4 is a right side view thereof;
FIG. 5 is a left side view thereof;
FIG. 6 is a top view thereof;
FIG. 7 is a bottom view thereof; and,
FIG. 8 is another perspective view thereof.
The broken lines are directed to portions of the bottle for a shaving razor and form no part of the claimed design.

(56) **References Cited**

U.S. PATENT DOCUMENTS

514,426 A 2/1894 Outerbridge, Jr.
D176,728 S 1/1956 Nolan
2,747,273 A 5/1956 Olsson
2,803,028 A 8/1957 Flynn
D191,685 S 10/1961 Price
D223,438 S 4/1972 Lluch
D228,343 S 9/1973 Kretz
D238,930 S 2/1976 Dadmun
D268,988 S 5/1983 Hirsh

1 Claim, 7 Drawing Sheets



(56)

References Cited

U.S. PATENT DOCUMENTS

5,855,066 A 1/1999 Manger
D417,034 S 11/1999 Shurtleff
D421,966 S 3/2000 Allen et al.
D429,034 S 8/2000 Shurtleff
D437,661 S 2/2001 Pinchuk
D464,329 S 10/2002 Mainiero
D469,356 S 1/2003 Vo
D474,478 S 5/2003 Laverick et al.
D475,159 S 5/2003 Fisher
D489,984 S 5/2004 Futral et al.
D539,154 S 3/2007 Beach-drummond
D549,671 S 8/2007 Teiber et al.
D561,035 S * 2/2008 Leslie D9/551
D568,746 S 5/2008 Goldsmith et al.
D576,040 S 9/2008 Martins, Jr.
D592,060 S 5/2009 Chupak
D594,339 S 6/2009 Geeraert et al.
D596,037 S 7/2009 Slubski
D602,369 S 10/2009 Potts et al.
7,617,828 B1 11/2009 Sinha
D606,407 S 12/2009 Fadelli
D611,818 S 3/2010 Monin
D614,492 S 4/2010 Hermel
D615,404 S 5/2010 Pitzer et al.
D624,243 S 9/2010 Rhoad
D644,532 S 9/2011 Hodges et al.
D651,515 S 1/2012 Haile
D652,723 S 1/2012 Reisig
D652,991 S 1/2012 Cavazos et al.
D654,221 S 2/2012 Christie et al.
D654,794 S * 2/2012 Morais D9/500
D655,172 S * 3/2012 Brooks D9/522
D656,676 S 3/2012 Cavazos et al.
D656,677 S 3/2012 Cavazos et al.
D660,516 S 5/2012 Christie et al.
D661,594 S 6/2012 Renieris
D663,623 S 7/2012 Slubski
D680,436 S 4/2013 Sanchez
D680,437 S 4/2013 Bartolo et al.
D682,703 S 5/2013 Martin
D684,060 S 6/2013 Hodges
D691,885 S 10/2013 Potts
D694,627 S 12/2013 Sultan
D695,121 S 12/2013 Seo
D699,395 S 2/2014 Bae
D707,128 S * 6/2014 Fedewa D9/539
D710,056 S 7/2014 Martin
D712,026 S 8/2014 Cant et al.
D714,644 S 10/2014 Wagner et al.
D715,150 S 10/2014 Fedewa et al.
D719,446 S 12/2014 Ponomarenko
D730,189 S 5/2015 Haile
D736,644 S 8/2015 Hamilton
D740,676 S 10/2015 Brown et al.
D740,681 S 10/2015 Hamilton
D746,140 S 12/2015 Watabe
D751,932 S 3/2016 Chong et al.
D757,364 S 5/2016 Aulwes et al.
D764,971 S 8/2016 Schulz et al.

D787,333 S 5/2017 Ma
D805,904 S 12/2017 Kim
D811,881 S 3/2018 Lauret
D828,310 S 9/2018 Luke et al.
D829,468 S 10/2018 Anderson et al.
D829,993 S 10/2018 Hage et al.
D830,826 S 10/2018 Bae
D839,477 S 1/2019 Hodgson
D843,658 S 3/2019 Kong
D864,722 S 10/2019 Kauffman et al.
D874,941 S 2/2020 Wittek et al.
D883,784 S 5/2020 Laib et al.
D887,641 S 6/2020 Ramm et al.
D894,598 S 9/2020 Applegate et al.
10,800,058 B2 10/2020 Eagleton et al.
D909,136 S 2/2021 Hannouche
D911,606 S 2/2021 Ramm et al.
D918,051 S 5/2021 Sanghavi
D932,906 S 10/2021 Schulz
D937,681 S * 12/2021 Ramm D9/516
D942,860 S * 2/2022 Bridges D9/564
2008/0209733 A1 9/2008 Johnson
2009/0134111 A1 5/2009 Schroeder
2009/0235530 A1 9/2009 Tomassetti
2009/0320293 A1 12/2009 Clarke
2010/0107415 A1 5/2010 Kurzet
2012/0102742 A1 5/2012 Jessemey
2012/0102749 A1 5/2012 Wain et al.
2012/0102761 A1 5/2012 Jessemey et al.
2013/0145625 A1 6/2013 Xu
2013/0145626 A1 6/2013 Xu
2014/0183226 A1 7/2014 Fily
2015/0013166 A1 1/2015 Burrowes et al.
2015/0121704 A1 5/2015 Bridges et al.
2015/0121705 A1 5/2015 Coffindaffer et al.
2017/0266827 A1 9/2017 Moretti
2018/0200899 A1 7/2018 Eagleton
2018/0297221 A1 10/2018 Hodgson
2018/0297222 A1 10/2018 Hodgson
2018/0297225 A1 10/2018 Hodgson
2019/0299466 A1 10/2019 Goeder et al.
2019/0299471 A1 10/2019 Verasamy et al.
2019/0299472 A1 10/2019 Johnson et al.
2019/0365078 A1 12/2019 Bourque
2019/0365079 A1 12/2019 Bourque
2020/0114381 A1 4/2020 Bhandari
2020/0254639 A1 8/2020 Bridges et al.
2021/0283791 A1 9/2021 Siegmann et al.

OTHER PUBLICATIONS

All Office Actions, U.S. Appl. No. 16/788,747.
All Office Actions, U.S. Appl. No. 29/650,040.
All Office Actions, U.S. Appl. No. 29/650,044.
All Office Actions, U.S. Appl. No. 29/679,988.
All Office Actions, U.S. Appl. No. 29/734,437.
All Office Actions; U.S. Appl. No. 17/943,992, filed Sep. 13, 2022.
U.S. Appl. No. 17/943,992, filed Sep. 13, 2022, to Kelly Daniel Bridges et al.

* cited by examiner

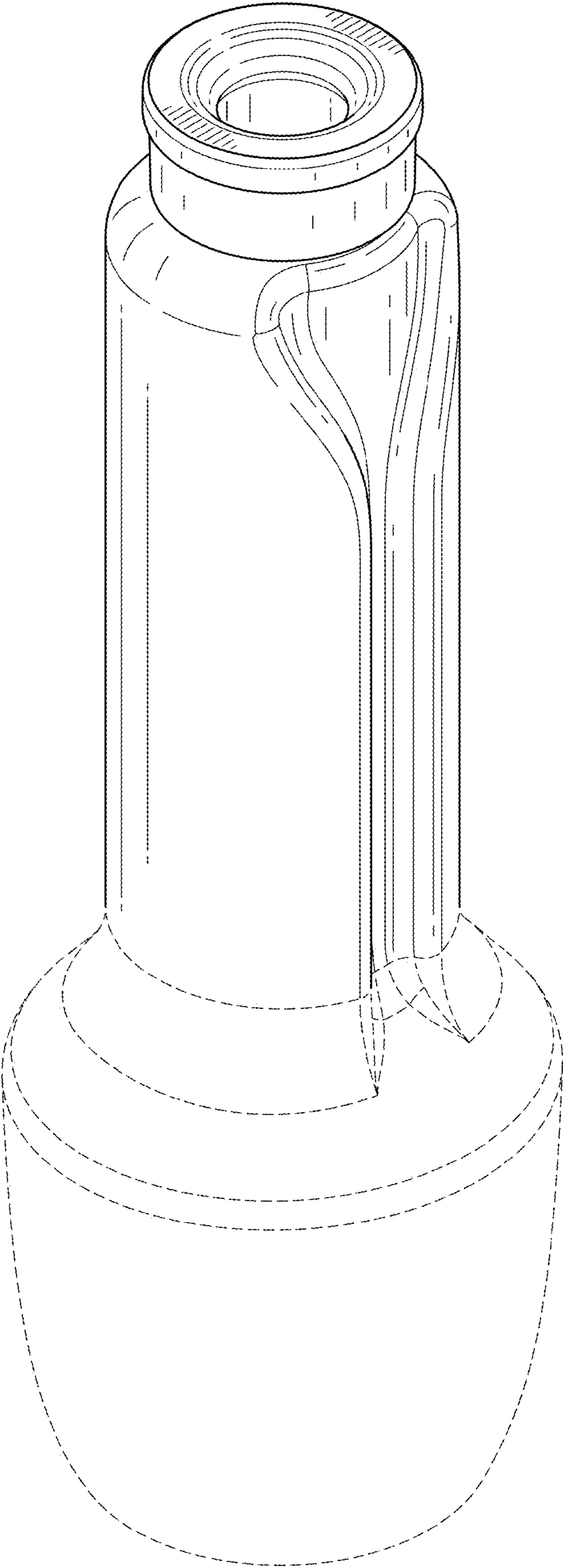


FIG. 1

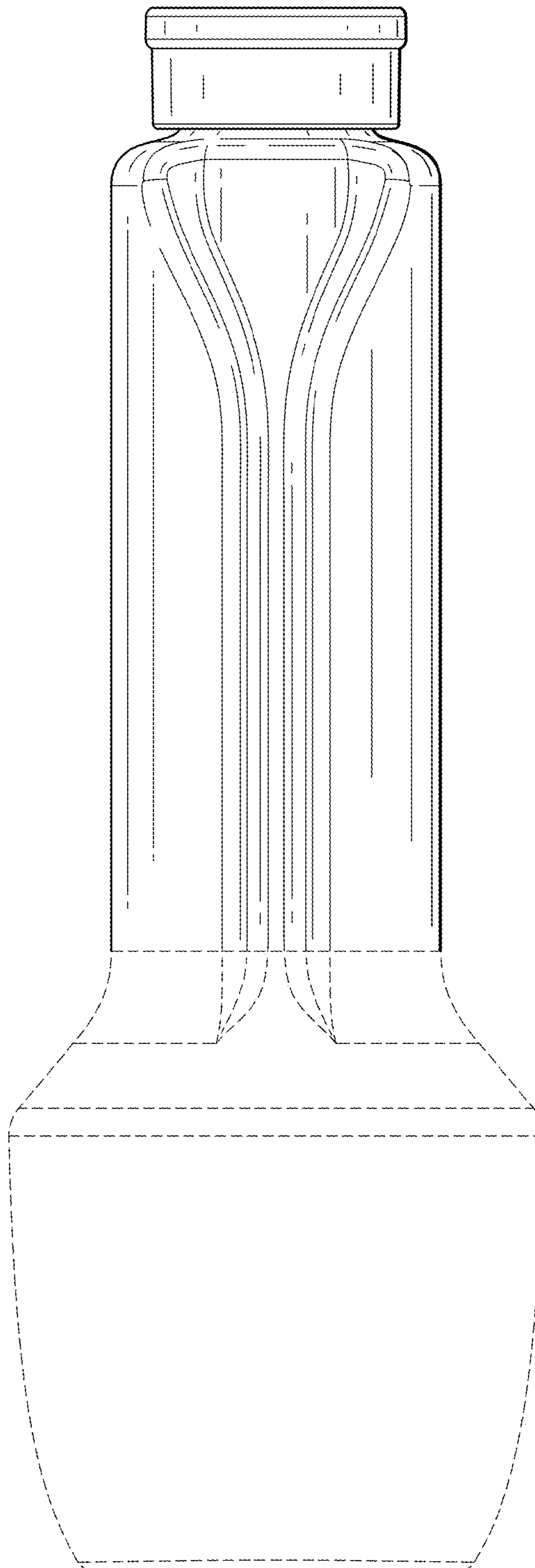


FIG. 2

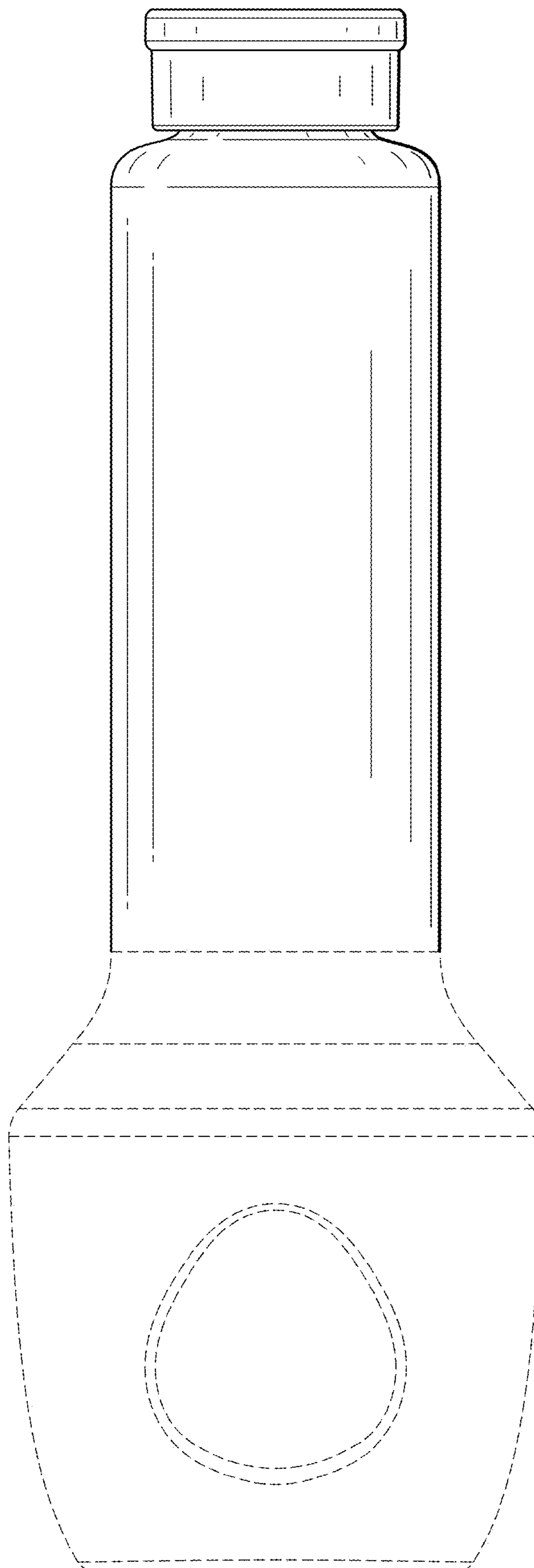


FIG. 3

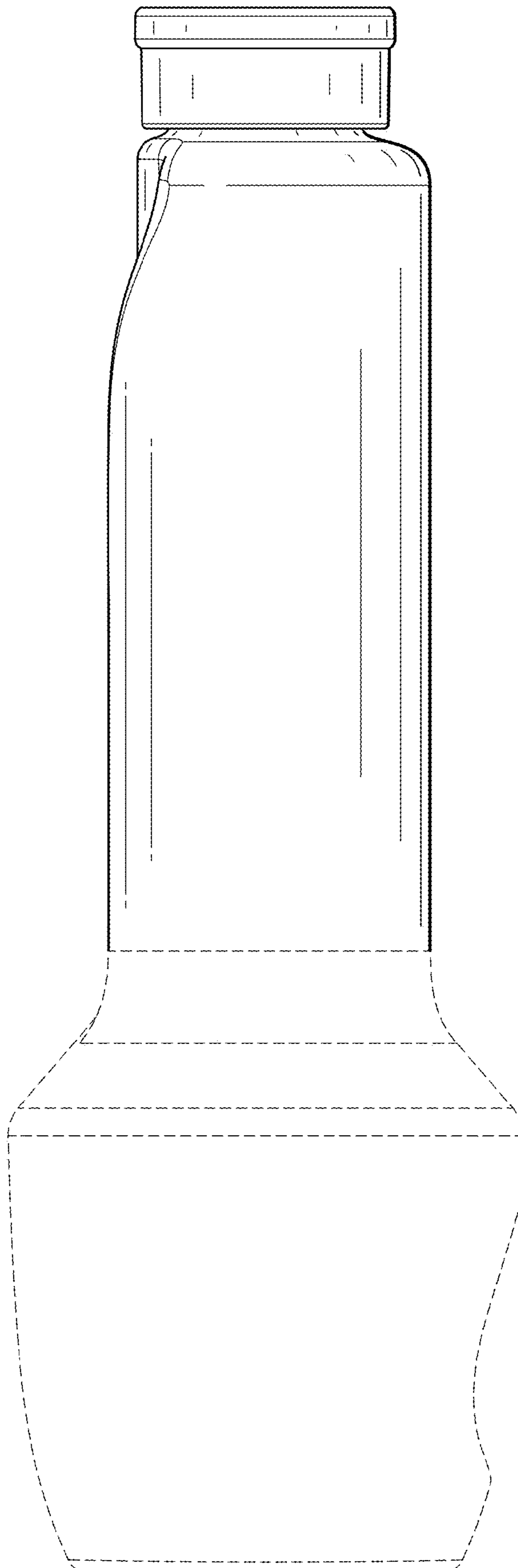


FIG. 4

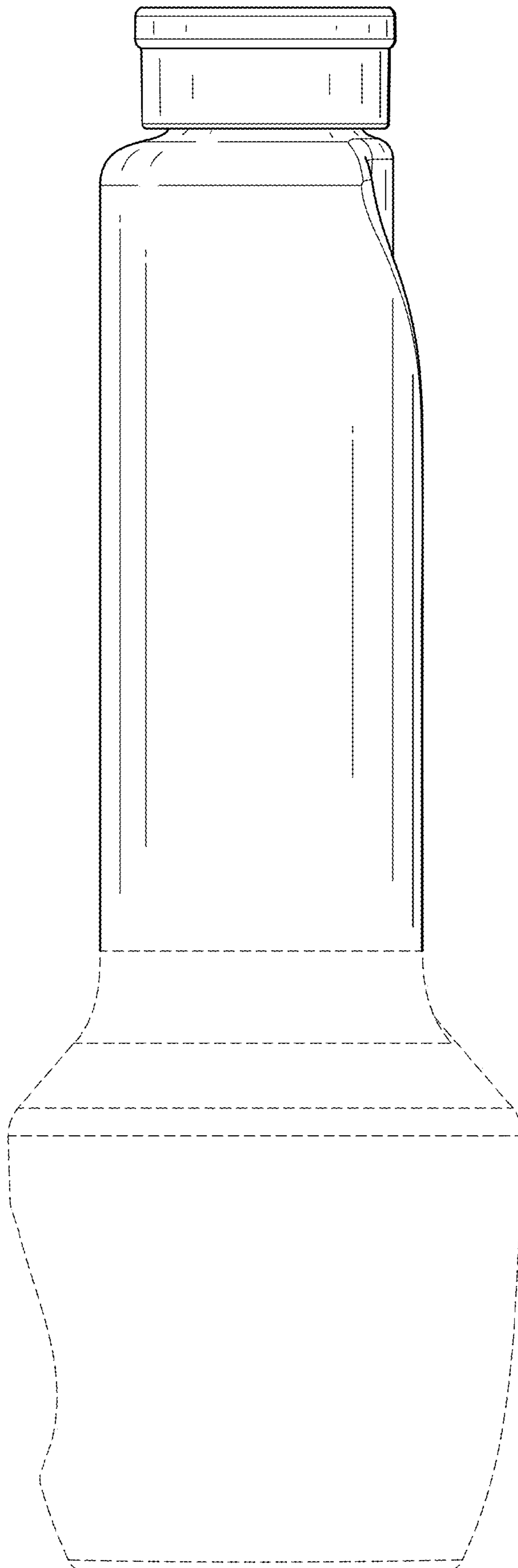


FIG. 5

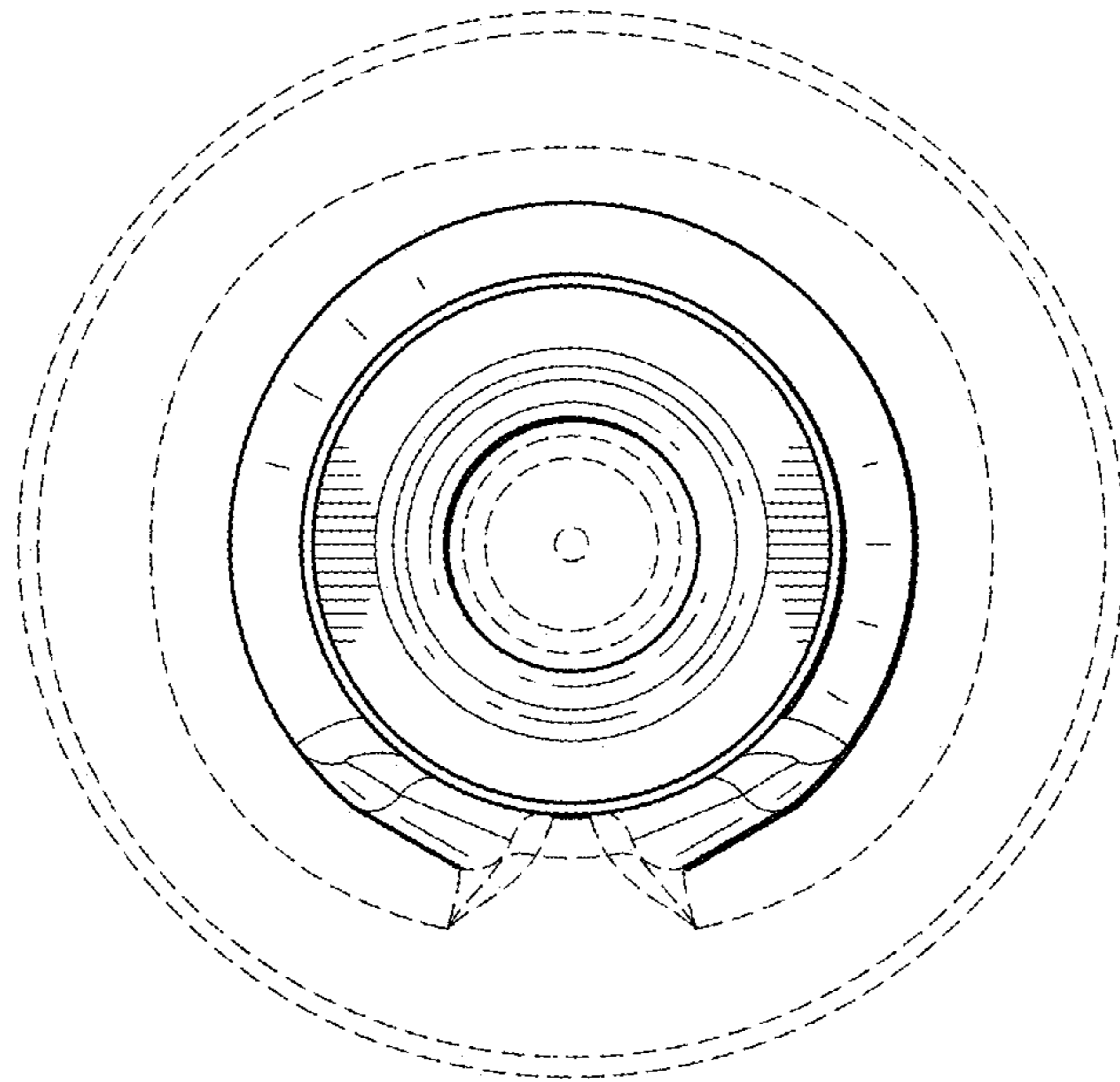


FIG. 6

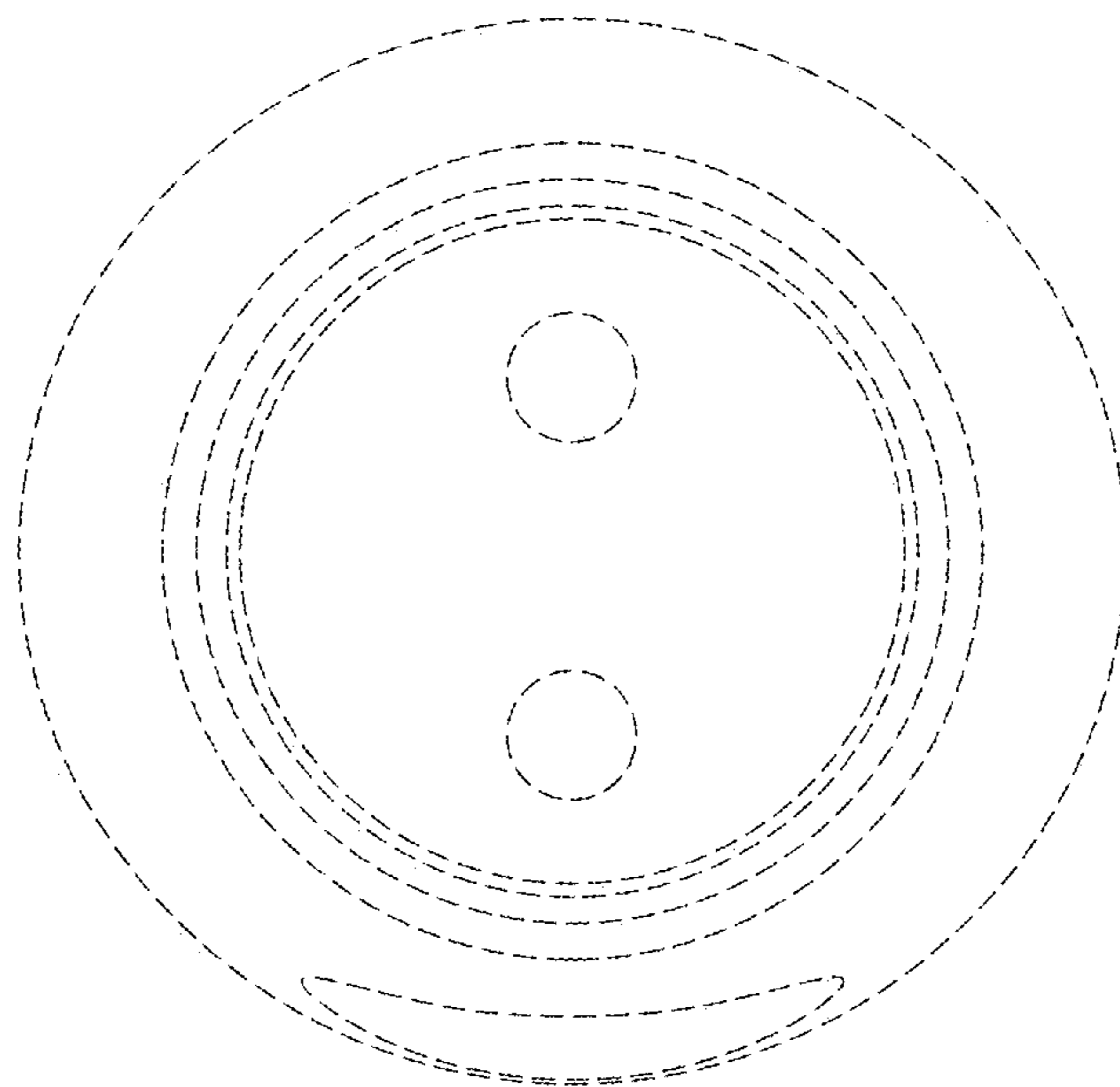


FIG. 7

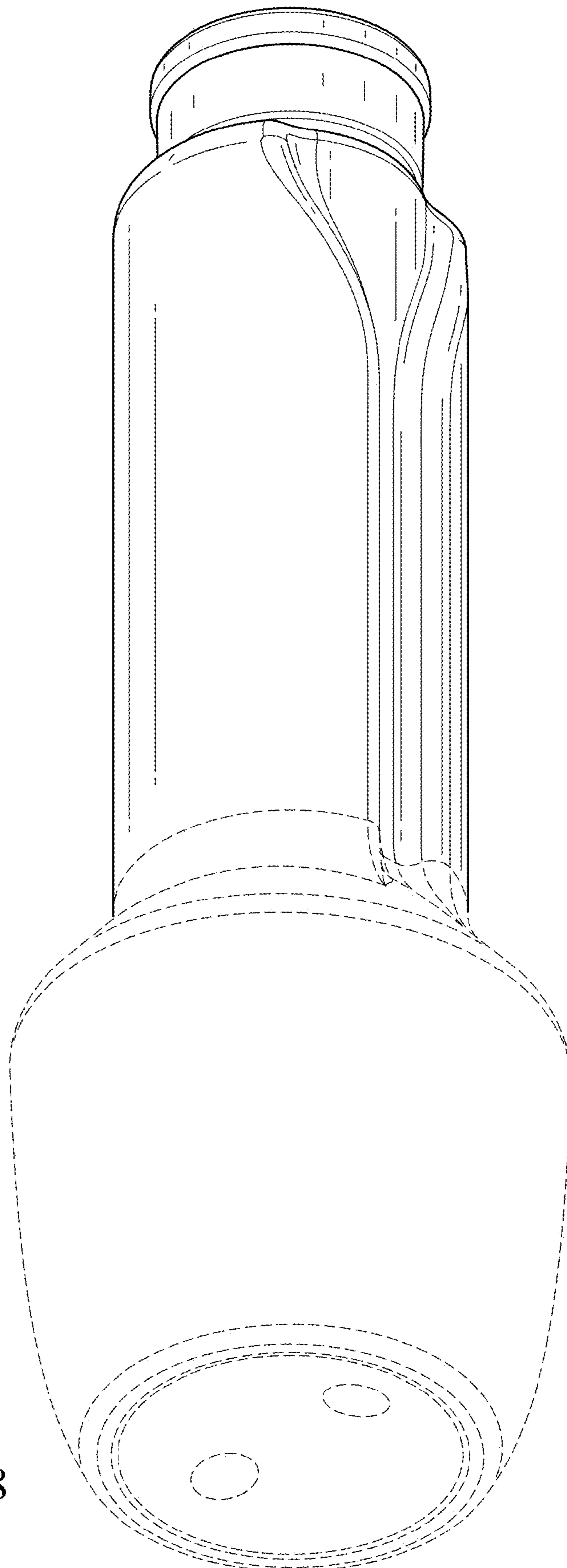


FIG. 8