



US00D977335S

(12) **United States Design Patent** (10) **Patent No.:** **US D977,335 S**
Hsu (45) **Date of Patent:** **** Feb. 7, 2023**

(54) **PORTION CUP**

(71) Applicant: **Banyan International LLC**,
Farmingdale, NY (US)

(72) Inventor: **Jimmy Hsu**, Locust Valley, NY (US)

(73) Assignee: **Banyan International LLC**,
Farmingdale, NY (US)

(**) Term: **15 Years**

(21) Appl. No.: **29/761,752**

(22) Filed: **Dec. 11, 2020**

(51) **LOC (14) Cl.** **09-03**

(52) **U.S. Cl.**
USPC **D9/425; D9/428**

(58) **Field of Classification Search**
USPC D7/612, 613, 614, 615, 629; D9/337,
D9/420, 421, 422, 423, 424, 425, 426,
D9/428, 429

(Continued)

(56) **References Cited**

U.S. PATENT DOCUMENTS

D445,674 S * 7/2001 Pritchett D9/707
D467,800 S * 12/2002 Chen D9/429

(Continued)

FOREIGN PATENT DOCUMENTS

GB 1038701 * 12/1986

OTHER PUBLICATIONS

Sure Fresh Professional Oval Food Container with Lid by SureFresh Online. Published date Mar. 21, 2018. Retrived on Oct. 24, 2022 from URL:<https://www.amazon.com/Sure-Fresh-Professional-Oval-Container/dp/B07BLYZ86H> (Year: 2018).*

(Continued)

Primary Examiner — Jae Liang

Assistant Examiner — Royner Mendoza

(74) *Attorney, Agent, or Firm* — Bodner & O'Rourke, LLP; Gerald T. Bodner; Christian P. Bodner

(57) **CLAIM**

The ornamental design of a portion cup, substantially as shown and described.

DESCRIPTION

FIG. 1 is an exploded, top front perspective view of a first embodiment of a portion cup showing my new design; FIG. 2 is an exploded, bottom rear perspective view thereof; FIG. 3 is an exploded, top plan view thereof; FIG. 4 is an exploded, bottom plan view thereof; FIG. 5 is an exploded, left elevational view thereof; FIG. 6 is an exploded, right elevational view thereof; FIG. 7 is an exploded, front elevational view thereof; FIG. 8 is an exploded, rear elevational view thereof; FIG. 9 is a top front perspective view thereof; FIG. 10 is a bottom rear perspective view thereof; FIG. 11 is a top plan view thereof; FIG. 12 is a bottom plan view thereof; FIG. 13 is a left elevational view thereof; FIG. 14 is a right elevational view thereof; FIG. 15 is a front elevational view thereof; FIG. 16 is a rear elevational view thereof; FIG. 17 is an exploded, top front perspective view of a second embodiment of a portion cup showing my new design; FIG. 18 is an exploded, bottom rear perspective view thereof; FIG. 19 is an exploded, top plan view thereof; FIG. 20 is an exploded, bottom plan view thereof; FIG. 21 is an exploded, left elevational view thereof; FIG. 22 is an exploded, right elevational view thereof; FIG. 23 is an exploded, front elevational view thereof; FIG. 24 is an exploded, rear elevational view thereof; FIG. 25 is a top front perspective view thereof; FIG. 26 is a bottom rear perspective view thereof; FIG. 27 is a top plan view thereof; FIG. 28 is a bottom plan view thereof; FIG. 29 is a left elevational view thereof; FIG. 30 is a right elevational view thereof;

(Continued)

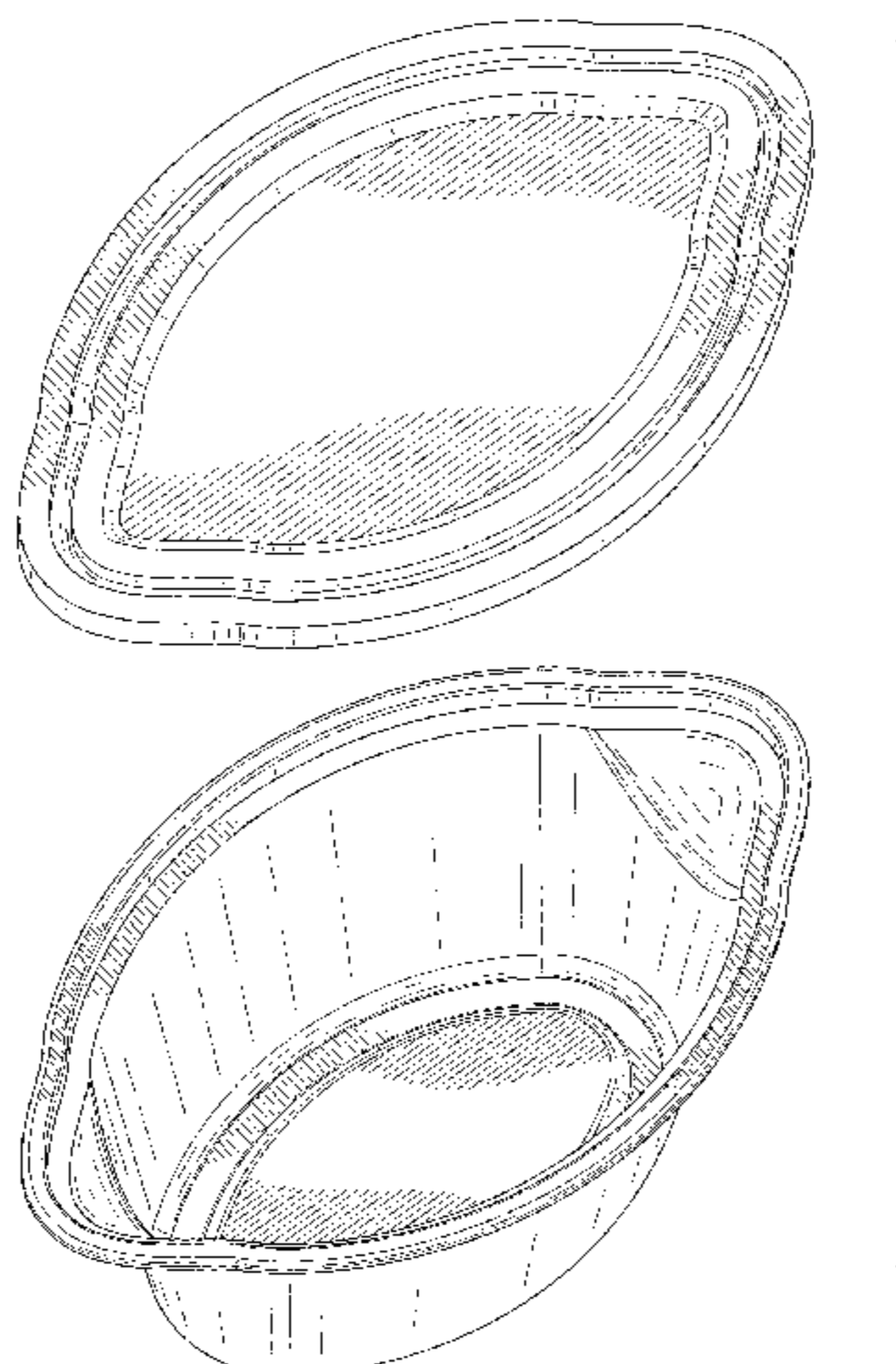


FIG. 31 is a front elevational view thereof; and,
FIG. 32 is a rear elevational view thereof.
The broken lines in the drawings illustrate portions of the
portion cup that form no part of the claimed design.

1 Claim, 22 Drawing Sheets

(58) **Field of Classification Search**

CPC A45F 3/20; A45F 2003/205; A47G 19/32;
A47G 23/08; A47G 2019/2277; A47G
19/2211; A47G 19/2216; B65D 3/06
See application file for complete search history.

(56) **References Cited**

U.S. PATENT DOCUMENTS

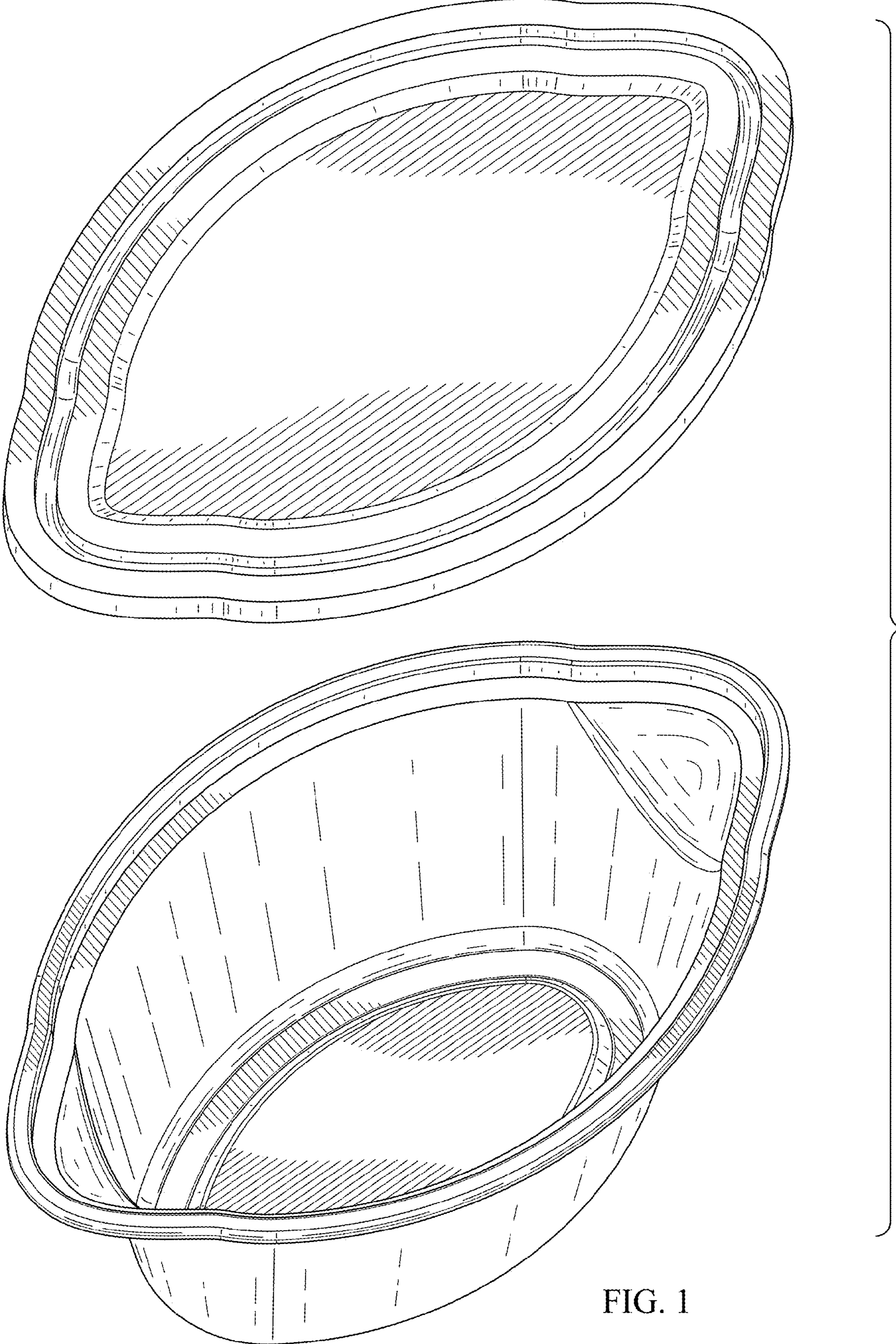
D469,315 S * 1/2003 Thonis D7/602
D510,788 S * 10/2005 Barre D1/199

D577,996 S * 10/2008 Isono D9/428
D590,663 S * 4/2009 Simon D7/545
D688,917 S * 9/2013 Ludeman D7/586
D756,771 S * 5/2016 Covey D9/425
D781,109 S * 3/2017 Rubino D7/587
D795,054 S * 8/2017 Likourezos D9/414
D807,170 S * 1/2018 Fisher D9/428
D843,205 S * 3/2019 Penn D9/428
D845,755 S * 4/2019 Delgado Carmona D9/425
D855,456 S * 8/2019 Fisher D9/428
D864,712 S * 10/2019 Omar D9/428
D917,274 S * 4/2021 Kopulos D9/414

OTHER PUBLICATIONS

Newspring E1002 Ellipso 2 oz. Clear Oval Plastic Souffle / Portion
Cup—50/Pack by Splyco Online. Published date N/A. Retrieved on
Oct. 24, 2022 from URL:<https://www.splyco.com/product/newspring-e1002-ellipso-2-oz-clear-oval-plastic-souffle-portion-cup-50-pack/> (Year:
2022).*

* cited by examiner



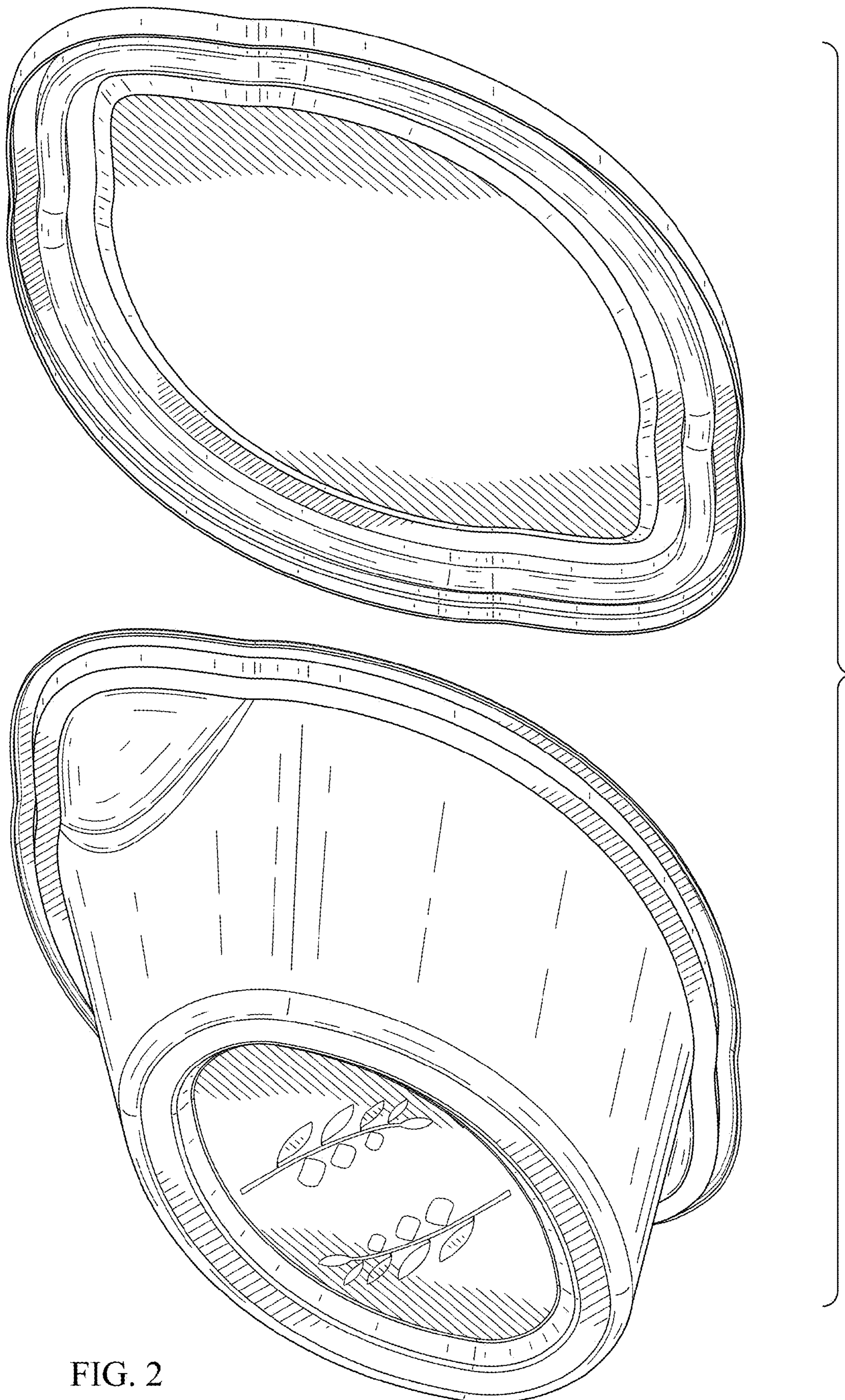


FIG. 2

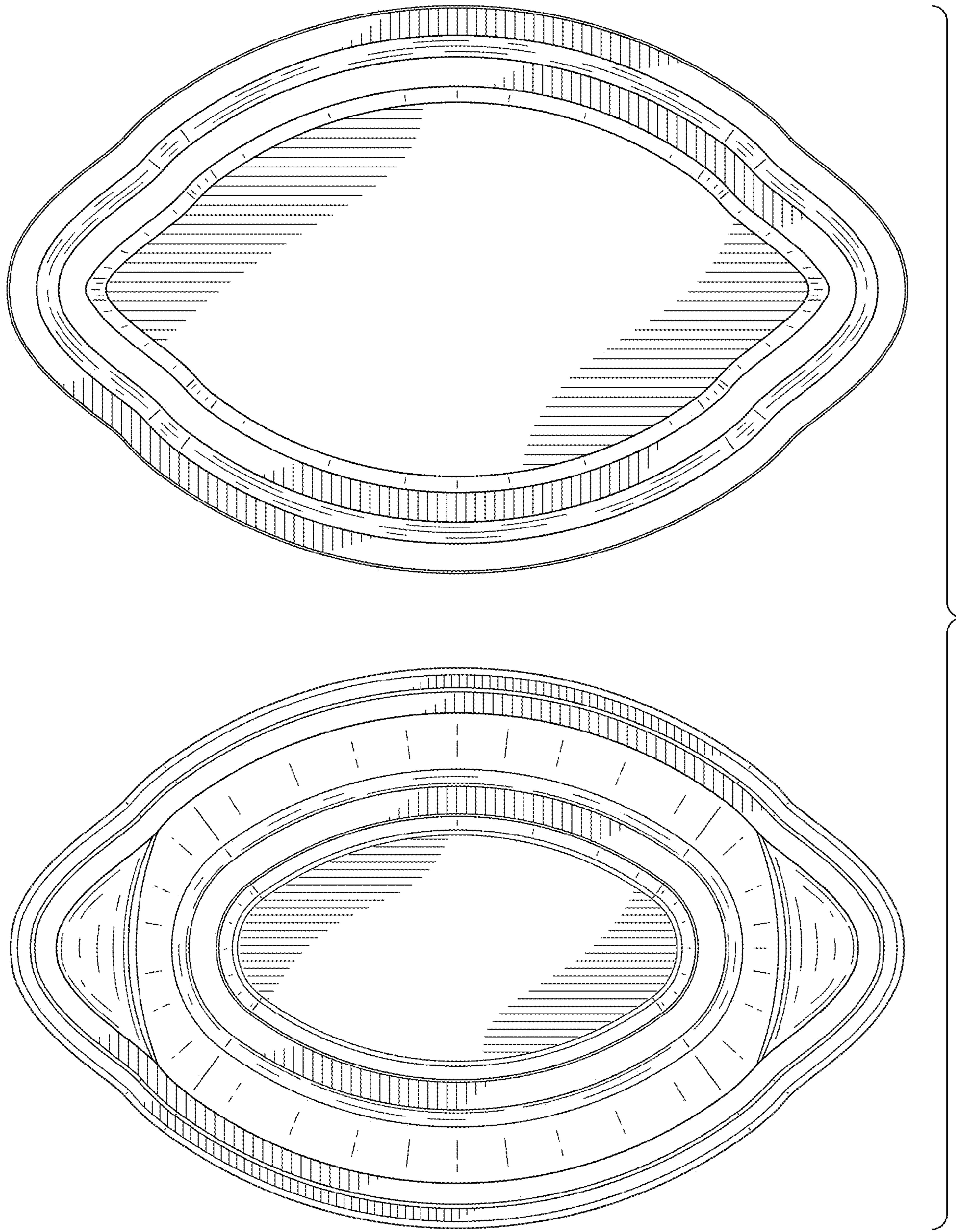


FIG. 3

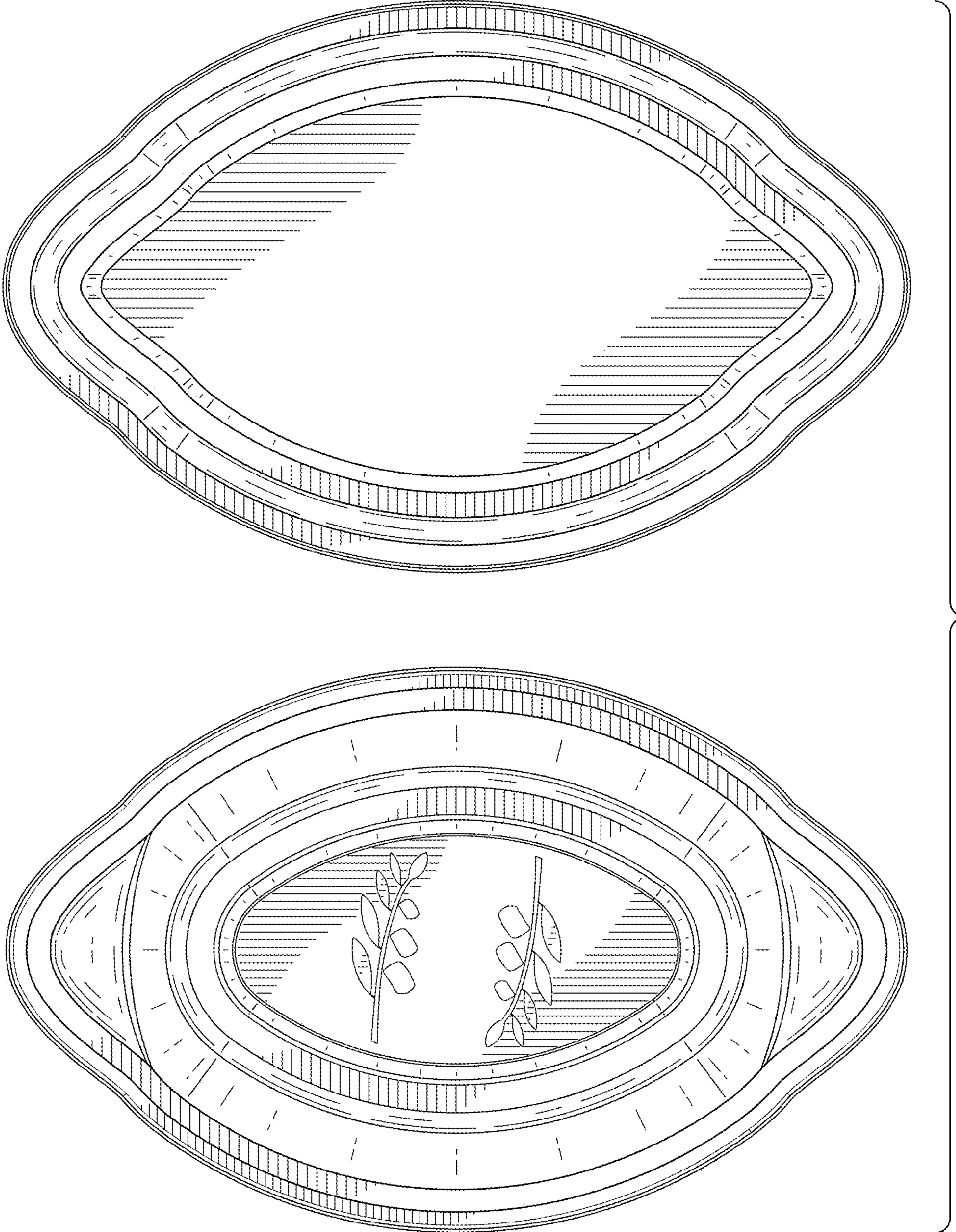


FIG. 4

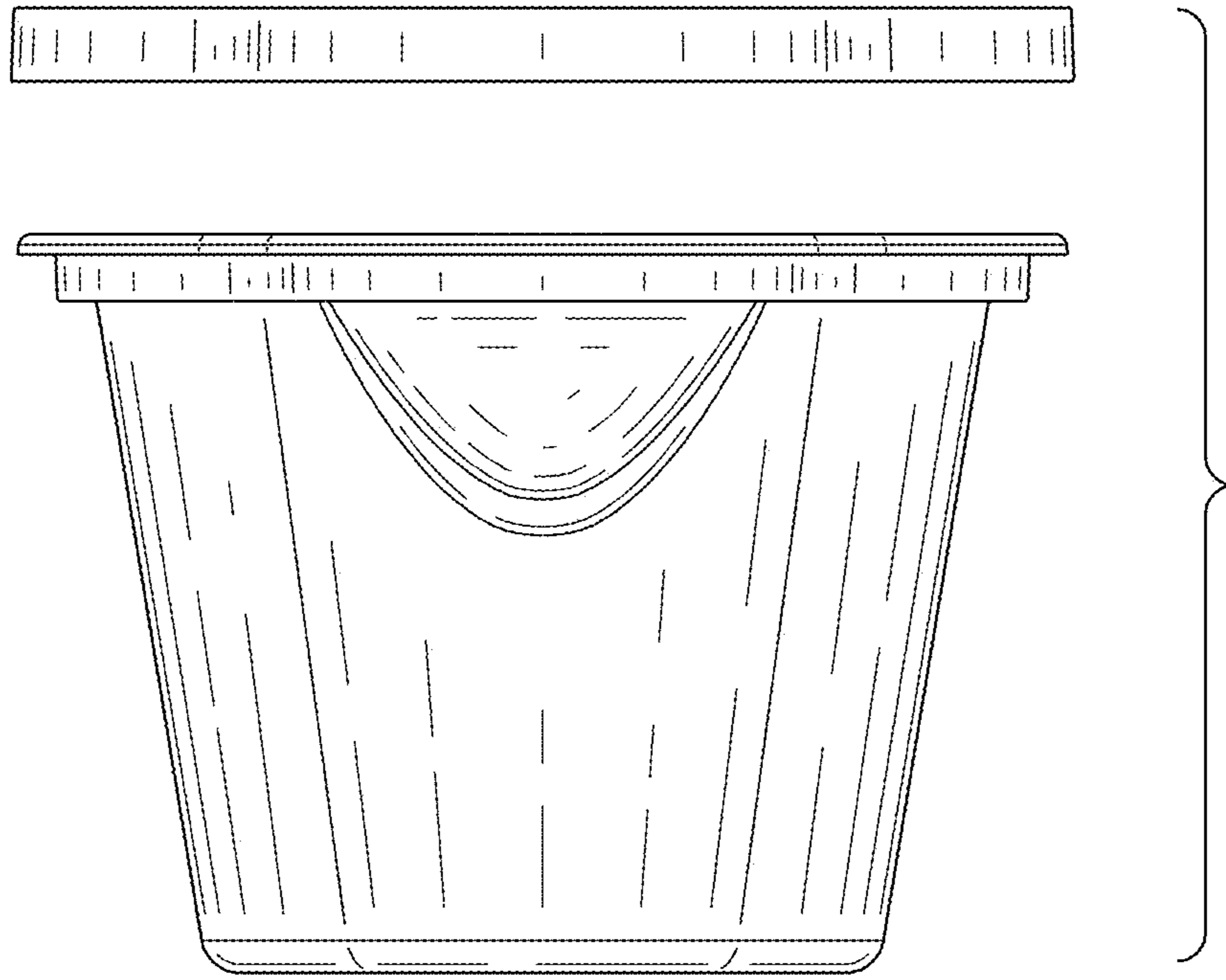


FIG. 5

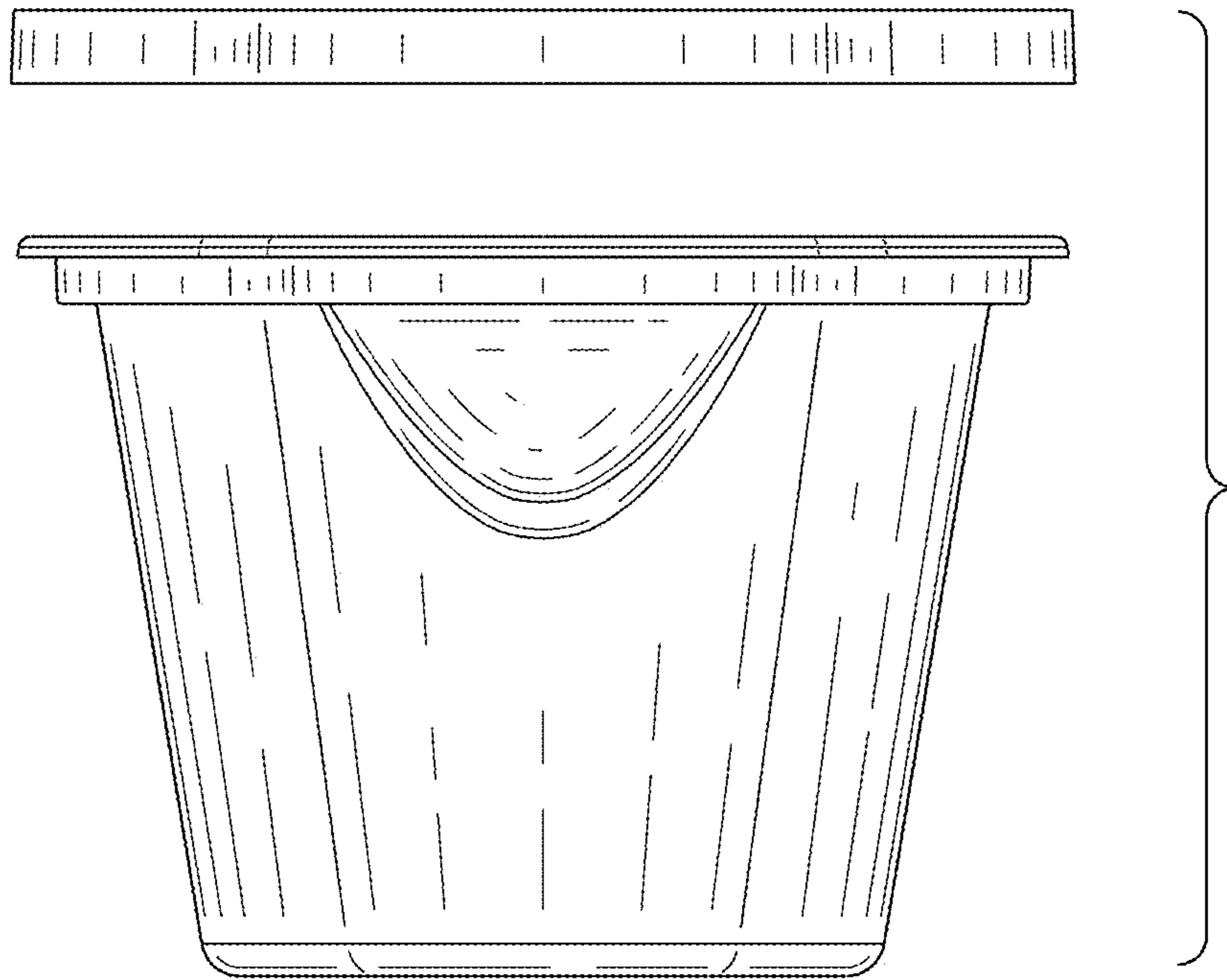


FIG. 6

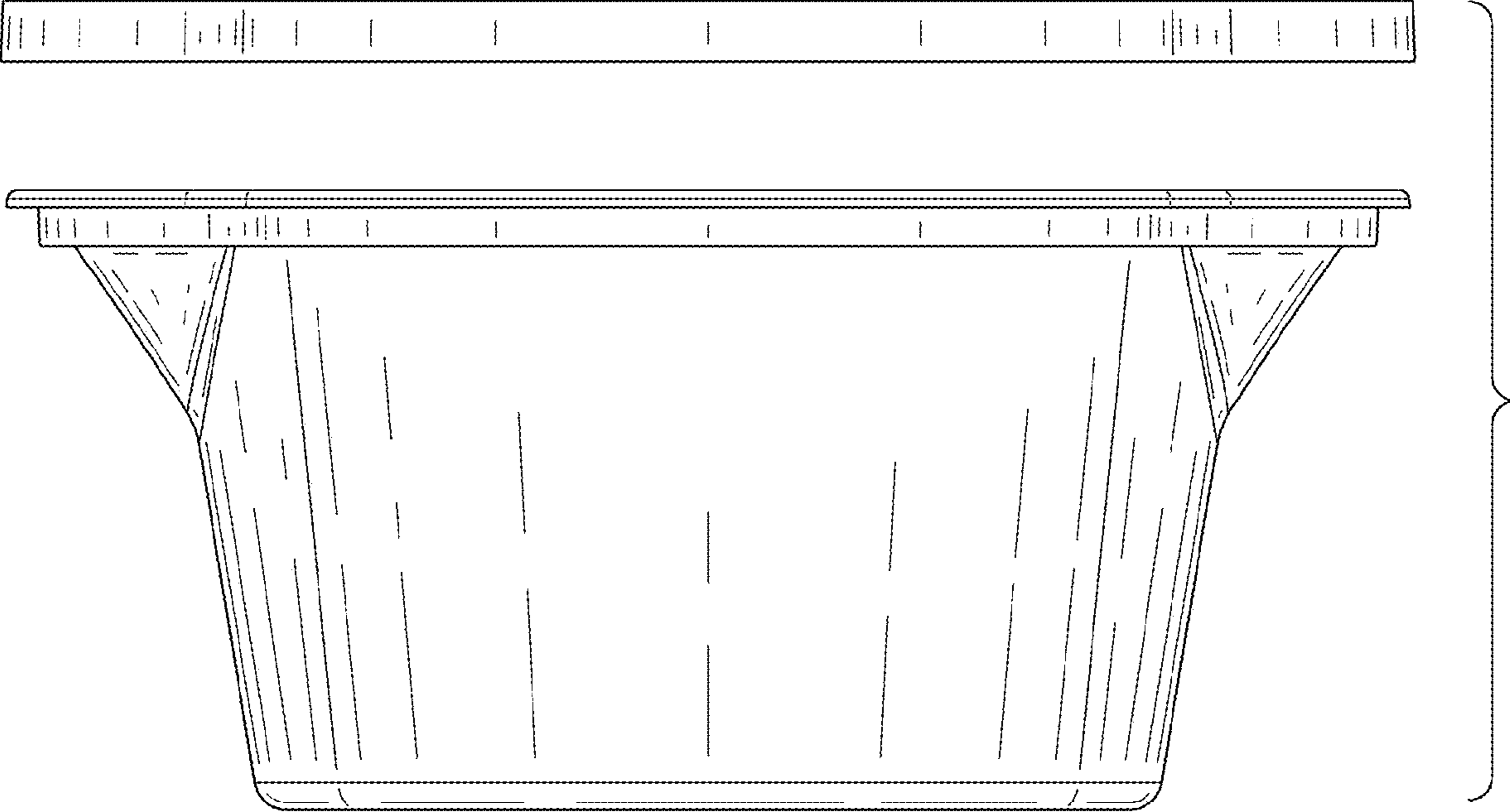


FIG. 7

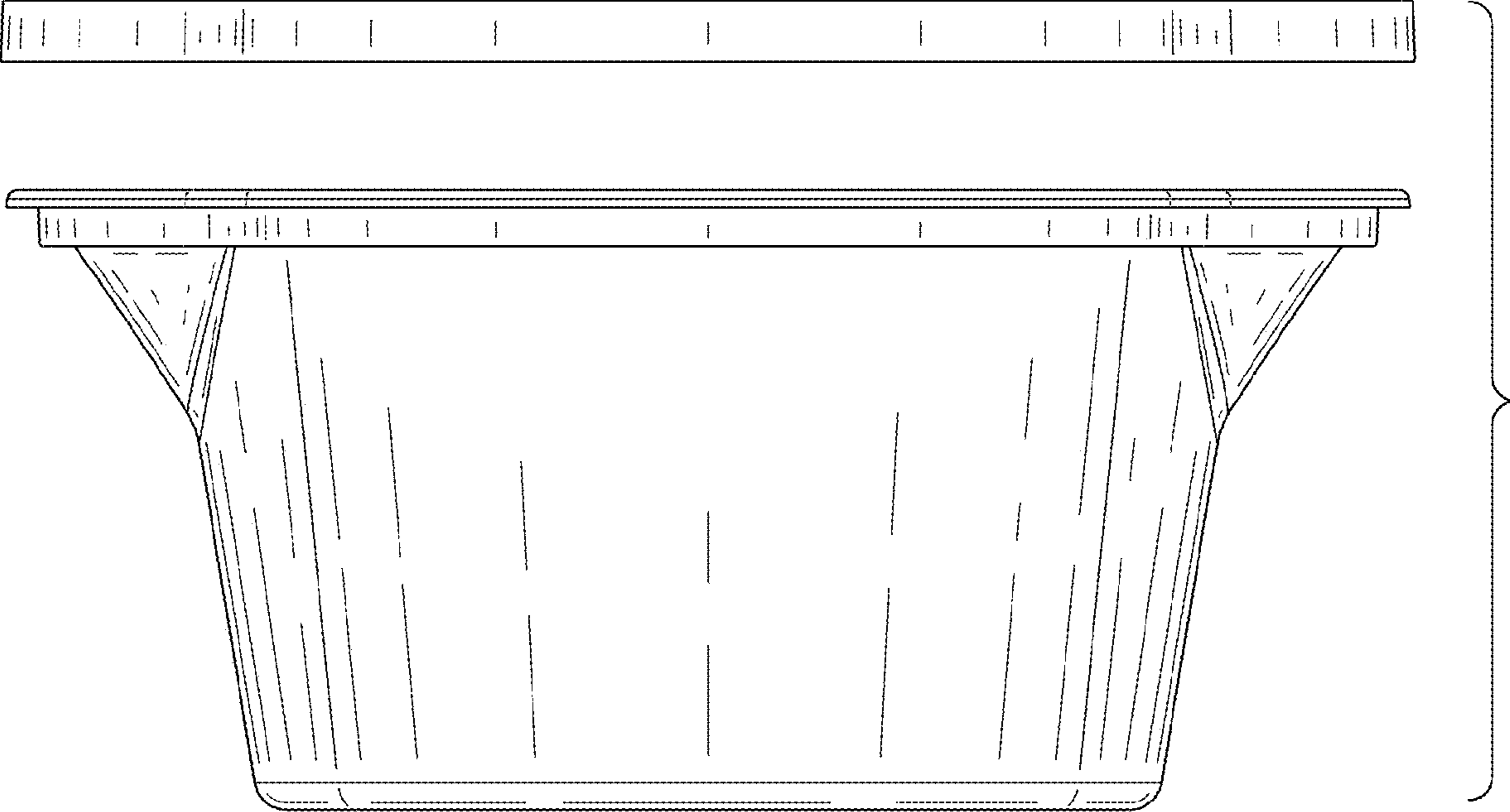


FIG. 8

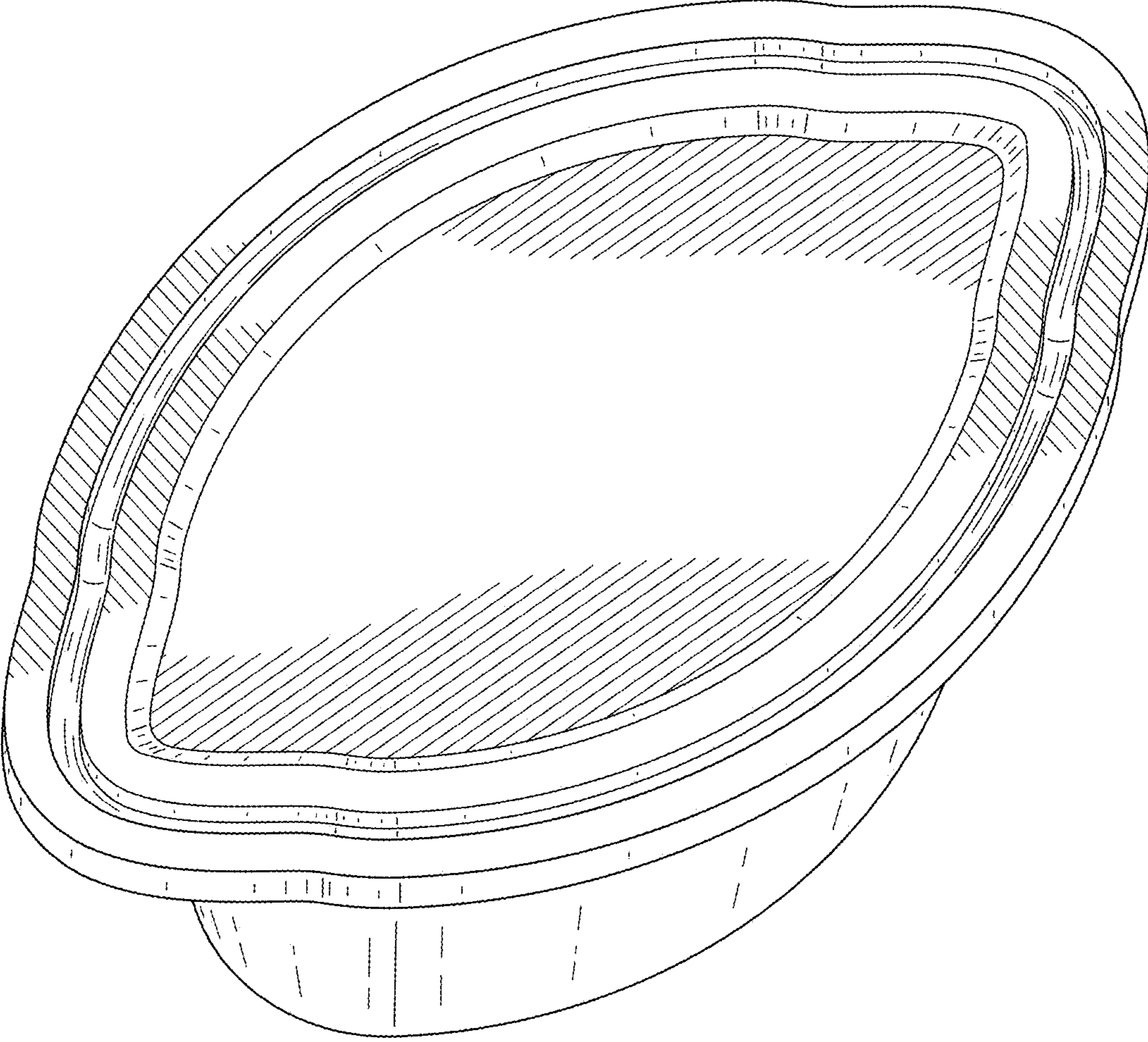


FIG. 9

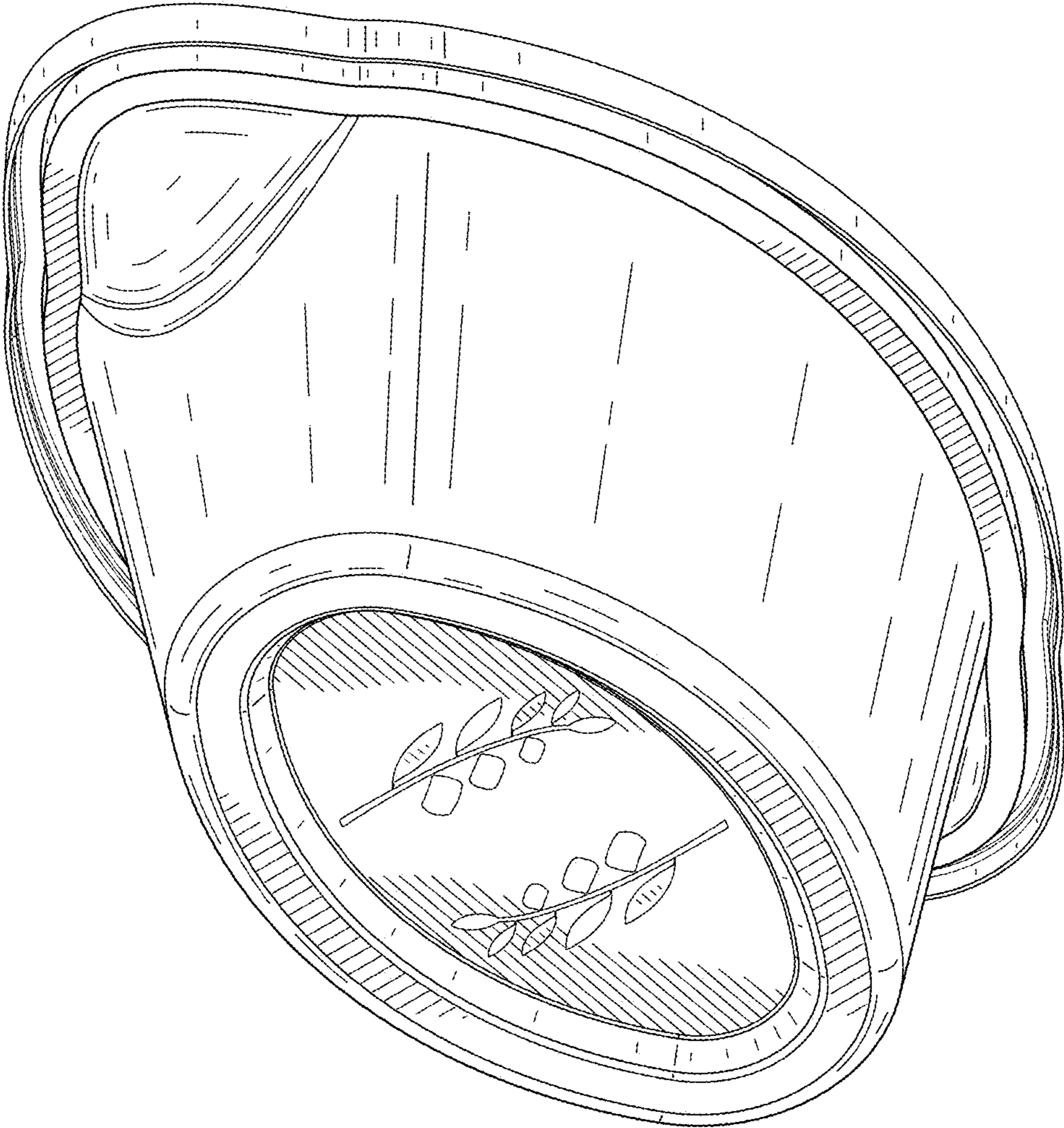


FIG. 10

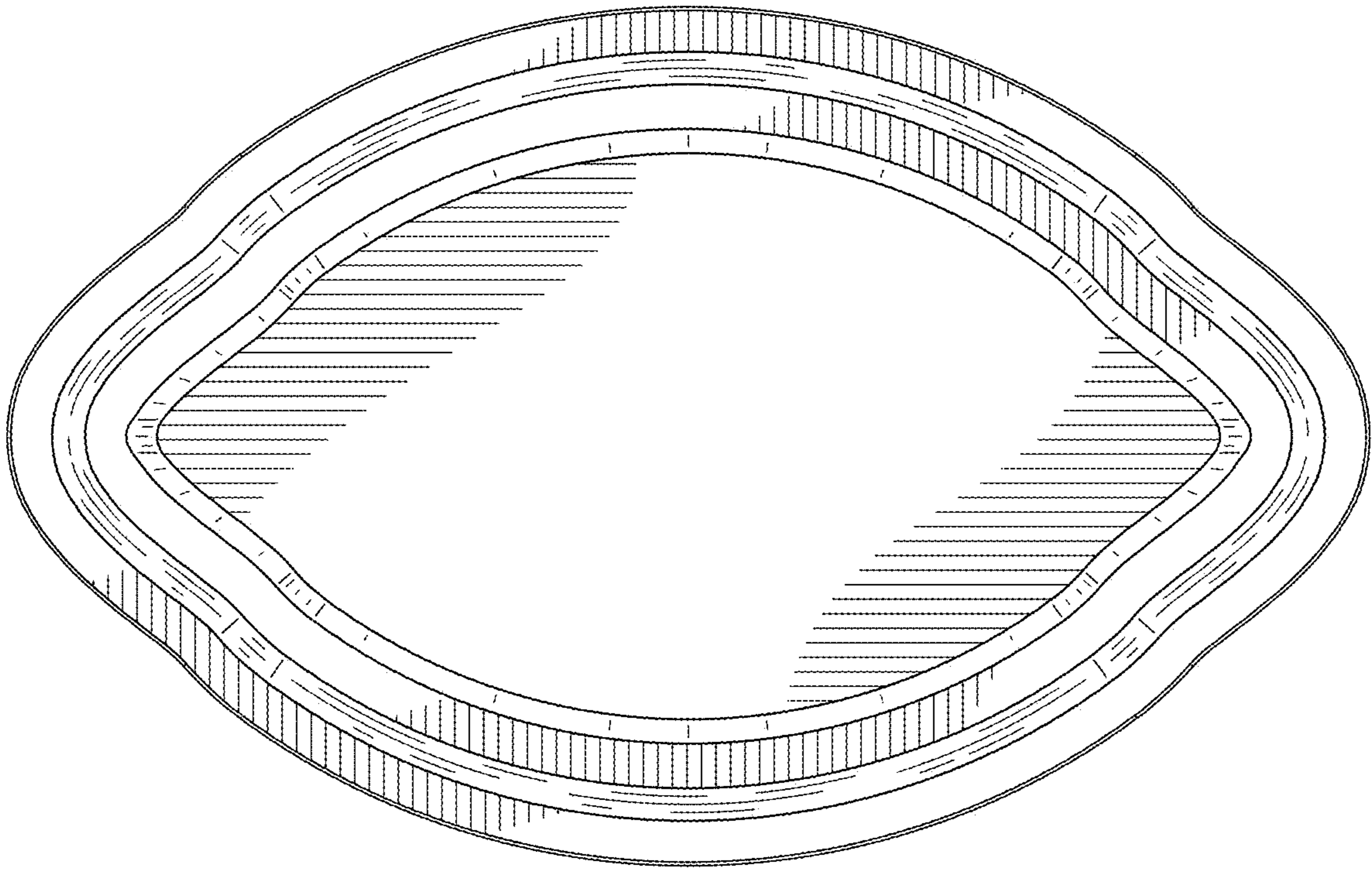


FIG. 11

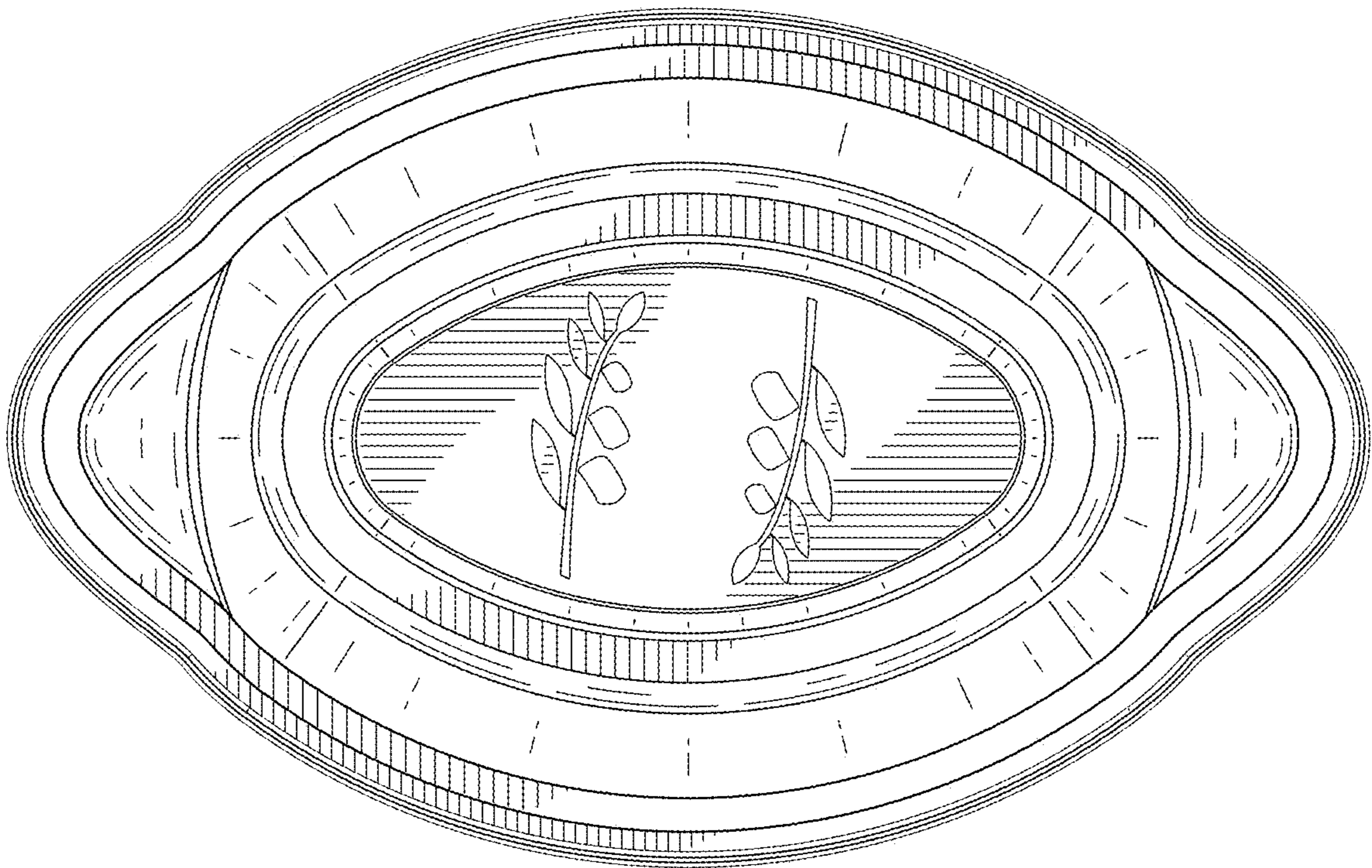


FIG. 12

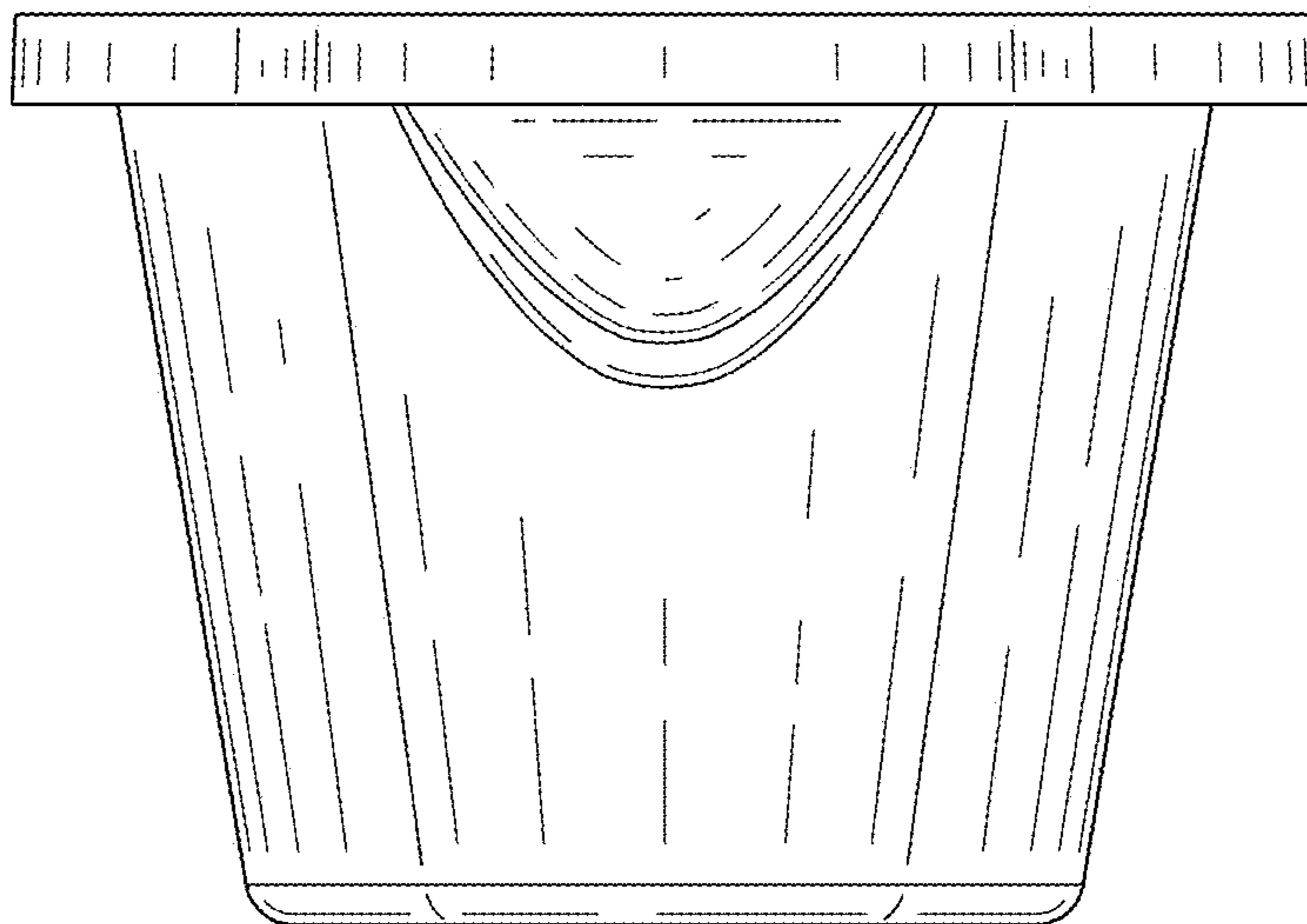


FIG. 13

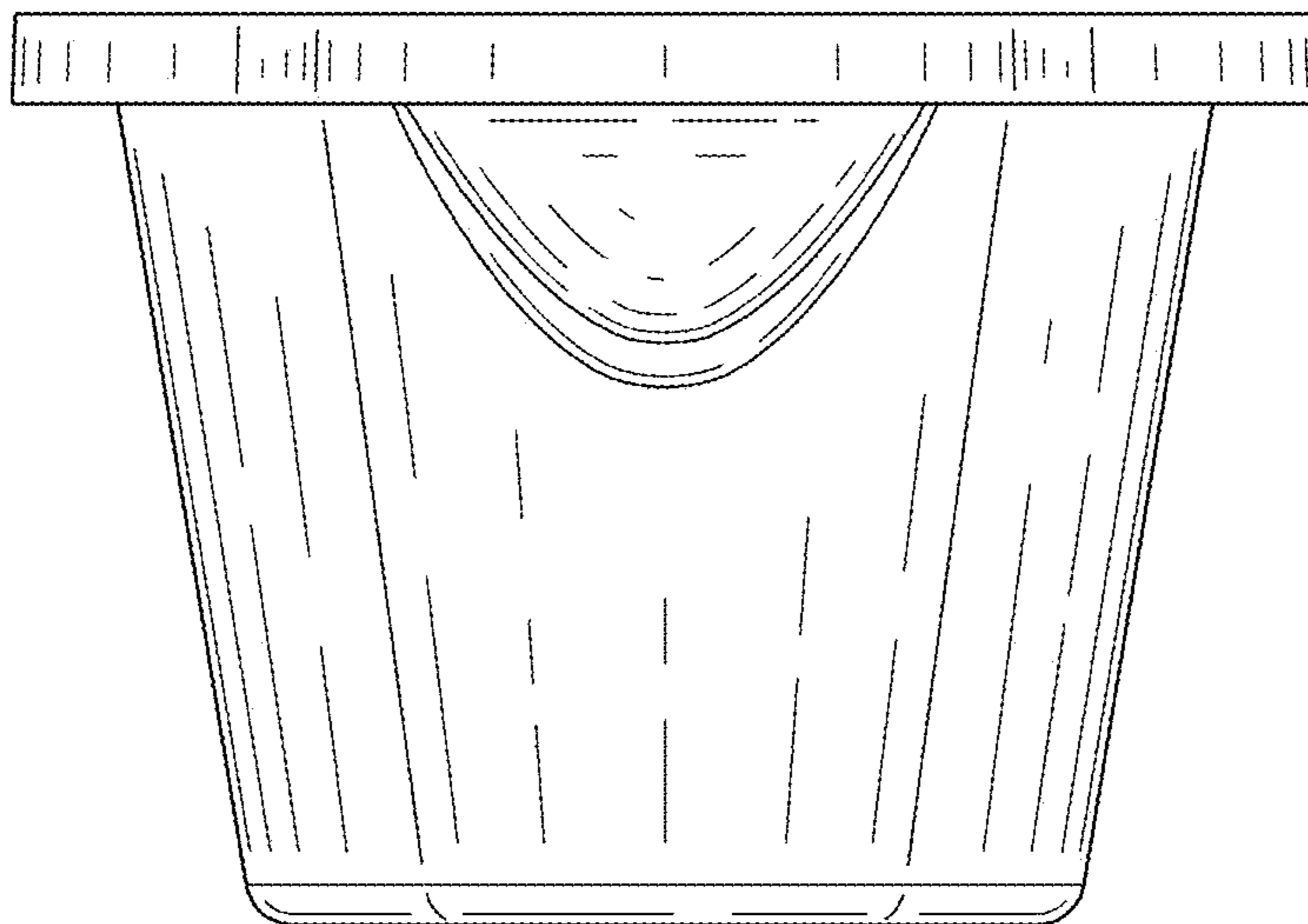


FIG. 14

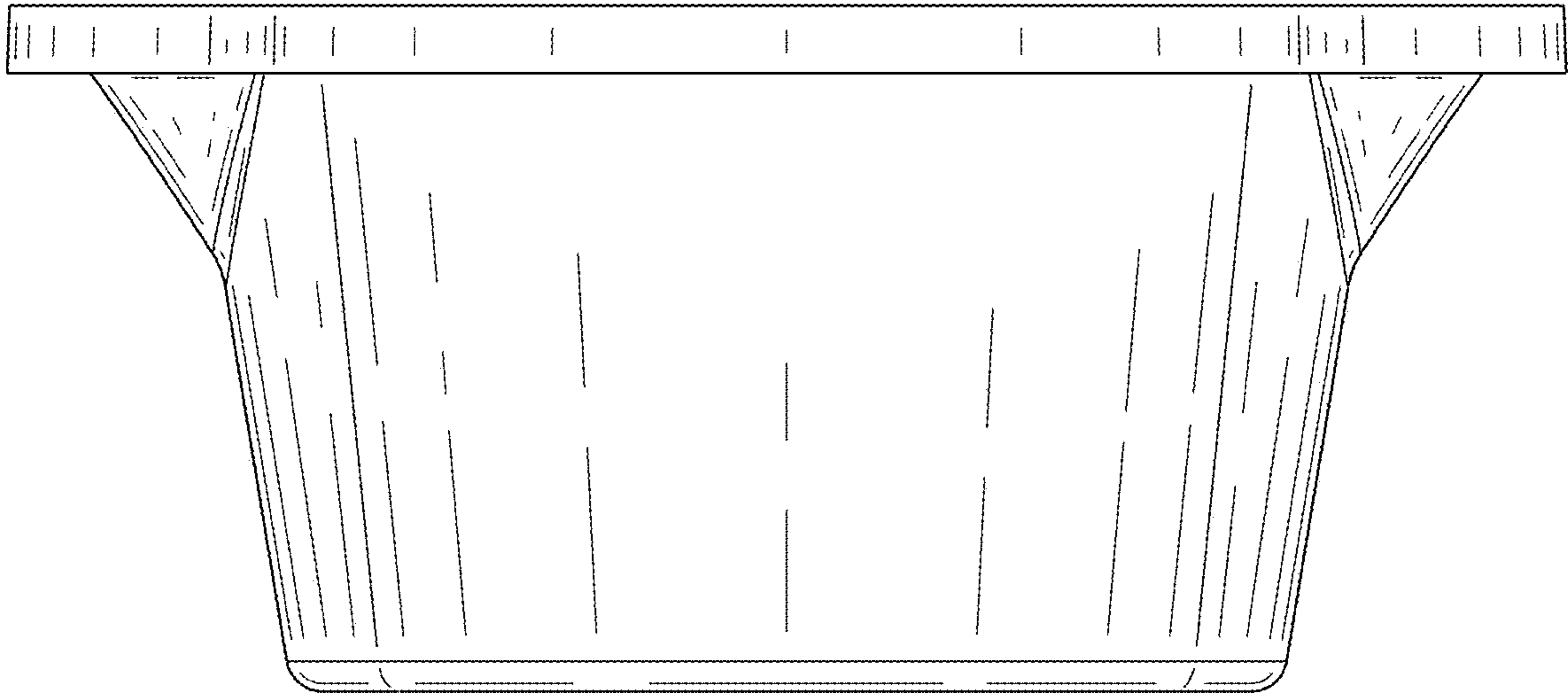


FIG. 15

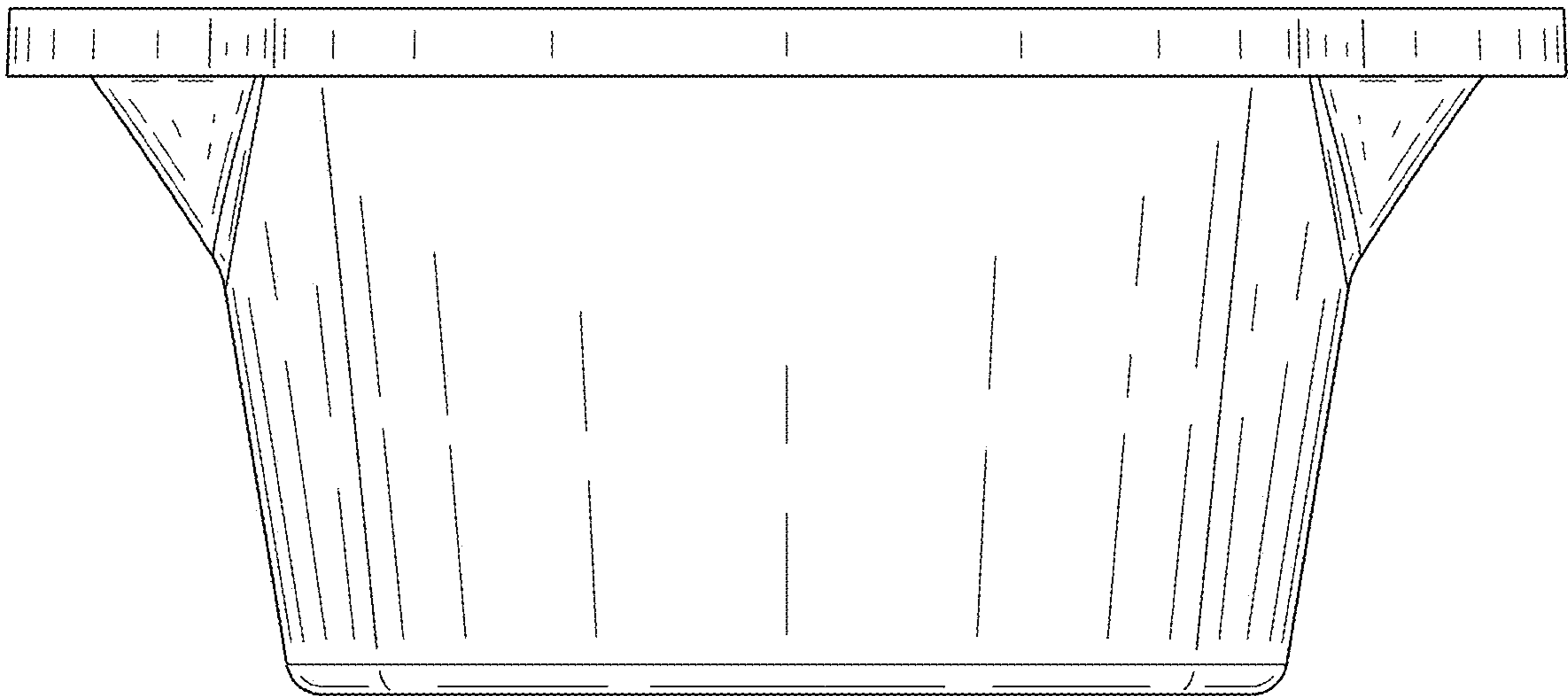


FIG. 16

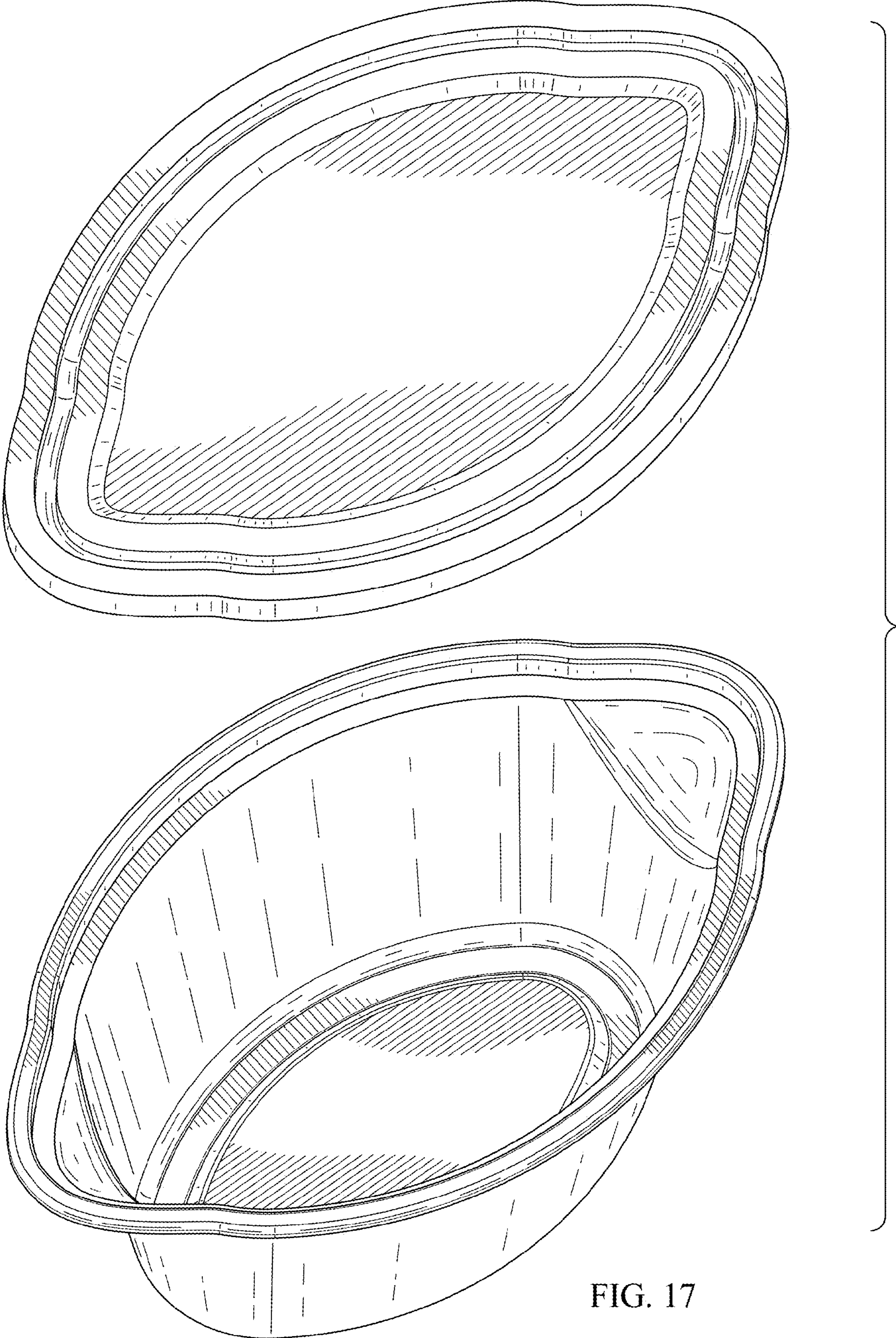


FIG. 17

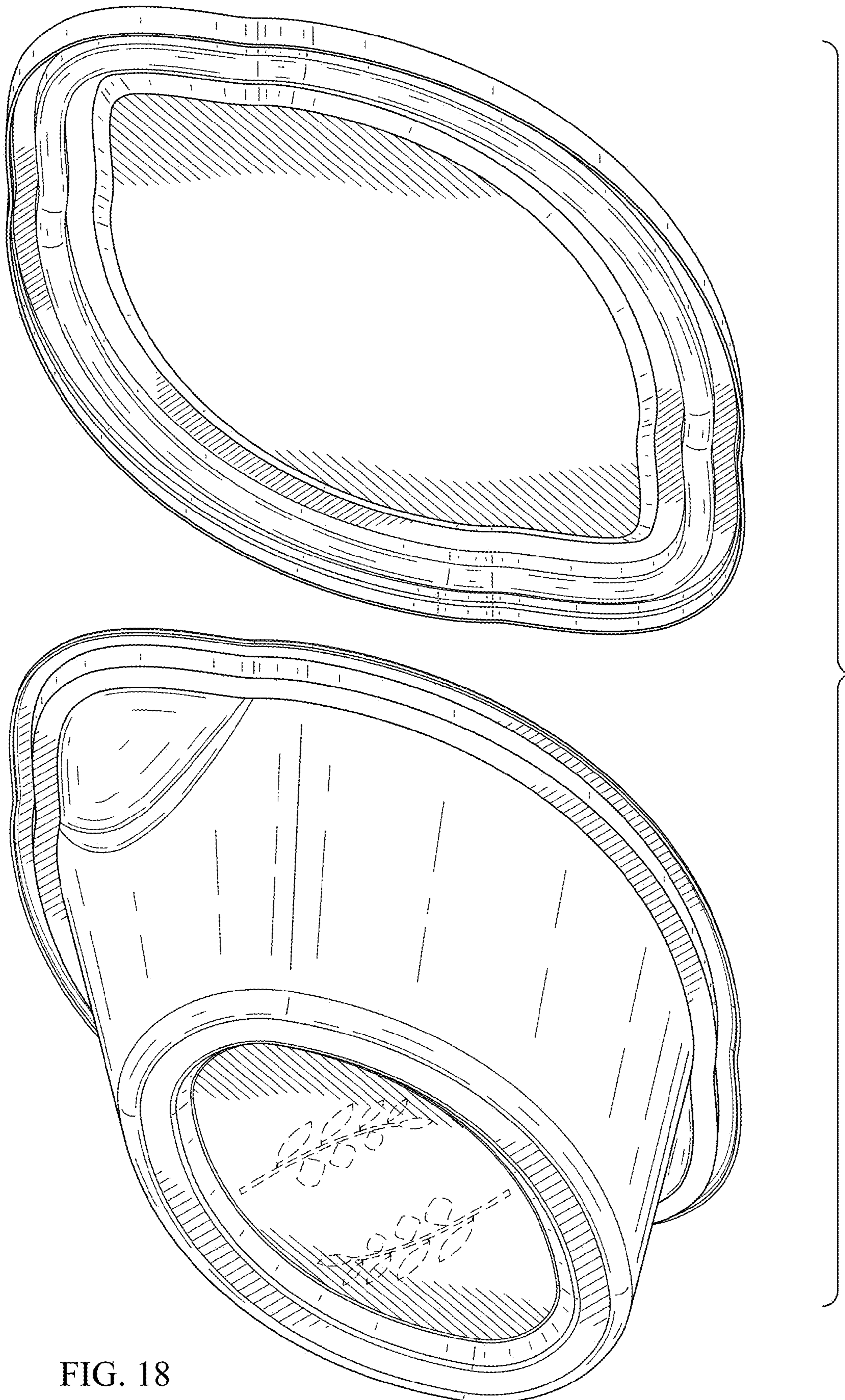


FIG. 18

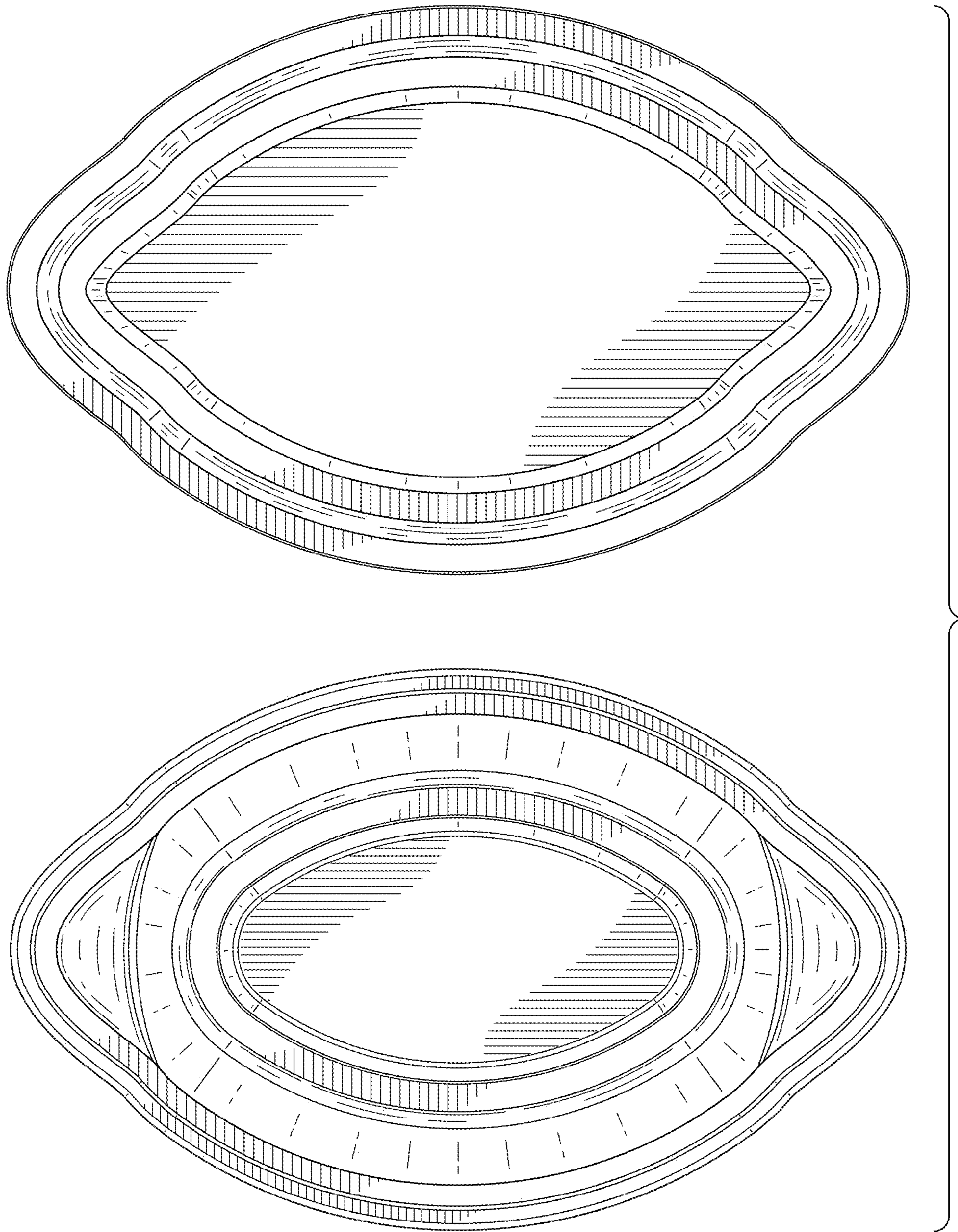


FIG. 19

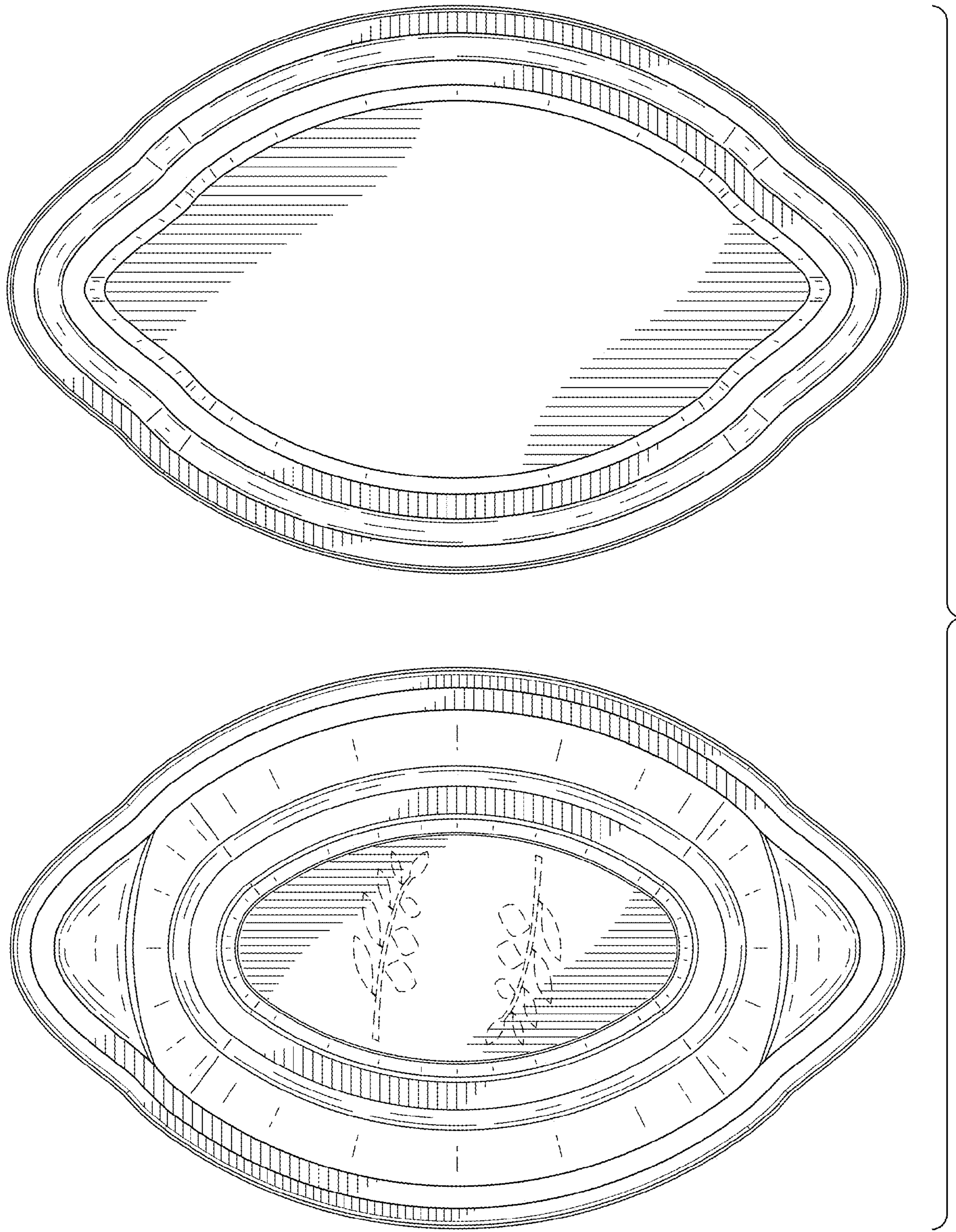


FIG. 20

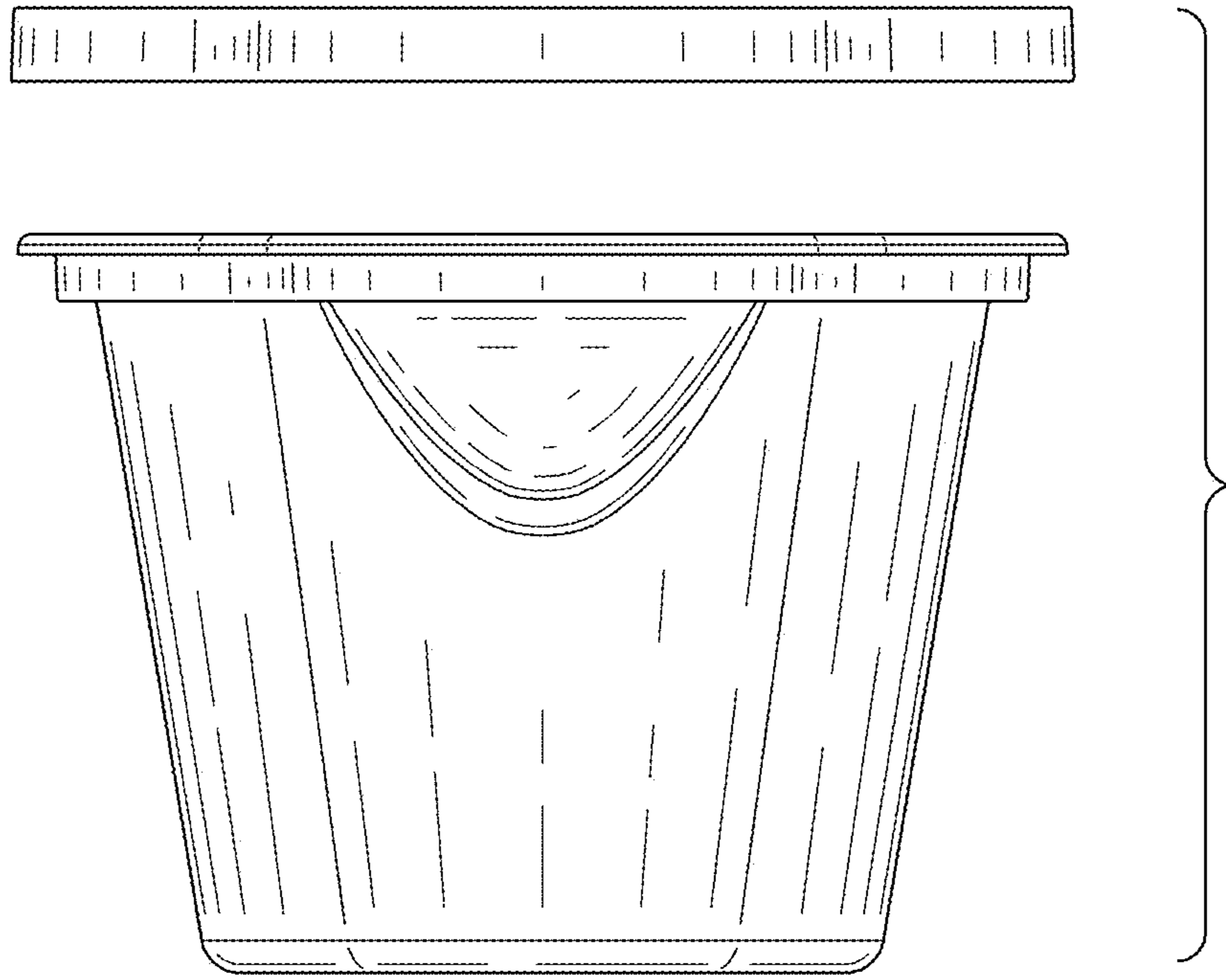


FIG. 21

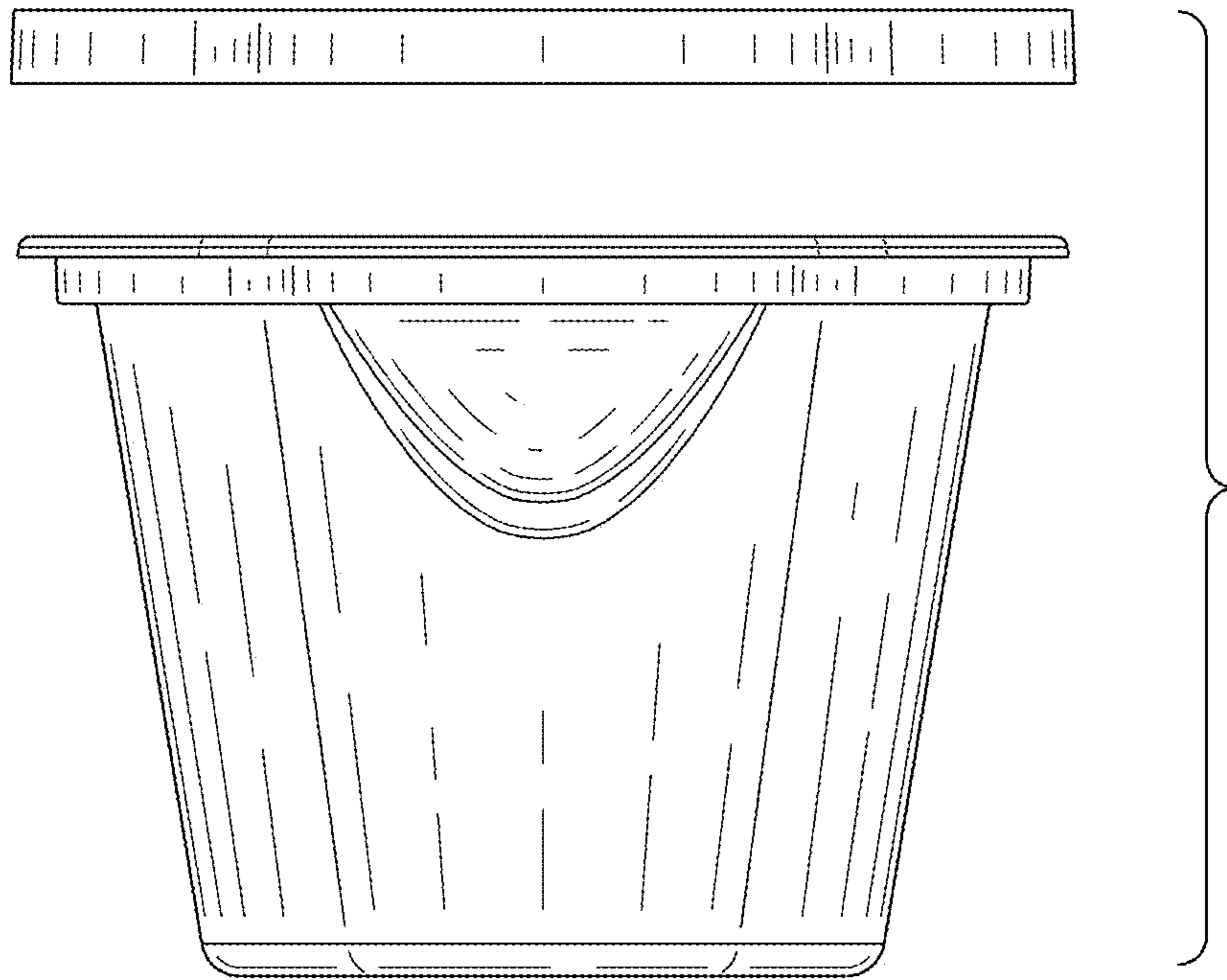


FIG. 22

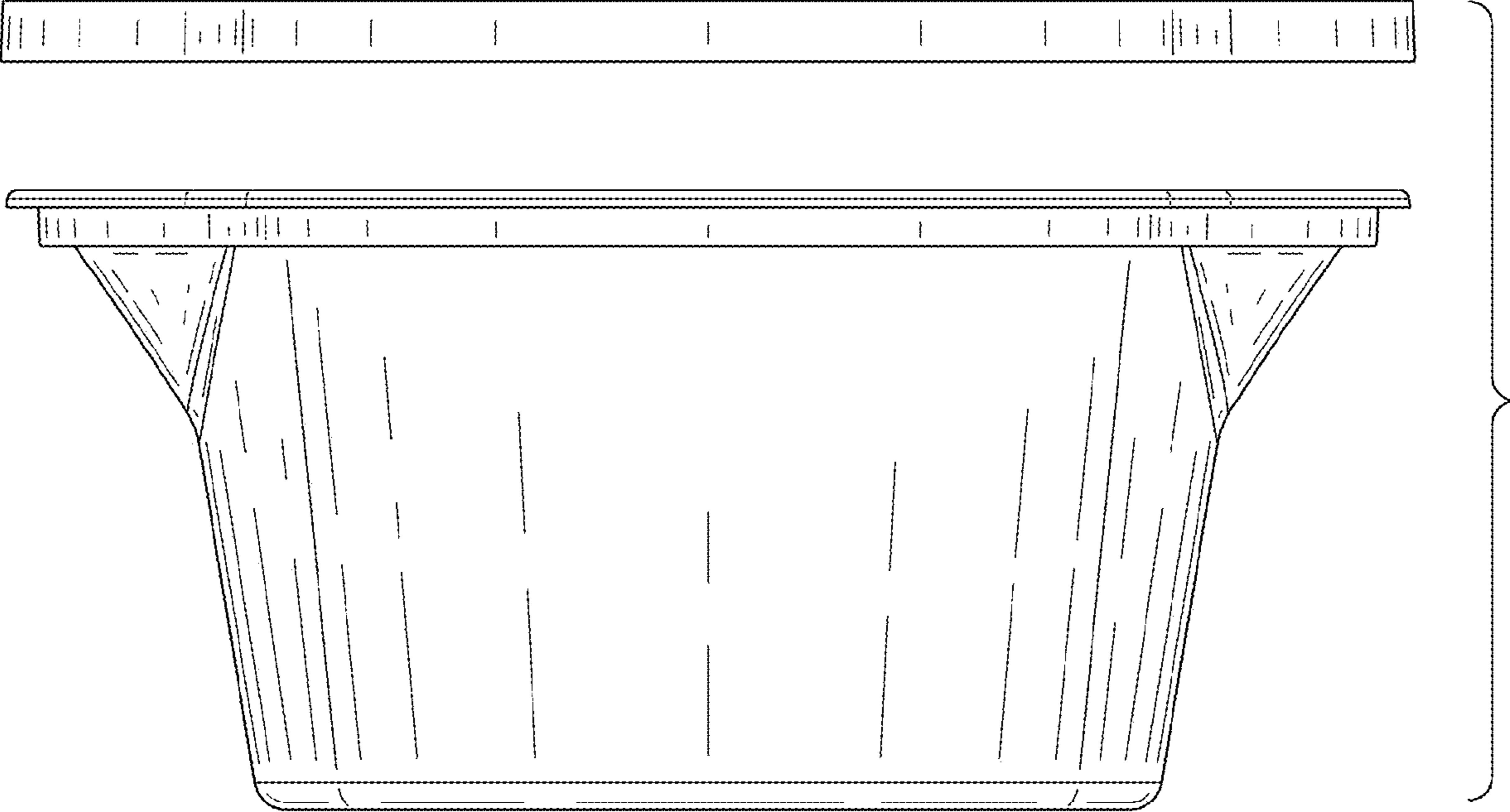


FIG. 23

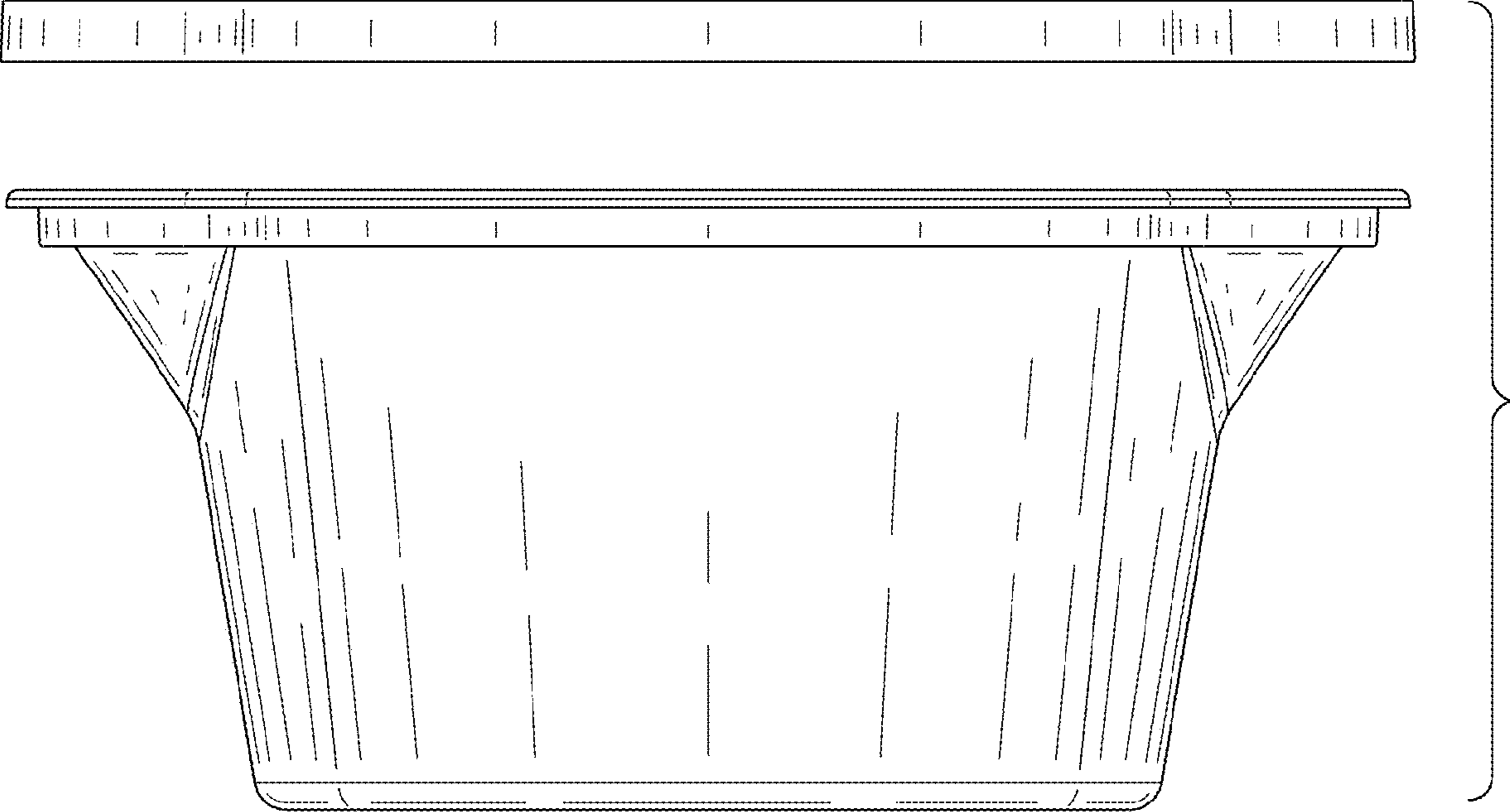


FIG. 24

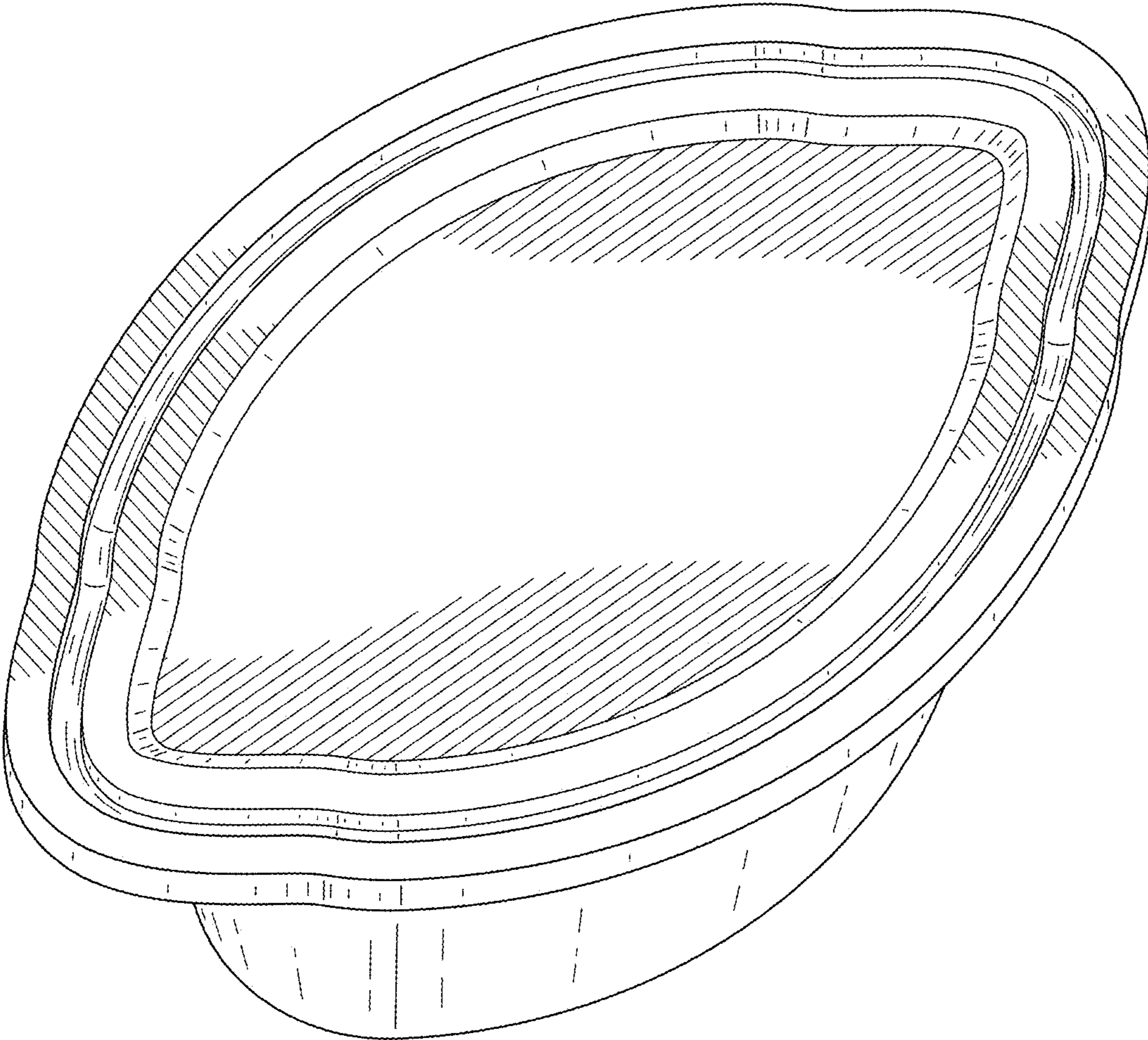


FIG. 25

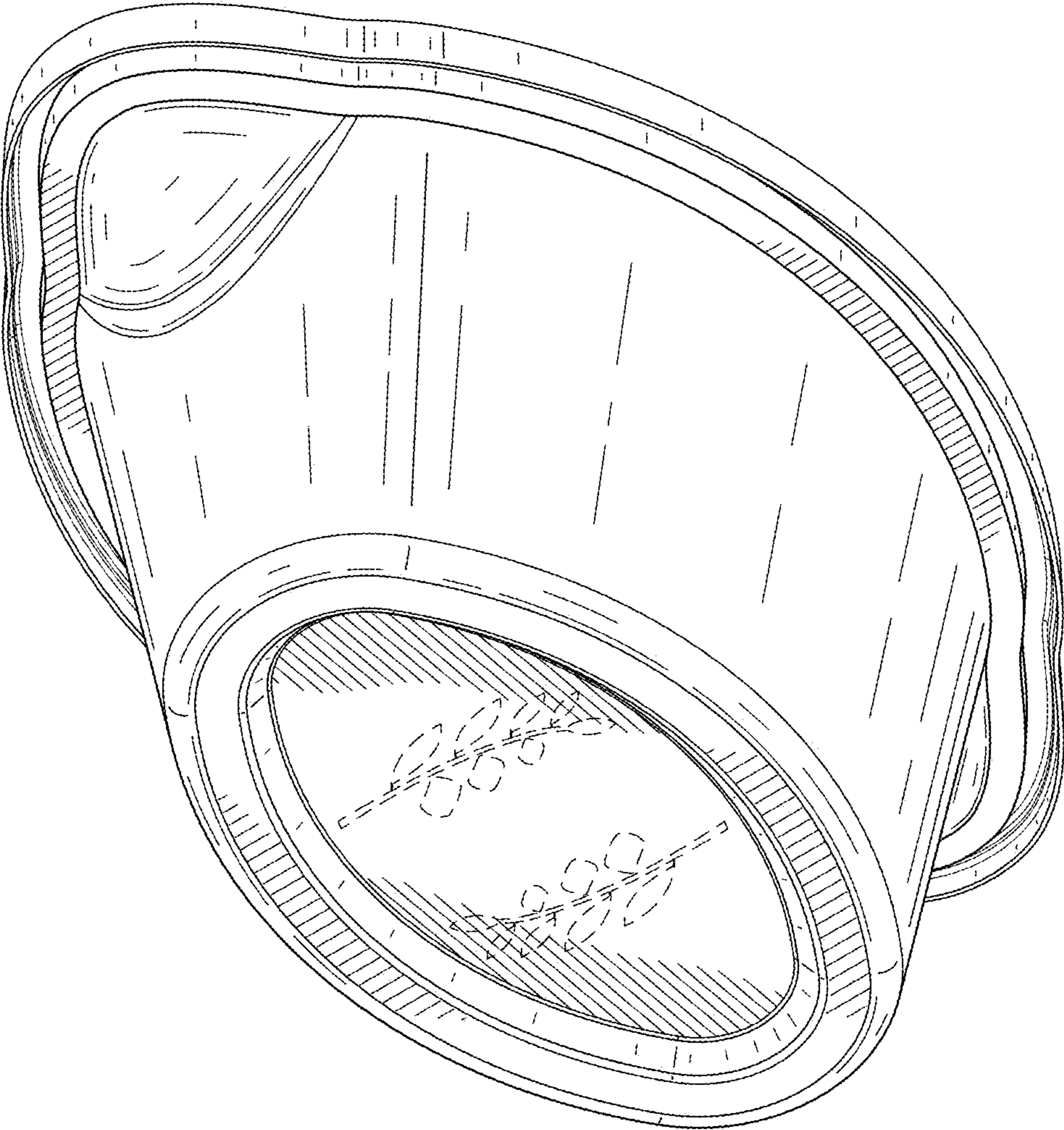


FIG. 26

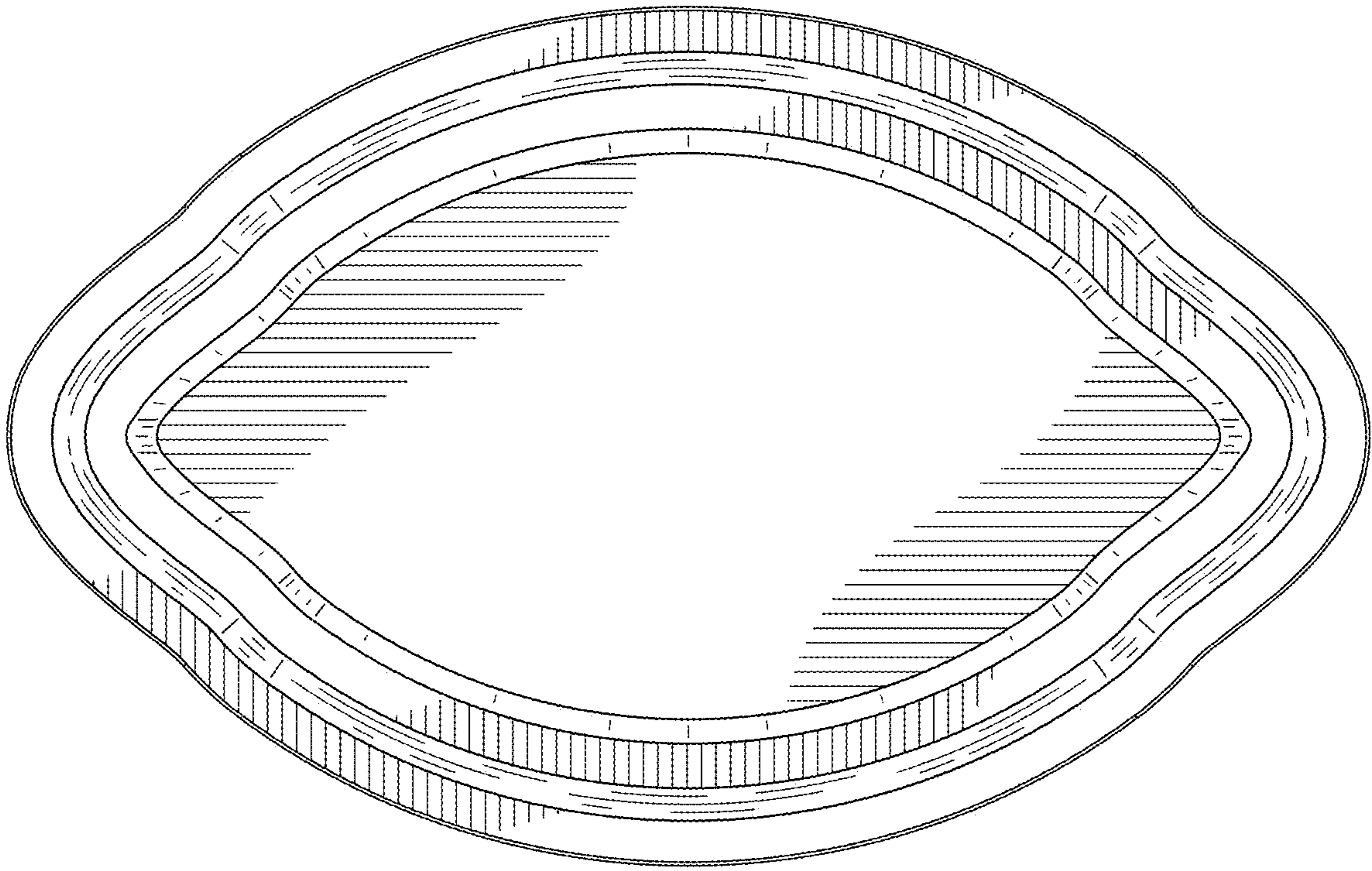


FIG. 27

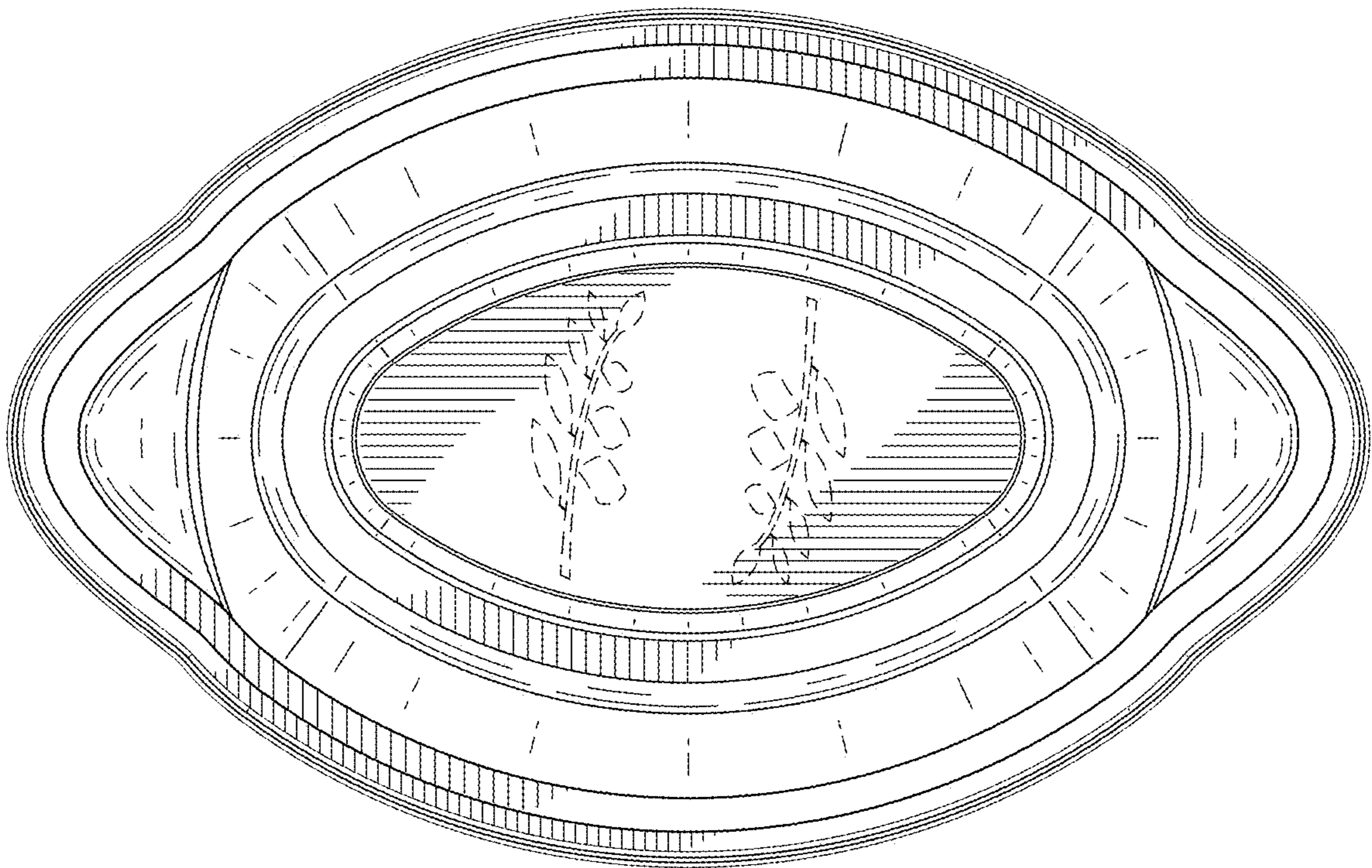


FIG. 28

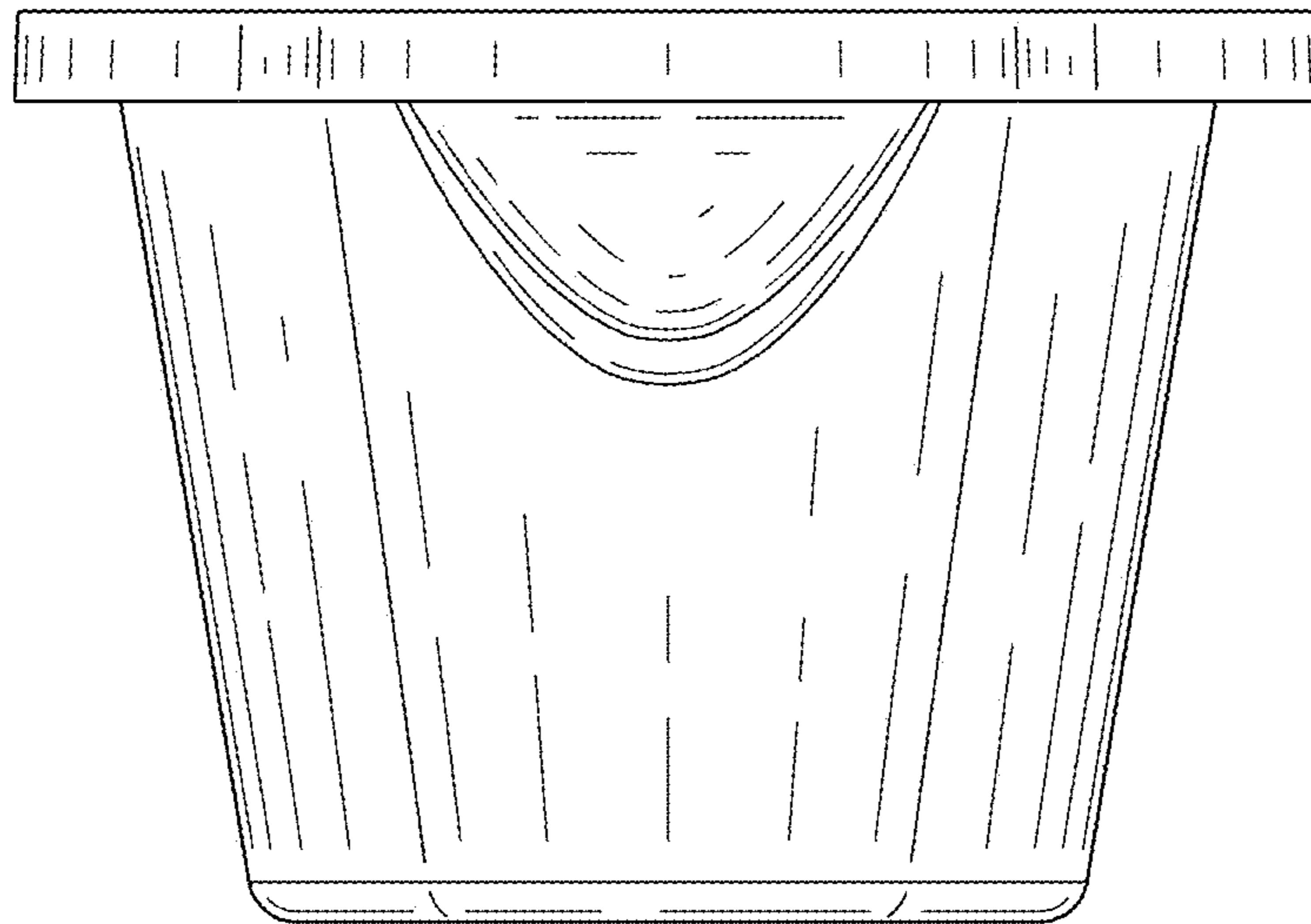


FIG. 29

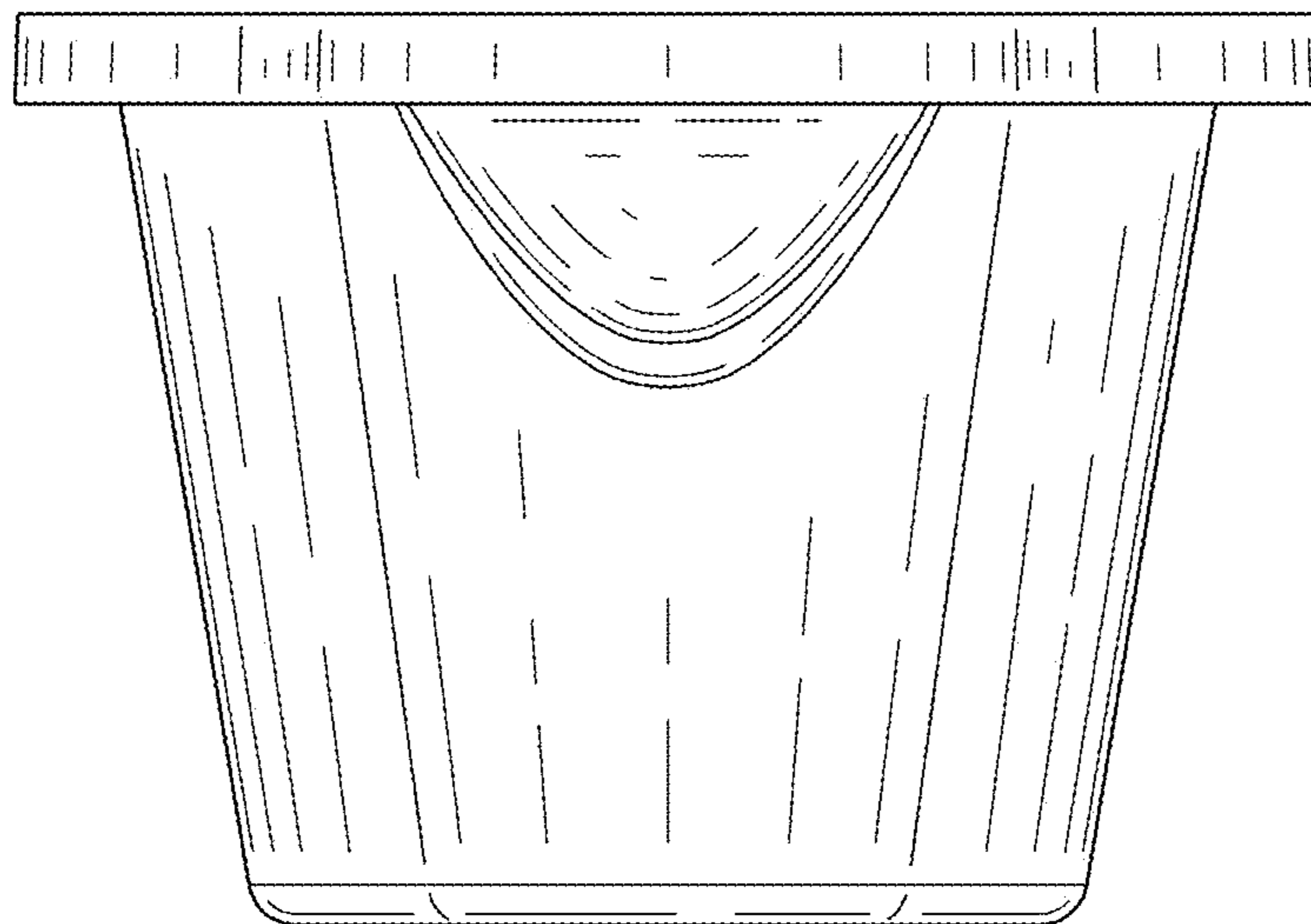


FIG. 30

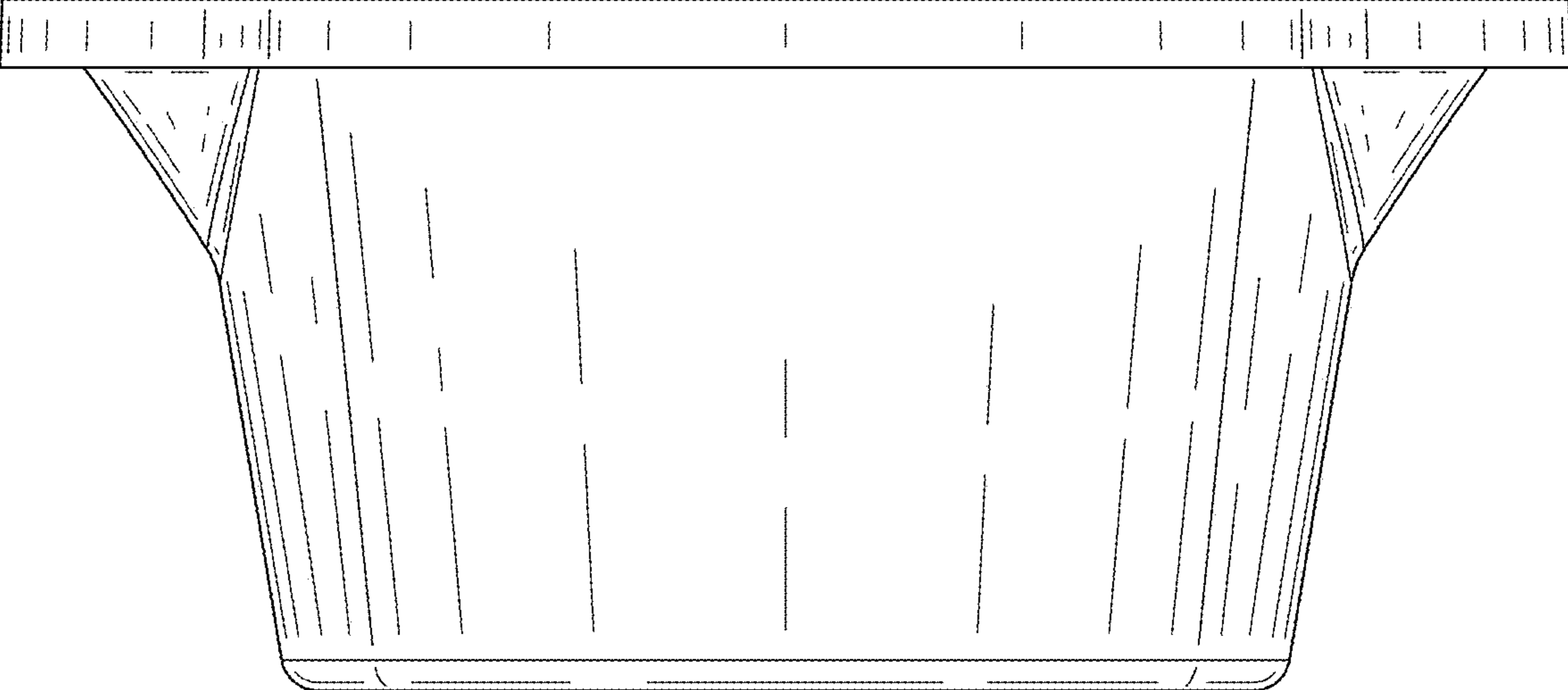


FIG. 31

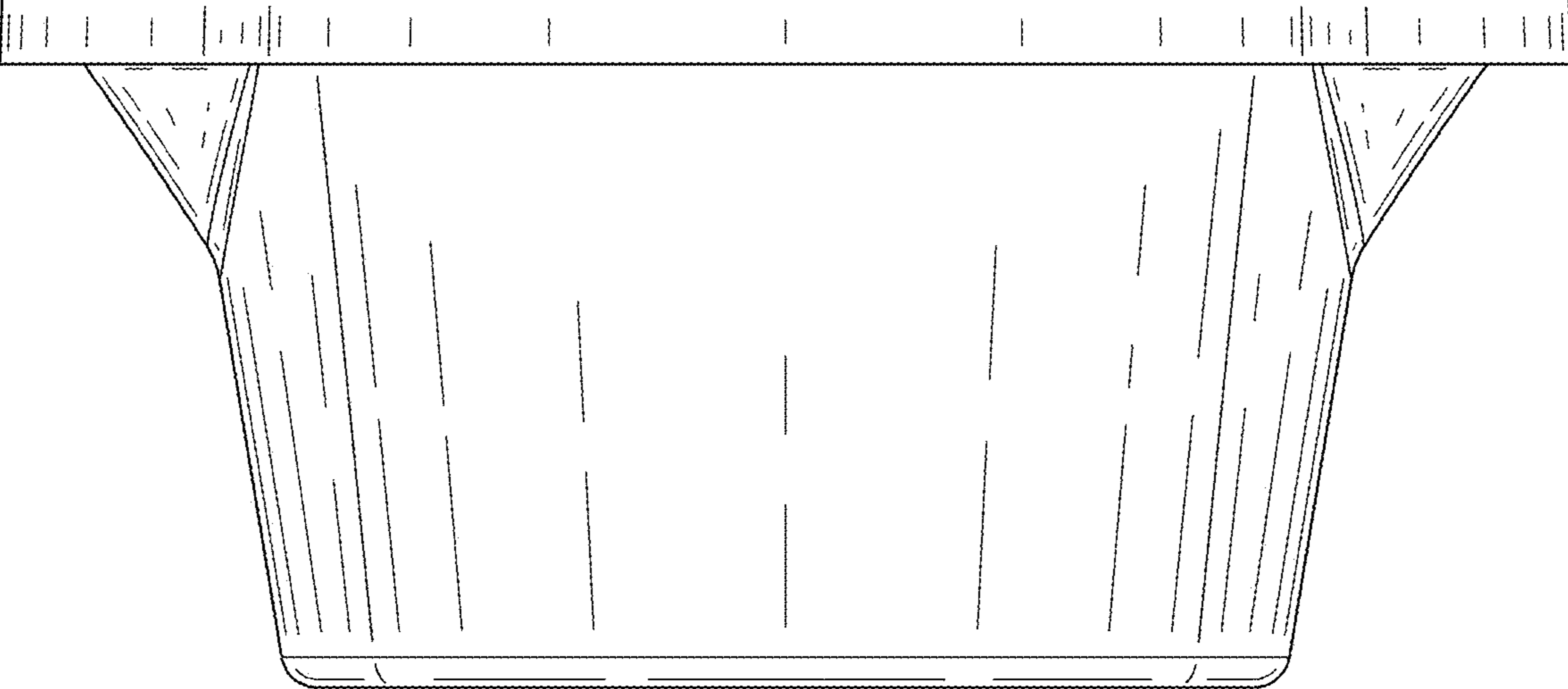


FIG. 32