



US00D977334S

(12) **United States Design Patent** (10) **Patent No.:** **US D977,334 S**
El Hassan et al. (45) **Date of Patent:** **** Feb. 7, 2023**

(54) **PERSONAL HEALTH CARE PACKAGE**

(71) Applicant: **The Procter & Gamble Company**,
Cincinnati, OH (US)

(72) Inventors: **Rabi El Hassan**, Batavia, OH (US);
Gregory Christopher Peischl, Mason,
OH (US)

(73) Assignee: **The Procter & Gamble Company**,
Cincinnati, OH (US)

(**) Term: **15 Years**

(21) Appl. No.: **29/720,359**

(22) Filed: **Jan. 13, 2020**

(51) **LOC (14) Cl.** **09-03**

(52) **U.S. Cl.**
USPC **D9/418; D9/649**

(58) **Field of Classification Search**
USPC D9/418, 415
CPC B65D 5/5016; B65D 5/5026; B65D 5/48048;
B65D 85/52
See application file for complete search history.

(56) **References Cited**

U.S. PATENT DOCUMENTS

2,649,807	A *	8/1953	Ritter	B65D 85/52
					47/84
2,998,909	A *	9/1961	Anderson, Jr.	B65D 5/48048
					229/169
3,989,139	A *	11/1976	Vargo	B65D 5/5026
					206/778
4,155,445	A *	5/1979	Roccaforte	B65D 5/5016
					206/476
D291,065	S *	7/1987	Pugh	D9/418
D332,744	S *	1/1993	McCoey	D9/418
D352,235	S *	11/1994	Strasevicz	D9/418
D446,113	S *	8/2001	Steinfels	D9/418
D699,564	S *	2/2014	Petzl	D9/418
D783,395	S *	4/2017	Wang	D9/418

D809,911	S *	2/2018	Moskovich	D9/415
D816,478	S *	5/2018	Moskovich	D9/415
D866,313	S *	11/2019	Marotti	D9/418
D866,314	S *	11/2019	Marotti	D9/418
D885,883	S *	6/2020	Hagee	D9/418
D907,478	S *	1/2021	Marotti	D9/418
D907,479	S *	1/2021	Marotti	D9/418
D921,480	S *	6/2021	Marotti	D9/418

(Continued)

Primary Examiner — Rhea Shields

(74) *Attorney, Agent, or Firm* — Jason J. Camp; Gregory
S. Darley-Emerson

(57) **CLAIM**

The ornamental design for a personal healthcare package, as
shown and described.

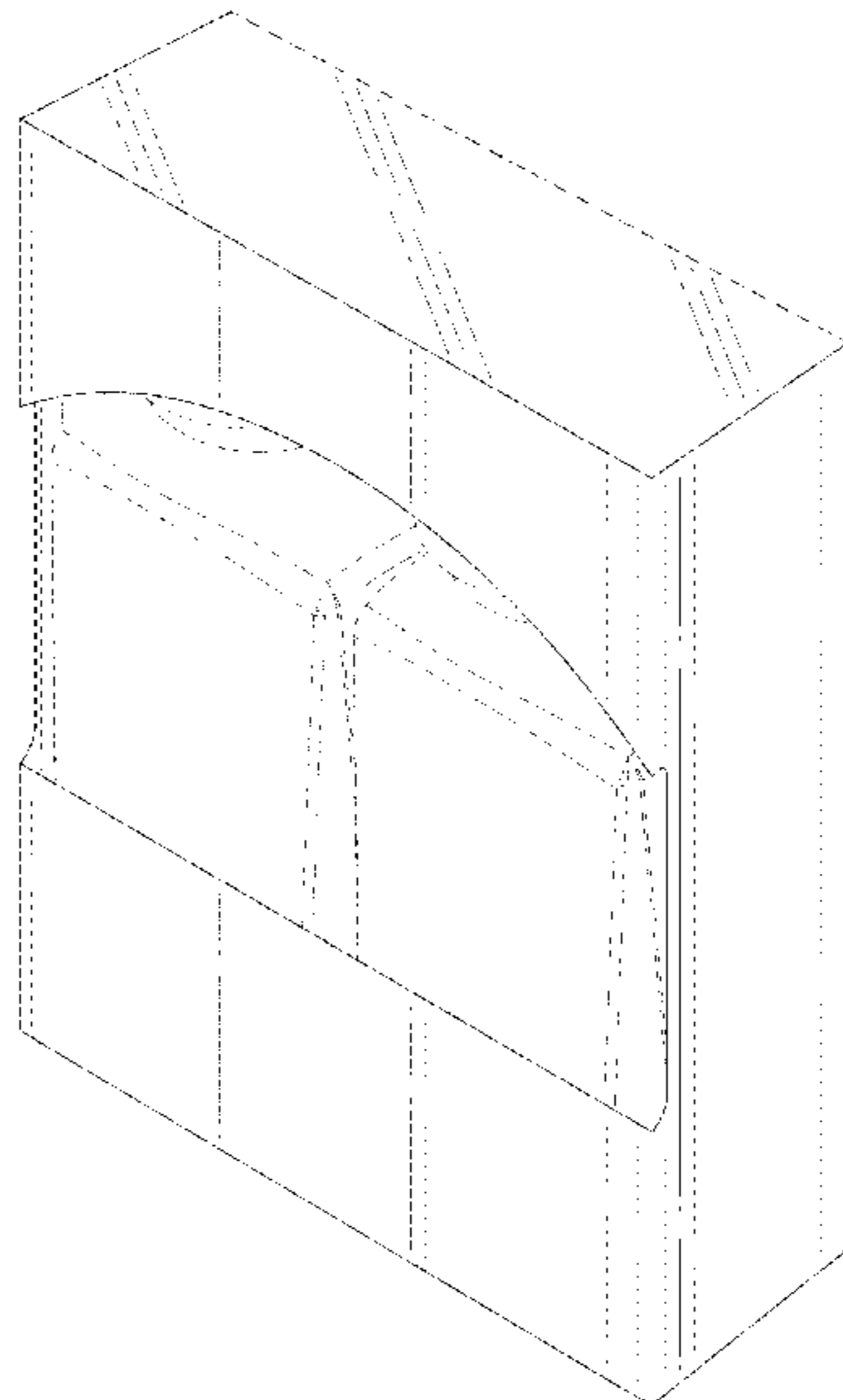
DESCRIPTION

FIG. 1 is a perspective view of a first embodiment of a
personal healthcare package;
FIG. 2 is a front view thereof;
FIG. 3 is a right side view thereof;
FIG. 4 is a rear view thereof;
FIG. 5 is a left side view thereof;
FIG. 6 is a top view thereof;
FIG. 7 is a bottom view thereof;
FIG. 8 is a perspective view of a second embodiment of a
personal healthcare package;
FIG. 9 is a front view thereof;
FIG. 10 is a right side view thereof;
FIG. 11 is a rear view thereof;
FIG. 12 is a left side view thereof;
FIG. 13 is a top view thereof; and,
FIG. 14 is a bottom view thereof.

In the Figures, the broken lines are for illustrative purposes
only and form no part of the claimed design.

In the drawings, the broken lines are for the purpose of
illustrating portions of the personal health care package that
forms no part of the claimed design.

1 Claim, 8 Drawing Sheets



(56)

References Cited

U.S. PATENT DOCUMENTS

D924,049 S * 7/2021 Carr D9/418
D924,050 S * 7/2021 Carr D9/418

* cited by examiner

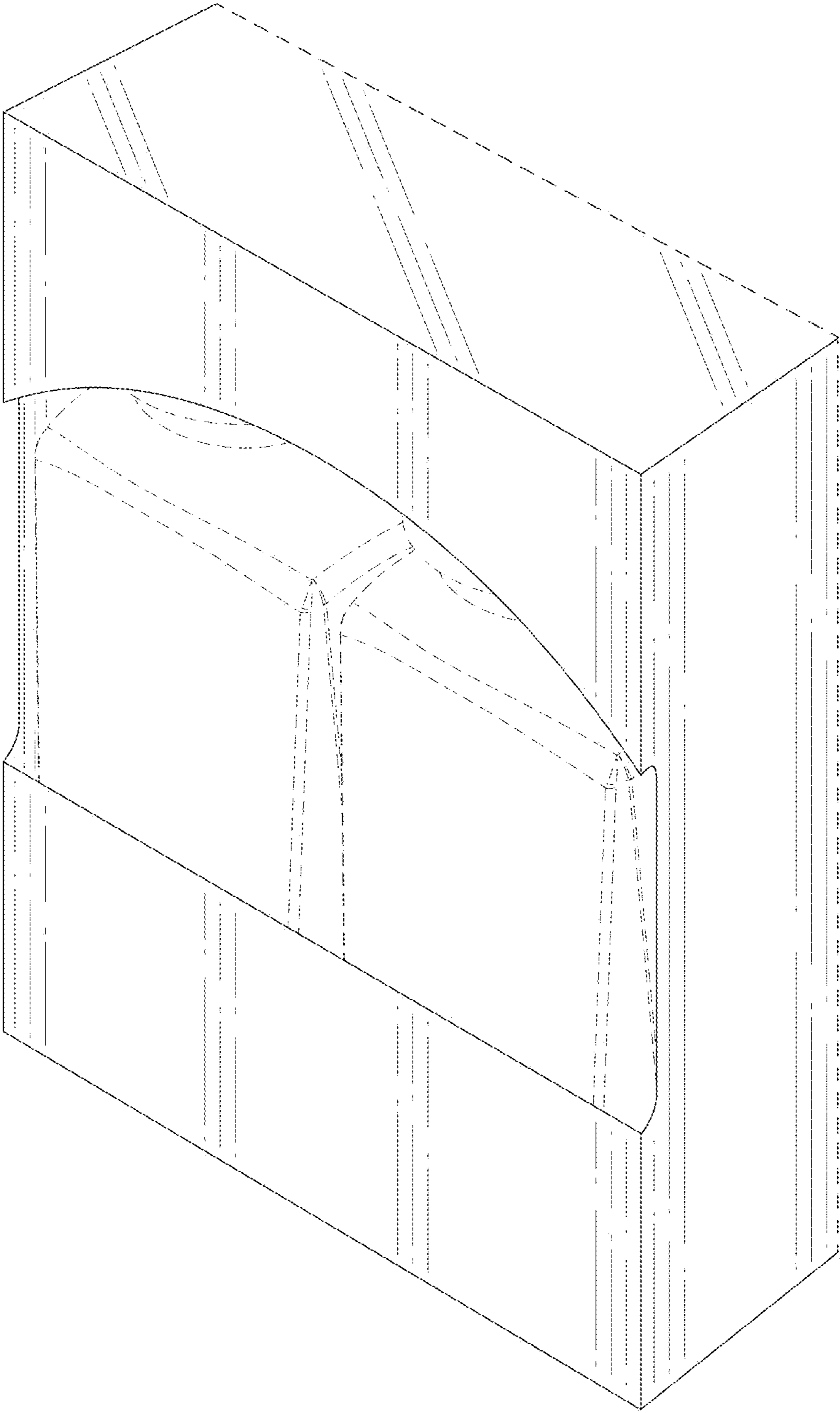


FIG. 1

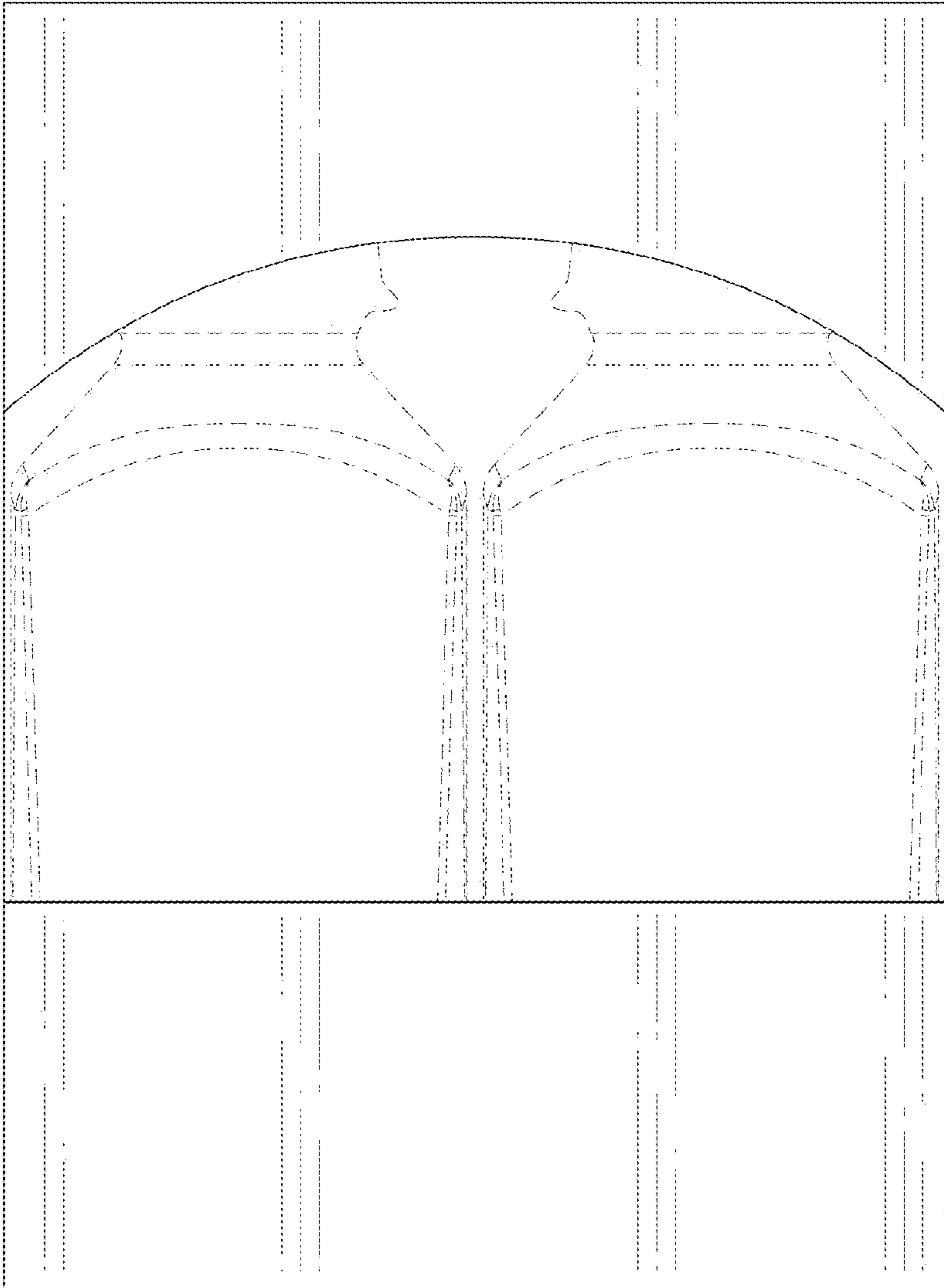


FIG. 2

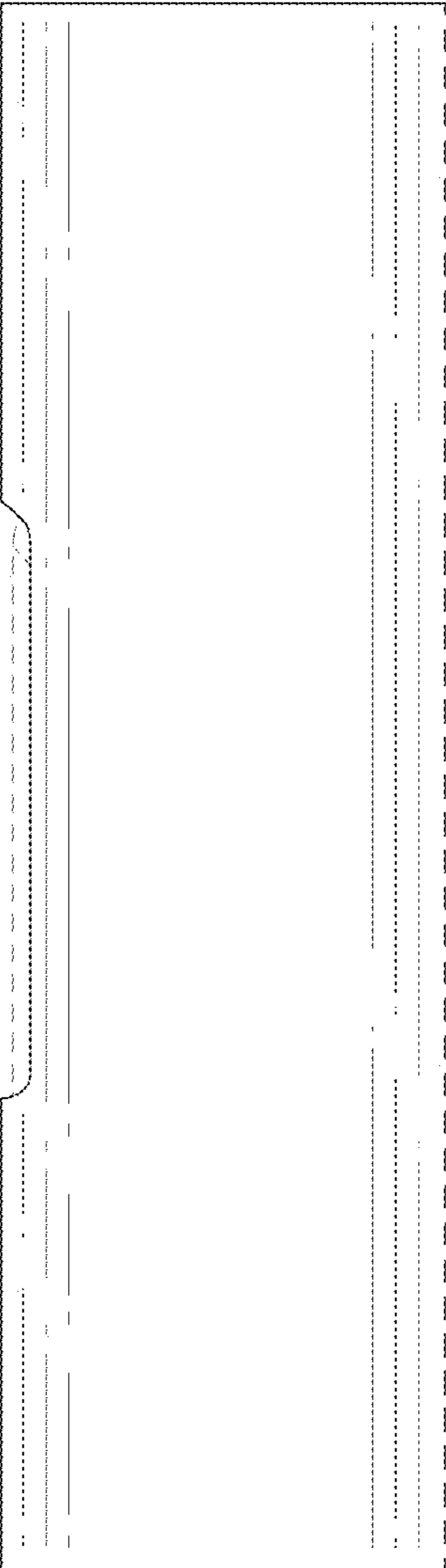


FIG. 3



FIG. 4

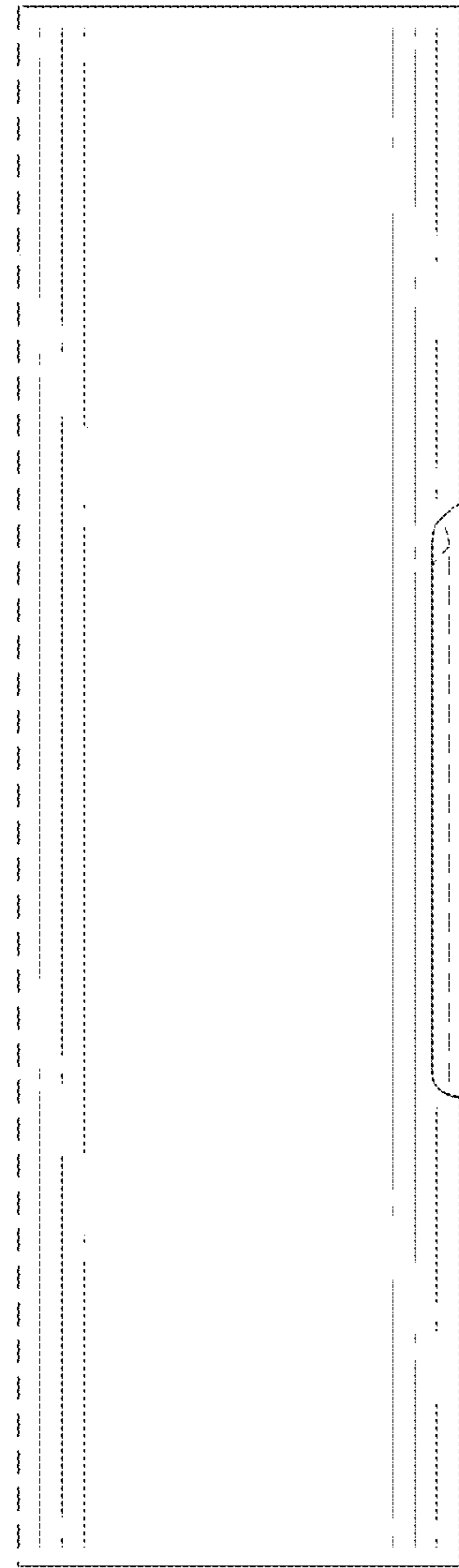


FIG. 5

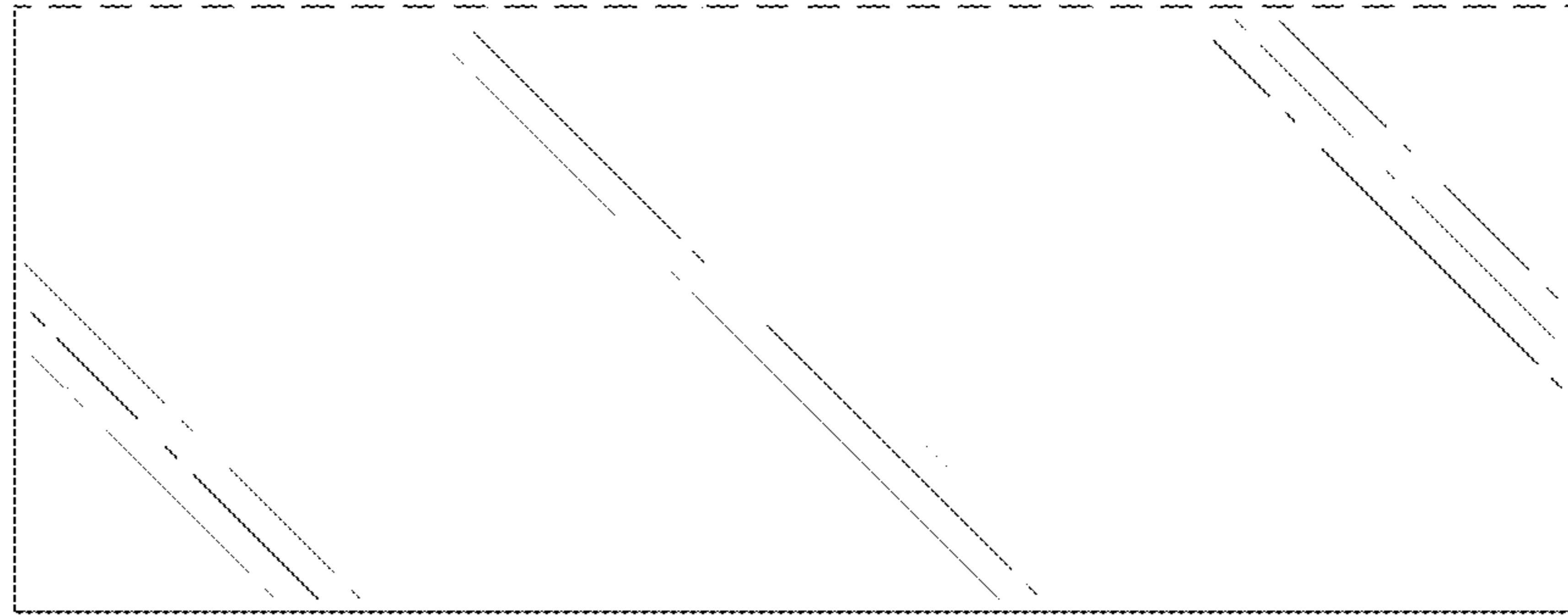


FIG. 6

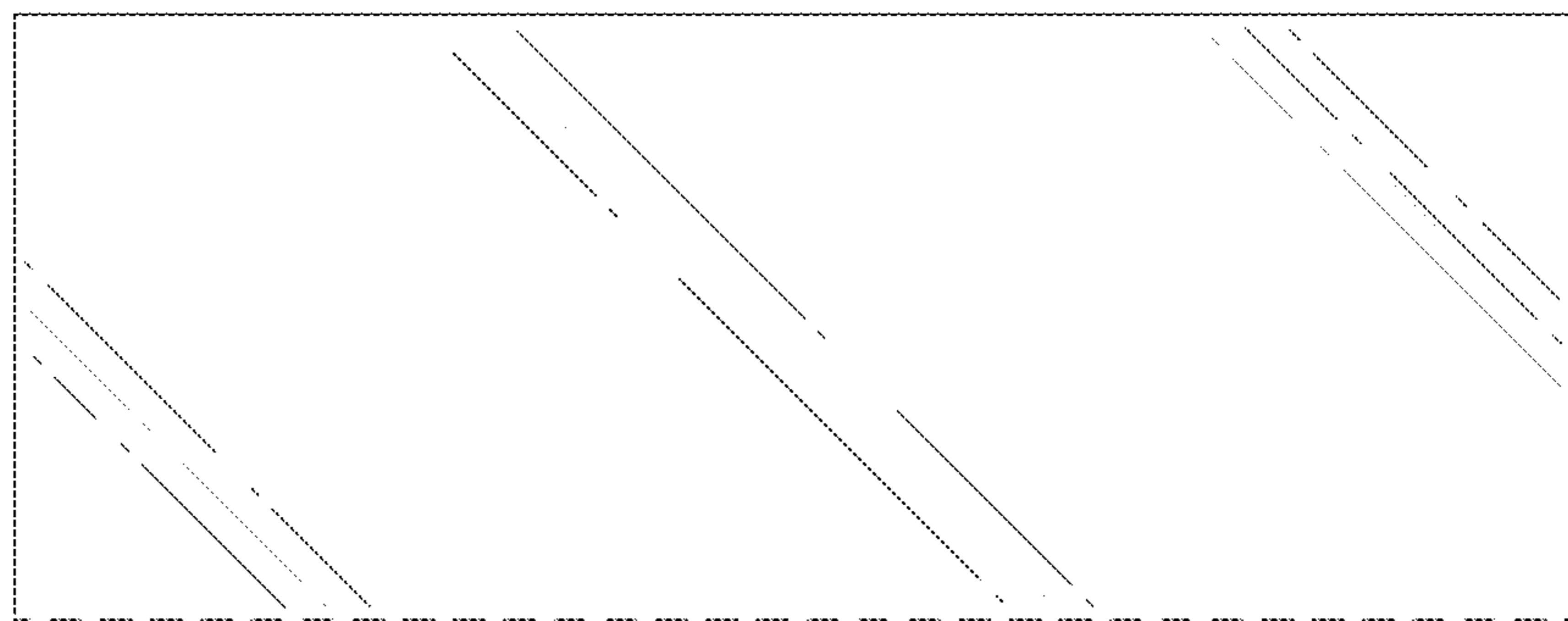


FIG. 7

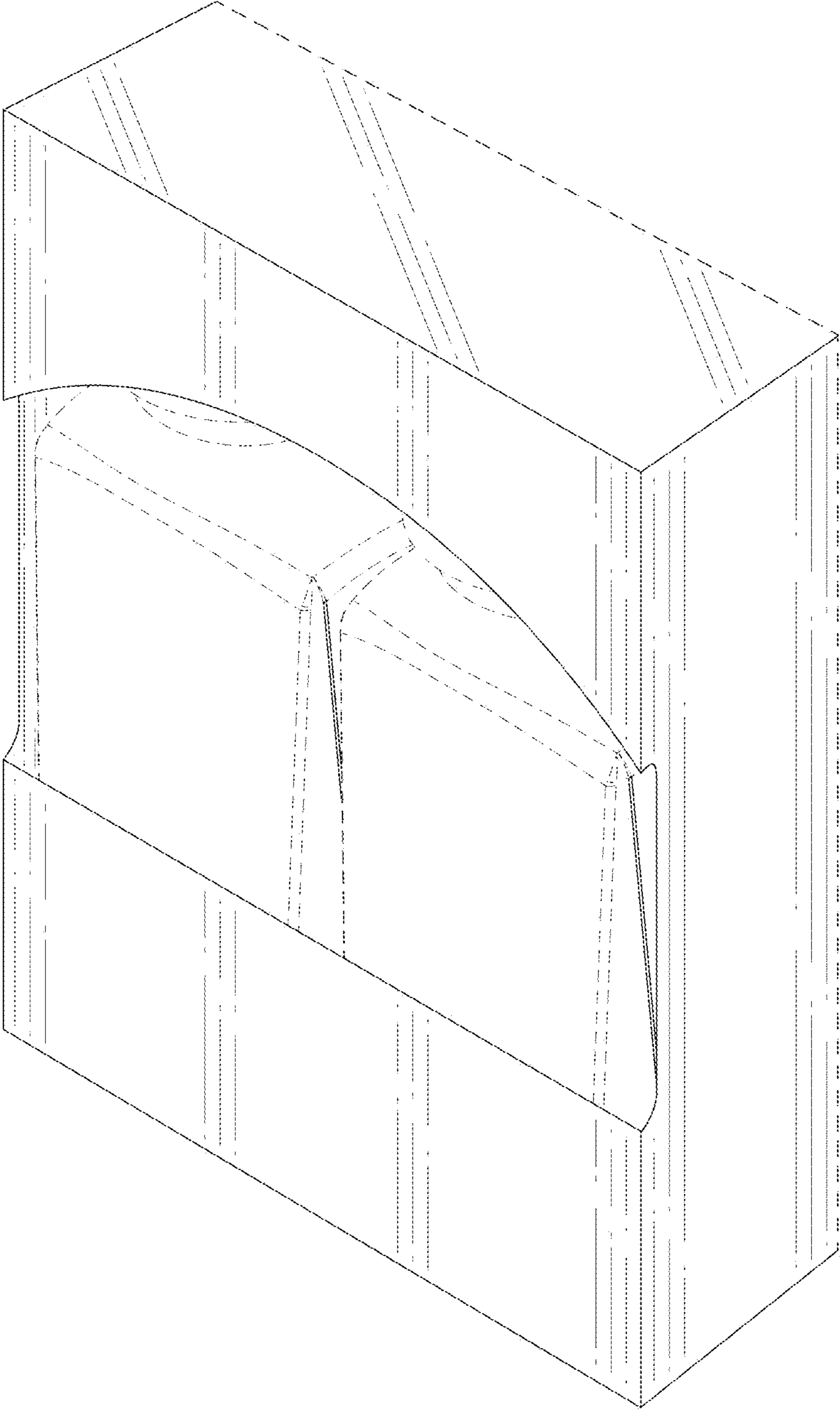


FIG. 8

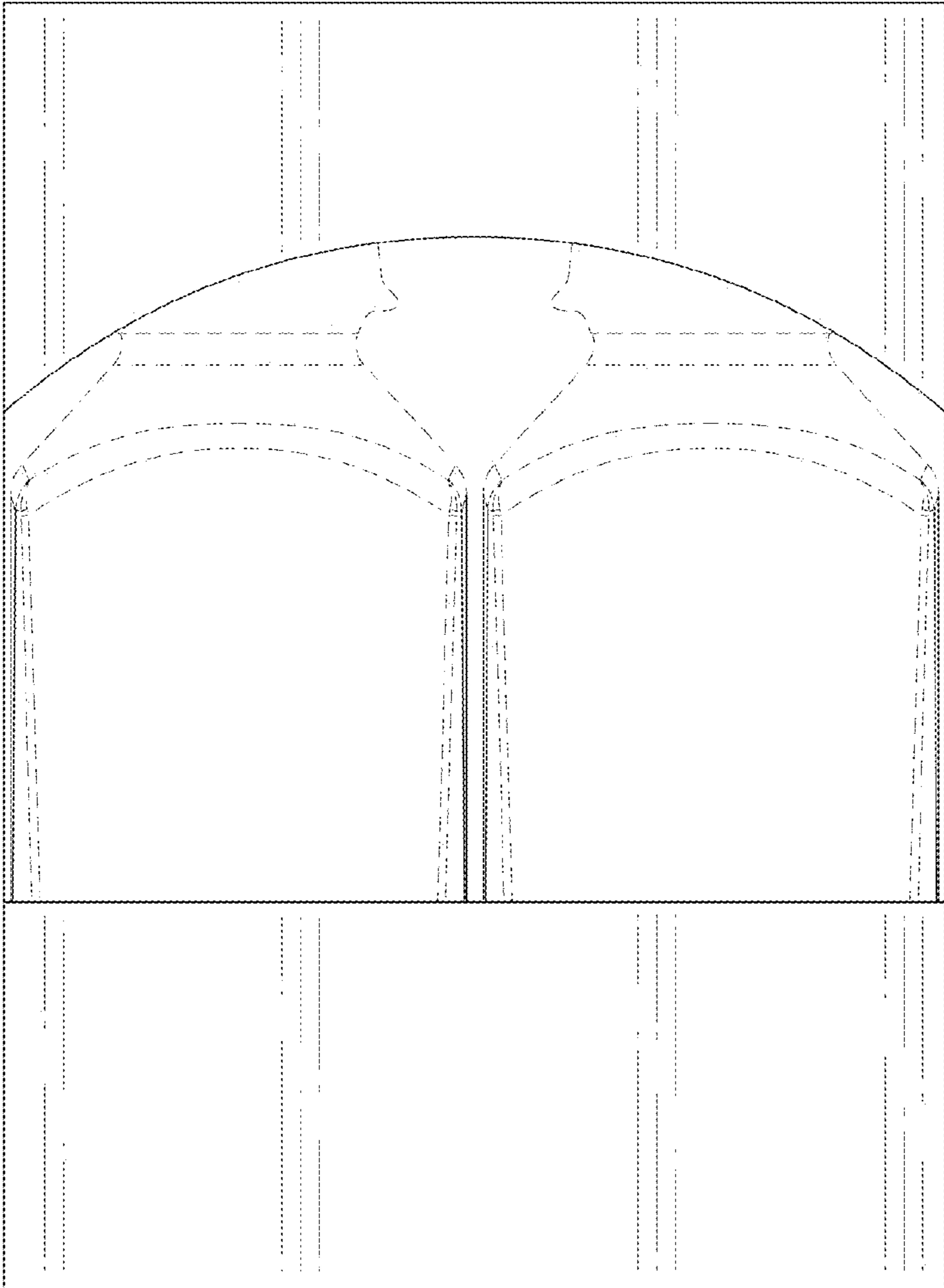


FIG. 9

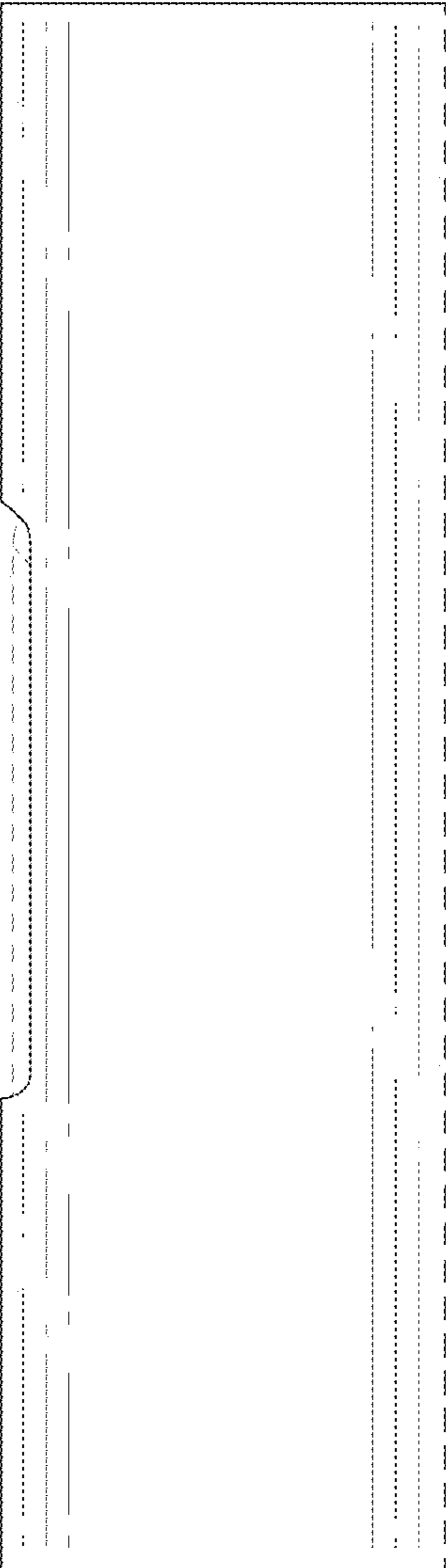


FIG. 10



FIG. 11

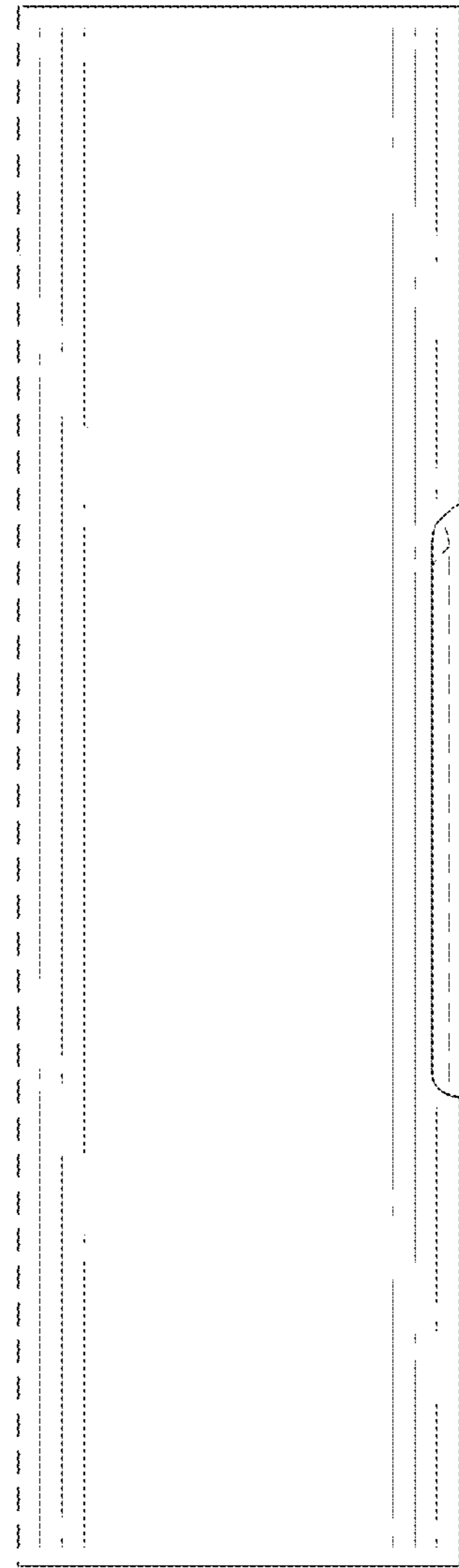


FIG. 12

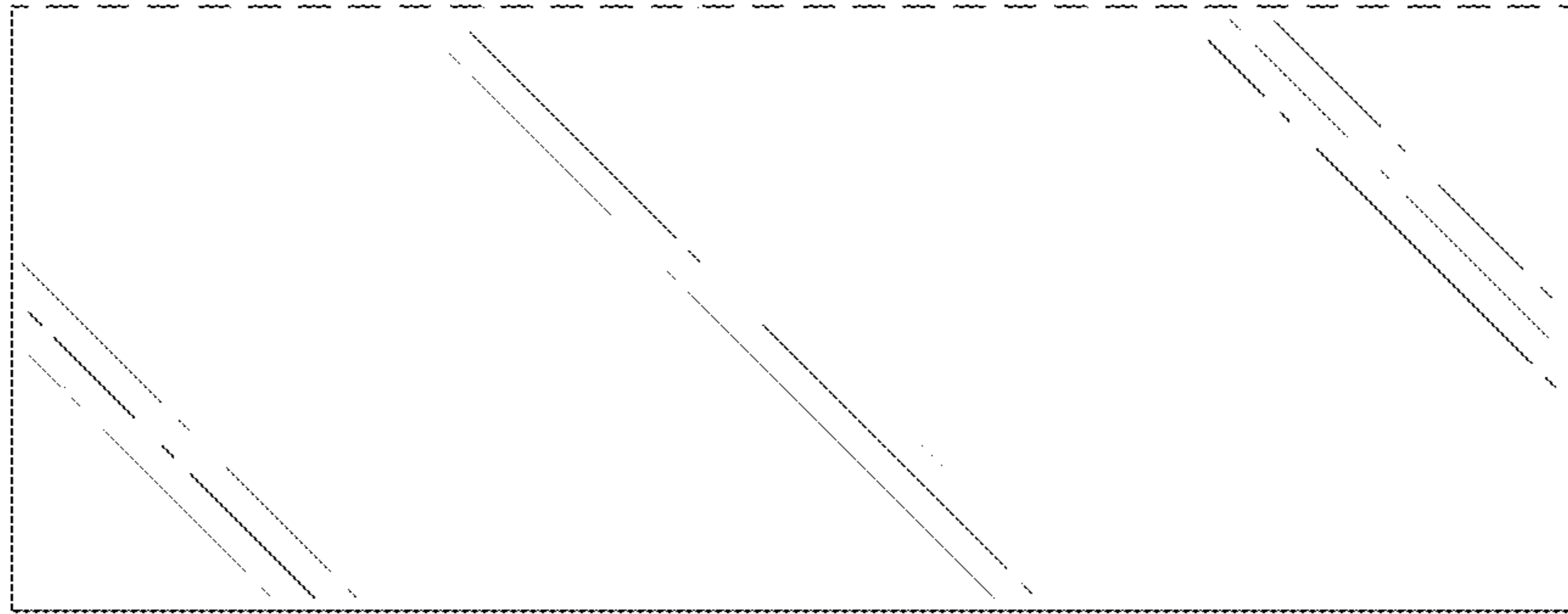


FIG. 13

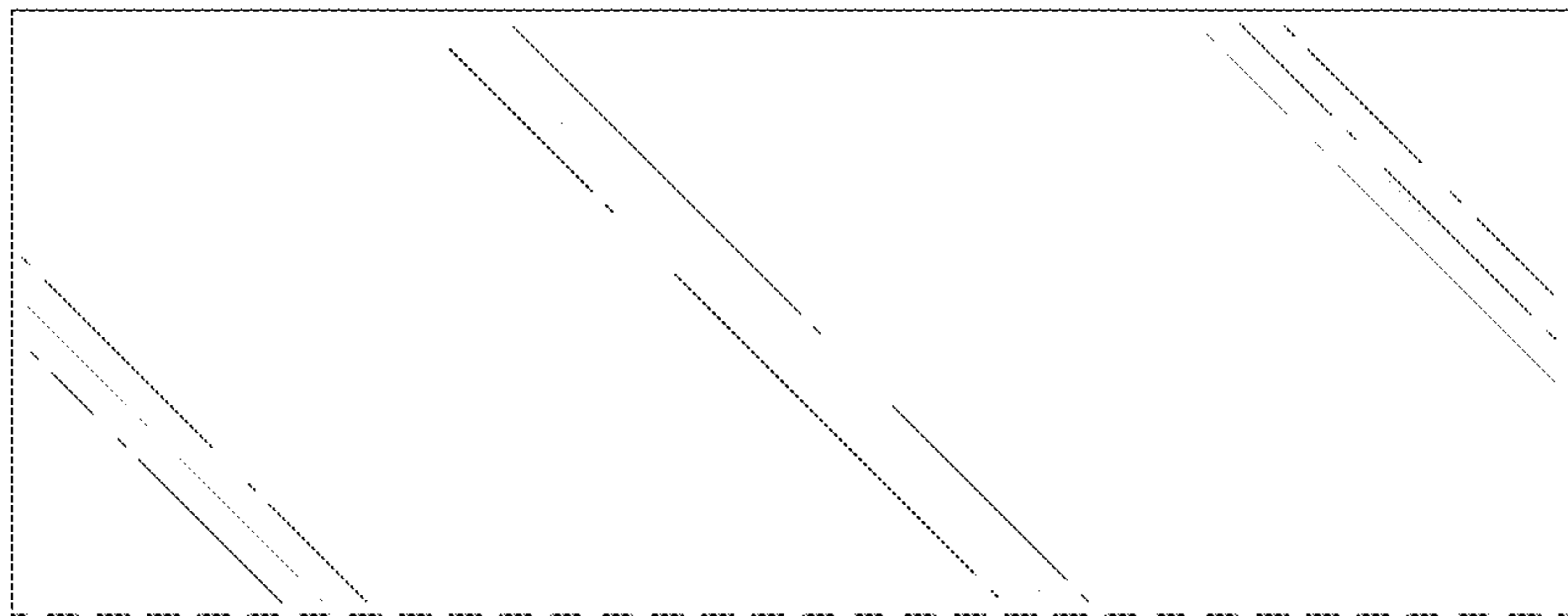


FIG. 14