



US00D977332S

(12) **United States Design Patent**  
**Dai**

(10) **Patent No.:** **US D977,332 S**  
(45) **Date of Patent:** **\*\* Feb. 7, 2023**

- (54) **FIREWOOD RACK**
- (71) Applicant: **SHENZHEN BAIYAN HOLDING CO., LTD.**, Shenzhen (CN)
- (72) Inventor: **Liuxiang Dai**, Shenzhen (CN)
- (73) Assignee: **SHENZHEN BAIYAN HOLDING CO., LTD.**, Shenzhen (CN)
- (\*\*) Term: **15 Years**
- (21) Appl. No.: **29/804,879**
- (22) Filed: **Aug. 23, 2021**
- (51) **LOC (14) Cl.** ..... **08-05**
- (52) **U.S. Cl.**  
USPC ..... **D8/380; D8/382**
- (58) **Field of Classification Search**  
USPC ..... D8/380-382; D23/410  
CPC ..... A47B 45/00; F24B 15/00  
See application file for complete search history.

- D775,512 S \* 1/2017 White ..... D8/354
- D860,769 S \* 9/2019 Wokutch ..... D8/380
- D922,560 S 6/2021 Sun
- D953,853 S \* 6/2022 Karlsson ..... D8/382

**OTHER PUBLICATIONS**

“Mofeez Outdoor Firewood Log Storage Rack Bracket”, Nov. 25, 2018, Amazon.com, site visited Aug. 22, 2022: <https://www.amazon.com/Mofeez-Outdoor-Firewood-Fireplace-Holder-Adjustable/dp/B07KVT1NHD> (Year: 2018).\*

“Mr Ironstone Firewood Log Storage Rack Bracket”, Jul. 23, 2021, Amazon.com, site visited Aug. 22, 2022: <https://www.amazon.com/Mr-IRONSTONE-Firewood-Adjustable-Accessories/dp/B09B3FSMDT> (Year: 2021).\*

\* cited by examiner

*Primary Examiner* — Jack Reickel  
*Assistant Examiner* — Michael A Kervin  
 (74) *Attorney, Agent, or Firm* — True Shepherd, LLC;  
 Andrew Cheng

(56) **References Cited**

**U.S. PATENT DOCUMENTS**

- 4,449,842 A \* 5/1984 Reichman, Jr. .... B27B 17/0041  
403/217
- D285,773 S \* 9/1986 Cappel ..... D8/380
- 4,616,757 A \* 10/1986 Hobson ..... B27B 17/0041  
248/300
- D290,223 S \* 6/1987 Westerheim ..... D8/380
- 4,685,576 A \* 8/1987 Hobson ..... F16B 12/46  
403/217
- D321,051 S \* 10/1991 Nagy ..... D23/410
- 5,651,467 A \* 7/1997 Moran, III ..... F24B 15/00  
211/49.1
- D389,154 S \* 1/1998 Williamson ..... D8/349
- 5,743,413 A \* 4/1998 Noll ..... F24B 15/00  
211/175
- D416,424 S \* 11/1999 Hecht ..... D8/380
- D564,868 S \* 3/2008 Terada ..... D8/382
- D642,671 S 8/2011 Alexander
- 9,044,090 B2 \* 6/2015 Drake ..... A47B 96/061

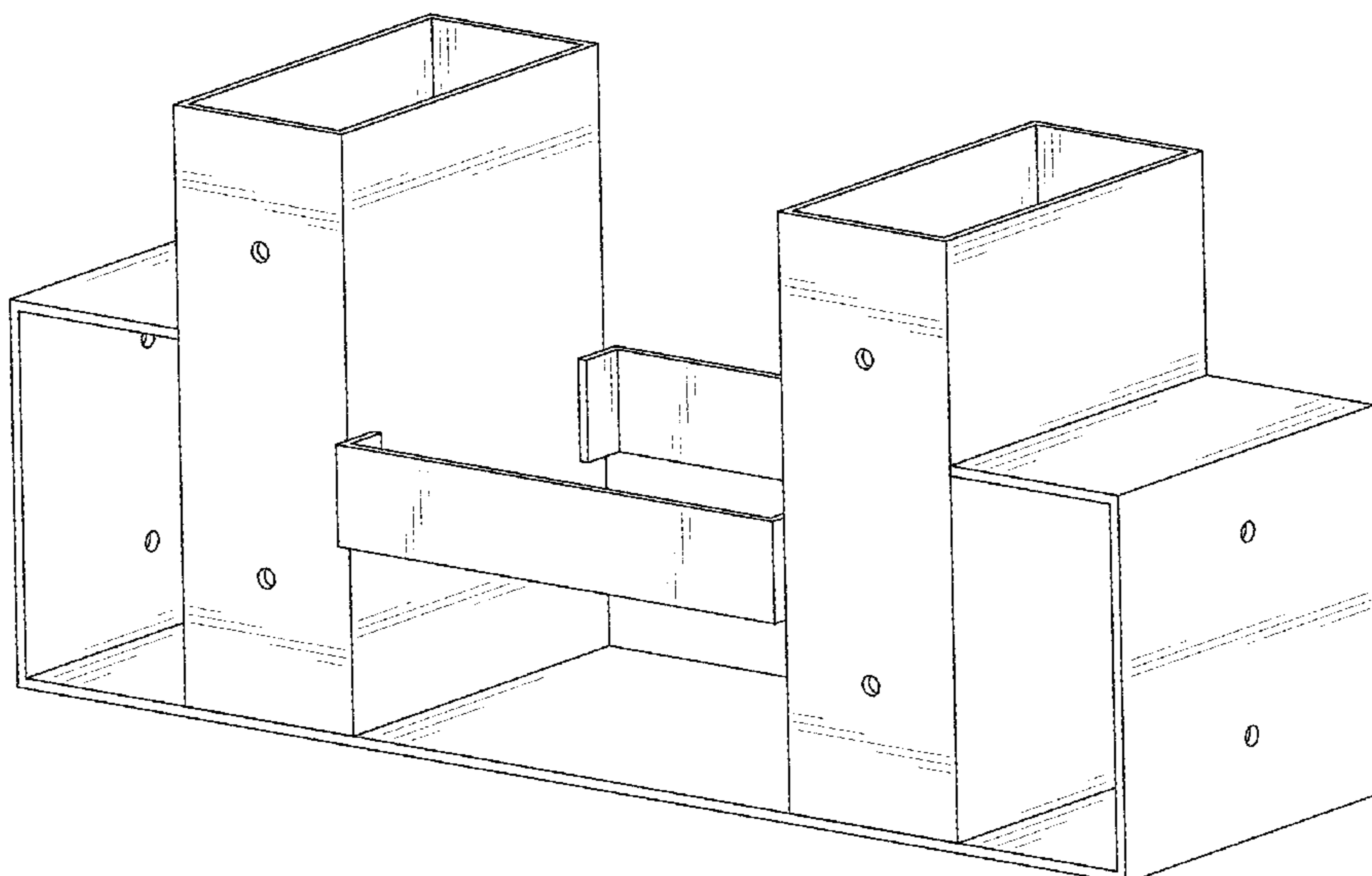
(57) **CLAIM**

The ornamental design for a firewood rack, as shown and described.

**DESCRIPTION**

FIG. 1 is a front, right, and top perspective view of a firewood rack, showing my design.  
 FIG. 2 is a front elevation view thereof.  
 FIG. 3 is a rear elevation view thereof.  
 FIG. 4 is a left side elevation view thereof.  
 FIG. 5 is a right side elevation view thereof.  
 FIG. 6 is a top plan view thereof.  
 FIG. 7 is a bottom plan view thereof; and,  
 FIG. 8 is a cross-sectional view of the firewood rack of FIG. 1, taken along section line 8-8 as depicted in FIG. 6.

**1 Claim, 8 Drawing Sheets**



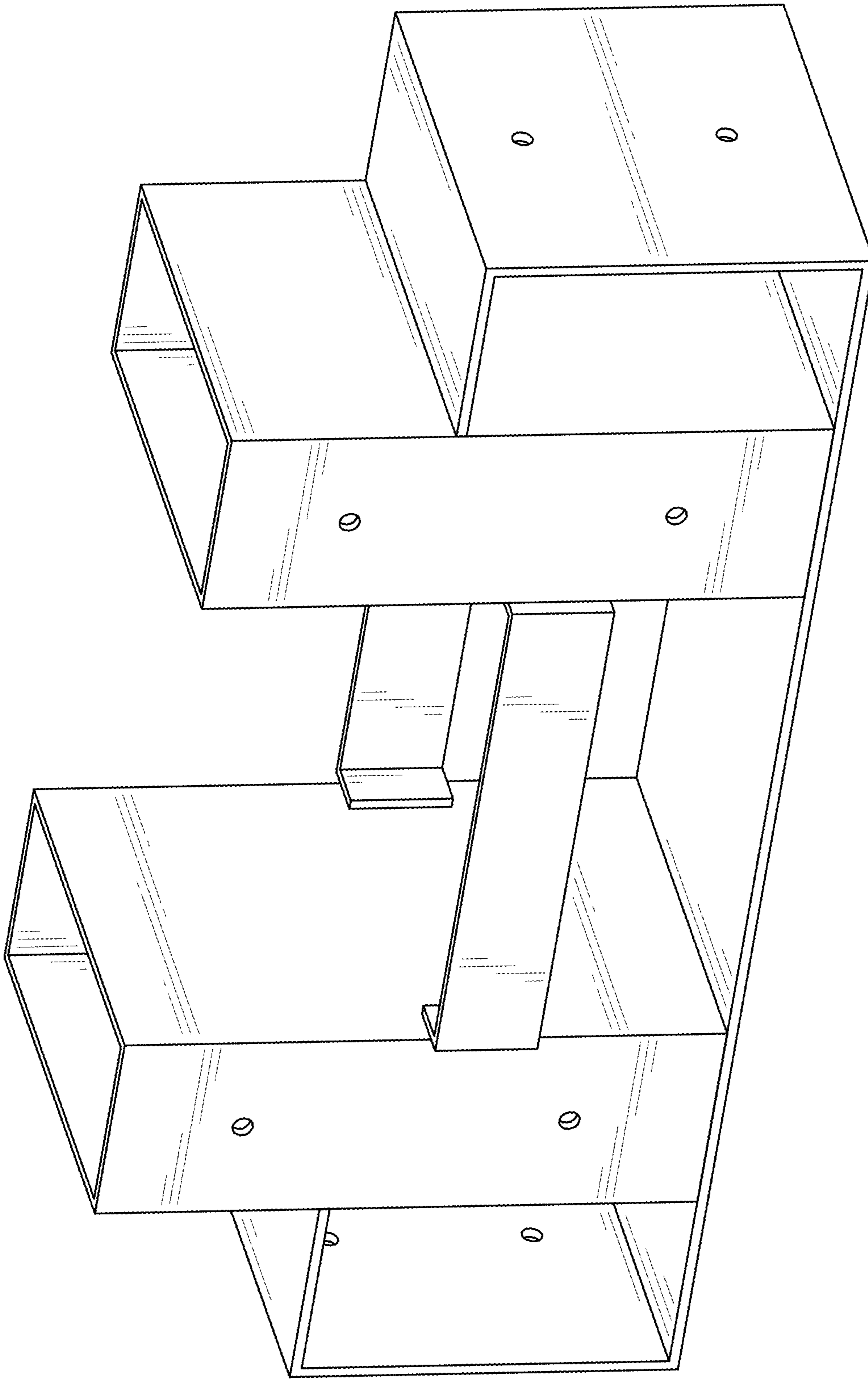


FIG. 1

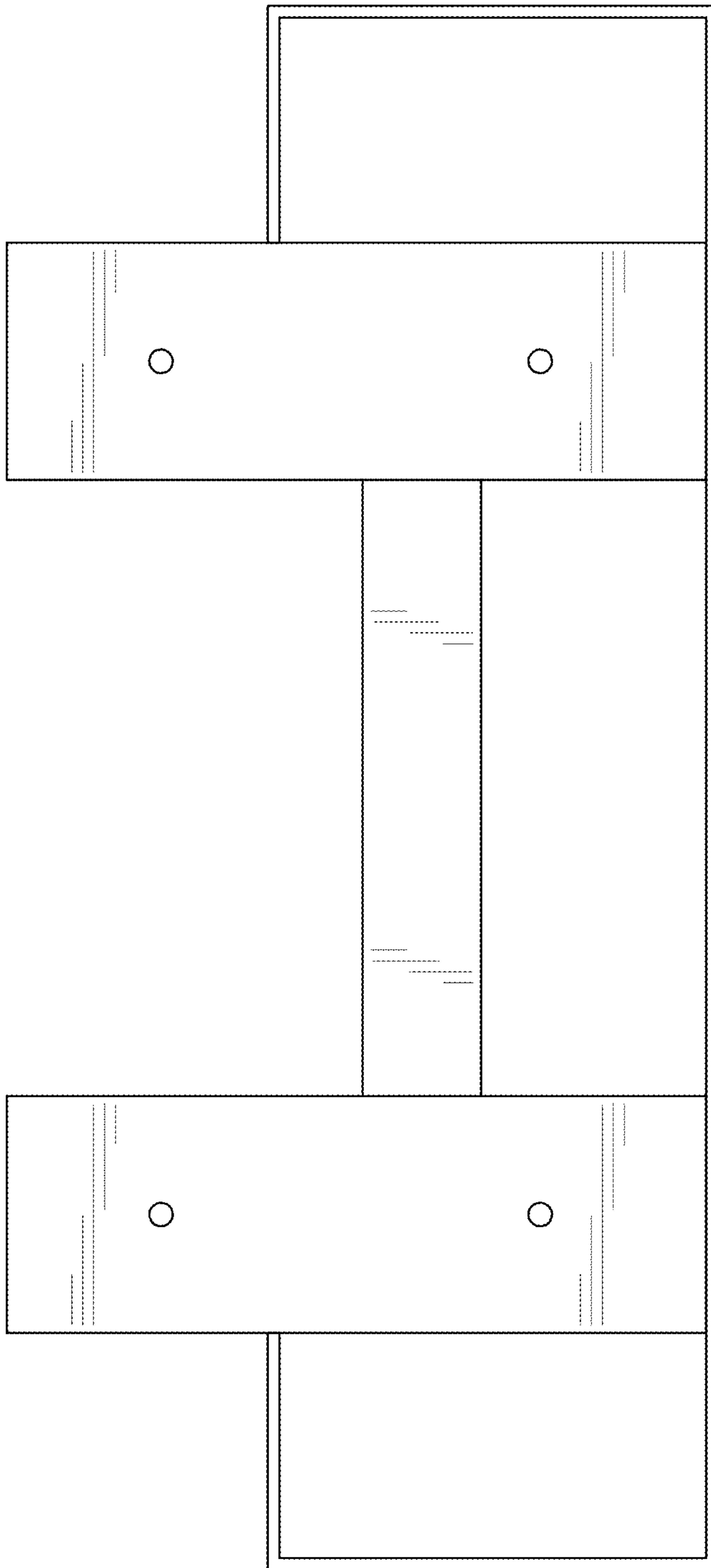


FIG. 2

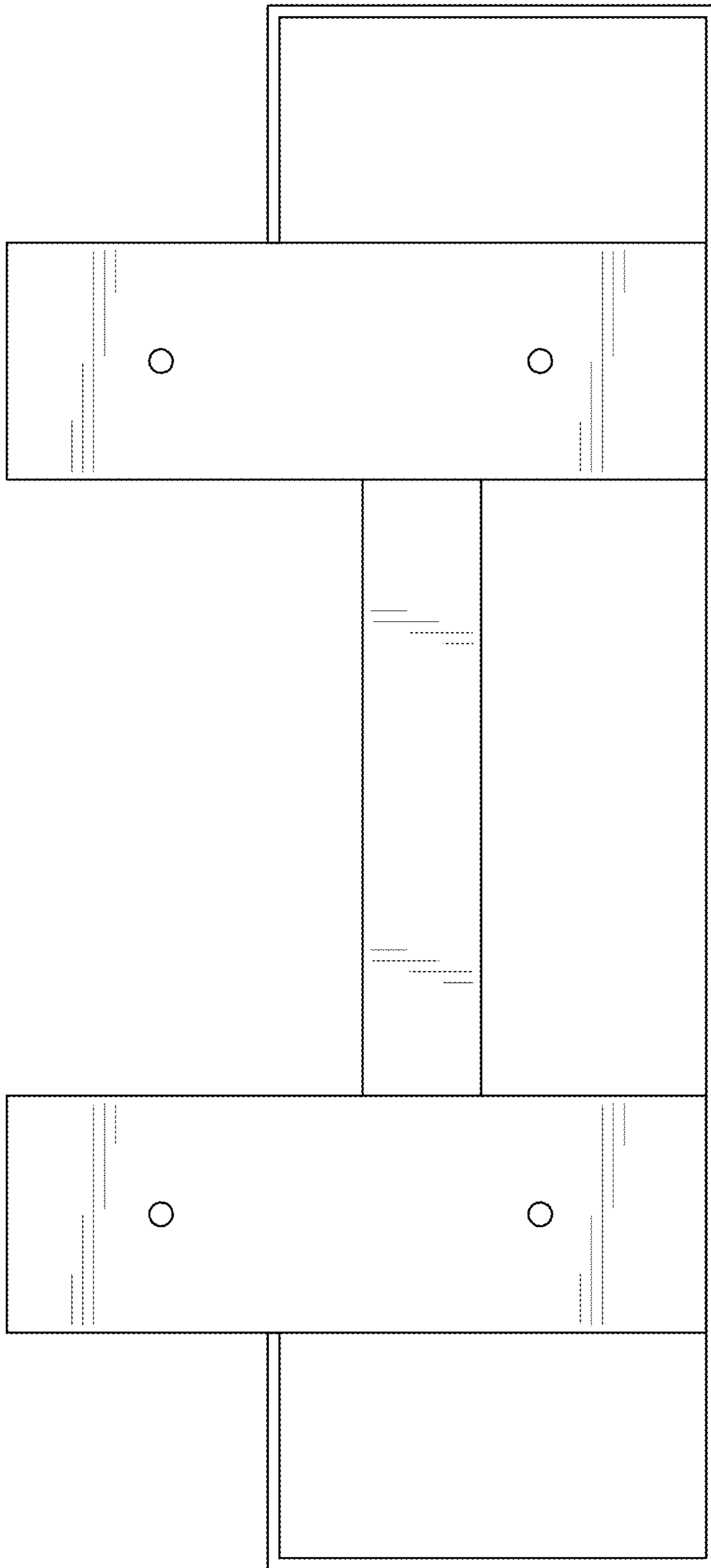


FIG. 3

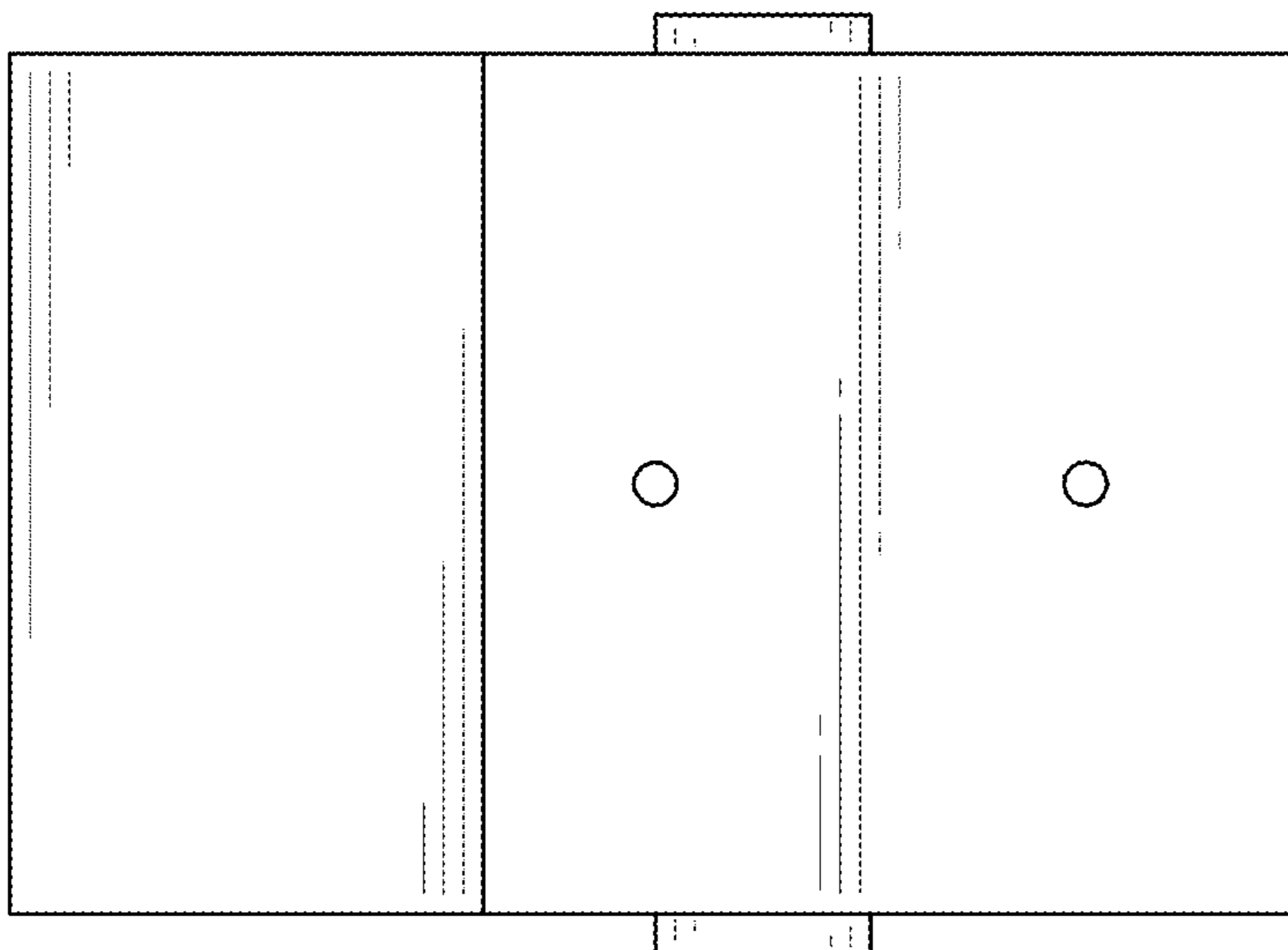


FIG. 4

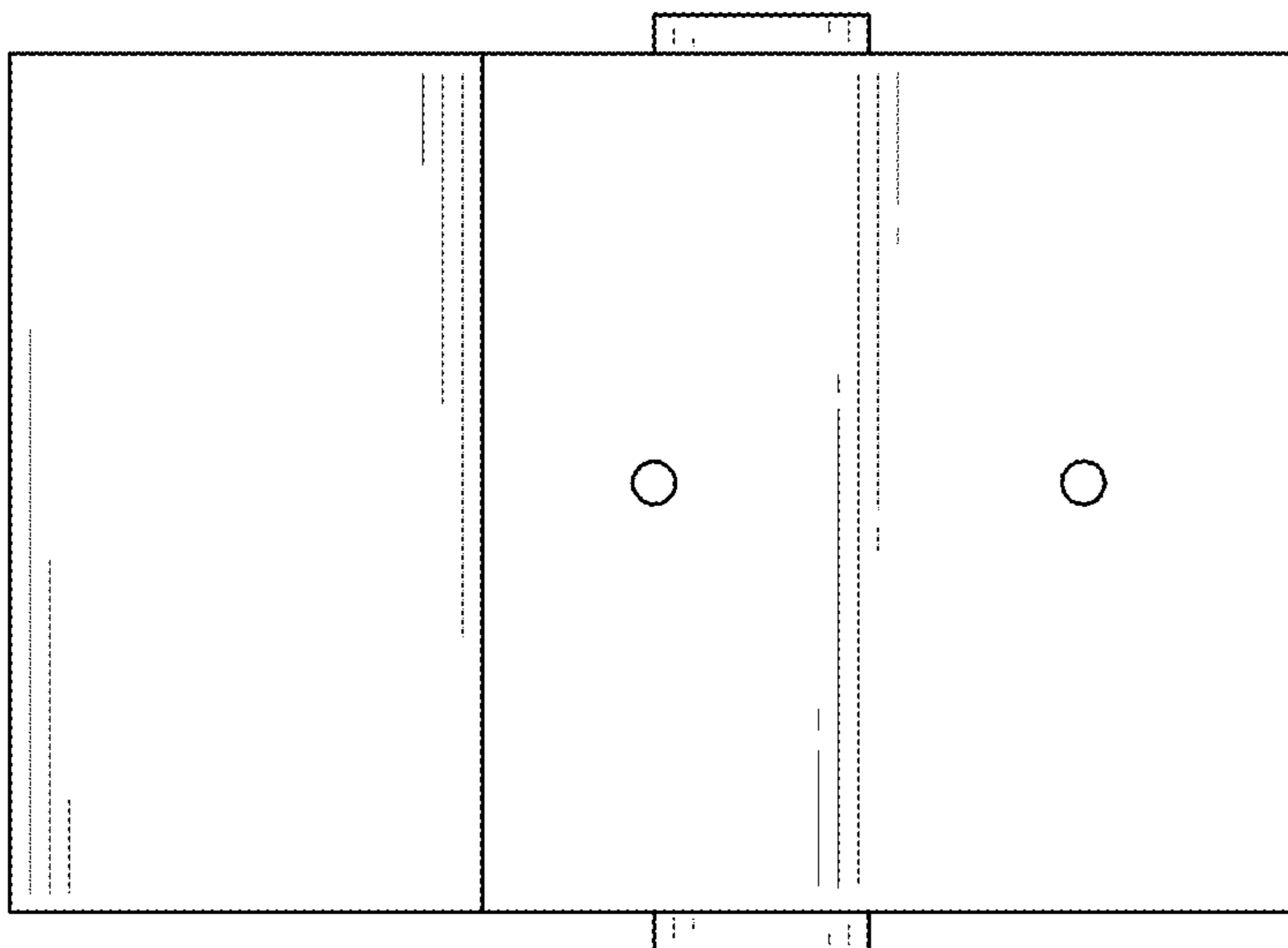


FIG. 5

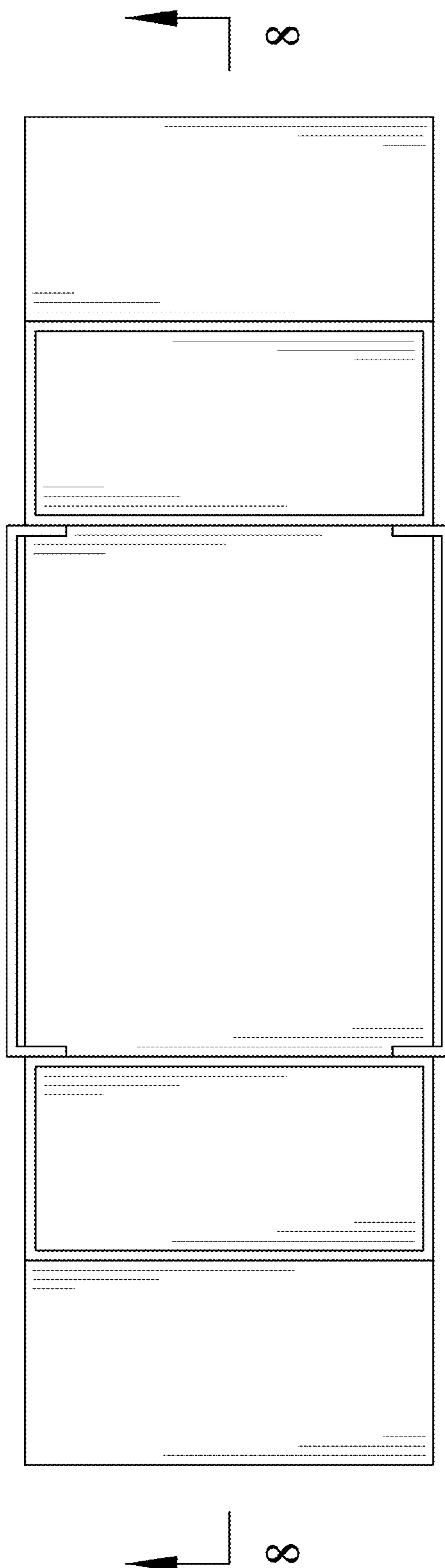


FIG. 6

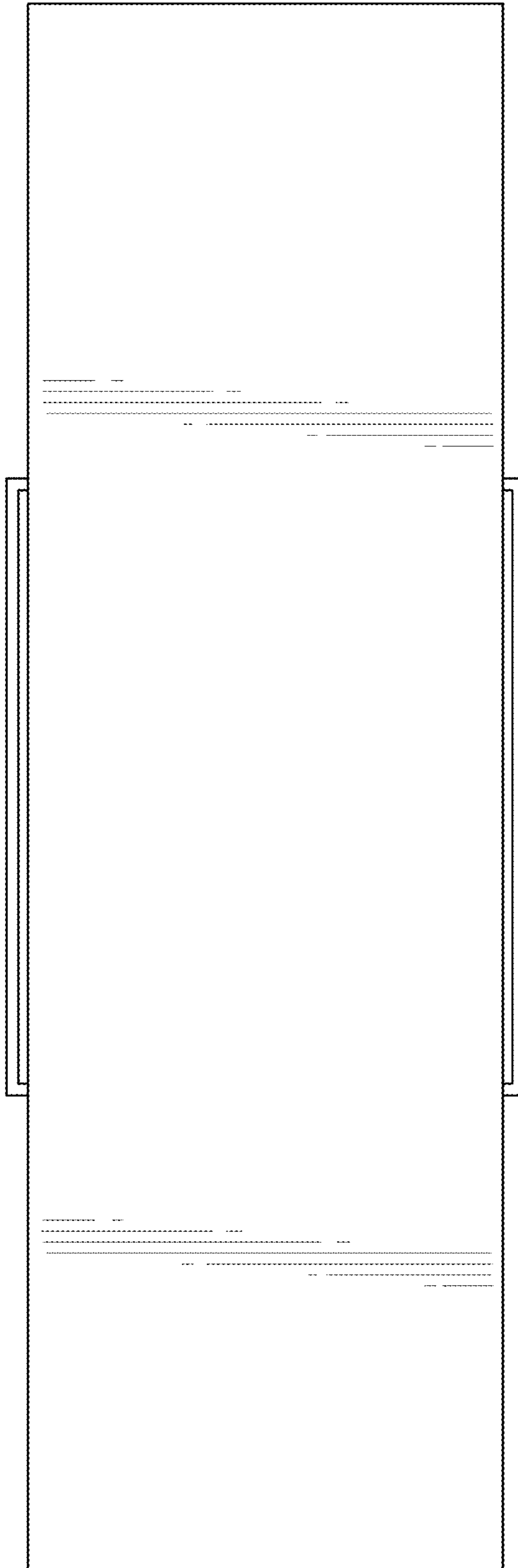


FIG. 7



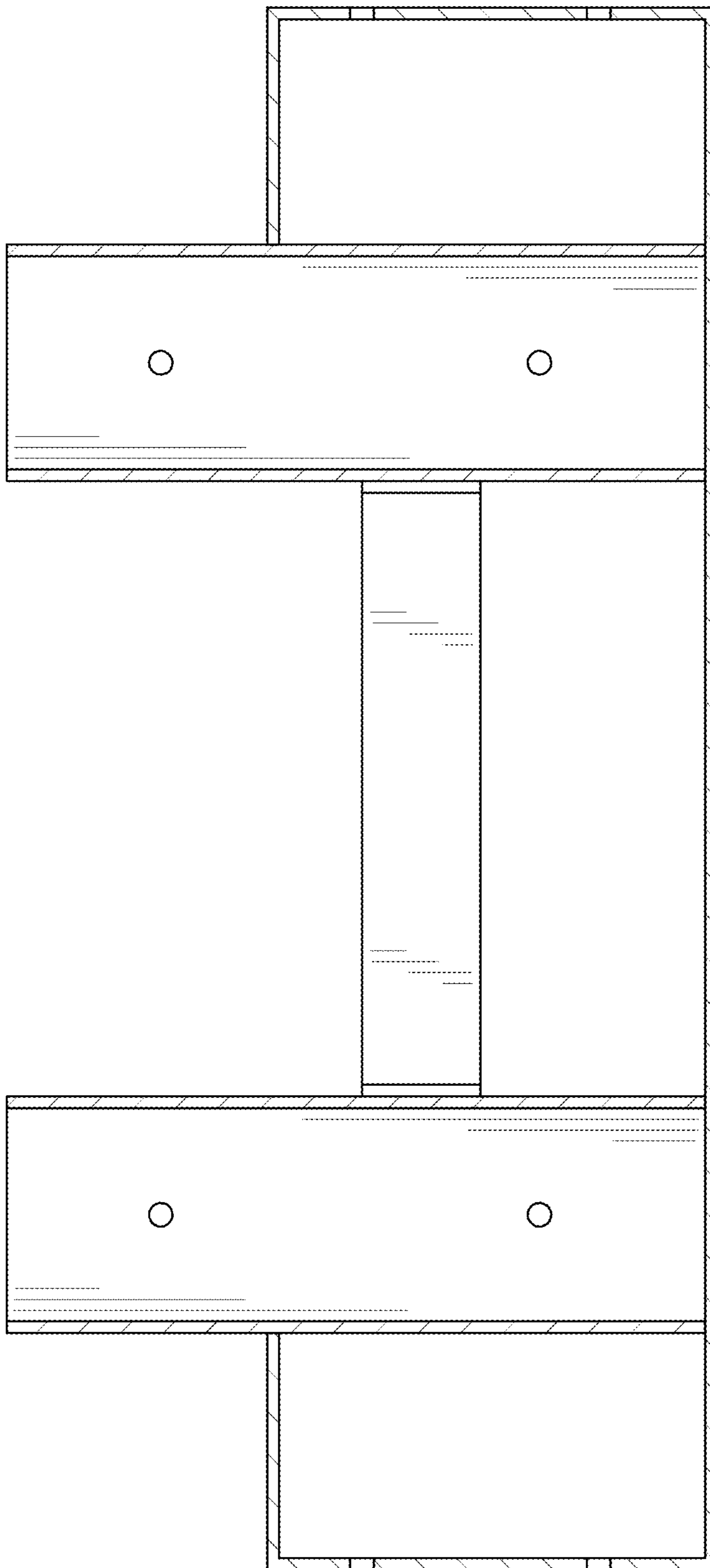


FIG. 8