



US00D977331S

(12) **United States Design Patent** (10) **Patent No.:** **US D977,331 S**
Tu (45) **Date of Patent:** **** Feb. 7, 2023**

(54) **FURNITURE RISER**

(71) Applicant: **Yunhua Tu**, Fuzhou (CN)

(72) Inventor: **Yunhua Tu**, Fuzhou (CN)

(**) Term: **15 Years**

(21) Appl. No.: **29/804,056**

(22) Filed: **Aug. 18, 2021**

(30) **Foreign Application Priority Data**

Jul. 21, 2021 (CN) 202130462534.7

(51) **LOC (14) Cl.** **08-11**

(52) **U.S. Cl.**
USPC **D8/374**

(58) **Field of Classification Search**
USPC D8/354-356, 358, 363-366, 373-379,
D8/380-388, 391, 393-396, 61, 70-71;
D6/712; D25/114, 119, 126-127;
D9/436
CPC E04G 17/0721; E04G 2017/0646; E04G
21/1841; E04G 21/1883; B65D 41/02;
B65D 25/20; B65D 83/40; F16B 7/18;
F16B 19/008; F16B 21/186; A47F
5/0823;

(Continued)

(56) **References Cited**

U.S. PATENT DOCUMENTS

D336,843 S * 6/1993 Hurst D8/374
D630,935 S * 1/2011 Jarvis D8/381
D697,391 S * 1/2014 Le D8/382

(Continued)

OTHER PUBLICATIONS

Uping Furniture Risers Bed Riser, Date Visited: Oct. 18, 2022,
Amazon, Date Available: Dec. 22, 2021, <https://www.amazon.co.uk/Uping-Adjustable-Stackable-Furniture-Washing/dp/B09NZ7BV42> (Year: 2021).*

(Continued)

Primary Examiner — Karen S Acker
Assistant Examiner — Elizabeth Sun Ko

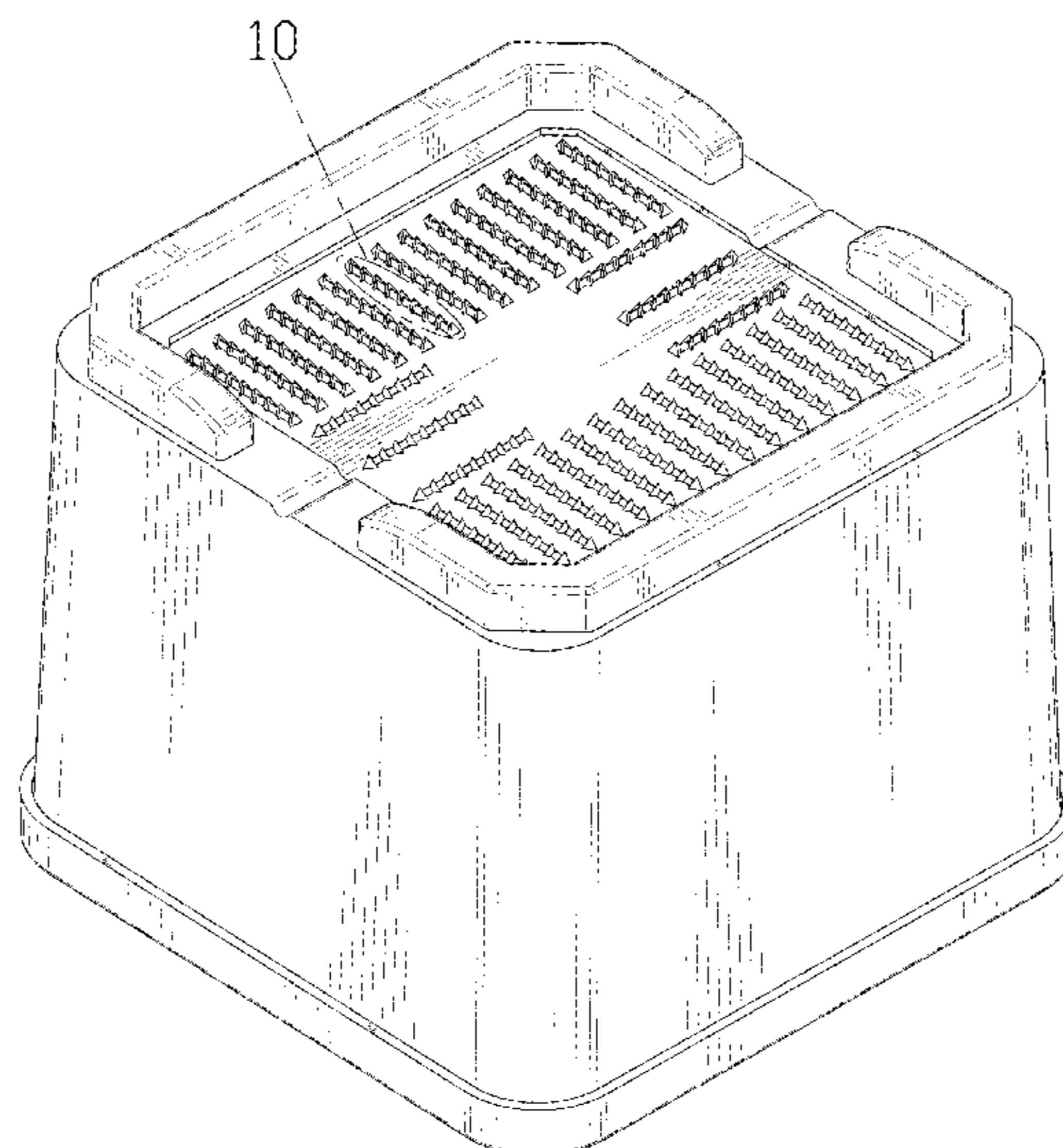
(57) **CLAIM**

The ornamental design for a furniture riser, as shown and described.

DESCRIPTION

FIG. 1 is a perspective view of a first embodiment of a furniture riser showing my new design; FIG. 2 is another perspective view thereof; FIG. 3 is a front elevational view thereof; FIG. 4 is a rear elevational view thereof; FIG. 5 is a left side elevational view thereof; FIG. 6 is a right side elevational view thereof; FIG. 7 is a top plan view thereof; FIG. 8 is a bottom plan view thereof; FIG. 9 is a perspective view of the furniture riser where the furniture riser is in a configuration of use; and FIG. 10 is an enlarged view of portion 10 shown in FIG. 1. FIG. 11 is a perspective view of a second embodiment of the furniture riser; FIG. 12 is another perspective view thereof; FIG. 13 is a front elevational view thereof; FIG. 14 is a rear elevational view thereof; FIG. 15 is a left side elevational view thereof; FIG. 16 is a right side elevational view thereof; FIG. 17 is a top plan view thereof; FIG. 18 is a bottom plan view thereof; FIG. 19 is a perspective view of the furniture riser where the furniture riser is in a configuration of use; and, FIG. 20 is an enlarged view of portion 20 shown in FIG. 11. The dash-dash broken lines in the drawings depict portions of the furniture riser that form no part of the claimed design. The dot-dash broken lines represent boundaries of the enlarged portions and form no part of the claimed design.

1 Claim, 20 Drawing Sheets



(58) **Field of Classification Search**

CPC A47F 5/0853; A47F 5/0869; E04C 5/18;
E04C 5/168; E04C 5/20; E04C 2/384;
E04C 2002/047; E04C 2003/026; E04C
5/203

See application file for complete search history.

(56) **References Cited**

U.S. PATENT DOCUMENTS

D728,347	S	*	5/2015	Munson	D8/381
D728,348	S	*	5/2015	Munson	D8/381
D893,288	S	*	8/2020	Wendling	D8/374
D894,720	S	*	9/2020	Wendling	D8/374
D896,621	S	*	9/2020	Wendling	D8/374
D896,622	S	*	9/2020	Wendling	D8/374
D904,861	S	*	12/2020	McWilliams	D8/354
D915,871	S	*	4/2021	Wendling	D8/374
D923,462	S		6/2021	Wendling		
D929,212	S	*	8/2021	Guindi	D8/374
D932,285	S	*	10/2021	Gilner	D8/354
D948,993	S	*	4/2022	Gilner	D8/354
D949,673	S	*	4/2022	Wendling	A47C 7/006 D8/374
D964,154	S	*	9/2022	Tu	D8/380

OTHER PUBLICATIONS

Peohud 4 Pack Bed Furniture Risers, Date Visited: Oct. 18, 2022,
Amazon, Date Available: Nov. 16, 2021, [https://www.amazon.com/
Peohud-Adjustable-Furniture-Stackable-Surfaces/dp/
B09LYZB7SZ](https://www.amazon.com/Peohud-Adjustable-Furniture-Stackable-Surfaces/dp/B09LYZB7SZ) (Year: 2021).*

* cited by examiner

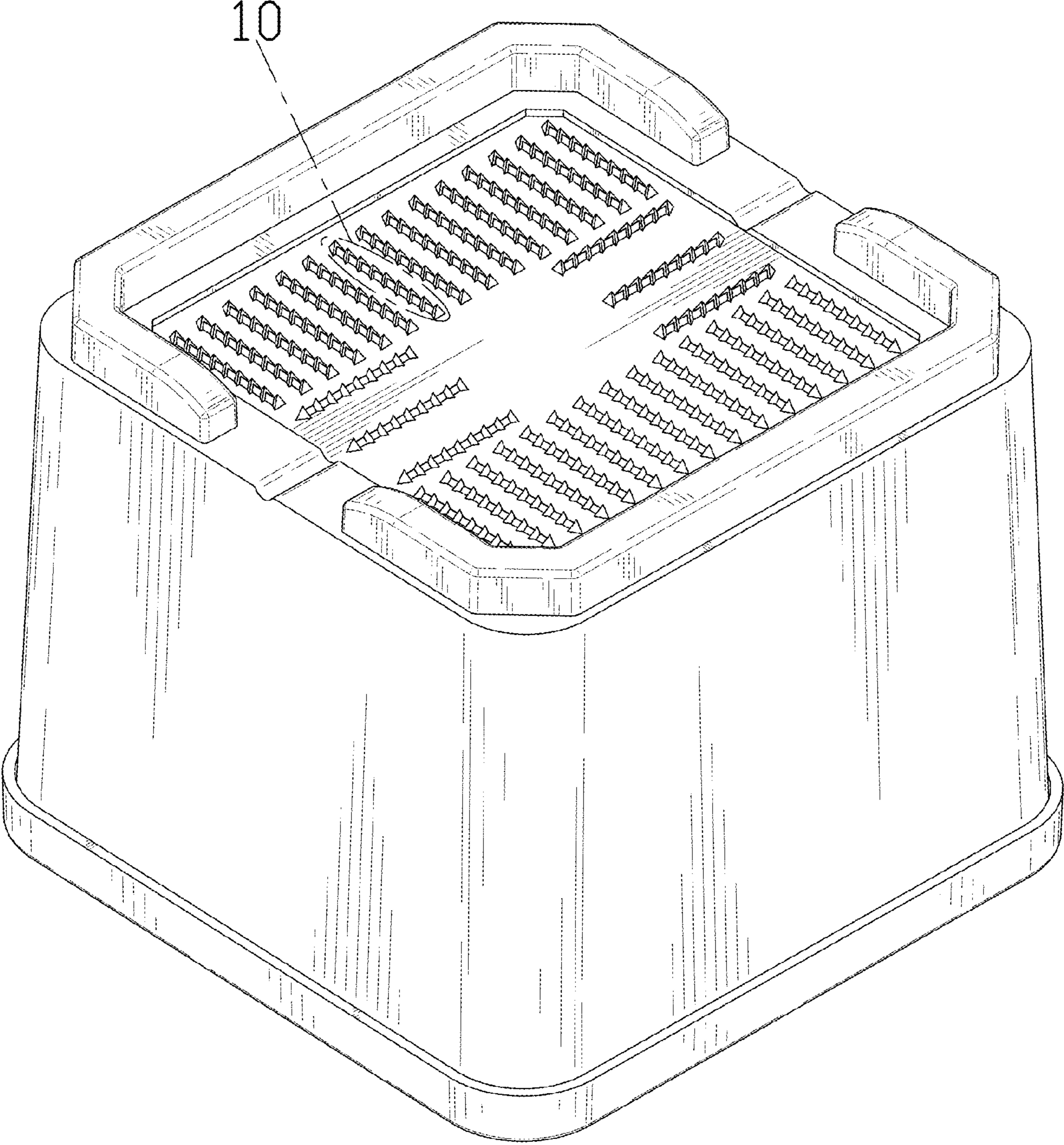


FIG. 1

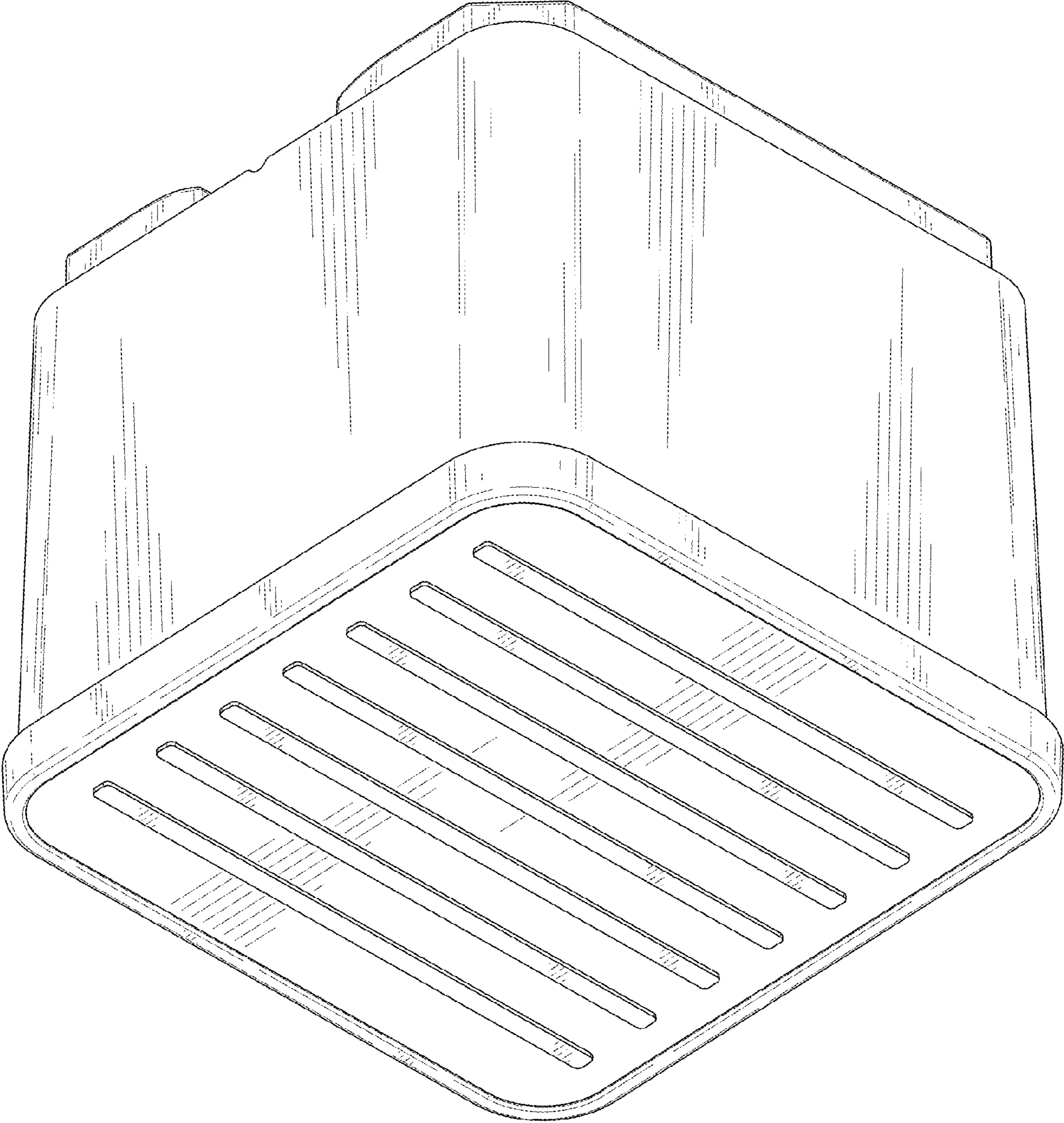


FIG. 2

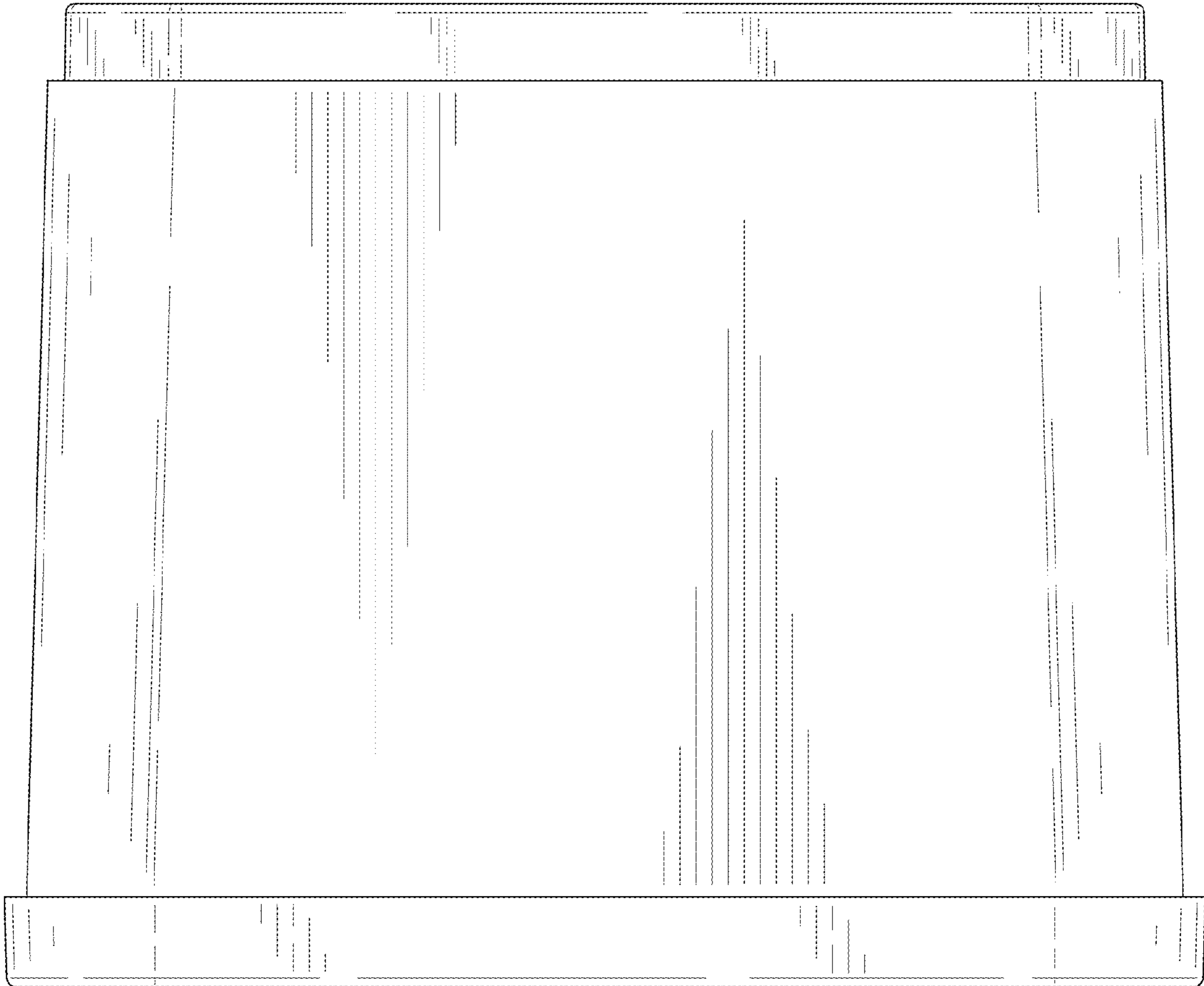


FIG. 3

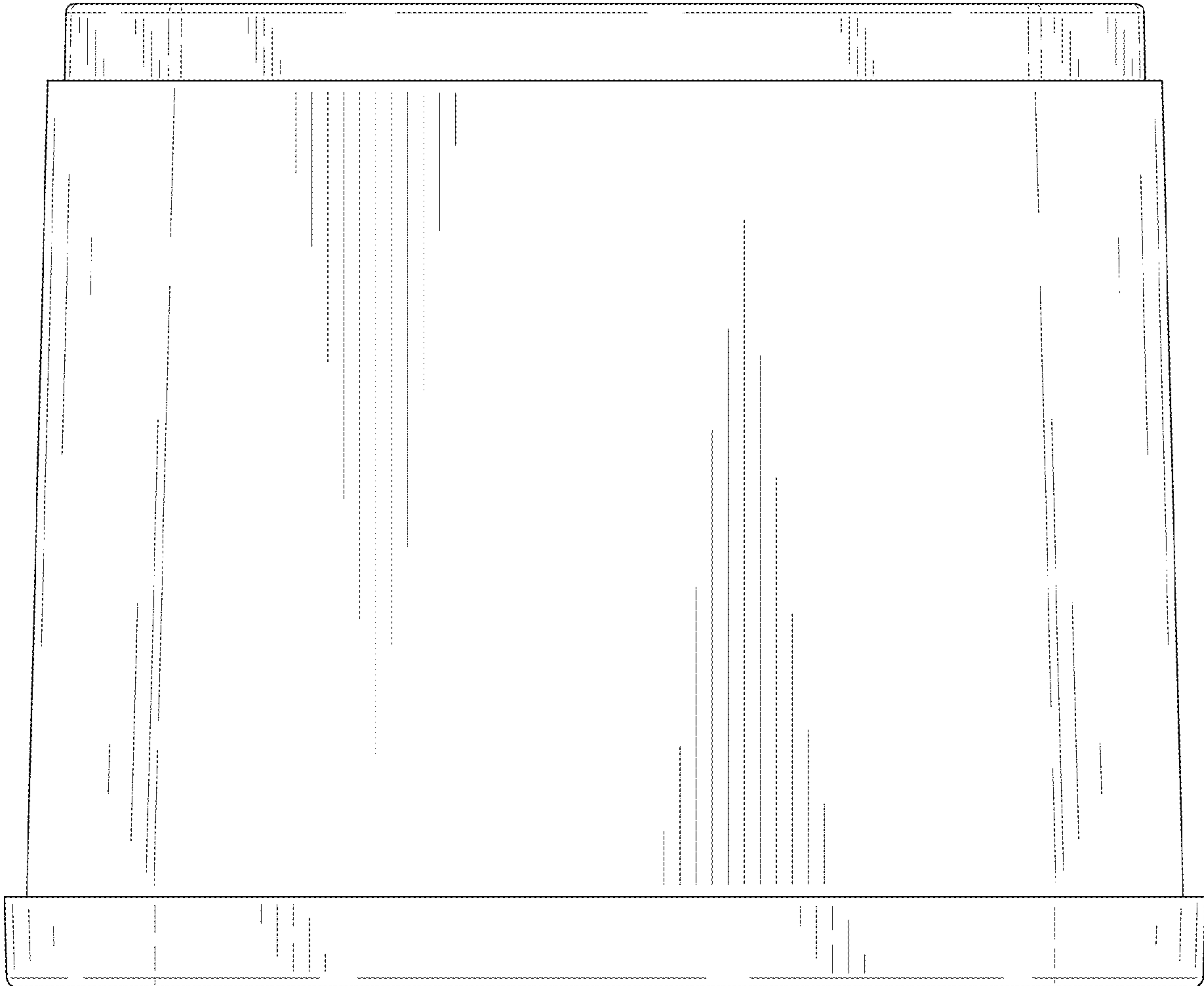


FIG. 4

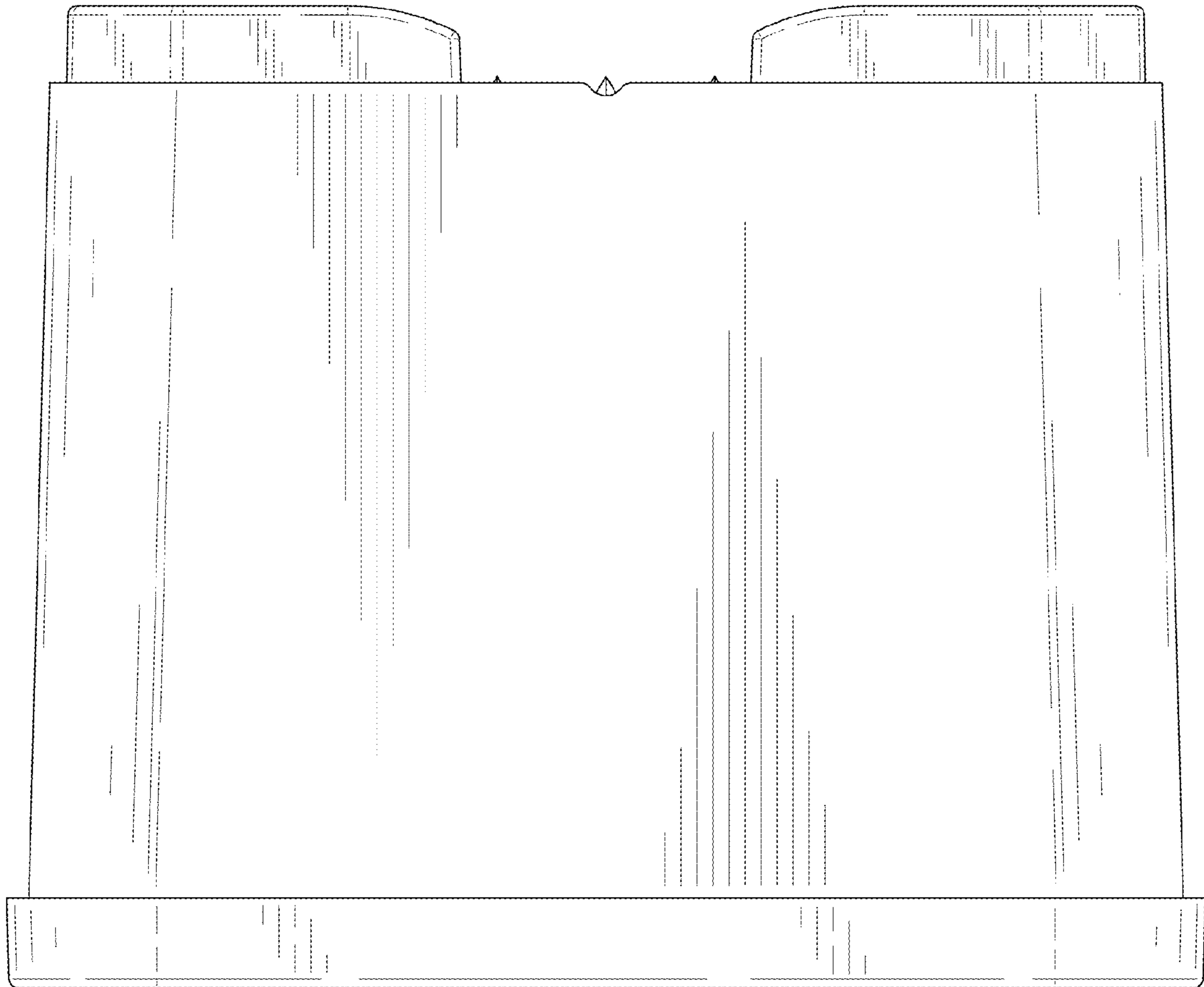


FIG. 5

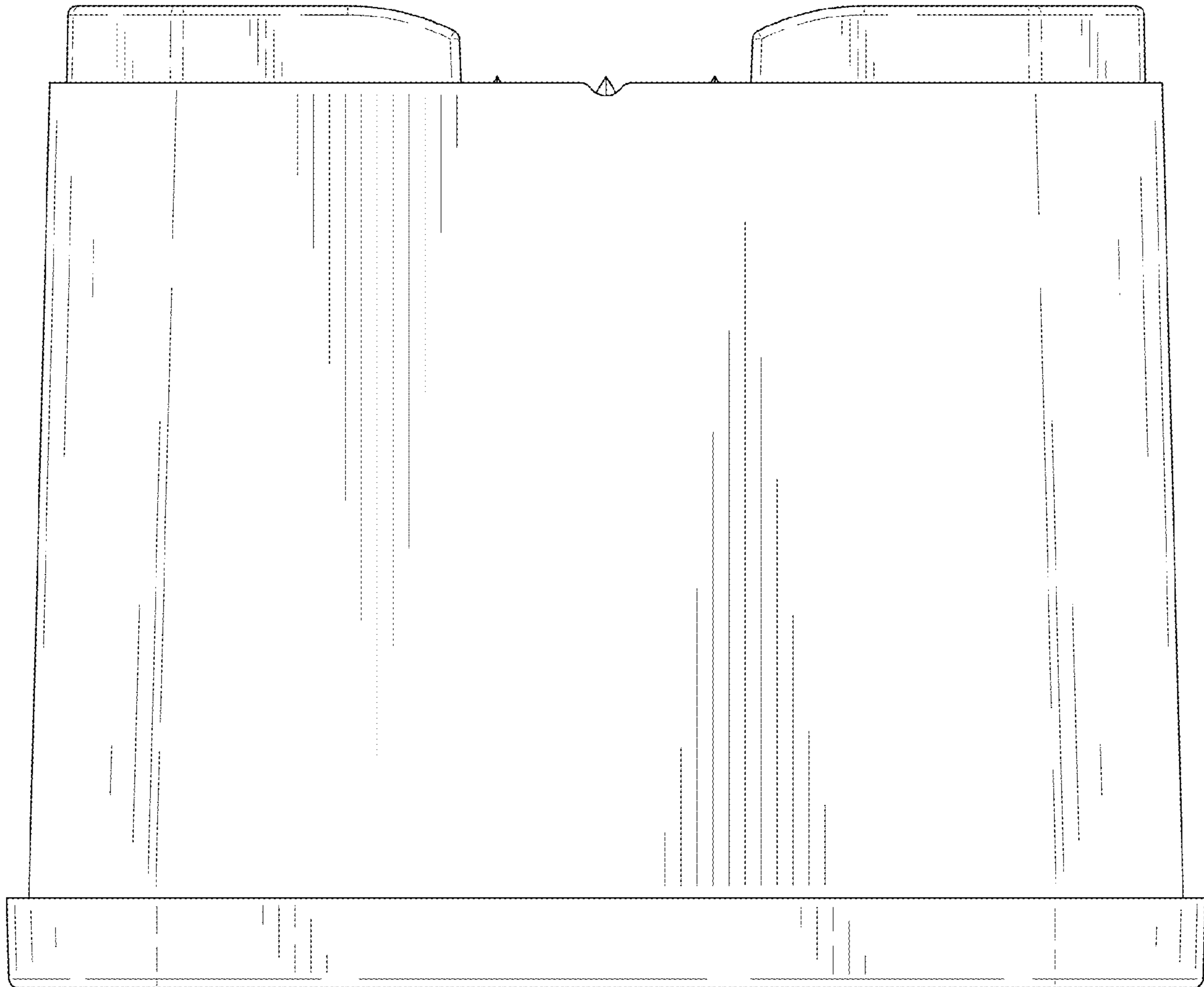


FIG. 6

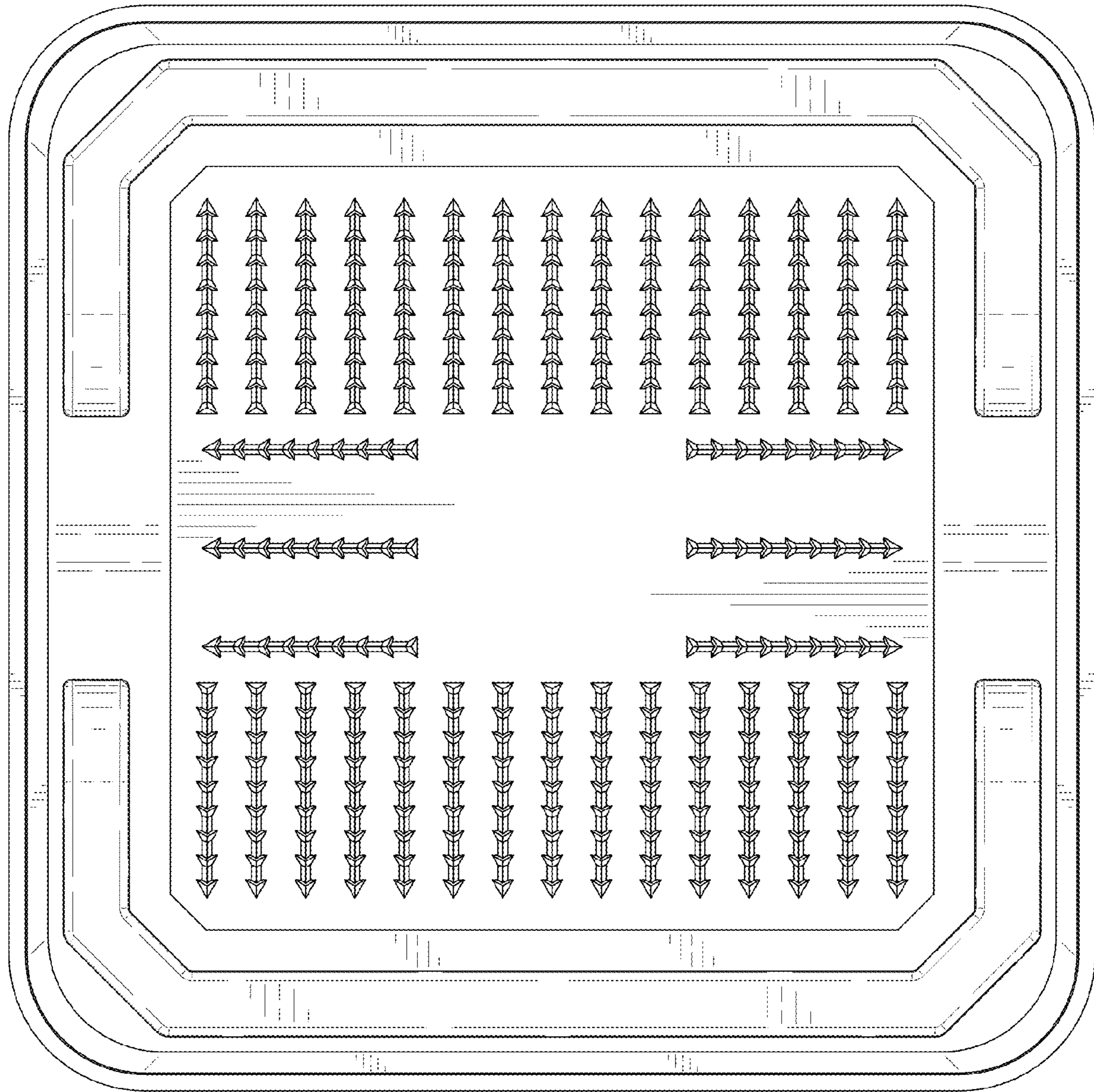


FIG. 7

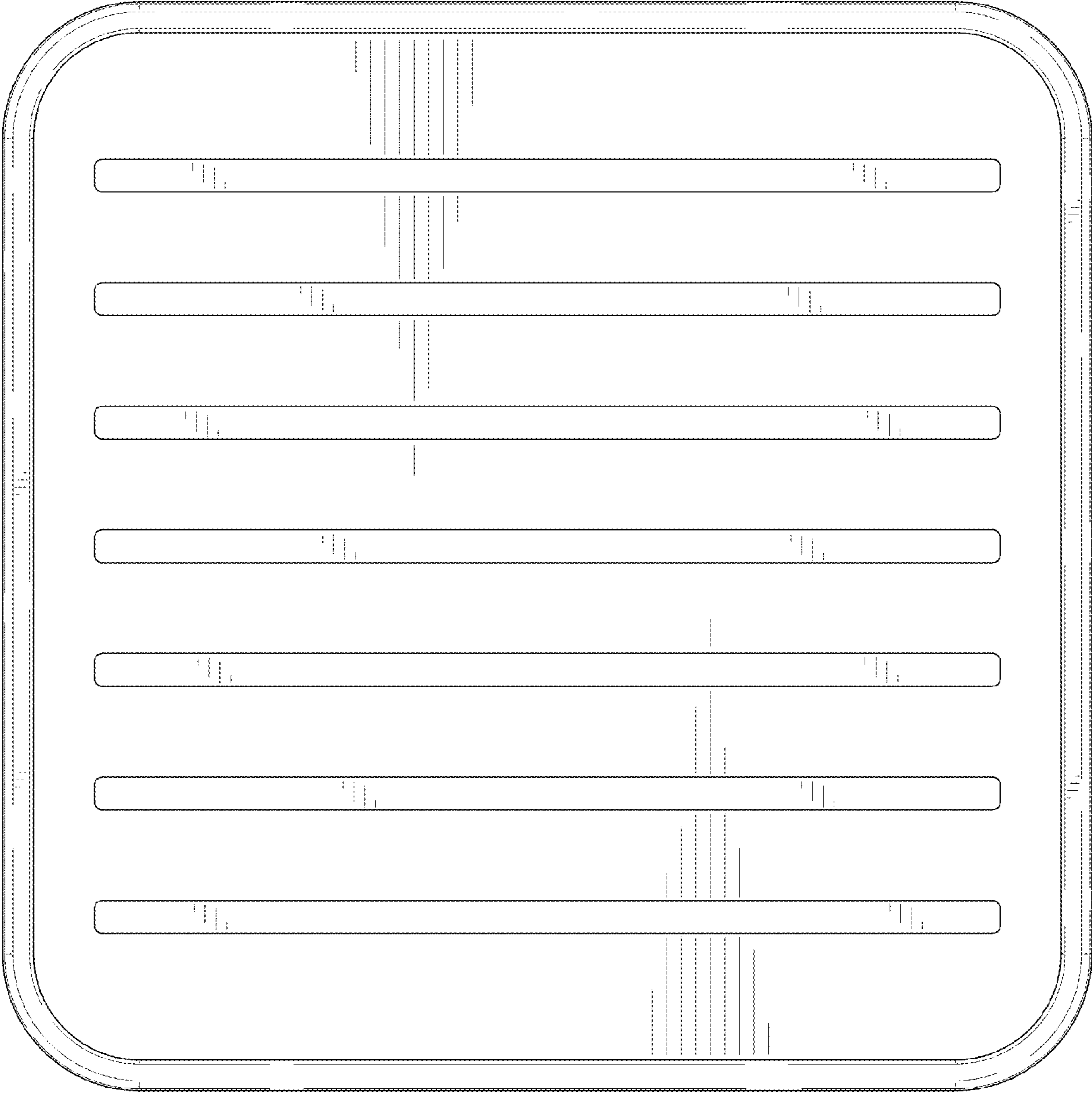


FIG. 8

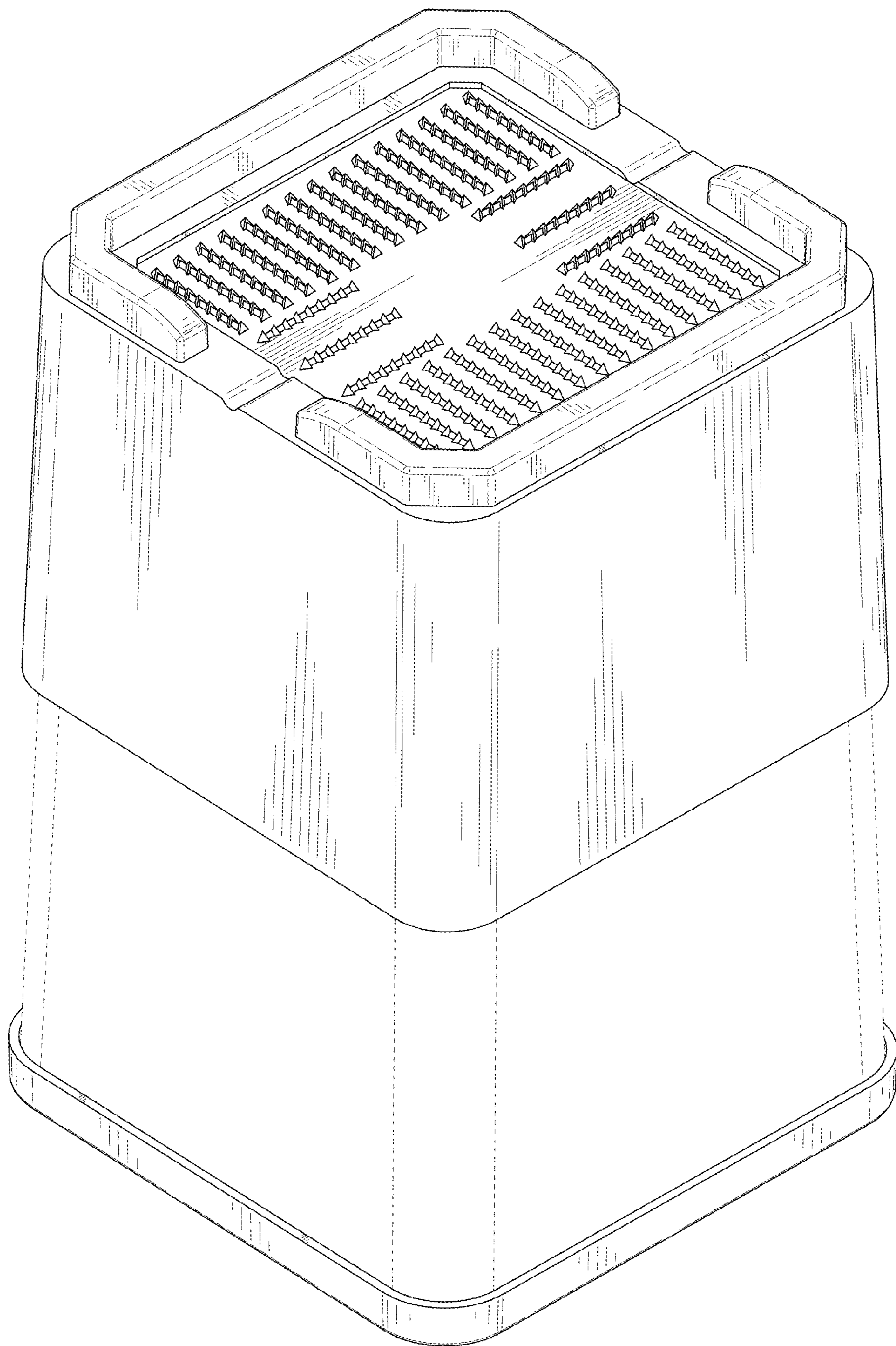


FIG. 9

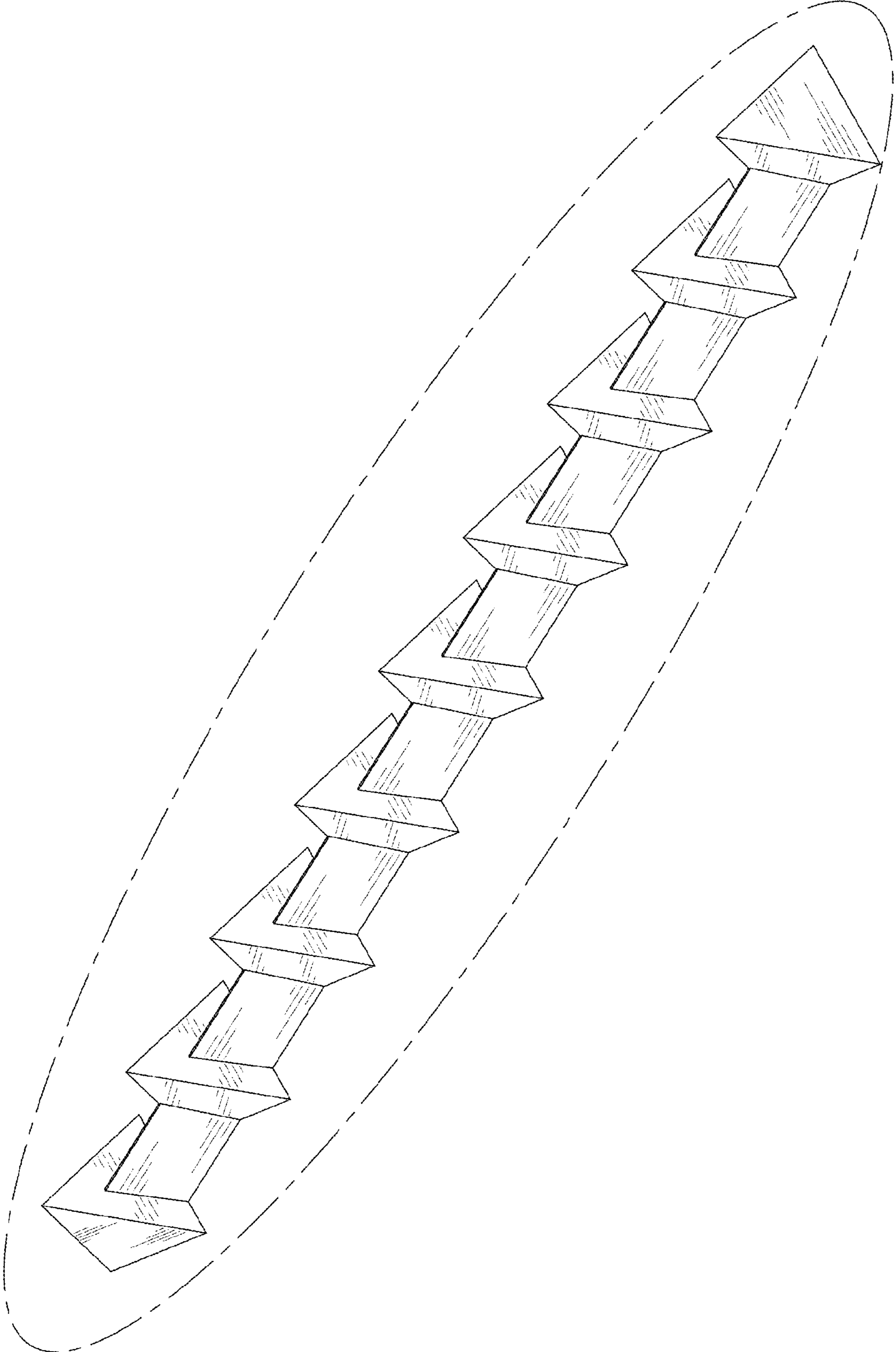


FIG. 10

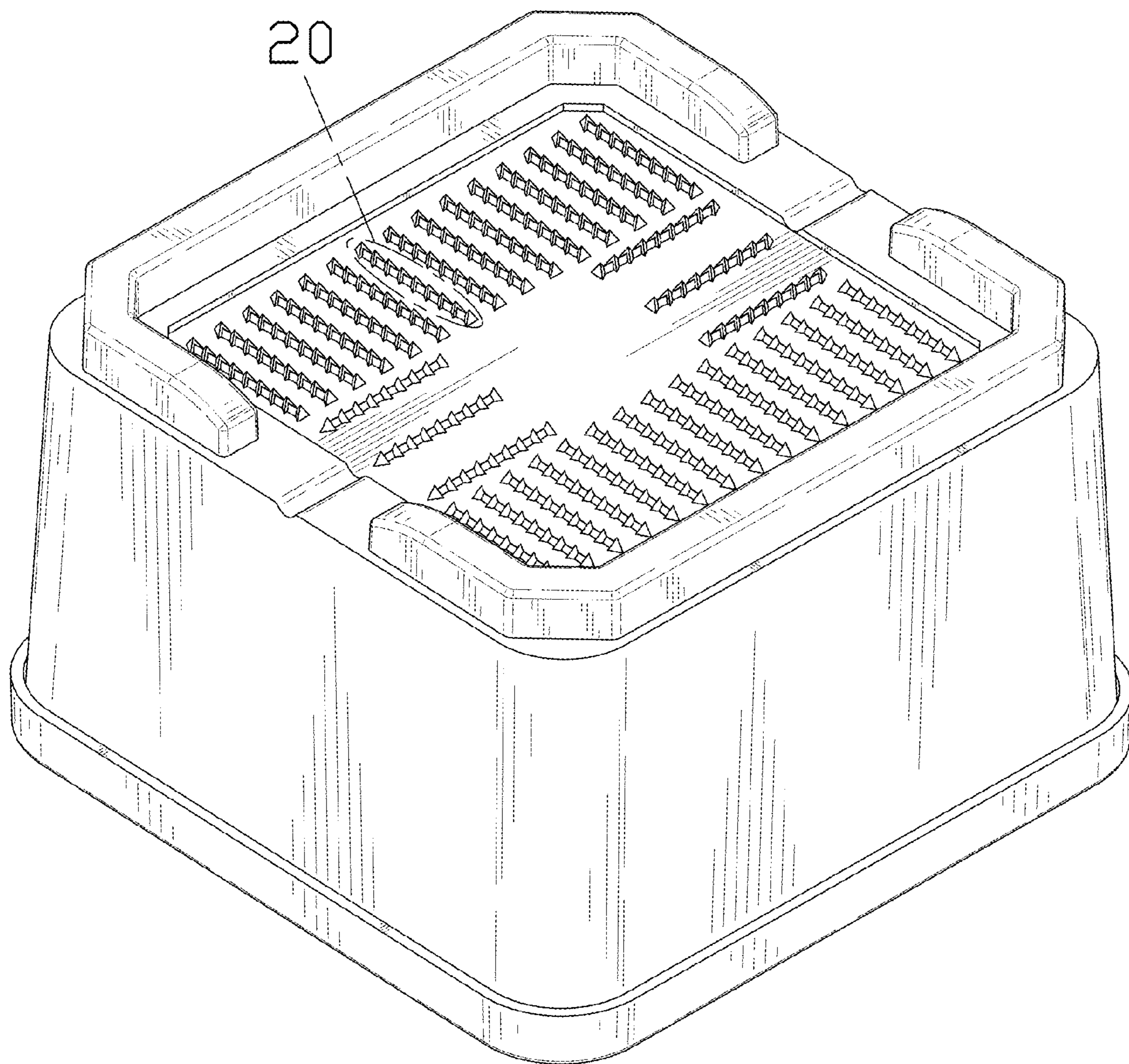


FIG. 11

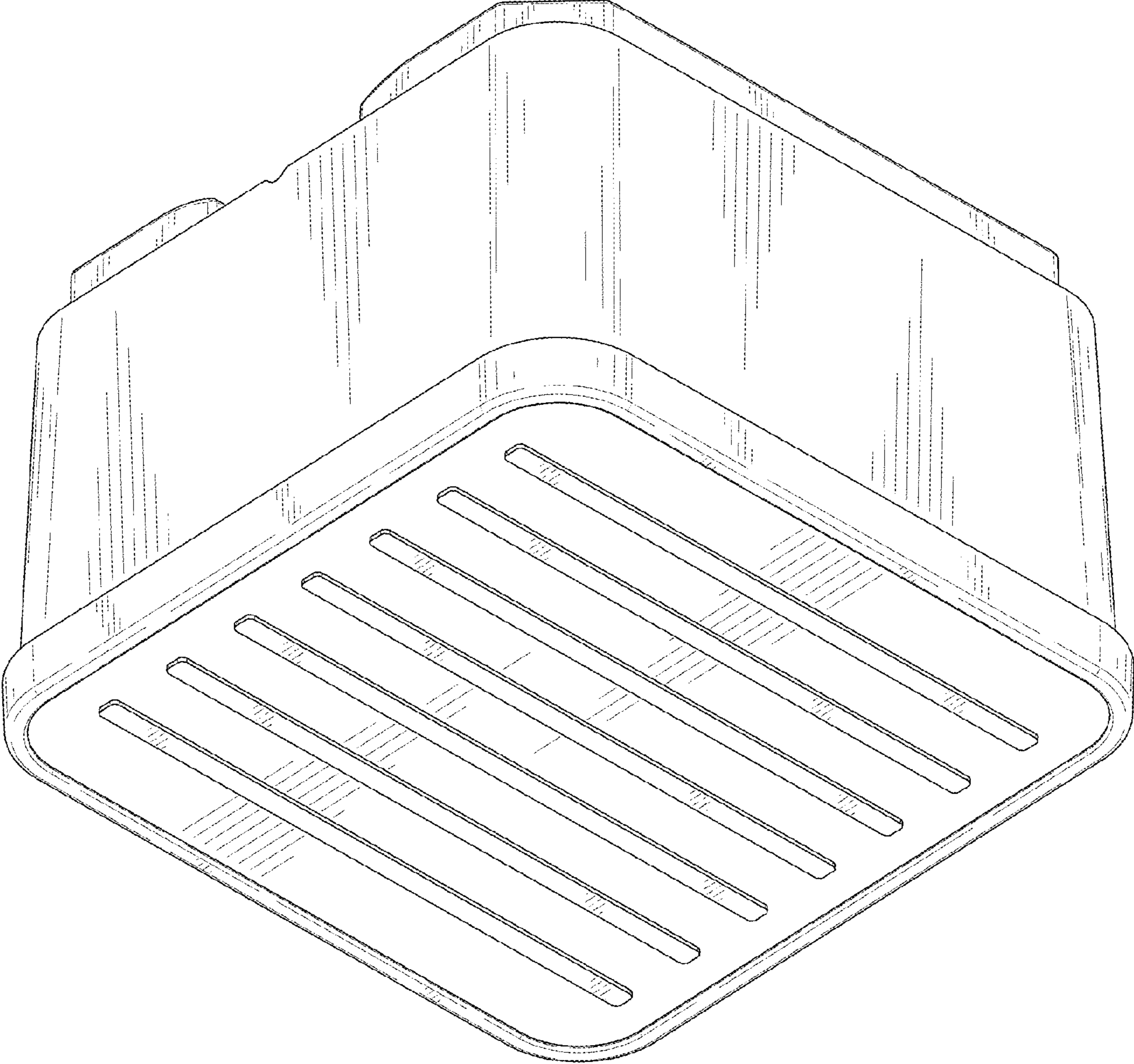


FIG. 12

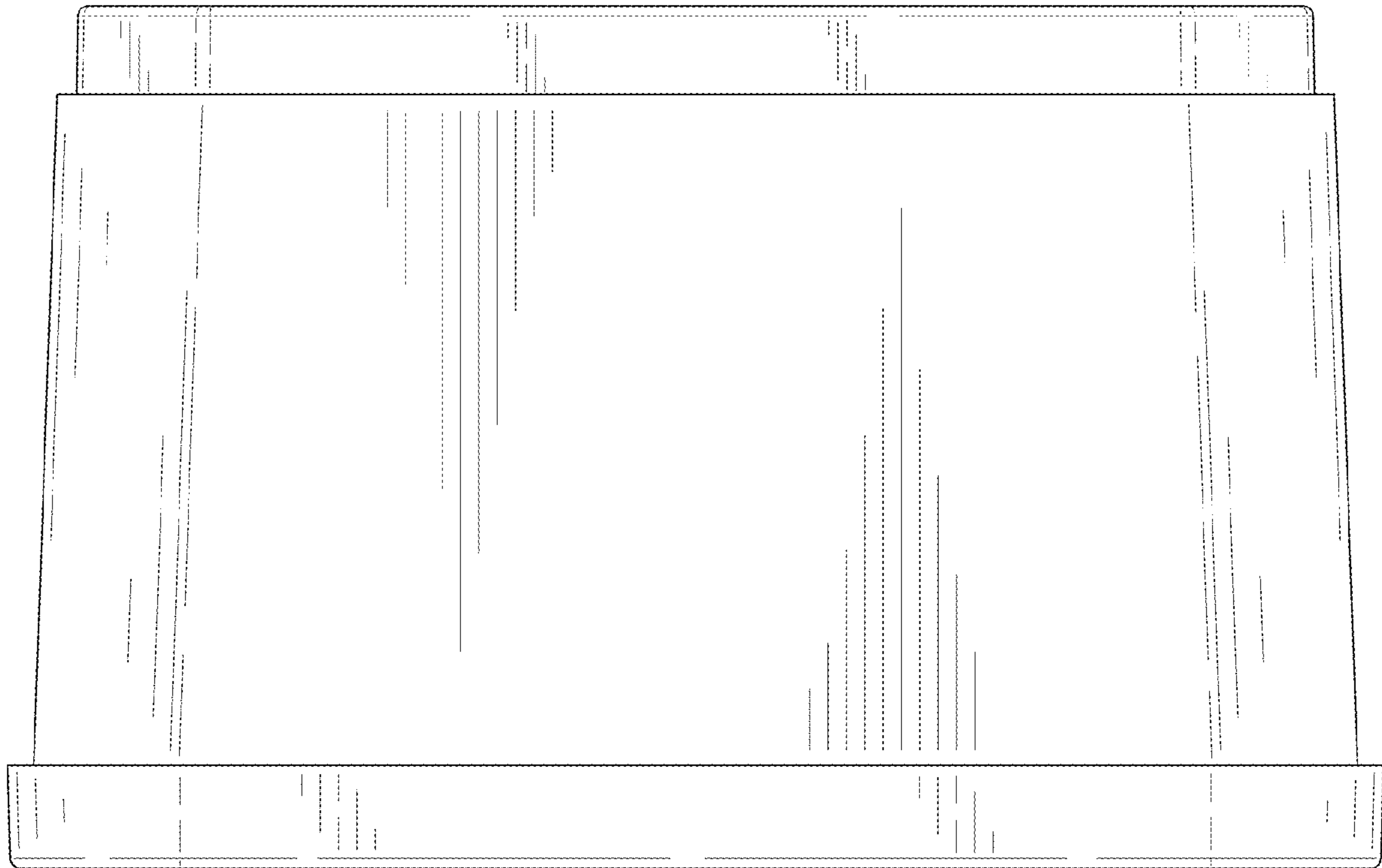


FIG. 13

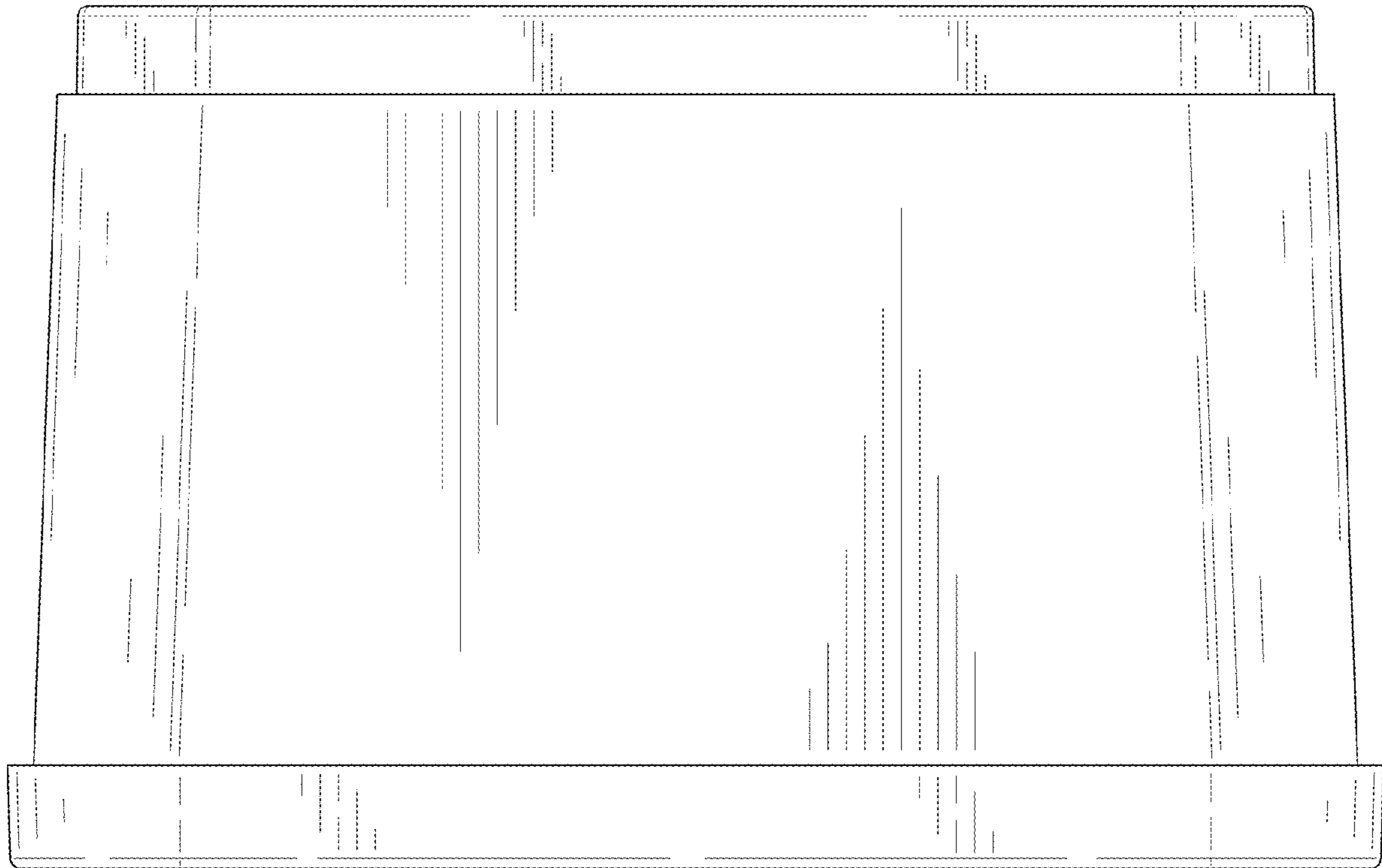


FIG. 14

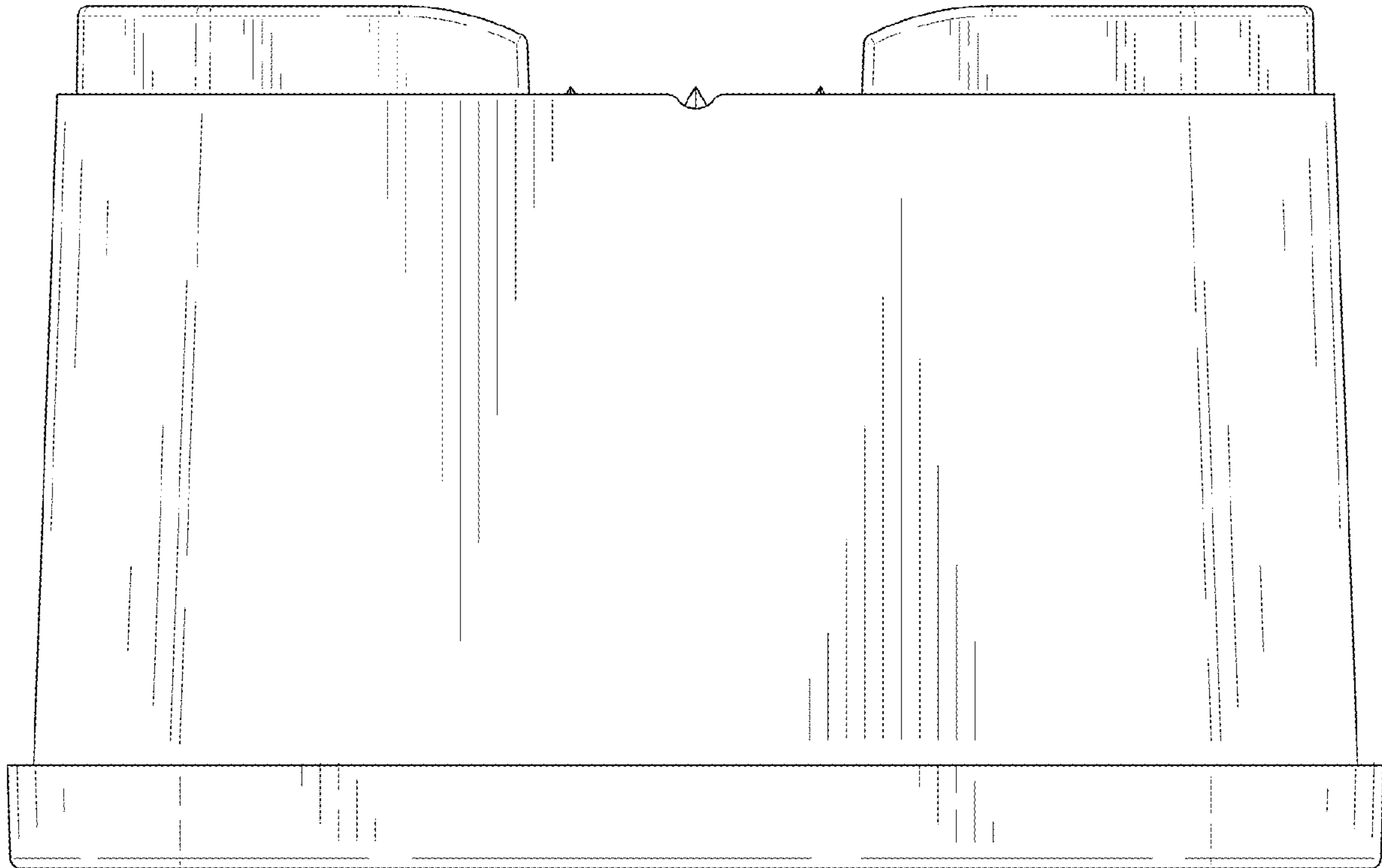


FIG. 15

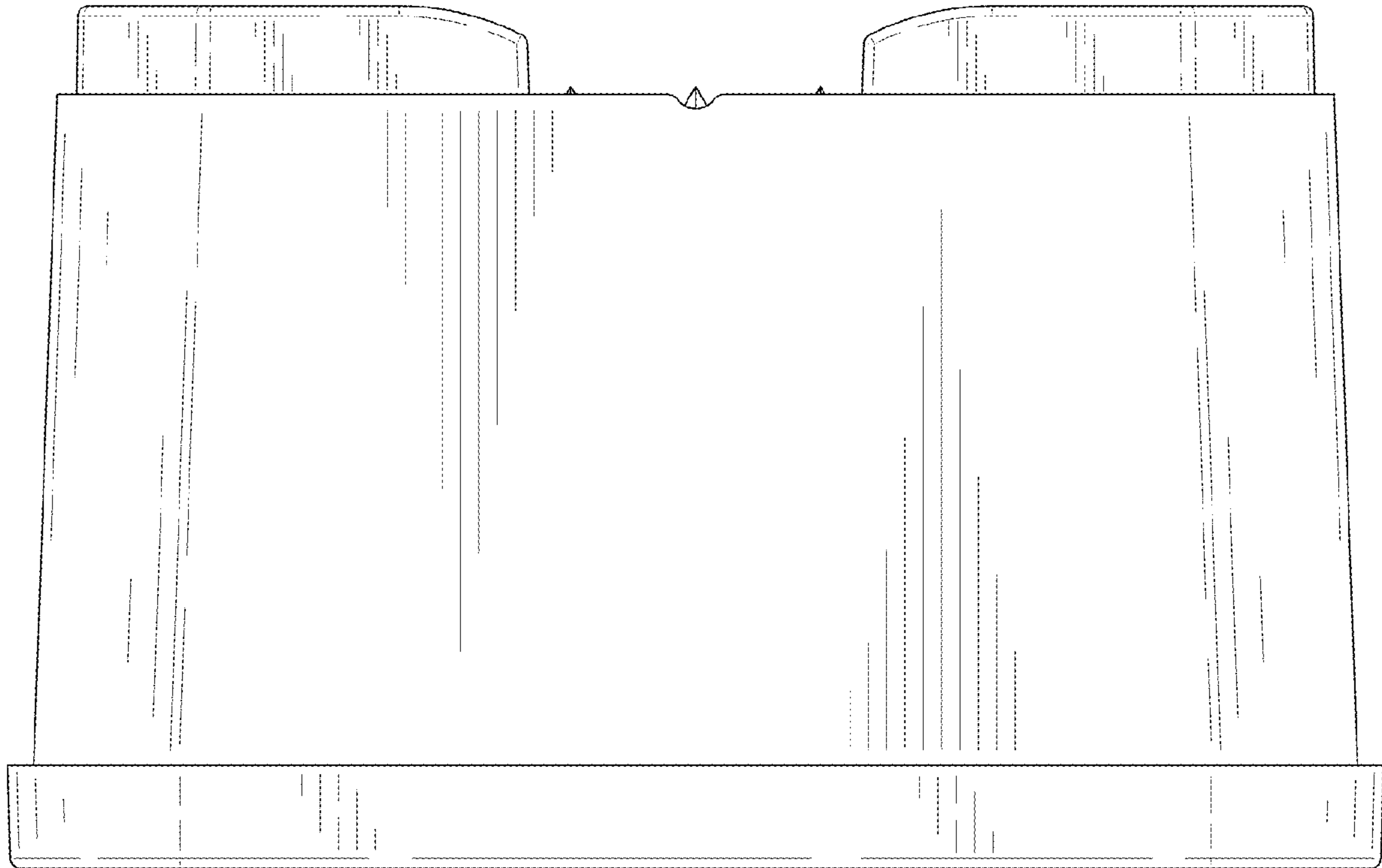


FIG. 16

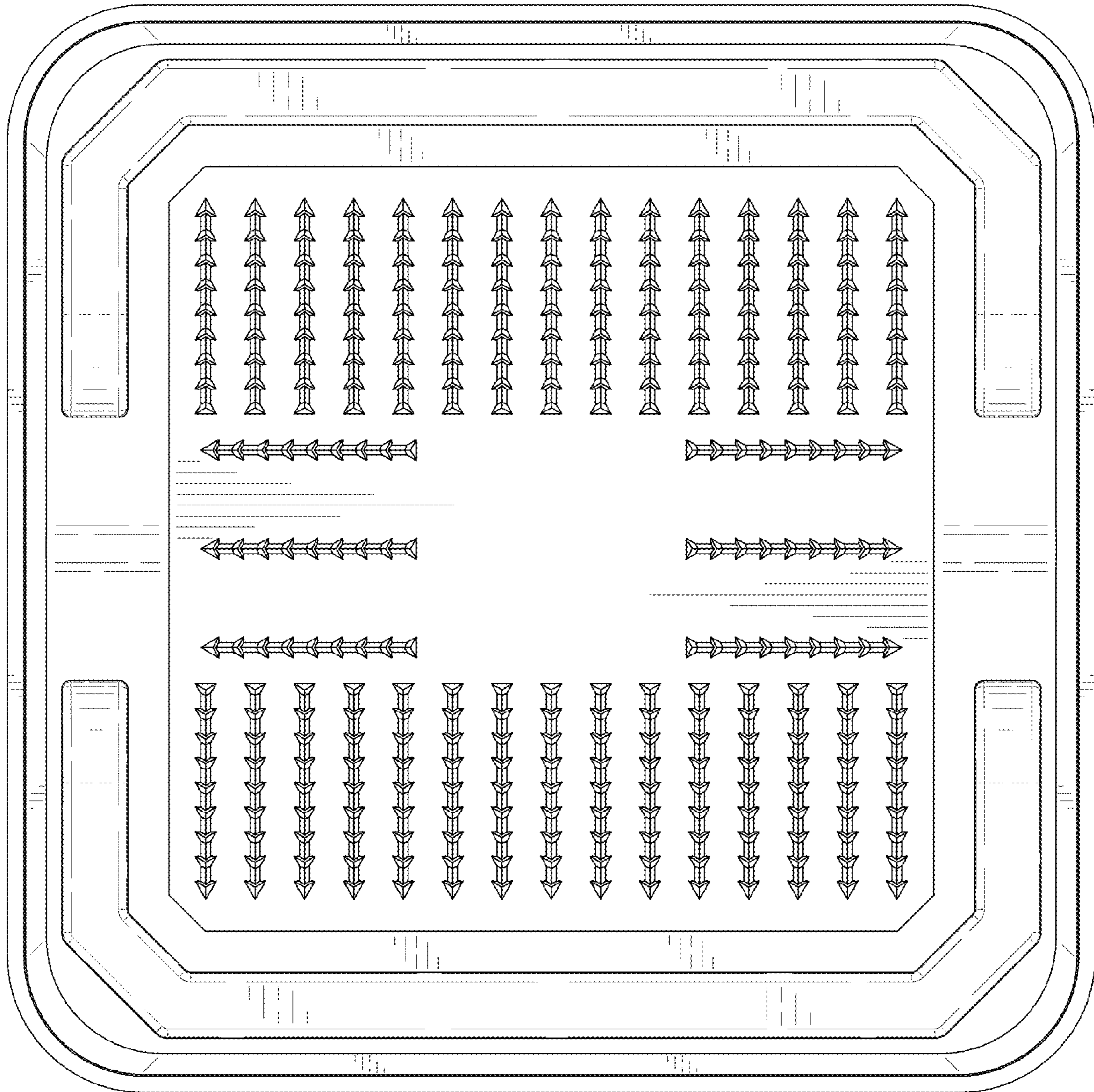


FIG. 17

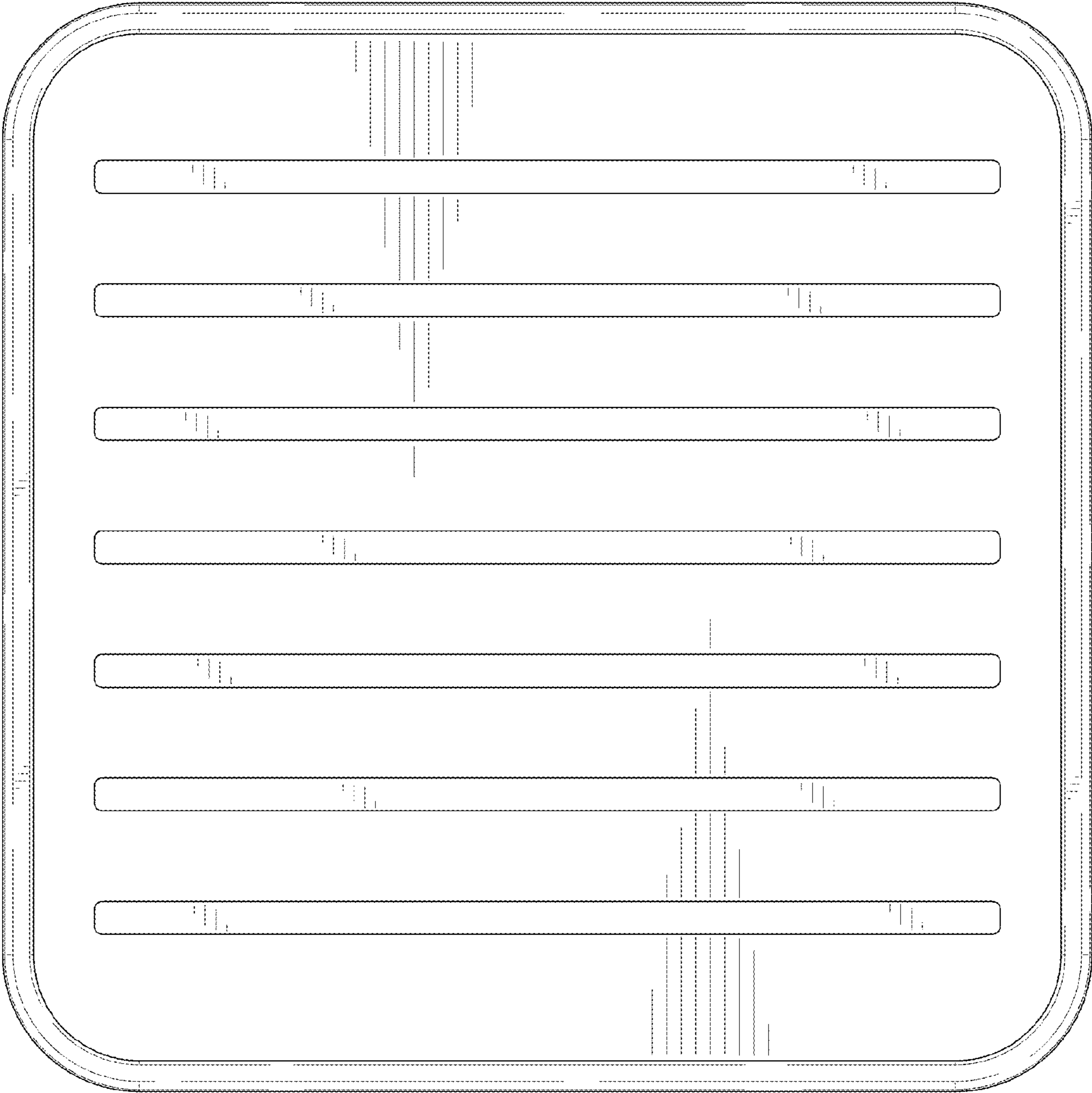


FIG. 18

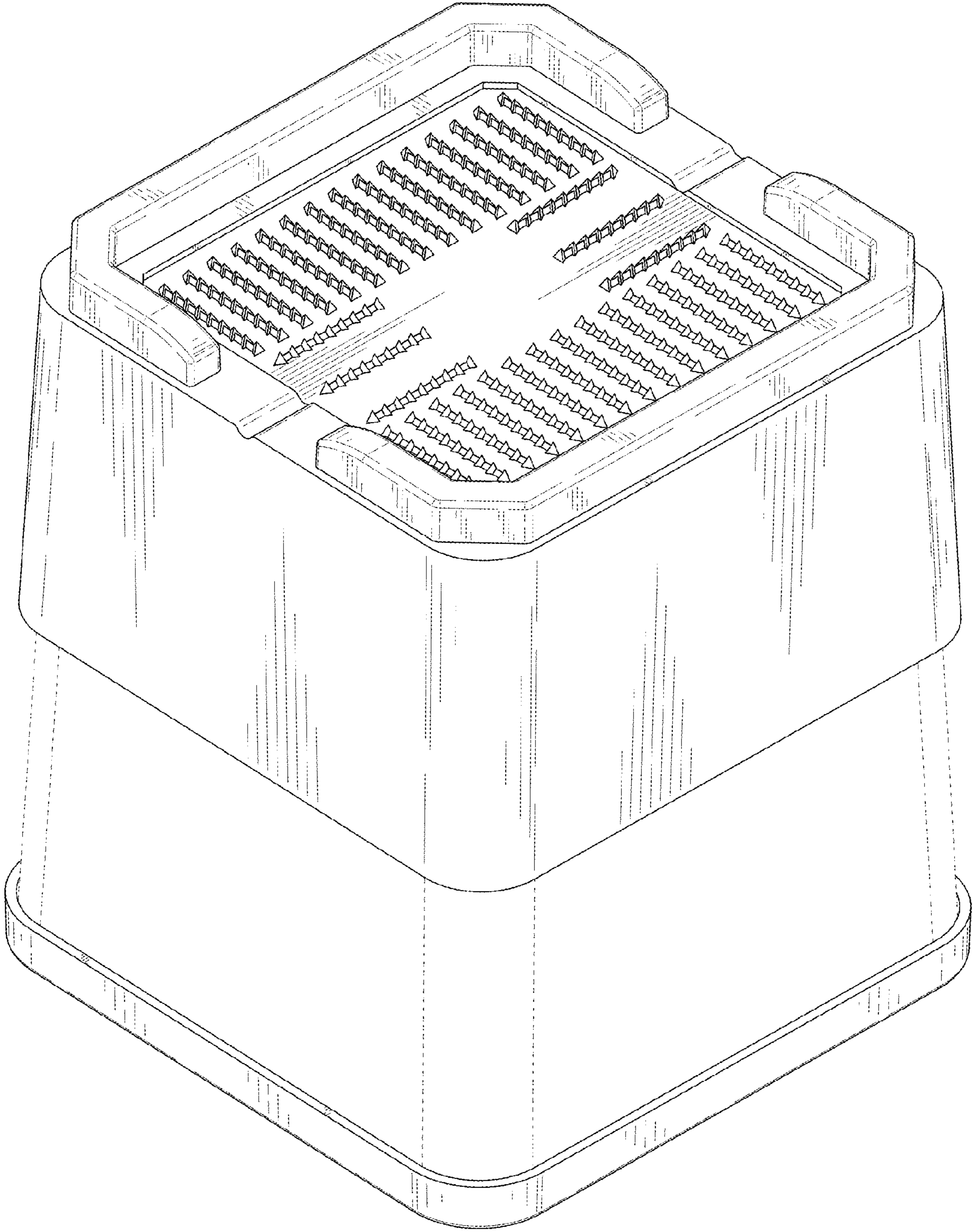


FIG. 19

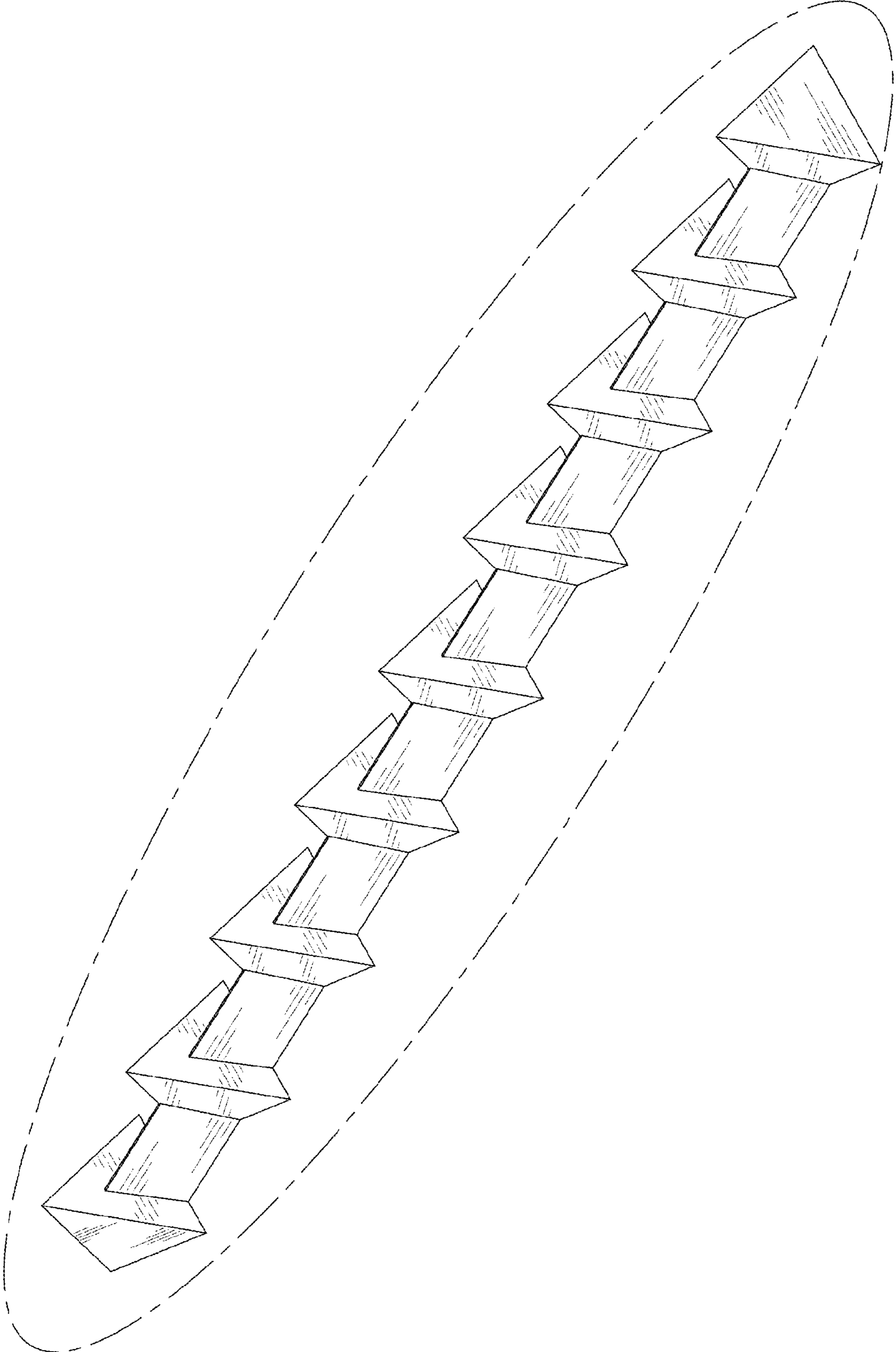


FIG. 20