



US00D977326S

(12) **United States Design Patent** (10) **Patent No.:** **US D977,326 S**  
**Gunn et al.** (45) **Date of Patent:** **\*\* Feb. 7, 2023**

(54) **SEISMIC SWAY BRACE FITTING**  
(71) Applicant: **Eaton Intelligent Power Limited**,  
Dublin (IE)  
(72) Inventors: **Josh Gunn**, Highland, IL (US); **David  
Petry**, Highland, IL (US); **Phillip  
Pruitt**, Highland, IL (US)  
(73) Assignee: **EATON INTELLIGENT POWER  
LIMITED**, Dublin (IE)  
(\*\*) Term: **15 Years**  
(21) Appl. No.: **29/690,024**  
(22) Filed: **May 3, 2019**  
(51) **LOC (14) Cl.** ..... **08-05**  
(52) **U.S. Cl.**  
USPC ..... **D8/354**  
(58) **Field of Classification Search**  
USPC ..... D8/349, 354, 373, 374, 356, 380, 381,  
D8/382, 385, 396  
CPC .... F16B 37/045; F16B 35/06; F16B 37/0864;  
F16B 2/06  
See application file for complete search history.

7,140,579 B2 11/2006 Kirschner  
7,441,730 B2\* 10/2008 Heath ..... F16L 3/133  
248/62  
7,654,043 B2 2/2010 Heath  
(Continued)

**FOREIGN PATENT DOCUMENTS**

CN 102132079 A 7/2011  
CN 104736859 A 6/2015  
(Continued)

**OTHER PUBLICATIONS**

International Search Report and Written Opinion for Application  
No. PCT/EP2020/025202, dated Aug. 3, 2020, 12 pages, Rijswijk,  
The Netherlands.

(Continued)

*Primary Examiner* — Keli L Hill  
*Assistant Examiner* — Harold E Blackwell, II  
(74) *Attorney, Agent, or Firm* — Stinson LLP

(57) **CLAIM**

The ornamental design for a seismic sway brace fitting, as  
shown and described.

(56) **References Cited**

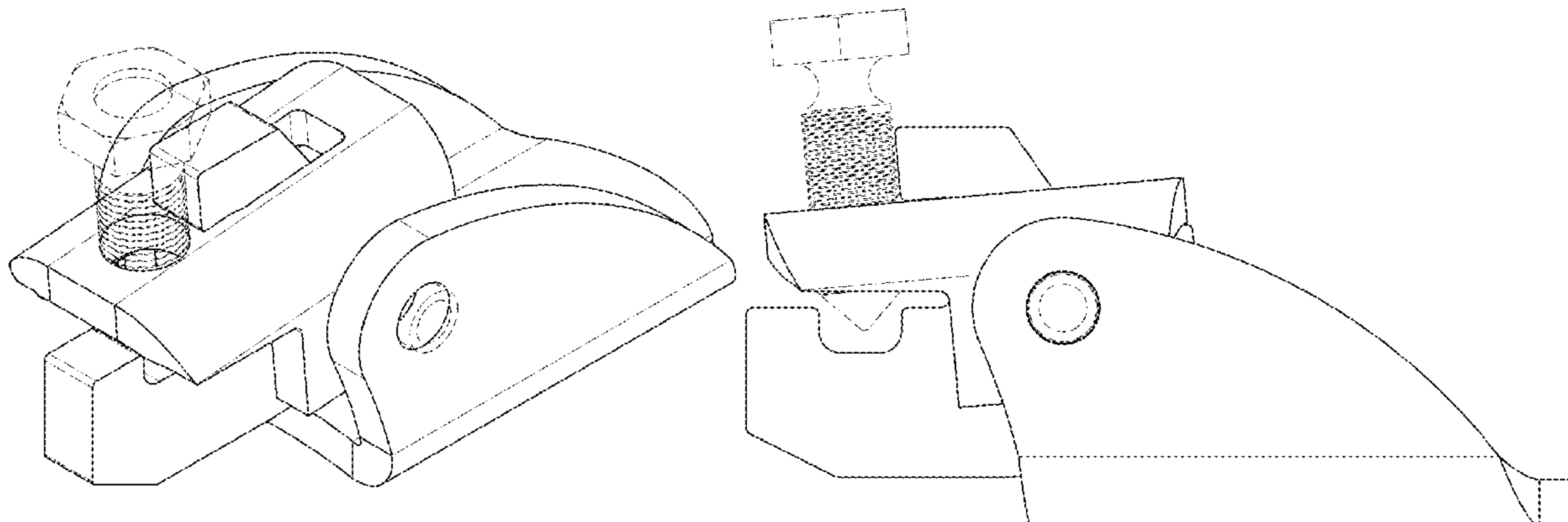
**U.S. PATENT DOCUMENTS**

2,699,601 A \* 1/1955 Darnell ..... F16L 3/1218  
248/231.71  
3,733,655 A 5/1973 Kolibar  
5,110,074 A 5/1992 Deguchi  
6,273,372 B1\* 8/2001 Heath ..... F16L 3/243  
248/62  
6,415,560 B1 7/2002 Rinderer  
6,629,678 B1\* 10/2003 Kirschner ..... F16L 3/243  
248/228.6  
6,708,966 B1 3/2004 Traudt  
6,837,010 B2 1/2005 Powell et al.  
6,896,226 B2 5/2005 Heath  
7,097,141 B2\* 8/2006 Heath ..... F16B 2/10  
248/62

**DESCRIPTION**

FIG. 1 is a perspective view of a seismic sway brace fitting  
showing my new design;  
FIG. 2 is a front elevational view thereof;  
FIG. 3 is a right elevational view thereof;  
FIG. 4 is a top plan view thereof;  
FIG. 5 is a rear elevational view thereof;  
FIG. 6 is a left elevational view thereof; and,  
FIG. 7 is a bottom plan view thereof.  
The broken lines in the drawings illustrate portions of the  
seismic sway brace fitting, which form no part of the  
claimed design.

**1 Claim, 7 Drawing Sheets**



(56)

References Cited

U.S. PATENT DOCUMENTS

7,971,838 B2 \* 7/2011 Osborn ..... F24F 13/0254  
248/231.71

8,070,113 B1 12/2011 Kirschner

8,534,625 B2 9/2013 Heath et al.

8,726,607 B1 5/2014 Kirschner

9,052,038 B2 6/2015 Radzik

9,163,422 B2 10/2015 Heath

9,239,067 B2 \* 1/2016 Heath ..... F16L 3/24

9,611,874 B2 \* 4/2017 Heath ..... F16L 3/24

9,683,681 B2 6/2017 Heath et al.

9,746,011 B2 8/2017 Jiang

9,777,870 B2 10/2017 Roth

9,834,921 B2 12/2017 Nehls

10,036,487 B2 7/2018 Duggan

10,054,143 B2 8/2018 Allmon

D858,262 S \* 9/2019 Wilson ..... D8/373

10,605,382 B2 \* 3/2020 Ohnemus ..... F16L 3/1091

D899,227 S \* 10/2020 Tang ..... D8/367

D899,229 S \* 10/2020 Tang ..... D8/367

10,816,108 B2 \* 10/2020 Ohnemus ..... F16B 7/18

D905,537 S \* 12/2020 Marsden ..... D8/354

D911,151 S \* 2/2021 Smith ..... D8/354

2004/0031896 A1 \* 2/2004 Heath ..... F16B 2/06  
248/351

2005/0189452 A1 \* 9/2005 Heath ..... F16B 2/10  
248/62

2006/0024127 A1 2/2006 Heath

2009/0183443 A1 7/2009 Osborn et al.

2009/0183462 A1 \* 7/2009 Osborn ..... F16B 2/065  
52/745.21

2012/0305723 A1 \* 12/2012 Heath ..... F16B 35/005  
248/228.1

2013/0214098 A1 \* 8/2013 Greenfield ..... F16L 3/11  
248/62

2015/0252916 A1 9/2015 Heath et al.

2017/0122491 A1 \* 5/2017 Mancuso ..... G01D 11/30

2018/0045230 A1 2/2018 Tourville et al.

2018/0073530 A1 3/2018 Fletcher et al.

2020/0346323 A1 \* 11/2020 Gunn ..... F16L 3/11

2022/0049518 A1 \* 2/2022 Pruitt ..... F16L 3/24

FOREIGN PATENT DOCUMENTS

CN 205712554 U 11/2016

CN 106760021 A 5/2017

CN 206145269 U 5/2017

CN 206570940 U 10/2017

CN 108825873 A 11/2018

GB 1075795 A 7/1967

GB 1332711 A 10/1973

GB 2247273 A 2/1992

GB 2475840 A 6/2011

JP 2004116658 A 4/2004

JP 2009161938 A 7/2009

JP 6329381 B2 5/2018

KR 20190009587 A 1/2019

KR 20190015856 A 2/2019

OTHER PUBLICATIONS

First Office Action and Search Report from CN202080038517.3, dated Oct. 31, 2022, 28 pages.

\* cited by examiner

FIG. 1

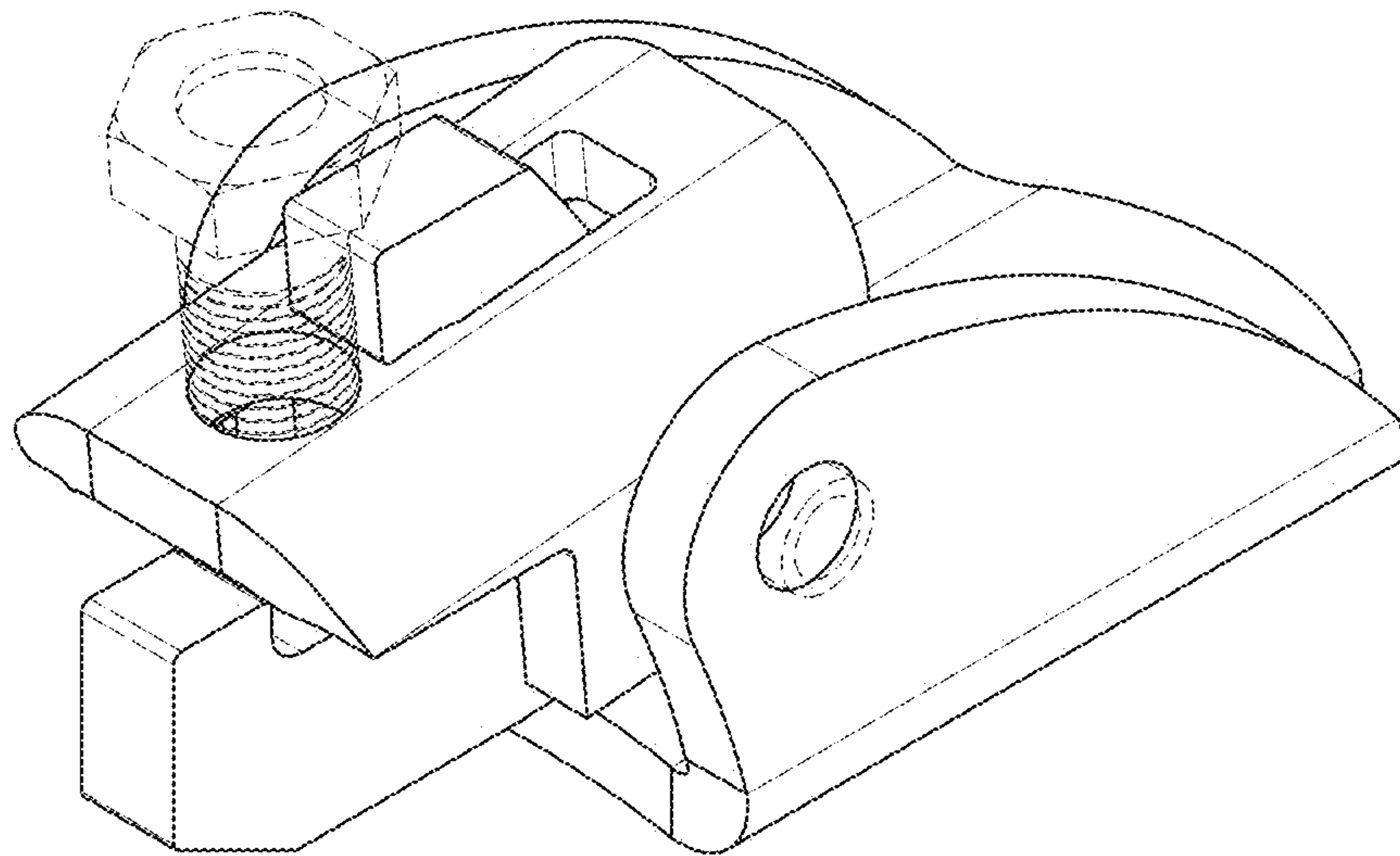


FIG. 2

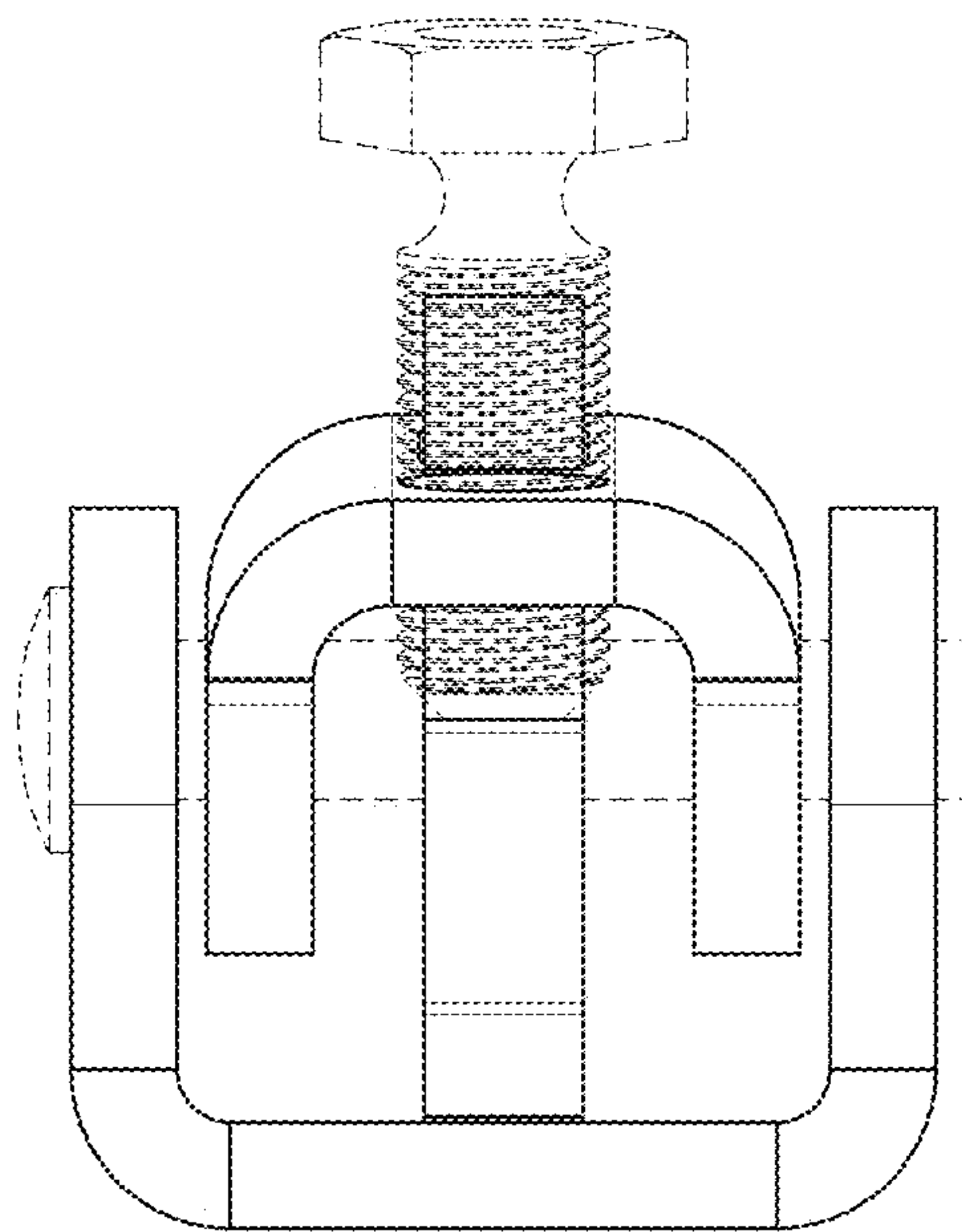


FIG. 3

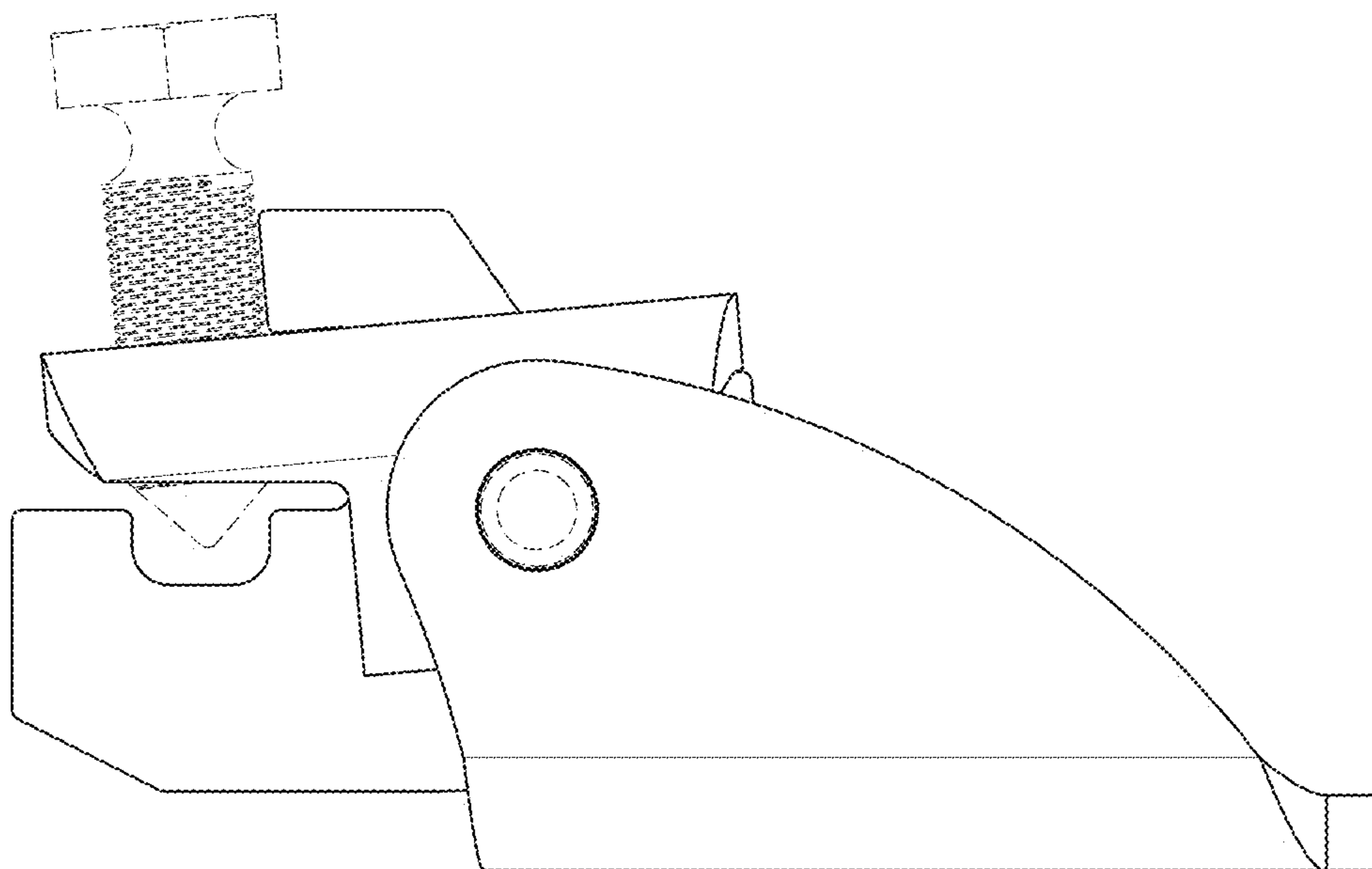




FIG. 4

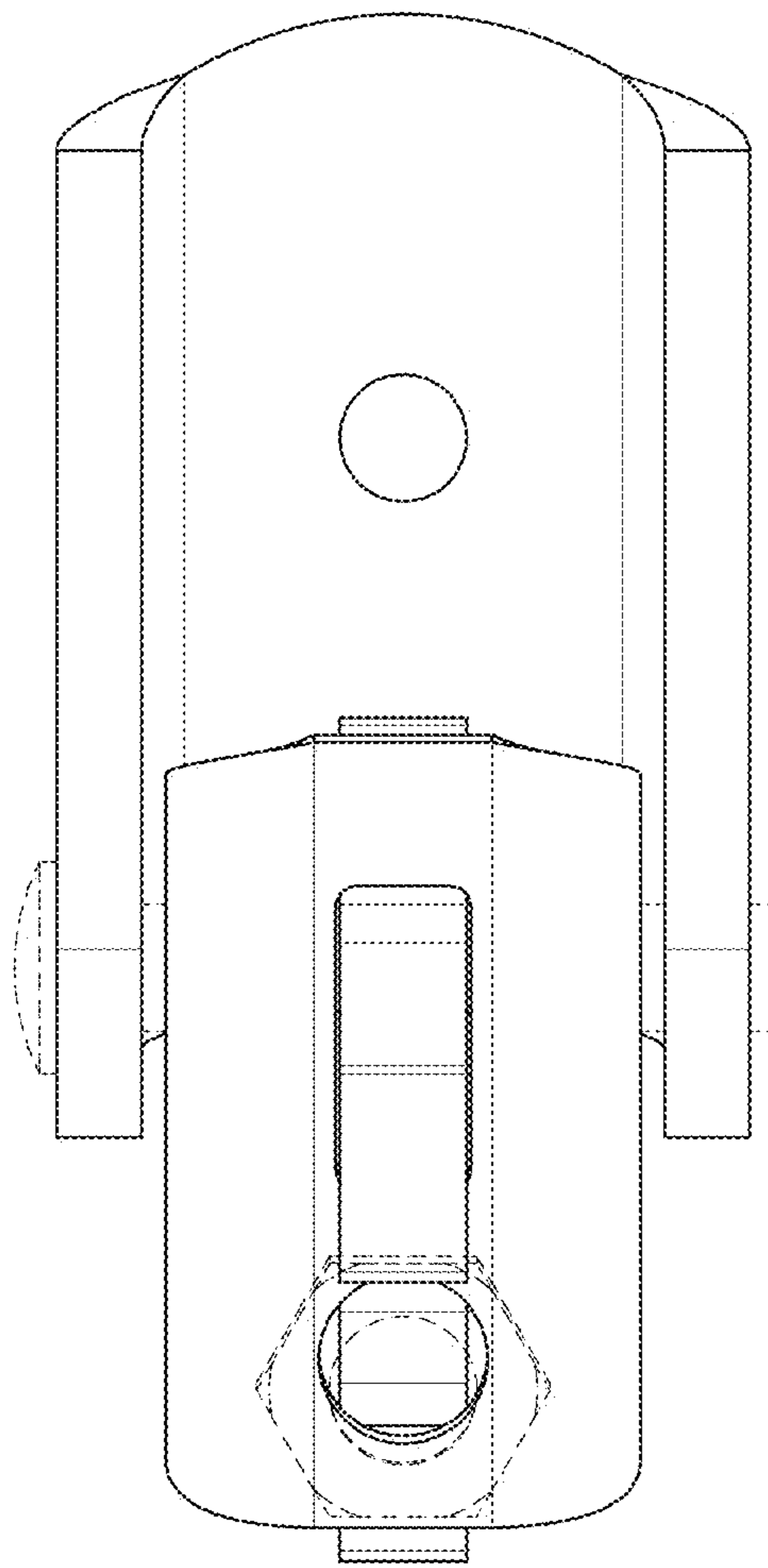


FIG. 5

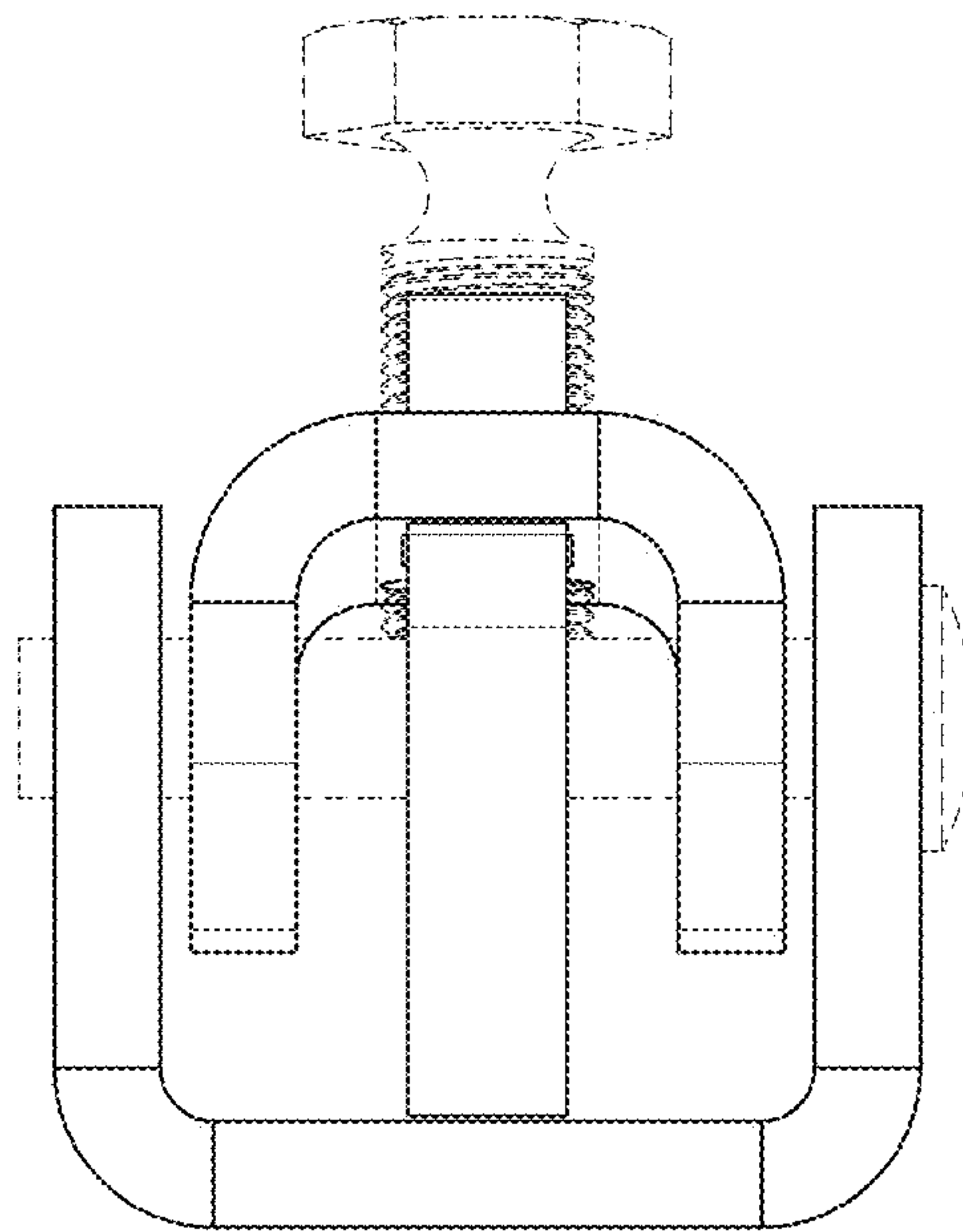


FIG. 6

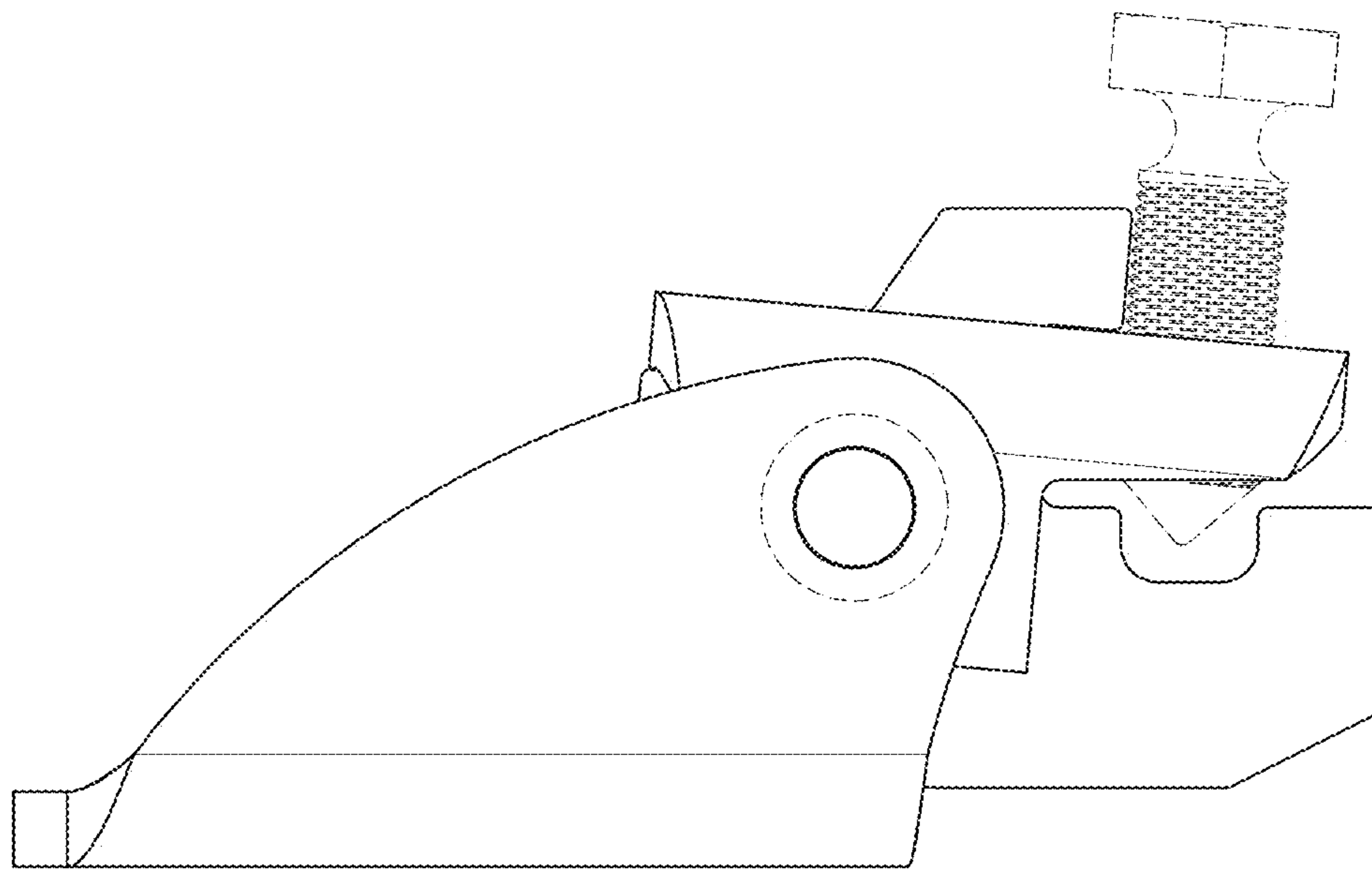




FIG. 7

