



US00D977322S

(12) **United States Design Patent**
Yang

(10) **Patent No.:** **US D977,322 S**

(45) **Date of Patent:** **** Feb. 7, 2023**

(54) **CORDLESS DRILL**
(71) Applicant: **Zhuhai Sharp-Group Enterprise Co., Ltd., Zhuhai (CN)**
(72) Inventor: **Xiaofei Yang, Guangzhou (CN)**
(73) Assignee: **ZHUHAI SHARP-GROUP ENTERPRISE CO., LTD., Zhuhai (CN)**

D543,081 S *	5/2007	Watson	D8/68
D559,061 S *	1/2008	Concari	D8/68
D577,272 S *	9/2008	Murray	D8/68
D587,544 S *	3/2009	Lopano	D8/68
D589,317 S *	3/2009	Okuda	D8/68
D608,173 S *	1/2010	Ng	D8/68
D839,707 S *	2/2019	Waldron	D8/68
D843,804 S *	3/2019	Croghan	D8/68
D847,600 S *	5/2019	Waldron	D8/68
D898,536 S *	10/2020	Li	D8/68
D937,063 S *	11/2021	Kawase	D8/68
2002/0096341 A1 *	7/2002	Hagan	B25B 23/14 173/217
2002/0096343 A1 *	7/2002	Potter	B25F 5/001 173/178
2005/0061524 A1 *	3/2005	Hagan	B25F 5/02 173/217
2006/0096771 A1 *	5/2006	Brotto	B25B 21/00 173/217

(**) Term: **15 Years**

(21) Appl. No.: **29/756,543**

(22) Filed: **Oct. 29, 2020**

(30) **Foreign Application Priority Data**

Sep. 28, 2020 (CN) 202030582911.6

(51) **LOC (14) Cl.** **08-05**

(52) **U.S. Cl.**
USPC **D8/68**

(58) **Field of Classification Search**
USPC D8/61, 67, 68
CPC B62D 23/005; B62D 29/00; B62D 29/043;
B62D 31/00; B62D 33/046; B62D 35/00;
B62D 35/001; B60Q 1/0005
See application file for complete search history.

(56) **References Cited**

U.S. PATENT DOCUMENTS

D359,215 S *	6/1995	Zurwelle	D8/68
D402,871 S *	12/1998	Glowers	D8/68
D435,414 S *	12/2000	Etter	D8/68
D437,759 S *	2/2001	Breit	D8/68
6,308,378 B1 *	10/2001	Mooty	B23D 51/01 408/124
D482,253 S *	11/2003	Cooper	D8/68
D501,384 S *	2/2005	Wright	D8/68
D539,110 S *	3/2007	Okuda	D8/68

* cited by examiner

Primary Examiner — Darlington Ly

(74) *Attorney, Agent, or Firm* — Berg Hill Greenleaf Ruscitti LLP

(57) **CLAIM**

The ornamental design for a cordless drill, as shown and described.

DESCRIPTION

FIG. 1: is a right side elevation view of a cordless drill embodying my new design;

FIG. 2: is a left side elevation view thereof;

FIG. 3: is a front and left side perspective view thereof;

FIG. 4: is a rear elevation view of thereof;

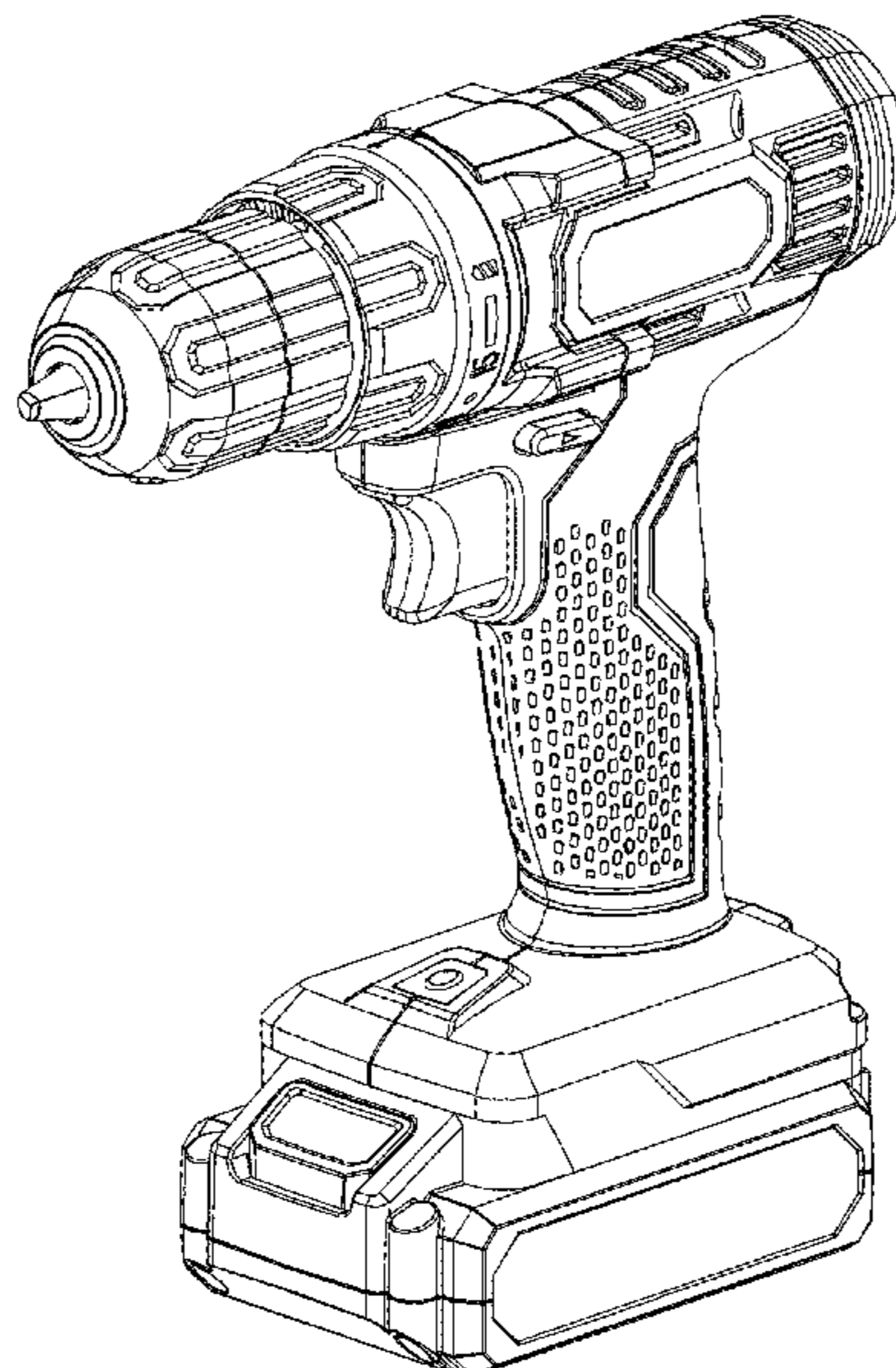
FIG. 5: is a front elevation view of thereof;

FIG. 6: is a bottom plan view of thereof; and,

FIG. 7: is a top plan view thereof.

The broken lines in the drawings illustrate portions of the cordless drill that form no part of the claimed design.

1 Claim, 7 Drawing Sheets



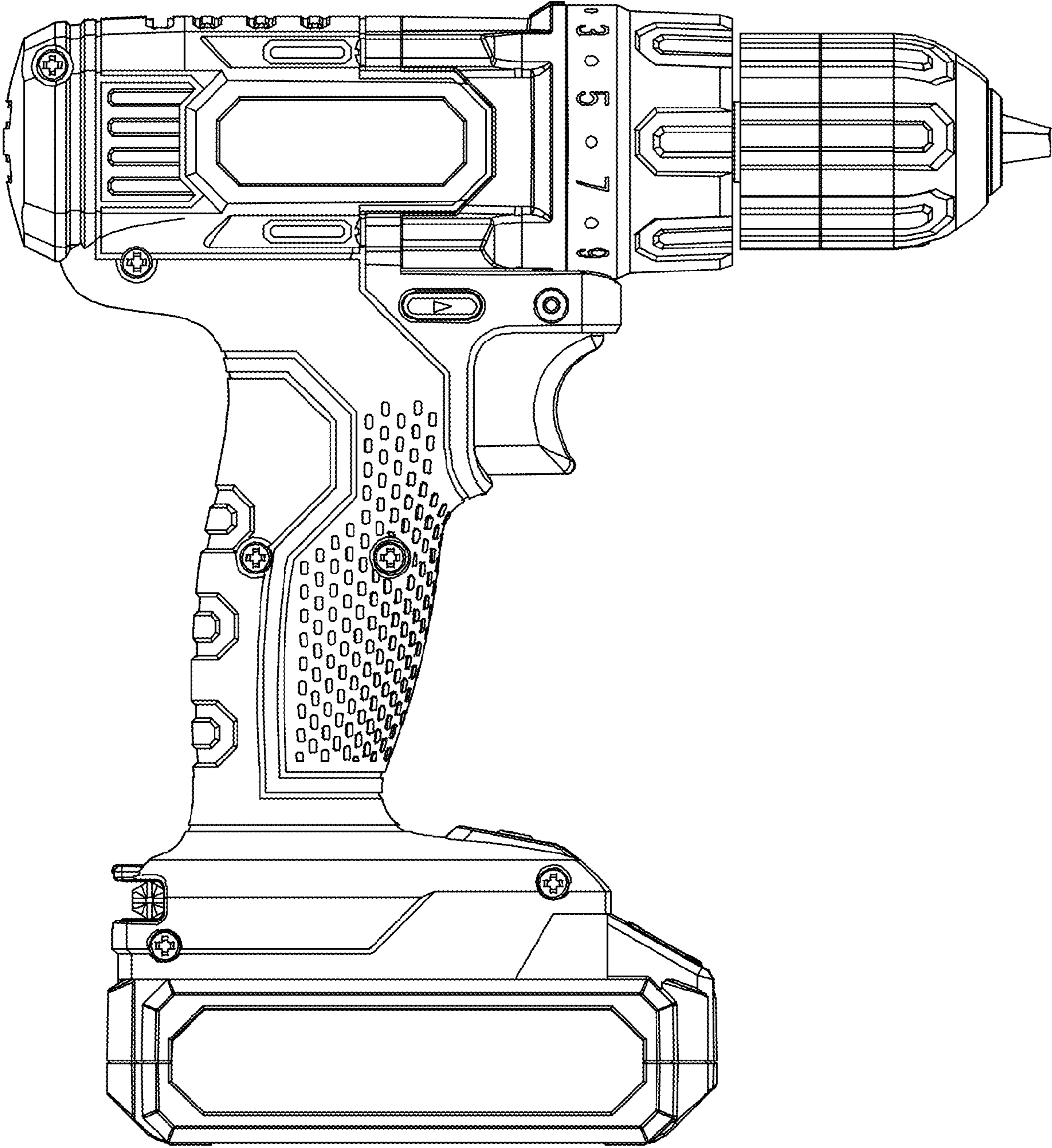


FIG. 1

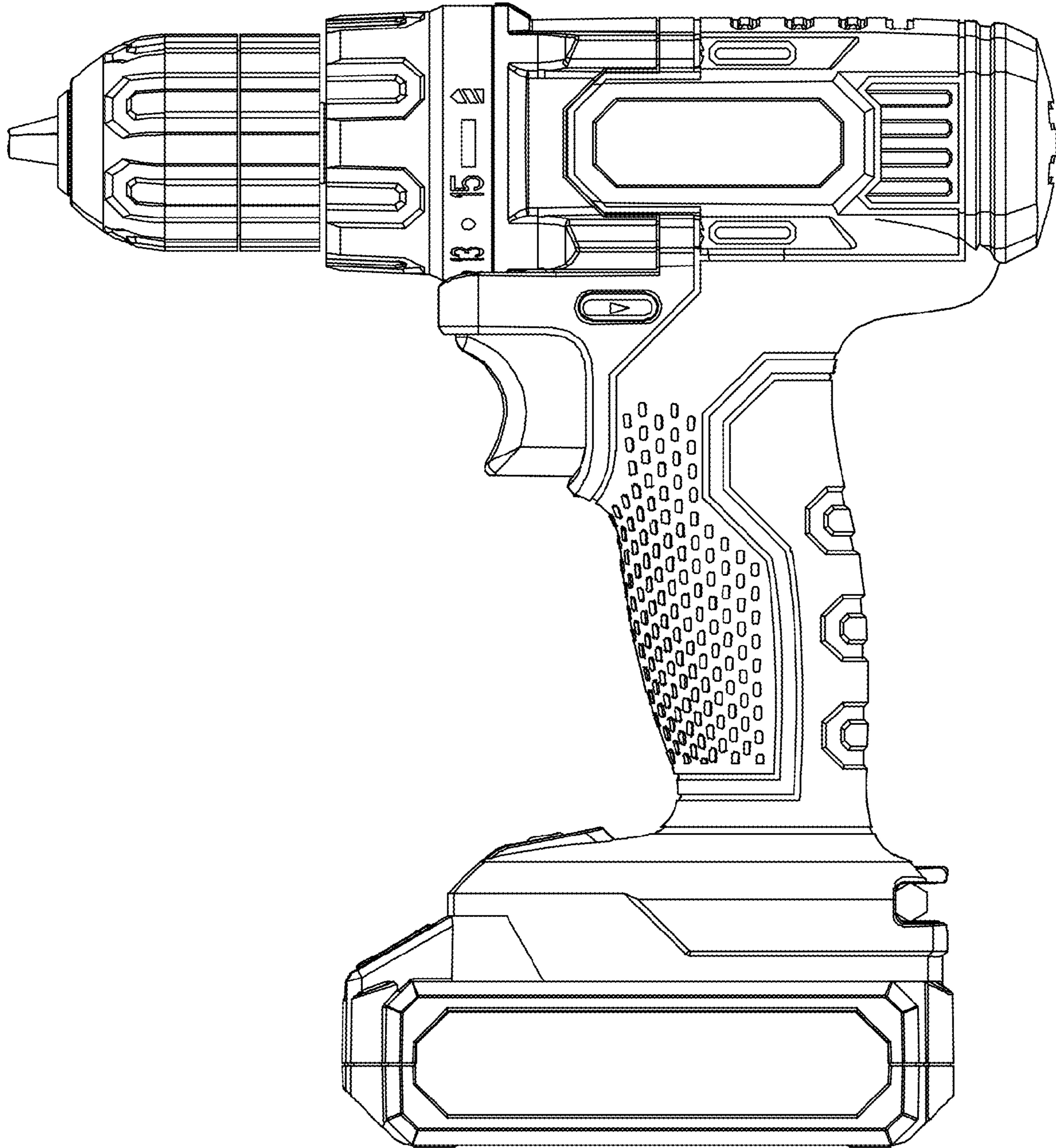


FIG. 2

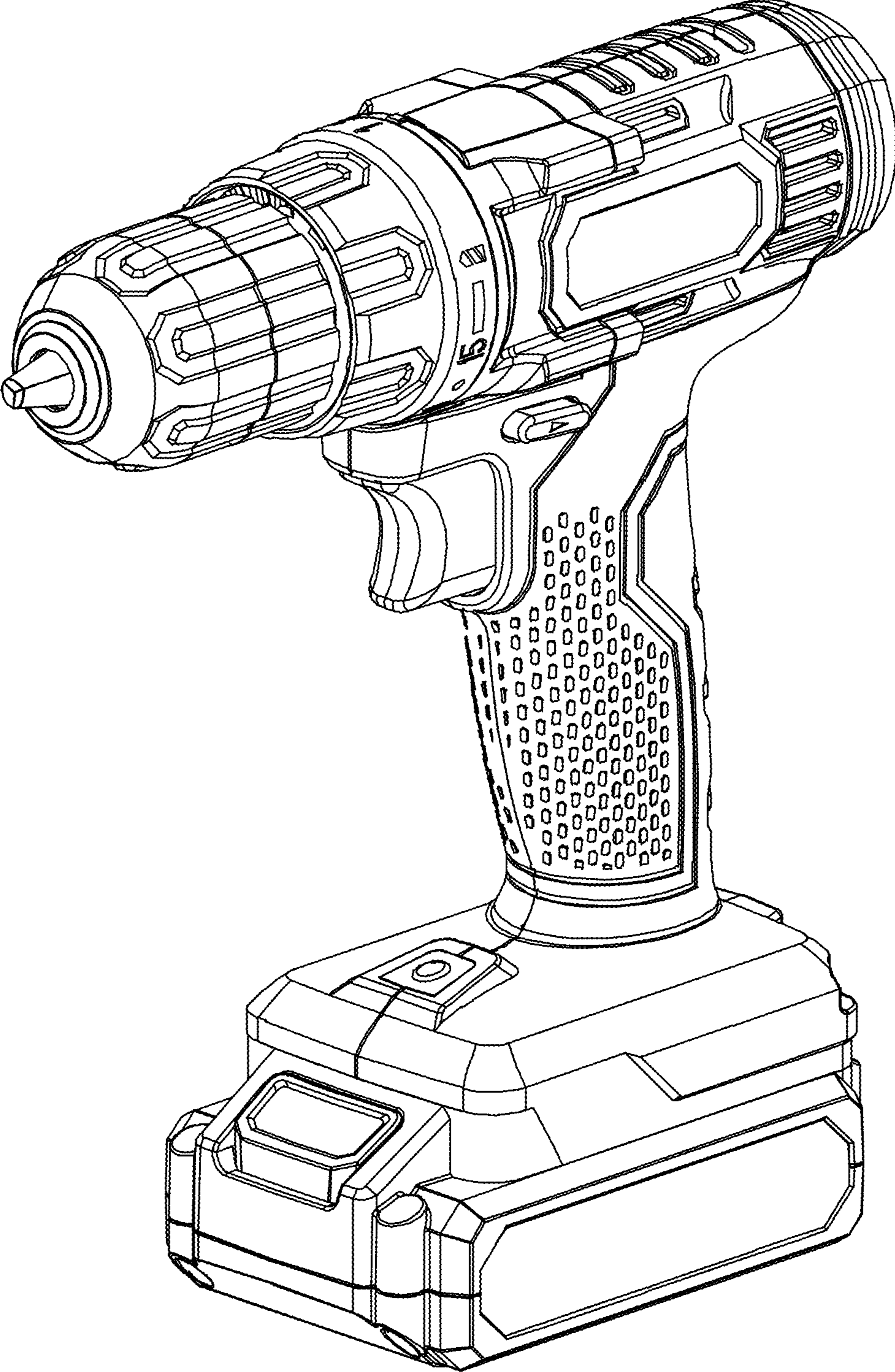


FIG. 3

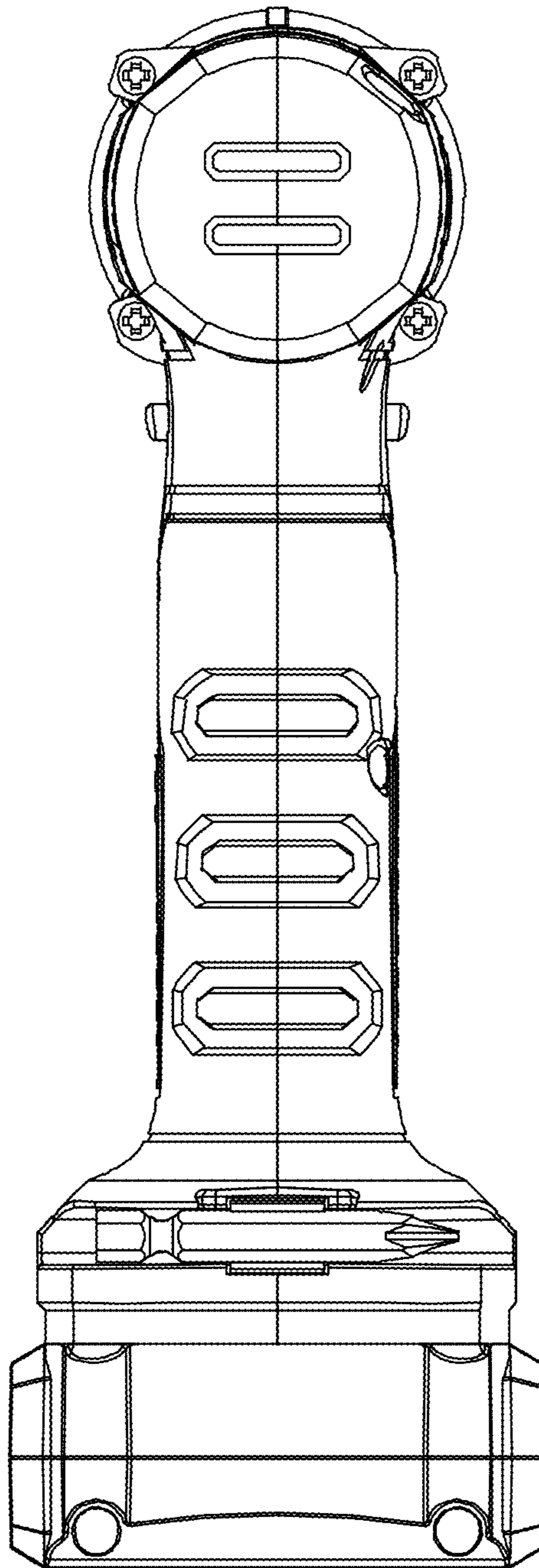


FIG. 4

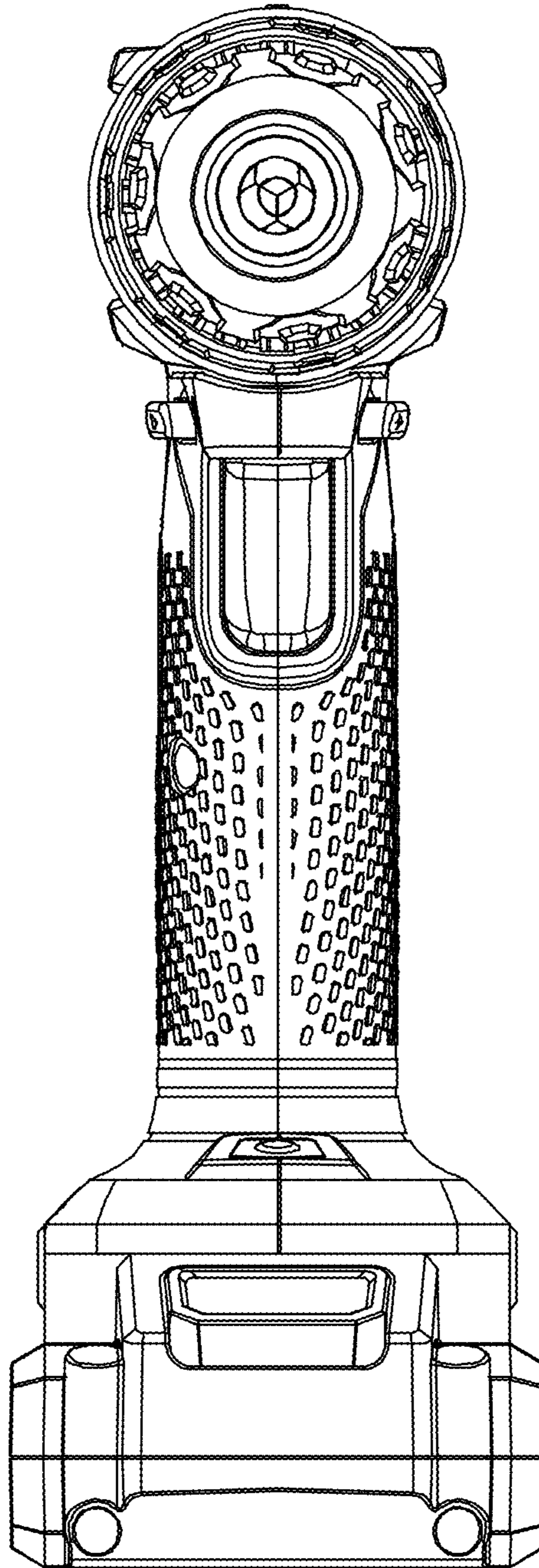


FIG. 5

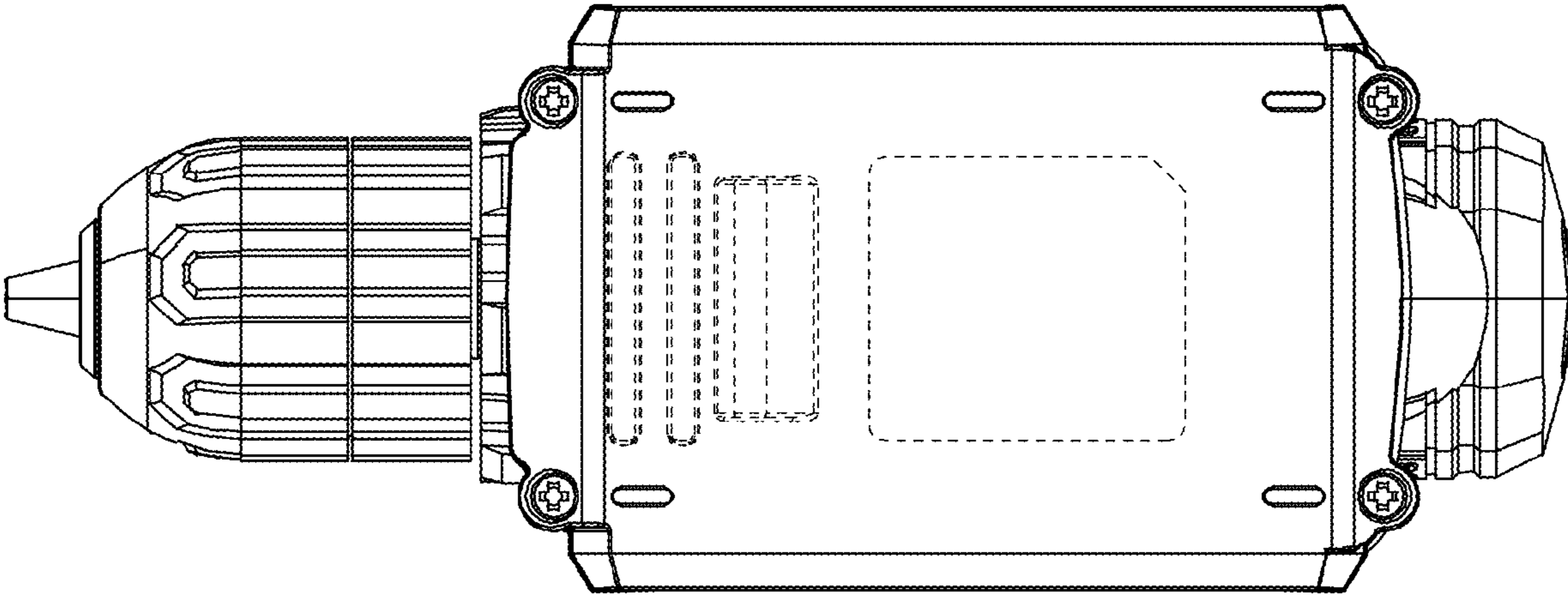


FIG. 6

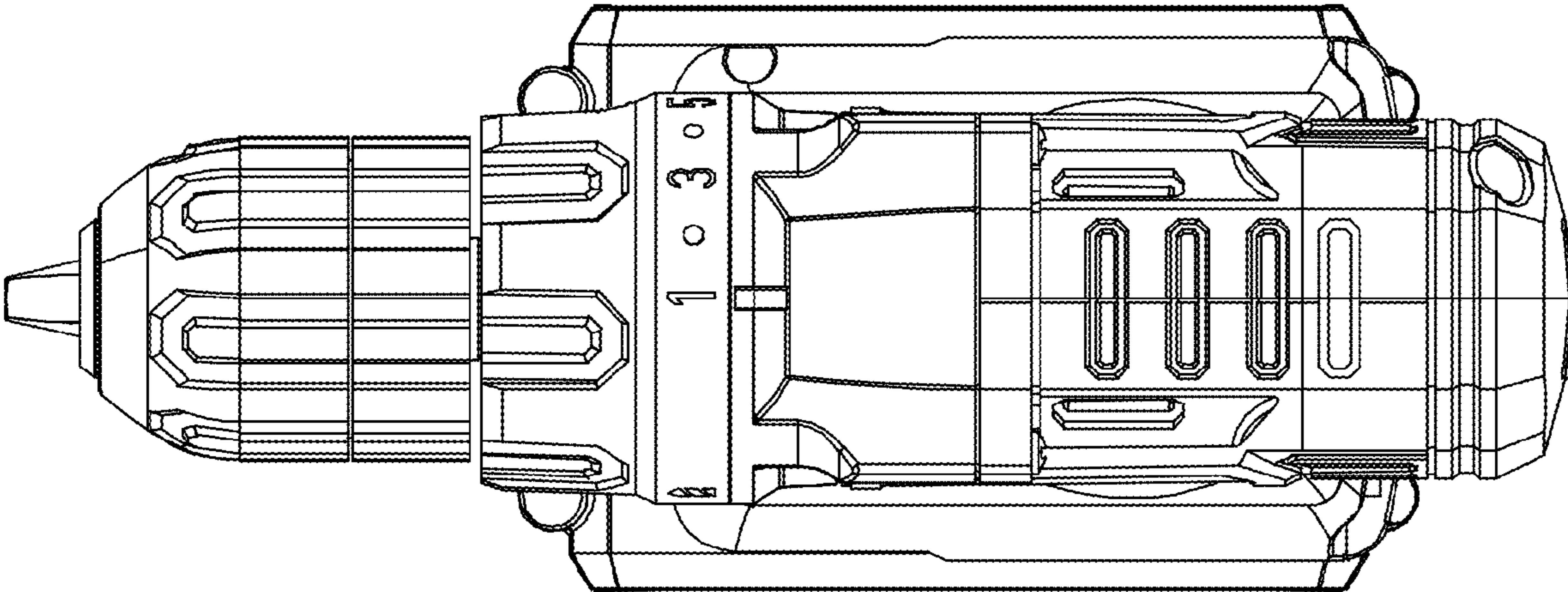


FIG. 7