



US00D977321S

(12) **United States Design Patent**
Stewart

(10) **Patent No.:** **US D977,321 S**

(45) **Date of Patent:** **** Feb. 7, 2023**

- (54) **GRIPPER FINGER PAD**
- (71) Applicant: **The Heil Co.**, Chattanooga, TN (US)
- (72) Inventor: **Bryan Stewart**, Chattanooga, TN (US)
- (73) Assignee: **The Heil Co.**, Chattanooga, TN (US)
- (**) Term: **15 Years**

5,846,044 A * 12/1998 Smith B65F 3/048
414/408
D476,208 S * 6/2003 Lee D8/52
D609,524 S * 2/2010 O'Neal D7/688
D651,225 S * 12/2011 Koike D15/199
D651,626 S * 1/2012 Koike D15/199
D651,881 S * 1/2012 Blockburger D8/52
D685,974 S * 7/2013 Price D34/28
8,833,823 B2 * 9/2014 Price B65F 3/04
294/198

(Continued)

- (21) Appl. No.: **29/767,934**
- (22) Filed: **Jan. 26, 2021**
- (51) **LOC (14) Cl.** **08-05**
- (52) **U.S. Cl.**
USPC **D8/52**
- (58) **Field of Classification Search**
USPC D12/15, 42, 48, 49, 50, 51; D8/4, 5, 52,
D8/54, 55, 56, 57, 58, 88, 89
CPC B25B 7/02; B25B 7/04; B25B 7/06; B25B
7/08; B25B 7/10; B25B 7/12; B25B
7/123; B25B 7/14
See application file for complete search history.

(56) **References Cited**

U.S. PATENT DOCUMENTS

3,667,797 A 6/1972 Kilby
4,175,903 A 11/1979 Carson
4,461,608 A * 7/1984 Boda B65F 3/041
414/408
5,020,844 A * 6/1991 Pickrell B65G 65/23
294/902
5,092,731 A 3/1992 Jones et al.
5,209,537 A * 5/1993 Smith B65F 1/0046
294/200
5,513,942 A 5/1996 Pickrell
5,562,386 A * 10/1996 Browning B65F 3/04
414/408
5,577,877 A * 11/1996 Smith B65F 3/048
414/408
5,711,565 A 1/1998 Smith et al.

OTHER PUBLICATIONS

“Garbage Truck Robot Arms” Heil Environmental Industries., posted date Jan. 7, 2022 [online], [retrieved on Sep. 27, 2022]. Retrieved from the Internet <URL: <https://jalopnik.com/heres-how-garbage-truck-robot-arms-work-an-explainer-1848322146>> (Year: 2022).*

(Continued)

Primary Examiner — Darlington Ly
Assistant Examiner — Nasim Abdulaziz Ali
(74) *Attorney, Agent, or Firm* — Fish & Richardson P.C.

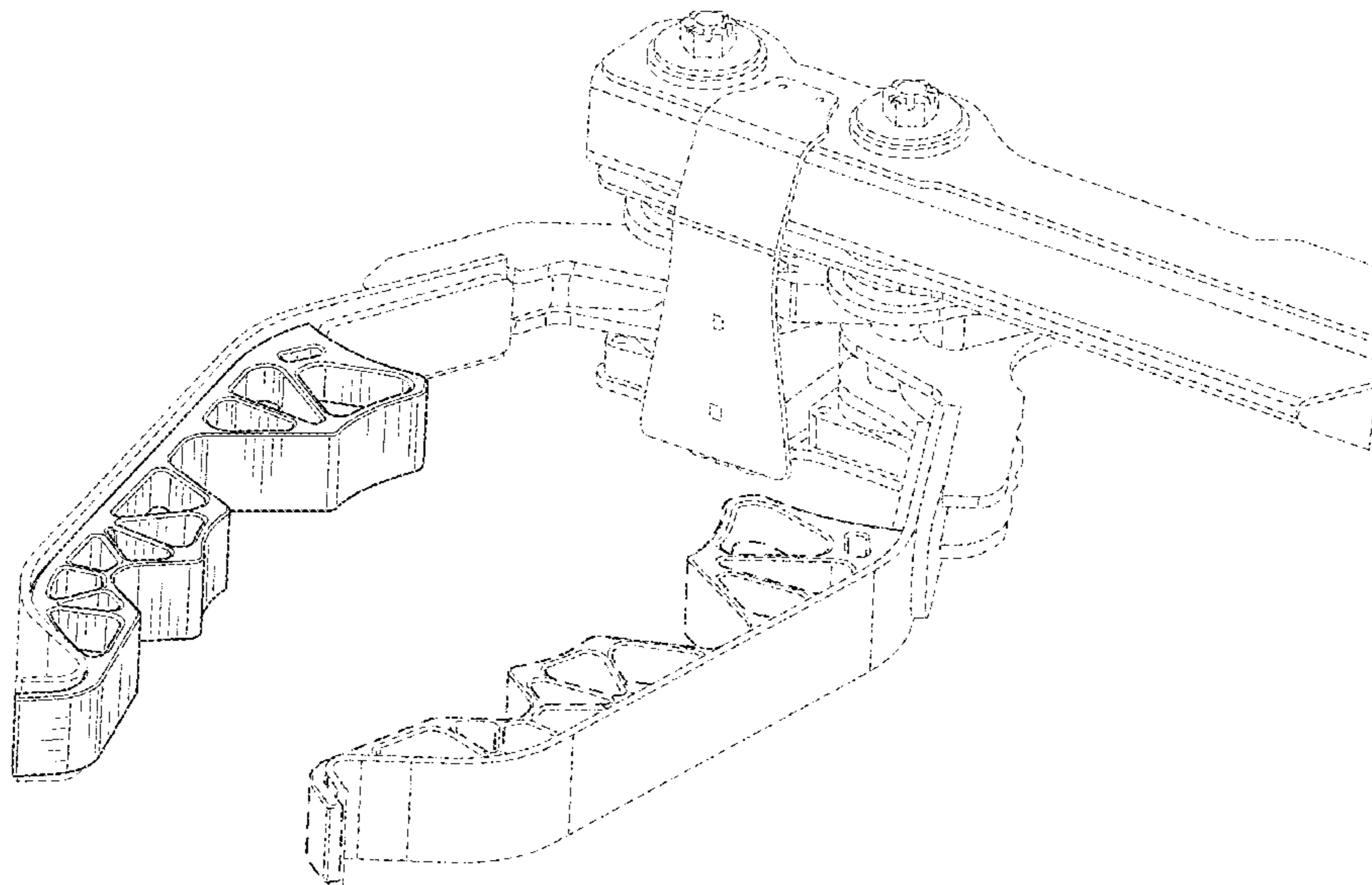
(57) **CLAIM**

The ornamental design for a gripper finger pad, as shown and described.

DESCRIPTION

FIG. 1 is a front top perspective view of my gripper finger pad;
FIG. 2 is another front top perspective view thereof;
FIG. 3 is a back view thereof;
FIG. 4 is a front view thereof;
FIG. 5 is a left side view thereof;
FIG. 6 is a right side view thereof;
FIG. 7 is a bottom view thereof; and,
FIG. 8 is a top view thereof.
The broken lines illustrate features of the gripper finger pad that form no part of the claimed design.

1 Claim, 4 Drawing Sheets



(56)

References Cited

U.S. PATENT DOCUMENTS

D717,622	S *	11/2014	Bradley	D8/33
D782,274	S *	3/2017	Herrick	D8/343
D816,138	S *	4/2018	Schulnig	D15/199
10,221,012	B2 *	3/2019	Hund, Jr.	B65F 3/04
D876,192	S *	2/2020	Su	D8/52
D940,898	S *	1/2022	Chiappetta	D24/227
2008/0083302	A1 *	4/2008	Hood	B67B 7/18
					81/3.44
2010/0095799	A1 *	4/2010	Albin	B25J 15/0213
					901/31
2010/0164243	A1 *	7/2010	Albin	B66F 9/065
					74/425
2022/0234823	A1	7/2022	Stewart		

OTHER PUBLICATIONS

“Heil® Automated Front-Load Garbage Trucks” Heil Environmental Industries., posted date Apr. 24, 2020 [online], [retrieved on Sep. 27, 2022]. Retrieved from the Internet <URL: <https://www.heil.com/type/automated-front-loaders/>> (Year: 2020).*

“Valley Craft® Economy Auto Grip Lift Truck Attachment” Global Industrial., posted date Apr. 5, 2017 [online], [retrieved on Sep. 27, 2022]. Retrieved from the Internet <URL: <https://www.globalindustrial.com/p/economy-auto-grip-lift-truck-attachment-1500-lb-cap>> (Year: 2017).*

International Search Report and Written Opinion in International Appln. No. PCT/US2021/057406, dated Feb. 1, 2022, 11 pages.

* cited by examiner

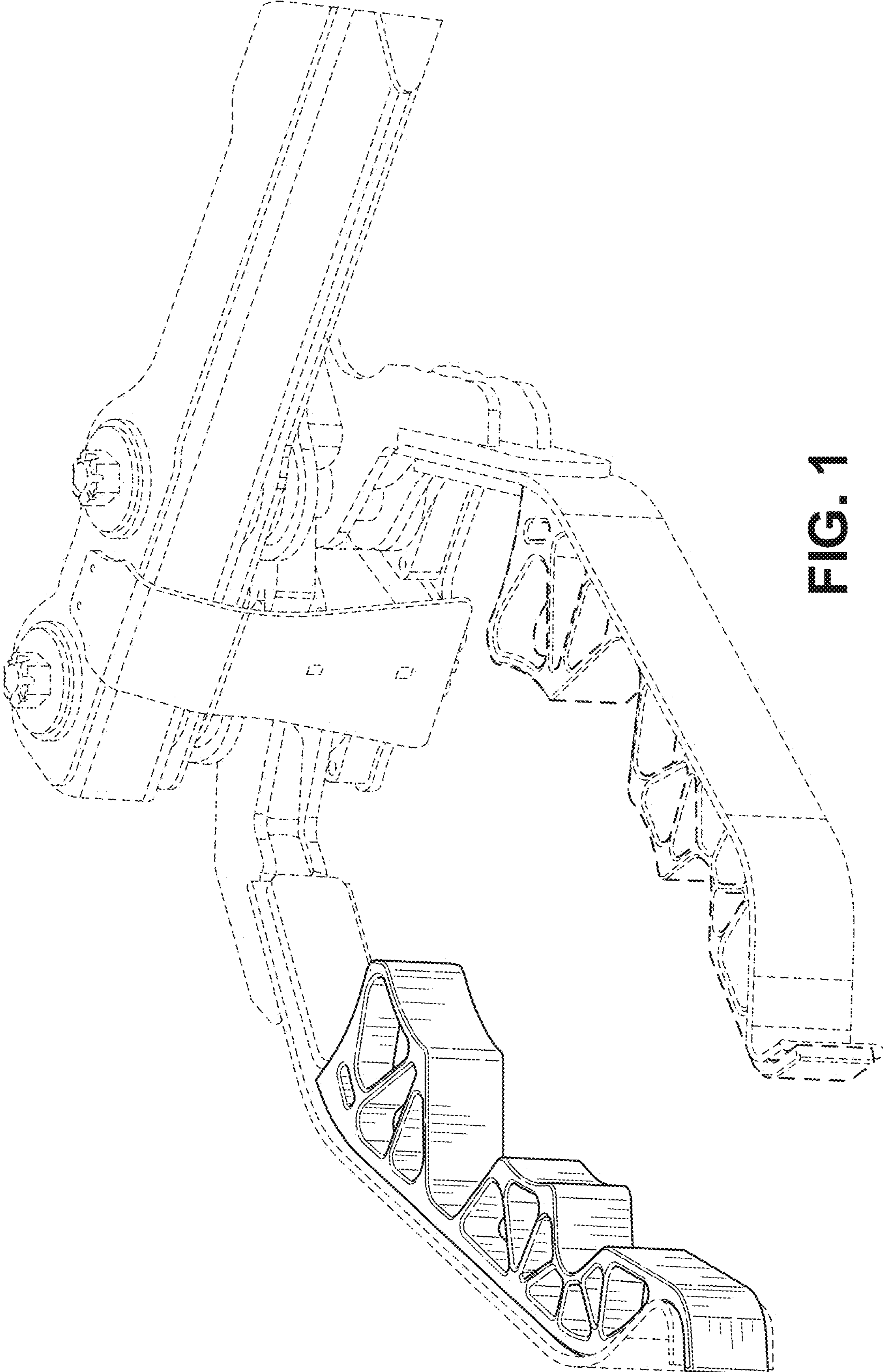


FIG. 1

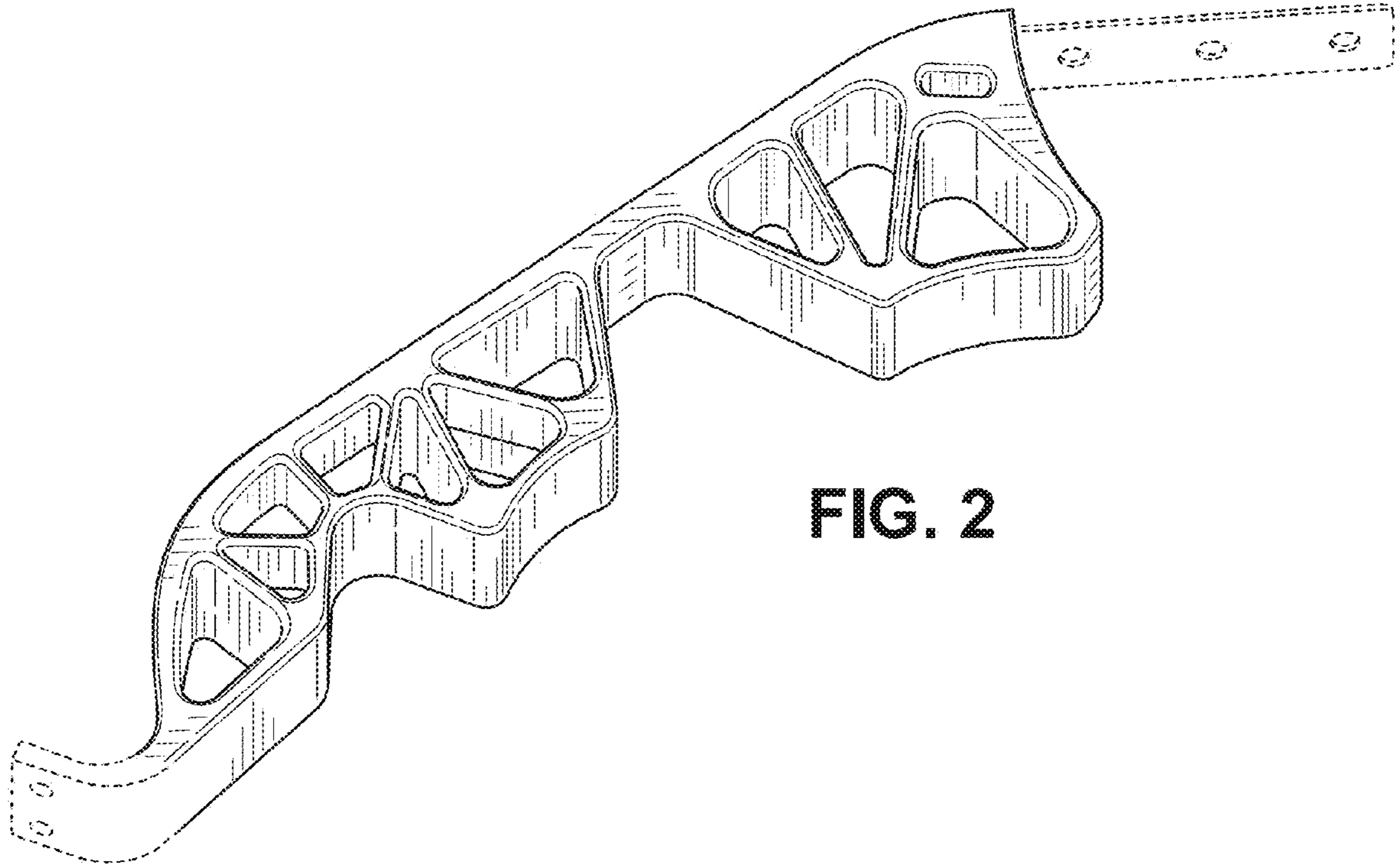


FIG. 2

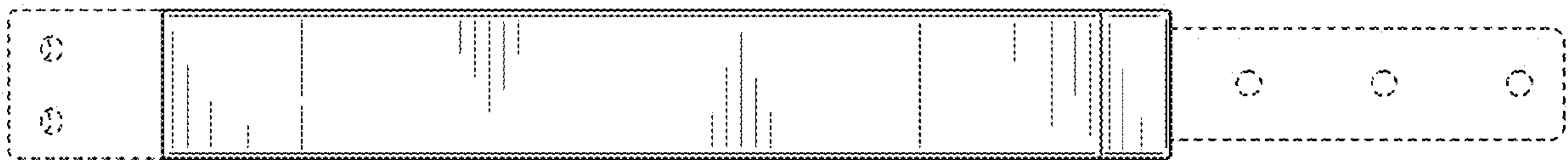


FIG. 3

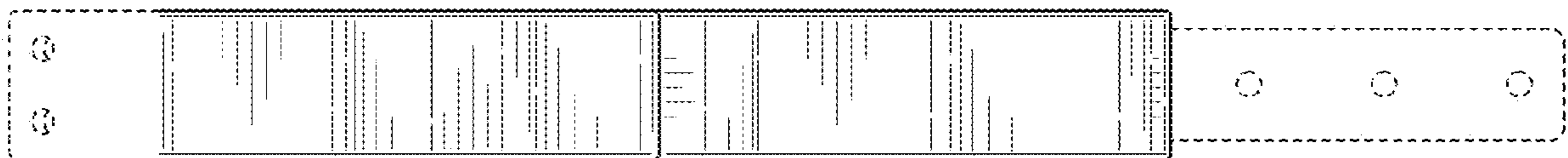


FIG. 4

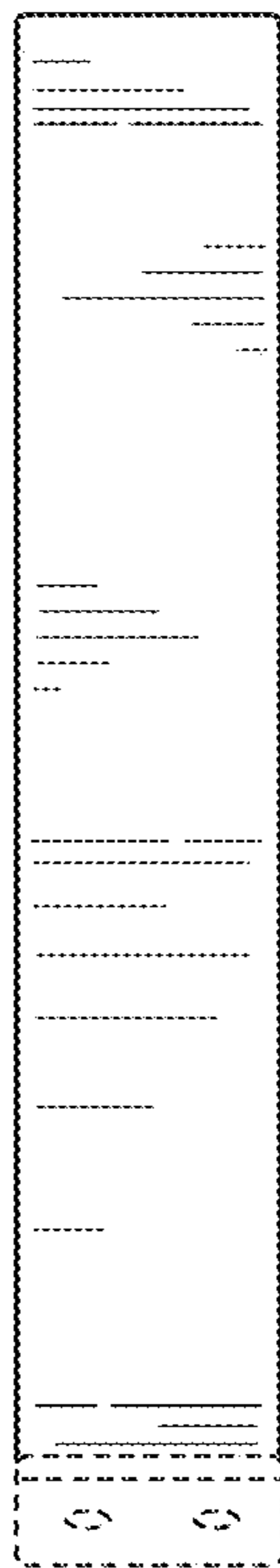


FIG. 5

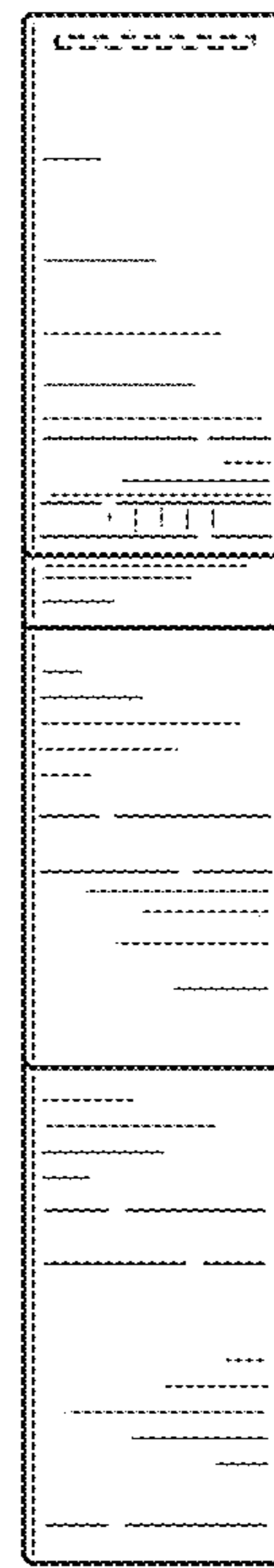


FIG. 6

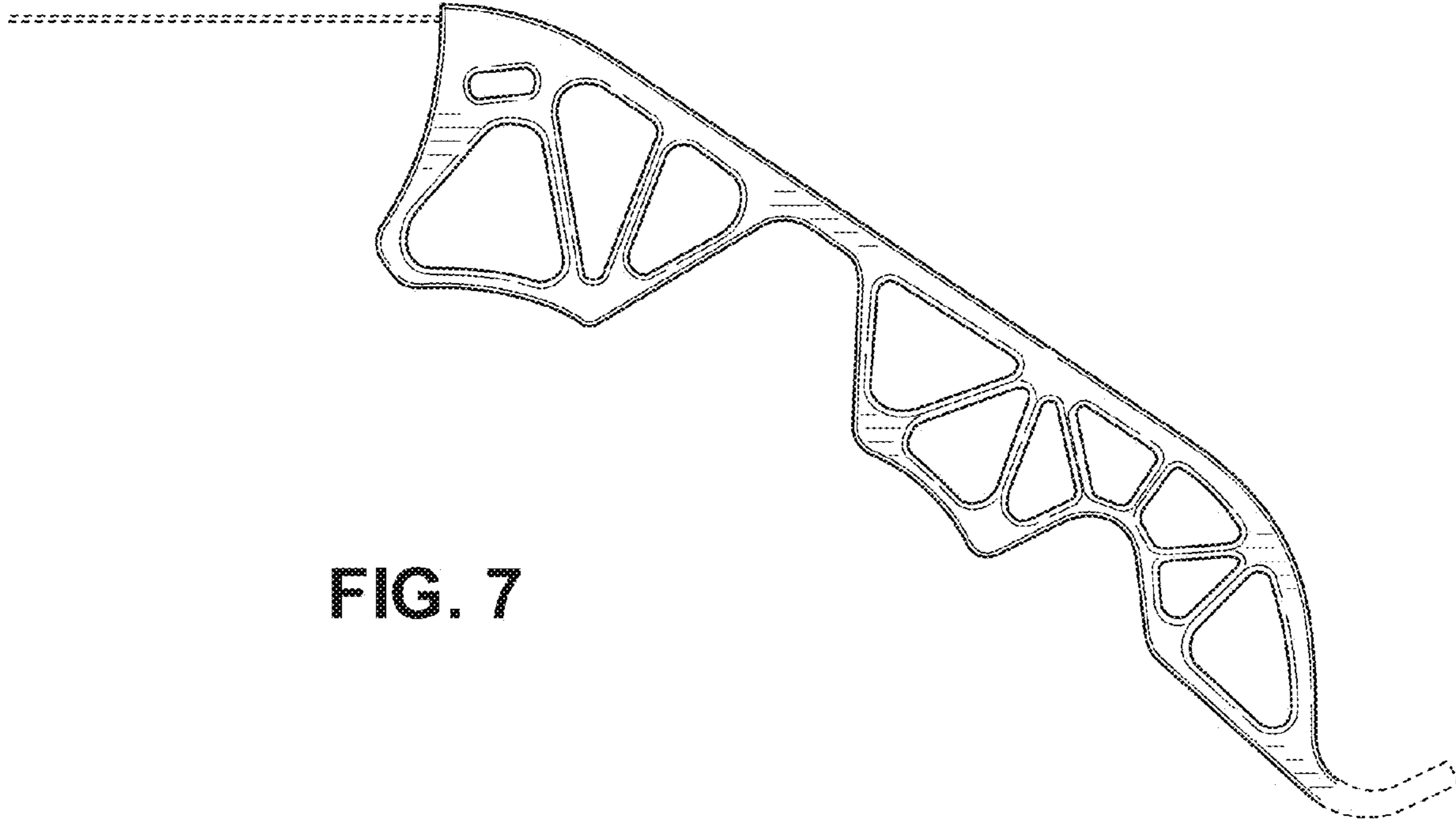


FIG. 7

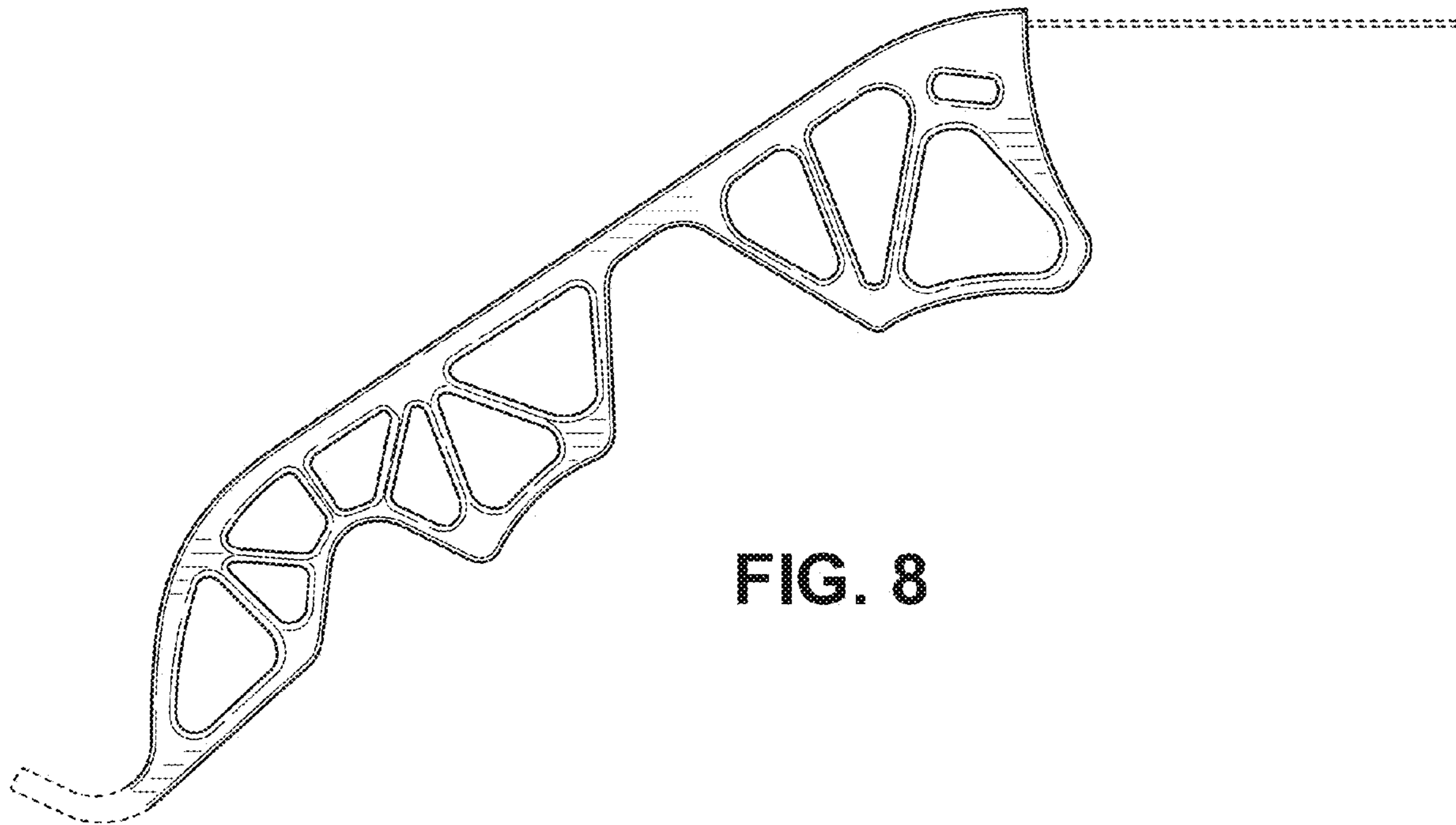


FIG. 8