



US00D977319S

(12) **United States Design Patent**
Chen

(10) **Patent No.:** **US D977,319 S**

(45) **Date of Patent:** **** Feb. 7, 2023**

(54) **GROW BOX**
(71) Applicant: **4D BIOS Co., Ltd.**, Zhejiang (CN)
(72) Inventor: **Nan Chen**, Zhejiang (CN)
(73) Assignee: **4D BIOS Co., Ltd.**, Hangzhou (CN)
(**) Term: **15 Years**

D885,858 S * 6/2020 Wittman A01G 9/00
D11/155
D887,889 S * 6/2020 Khwaja D11/155
D887,892 S * 6/2020 Liu D11/155
D924,724 S * 7/2021 Li D11/155
D934,482 S * 10/2021 Huang D26/80
D954,596 S * 6/2022 Li D11/144
2014/0208642 A1* 7/2014 Henman A01G 9/00
47/19.2
2019/0246582 A1* 8/2019 Tong A01G 29/00

(Continued)

Primary Examiner — Calvin E Vansant

(21) Appl. No.: **29/705,471**

(22) Filed: **Sep. 12, 2019**

(30) **Foreign Application Priority Data**

Mar. 14, 2019 (CN) 201930104675.4

(51) **LOC (14) Cl.** **08-01**

(52) **U.S. Cl.**
USPC **D8/1**

(58) **Field of Classification Search**
USPC D8/1; D9/711, 713; D11/143, 149, 152,
D11/155, 164; D25/100, 48.8; D6/675.2;
D26/24, 80
CPC .. A01G 13/04; A01G 13/043; A01G 13/0243;
A01G 13/0281; A01G 27/02; A01G
31/06; A01G 9/28; A47G 7/085

See application file for complete search history.

(56) **References Cited**

U.S. PATENT DOCUMENTS

D325,714 S * 4/1992 Karhiniemi D11/155
D338,756 S * 8/1993 Pink D34/1
D553,393 S * 10/2007 Cassel D6/675.1
D681,548 S * 5/2013 Zhang D13/102
D698,869 S * 2/2014 Strzelewicz D21/499
D745,903 S * 12/2015 Armani D6/675
D760,306 S * 6/2016 Wolf D15/135
D796,921 S * 9/2017 Paternostre A01G 29/00
D8/1
D801,213 S * 10/2017 Kim D11/155

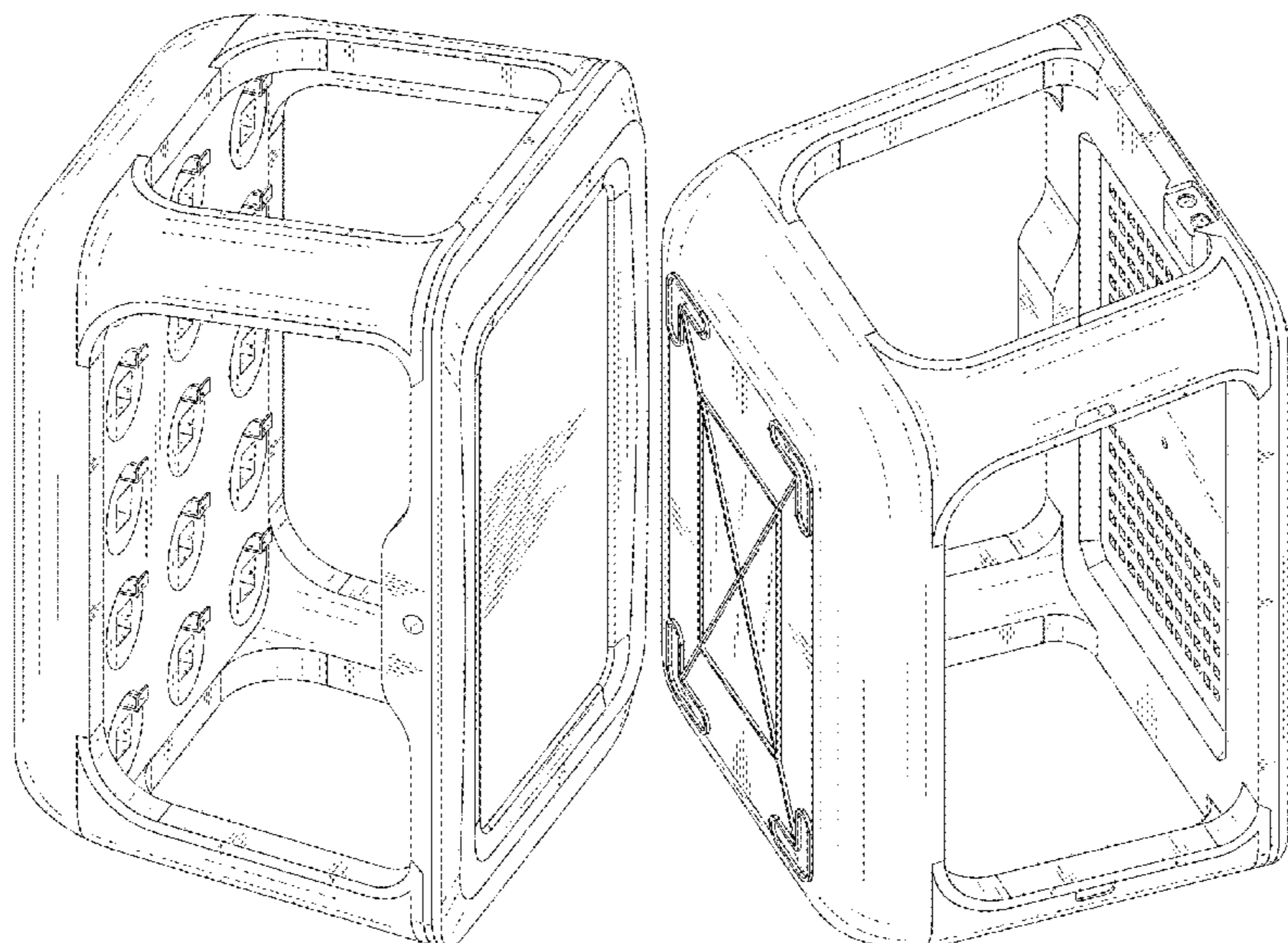
(57) **CLAIM**

The ornamental design for a grow box, as shown and described.

DESCRIPTION

FIG. 1 is a front elevational view of a first embodiment of a grow box showing my new design;
FIG. 2 is a rear elevational view of FIG. 1;
FIG. 3 is a left side view of FIG. 1;
FIG. 4 is a right side view of FIG. 1;
FIG. 5 is a top plan view of FIG. 1;
FIG. 6 is a bottom plan view of FIG. 1;
FIG. 7 is a top, front and right side perspective view of FIG. 1;
FIG. 8 is a bottom, rear and left side perspective view of FIG. 1;
FIG. 9 is a front elevational view of a second embodiment of the grow box;
FIG. 10 is a rear elevational view of FIG. 9;
FIG. 11 is a left side view of FIG. 9;
FIG. 12 is a right side view of FIG. 9;
FIG. 13 is a top plan view of FIG. 9;
FIG. 14 is a bottom plan view of FIG. 9;
FIG. 15 is a top, front and left side perspective view of FIG. 9; and,
FIG. 16 is a bottom, rear and right side perspective view of FIG. 9.

1 Claim, 16 Drawing Sheets



(56)

References Cited

U.S. PATENT DOCUMENTS

2022/0124965 A1* 4/2022 Schumacher A01G 31/06
2022/0192114 A1* 6/2022 Lee A01G 31/02

* cited by examiner

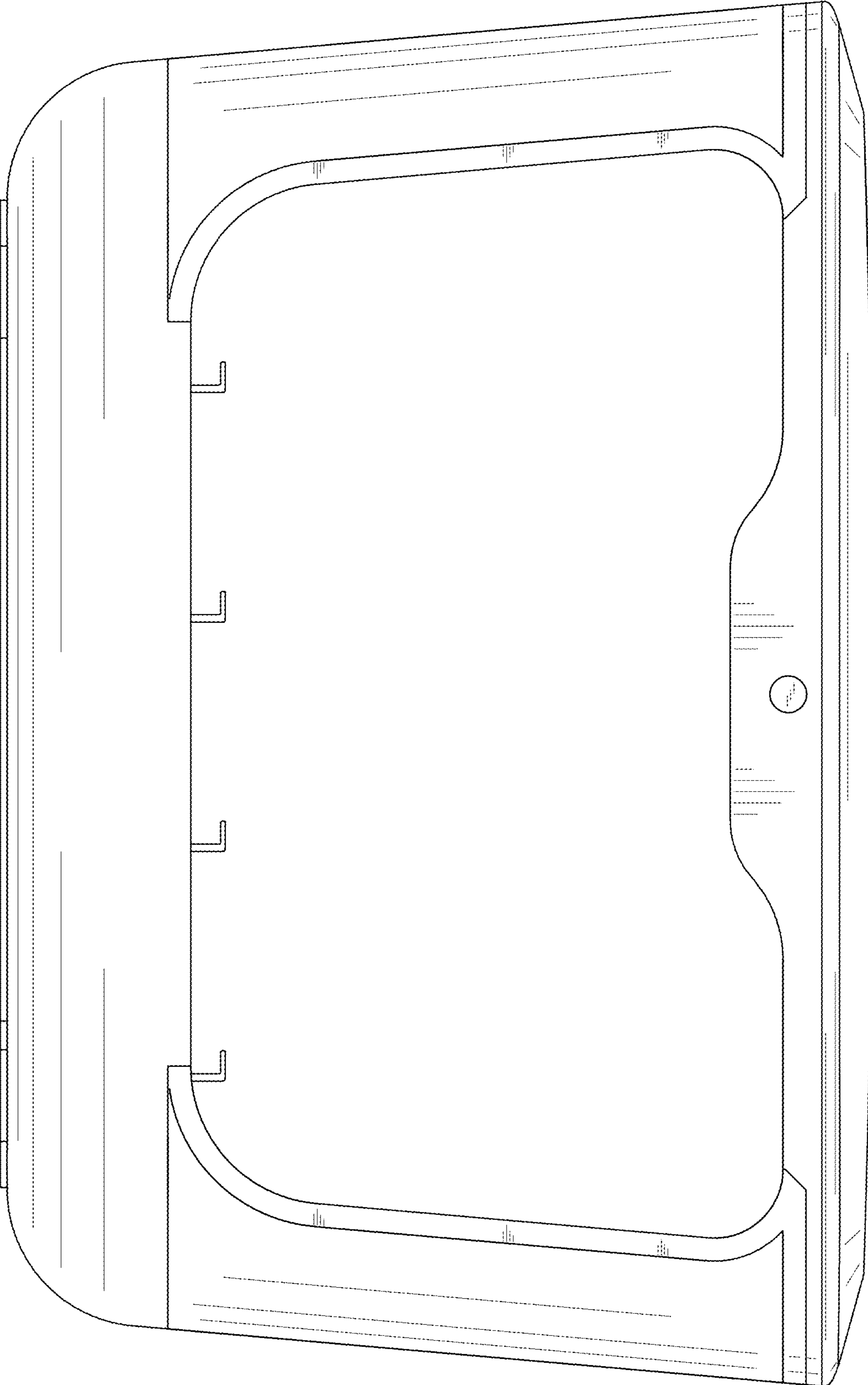


FIG.1

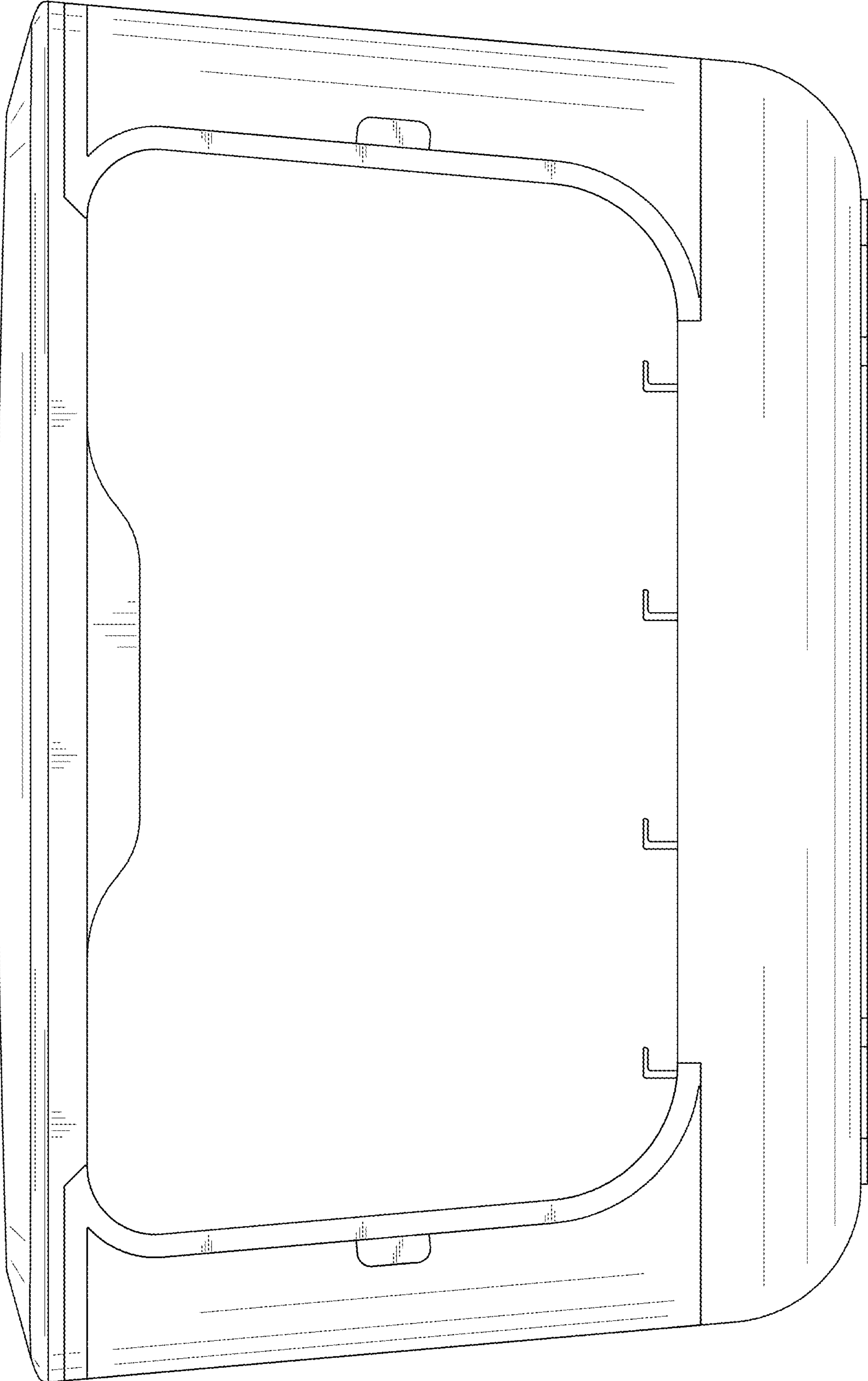


FIG.2

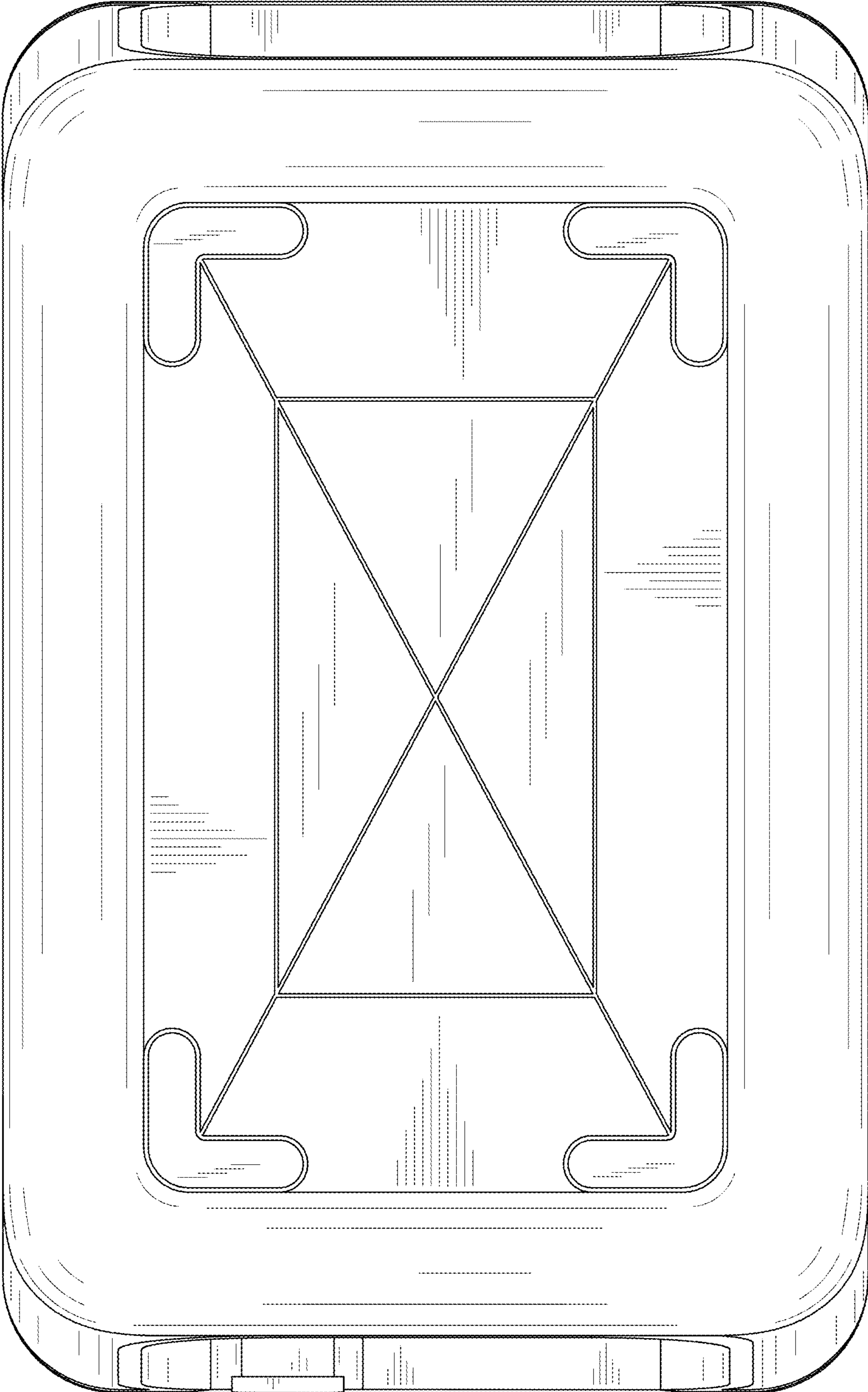


FIG.3

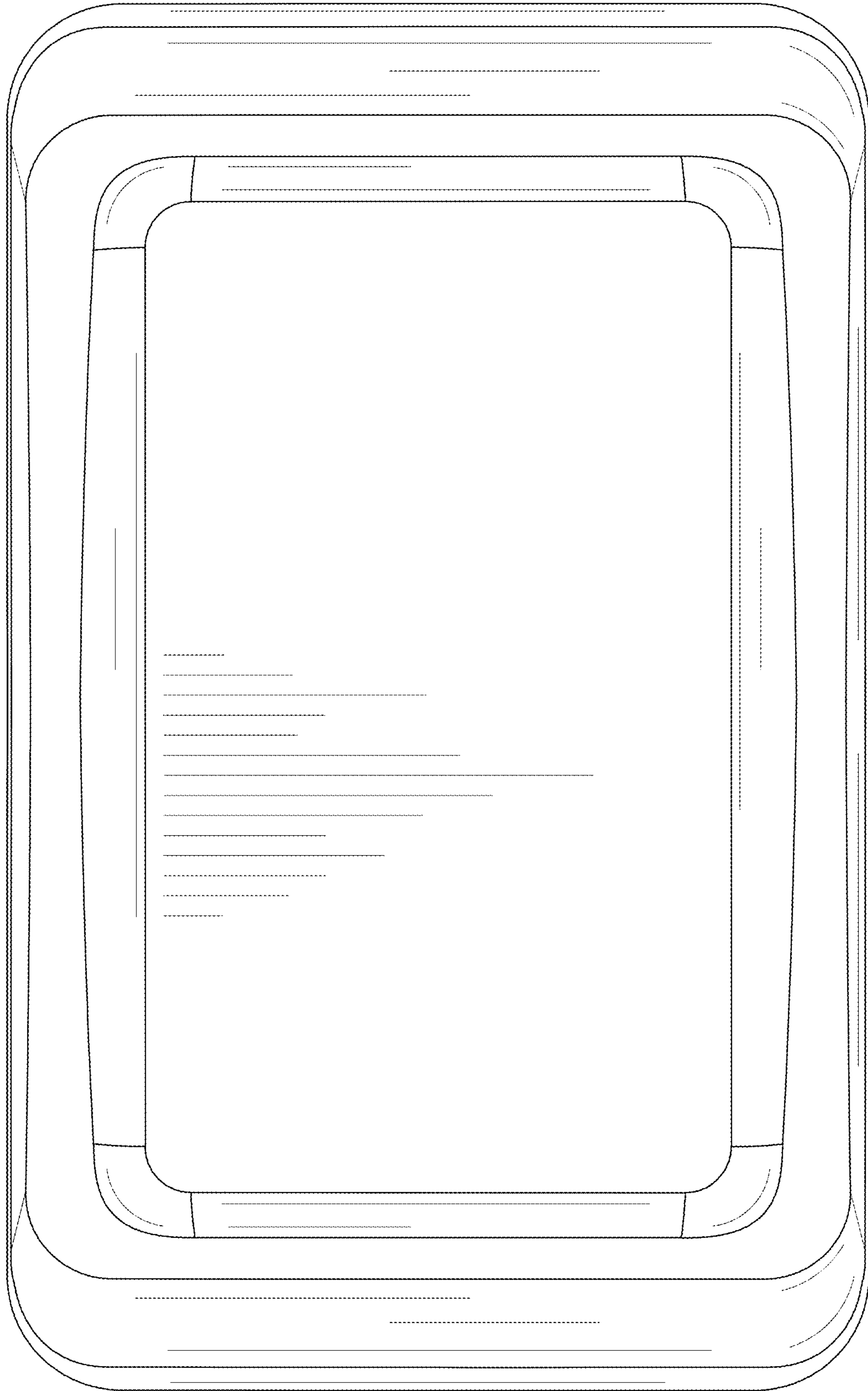


FIG.4

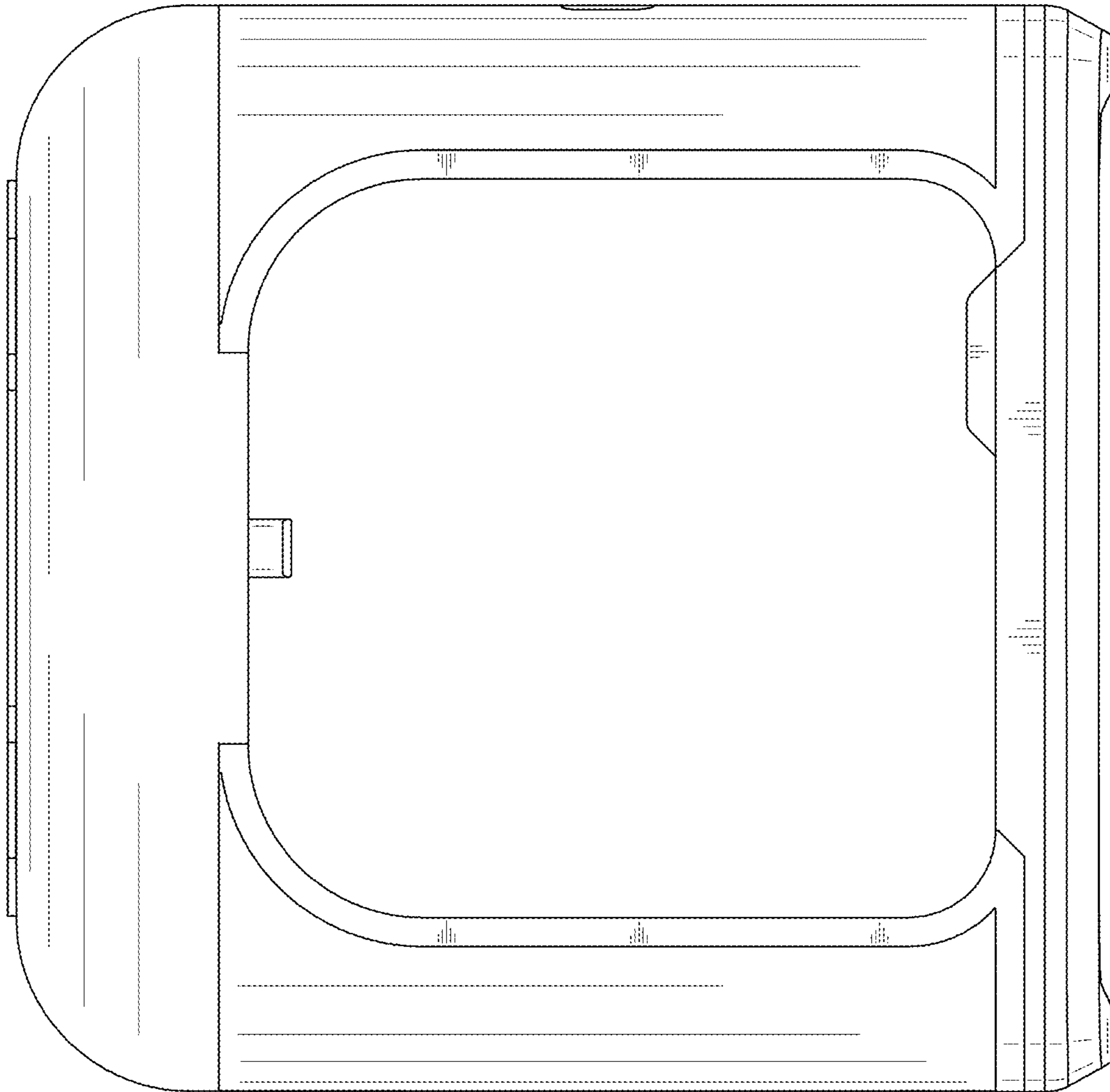


FIG.5

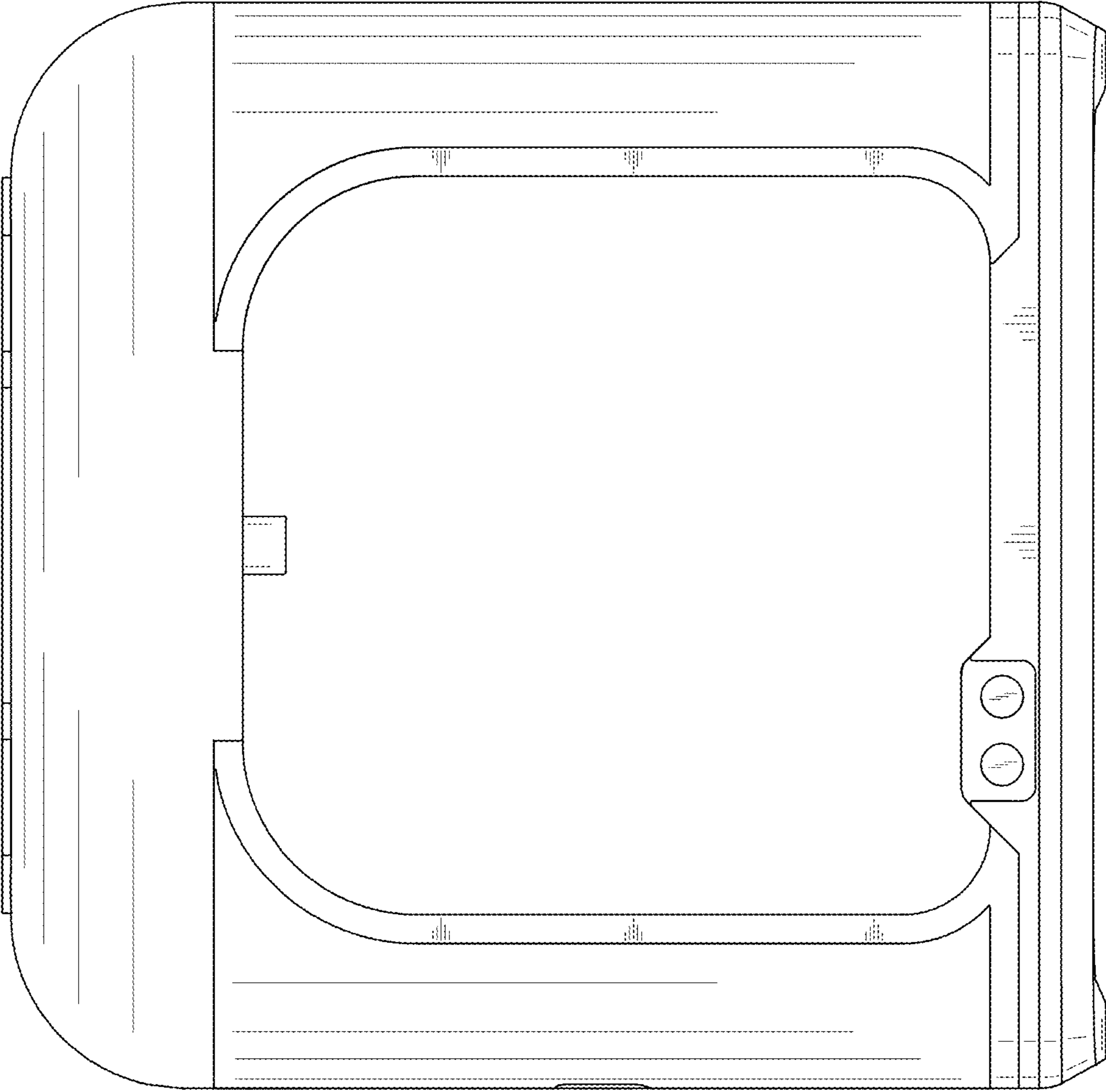


FIG.6

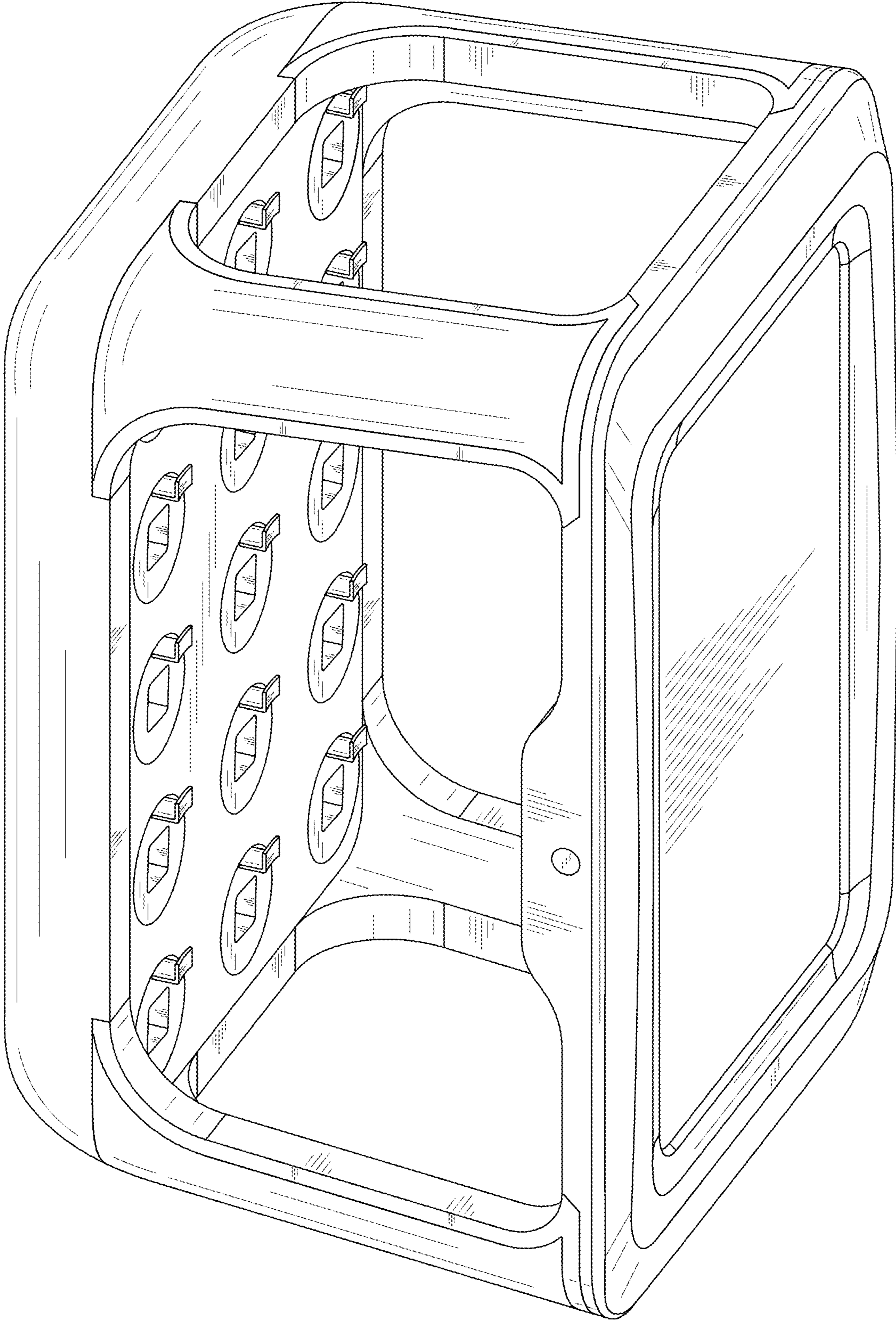


FIG. 7

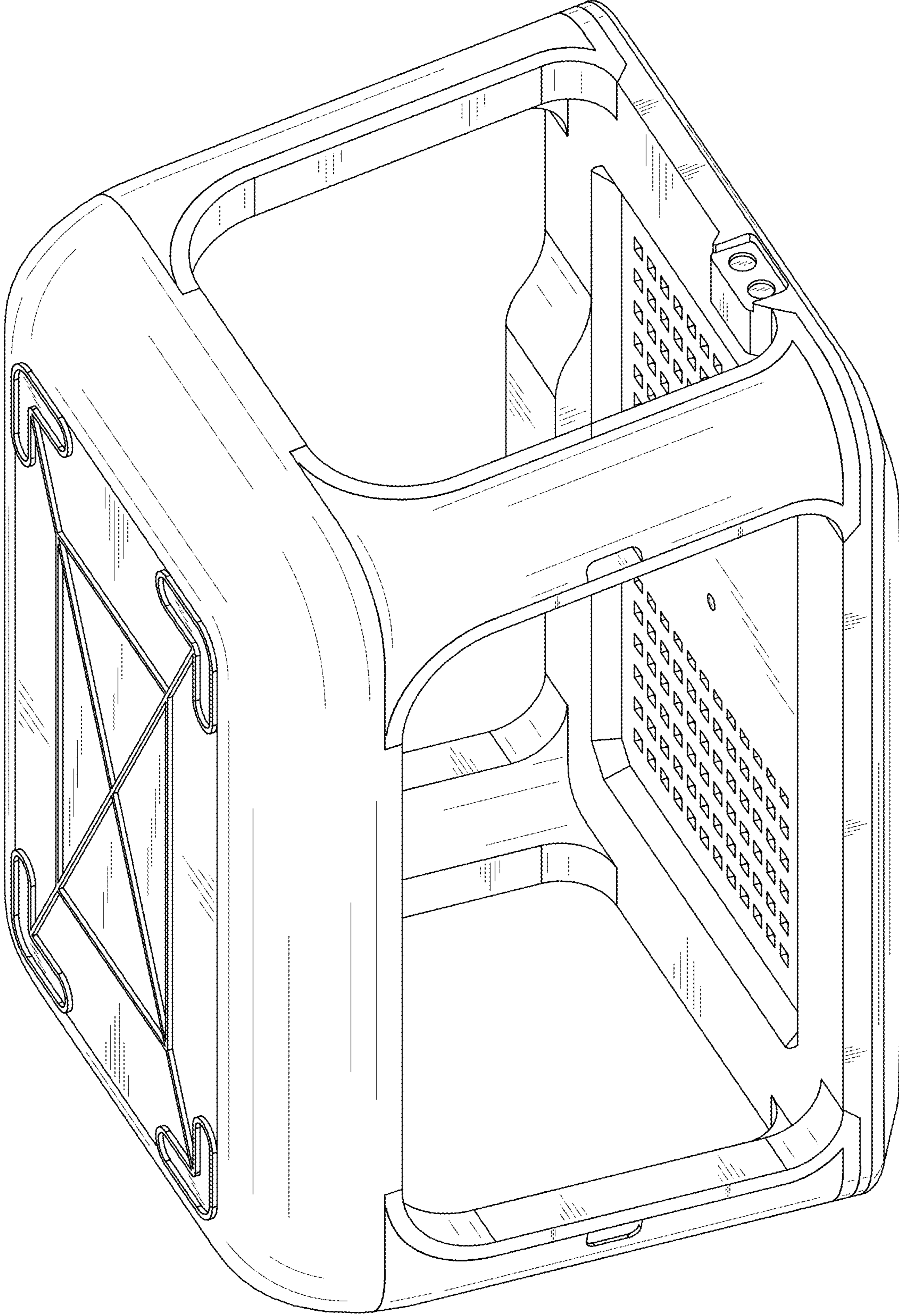


FIG.8

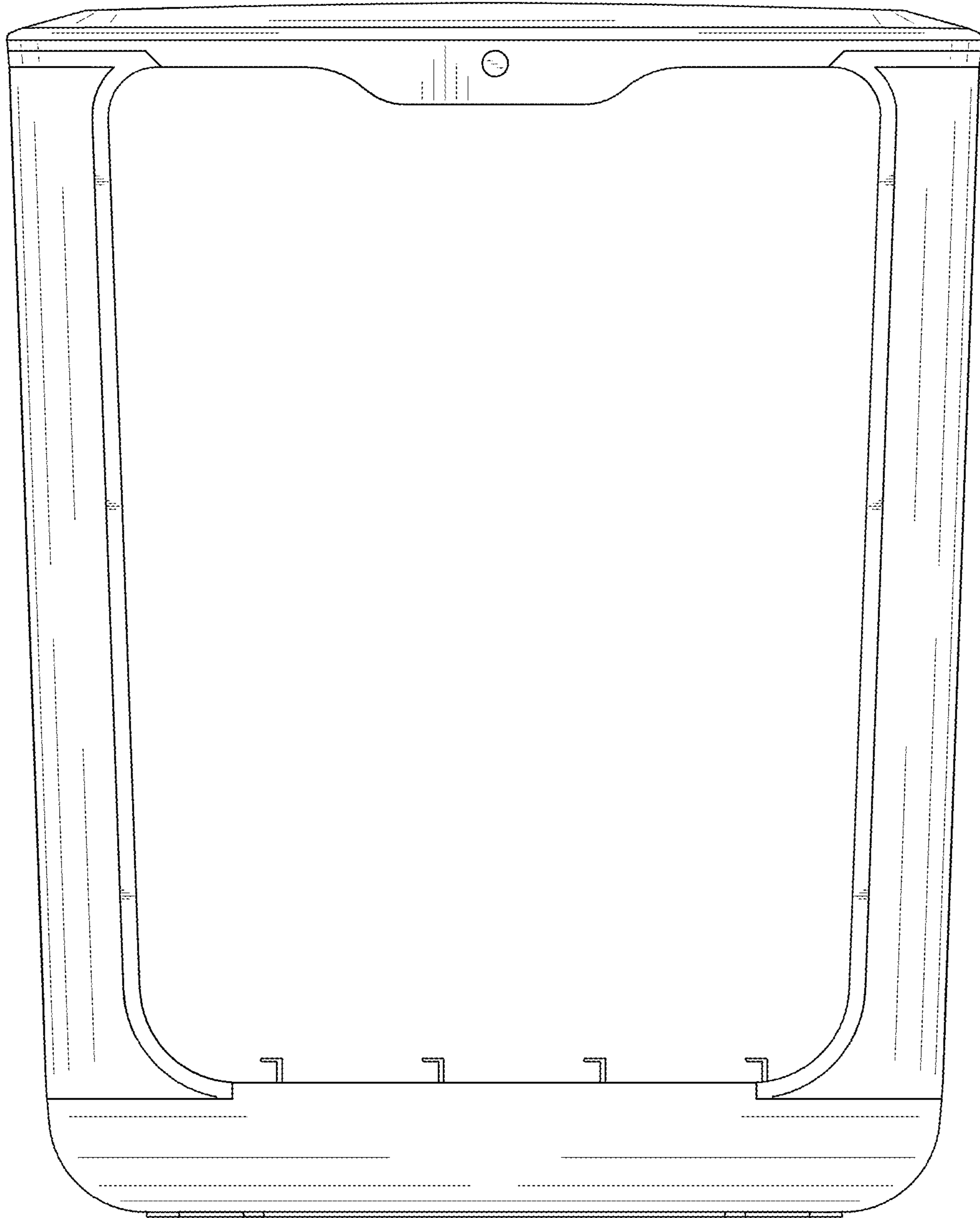


FIG.9

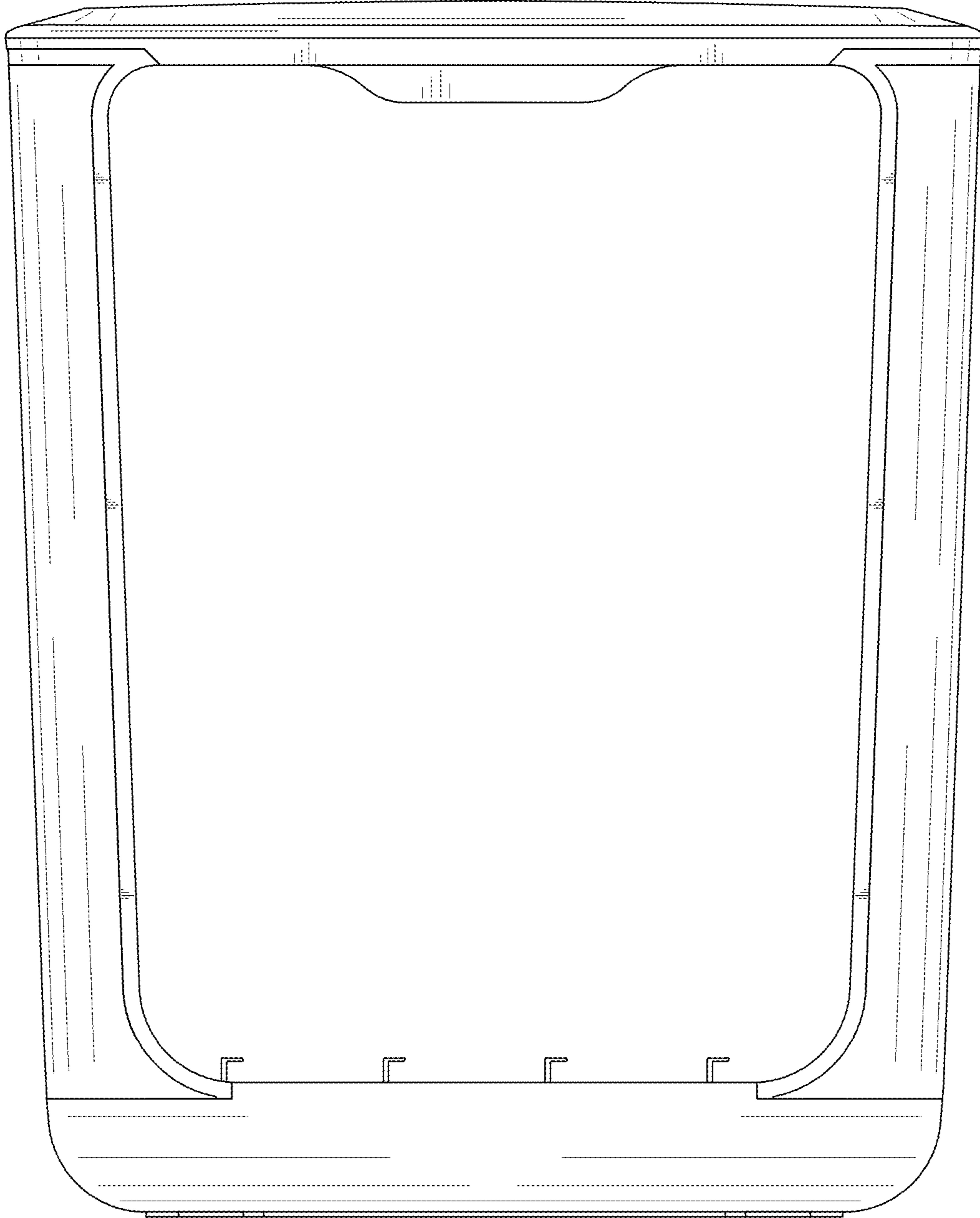


FIG.10

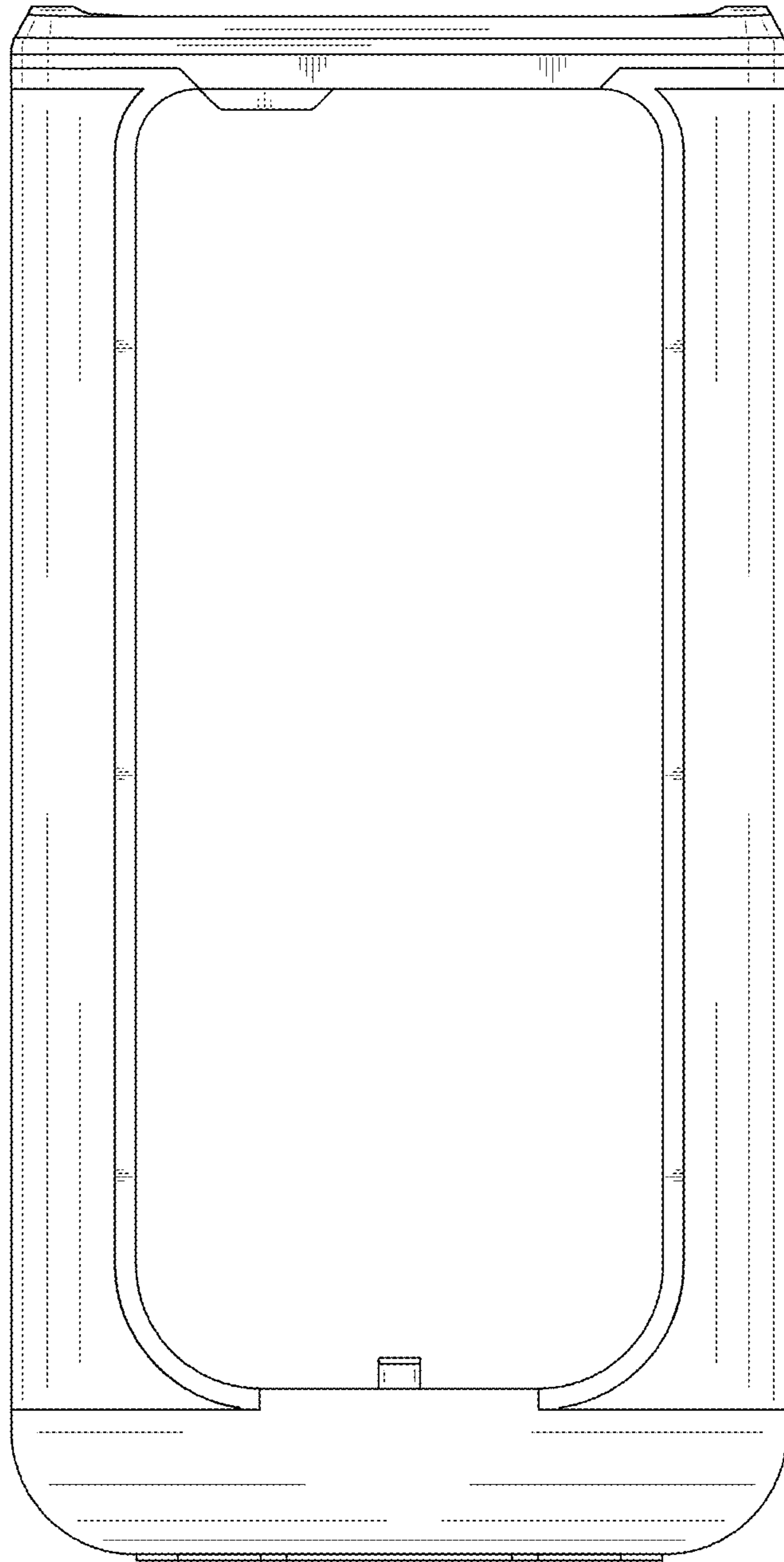


FIG. 11

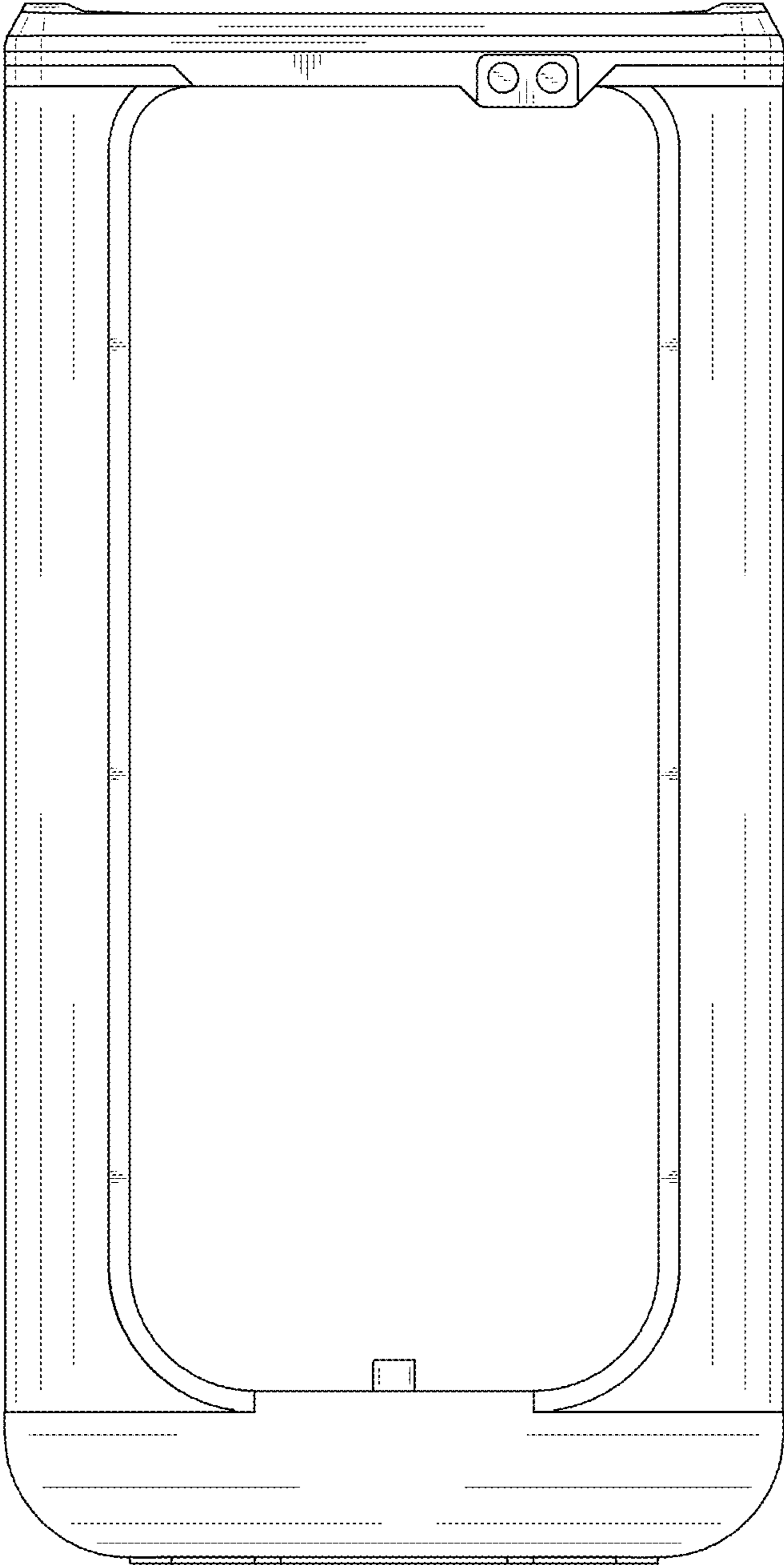


FIG.12

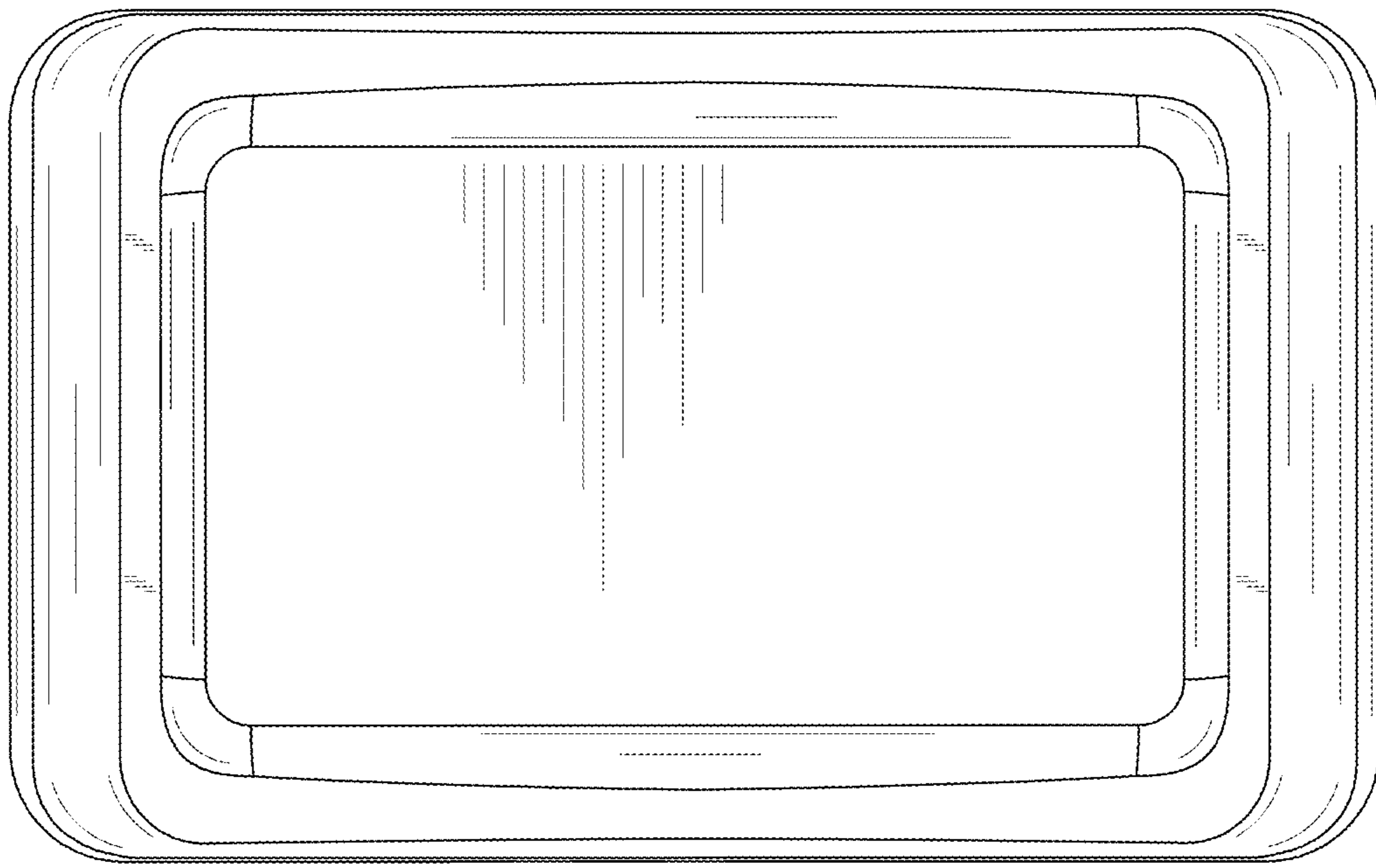


FIG.13

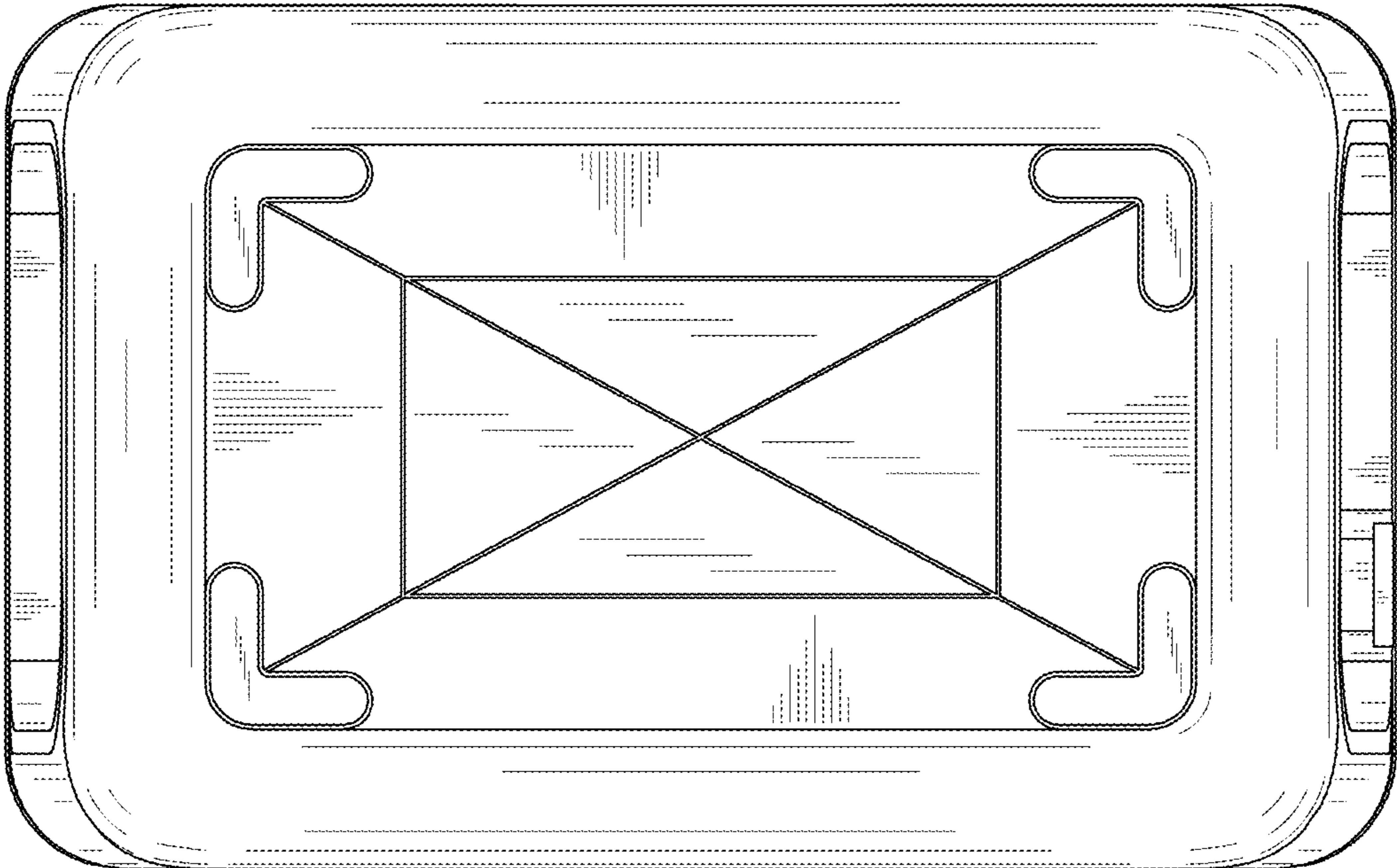


FIG.14

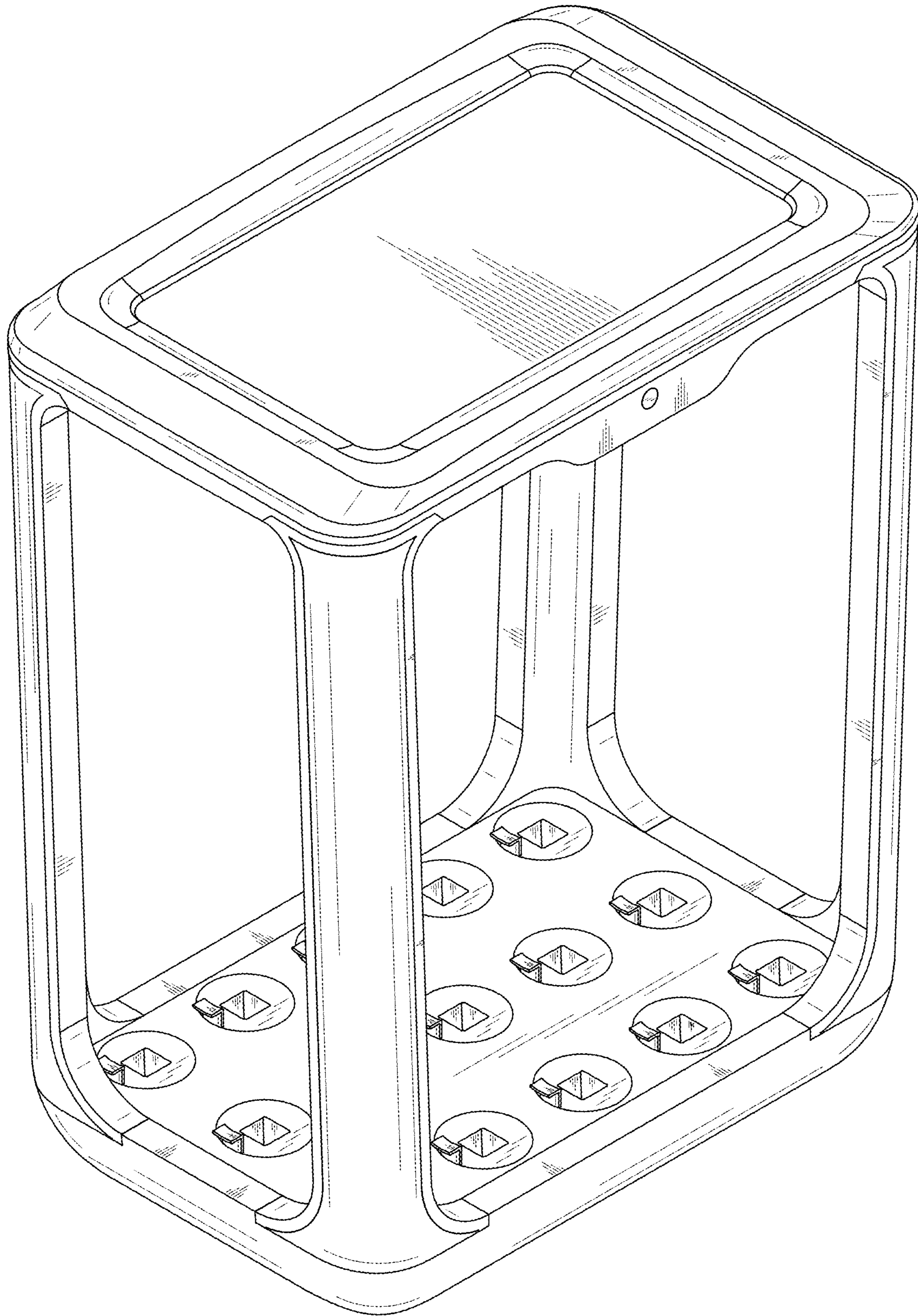


FIG.15

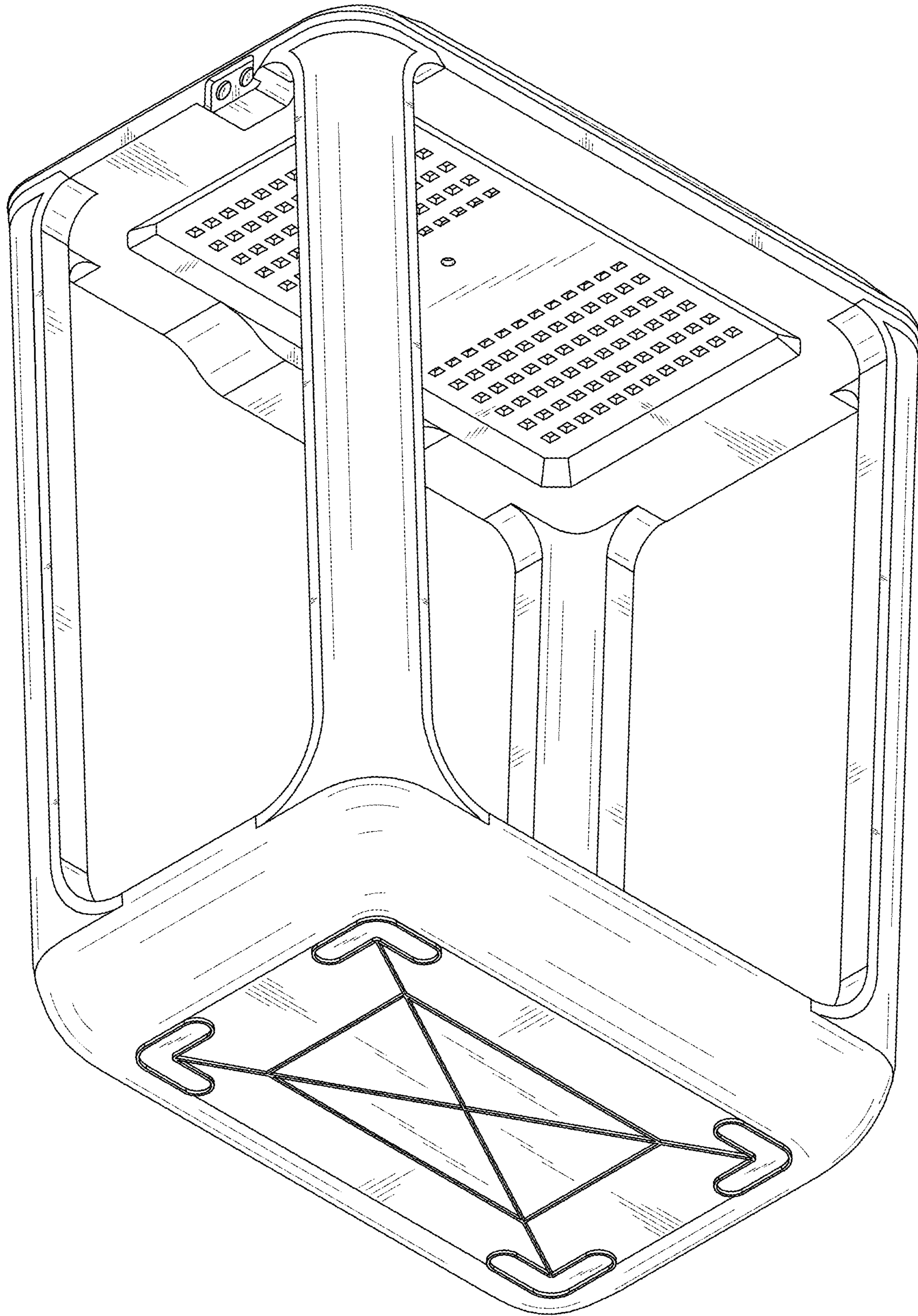


FIG.16