



US00D977318S

(12) **United States Design Patent** (10) **Patent No.:** **US D977,318 S**
Huang (45) **Date of Patent:** **** Feb. 7, 2023**

(54) **LUNCH BOX**
(71) Applicant: **Weilin Huang**, Guigang (CN)
(72) Inventor: **Weilin Huang**, Guigang (CN)
(73) Assignee: **Weilin Huang**, Guigang (CN)
(**) Term: **15 Years**
(21) Appl. No.: **29/844,247**
(22) Filed: **Jun. 28, 2022**
(51) **LOC (14) Cl.** **07-09**
(52) **U.S. Cl.**
USPC **D7/703**
(58) **Field of Classification Search**
USPC D7/391, 392.1, 397, 500, 511, 538,
D7/550.1, 553.2, 553.4, 553.5, 553.8,
D7/554.3, 601, 602, 605, 607, 609, 629,
D7/630, 701, 703; D3/11, 201, 203.1,
D3/203.2, 203.6, 212, 273, 901, 903, 904,
D3/905; D9/416, 424, 425, 426, 430,
D9/432, 435, 761; D19/102, 106
CPC A45C 11/20; A45F 3/46; A47G 23/04;
B65D 1/26; B65D 1/40; B65D 5/24;
B65D 81/00; B65D 81/18; B65D 81/34;
B65D 81/3813; B65D 81/3453; B65D
2581/34; B65D 2581/3437
See application file for complete search history.

D911,117 S * 2/2021 Xu D7/602
D919,294 S * 5/2021 Fang D3/294
D924,130 S * 7/2021 Zhang D3/294
D953,129 S 5/2022 Swartz et al.
D963,436 S * 9/2022 Chen D7/703

FOREIGN PATENT DOCUMENTS

CN 307133037 * 3/2022

OTHER PUBLICATIONS

Buddew Electric Lunch Box , posted at Amazon.com on Oct. 7, 2021, [site visited Sep. 28, 2022]. Available from internet, URL: <<https://www.amazon.com/dp/B09HT1TFWR/>> (Year: 2021).*
AUTOPkio Electric Lunch Box, posted at Amazon.com on Jun. 22, 2022, [site visited Sep. 28, 2022]. Available from internet, URL: <<https://www.amazon.com/dp/B0B4S58PG9/>> (Year: 2022).*

* cited by examiner

Primary Examiner — Andrew Kerr
Assistant Examiner — Chariton Alexakis
(74) *Attorney, Agent, or Firm* — Nitin Kaushik

(57) **CLAIM**

The ornamental design for a lunch box, as shown and described.

DESCRIPTION

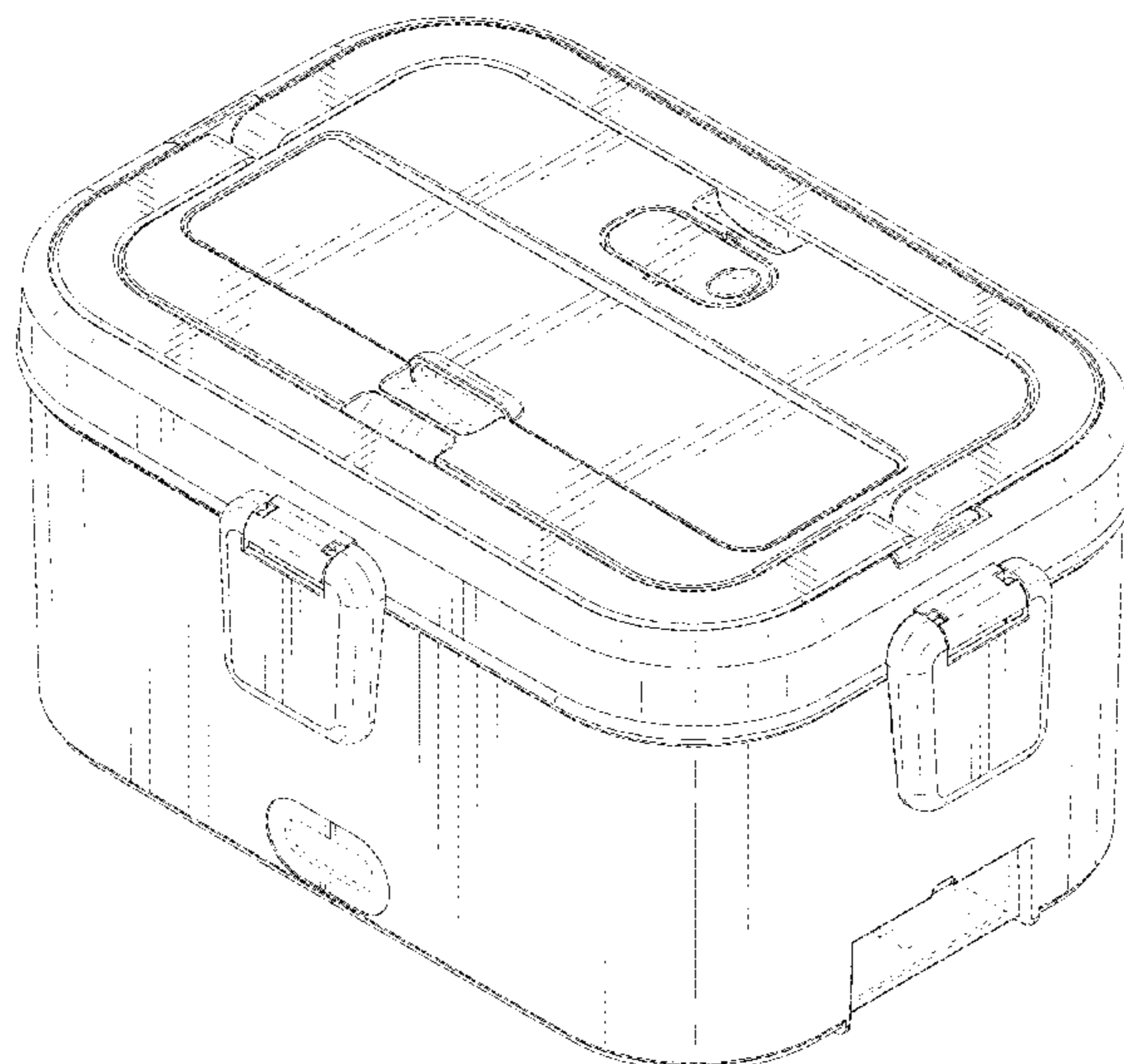
FIG. 1 is a front perspective view of a lunch box, showing my new design;
FIG. 2 is a front view thereof;
FIG. 3 is a rear view thereof;
FIG. 4 is a left side view thereof;
FIG. 5 is a right side view thereof;
FIG. 6 is a top view thereof; and,
FIG. 7 is a bottom view thereof.
The broken lines in the drawings illustrate the portions of the lunch box, which form no part of the claimed design.

1 Claim, 7 Drawing Sheets

(56) **References Cited**

U.S. PATENT DOCUMENTS

D418,296 S * 1/2000 Kobayashi D3/276
D469,288 S * 1/2003 Wray D6/518
D513,122 S * 12/2005 Greene D3/273
D692,281 S * 10/2013 George D7/629
D740,223 S * 10/2015 Yoneta D13/108
D743,751 S * 11/2015 Stokke D7/629
D748,425 S * 2/2016 Lee D7/354
D758,806 S * 6/2016 Morales D3/276
D900,333 S * 10/2020 Xie D24/217



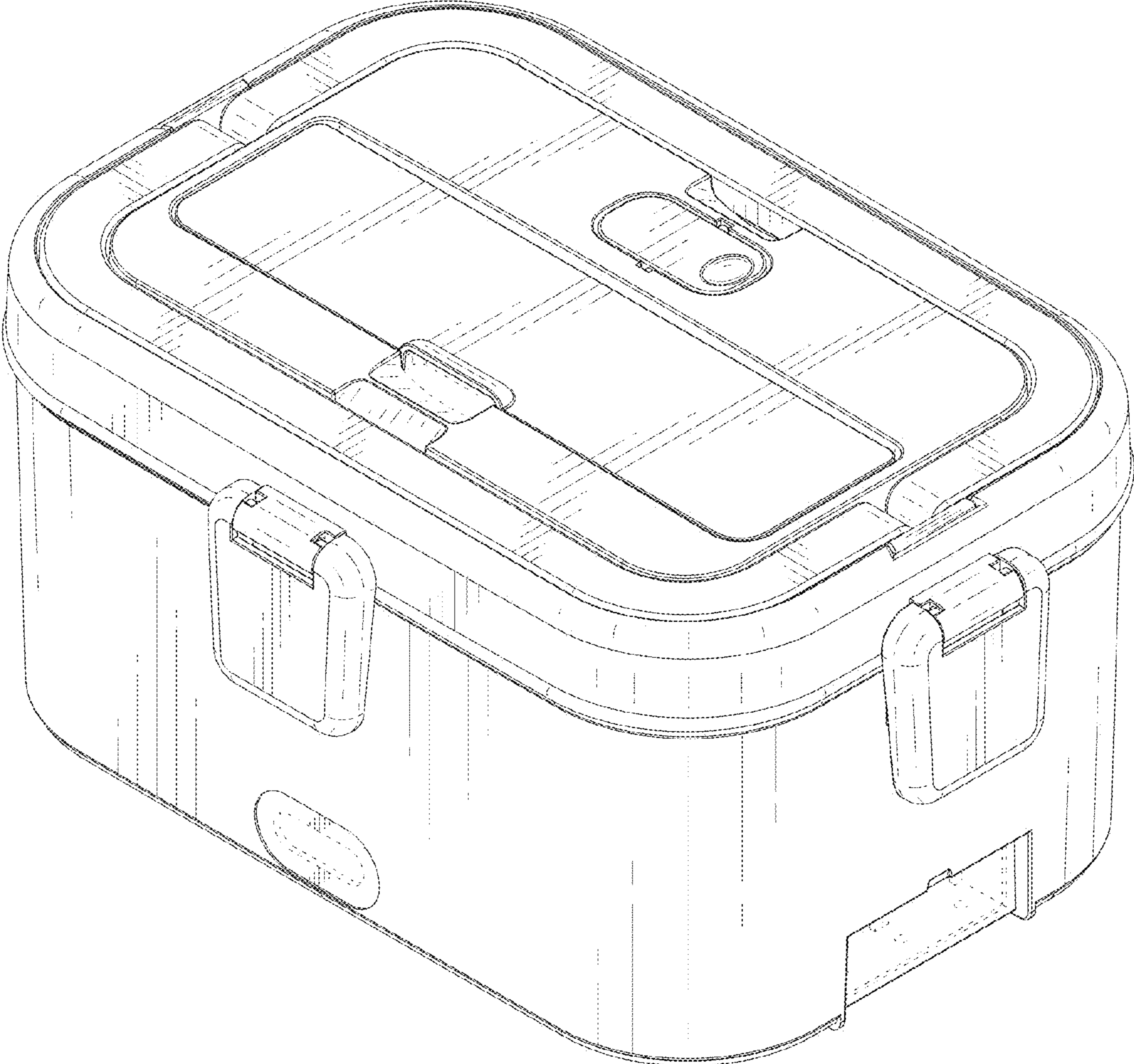


FIG. 1

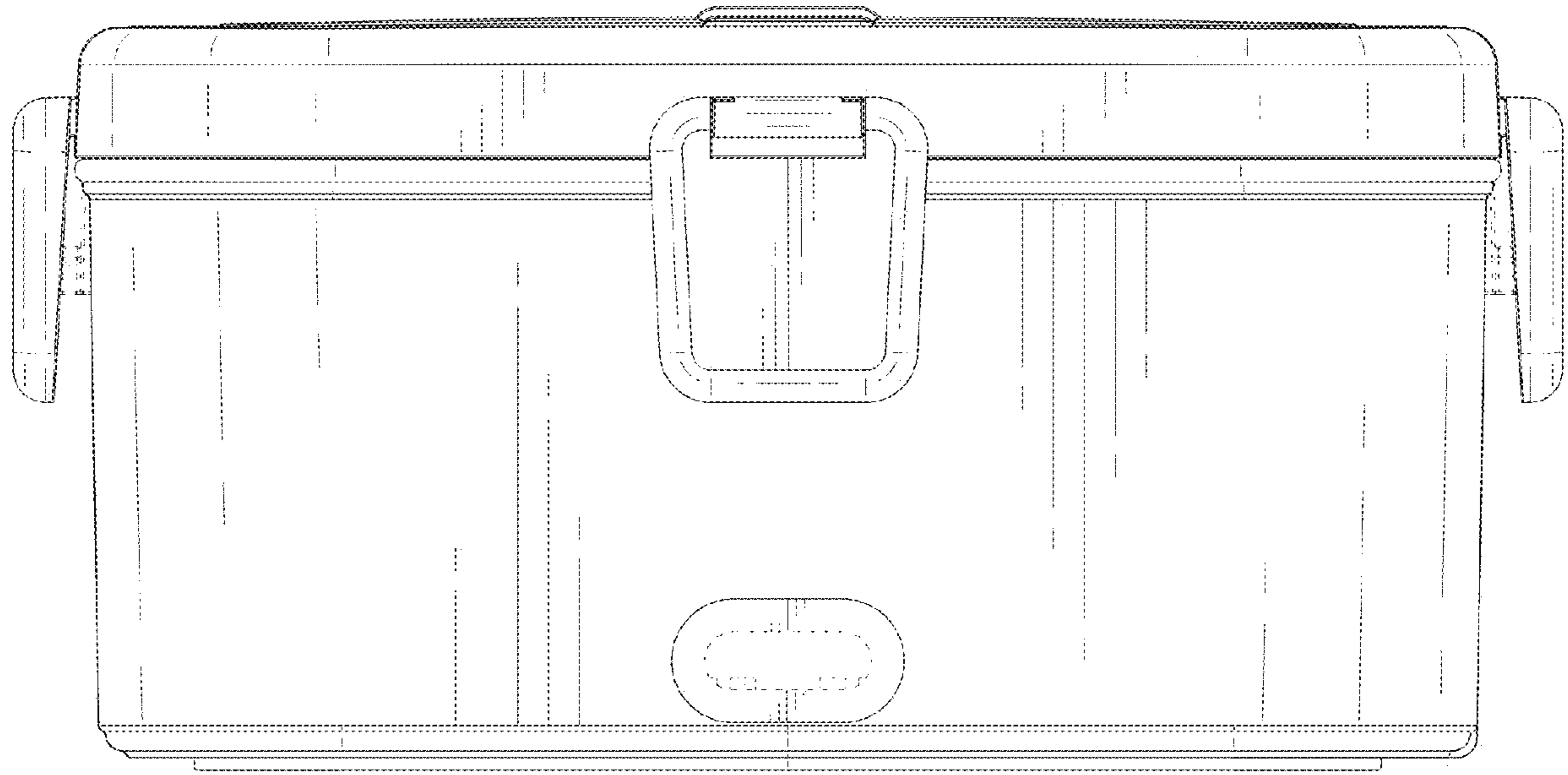


FIG. 2

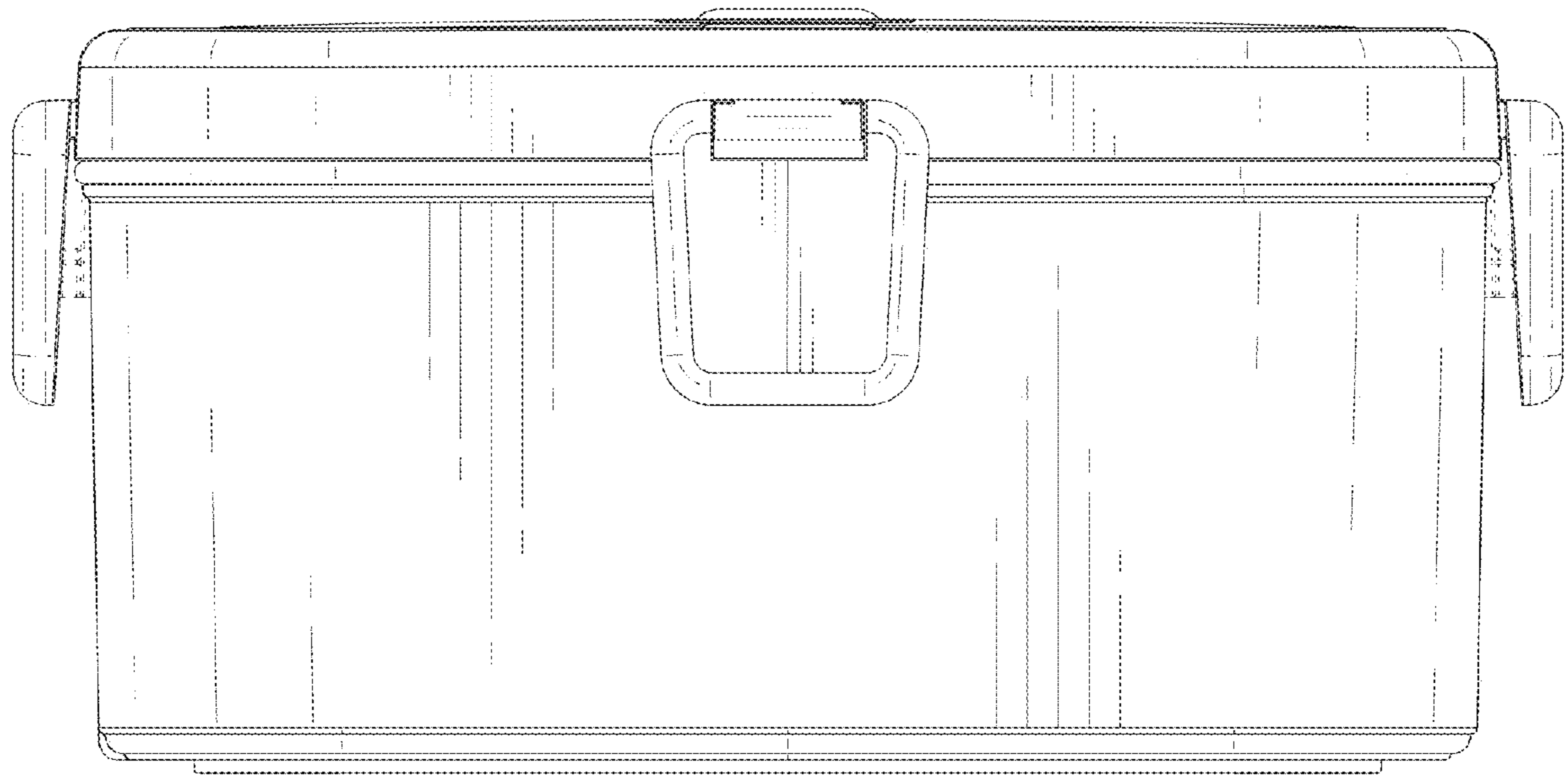


FIG. 3

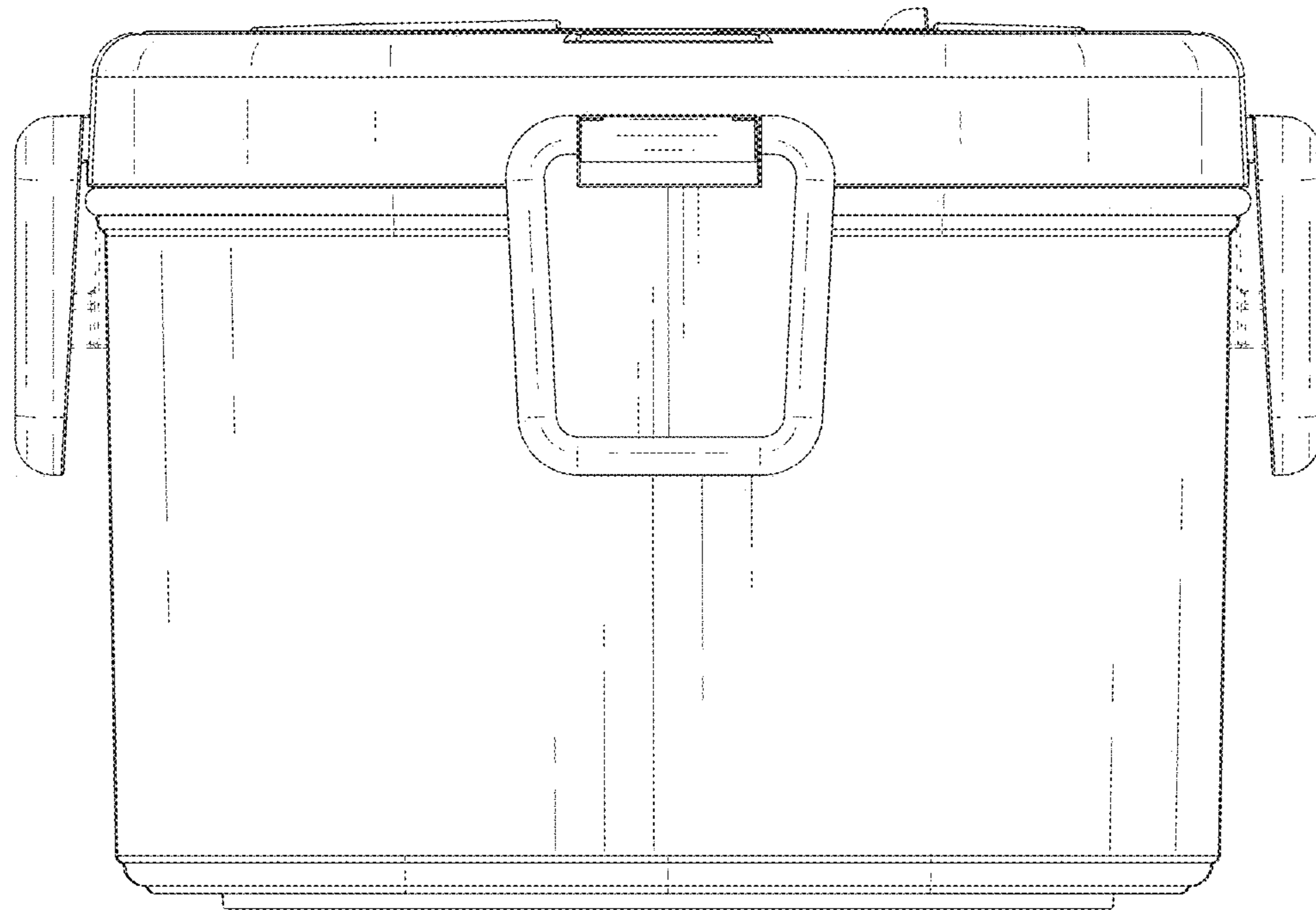


FIG. 4

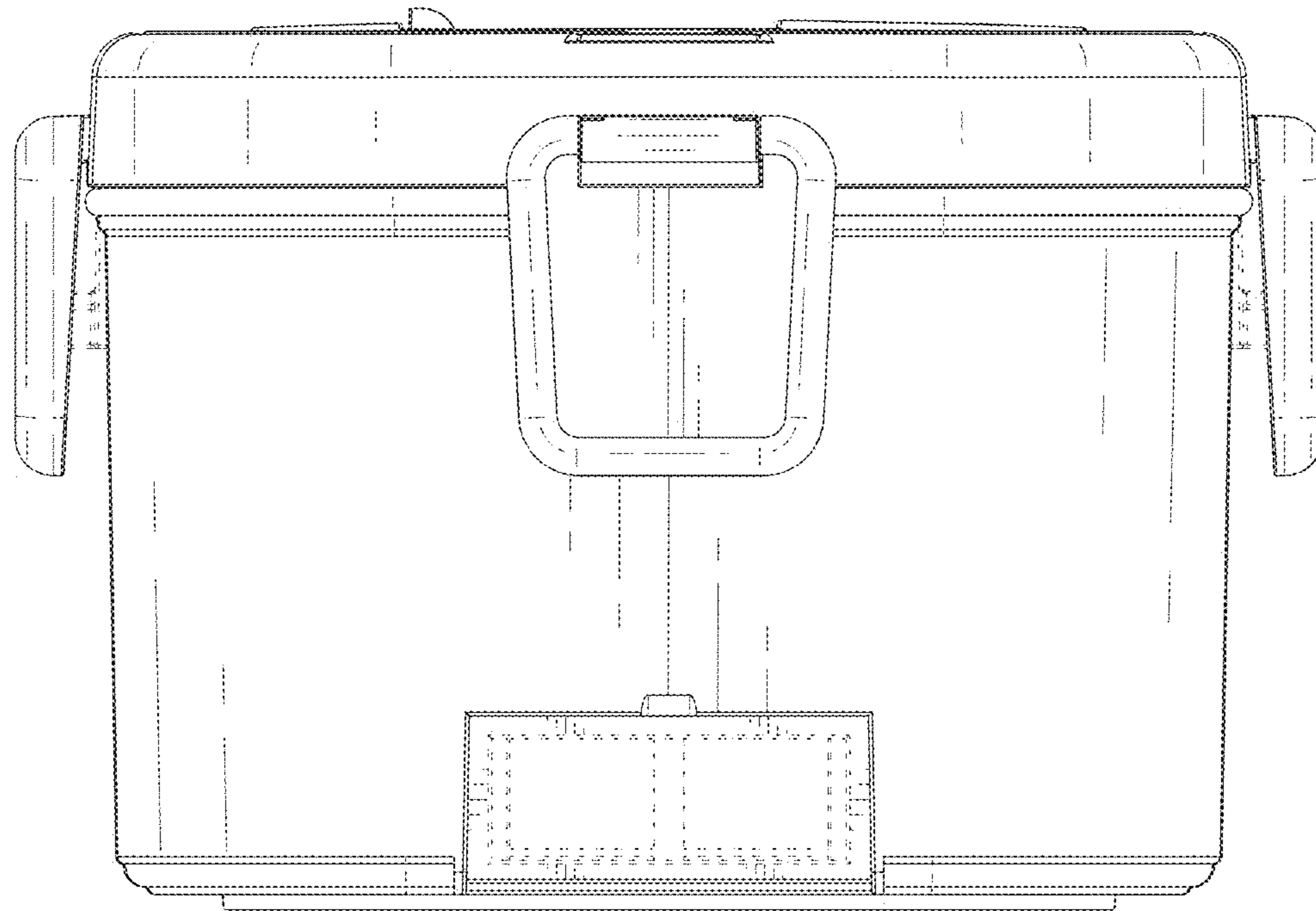


FIG. 5

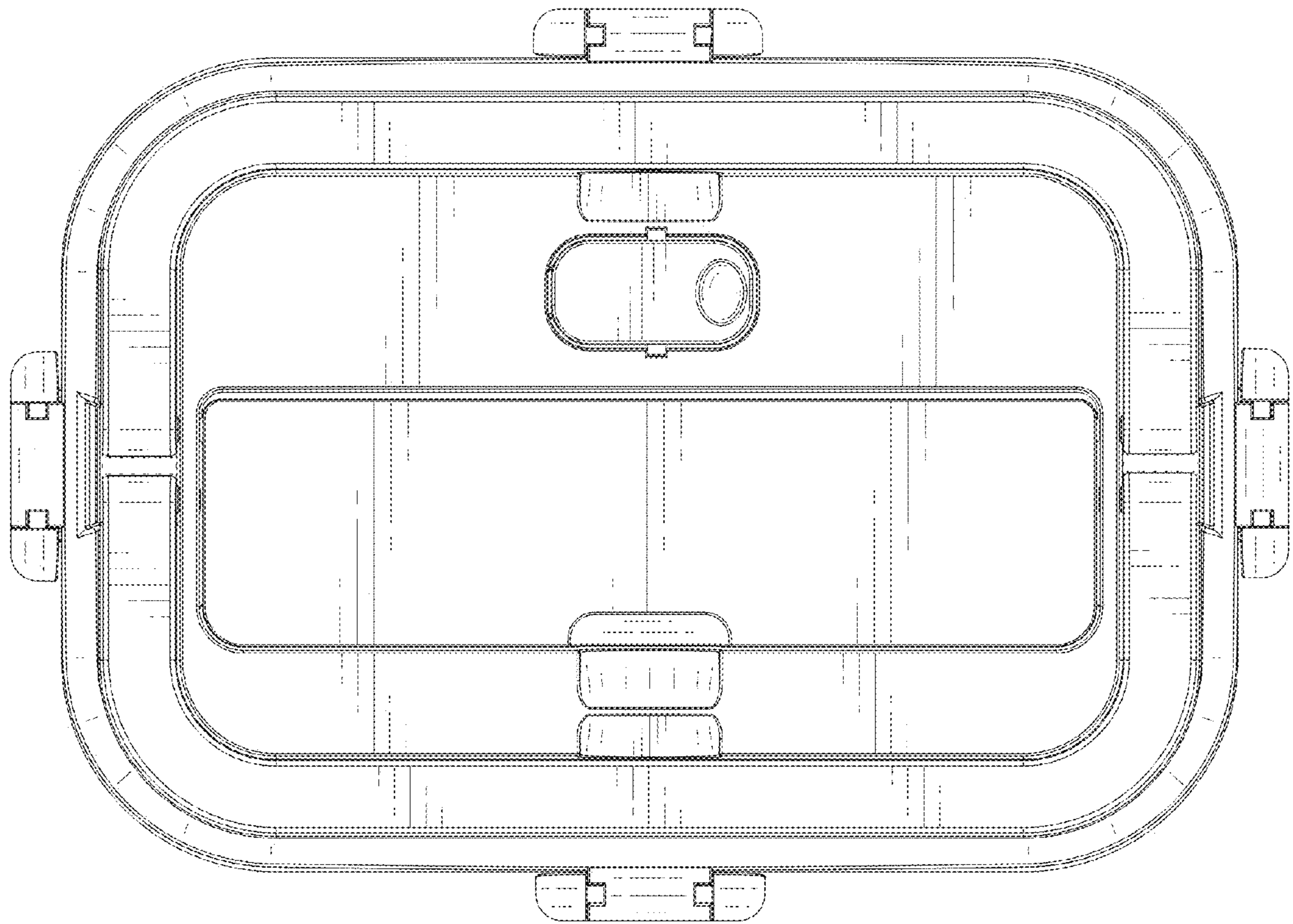


FIG. 6

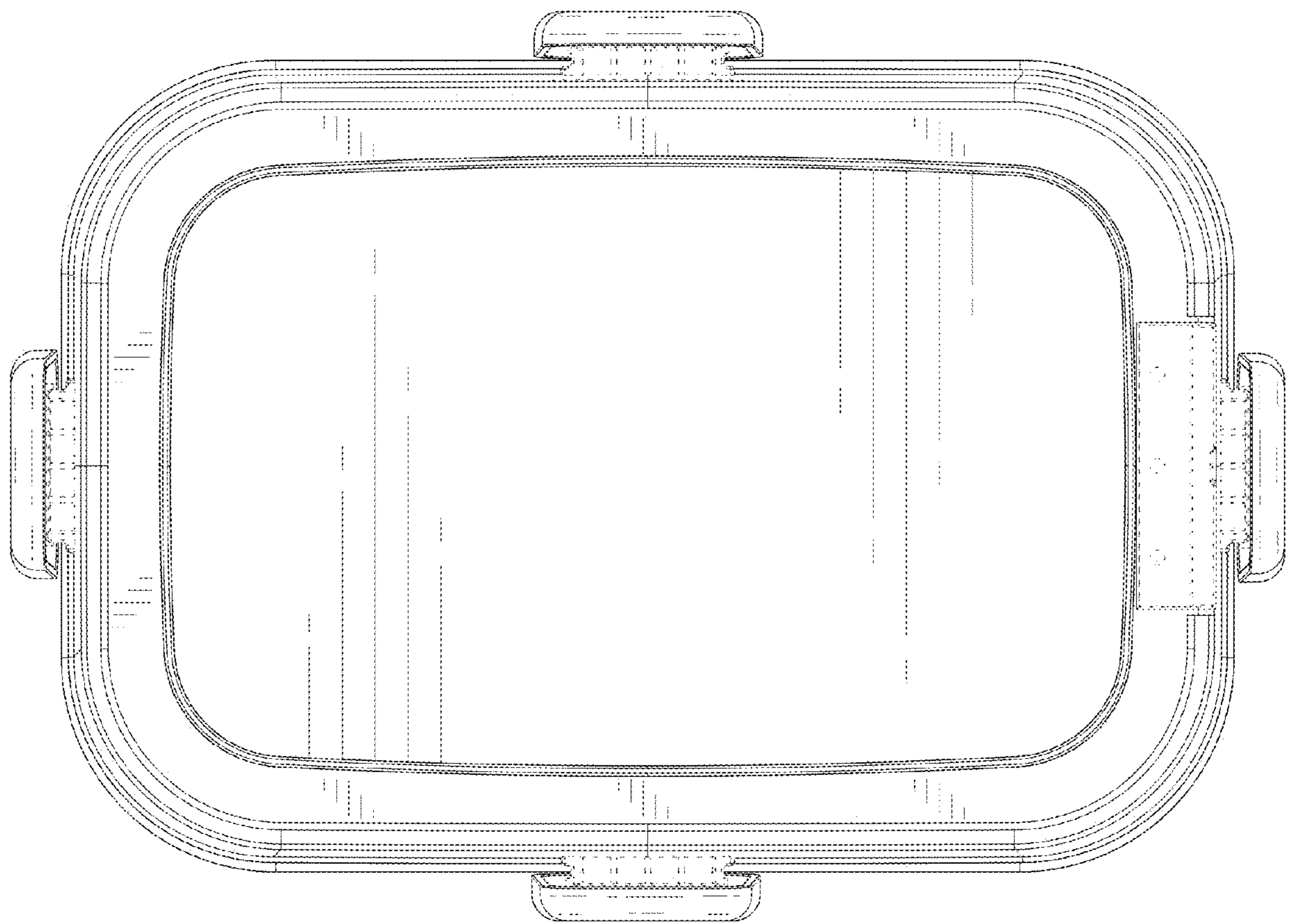


FIG. 7