



US00D977315S

(12) **United States Design Patent**  
**Zhang**

(10) **Patent No.:** **US D977,315 S**

(45) **Date of Patent:** **\*\* Feb. 7, 2023**

- (54) **FORK WITH REMOVABLE TIP**
- (71) Applicant: **Yiwei Zhang**, Jinhua (CN)
- (72) Inventor: **Yiwei Zhang**, Jinhua (CN)
- (73) Assignee: **JINHUA ENJOY & WONDERFUL INC.**, Jinhua (CN)

D386,050	S	*	11/1997	Puri	.....	D7/642
D834,370	S	*	11/2018	Seehoff	.....	D7/642
D877,575	S	*	3/2020	Yip	.....	D7/642
D911,123	S	*	2/2021	Huang	.....	D7/645
2002/0092181	A1	*	7/2002	Choi	.....	A47G 21/103 30/324
2004/0237311	A1	*	12/2004	Brown	.....	A47G 21/181 30/141

- (\*\*) Term: **15 Years**
- (21) Appl. No.: **29/856,950**
- (22) Filed: **Oct. 18, 2022**
- (51) **LOC (14) Cl.** ..... **07-03**
- (52) **U.S. Cl.**  
USPC ..... **D7/653**
- (58) **Field of Classification Search**  
USPC ..... D7/368, 401.2, 642-645, 653-664, 669,  
D7/675-677, 683, 688-689, 691;  
D8/107, 300-301; D22/117-118  
CPC ... A01D 9/02; A01D 9/04; A01D 9/06; A47G  
21/00; A47G 21/004; A47G 21/005;  
A47G 21/02; A47G 21/023; A47G 21/04;  
A47G 21/06; A47G 21/08; A47G 21/103;  
A47G 21/181; A47J 43/28; A47J 43/281;  
A47J 43/282; A61F 13/10; A61F 13/38;  
A61J 7/0023; B25G 1/00; B25G 1/01;  
B25G 1/02; B25G 3/00; B65D 75/56;  
B65D 75/563; B65D 75/566; B67B 7/00;  
B67B 7/724; B67B 7/73  
See application file for complete search history.

(56) **References Cited**  
U.S. PATENT DOCUMENTS

D14,946	S		4/1884	Hart		
D181,860	S	*	1/1958	Krenchel	.....	D7/653
D271,363	S	*	11/1983	Cassini	.....	D7/653
D368,413	S	*	4/1996	Lowenfels	.....	D7/643

**OTHER PUBLICATIONS**

WiTisve Camping Travel Cutlery Set. Date First Available on Amazon.com Apr. 16, 2021. <https://www.amazon.com/dp/B092QTDCKH/ref> (Year: 2021).\*

Portable Travel Utensils Set with Case Reusable Cutlery Set. Date First Available on Amazon.com Jan. 13, 2021. <https://www.amazon.com/GTGR-Portable-Flatware-Stainless-Chopsticks/dp/B08SW3P8KY/ref> (Year: 2021).\*

\* cited by examiner

*Primary Examiner* — Ricky Pham  
(74) *Attorney, Agent, or Firm* — Justin Lampel

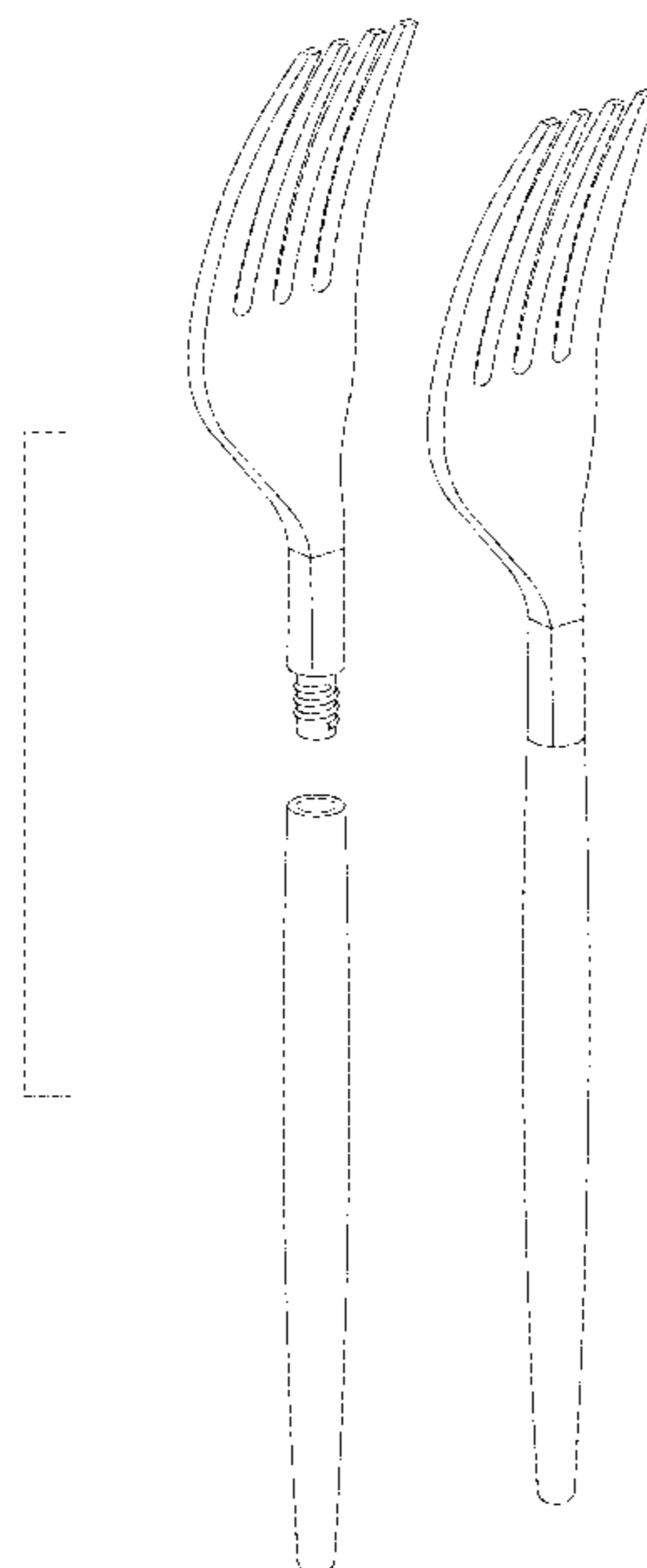
(57) **CLAIM**

The ornamental design for a fork with removable tip, as shown and described.

**DESCRIPTION**

FIG. 1 is an exploded perspective view of a fork with removable tip showing my new design;  
FIG. 2 is a top plan view thereof;  
FIG. 3 is a rear elevational view thereof;  
FIG. 4 is a left side view thereof;  
FIG. 5 is a front elevational view thereof;  
FIG. 6 is a right side view thereof;  
FIG. 7 is a bottom plan view thereof; and,  
FIG. 8 is a perspective view thereof.

**1 Claim, 8 Drawing Sheets**



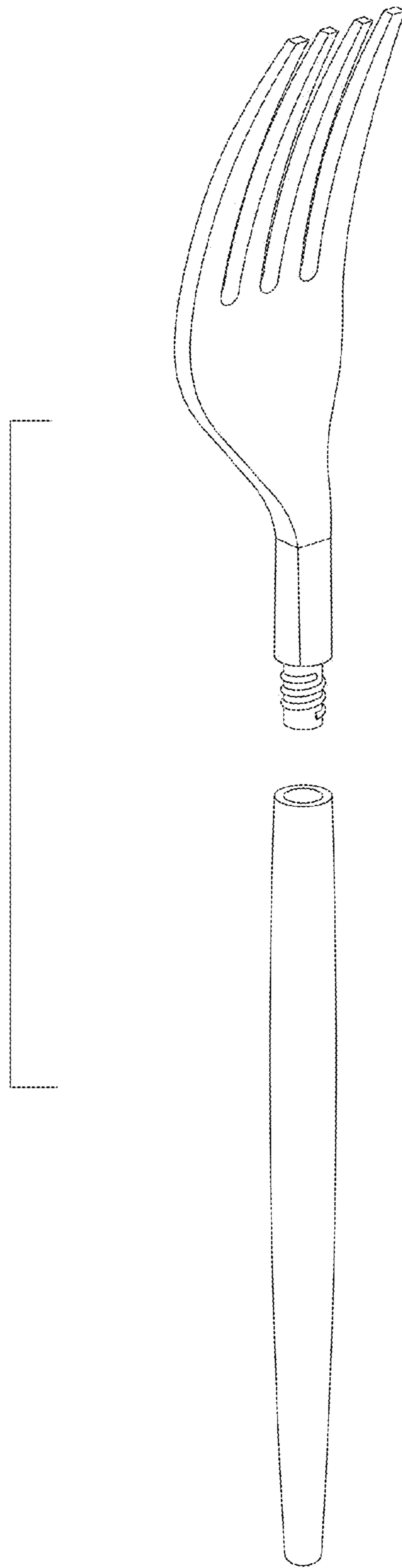


FIG.1

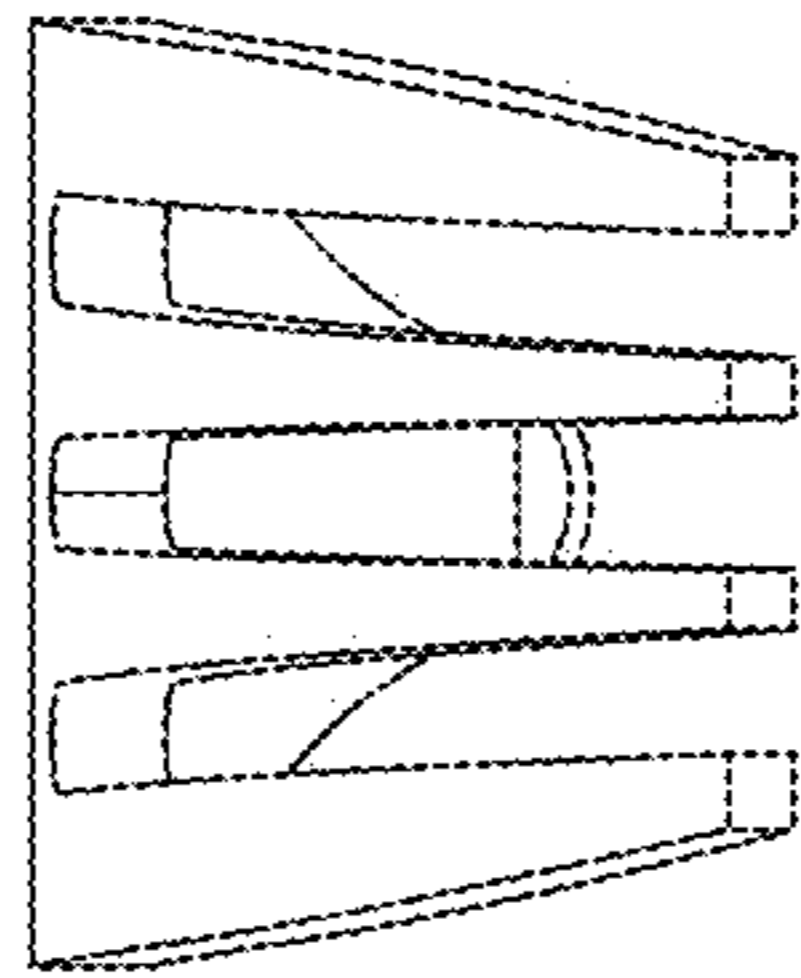


FIG.2

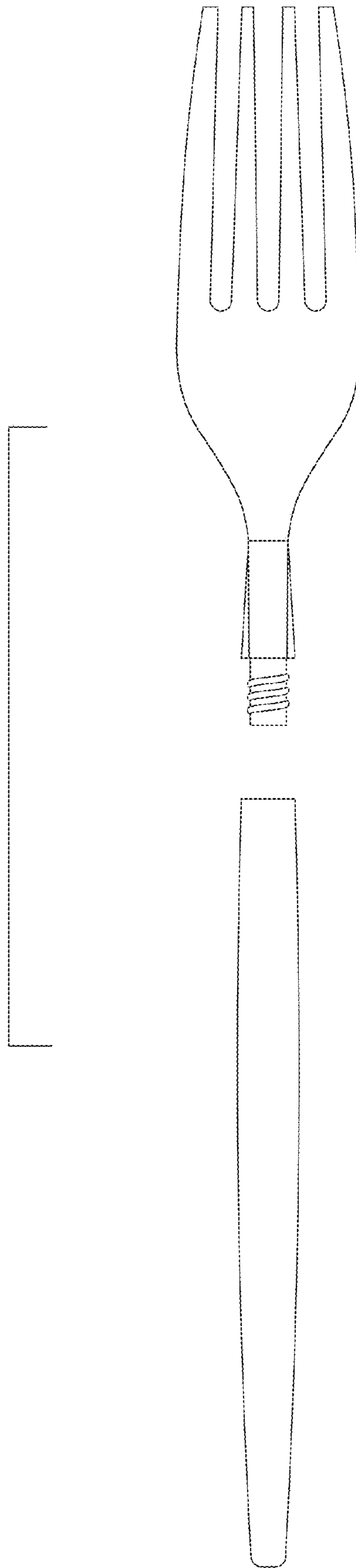


FIG. 3

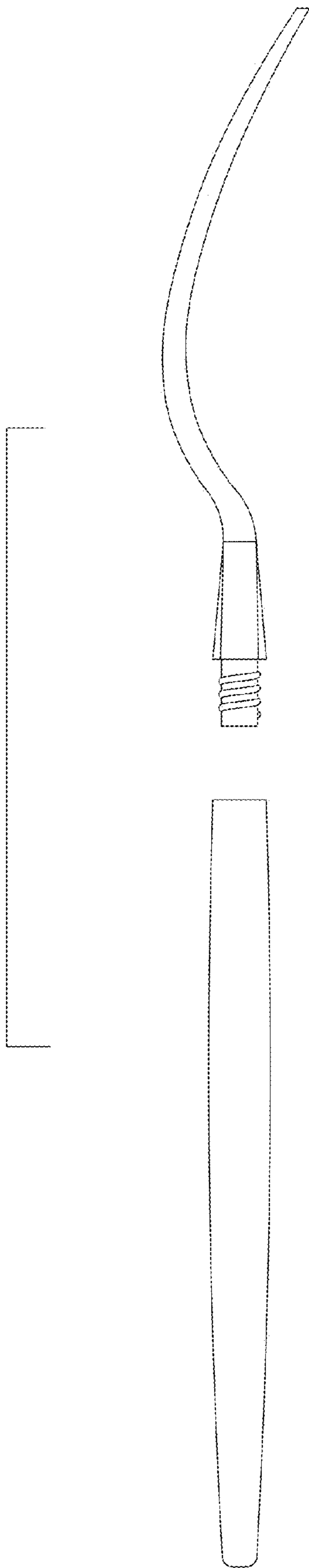


FIG.4

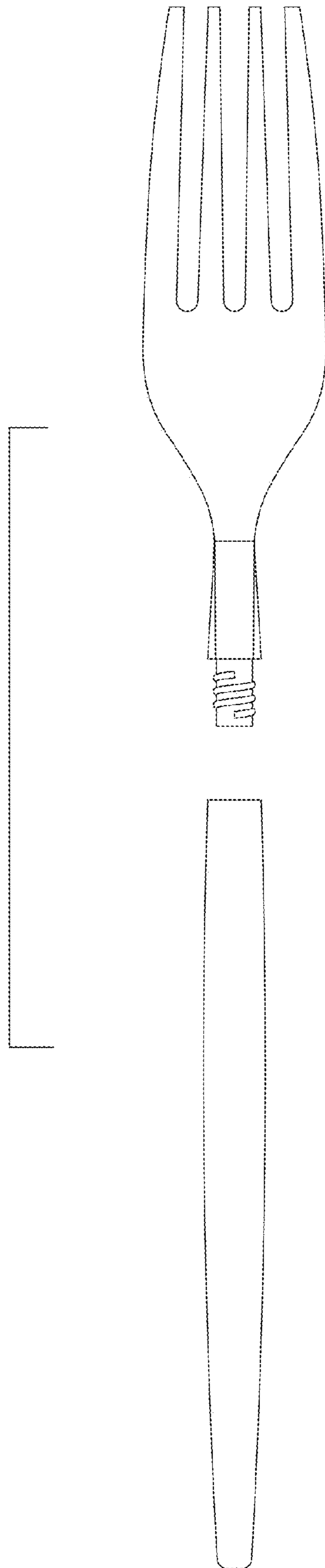


FIG. 5

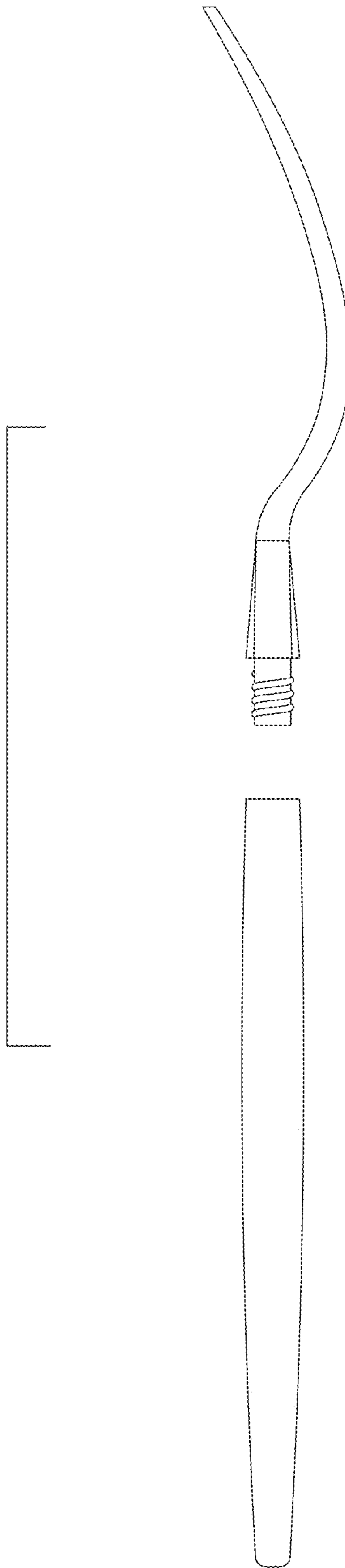


FIG.6

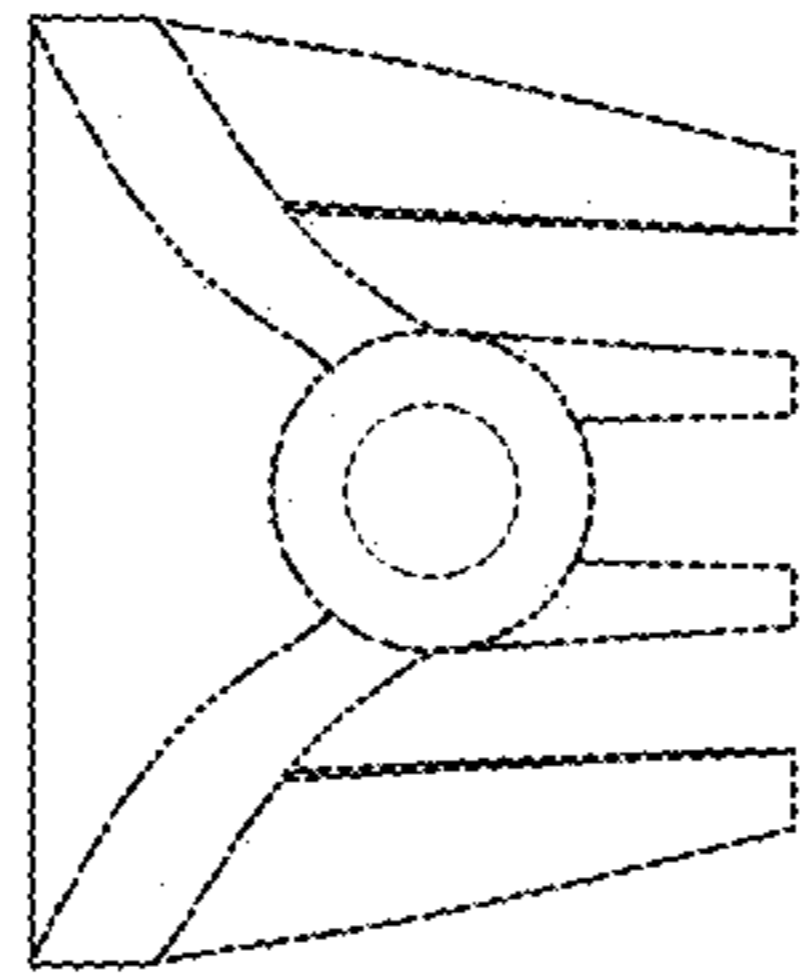


FIG.7



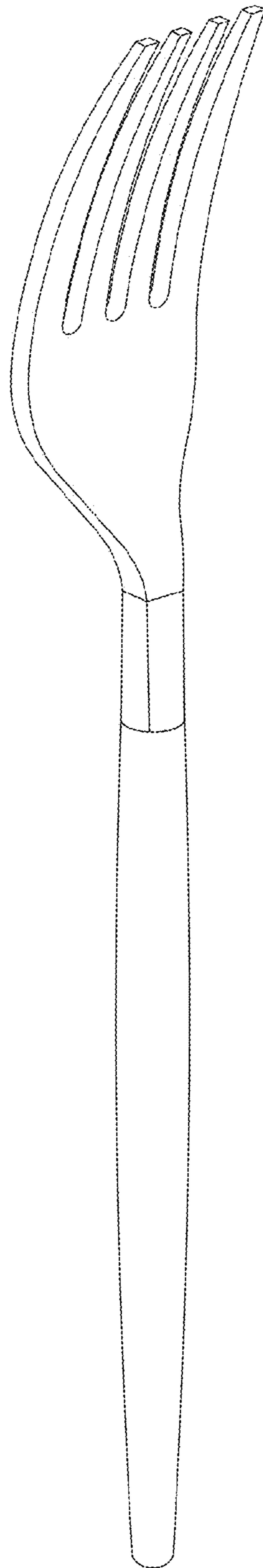


FIG. 8