



US00D977311S

(12) **United States Design Patent** (10) **Patent No.:** **US D977,311 S**
Li (45) **Date of Patent:** **** Feb. 7, 2023**

(54) **PICKLE JAR**
(71) Applicant: **Shenzhen Xin Chang Tu Technology Co., Ltd., Shenzhen (CN)**
(72) Inventor: **Min Li, Shenzhen (CN)**
(**) Term: **15 Years**
(21) Appl. No.: **29/790,727**
(22) Filed: **Dec. 13, 2021**
(51) **LOC (14) Cl.** **09-02**
(52) **U.S. Cl.**
USPC **D7/612**
(58) **Field of Classification Search**
USPC D7/300, 305, 589, 590, 591, 598, 601, D7/602, 612, 614, 619.1, 354, 369, 397; D9/737, 761, 516, 537, 538, 540, 547, D9/549, 569, 435; D10/40, 41
CPC .. A47G 19/2266; B65D 1/02; B65D 81/3837; B65D 1/10; B65D 21/00; B65D 25/04; B65D 41/04; B65D 43/02; A47J 31/00; A47J 31/40
See application file for complete search history.

D455,963 S * 4/2002 Schmitt D9/516
D589,752 S * 4/2009 Fetting D7/510
D780,604 S * 3/2017 Phairas D10/44
D822,490 S * 7/2018 Ruleman, Jr. D9/519
D847,667 S * 5/2019 van de Goor D10/41
D855,473 S 8/2019 Liu et al.
D856,070 S * 8/2019 Baron D7/392.1
D856,153 S 8/2019 Liu et al.
D862,233 S 10/2019 Lerman
D900,530 S * 11/2020 Kim D7/372
D929,232 S * 8/2021 Walters D9/503
D944,601 S * 3/2022 Ballard D7/630
D945,884 S * 3/2022 Shain D9/551
D953,817 S * 6/2022 Liu D7/615

* cited by examiner
Primary Examiner — Andrew Kerr
(74) *Attorney, Agent, or Firm* — Rumi Ranjit Kanakia

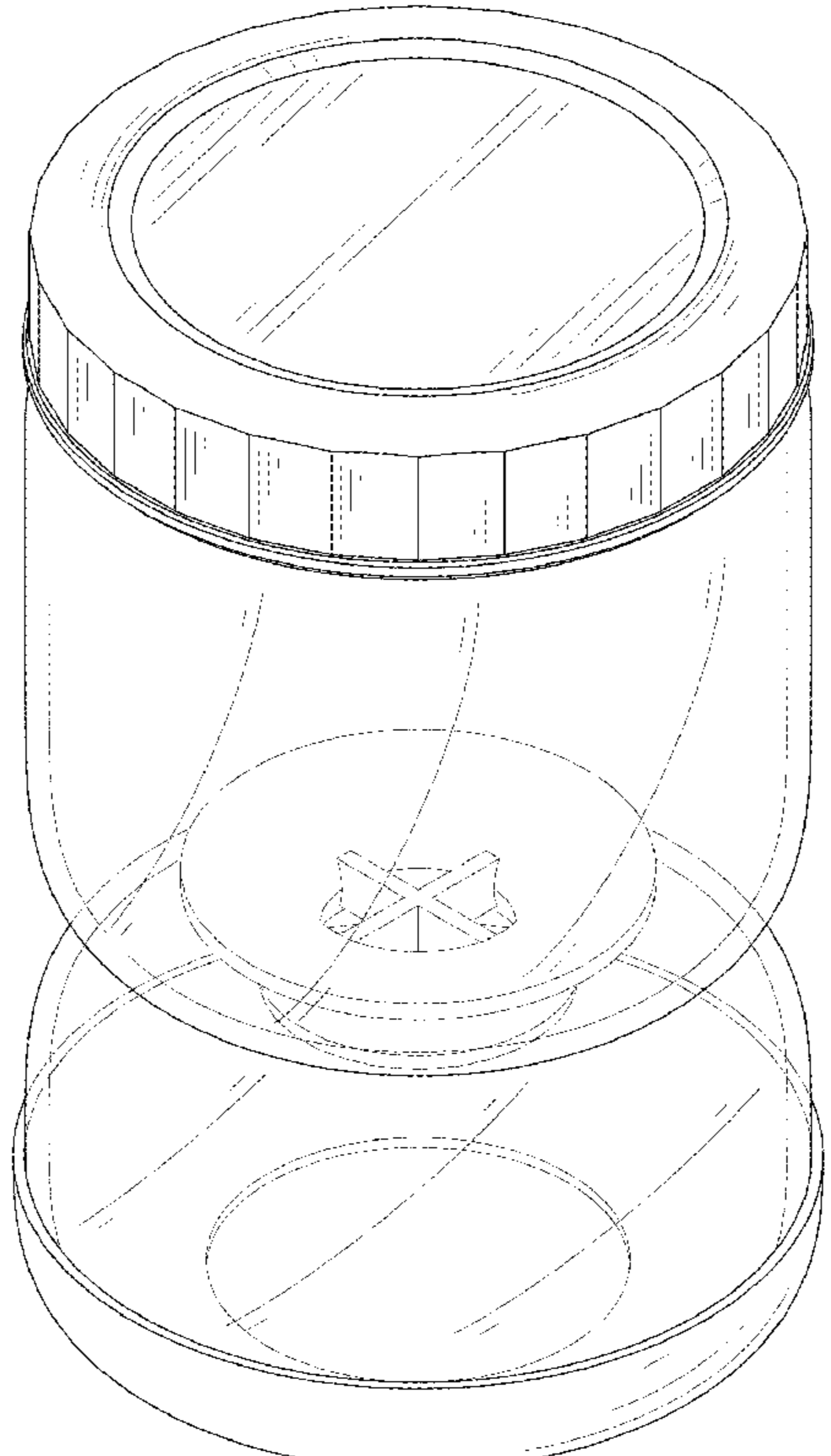
(57) **CLAIM**
The ornamental design for a pickle jar, as shown and described.

DESCRIPTION

FIG. 1 is a first perspective view of a pickle jar showing my new design;
FIG. 2 is a second perspective view thereof;
FIG. 3 is a front view thereof;
FIG. 4 is a back view thereof;
FIG. 5 is a left side view thereof;
FIG. 6 is a right side view thereof;
FIG. 7 is a top view thereof; and,
FIG. 8 is a bottom view thereof.

1 Claim, 8 Drawing Sheets

(56) **References Cited**
U.S. PATENT DOCUMENTS
2,664,854 A * 1/1954 Talbot A01K 97/04
134/135
D362,929 S * 10/1995 Strong D32/1
D406,532 S * 3/1999 Black D9/559



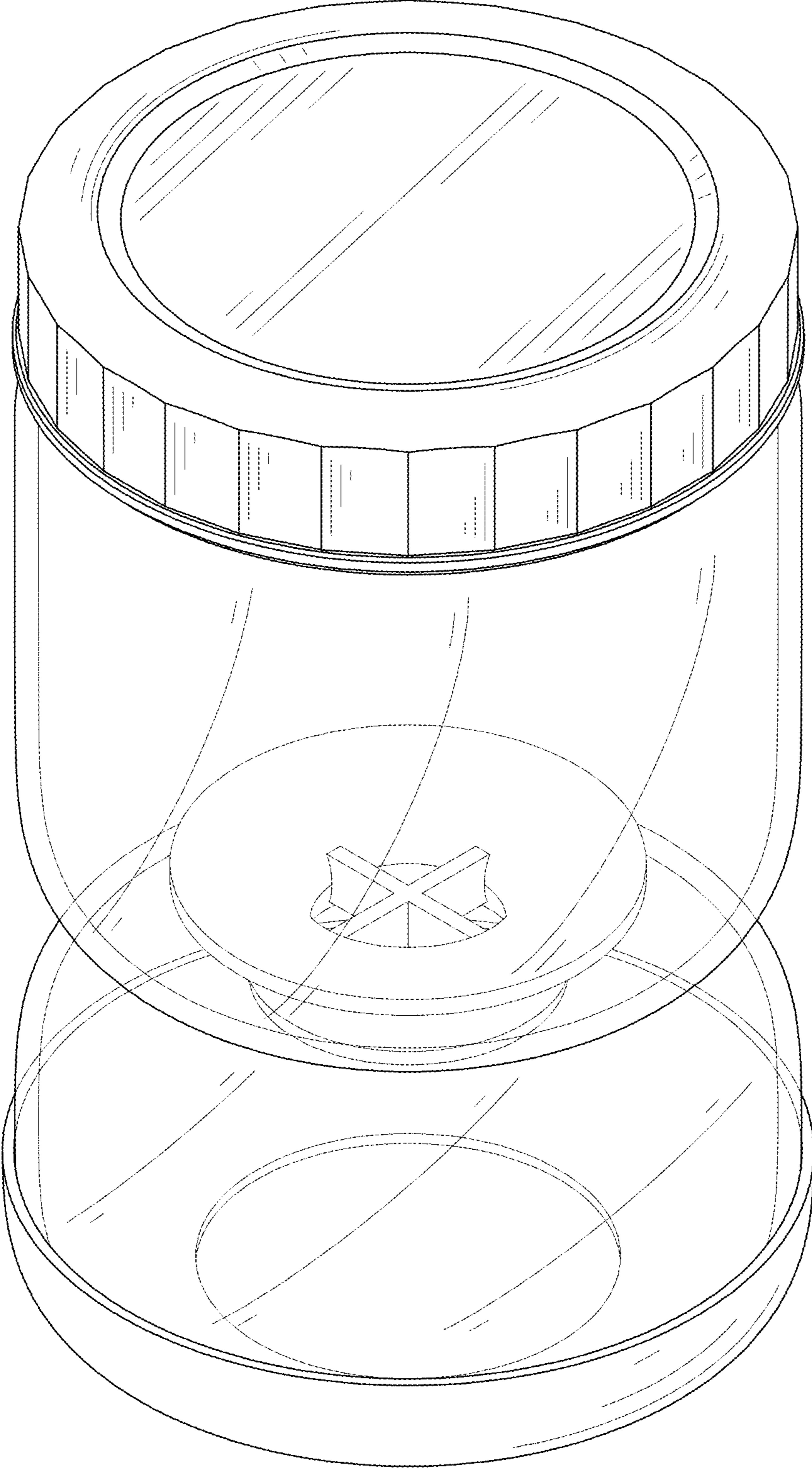


FIG. 1

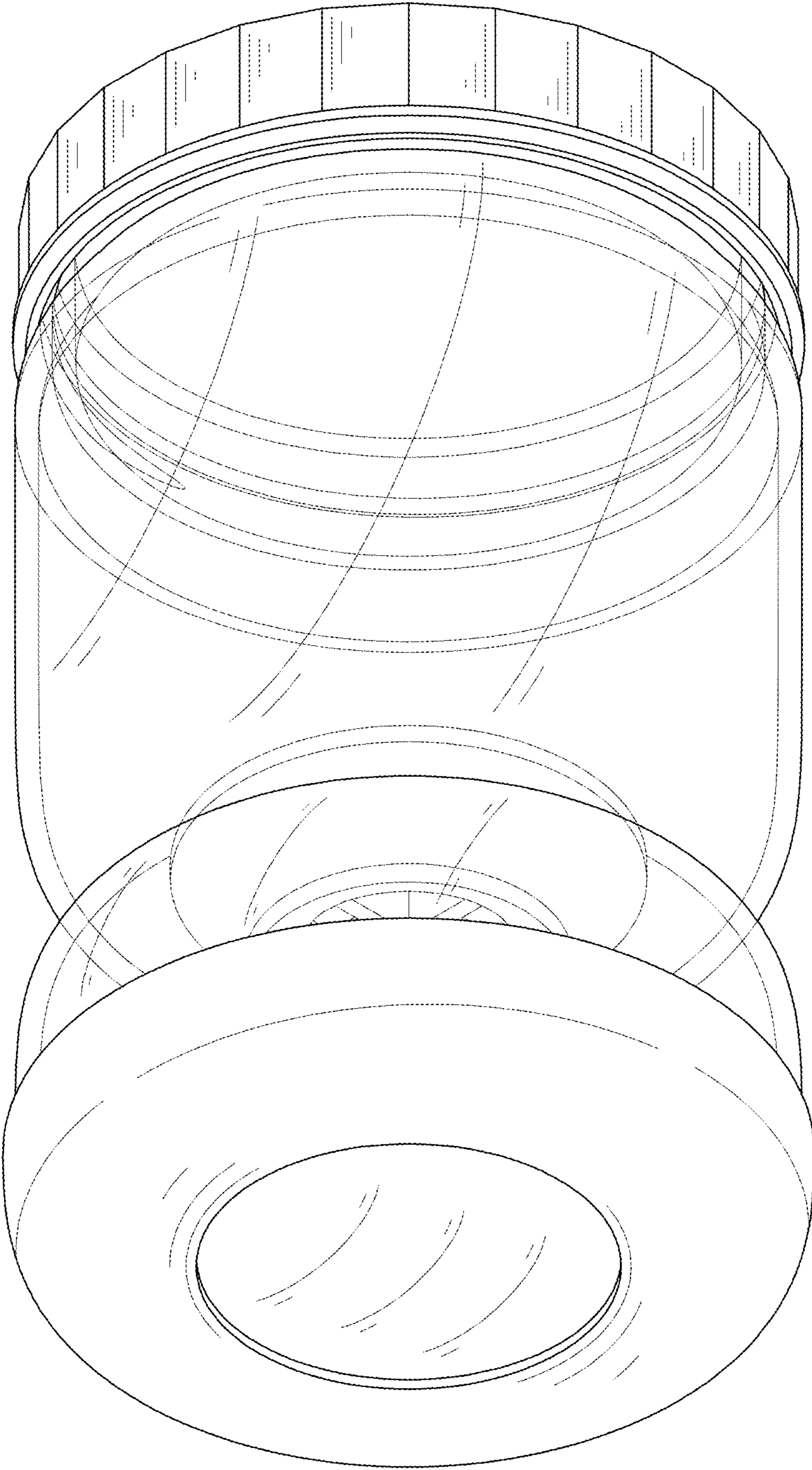


FIG. 2

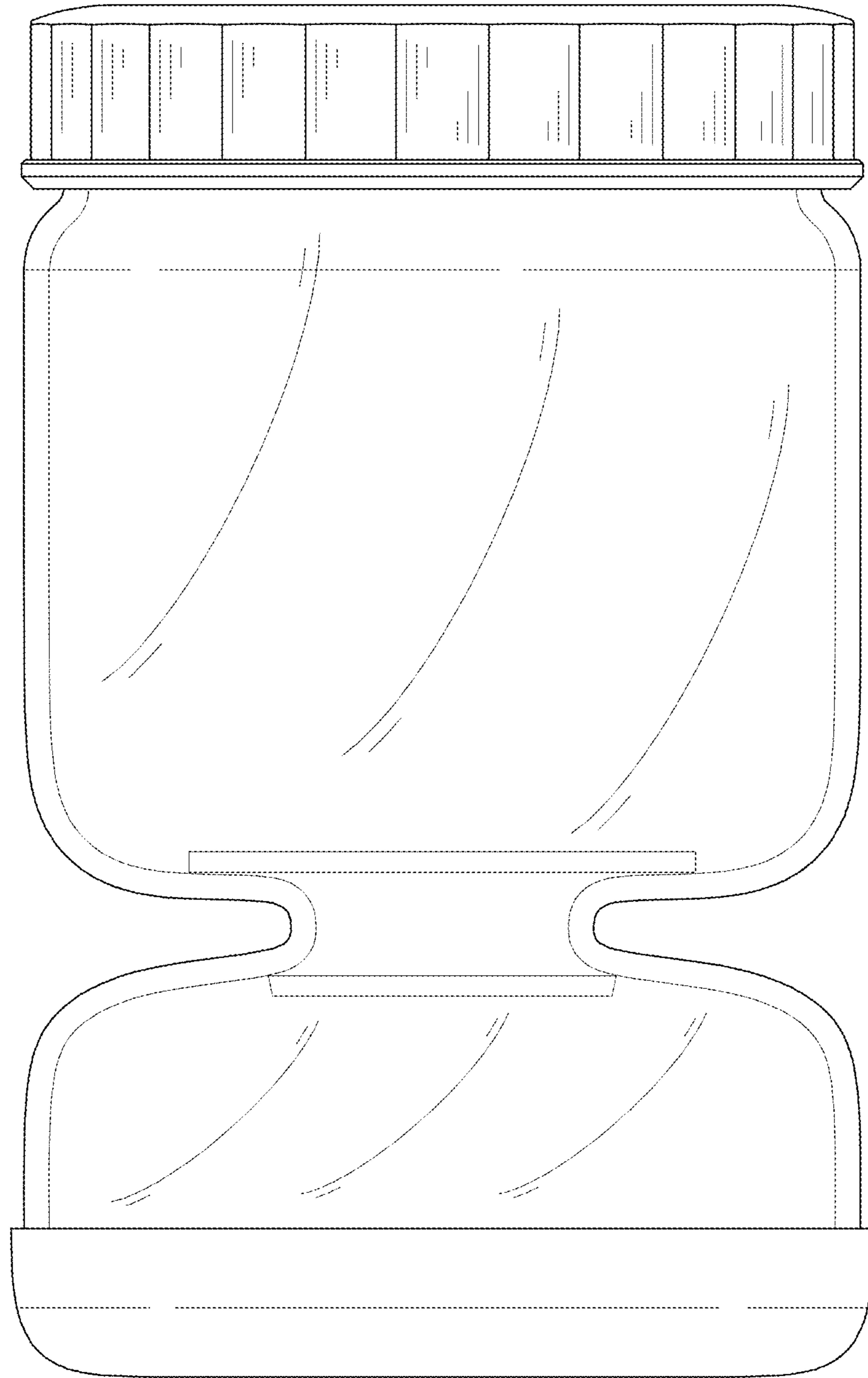


FIG. 3

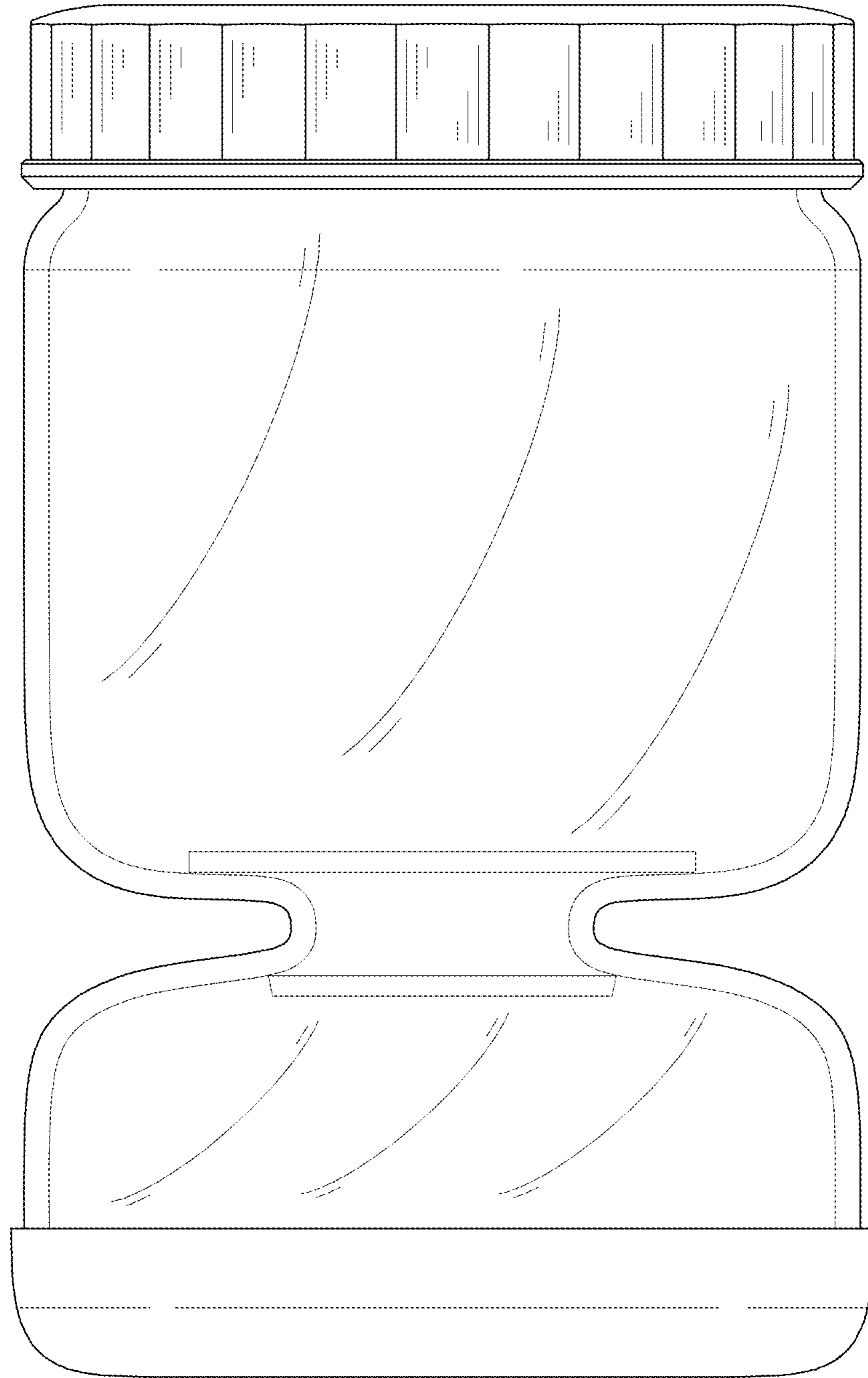


FIG. 4

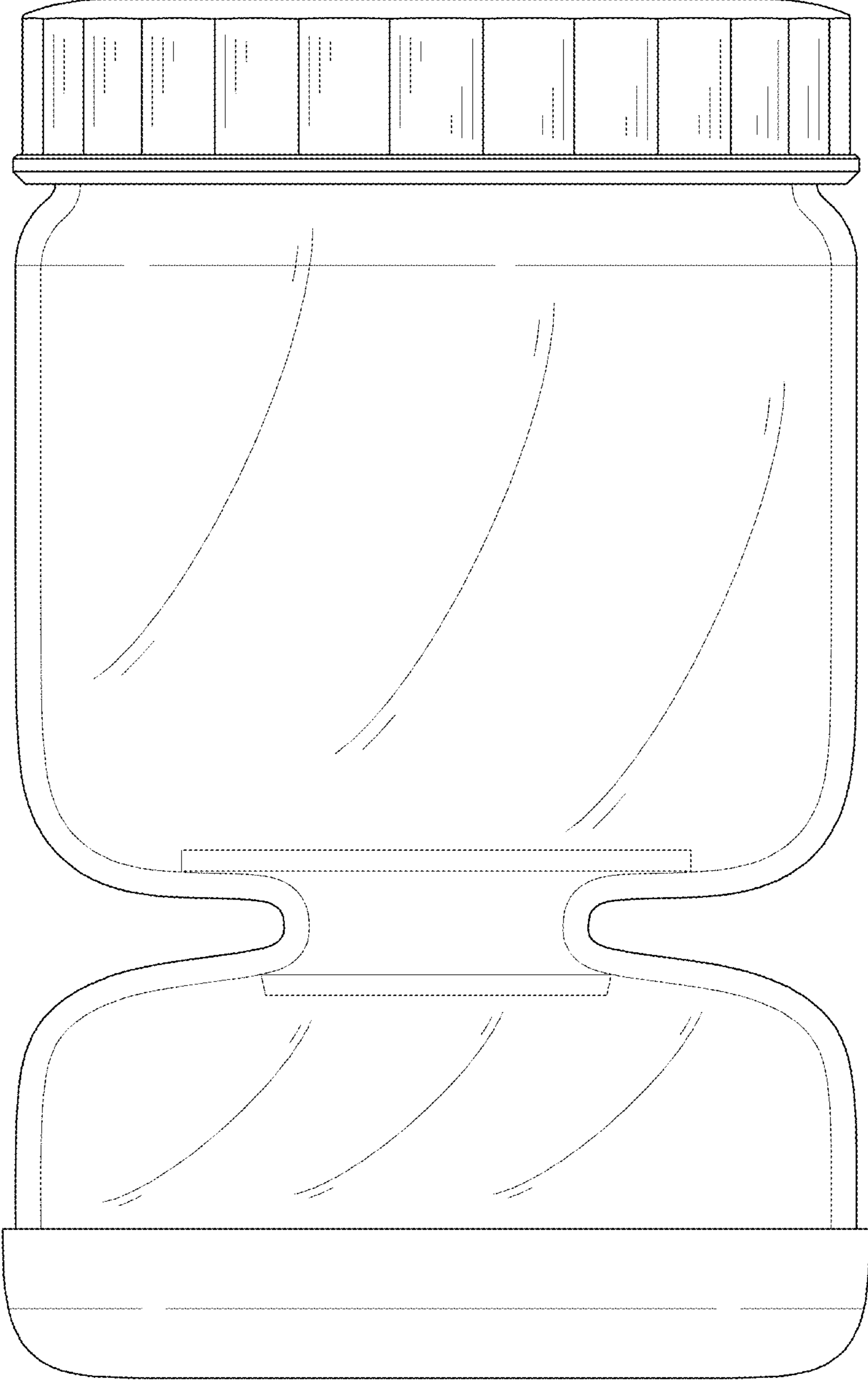


FIG. 5

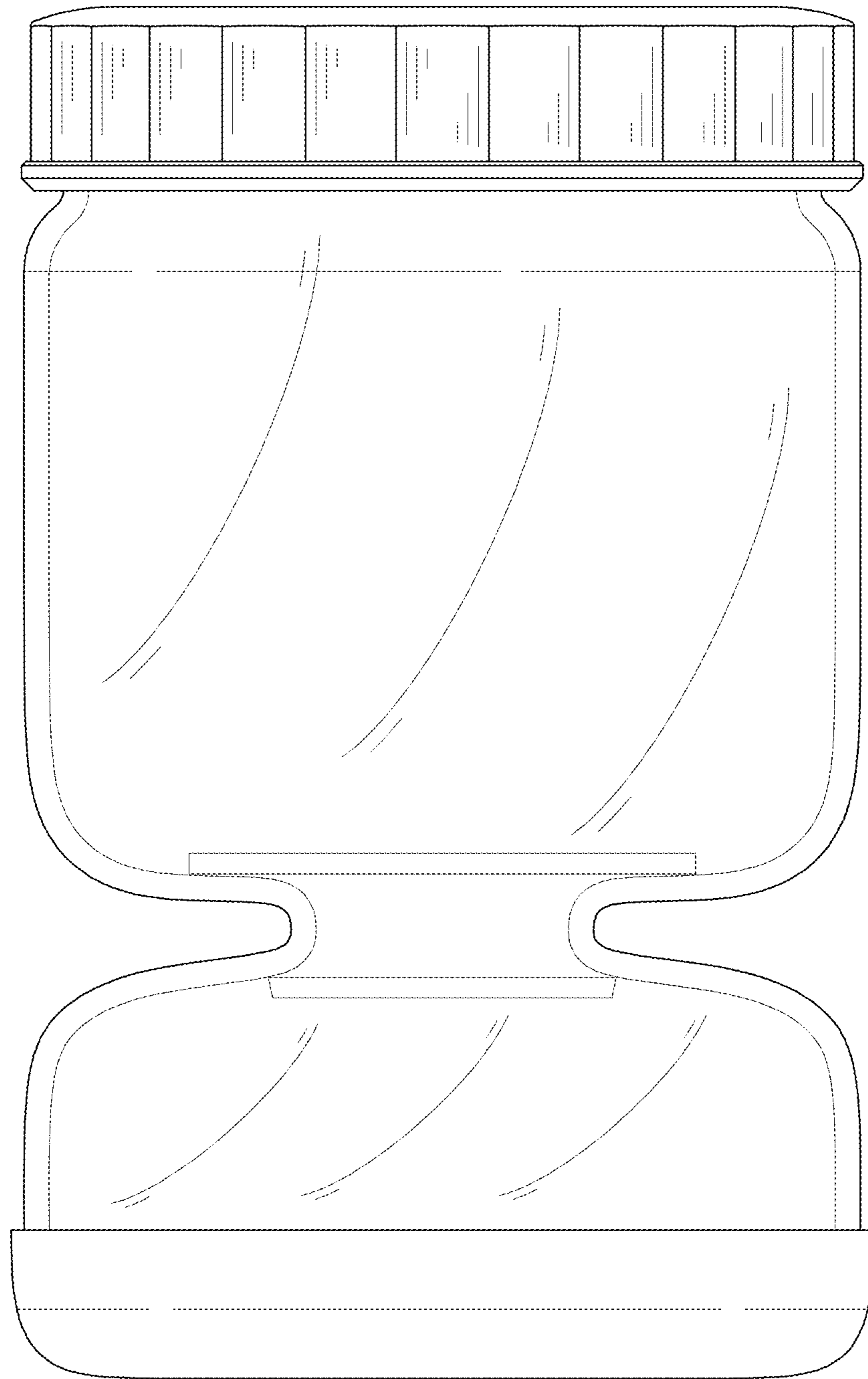


FIG. 6

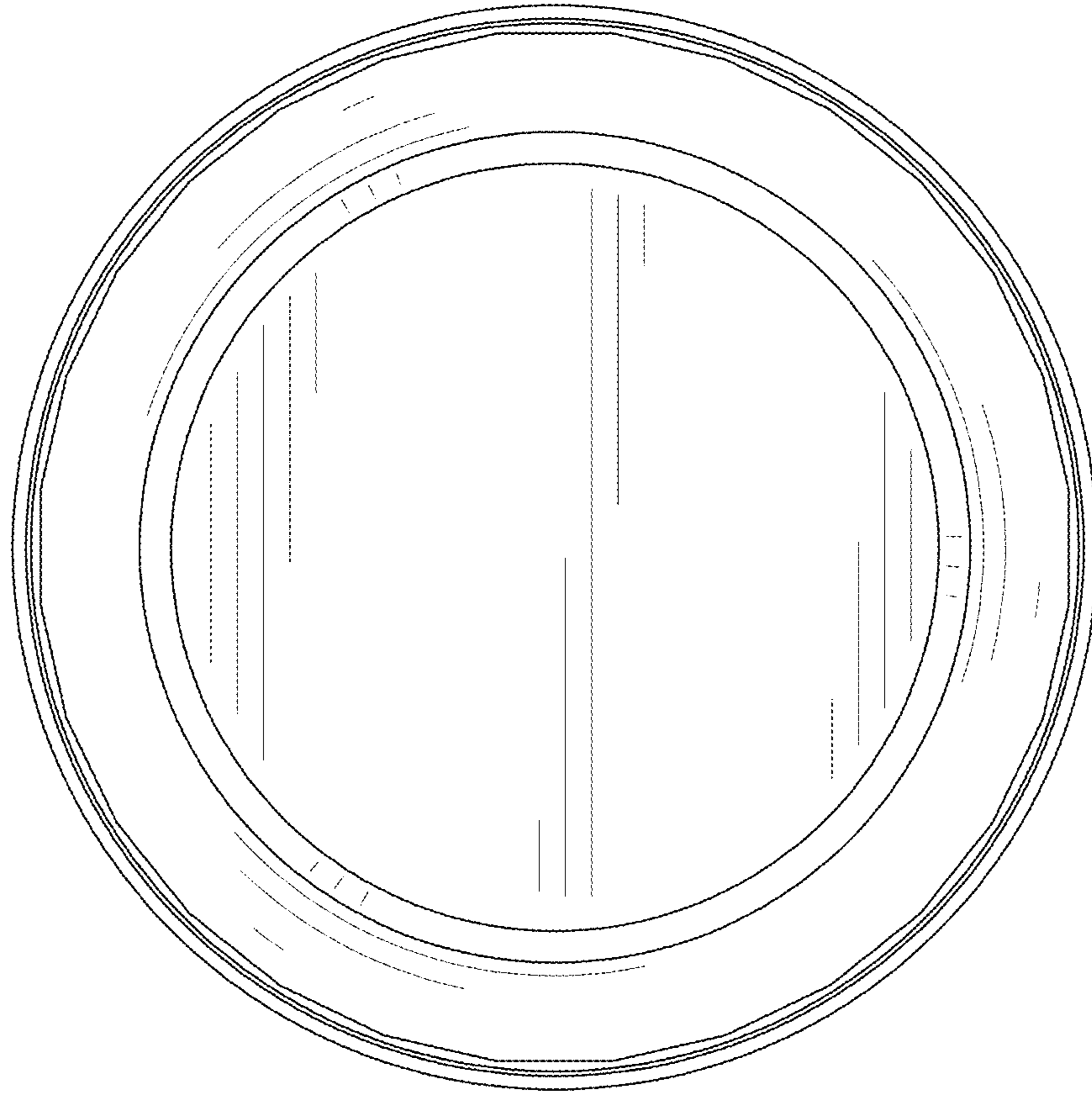


FIG. 7

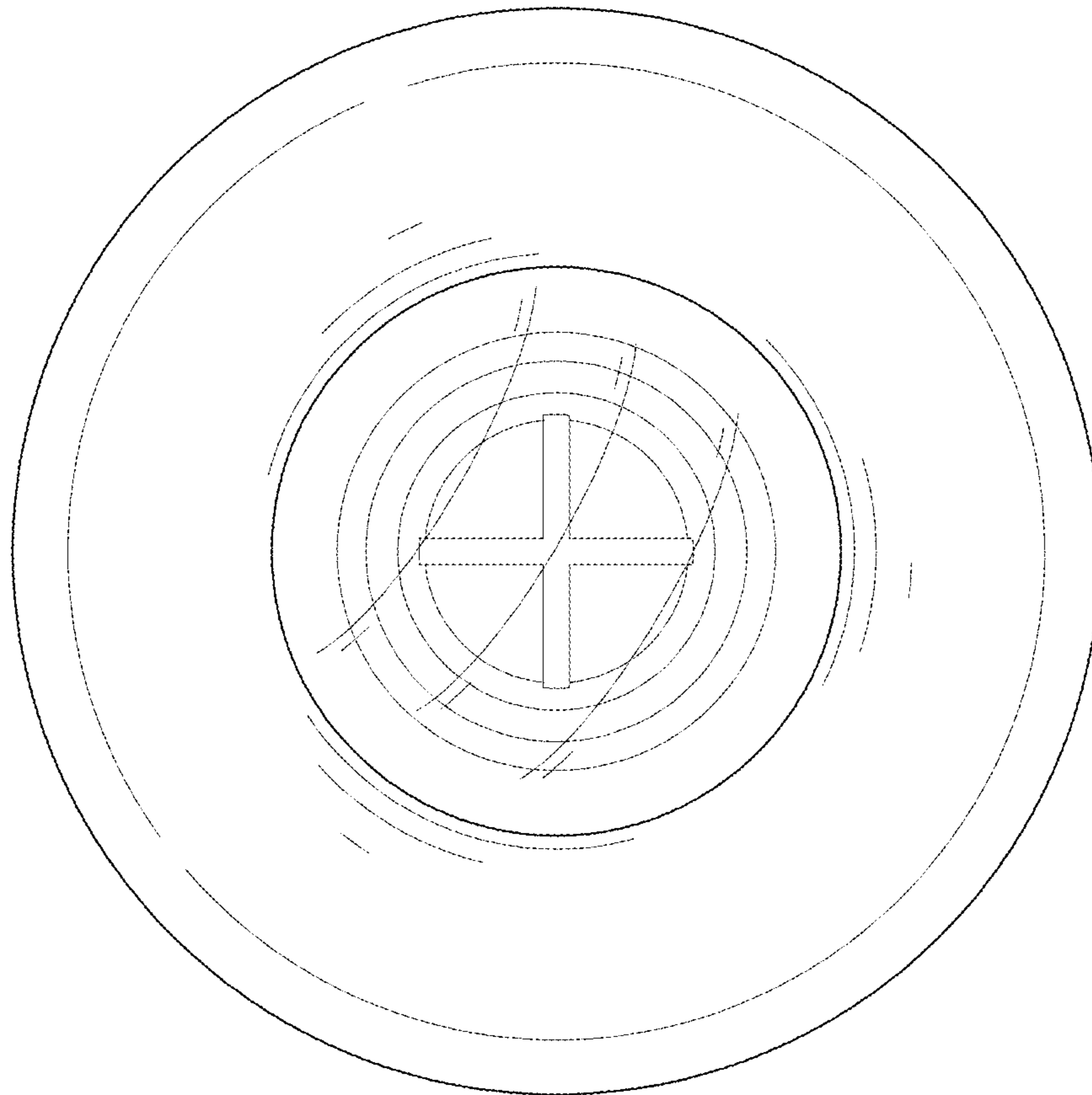


FIG. 8