



US00D977310S

(12) **United States Design Patent**  
**Wesenhagen**

(10) **Patent No.:** **US D977,310 S**

(45) **Date of Patent:** **\*\* Feb. 7, 2023**

(54) **CAKE SHIELD**

(71) Applicant: **Humphrey Wesenhagen**, Oro Valley,  
AZ (US)

(72) Inventor: **Humphrey Wesenhagen**, Oro Valley,  
AZ (US)

(\*\*) Term: **15 Years**

(21) Appl. No.: **29/769,176**

(22) Filed: **Feb. 4, 2021**

(51) **LOC (14) Cl.** ..... **07-07**

(52) **U.S. Cl.**  
USPC ..... **D7/610**

(58) **Field of Classification Search**  
USPC ..... D7/294, 319, 368, 388, 392.1, 420,  
D7/548-549, 555, 601-603, 605,  
D7/610-611, 629-630, 637, 708.1, 709;  
D9/414-416, 423-425, 427, 430-432,  
D9/759-761; D3/309  
CPC ..... A47G 19/26; A47G 2200/08; A47G 19/00  
See application file for complete search history.

(56) **References Cited**

U.S. PATENT DOCUMENTS

- 491,322 A \* 2/1893 Mitchell ..... A47J 37/0676  
D7/388
- 1,125,855 A \* 1/1915 Mapes ..... A47G 19/26  
D7/610
- 1,707,539 A \* 4/1929 Propp ..... G09F 13/00  
428/7
- 2,283,704 A \* 5/1942 Steudel ..... A47F 3/14  
D7/610
- 2,960,770 A \* 11/1960 Valenta ..... F21V 35/00  
33/525
- D246,026 S \* 10/1977 Stahel ..... D7/667
- D255,751 S \* 7/1980 Daenen ..... D7/667
- D256,844 S \* 9/1980 Conn ..... D26/14
- 4,452,581 A \* 6/1984 Panehal ..... A21B 3/13  
425/464

- D285,159 S \* 8/1986 Wexler ..... D7/610
  - 4,721,455 A \* 1/1988 Barfus ..... F21V 35/00  
D7/610
  - D312,756 S \* 12/1990 Crisci ..... D7/610
- (Continued)

FOREIGN PATENT DOCUMENTS

- CN 301378496 \* 11/2010
- CN 306271461 \* 1/2021

OTHER PUBLICATIONS

Birthday Candle Board, Celebrate! LLC, thebirthdaycandleboard.com, author unlisted, published on Apr. 19, 2017 per wayback machine © 2021 Celebrate! LLC, online, site visited Jun. 14, 2022. Available at URL: <https://www.thebirthdaycandleboard.com/> (Year: 2017).\*

(Continued)

*Primary Examiner* — Holly E Thurman  
*Assistant Examiner* — Altaira J Swangin

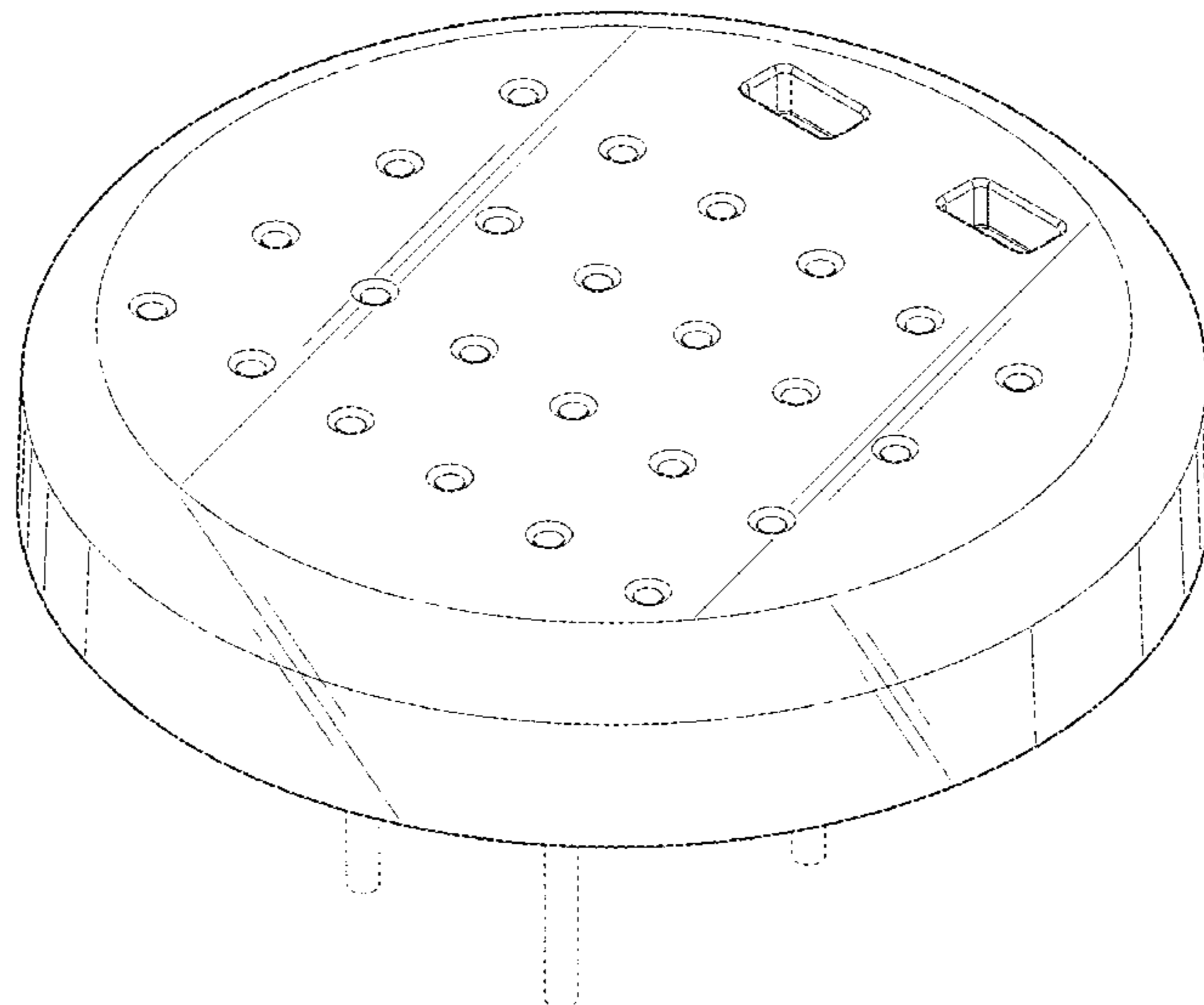
(57) **CLAIM**

The ornamental design for a cake shield, as shown and described.

**DESCRIPTION**

FIG. 1 is a front perspective view of a cake shield, showing my new design;  
FIG. 2 is a front view thereof;  
FIG. 3 is a rear view thereof;  
FIG. 4 is a left side view thereof;  
FIG. 5 is a right side view thereof;  
FIG. 6 is a top view thereof;  
FIG. 7 is a bottom view thereof; and,  
FIG. 8 is a perspective view of the cake shield of FIG. 1, shown in use over a cake.  
The broken lines in the drawings, showing the environment of a cake and candles in FIG. 8, form no part of the claimed design.

**1 Claim, 8 Drawing Sheets**



(56)

**References Cited**

U.S. PATENT DOCUMENTS

D318,399	S	*	7/1991	DeAre	.....	D7/610
D391,440	S	*	3/1998	Cousins	.....	D7/545
D445,638	S	*	7/2001	Bodum	.....	D7/388
D526,840	S	*	8/2006	Carlson	.....	D7/392.1
D568,093	S	*	5/2008	Hocutt	.....	D7/356
D611,300	S	*	3/2010	Chen	.....	D7/409
D618,497	S	*	6/2010	Malaspino	.....	D7/545
D627,191	S	*	11/2010	Fain	.....	D7/368
D641,216	S	*	7/2011	Chen	.....	D7/667
D689,325	S	*	9/2013	Ortegon	.....	D7/354
D689,326	S	*	9/2013	Ortegon	.....	D7/354
D726,367	S	*	4/2015	Dukat	.....	D27/167
D738,546	S	*	9/2015	Aubrey	.....	D26/22
D747,221	S	*	1/2016	Changpan	.....	D9/425
10,039,398	B1	*	8/2018	Daneshvar	.....	F21V 35/00
D830,780	S	*	10/2018	Keen	.....	D7/549
D917,224	S	*	4/2021	Kubota	.....	D7/392.1

OTHER PUBLICATIONS

Perforated Deep Dish Pizza Pan—Round, Lloyd Pans, Lloydpans.com, author unlisted, published on Jan. 1, 2021 per wayback machine © 2021 Lloyd Industries, online, site visited Jun. 14, 2022. Available at URL: <https://lloydpans.com/perforated-deep-dish.html> (Year: 2021).\*

\* cited by examiner

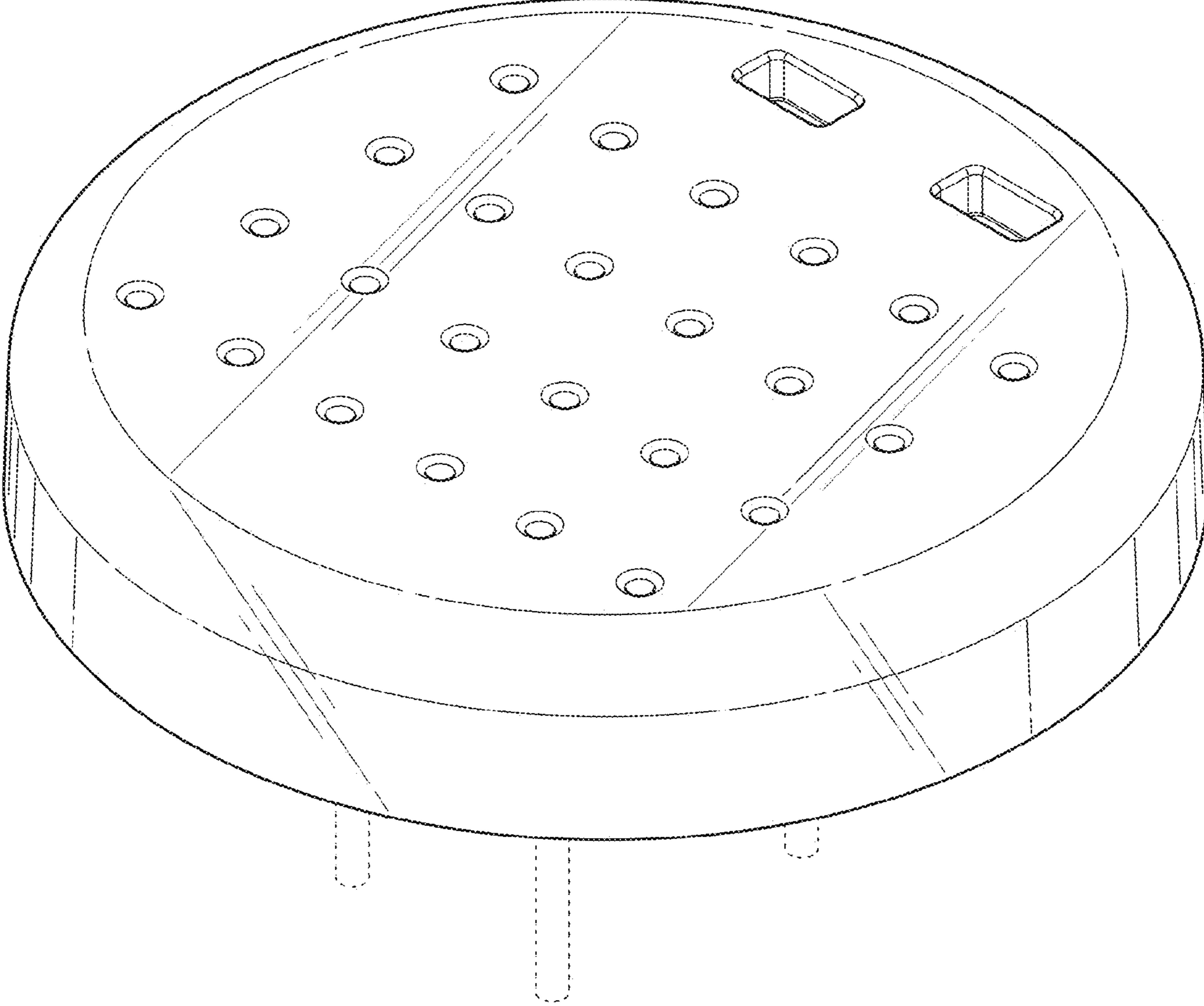


FIG. 1

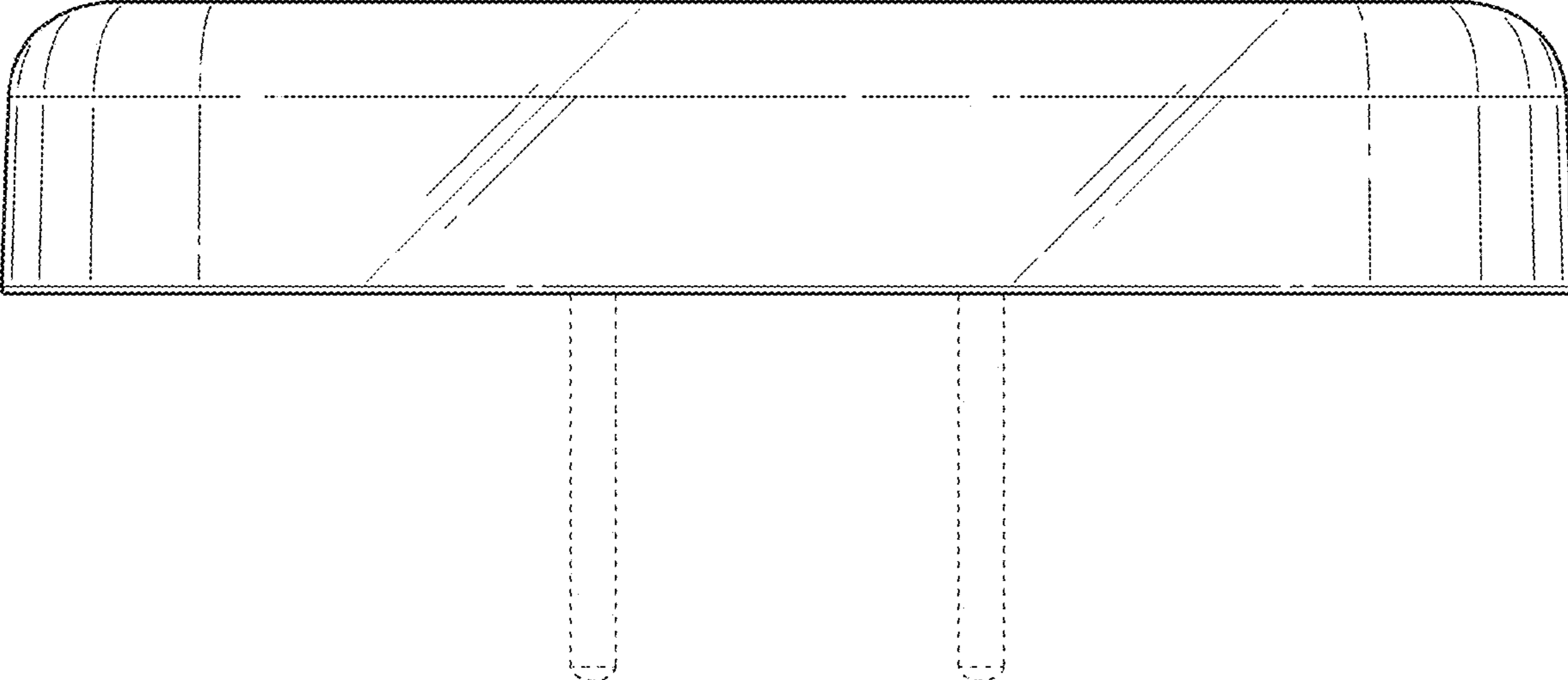


FIG. 2

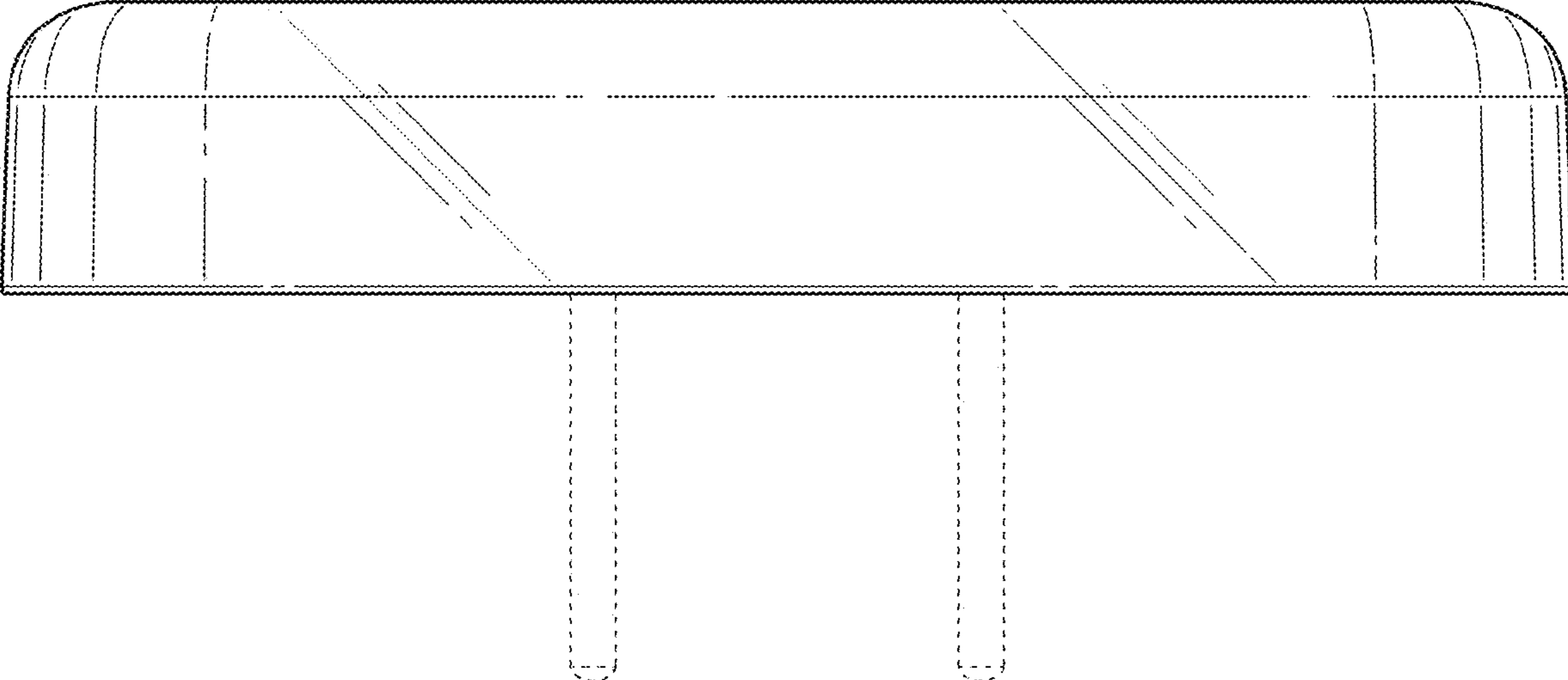


FIG. 3

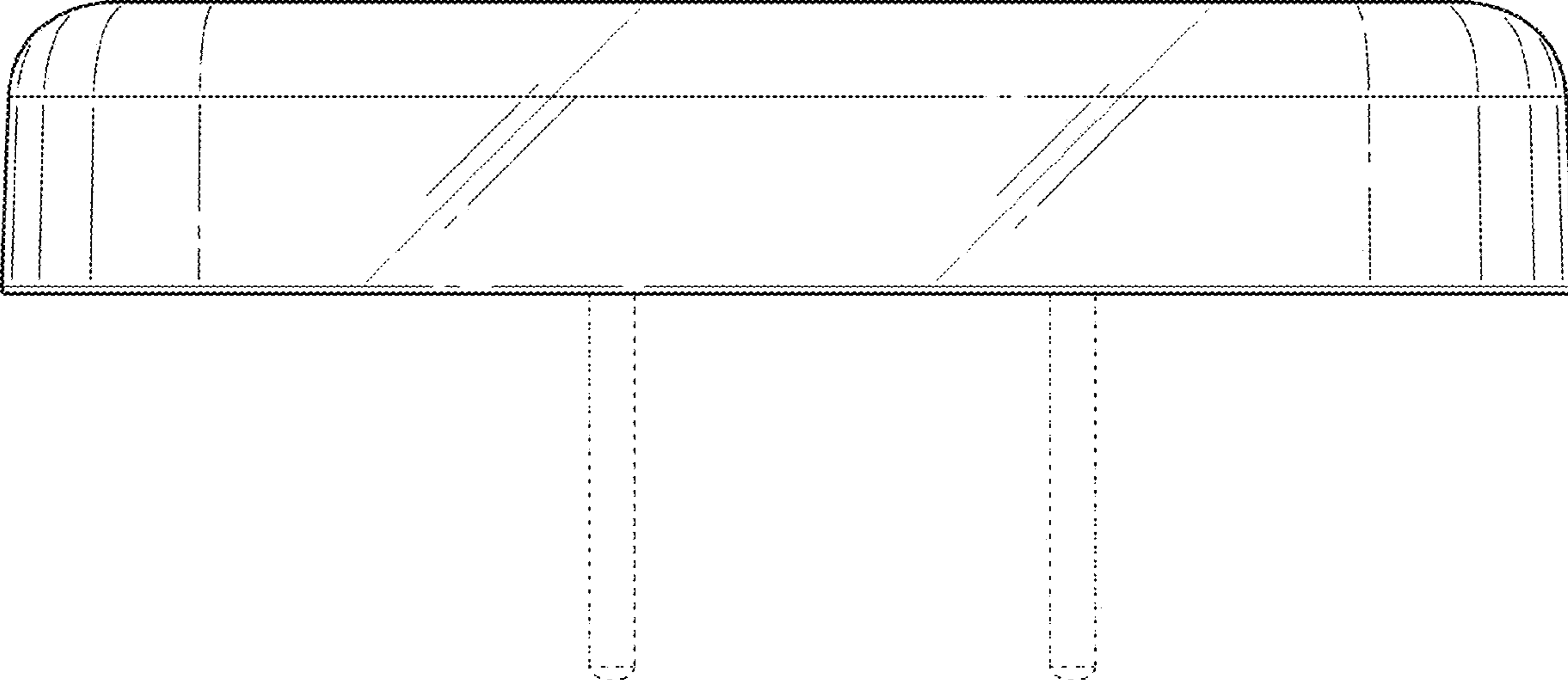


FIG. 4

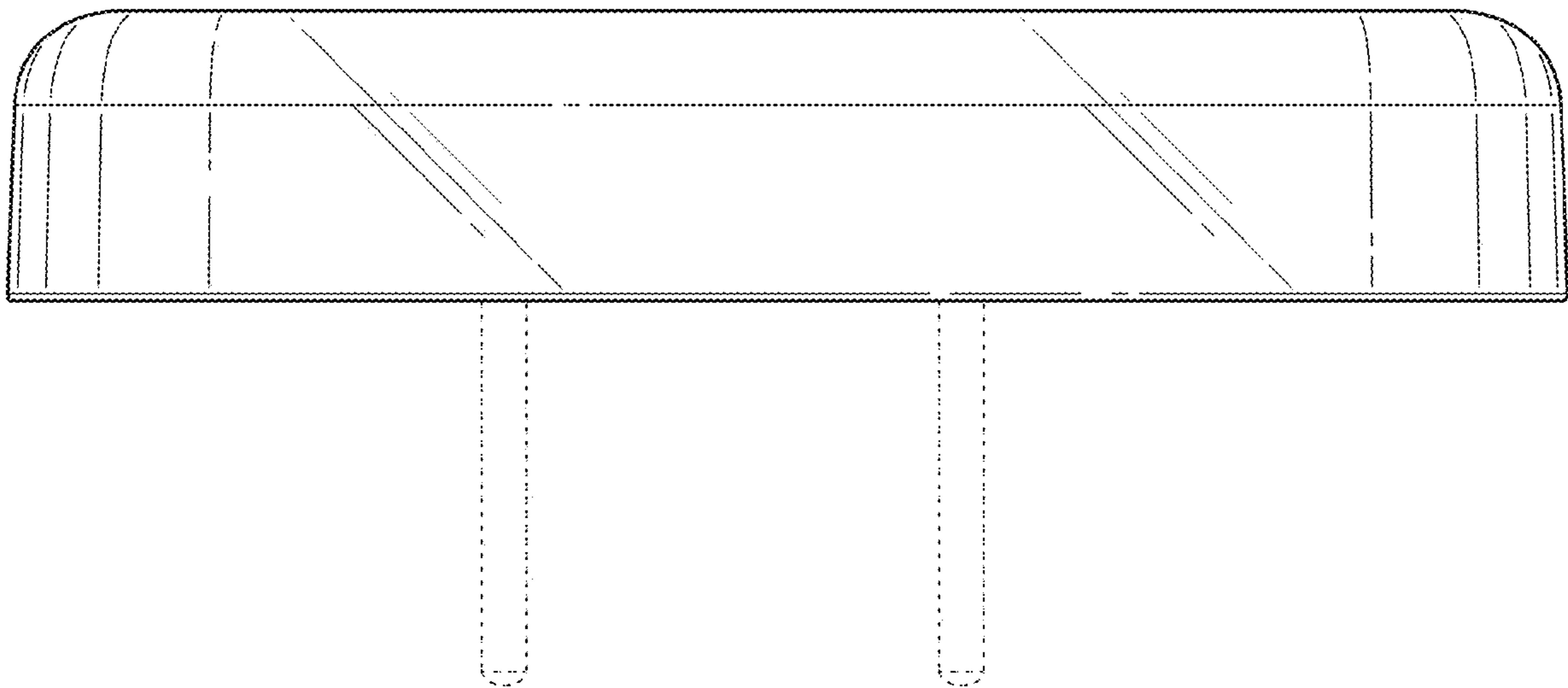


FIG. 5



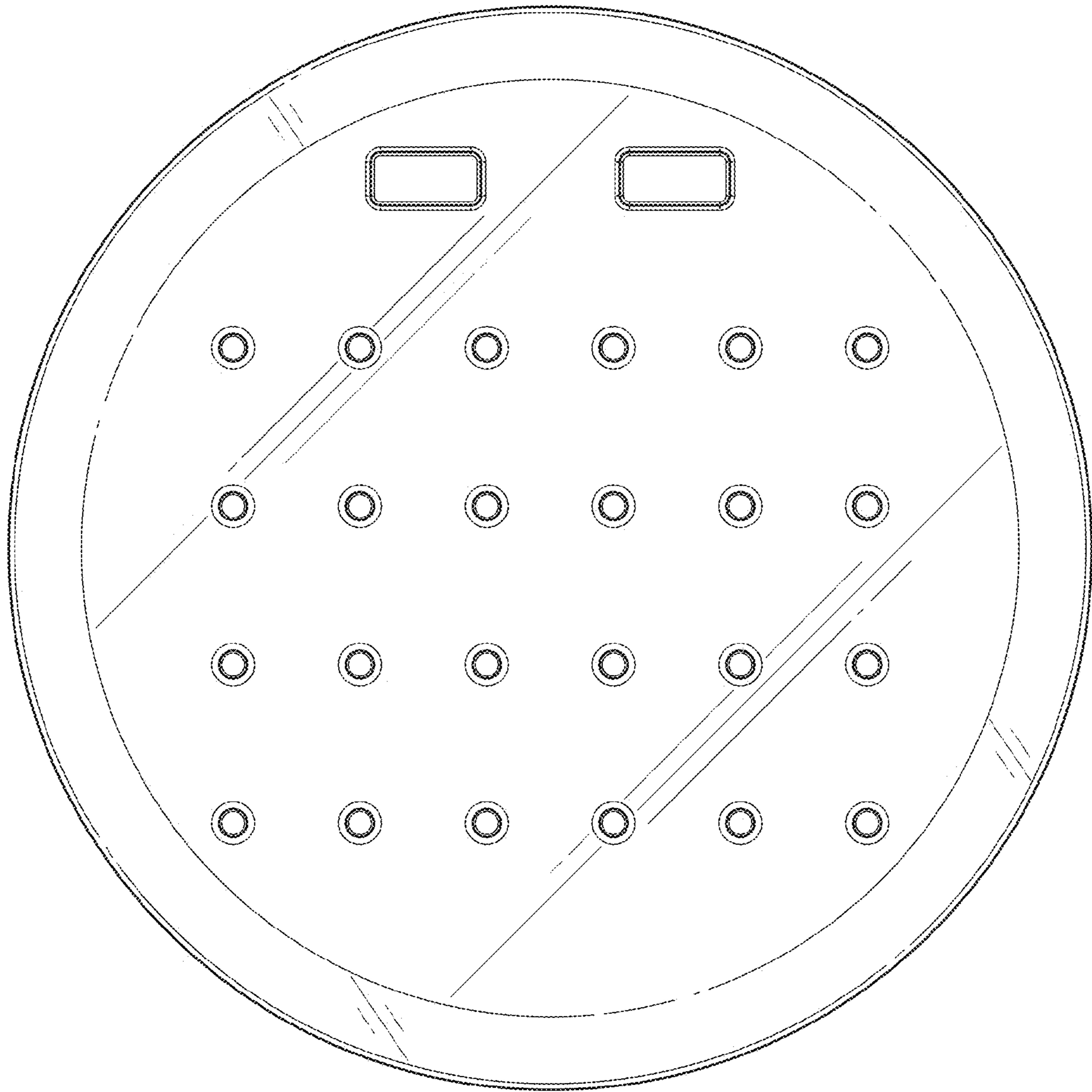


FIG. 6



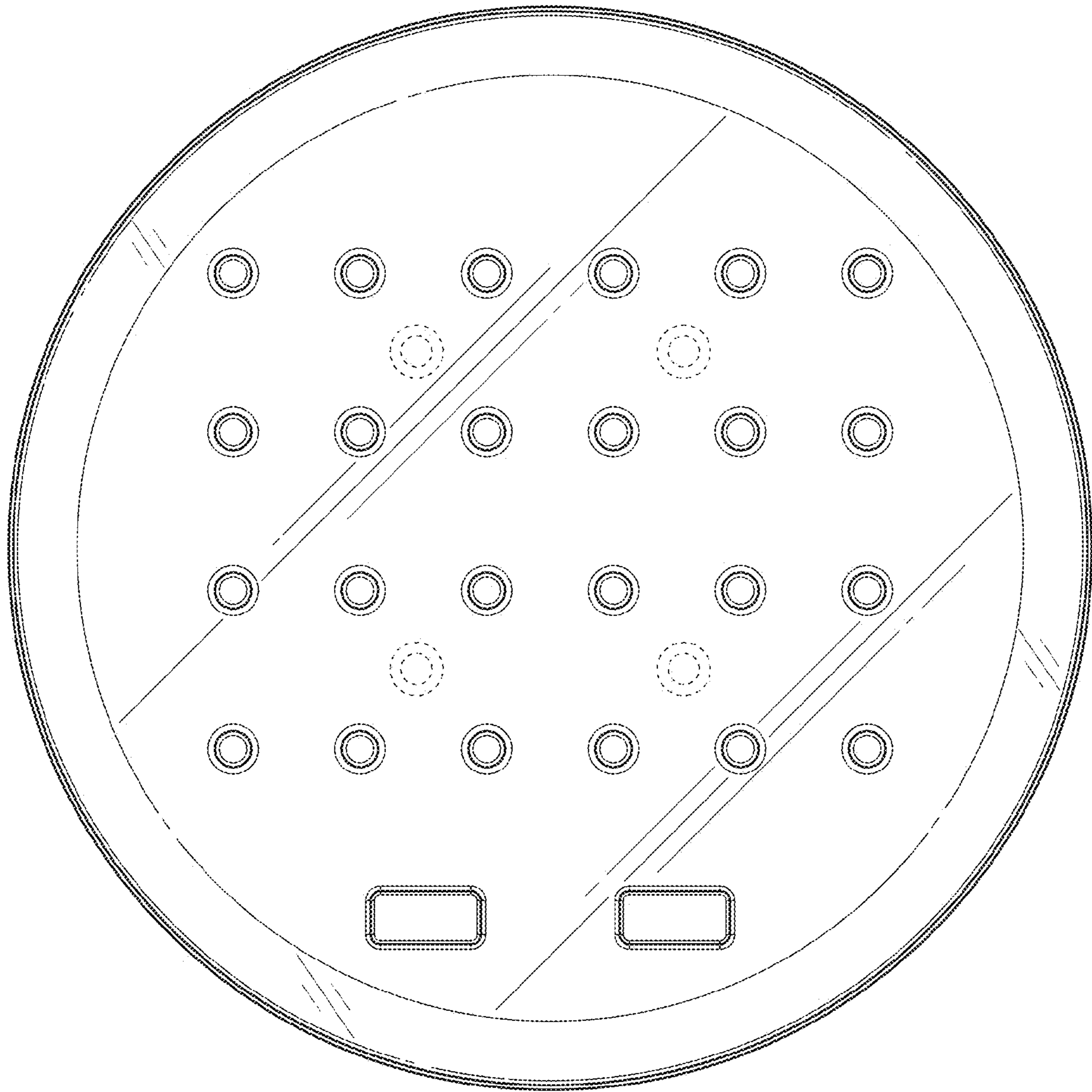


FIG. 7

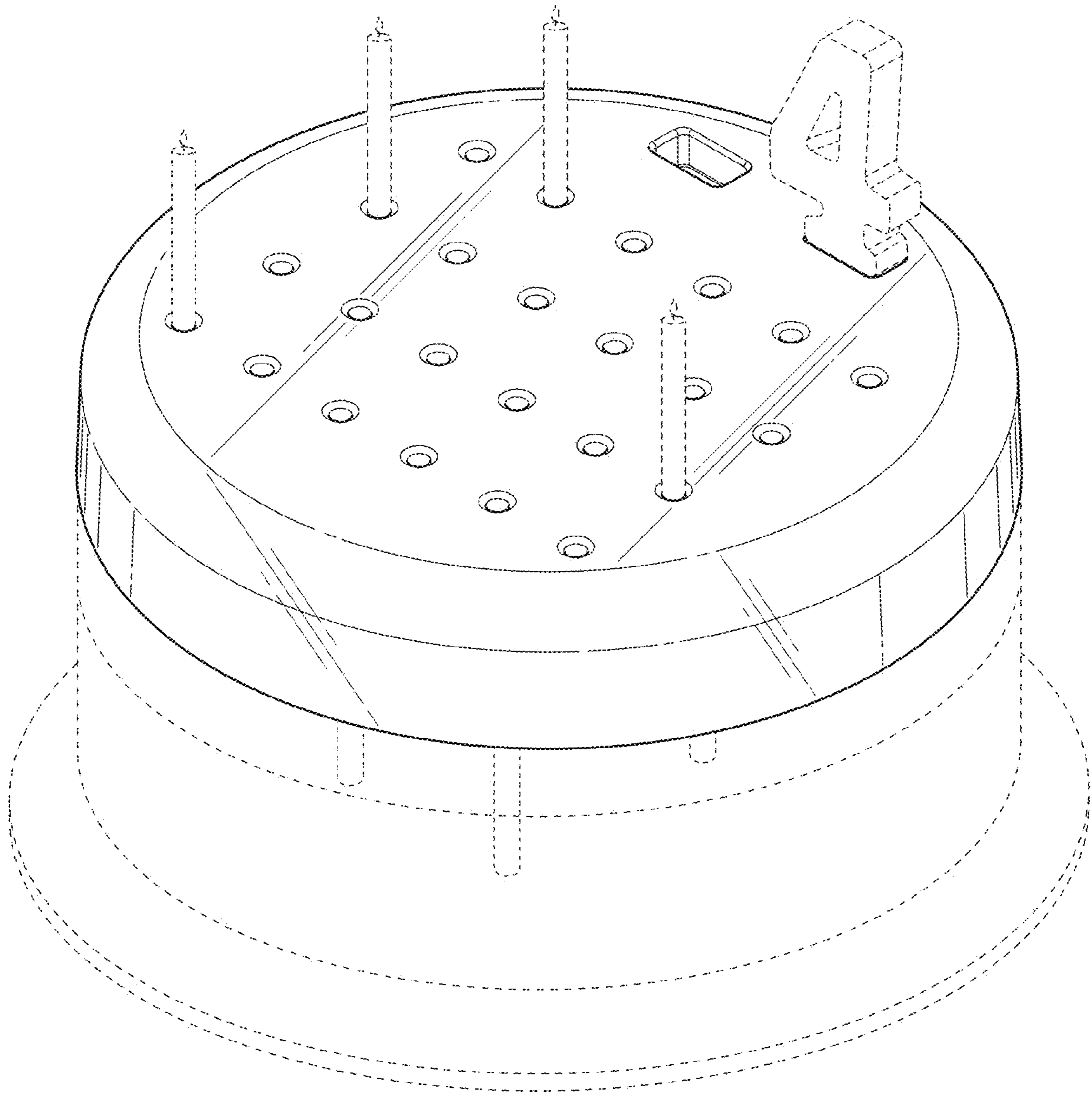


FIG. 8