



US00D977307S

(12) **United States Design Patent**  
**Shen**

(10) **Patent No.:** **US D977,307 S**

(45) **Date of Patent:** **\*\* Feb. 7, 2023**

(54) **SOUFFLE CUP**

(71) Applicant: **Yuankui Kui Shen**, Jinhua (CN)

(72) Inventor: **Yuankui Kui Shen**, Jinhua (CN)

(\*\*) Term: **15 Years**

(21) Appl. No.: **29/744,714**

(22) Filed: **Jul. 30, 2020**

(51) **LOC (14) Cl.** ..... **07-01**

(52) **U.S. Cl.**  
USPC ..... **D7/584**

(58) **Field of Classification Search**  
USPC ..... D7/501, 610, 550.1, 554.1, 558, 500,  
D7/587, 584, 629, 585, 586, 588, 554.2,  
D7/630, 354, 543, 523; 108/142;  
220/574.3, 781; D9/416, 500, 429, 428;  
206/505

CPC .. B65D 21/086; B65D 51/185; B65D 21/022;  
B65D 43/0208; A47G 19/2283; A47G  
19/03; A47G 19/02; A47J 43/0727; A47J  
27/002

See application file for complete search history.

6,796,430 B2 \* 9/2004 Mercier ..... B65D 21/0222  
206/505

D606,402 S \* 12/2009 Diss ..... D9/500

D606,403 S \* 12/2009 Diss ..... D9/500

D607,329 S \* 1/2010 Diss ..... D9/500

D607,330 S \* 1/2010 Diss ..... D9/500

D646,925 S \* 10/2011 Okajima ..... D7/354

D651,866 S \* 1/2012 Smyers ..... D7/630

D652,266 S \* 1/2012 Smyers ..... D7/630

D685,263 S \* 7/2013 Danenberg ..... D9/500

D689,730 S \* 9/2013 Goto ..... D7/354

D695,110 S \* 12/2013 Houlton ..... D9/500

D746,641 S \* 1/2016 Panone ..... D7/602

D753,491 S \* 4/2016 Trombetta ..... D9/503

D761,061 S \* 7/2016 McConnell ..... D7/587

D793,170 S \* 8/2017 Karussi ..... D7/538

D794,393 S \* 8/2017 Karussi ..... D7/538

D794,394 S \* 8/2017 Karussi ..... D7/538

D824,216 S \* 7/2018 Nicoletos ..... D7/584

D825,335 S \* 8/2018 Buck ..... D9/500

D828,096 S \* 9/2018 Moore ..... D7/509

D845,715 S \* 4/2019 Brownell ..... D7/545

D848,226 S \* 5/2019 Joseph ..... D7/630

D877,618 S \* 3/2020 Baker ..... D9/500

(Continued)

*Primary Examiner* — Cynthia R Underwood  
(74) *Attorney, Agent, or Firm* — Antero Tormey Petrin;  
Pete Tormey

(57) **CLAIM**

The ornamental design for a souffle cup, as shown and described.

**DESCRIPTION**

FIG. 1 is a front perspective view  
FIG. 2 is a front view  
FIG. 3 is a back view  
FIG. 4 is a left side view  
FIG. 5 is a right side view  
FIG. 6 is a top view; and,  
FIG. 7 is a bottom view.

**1 Claim, 7 Drawing Sheets**

(56) **References Cited**

U.S. PATENT DOCUMENTS

948,434 A \* 2/1910 Scott ..... A47G 19/02  
220/532

2,412,325 A \* 12/1946 Devine ..... B65D 43/022  
206/508

D239,999 S \* 5/1976 Christian ..... D7/630

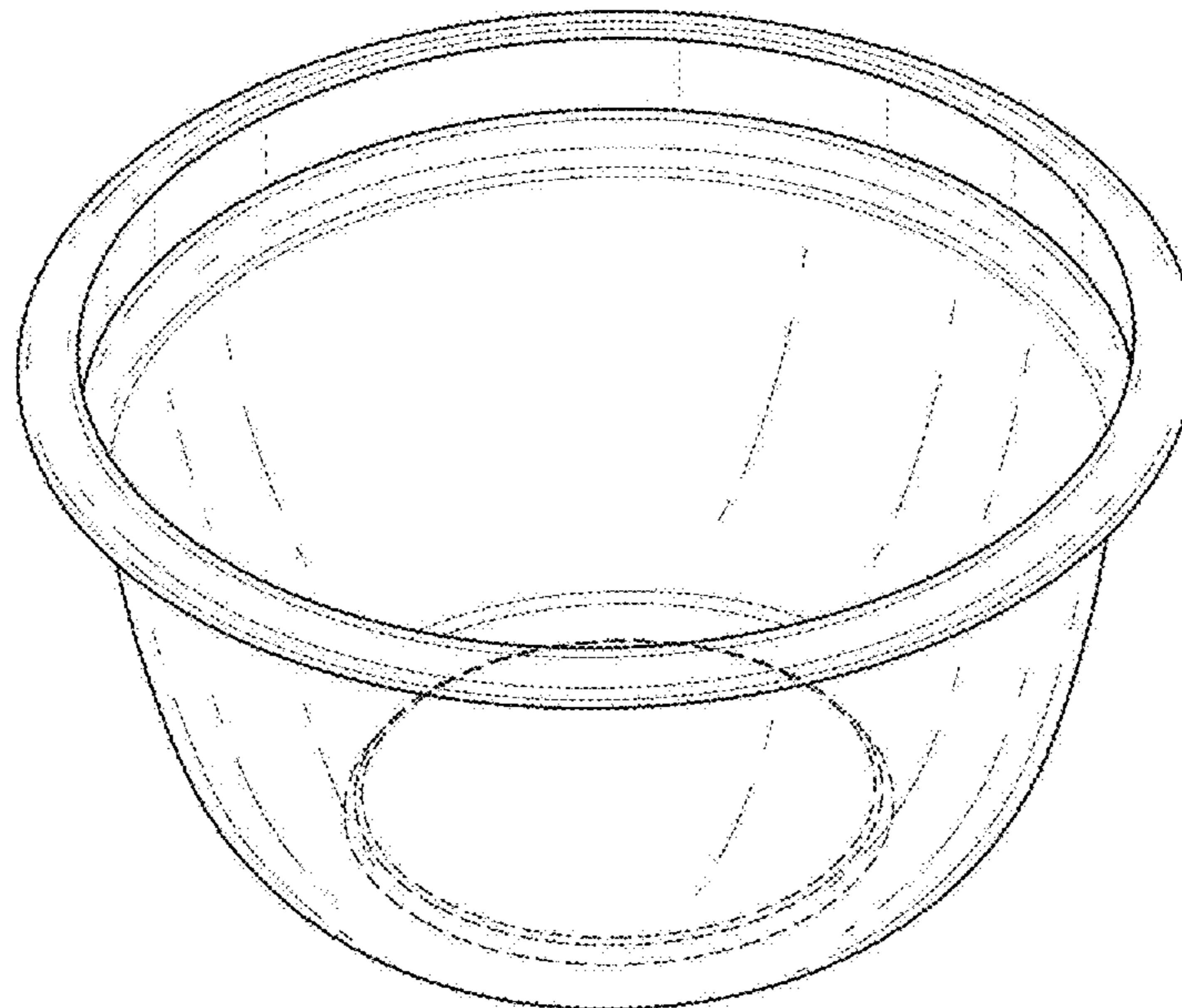
D256,205 S \* 8/1980 Bateman ..... D7/630

D256,310 S \* 8/1980 Daenen ..... D7/630

5,356,026 A \* 10/1994 Andress ..... B65D 21/0233  
206/508

5,769,229 A \* 6/1998 Andress ..... B65D 43/0212  
206/508

D453,094 S \* 1/2002 Maggard ..... D7/584



(56)

**References Cited**

U.S. PATENT DOCUMENTS

10,716,427	B2 *	7/2020	Putnam .....	B65D 85/8043
D896,037	S *	9/2020	Rollens .....	D7/584
D915,828	S *	4/2021	Schiermeier .....	D7/554.2
D916,543	S *	4/2021	Cheng .....	D7/354
D921,414	S *	6/2021	Cheng .....	D7/354
11,220,397	B2 *	1/2022	Lamb .....	E05F 1/1008
D942,216	S *	2/2022	Lin .....	D7/509
2014/0308406	A1 *	10/2014	O'Brien .....	C08K 3/34 524/451

\* cited by examiner

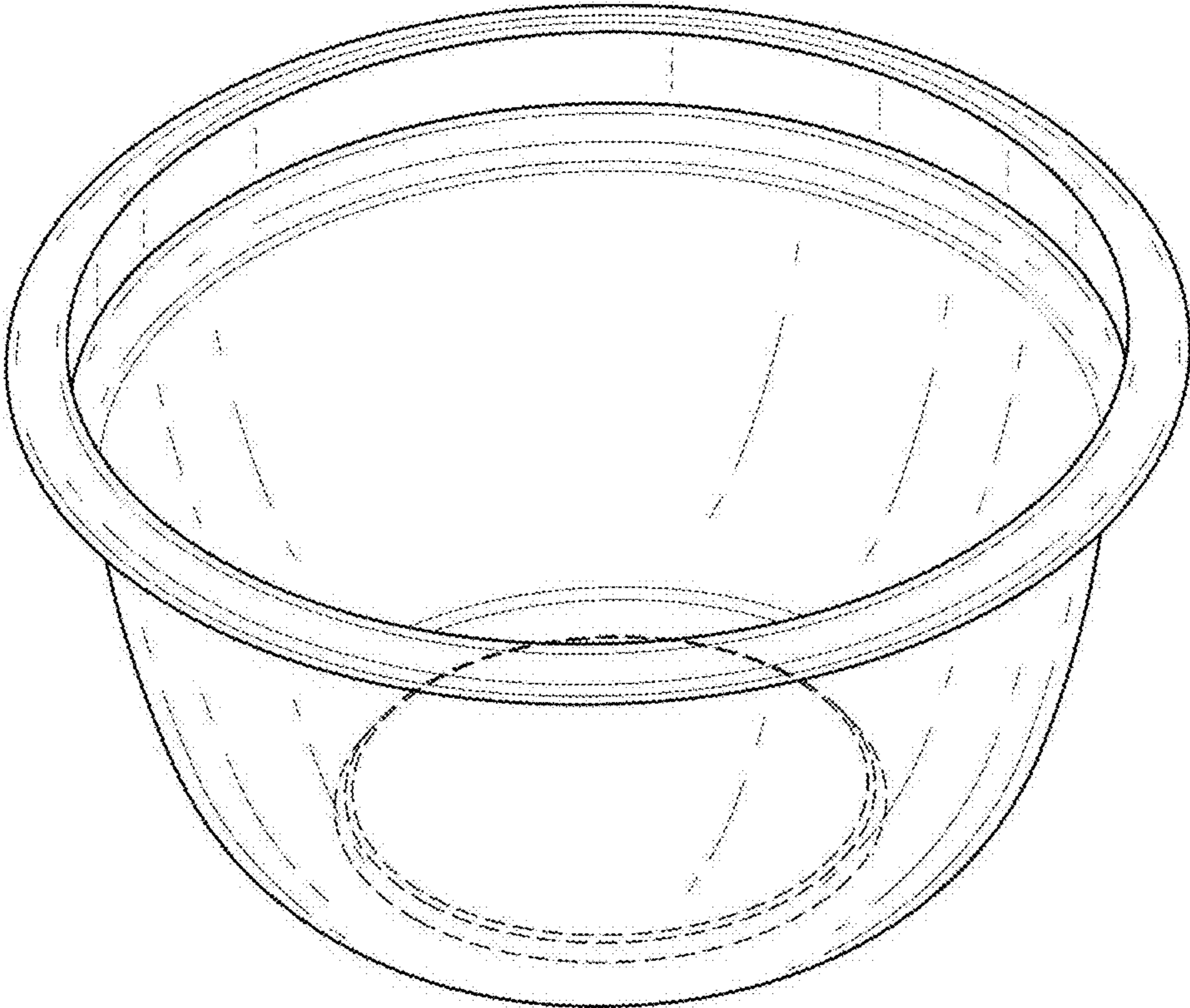


FIG. 1

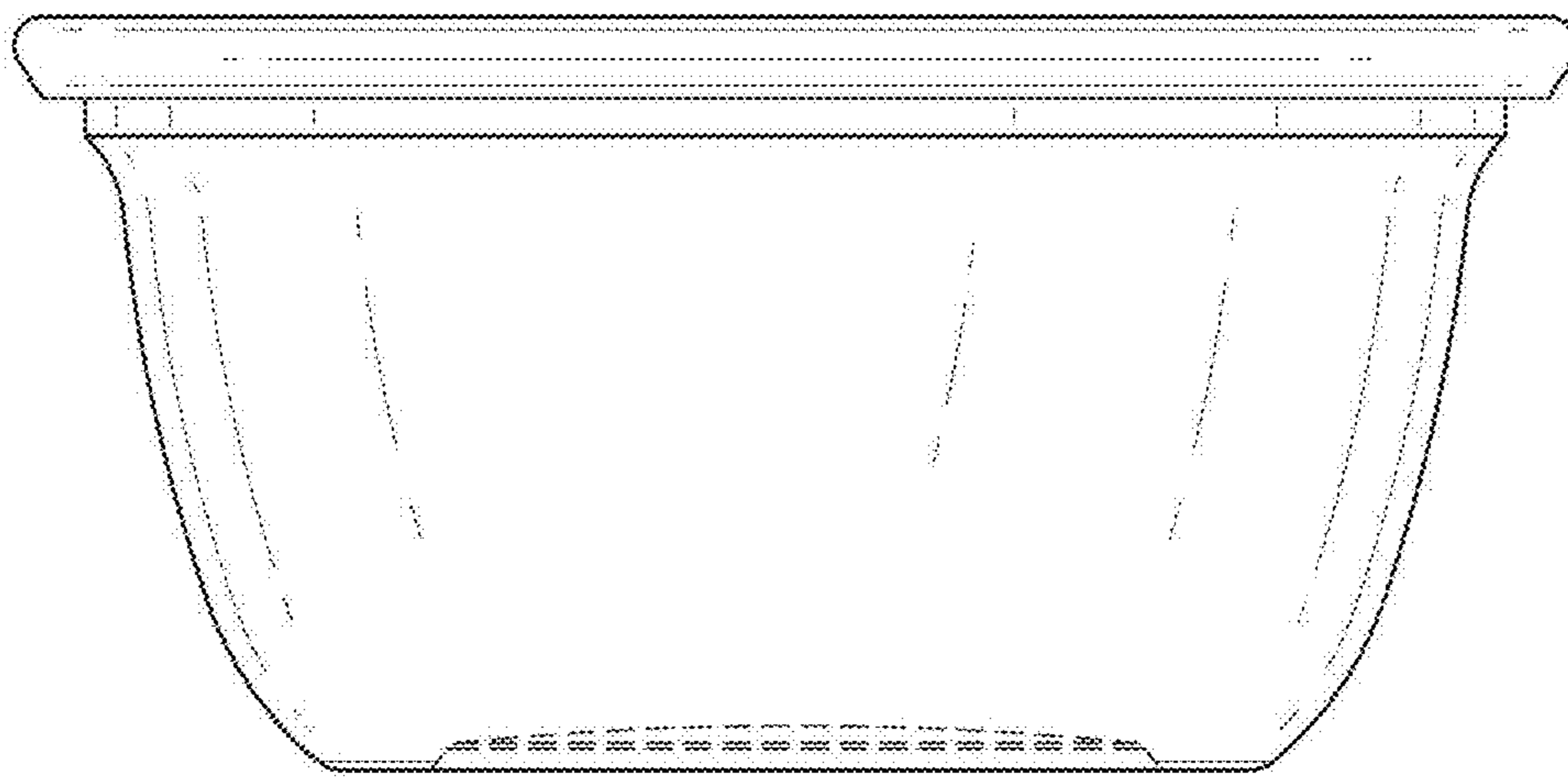


FIG. 2

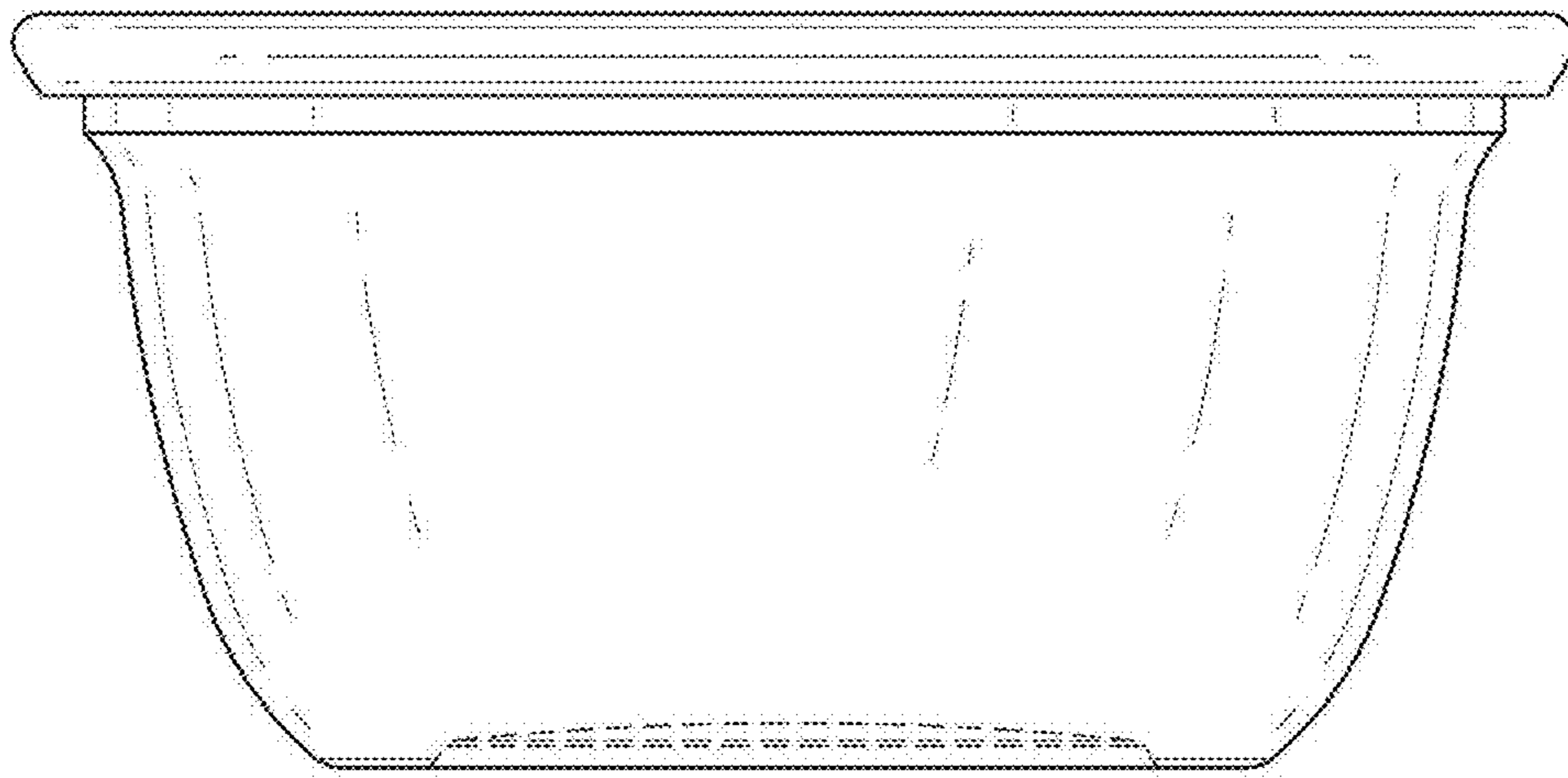


FIG. 3

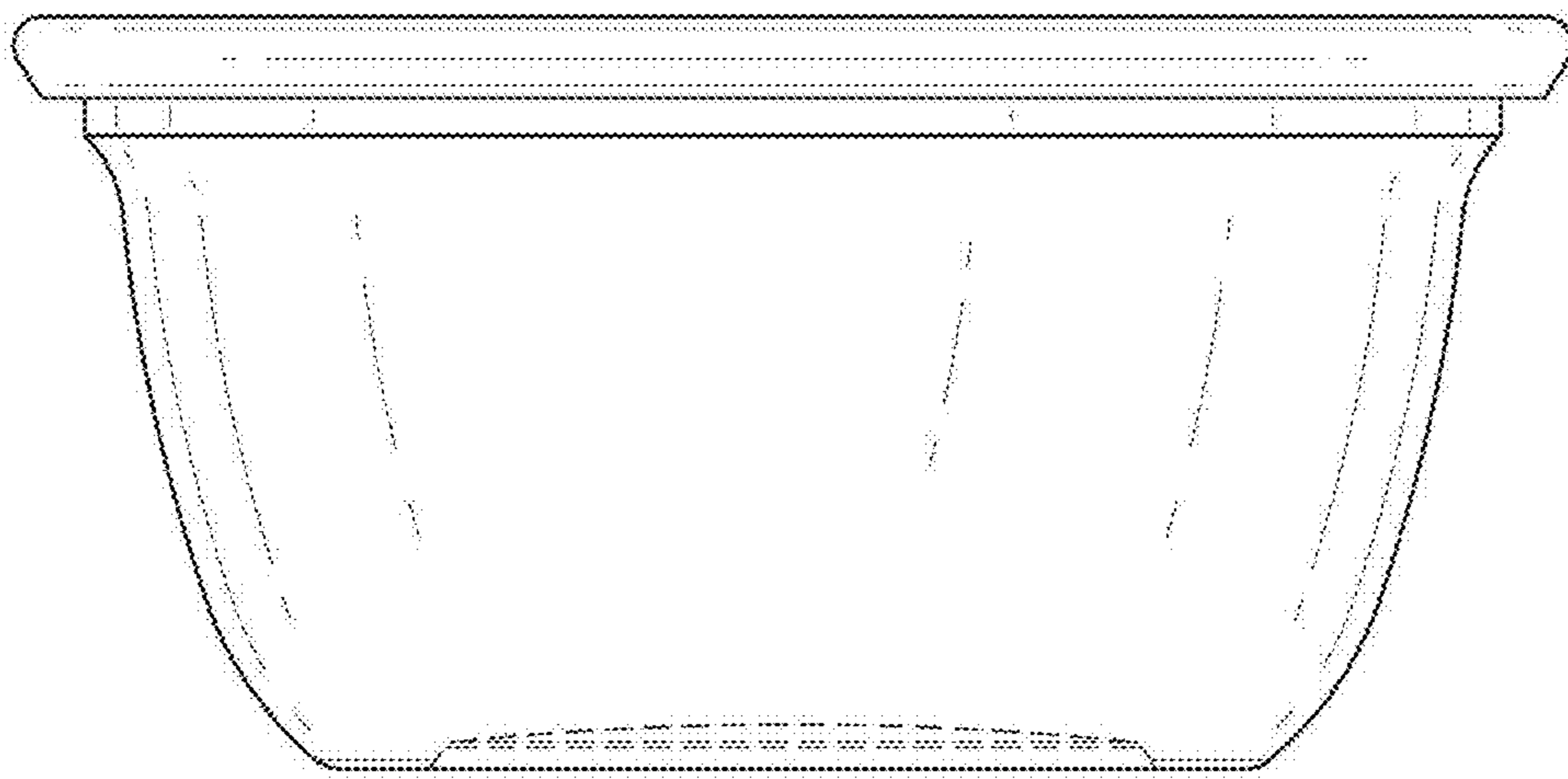


FIG. 4

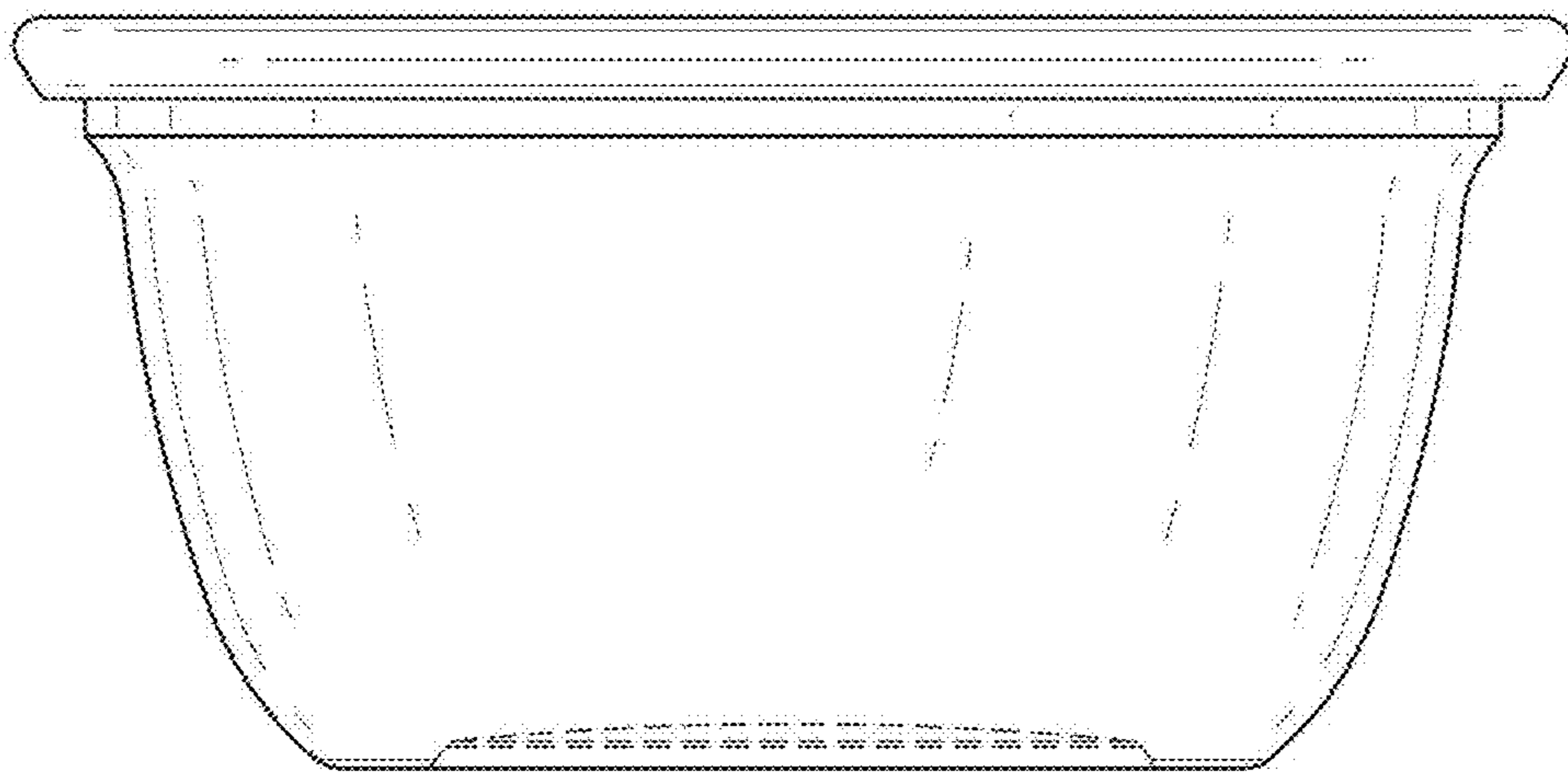


FIG. 5

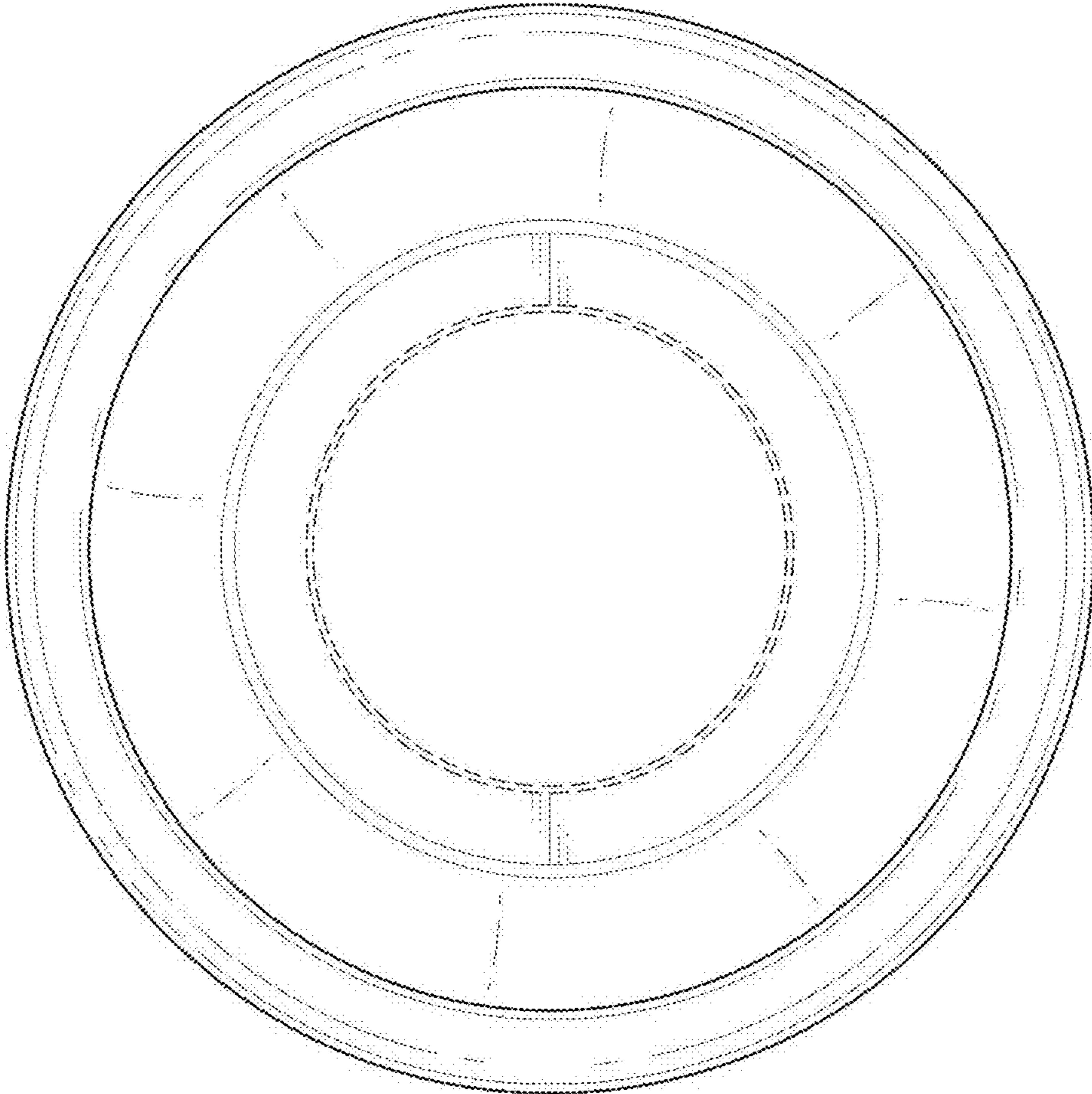


FIG. 6



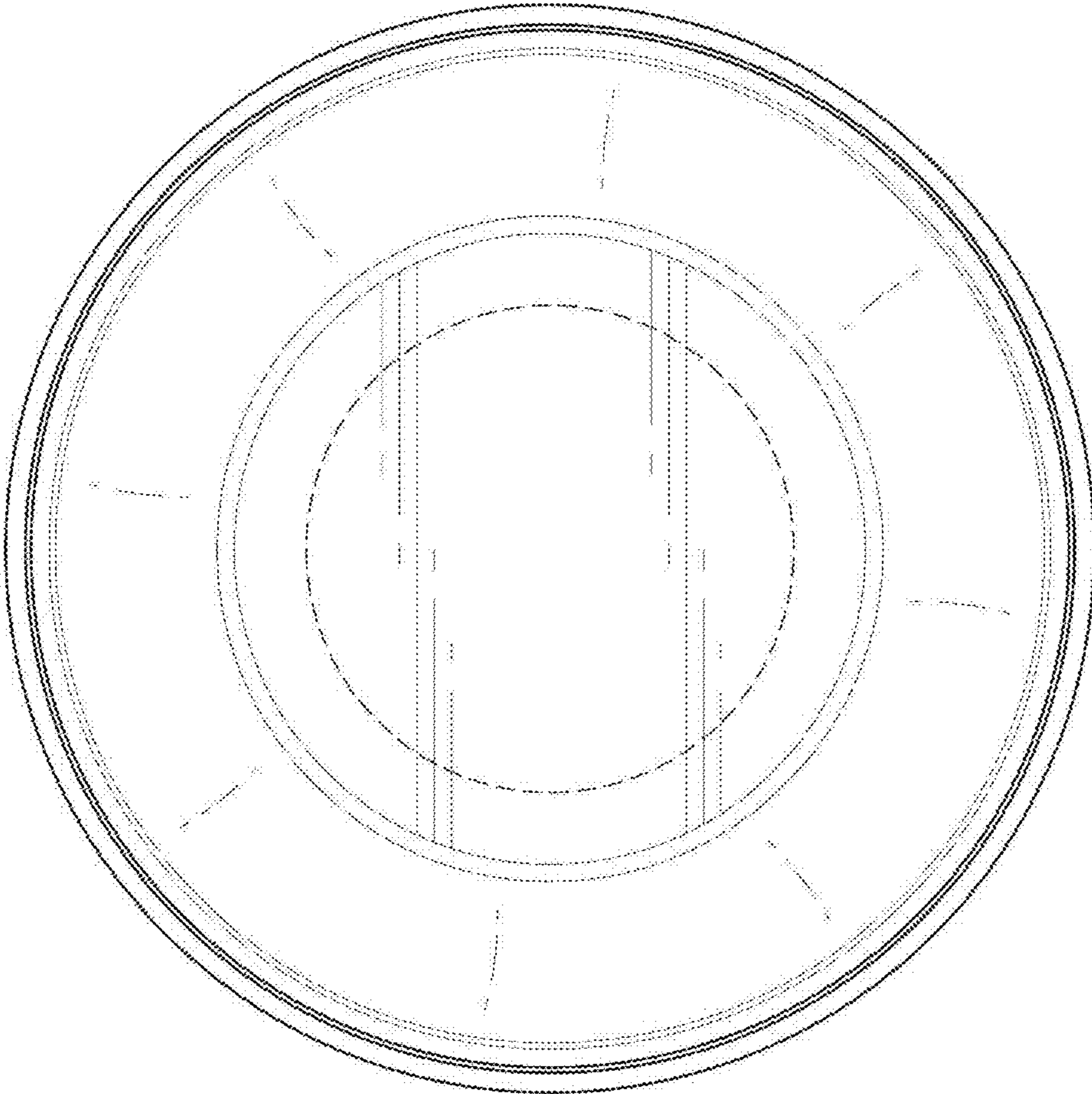


FIG. 7