



US00D977306S

(12) **United States Design Patent** (10) **Patent No.:** **US D977,306 S**  
**Hariouk** (45) **Date of Patent:** **\*\* Feb. 7, 2023**

(54) **SERVING CONTAINER WITH COVER**

- (71) Applicant: **Nacer Eddine Hariouk**, Weston, FL (US)
- (72) Inventor: **Nacer Eddine Hariouk**, Weston, FL (US)
- (\*\*) Term: **15 Years**
- (21) Appl. No.: **29/836,218**
- (22) Filed: **Apr. 25, 2022**
- (51) **LOC (14) Cl.** ..... **07-01**
- (52) **U.S. Cl.**  
USPC ..... **D7/540**
- (58) **Field of Classification Search**  
USPC ..... D7/354, 500, 538, 540–543, 545, 548, D7/550.1, 554.1–554.4, 560–562, 565, D7/584–588, 602, 605, 608, 629  
CPC ..... A47G 19/00; A47G 19/02; A47G 19/025; A47G 19/027; A47G 19/03; A47G 19/12; A47G 19/30; A47G 23/04; A47G 23/06  
See application file for complete search history.

(56) **References Cited**

U.S. PATENT DOCUMENTS

D230,811 S *	3/1974	Cheyne	.....	D7/354
D272,504 S *	2/1984	Angelakos	.....	D7/540
D332,721 S *	1/1993	Jauhal	.....	D9/503
D380,124 S *	6/1997	Kato	.....	D7/629
D477,969 S *	8/2003	Griffin	.....	D7/354
D513,375 S *	1/2006	Rocha	.....	D7/558
D539,598 S *	4/2007	Groll	.....	D7/354
D544,307 S *	6/2007	Ablo	.....	D7/542
D548,516 S *	8/2007	Tanguy	.....	D7/354
D616,697 S *	6/2010	Muller	.....	D7/354
D659,463 S *	5/2012	Henry	.....	D7/354
D701,722 S *	4/2014	Merzouky	.....	D7/354
D766,654 S *	9/2016	Forti	.....	D7/397
D785,400 S *	5/2017	Lee	.....	D7/354
D798,649 S *	10/2017	Keating	.....	A47G 19/02
				D7/354
2016/0316944 A1 *	11/2016	Noh	.....	A47G 19/02

OTHER PUBLICATIONS

Design No. 306282403, Jun. 10, 2020—China National Intellectual Property Administration (CNIPA) Publication Date—Jan. 15, 2021 Owner—Xia Zheng WIPO, available at <https://www3.wipo.int/designdb/en/index.jsp> (Year: 2021).\*

Design No. 306388461, Oct. 20, 2020—China National Intellectual Property Administration (CNIPA) Publication Date—Mar. 19, 2021 Owner—Fujian Quanzhou Xinchao home furnishing Co Ltd, Designer—Lin Kunlun WIPO, available at <https://www3.wipo.int/designdb/en/index.jsp> (Year: 2021).\*

Kamsah Moroccan Ceramic Round Tagine, Wayfair, [online], [site visited Sep. 6, 2022], Available from internet URL: <https://www.wayfair.com/kitchen-tabletop/pdp/kamsah-moroccan-ceramic-round-tagine-lbcl1000.html> (Year: 2022).\*

\* cited by examiner

*Primary Examiner* — Mary Ann Calabrese  
*Assistant Examiner* — Natalya M Rapundalo  
 (74) *Attorney, Agent, or Firm* — Mark C. Johnson; Johnson Dalal

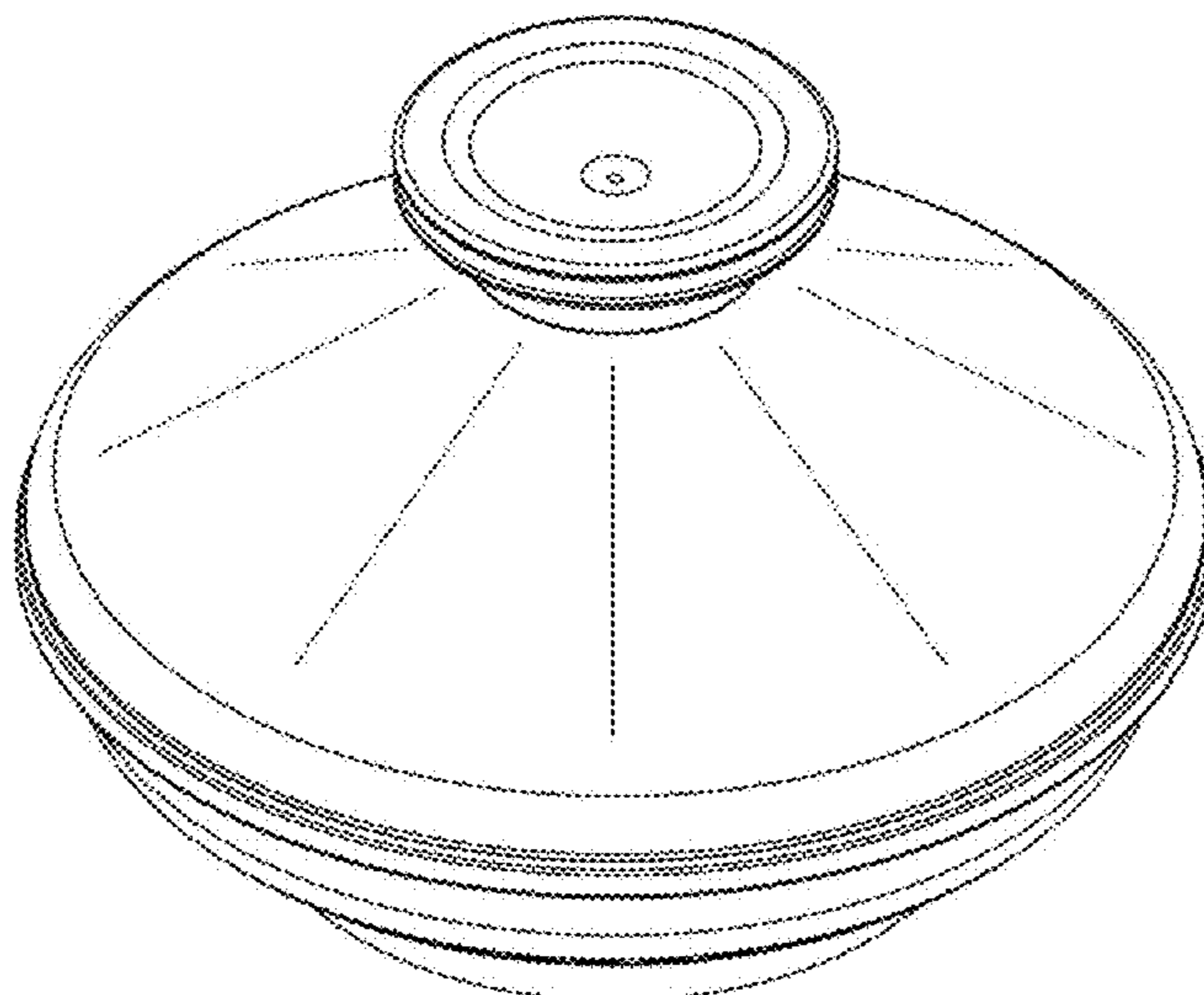
(57) **CLAIM**

The ornamental design for a serving container with cover, as shown and described.

**DESCRIPTION**

FIG. 1 is a top perspective view of a serving container with cover of the present invention;  
 FIG. 2 is a bottom perspective view of the serving container with cover in FIG. 1;  
 FIG. 3 is an elevational side view, which is identical to the front and rear views, of the serving container with cover in FIG. 1;  
 FIG. 4 is a top plan view of the serving container with cover in FIG. 1; and,  
 FIG. 5 is a bottom plan view of the serving container with cover in FIG. 1.

**1 Claim, 4 Drawing Sheets**



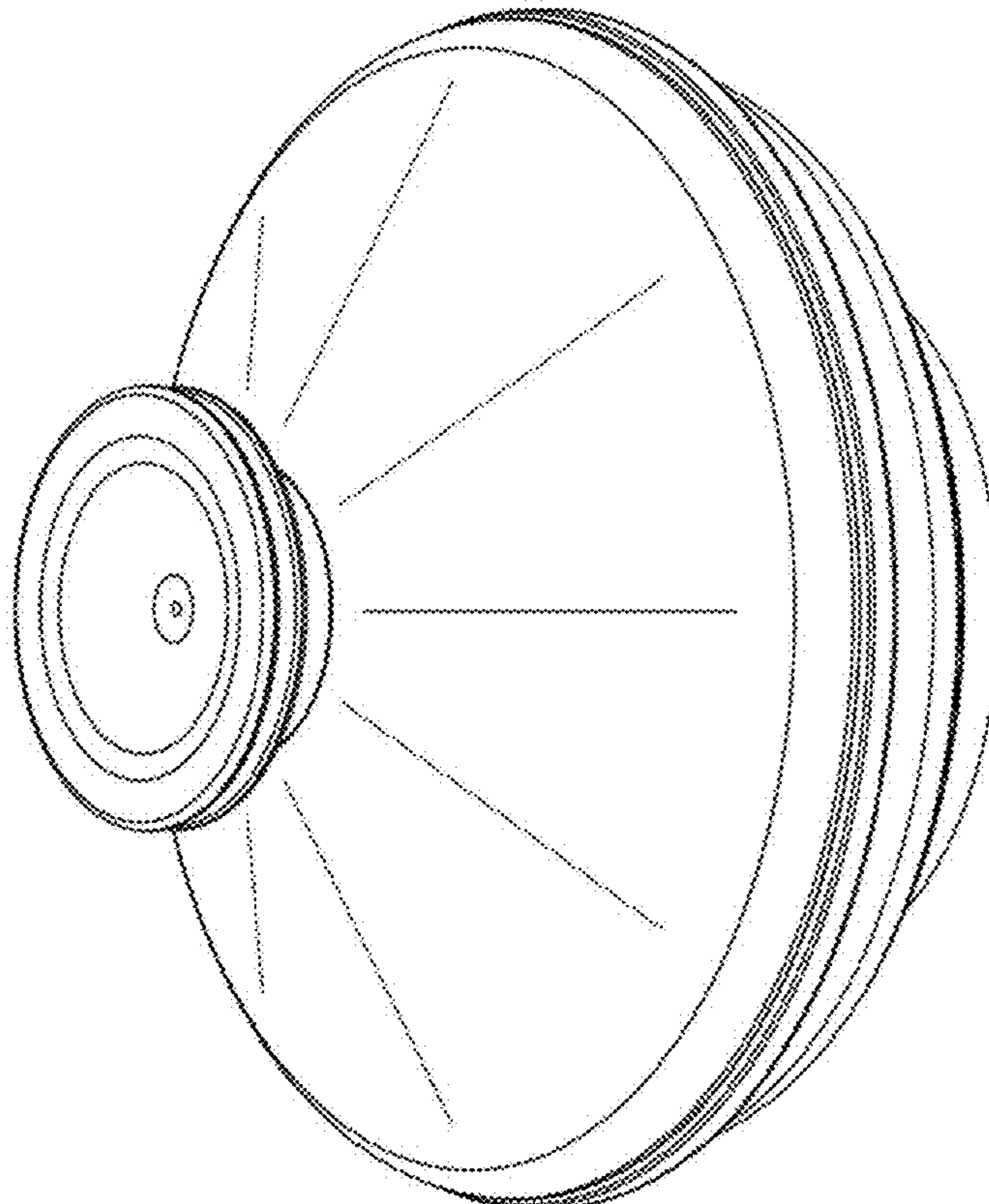


FIG. 1

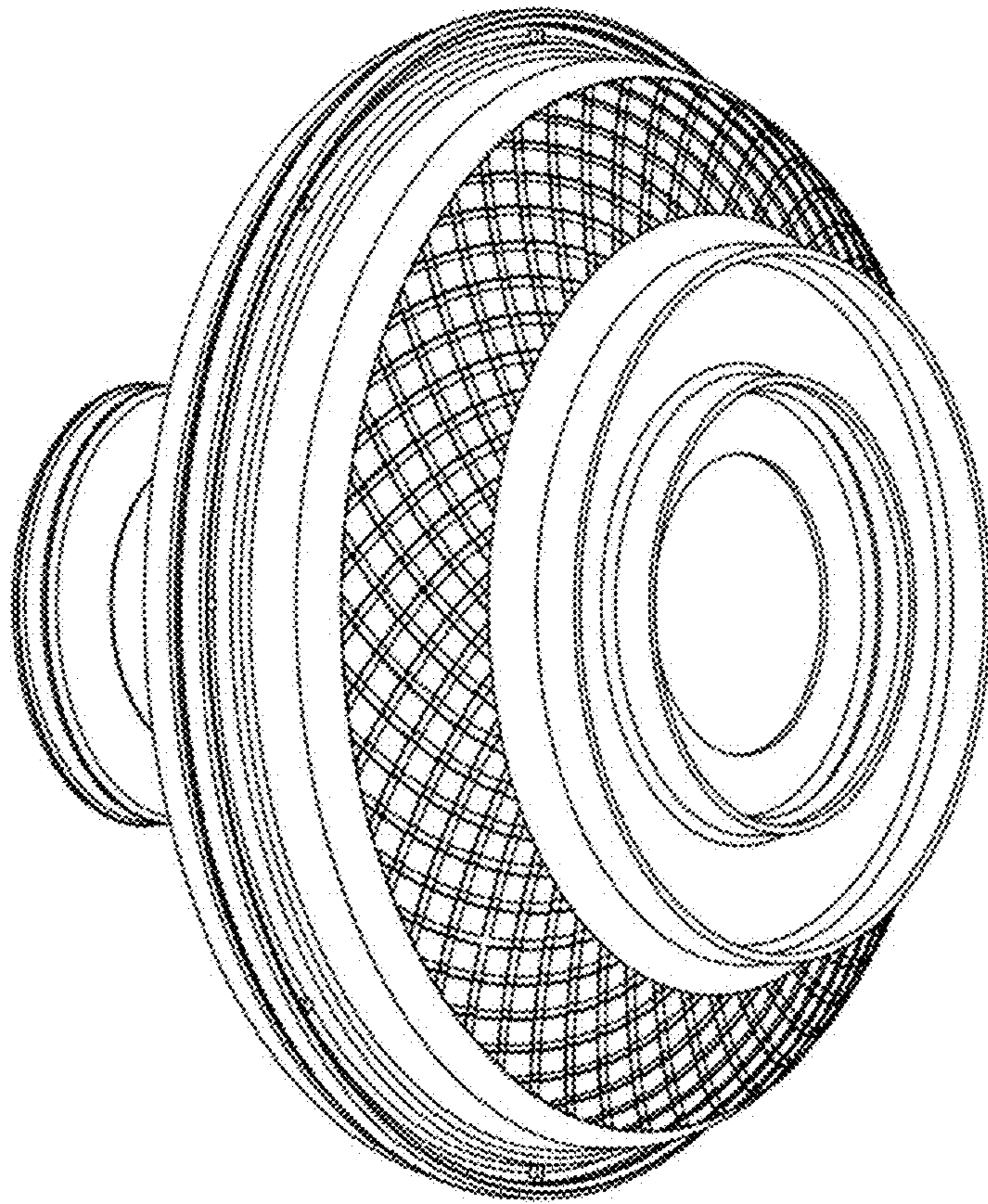


FIG. 2

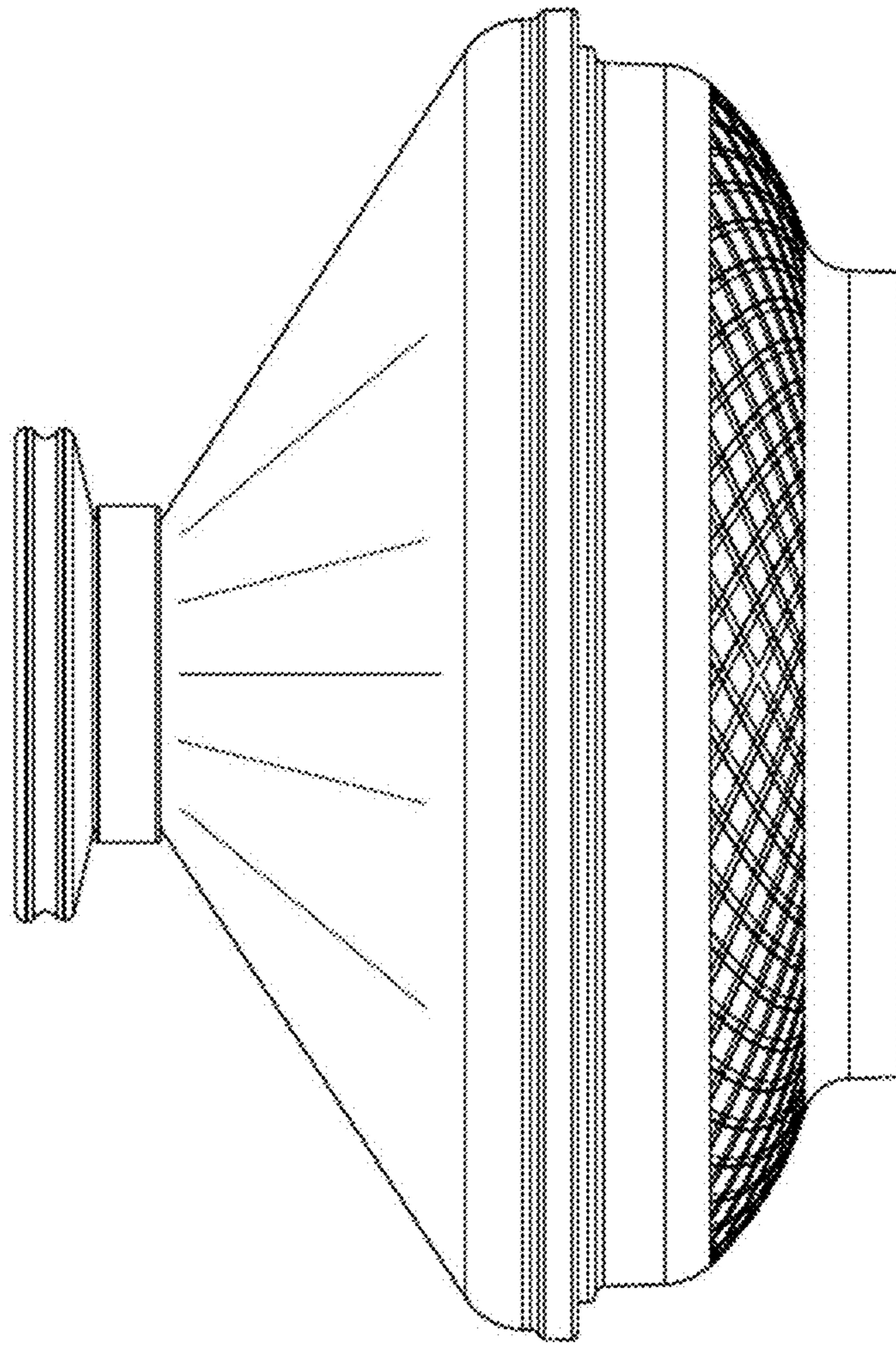


FIG. 3

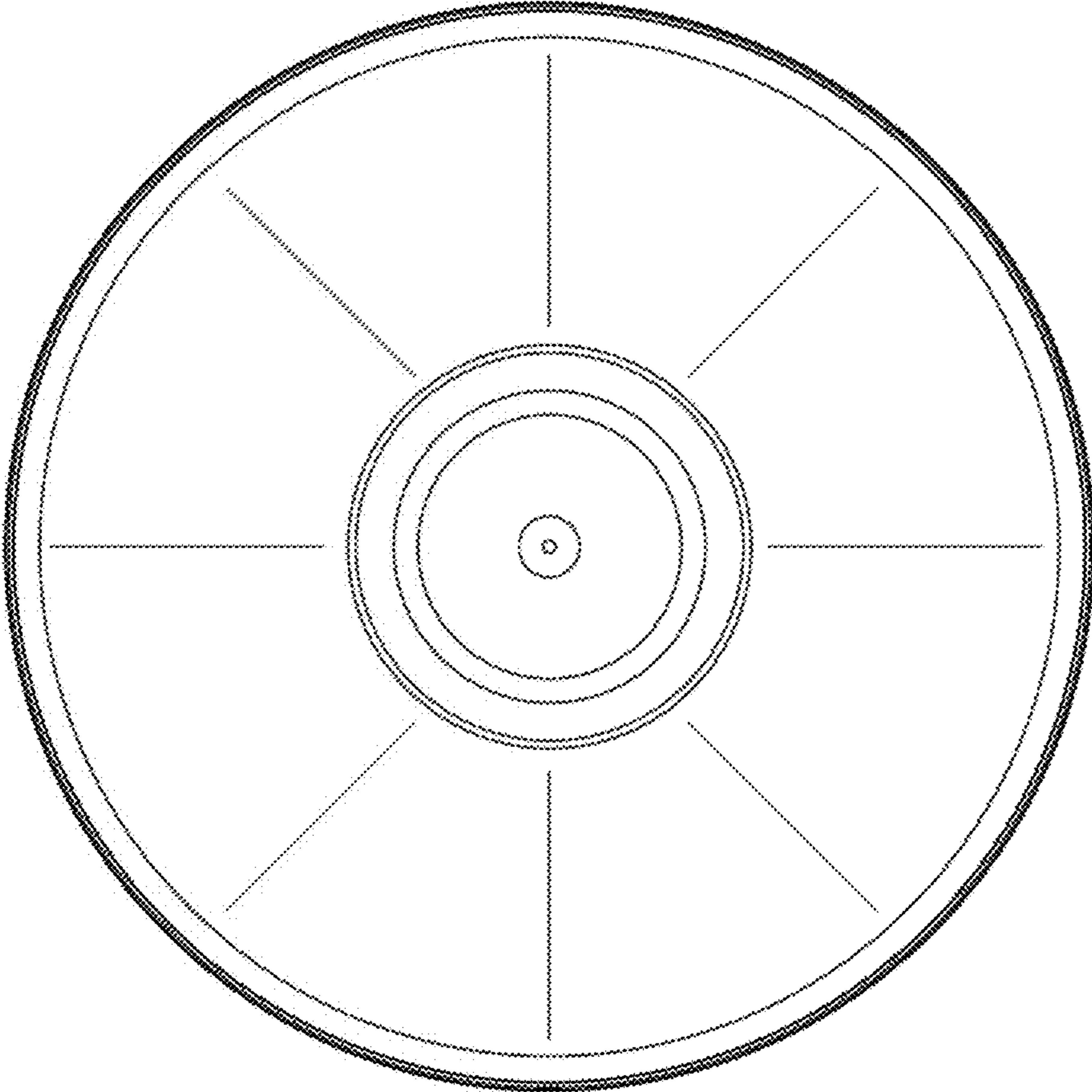


FIG. 4

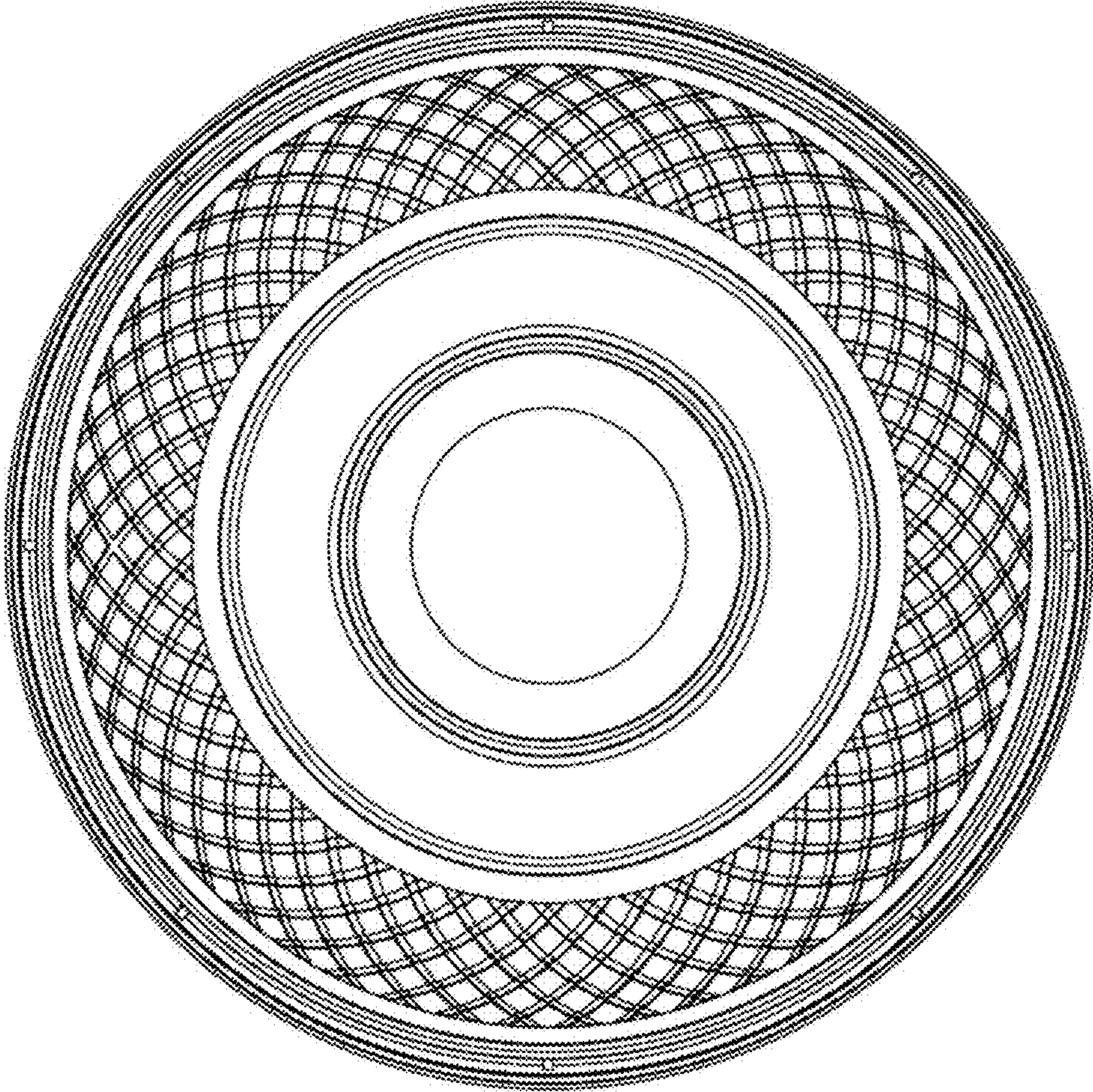


FIG. 5