



US00D977305S

(12) **United States Design Patent**
Wong

(10) **Patent No.:** **US D977,305 S**

(45) **Date of Patent:** **** Feb. 7, 2023**

(54) **WAFFLE MAKER**

(71) Applicant: **CONAIR LLC**, Stamford, CT (US)

(72) Inventor: **Chi Ho Kurt Wong**, Hong Kong (CN)

(73) Assignee: **Conair LLC**, Stamford, CT (US)

(**) Term: **15 Years**

(21) Appl. No.: **29/796,237**

(22) Filed: **Jun. 23, 2021**

(51) **LOC (14) Cl.** **07-02**

(52) **U.S. Cl.**

USPC **D7/410**; D7/352; D7/362; D7/363

(58) **Field of Classification Search**

USPC D7/323, 328–330, 337, 347, 352–364,
D7/367, 402, 409–411

CPC . A21B 5/023; A47J 27/60; A47J 27/62; A47J
37/04; A47J 37/06; A47J 37/067; A47J
37/0605; A47J 37/0611; A47J 37/0623;
A47J 37/0629; A47J 37/0676; A47J
2037/06; A47J 2037/0611; F24C 15/10;
F24C 15/102; H05B 6/02; H05B 6/062

See application file for complete search history.

(56) **References Cited**

U.S. PATENT DOCUMENTS

2,116,688 A *	5/1938	Ratliff	A47J 37/0611 99/377
D247,763 S	4/1978	Carbon	
D308,152 S	5/1990	Tzouffas	
4,967,650 A	11/1990	Weigle	
5,299,492 A	4/1994	Carbon et al.	
D411,937 S	7/1999	Siegler et al.	
5,937,742 A	8/1999	Steeb et al.	
D465,965 S	11/2002	Dalton et al.	
D488,667 S	4/2004	Seum et al.	
D522,803 S	6/2006	Lam	
D523,284 S	6/2006	Lam	
D587,061 S	2/2009	Lavy	

(Continued)

OTHER PUBLICATIONS

Cuisinart Maker Waffle-Iron. Date First Available on Amazon.com Jul. 21, 2016. <https://www.amazon.com/dp/B01IU7JPT6/ref> (Year: 2016).*

Primary Examiner — Ricky Pham

(74) *Attorney, Agent, or Firm* — Grogan, Tuccillo & Vanderleeden LLP

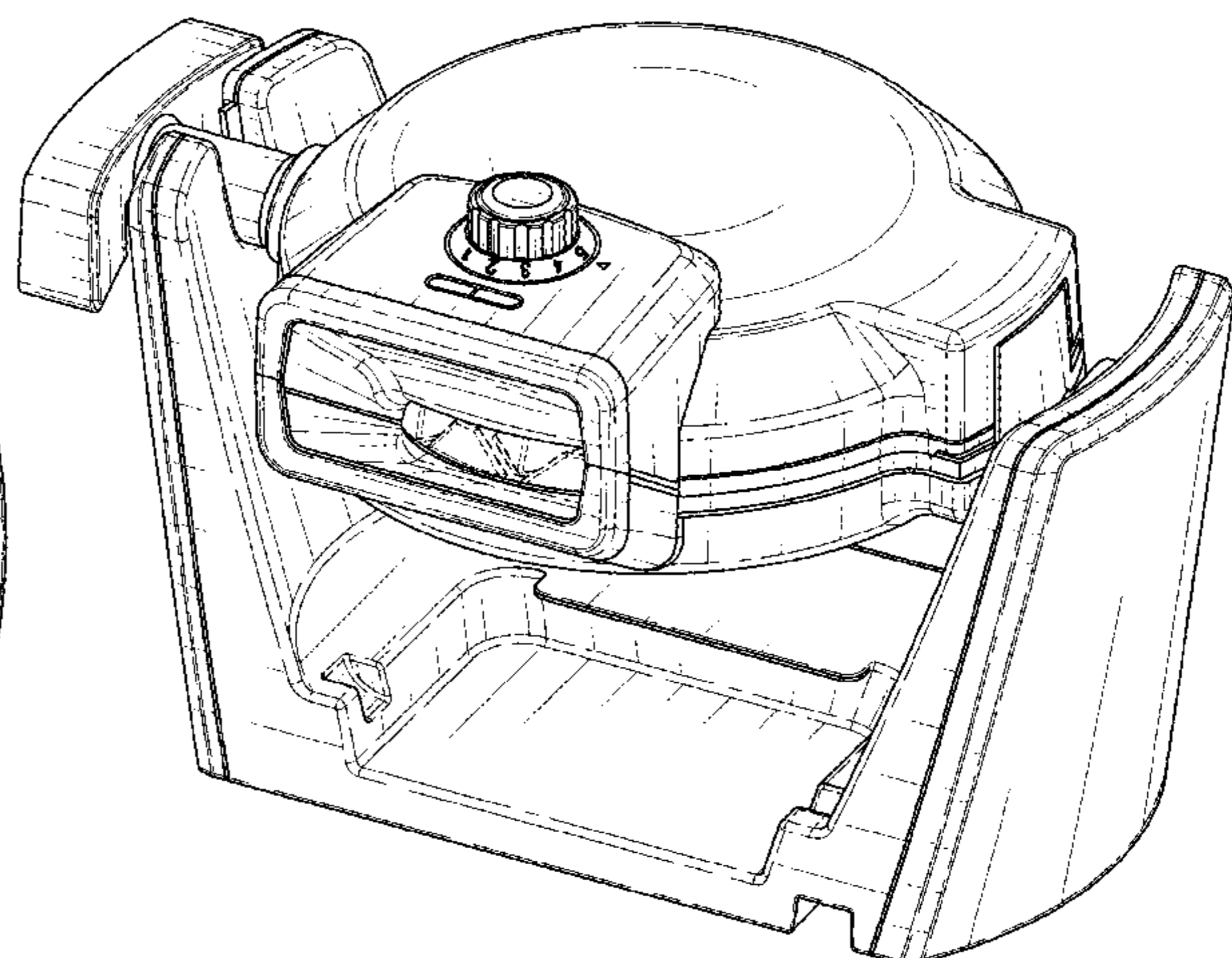
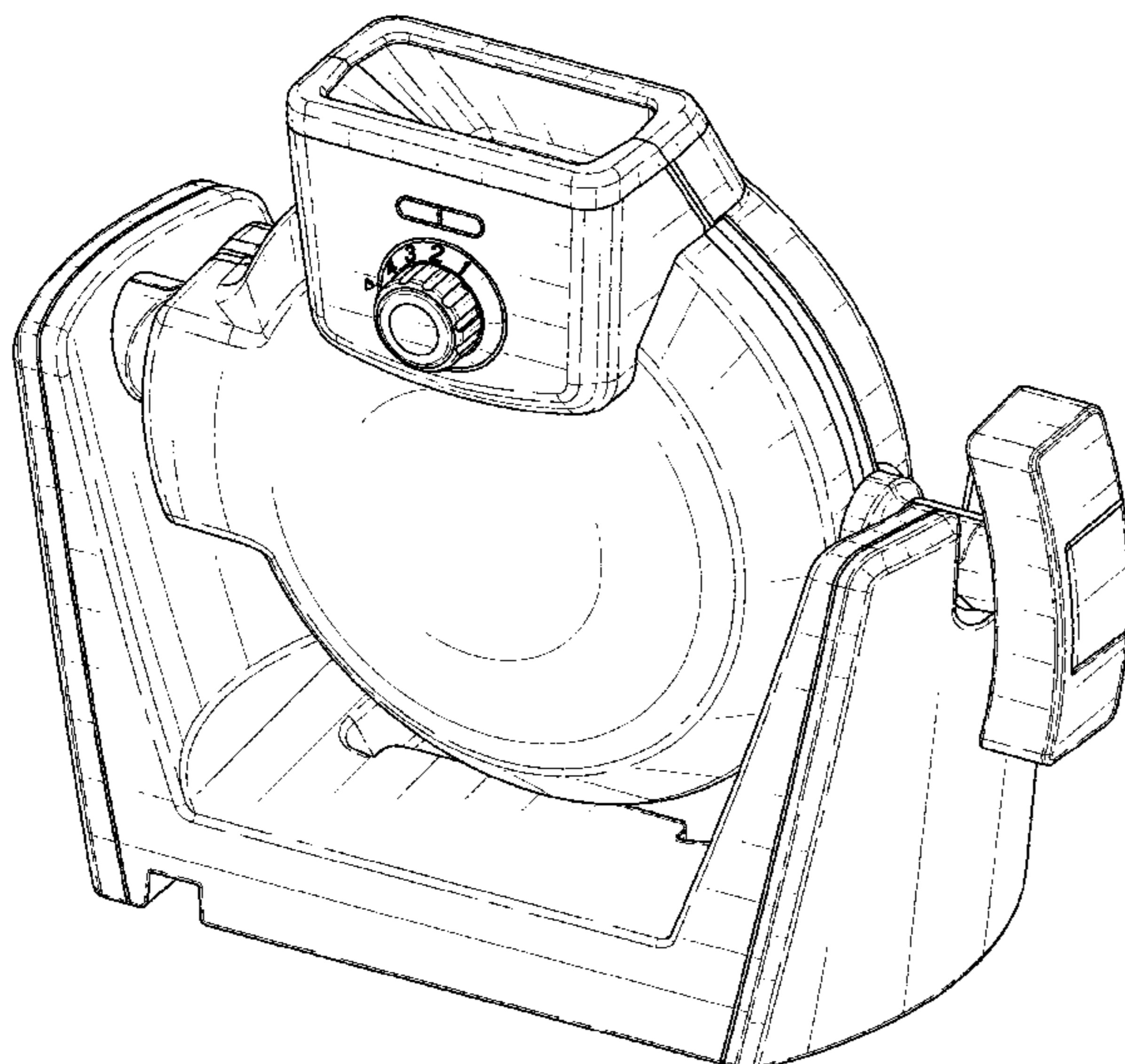
(57) **CLAIM**

The ornamental design for a waffle maker, as shown and described.

DESCRIPTION

FIG. 1 is a perspective view of a waffle maker showing a new design;
 FIG. 2 is a front elevational view thereof;
 FIG. 3 is a rear elevational view thereof;
 FIG. 4 is a left side elevational view thereof;
 FIG. 5 is right side elevational view thereof;
 FIG. 6 is a top plan view thereof;
 FIG. 7 is a bottom plan view thereof;
 FIG. 8 is another perspective view thereof, in a horizontal orientation;
 FIG. 9 is a front view thereof, in a horizontal orientation;
 FIG. 10 is a rear elevational view thereof, in a horizontal orientation;
 FIG. 11 is a left side elevational view thereof, in a horizontal orientation;
 FIG. 12 is a right side elevational view thereof, in a horizontal orientation;
 FIG. 13 is top plan view thereof, in a horizontal orientation;
 and,
 FIG. 14 is a bottom plan view thereof, in a horizontal orientation.
 The broken lines are for illustrative purposes only and form no part of the claimed design.

1 Claim, 9 Drawing Sheets



(56)

References Cited

U.S. PATENT DOCUMENTS

D600,065 S 9/2009 Tienor et al.
D662,760 S * 7/2012 Kennedy D7/354
D677,513 S 3/2013 Blacken
8,616,120 B2 * 12/2013 Chen A47J 37/0611
99/379
D706,569 S 6/2014 Fung
8,783,168 B2 * 7/2014 Zhan A47J 37/0611
99/374
D784,750 S 4/2017 Chang
10,092,134 B2 10/2018 Zhan et al.
D941,077 S * 1/2022 Berge D7/352
2008/0105137 A1 * 5/2008 Genslak A47J 37/0611
99/376
2008/0257169 A1 10/2008 Tienor et al.
2009/0049993 A1 2/2009 Morgan
2010/0024662 A1 2/2010 Bengtson et al.
2018/0206674 A1 * 7/2018 Chen A47J 37/0611

* cited by examiner

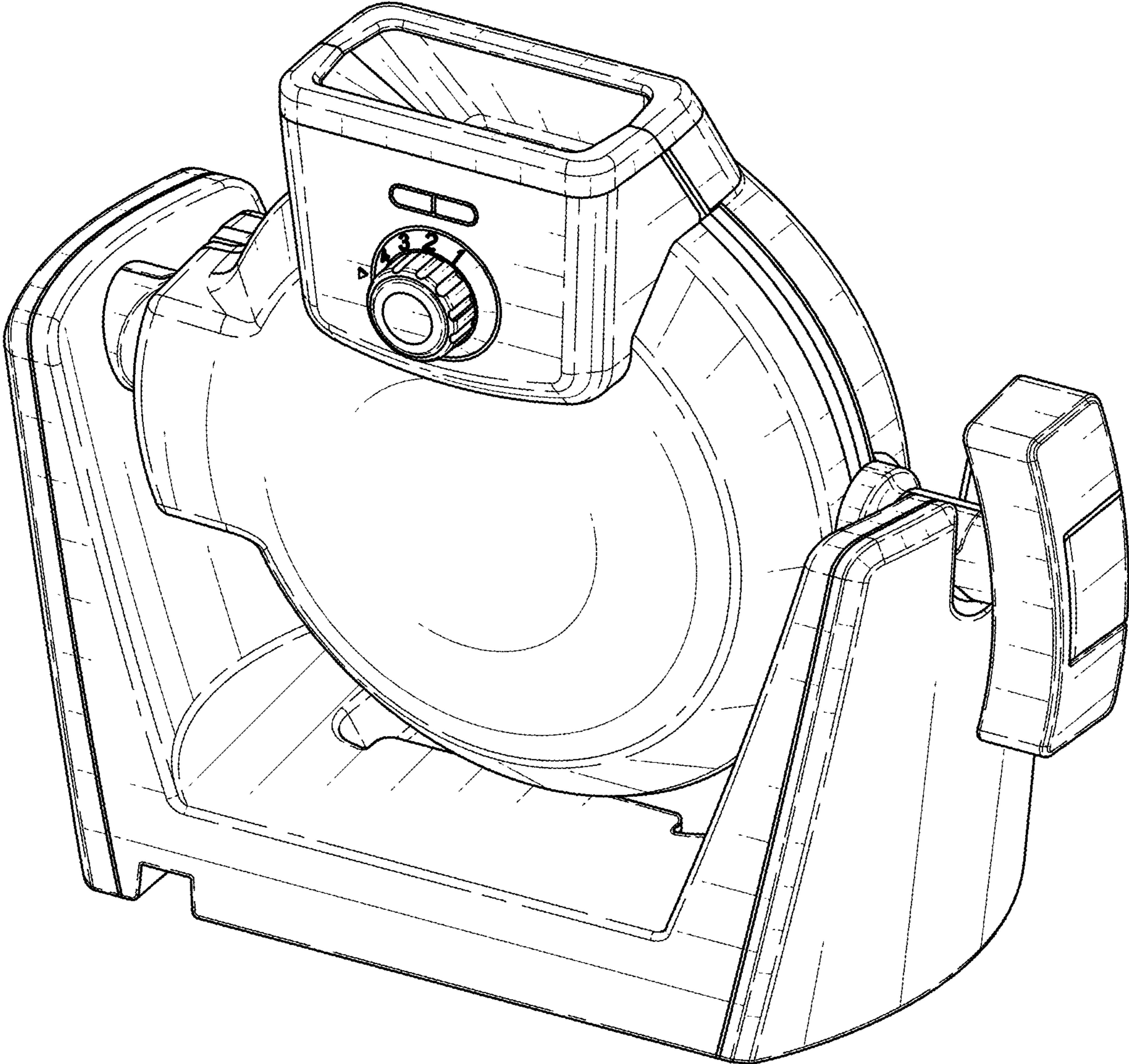


FIG. 1

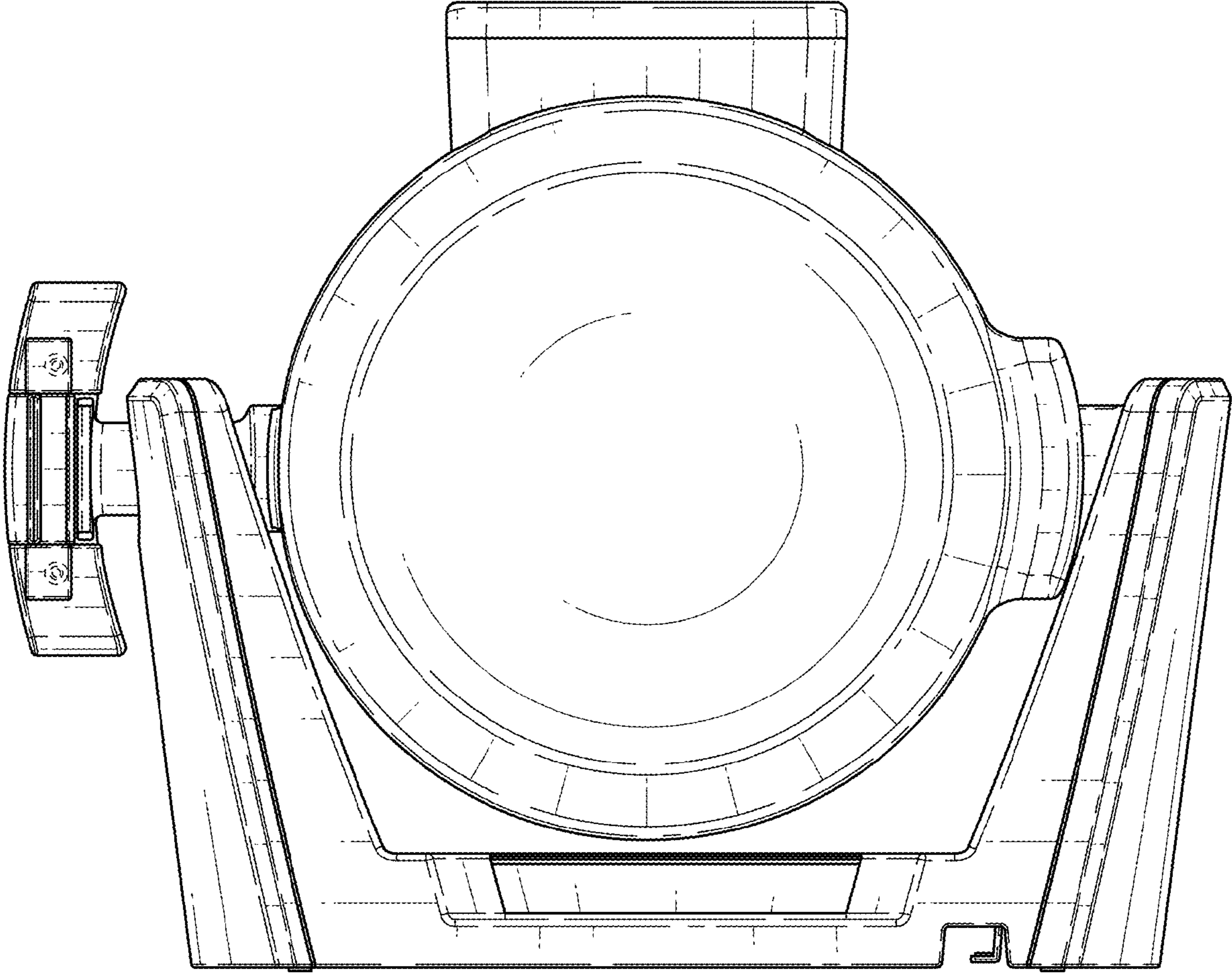


FIG. 2

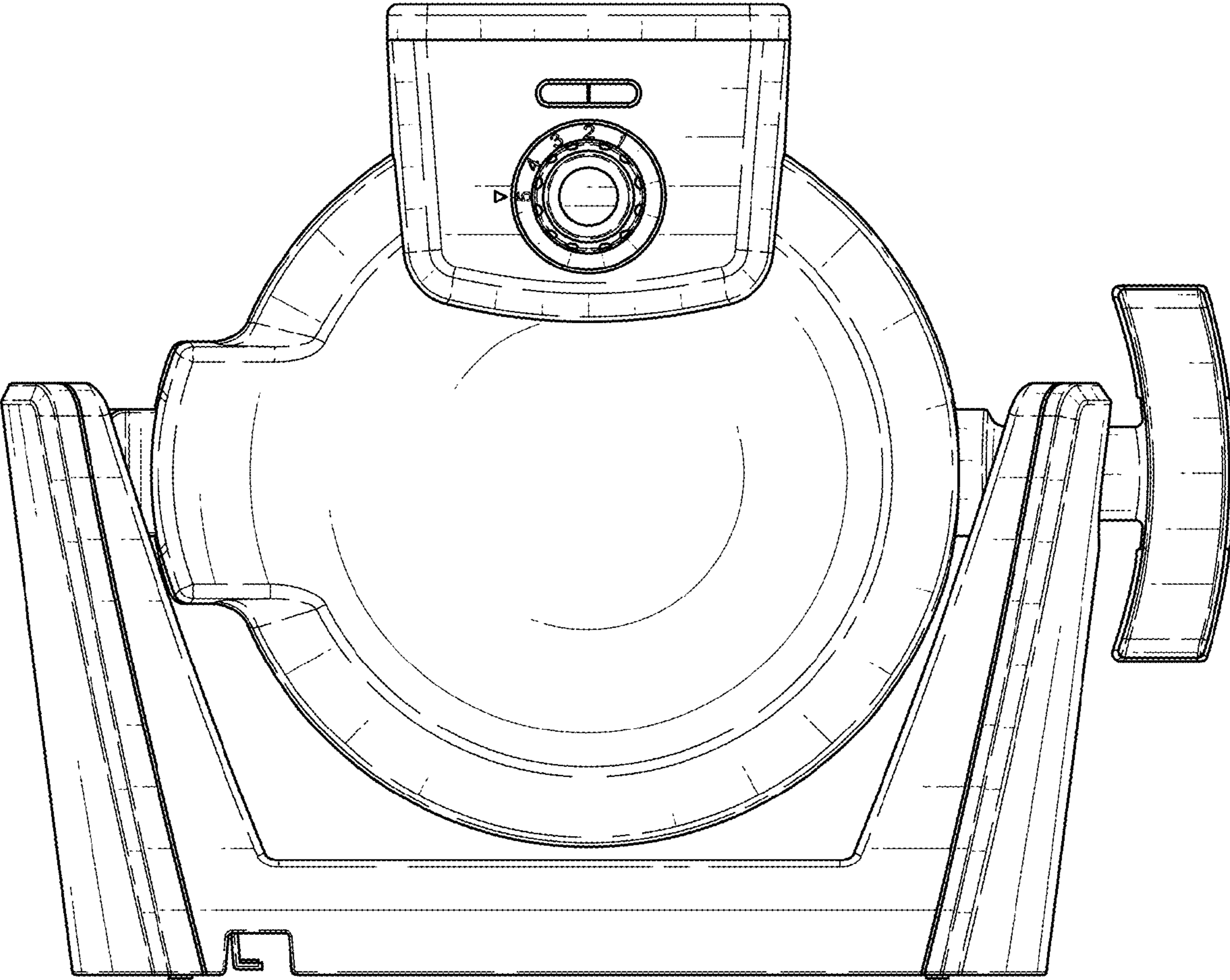


FIG. 3

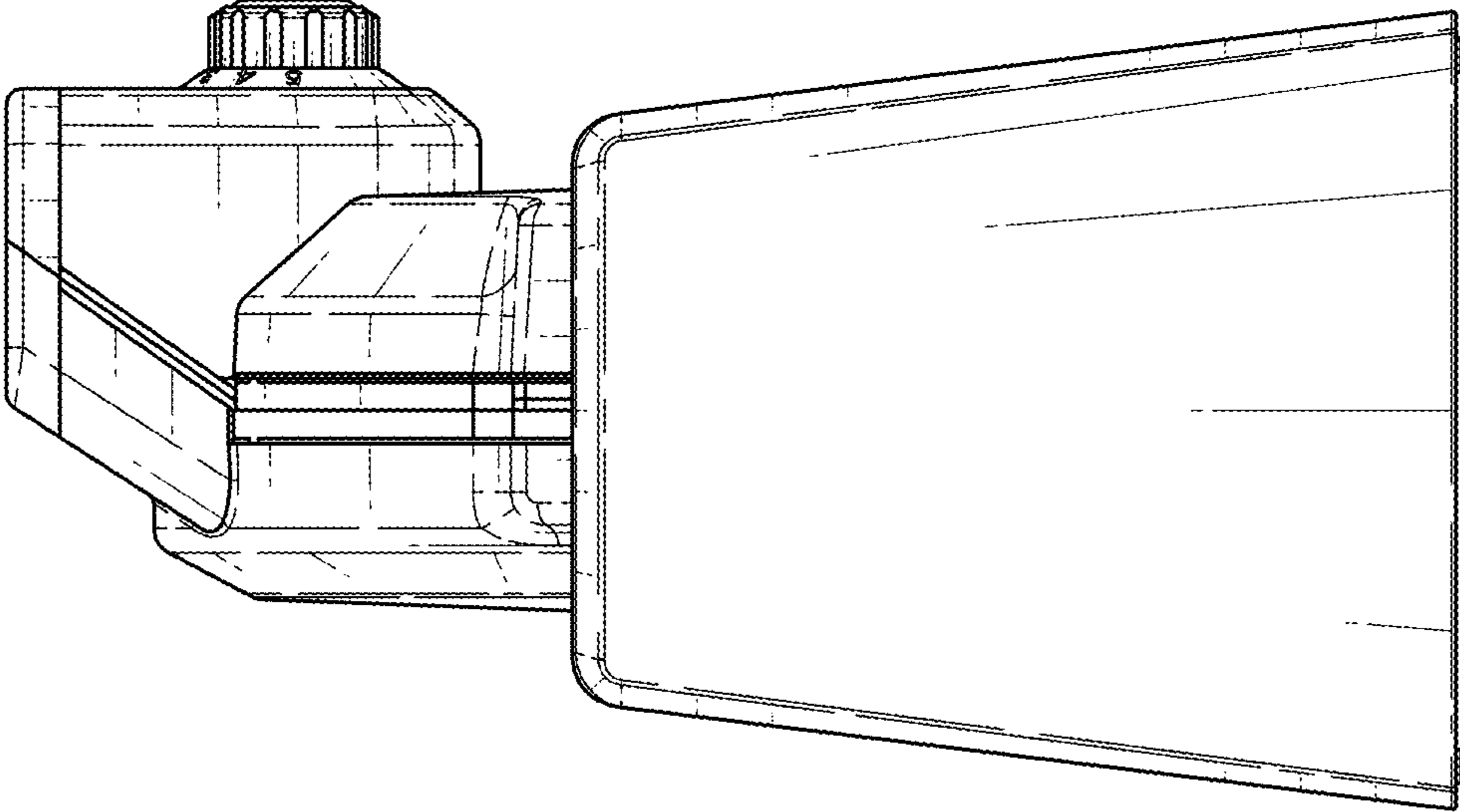


FIG. 5

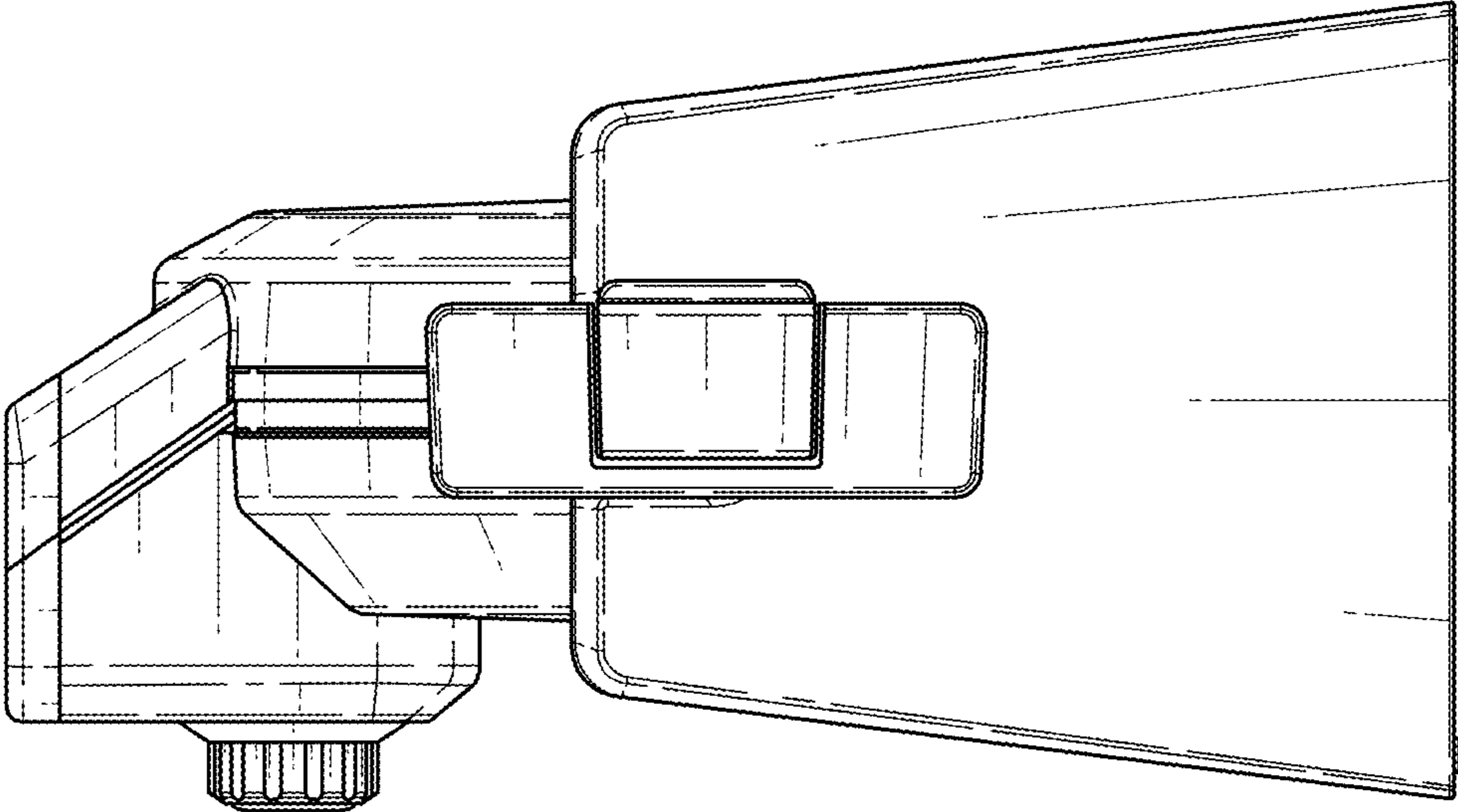


FIG. 4

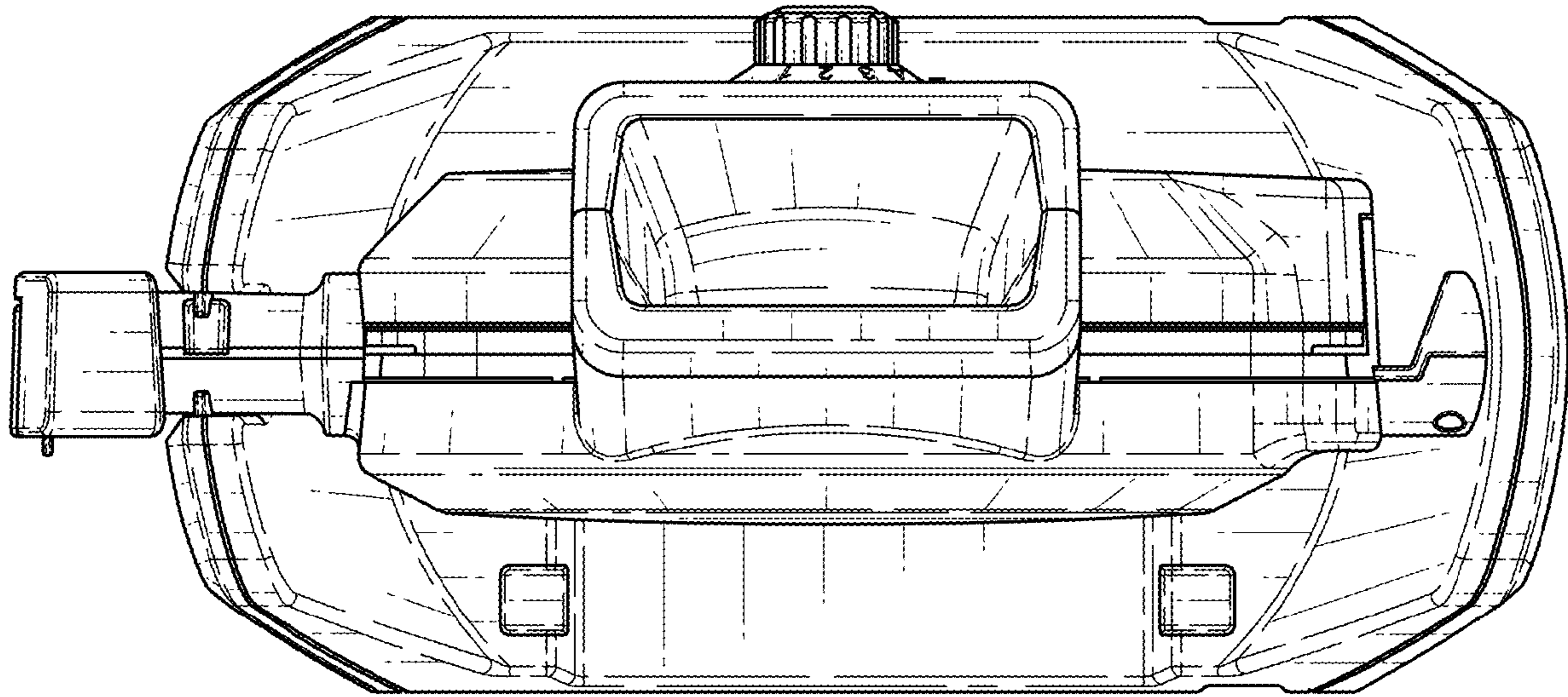


FIG. 6

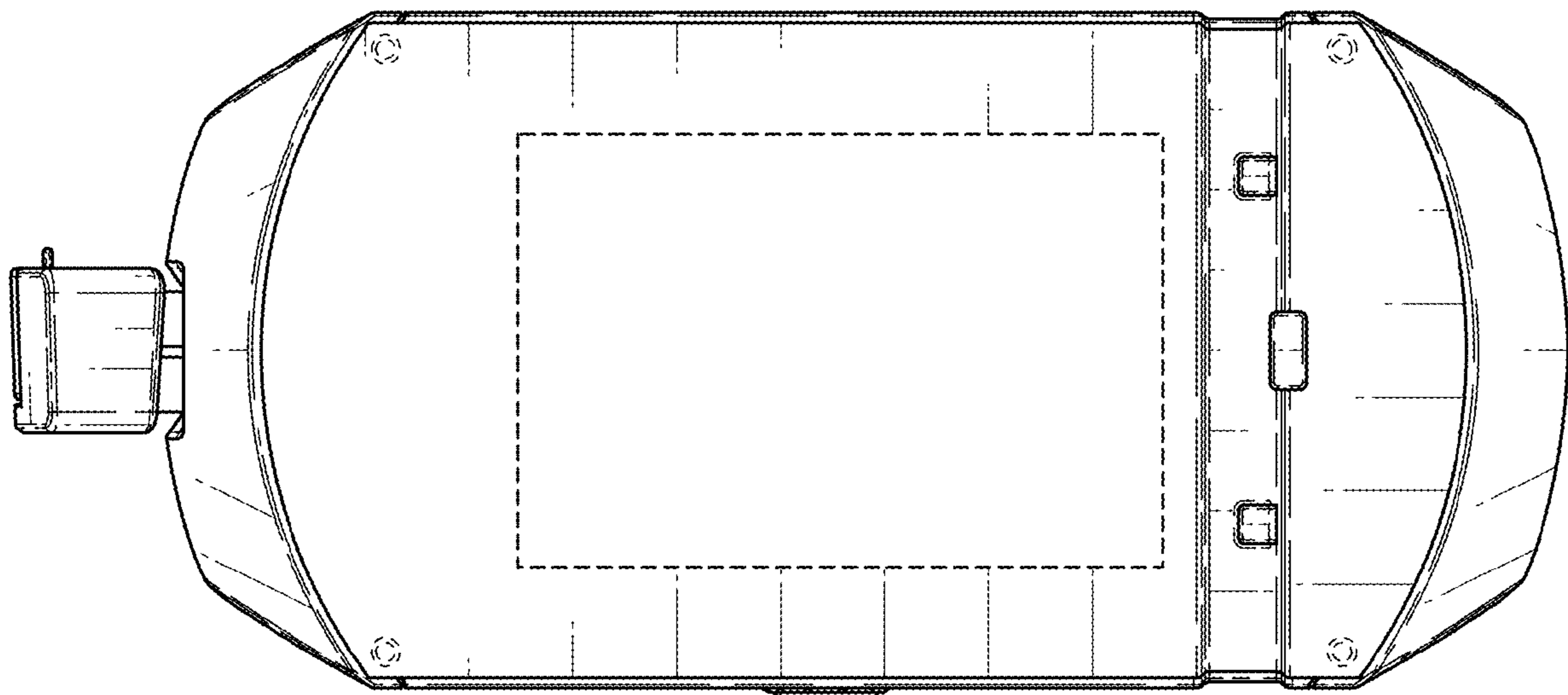


FIG. 7

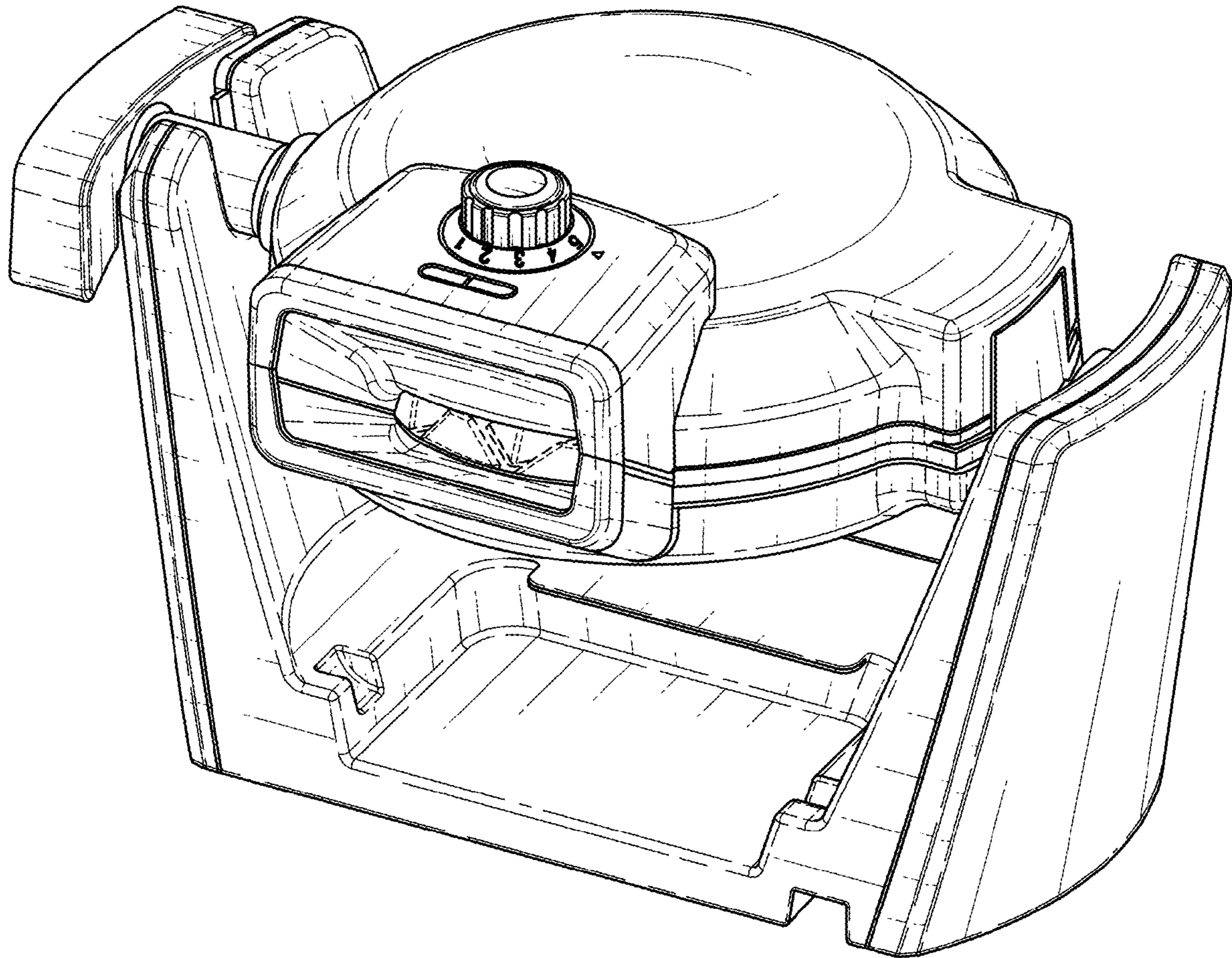


FIG. 8

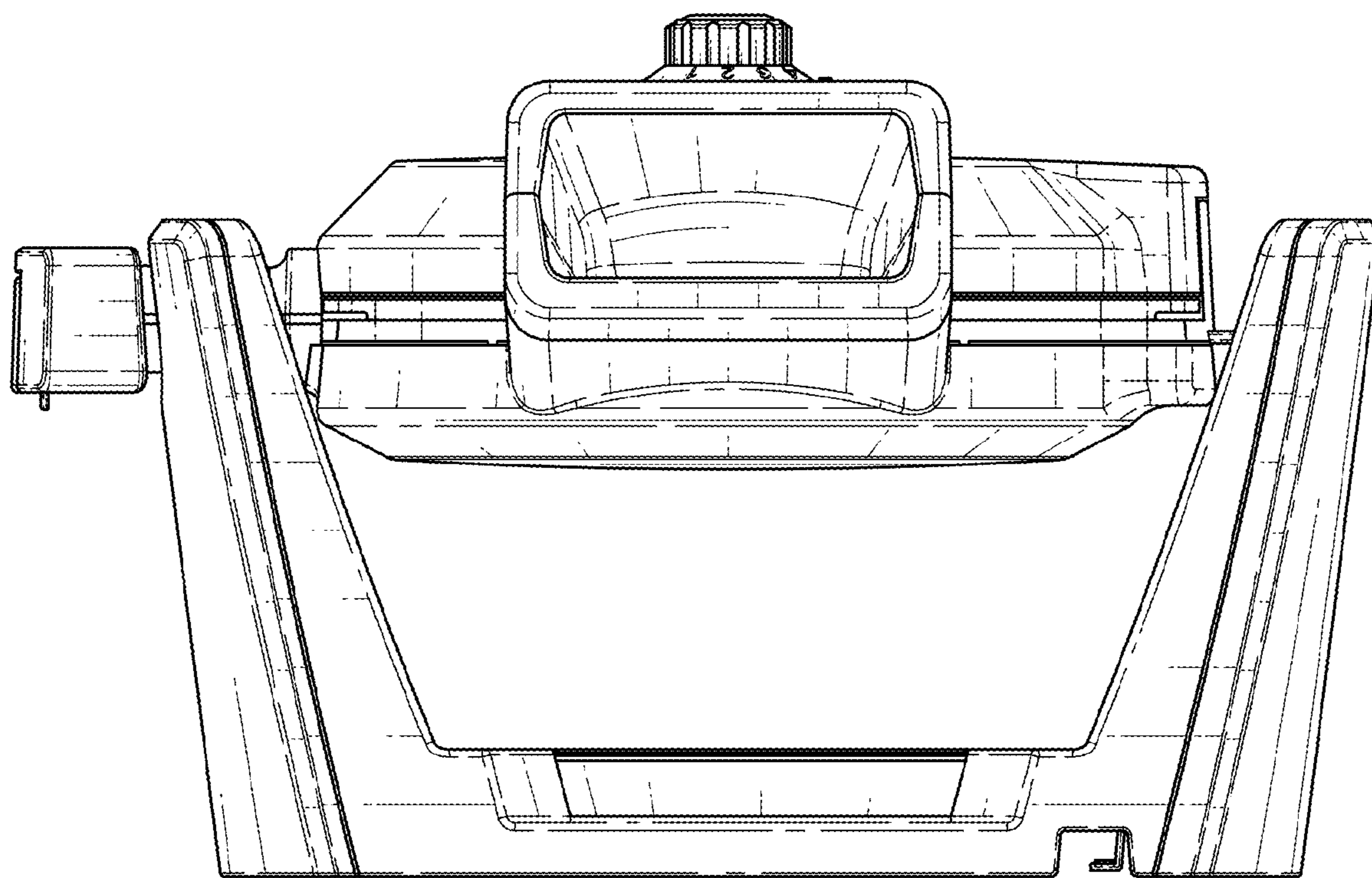


FIG. 9

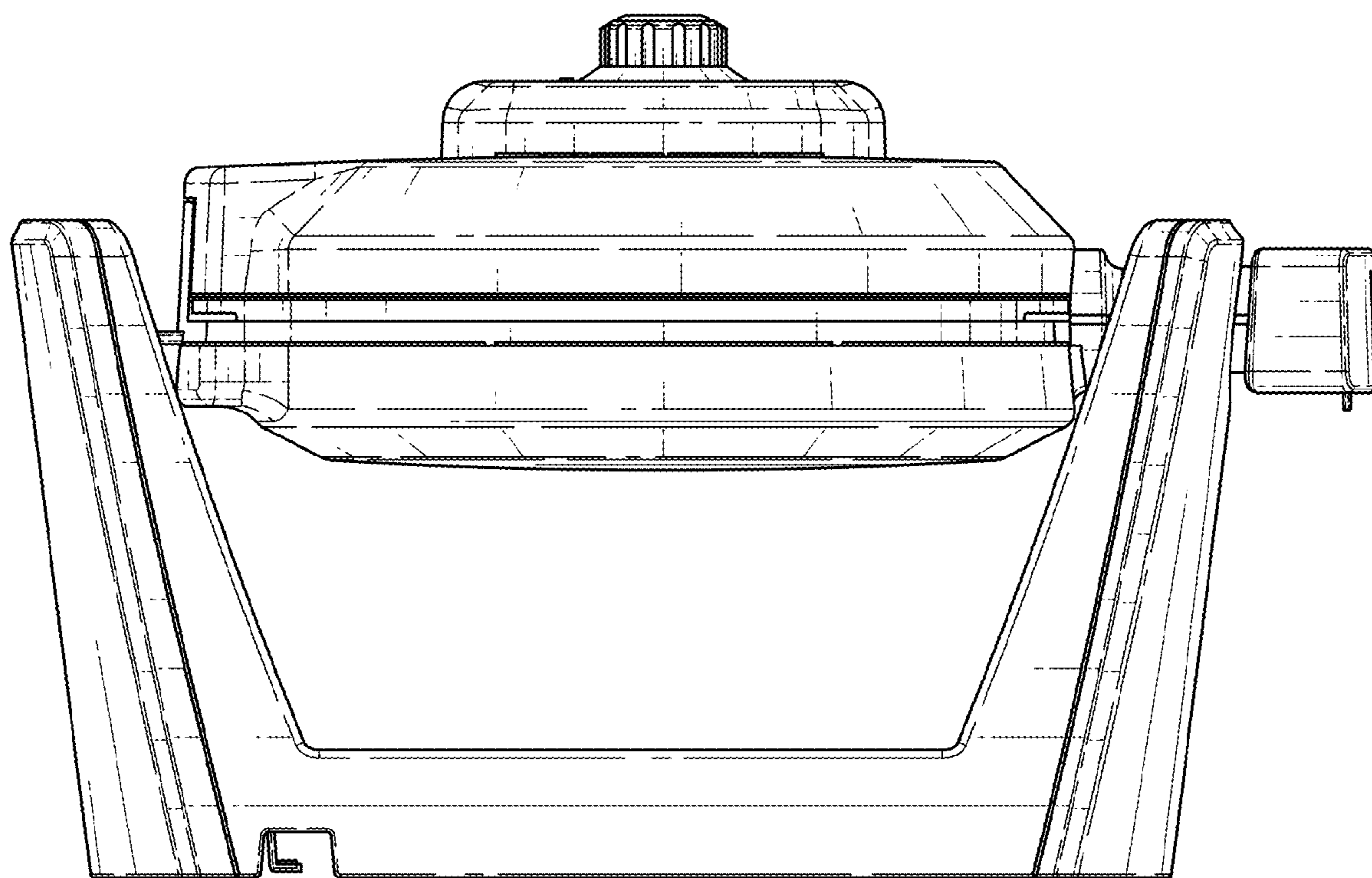


FIG. 10

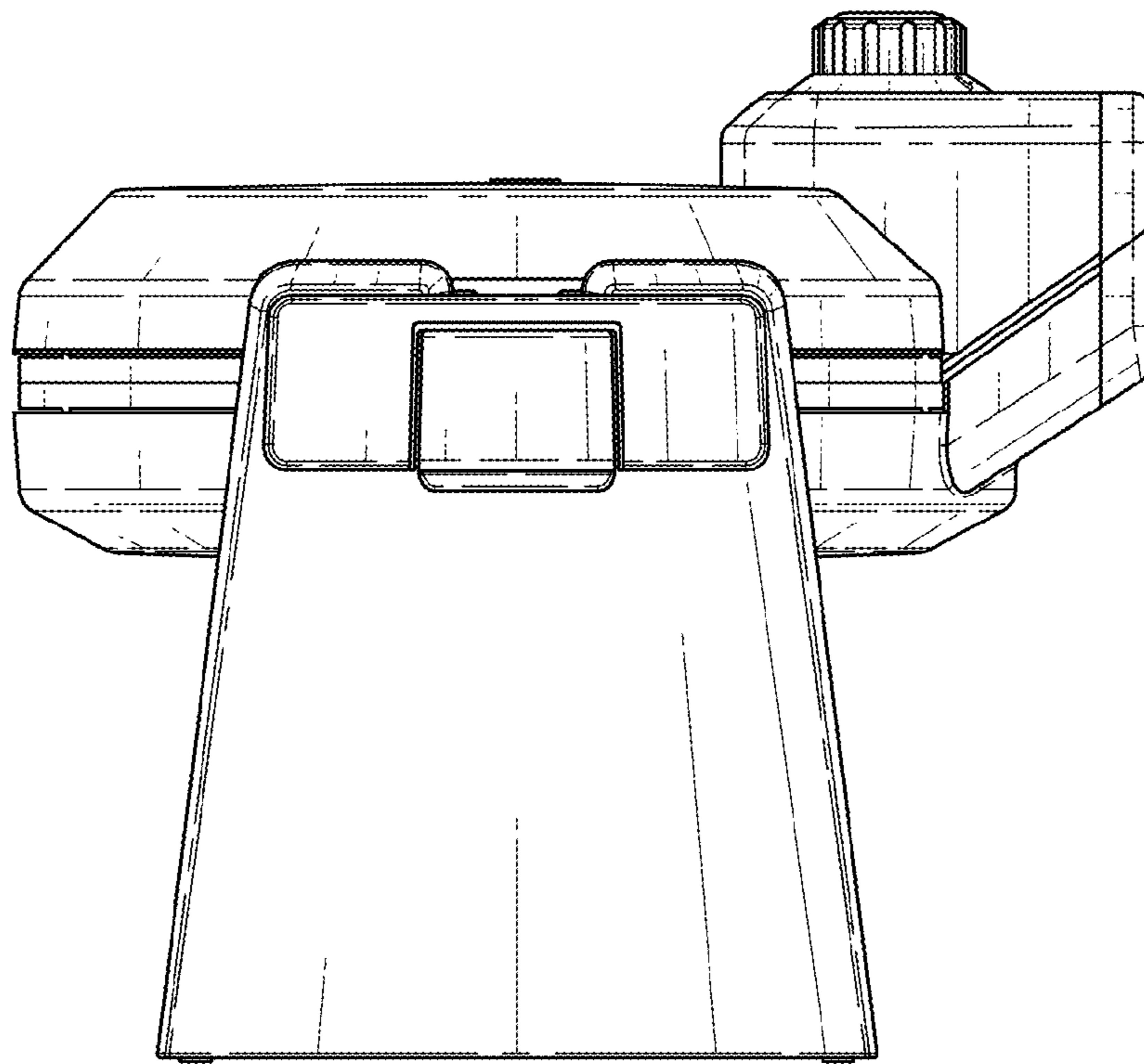


FIG. 11

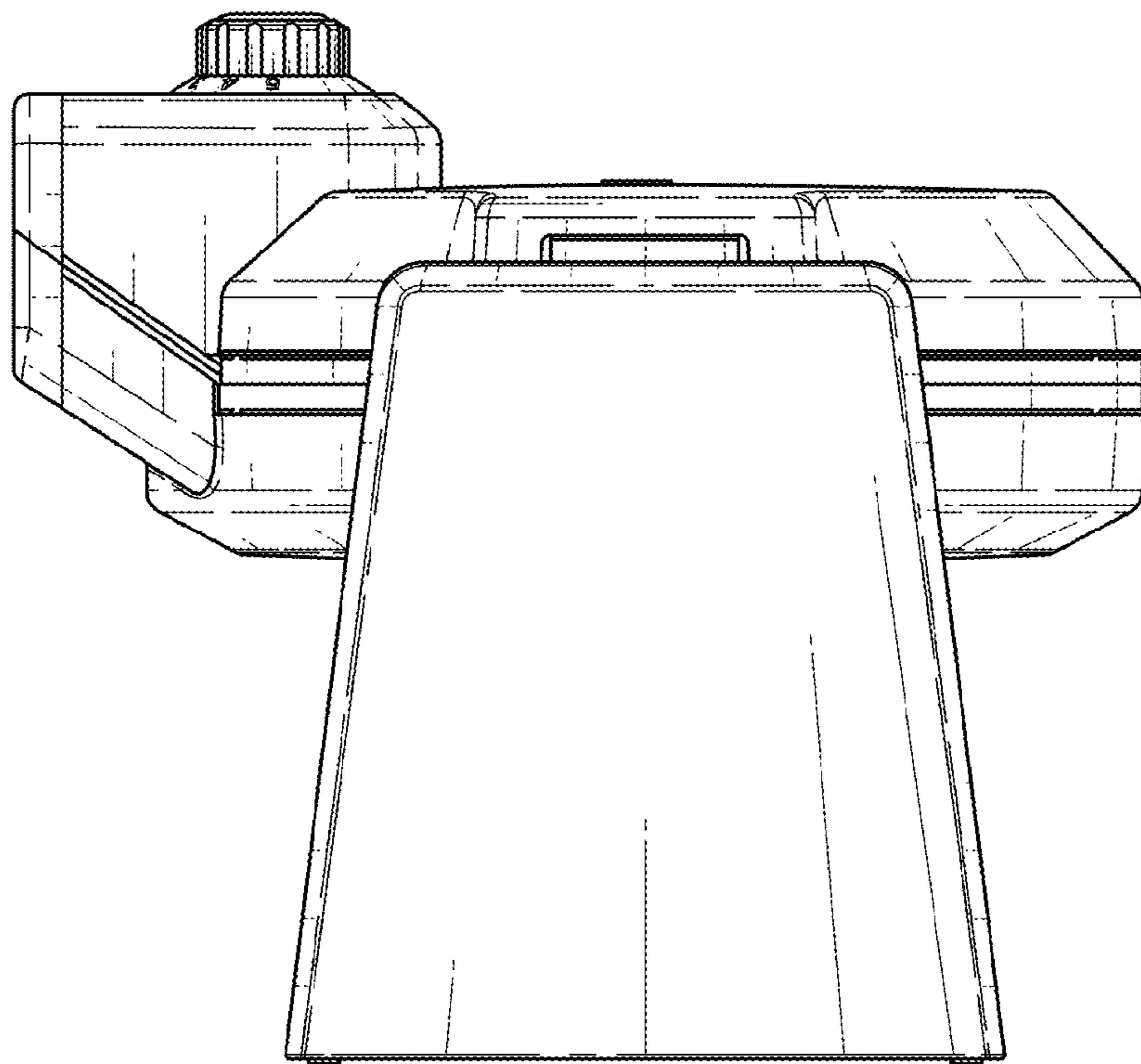


FIG. 12

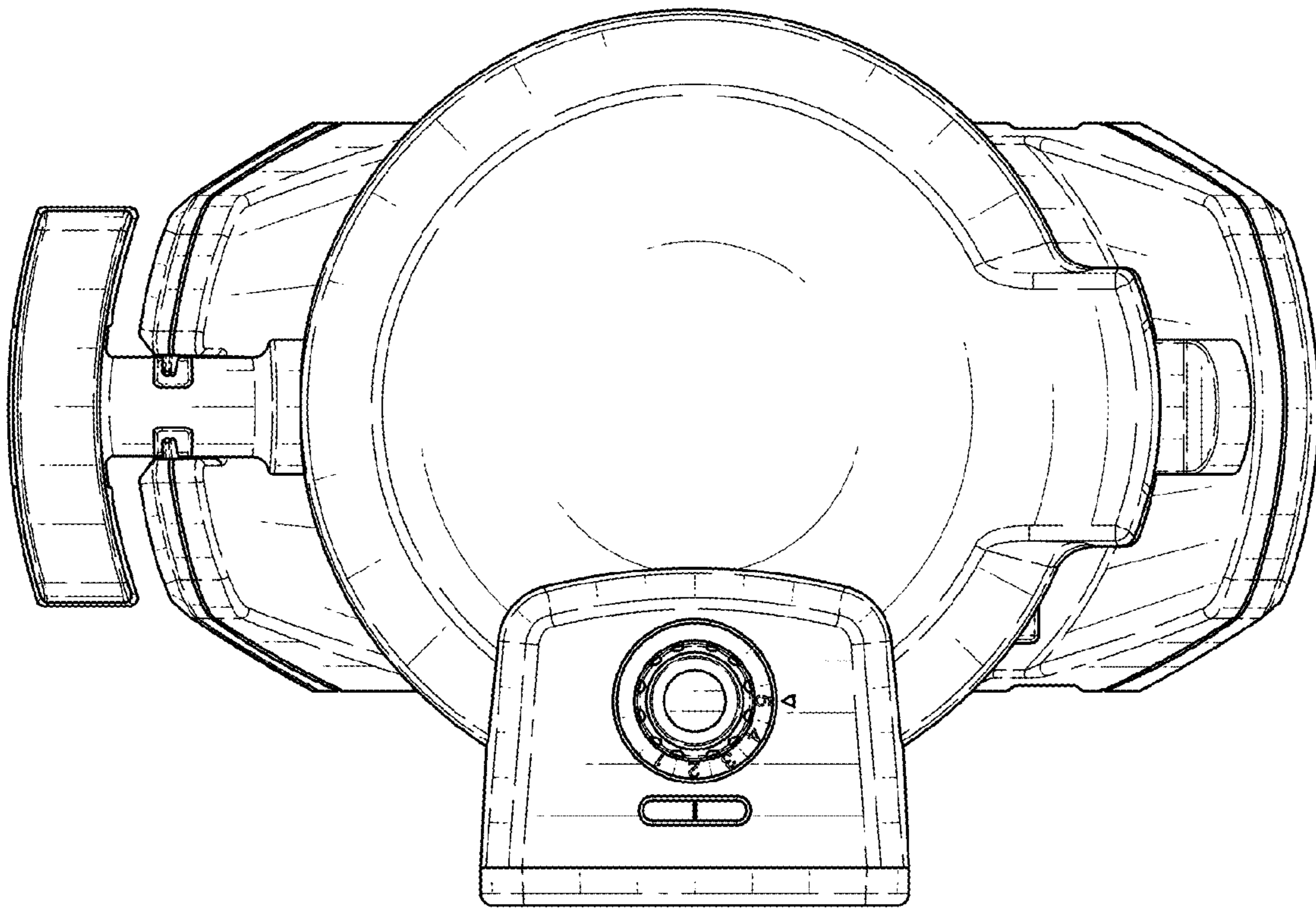


FIG. 13

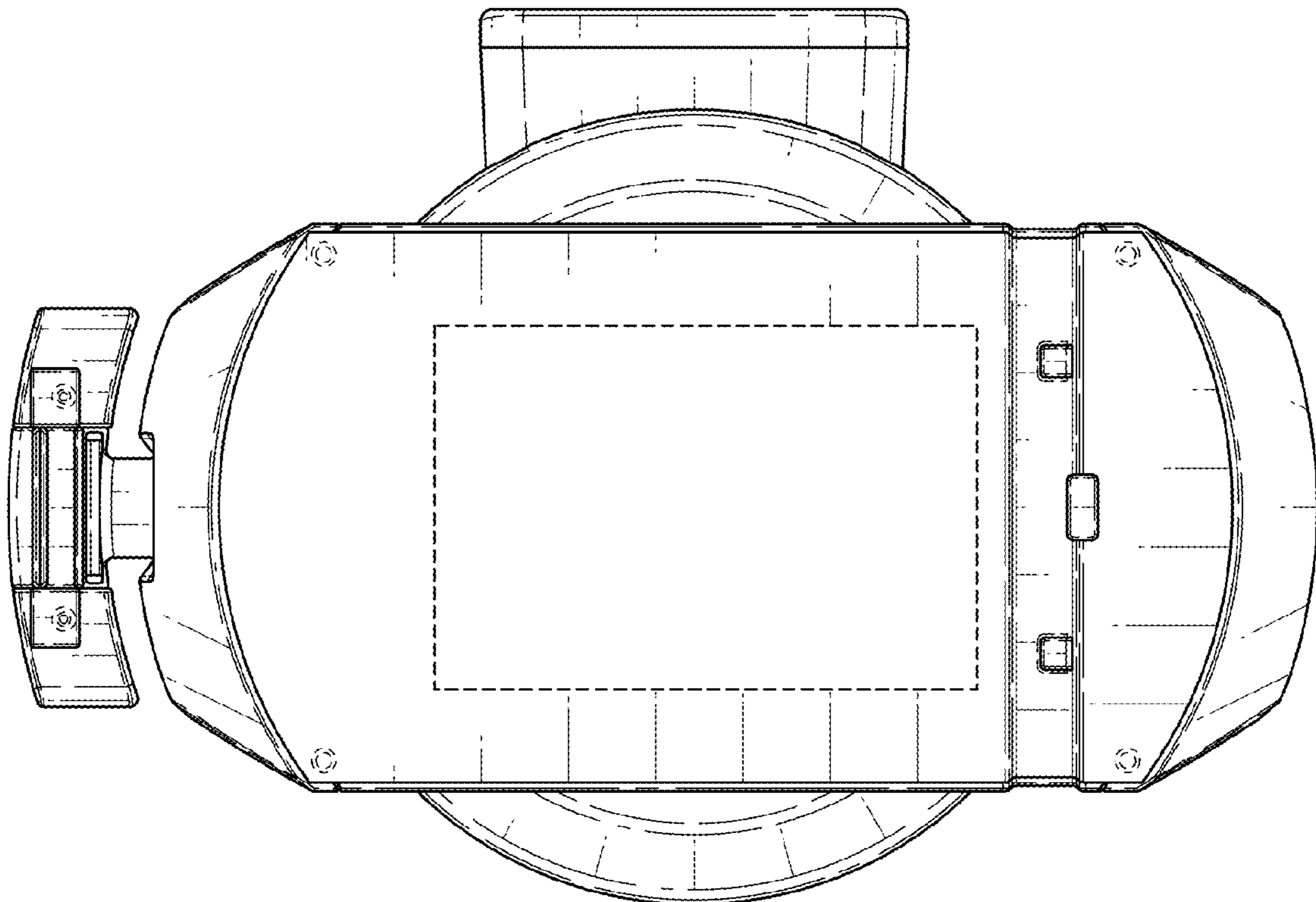


FIG. 14