



US00D977304S

(12) **United States Design Patent** (10) **Patent No.:** **US D977,304 S**  
**Mitrik et al.** (45) **Date of Patent:** **\*\* Feb. 7, 2023**

(54) **APPARATUS FOR COOKING STUFFED WAFFLES**  
(71) Applicant: **EMPOWER BRANDS, LLC**,  
Middleton, WI (US)  
(72) Inventors: **James Mitrik**, Fairfield, NJ (US); **Paul McGrath**, Fairfield, NJ (US)  
(73) Assignee: **Empower Brands, LLC**, Middleton,  
WI (US)  
(\*\*) Term: **15 Years**  
(21) Appl. No.: **29/781,980**  
(22) Filed: **May 3, 2021**  
(51) **LOC (14) Cl.** ..... **07-02**  
(52) **U.S. Cl.**  
USPC ..... **D7/410; D7/352; D7/362; D7/363**  
(58) **Field of Classification Search**  
USPC ..... **D7/323, 328-330, 337, 347, 352-364,**  
**D7/367, 402, 409-411**  
CPC . **A21B 5/023; A47J 27/60; A47J 27/62; A47J**  
**37/04; A47J 37/015; A47J 37/06; A47J**  
**37/067; A47J 37/0605; A47J 37/0611;**  
**A47J 37/0623; A47J 37/0629; A47J**  
**37/0676; A47J 2037/06; A47J 2037/0611;**  
**F24C 15/10; F24C 15/102; H05B 6/02;**  
**H05B 6/062**  
See application file for complete search history.

(56) **References Cited**  
**U.S. PATENT DOCUMENTS**  
D299,609 S \* 1/1989 Madl ..... D7/352  
D309,844 S \* 8/1990 Storsberg ..... D7/352  
D334,108 S \* 3/1993 Fisher ..... D7/367  
(Continued)

**OTHER PUBLICATIONS**  
Genuine Wafflizer, 7" Electric Waffle Maker. Date First Available on Amazon.com Jun. 2, 2022. <https://www.amazon.com/dp/B0B31JR6WJ/ref> (Year: 2022).\*  
(Continued)

*Primary Examiner* — Ricky Pham  
(74) *Attorney, Agent, or Firm* — Foley & Lardner LLP

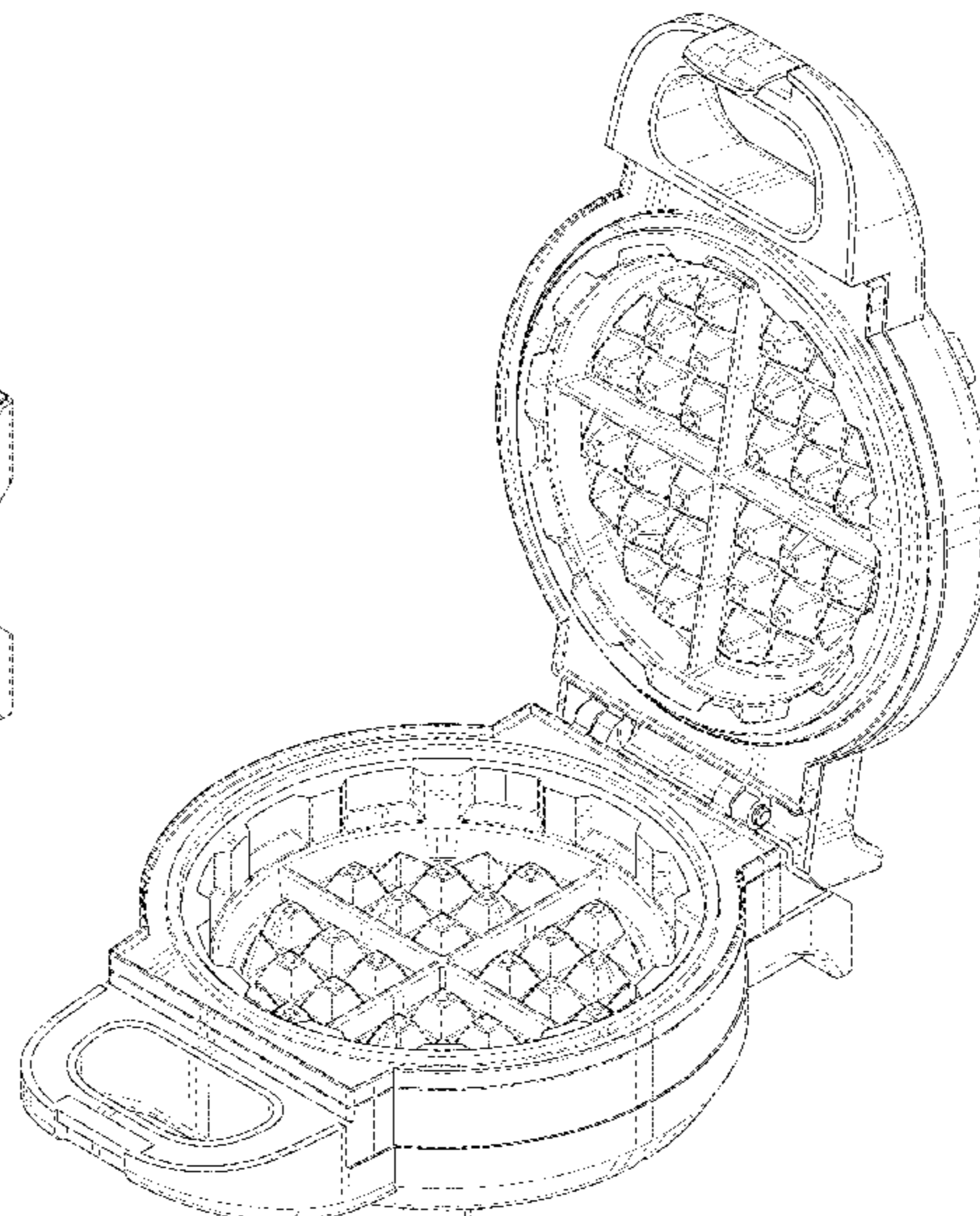
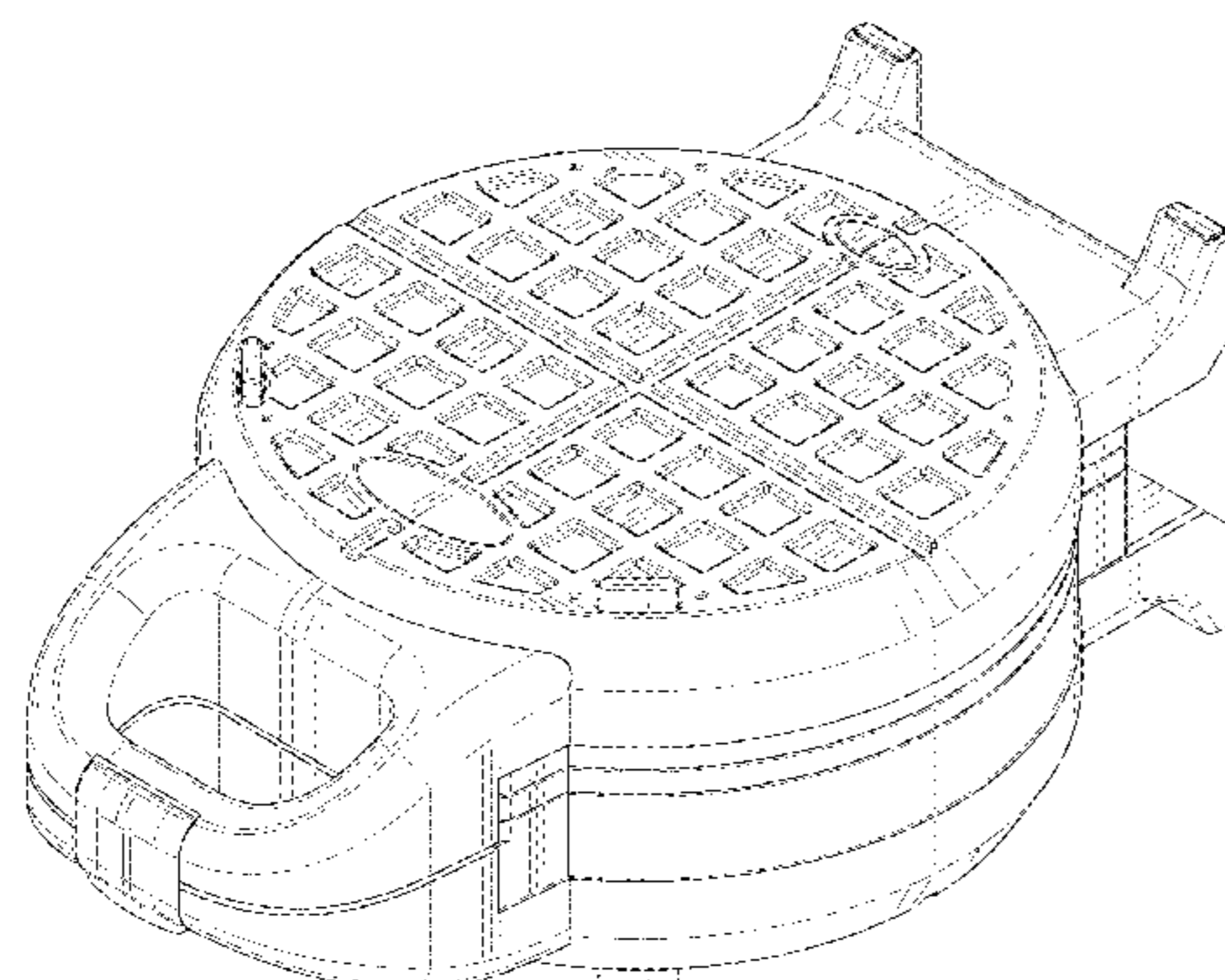
(57) **CLAIM**

The ornamental design for an apparatus for cooking stuffed waffles, as shown and described.

**DESCRIPTION**

FIG. 1 is a perspective view of a closed apparatus for cooking stuffed waffles;  
FIG. 2 is a front view of a closed apparatus for cooking stuffed waffles;  
FIG. 3 is a rear view of a closed apparatus for cooking stuffed waffles;  
FIG. 4 is a side view of a closed apparatus for cooking stuffed waffles;  
FIG. 5 is a side view of a closed apparatus for cooking stuffed waffles;  
FIG. 6 is a top view of a closed apparatus for cooking stuffed waffles;  
FIG. 7 is a bottom view of a closed apparatus for cooking stuffed waffles;  
FIG. 8 is a perspective view of an open apparatus for cooking stuffed waffles;  
FIG. 9 is a front view of an open apparatus for cooking stuffed waffles;  
FIG. 10 is a rear view of an open apparatus for cooking stuffed waffles;  
FIG. 11 is a side view of an open apparatus for cooking stuffed waffles;  
FIG. 12 is a side view of an open apparatus for cooking stuffed waffles;  
FIG. 13 is a top view of an open apparatus for cooking stuffed waffles; and,  
FIG. 14 is a bottom view of an open apparatus for cooking stuffed waffles.

**1 Claim, 14 Drawing Sheets**



(56)

**References Cited**

U.S. PATENT DOCUMENTS

D364,992 S \* 12/1995 Wooderson ..... D7/323  
6,555,795 B2 \* 4/2003 Glucksman ..... A47J 37/0611  
219/524  
D543,410 S \* 5/2007 Cohen ..... A47J 37/0611  
D7/352  
D670,530 S \* 11/2012 Huber ..... D7/363  
D677,513 S \* 3/2013 Blacken ..... D7/363  
10,285,537 B2 \* 5/2019 Zhan ..... A47J 37/0611  
10,413,120 B2 \* 9/2019 Zhan ..... A47J 37/0611  
2015/0164274 A1 \* 6/2015 Jinzhao ..... A47J 37/015  
99/372

OTHER PUBLICATIONS

Agiostar Belgian Waffle Maker. Date First Available on Amazon.  
com Dec. 17, 2019. <https://www.amazon.com/dp/B082TPWCJP/ref>  
(Year: 2019).\*

\* cited by examiner



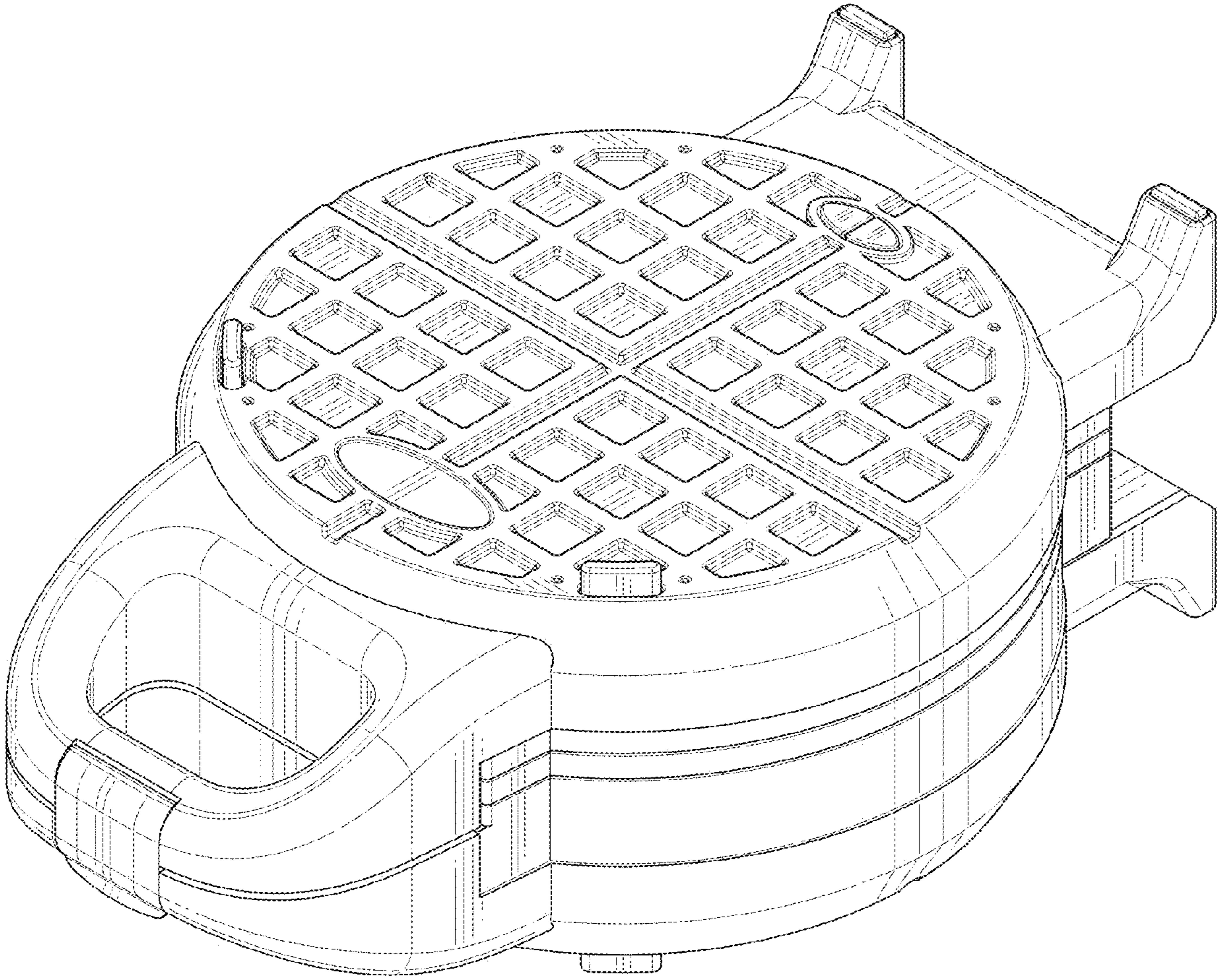


FIG. 1

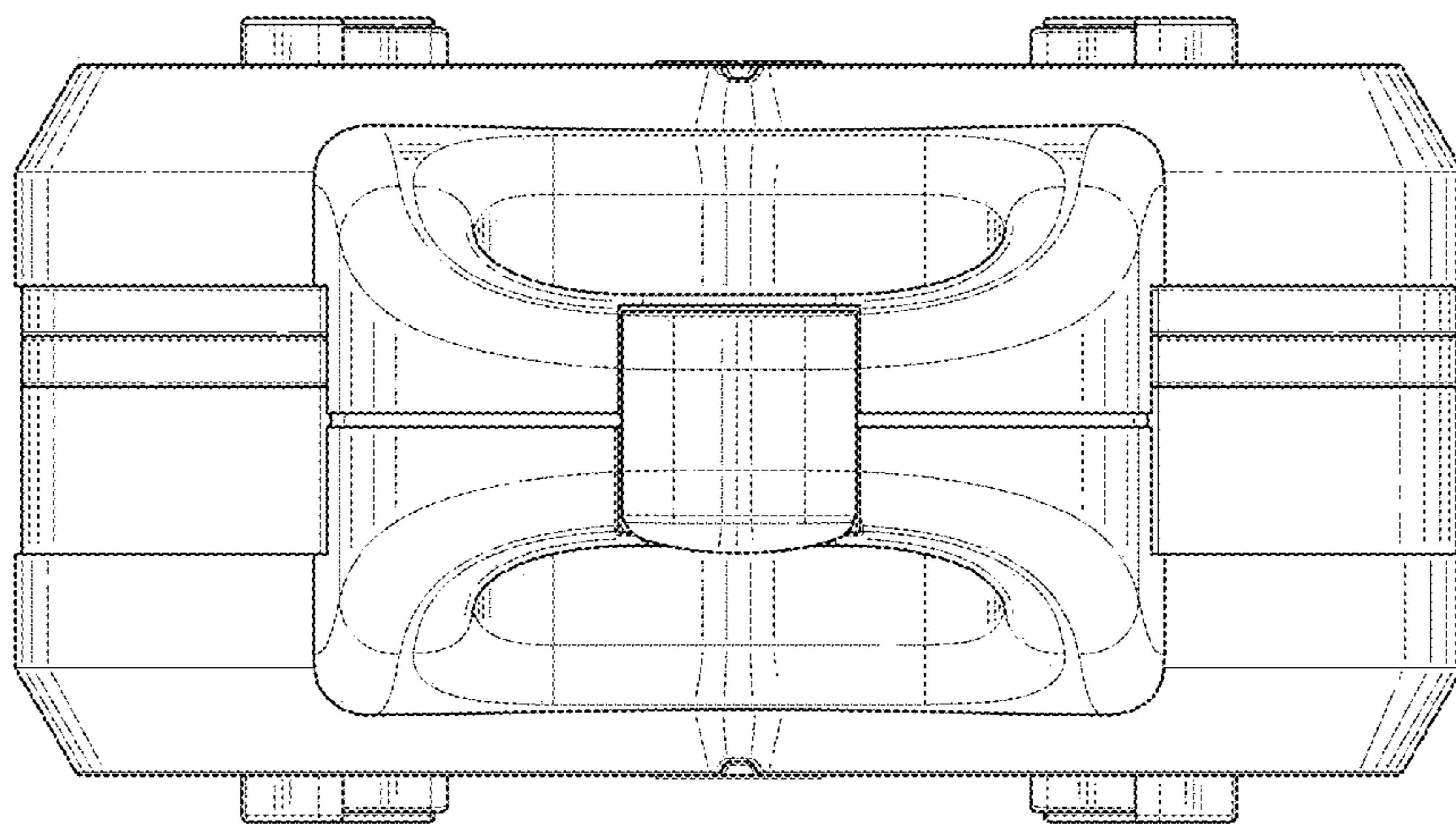


FIG. 2

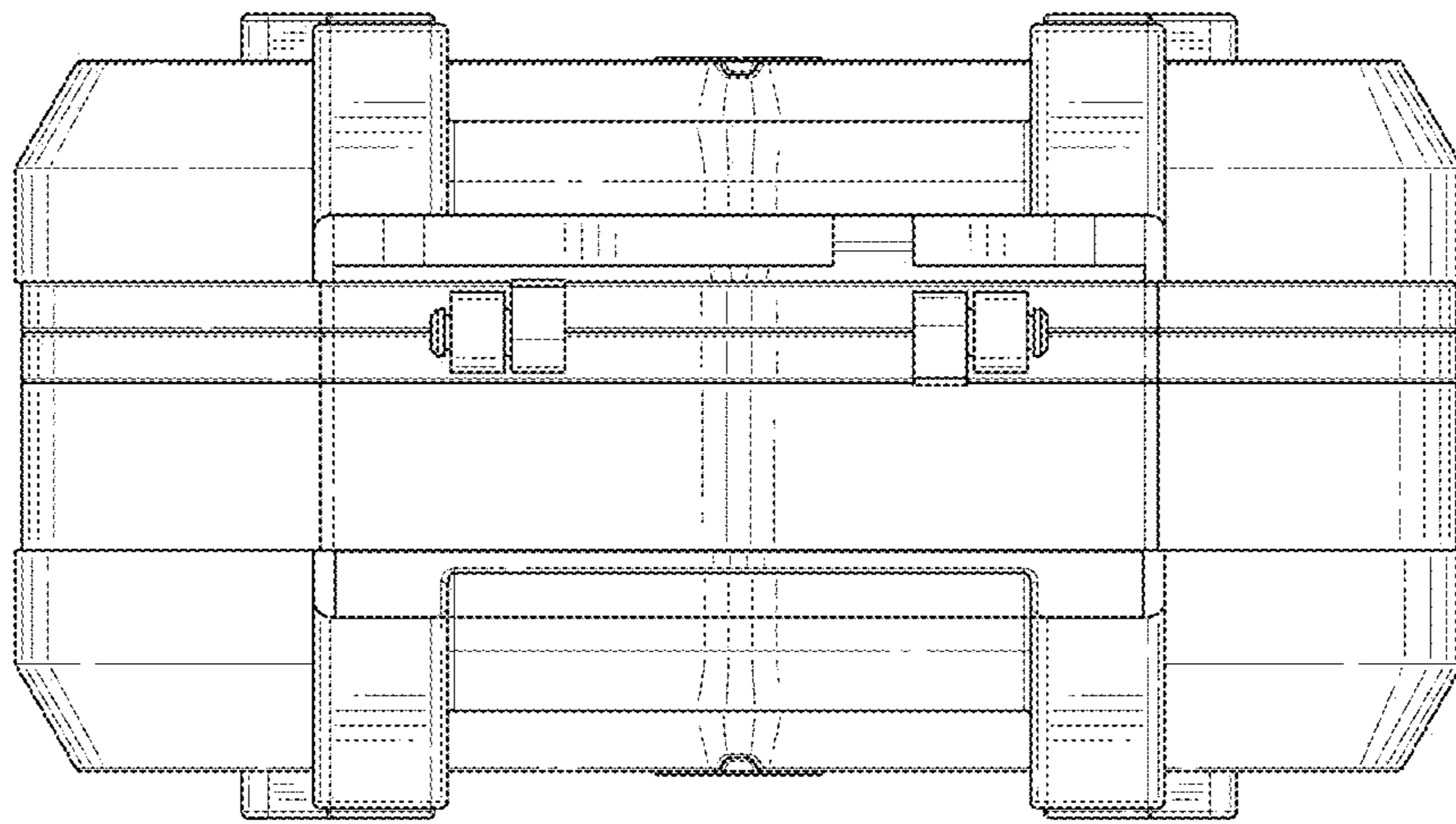


FIG. 3

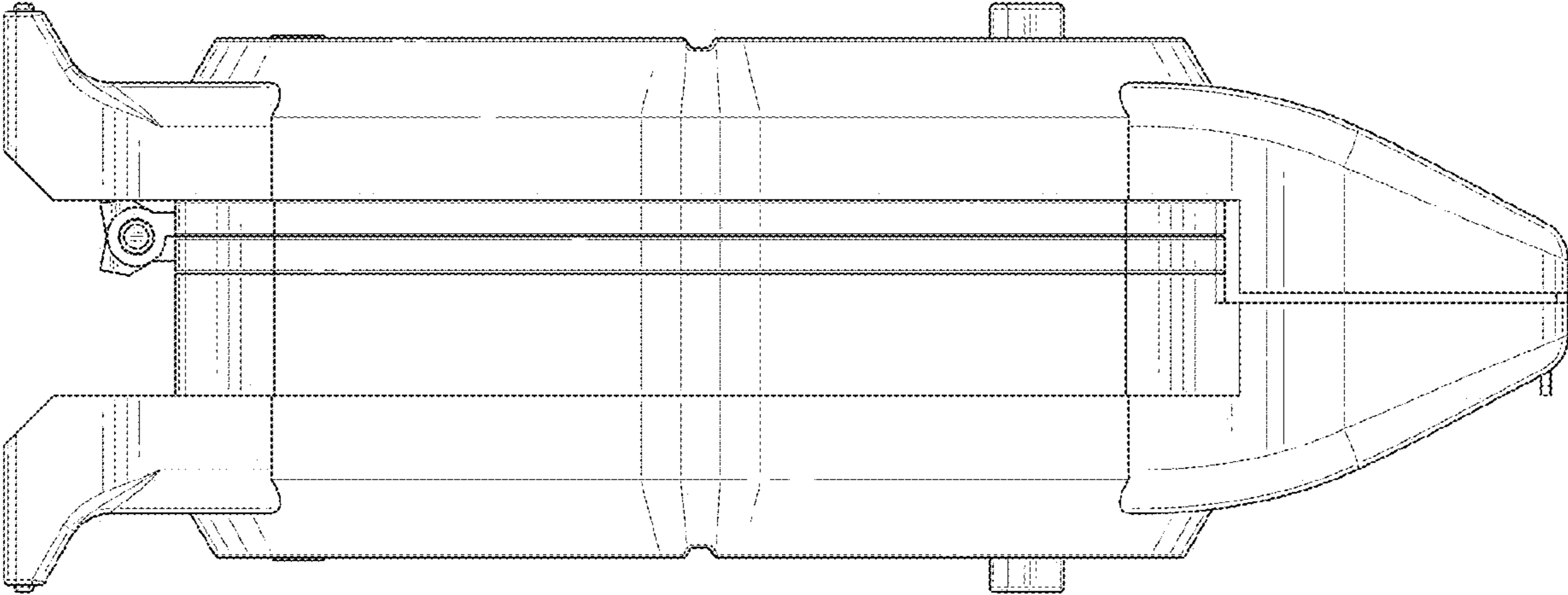


FIG. 4

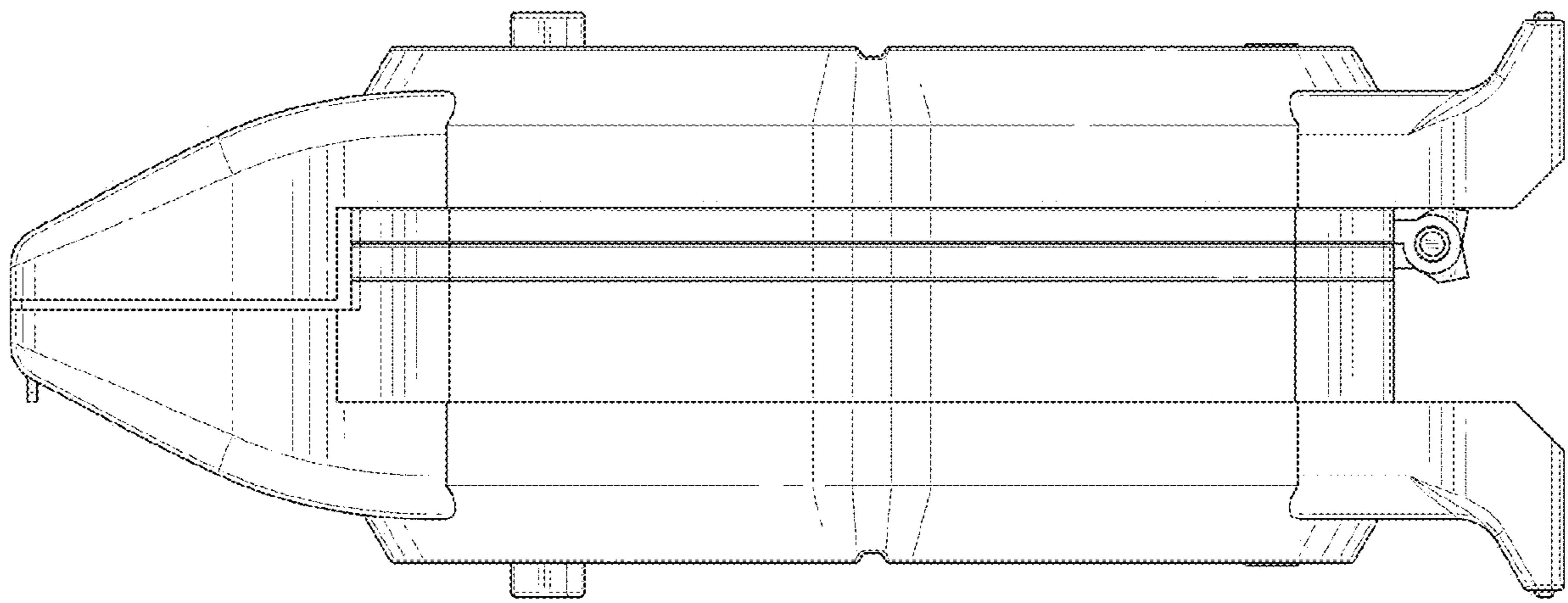


FIG. 5



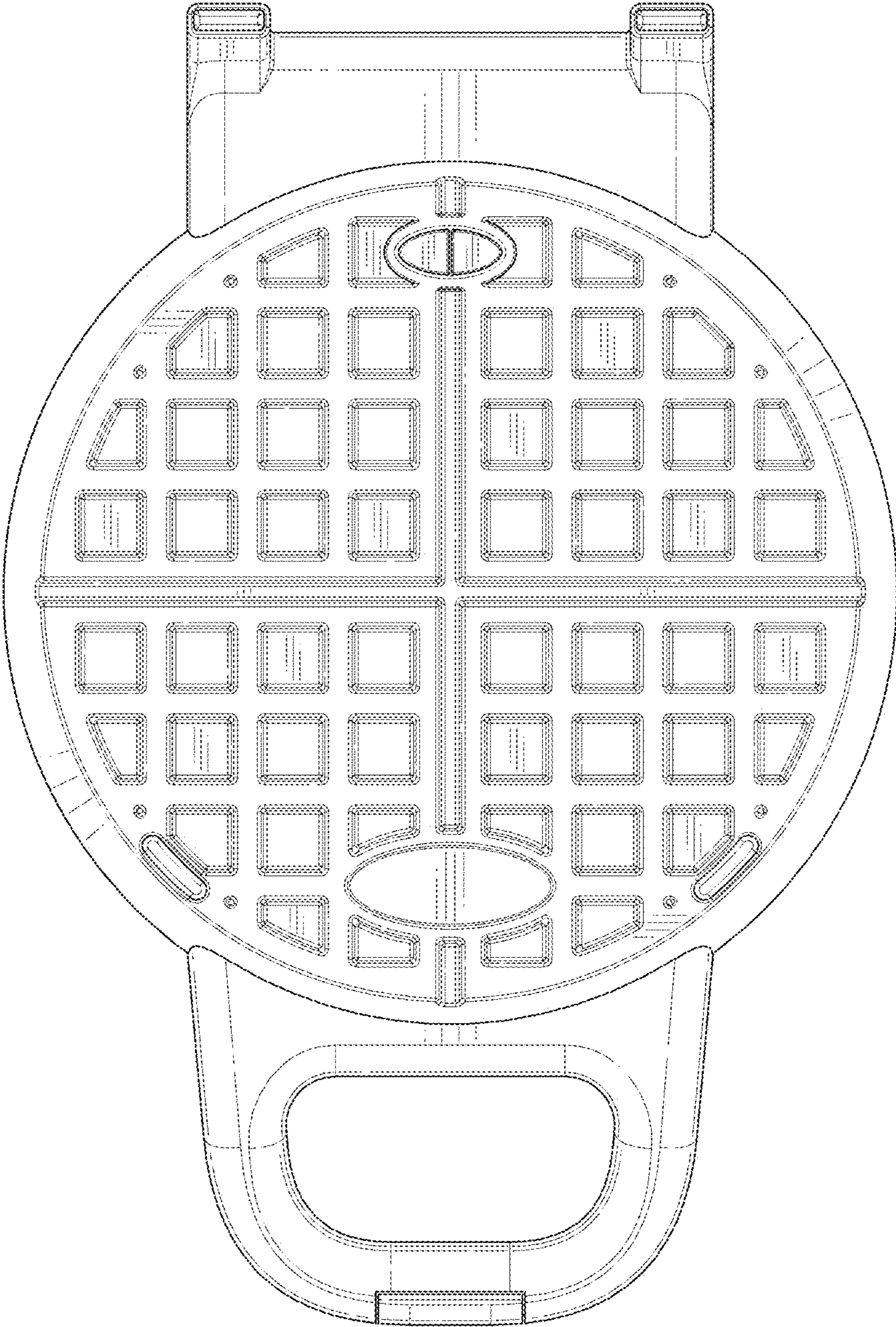


FIG. 6



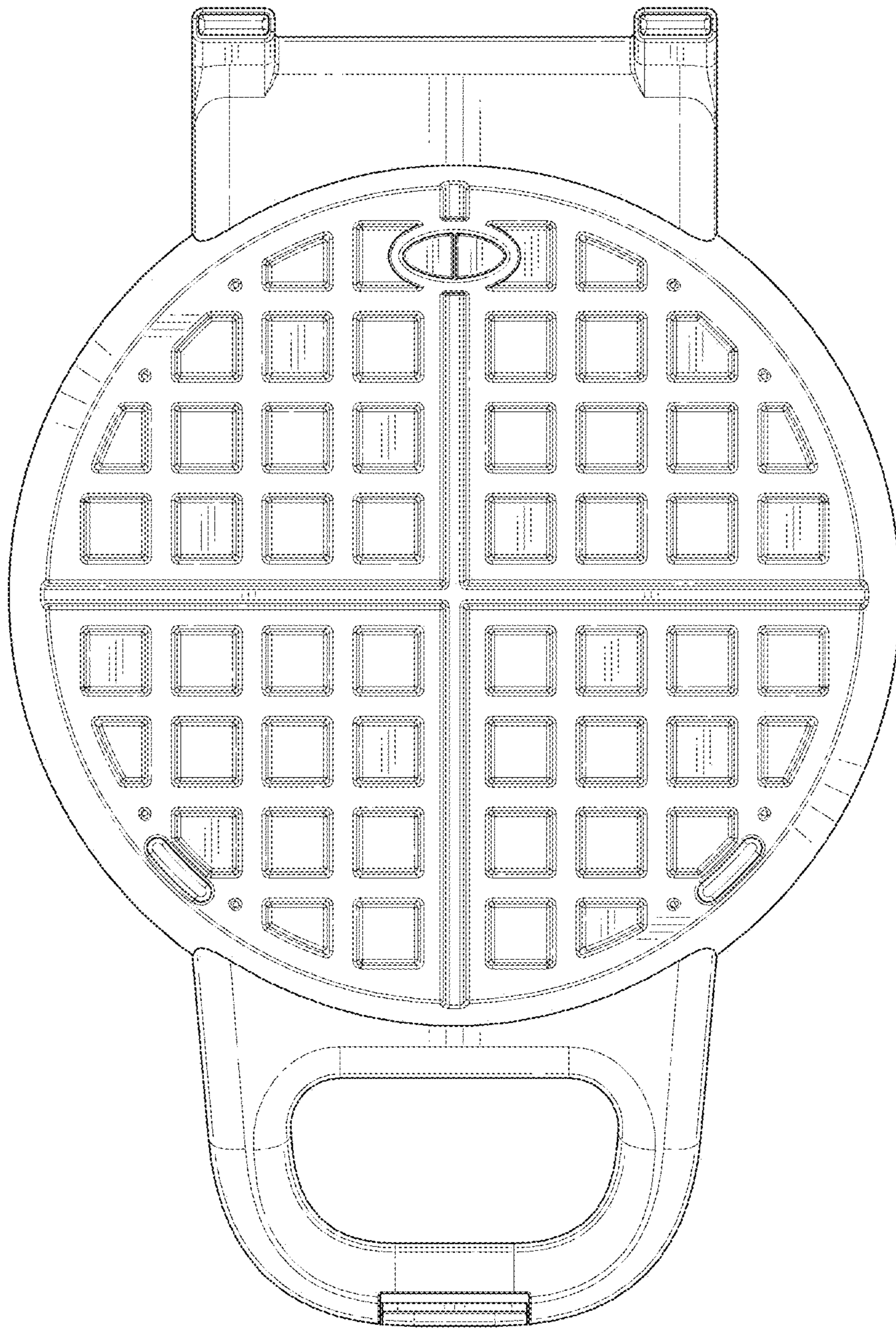


FIG. 7

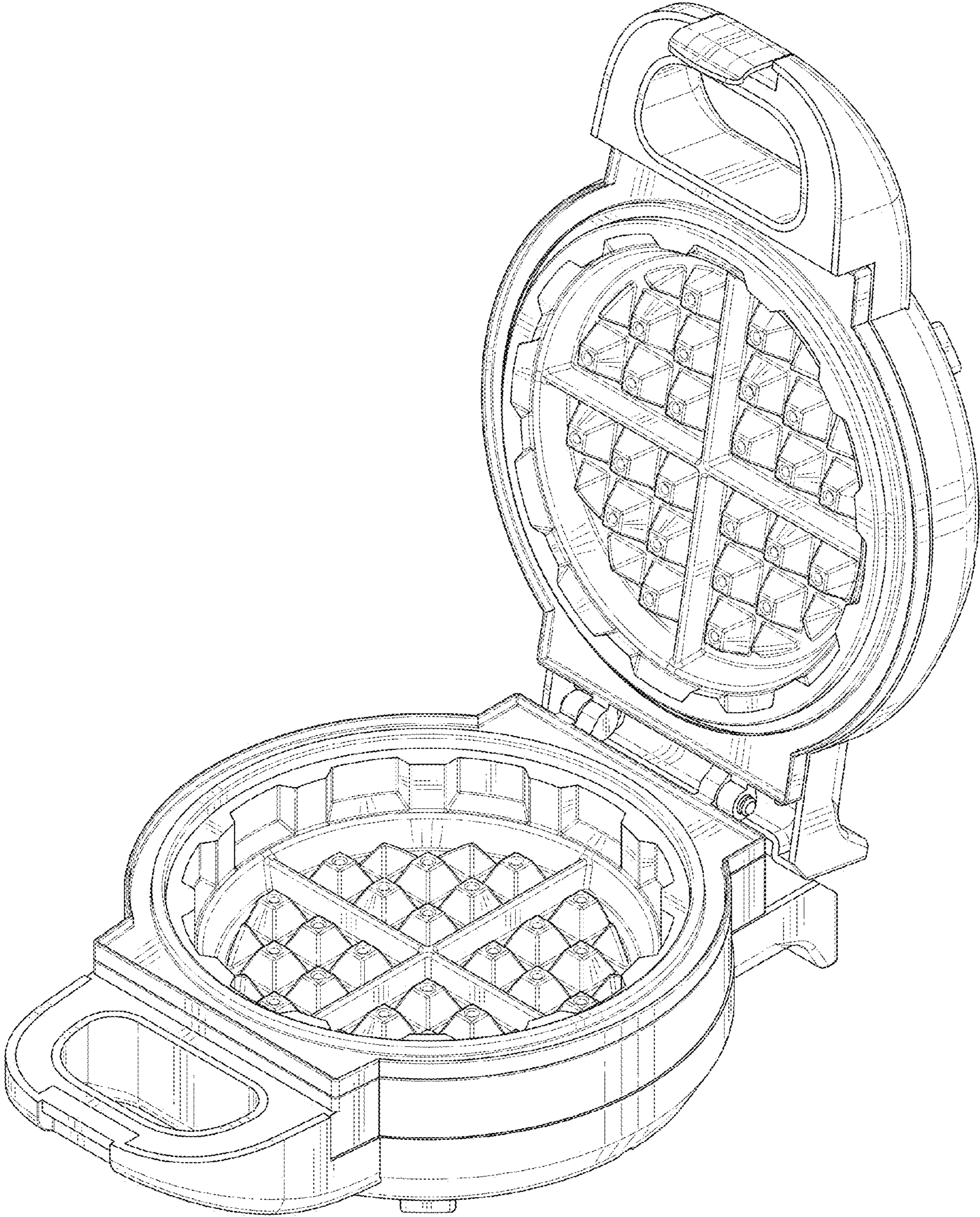


FIG. 8



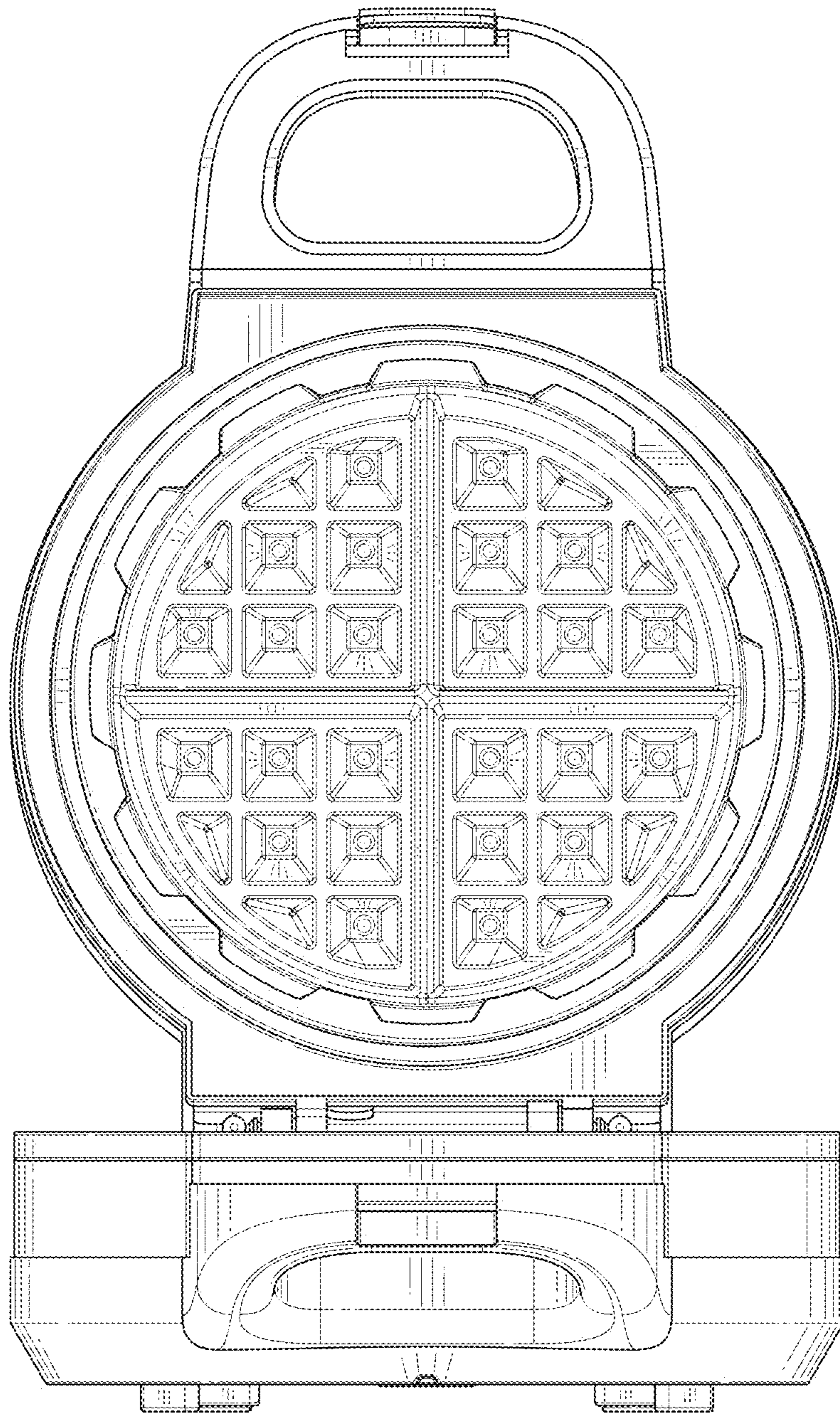


FIG. 9

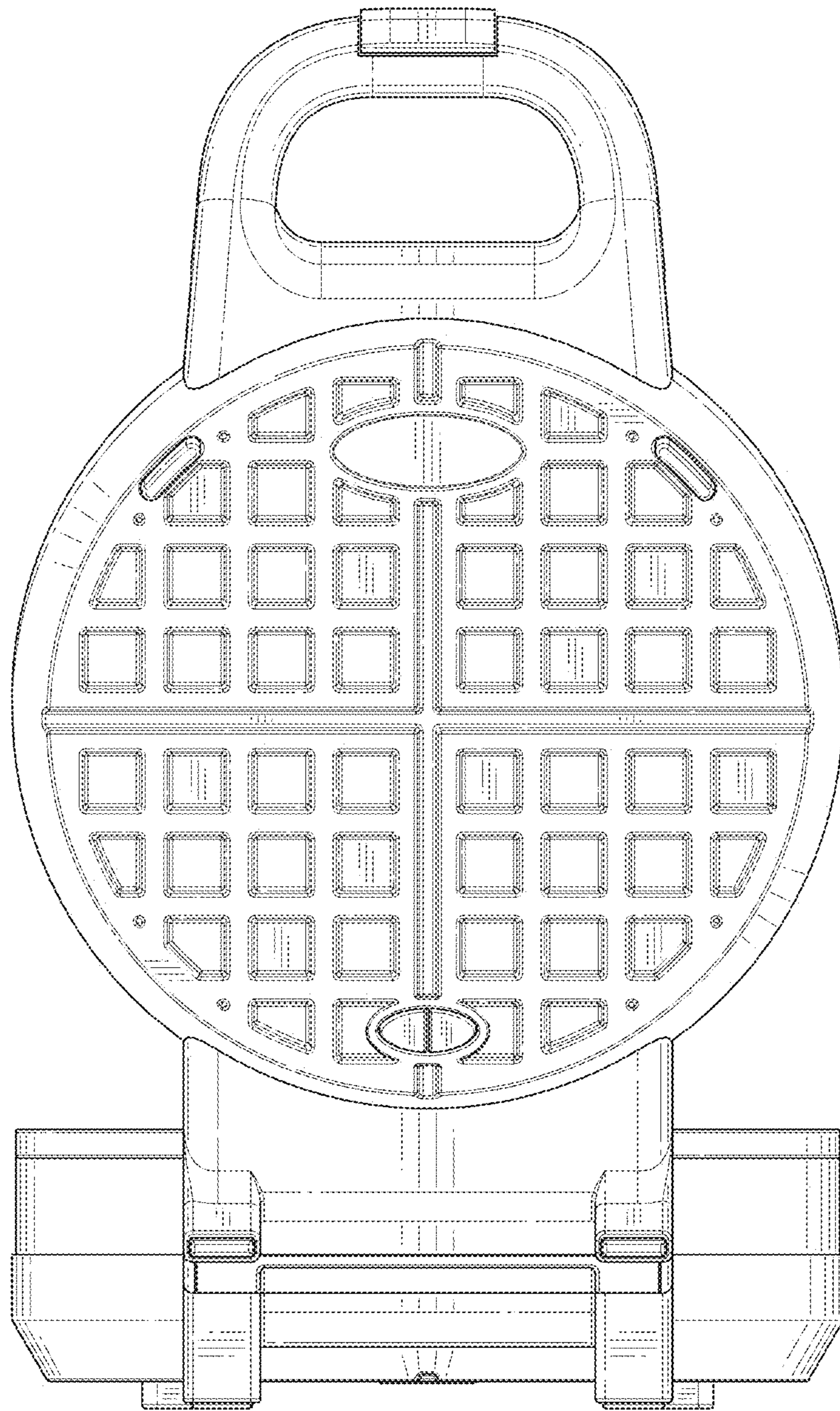


FIG. 10



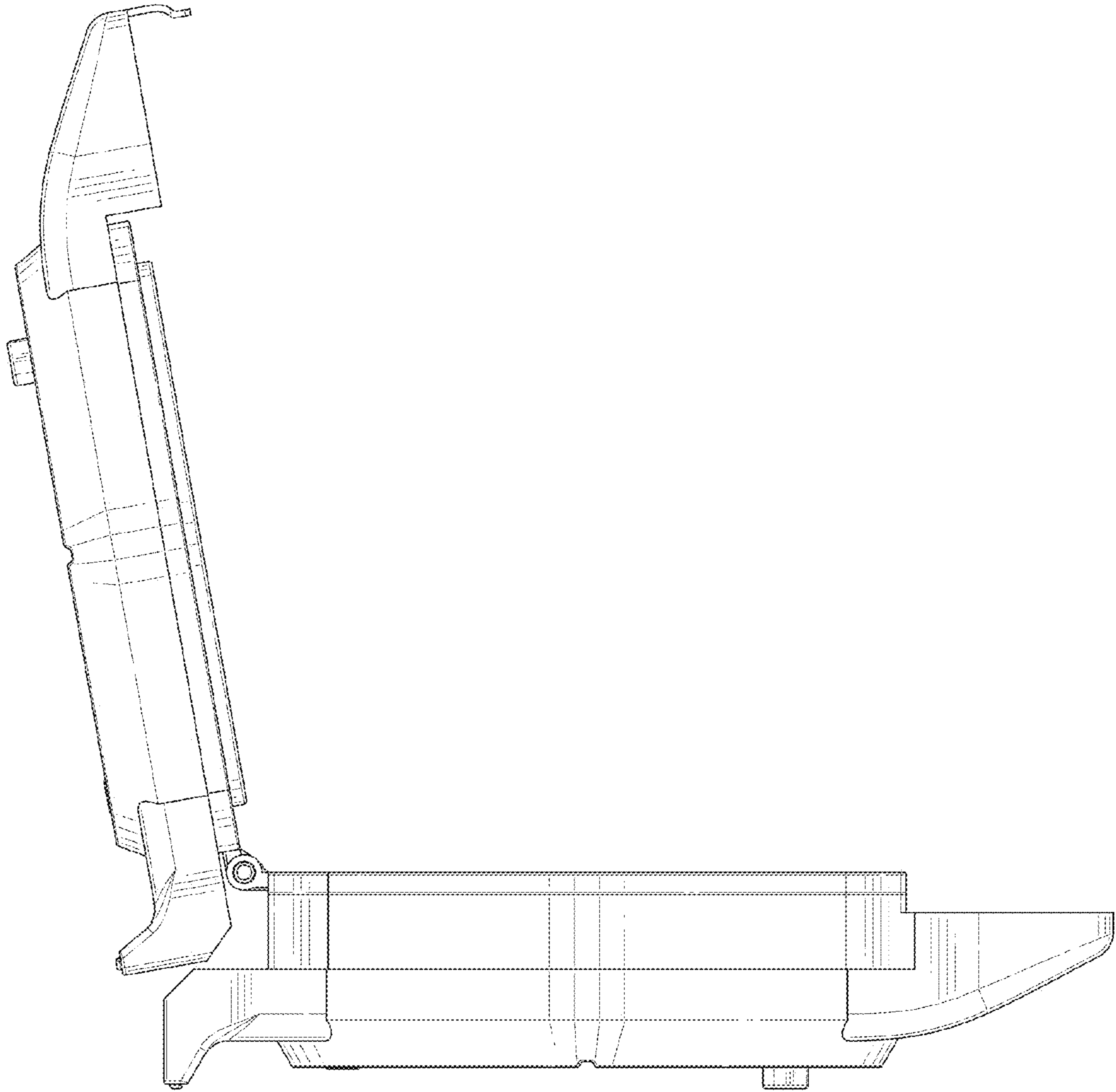


FIG. 11

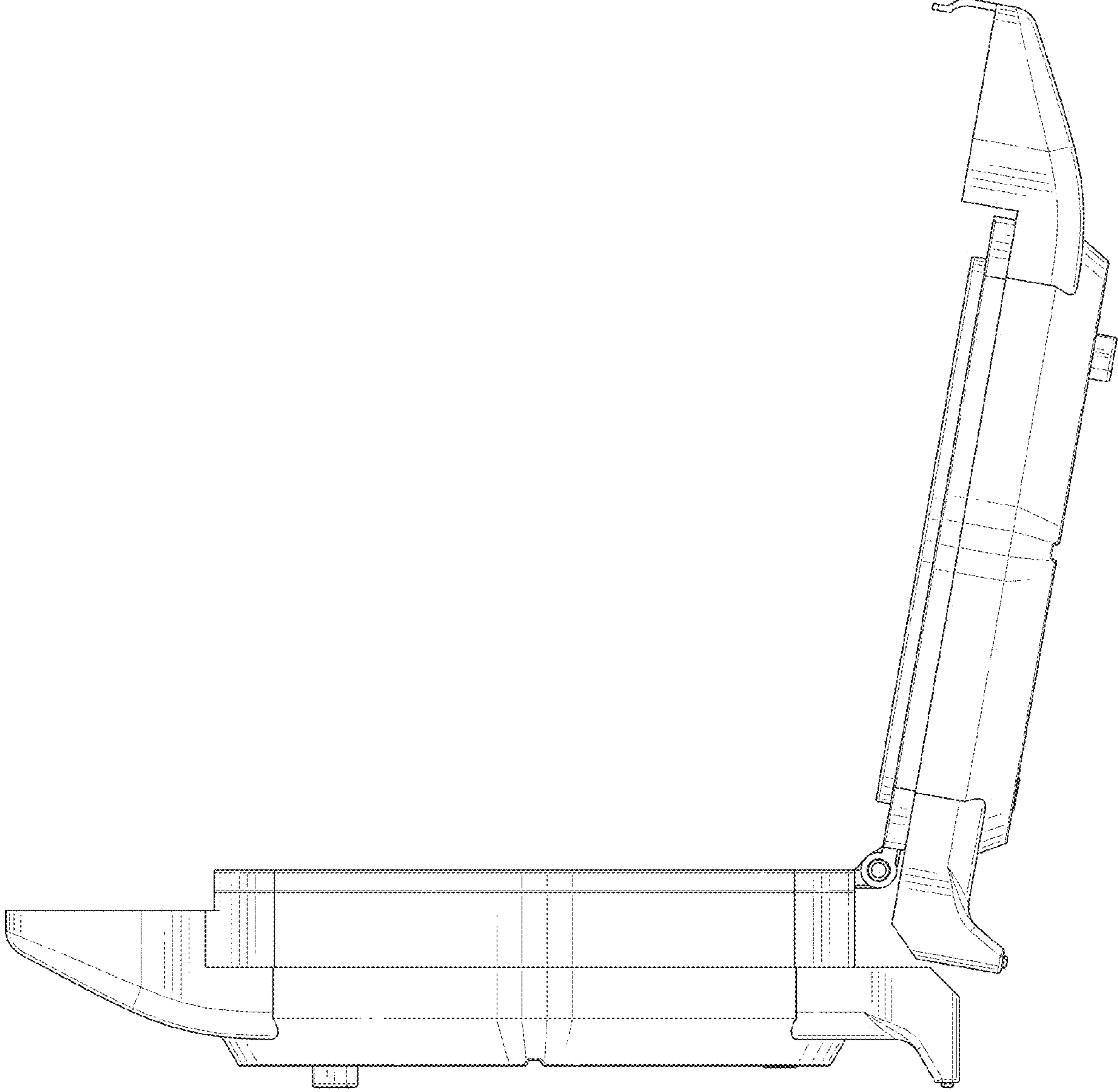


FIG. 12

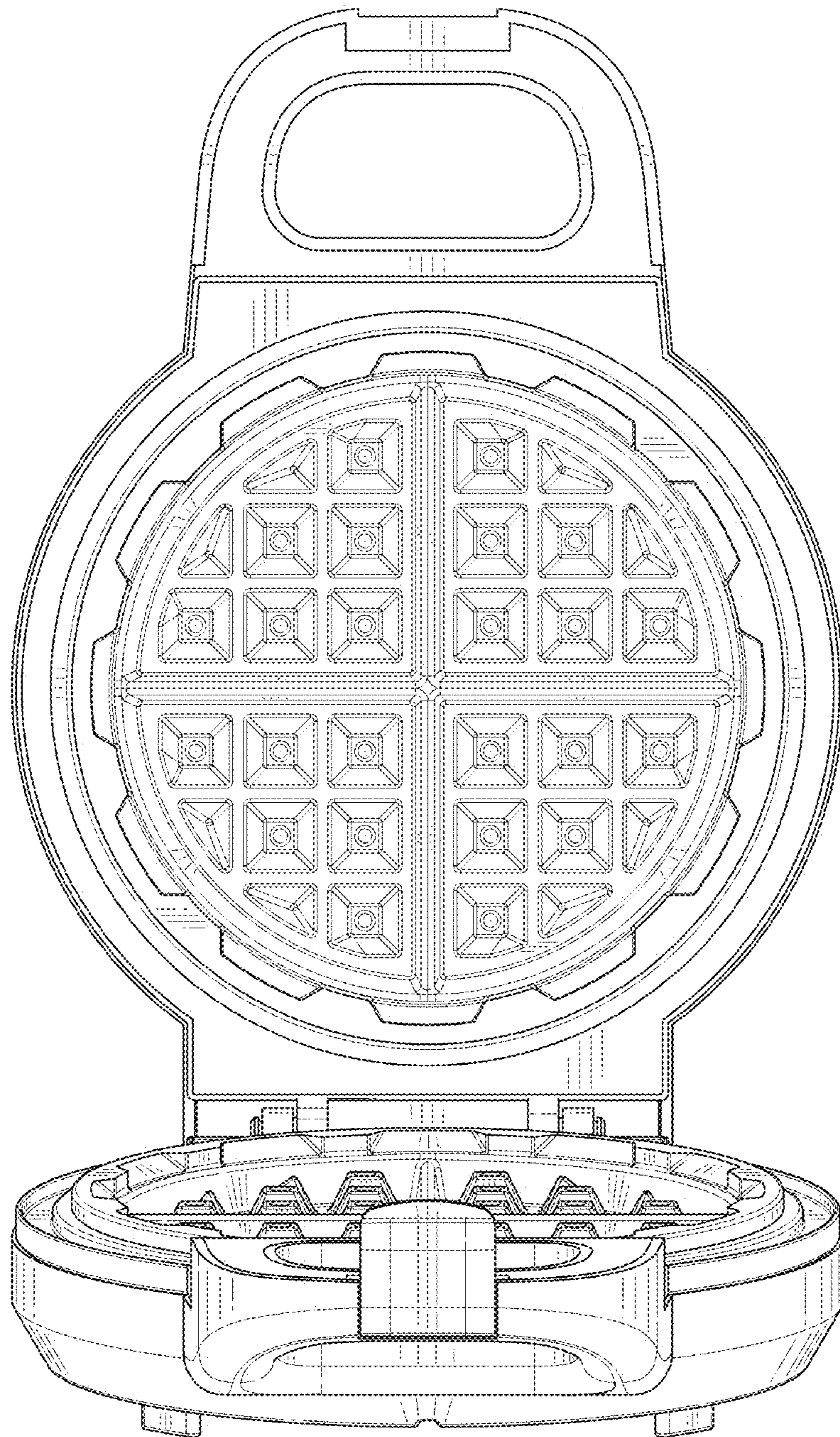


FIG. 13



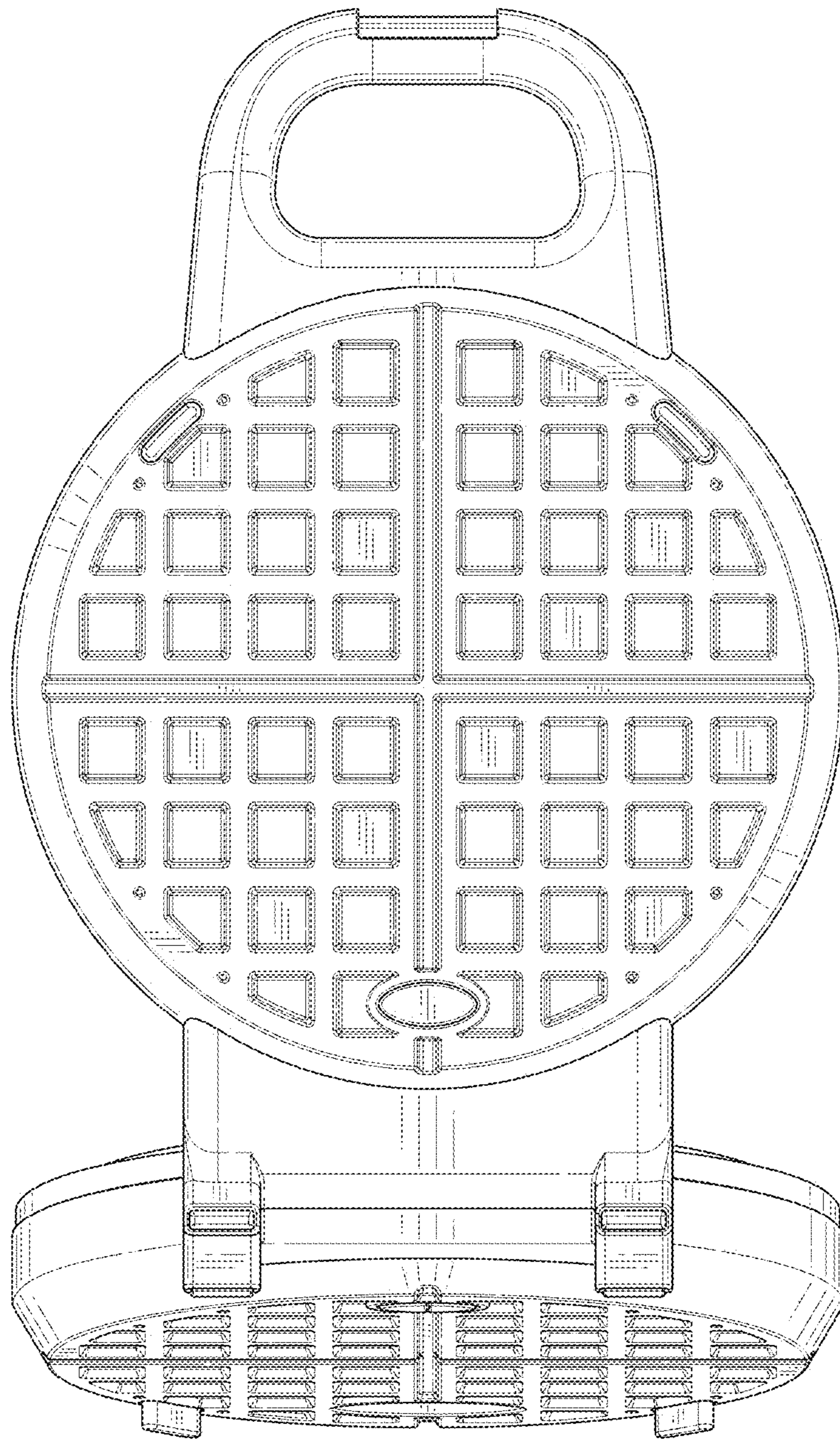


FIG. 14