



US00D977302S

(12) **United States Design Patent**  
**Guo**

(10) **Patent No.:** **US D977,302 S**  
(45) **Date of Patent:** **\*\* Feb. 7, 2023**

(54) **COFFEE FILTER**  
(71) Applicant: **Zhen Guo**, Huizhou (CN)  
(72) Inventor: **Zhen Guo**, Huizhou (CN)  
(\*\*) Term: **15 Years**

(21) Appl. No.: **29/823,465**  
(22) Filed: **Jan. 18, 2022**

(30) **Foreign Application Priority Data**

Dec. 24, 2021 (CN) ..... 202130857269.2

(51) **LOC (14) Cl.** ..... **07-06**  
(52) **U.S. Cl.**  
USPC ..... **D7/400**

(58) **Field of Classification Search**  
USPC ..... D7/305, 309, 310, 312, 396.1, 396.2,  
D7/397, 399, 400, 401, 507, 523, 533,  
D7/535, 536; D9/434, 435  
CPC ..... A47J 31/005; A47J 31/06; A47J 31/0615;  
A47J 31/0626; A47G 19/22  
See application file for complete search history.

(56) **References Cited**

**U.S. PATENT DOCUMENTS**

D256,079 S \* 7/1980 Moncrief ..... D7/400  
D270,513 S \* 9/1983 Wallsten ..... D7/400  
D328,405 S \* 8/1992 Heiligenstein ..... D7/400  
D349,211 S \* 8/1994 Cerato ..... D7/400  
D455,608 S 4/2002 McWilliams  
D642,433 S \* 8/2011 Tuan ..... D7/400  
D717,110 S \* 11/2014 De Leo ..... D7/400

D860,724 S 9/2019 Kassin et al.  
D888,497 S \* 6/2020 Cai ..... D7/400  
D936,416 S \* 11/2021 Yang ..... D7/400

**FOREIGN PATENT DOCUMENTS**

JP D1726745 \* 4/2022  
\* cited by examiner

*Primary Examiner* — Andrew Kerr

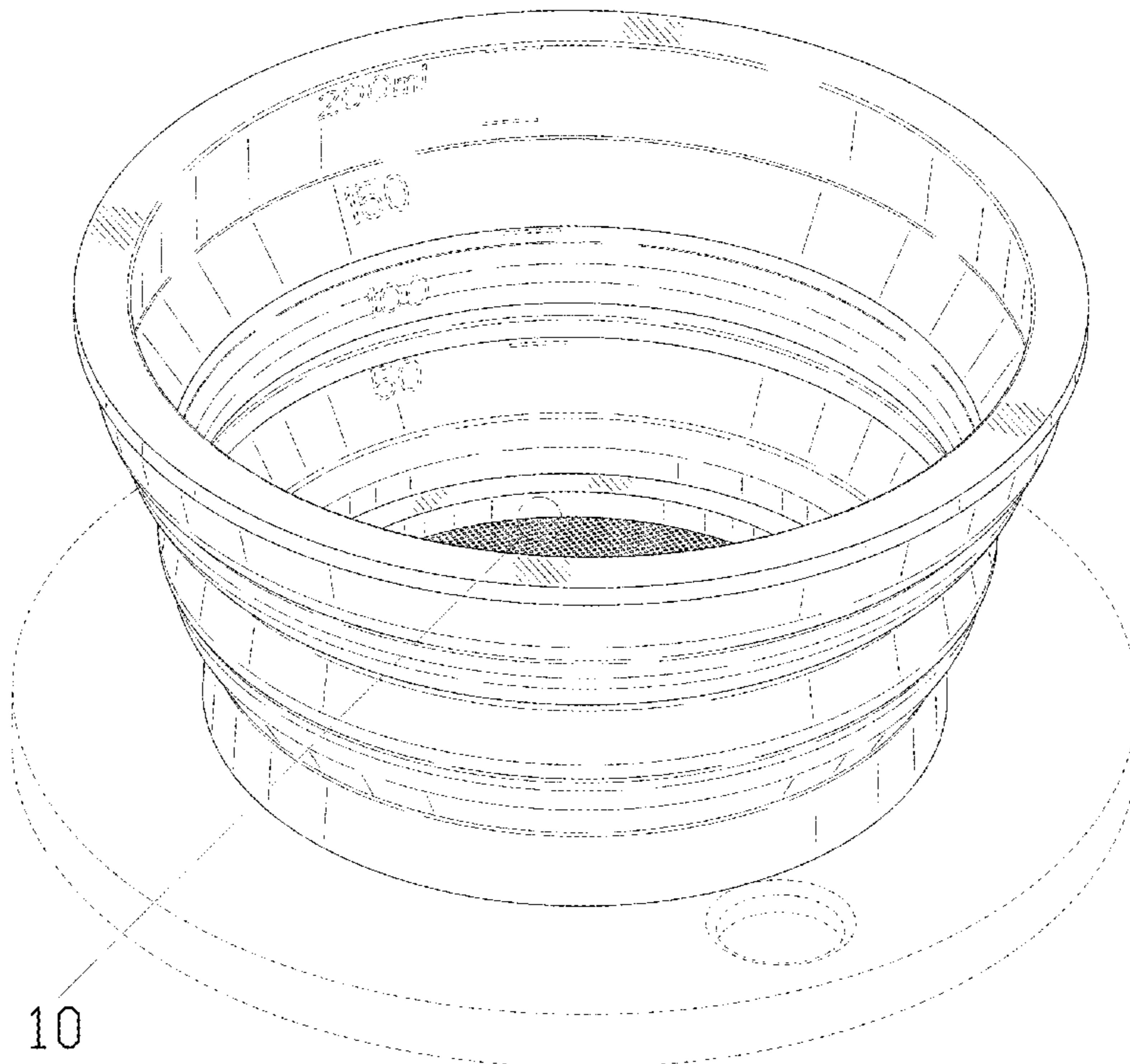
(57) **CLAIM**

The ornamental design for a coffee filter, as shown and described.

**DESCRIPTION**

FIG. 1 is a perspective view of a coffee filter showing my new design;  
FIG. 2 is another perspective view thereof;  
FIG. 3 is a front elevational view thereof;  
FIG. 4 is a rear elevational view thereof;  
FIG. 5 is a left side elevational view thereof;  
FIG. 6 is a right side elevational view thereof;  
FIG. 7 is a top plan view thereof;  
FIG. 8 is a bottom plan view thereof;  
FIG. 9 is a perspective view of the coffee filter where the coffee filter is in a folded state;  
FIG. 10 is an enlarged view of portion 10 shown in FIG. 1; and,  
FIG. 11 is an enlarged view of portion 11 shown in FIG. 2.  
The dash-dash broken lines in the drawings depict portions of the coffee filter that form no part of the claimed design. The dot-dash broken lines represent boundaries of the enlarged portions and form no part of the claimed design.

**1 Claim, 11 Drawing Sheets**



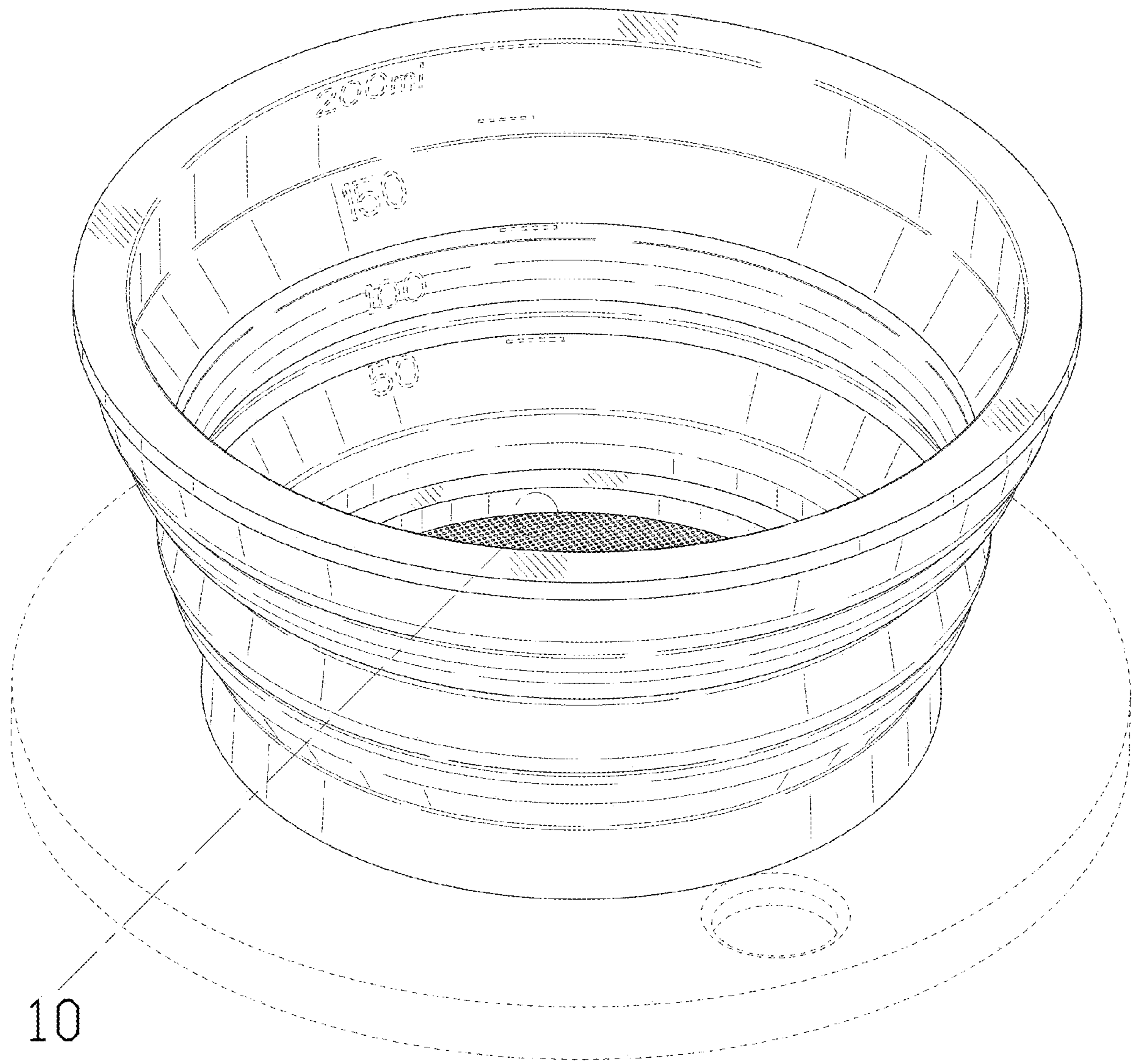


FIG. 1

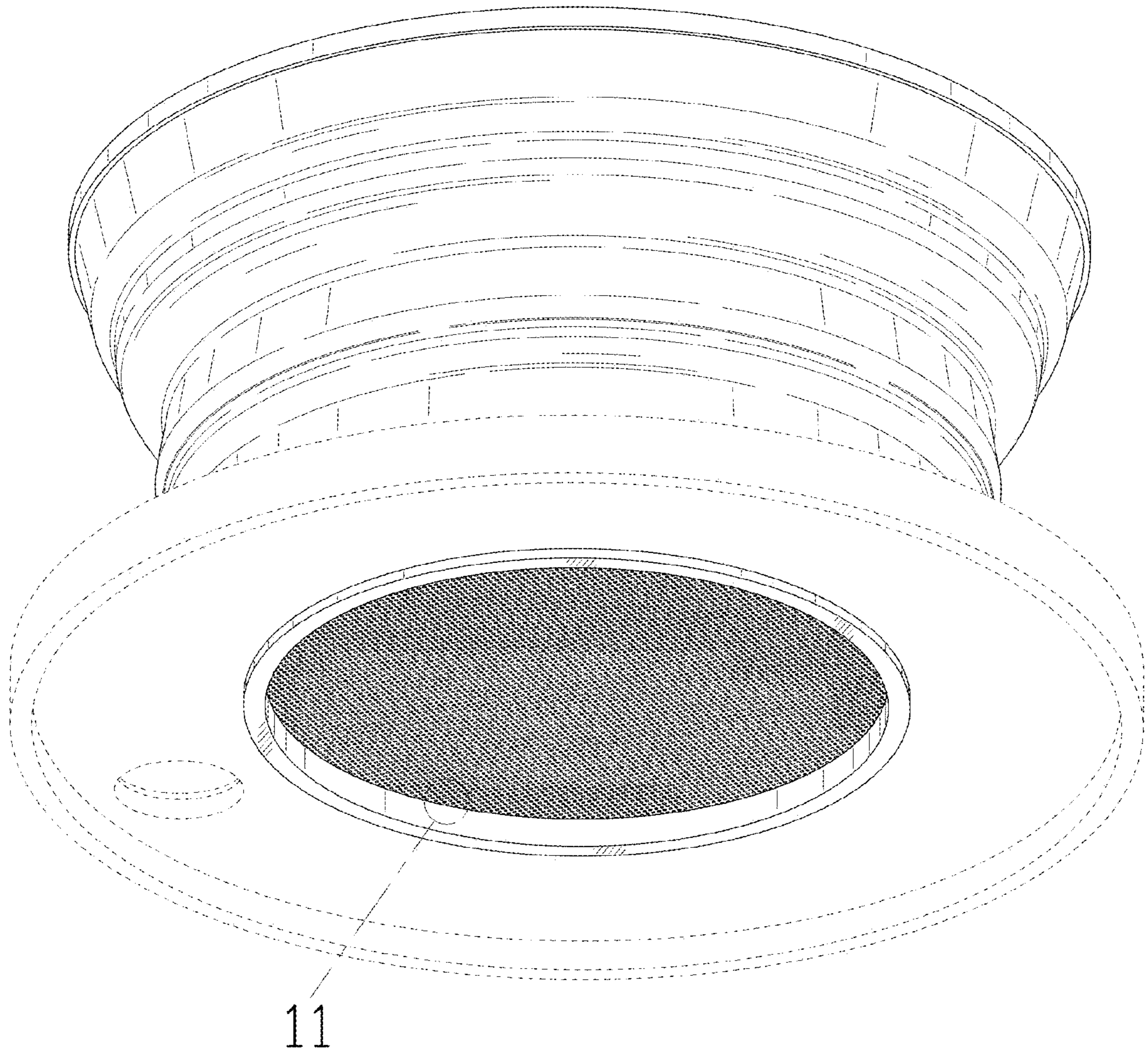


FIG. 2

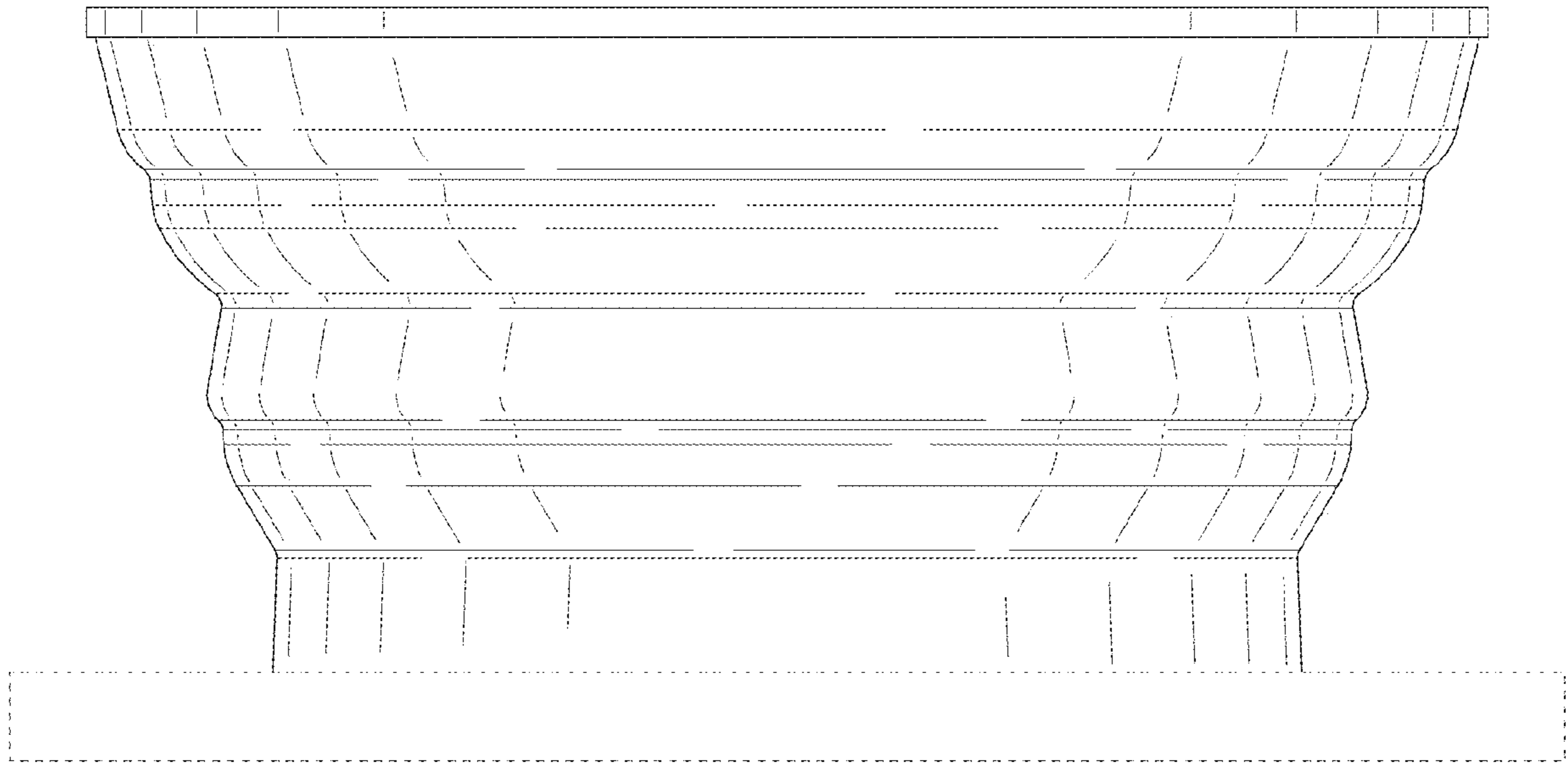


FIG. 3

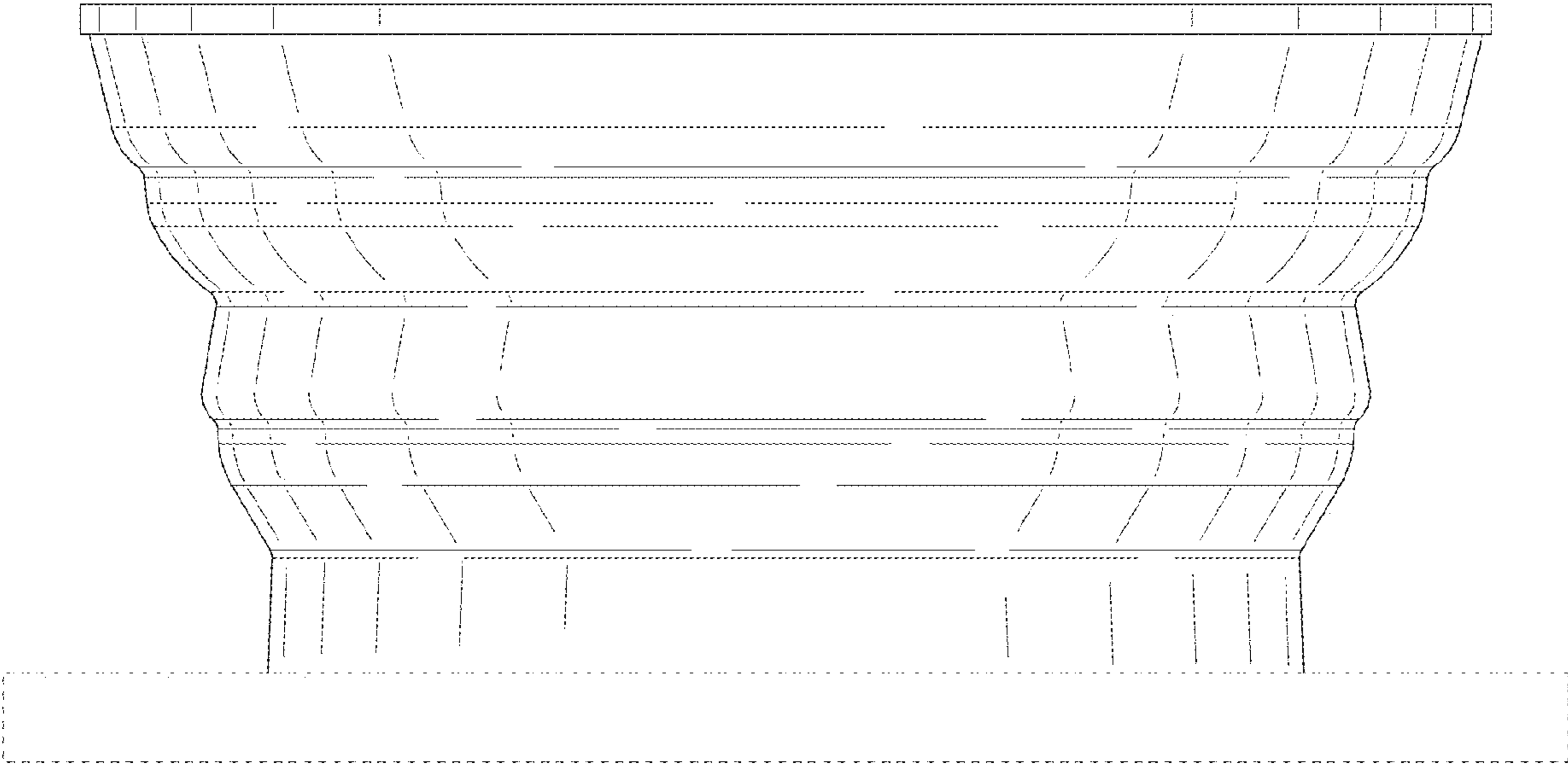


FIG. 4

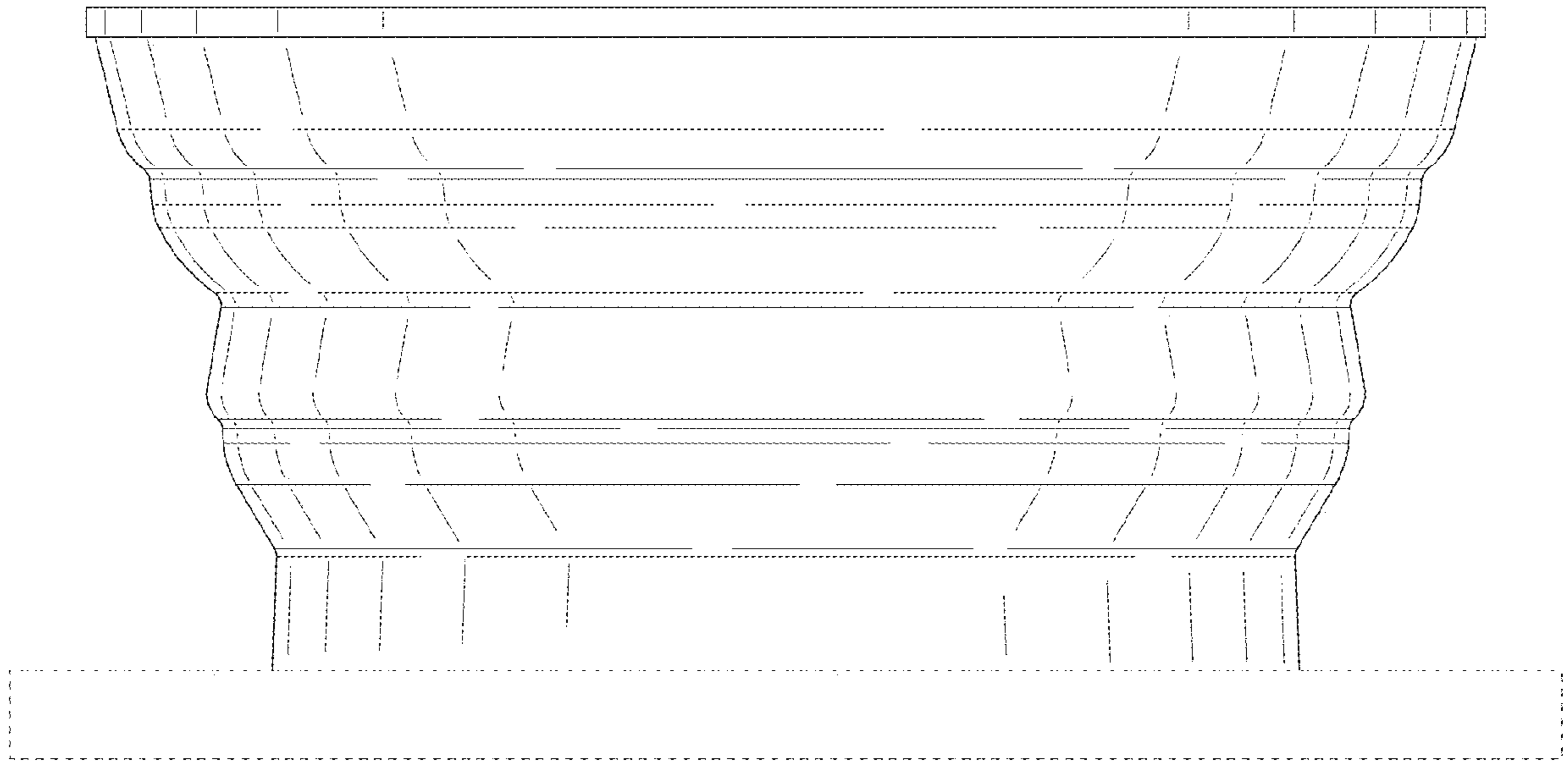


FIG. 5

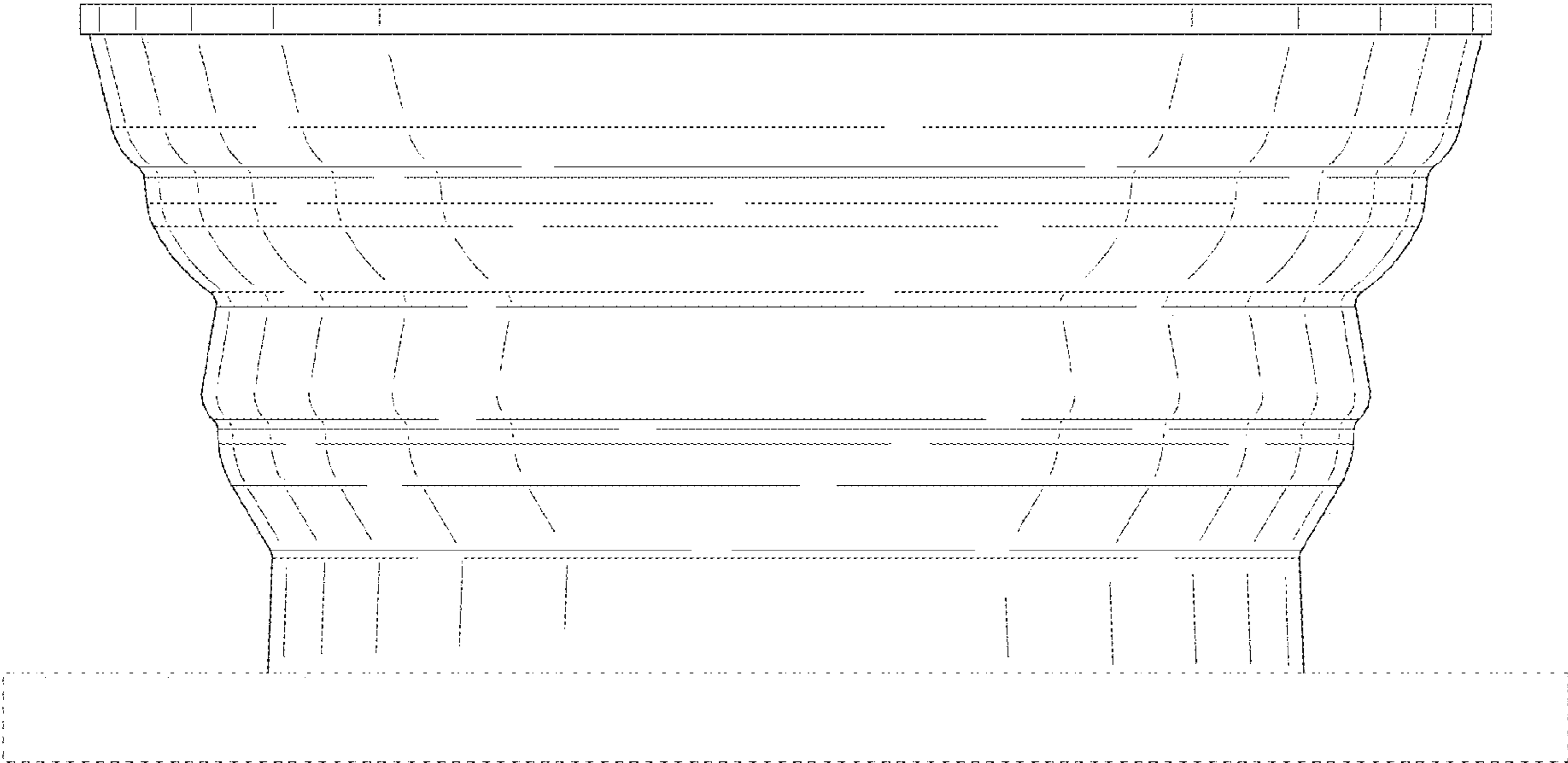


FIG. 6

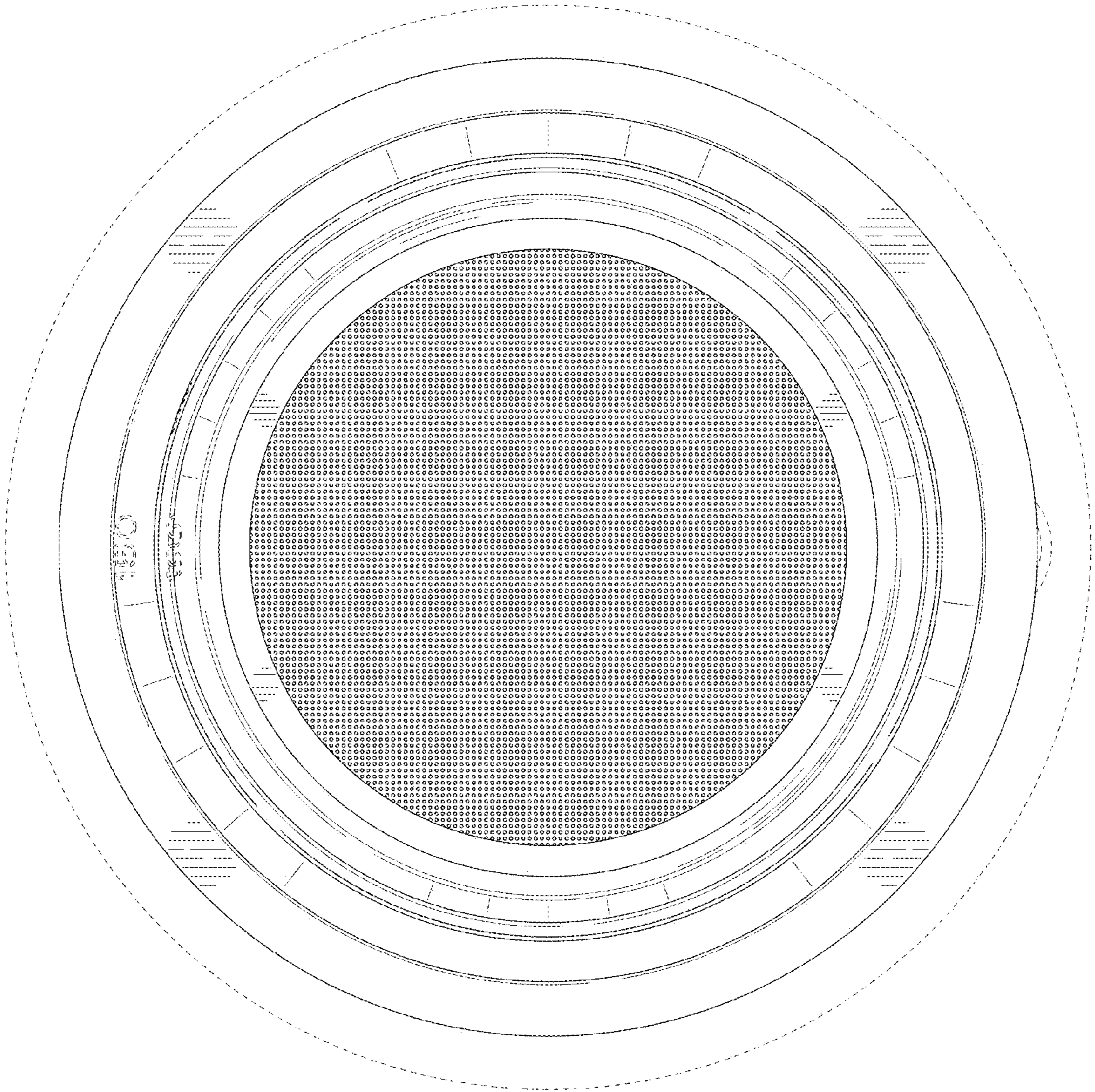


FIG. 7



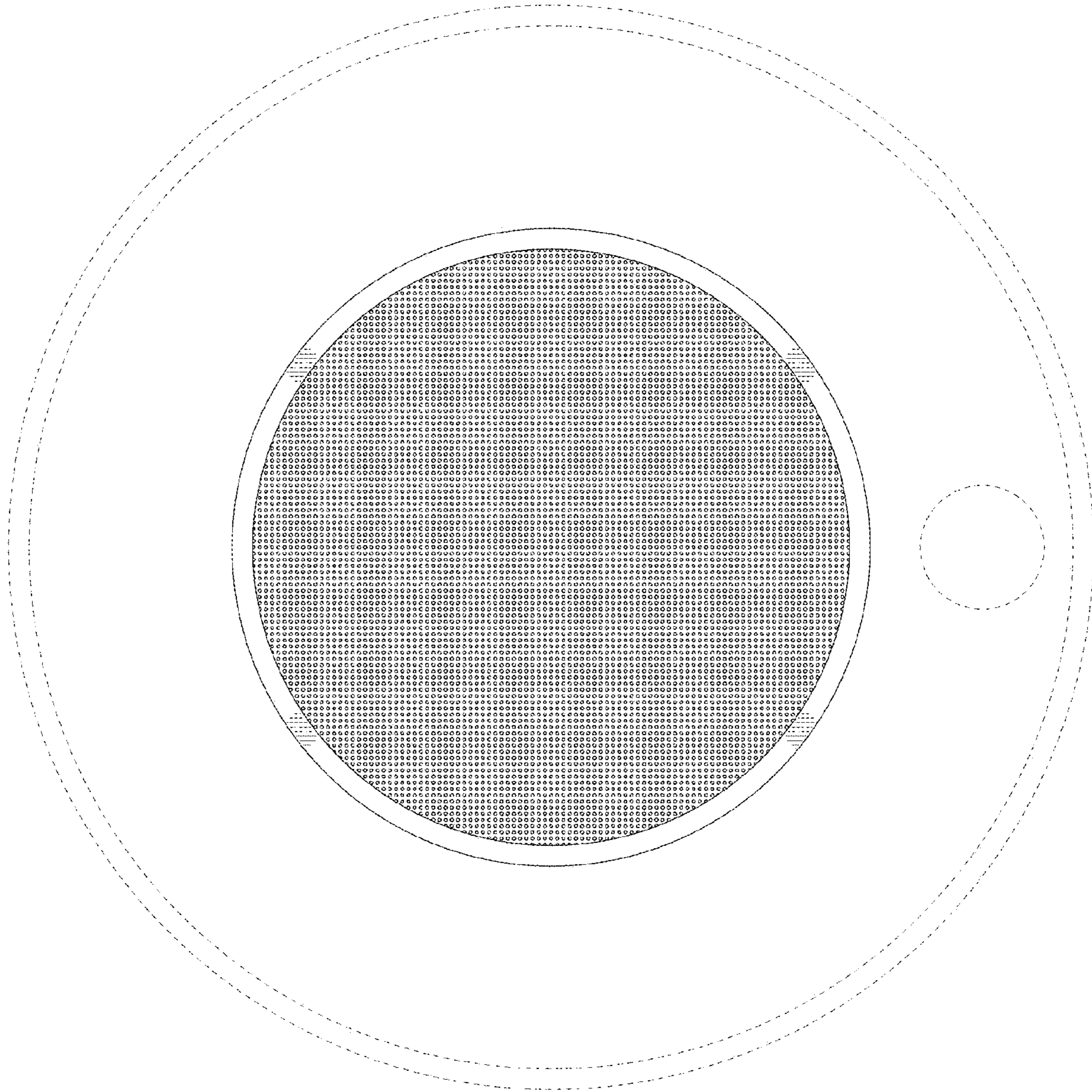


FIG. 8

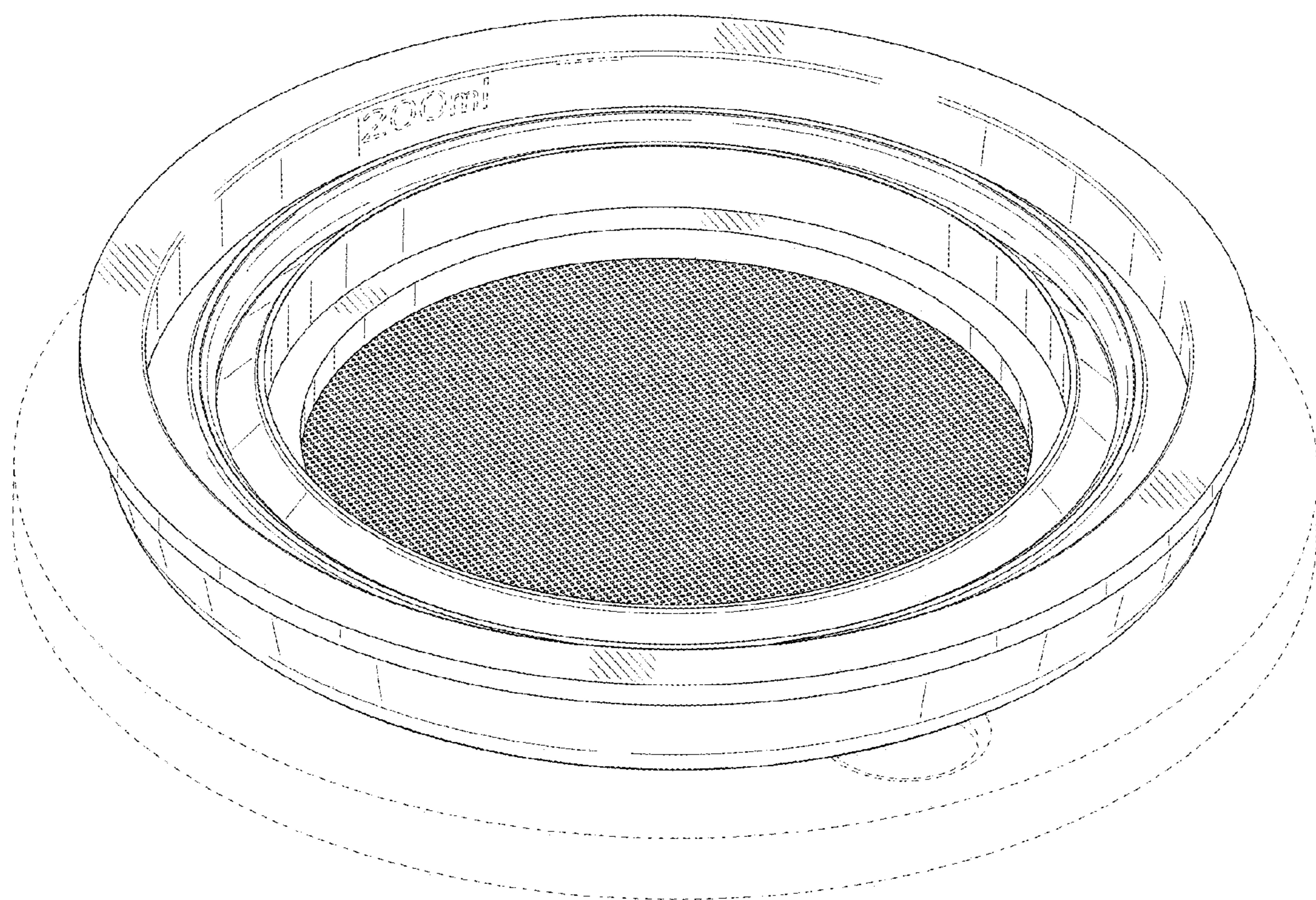


FIG. 9

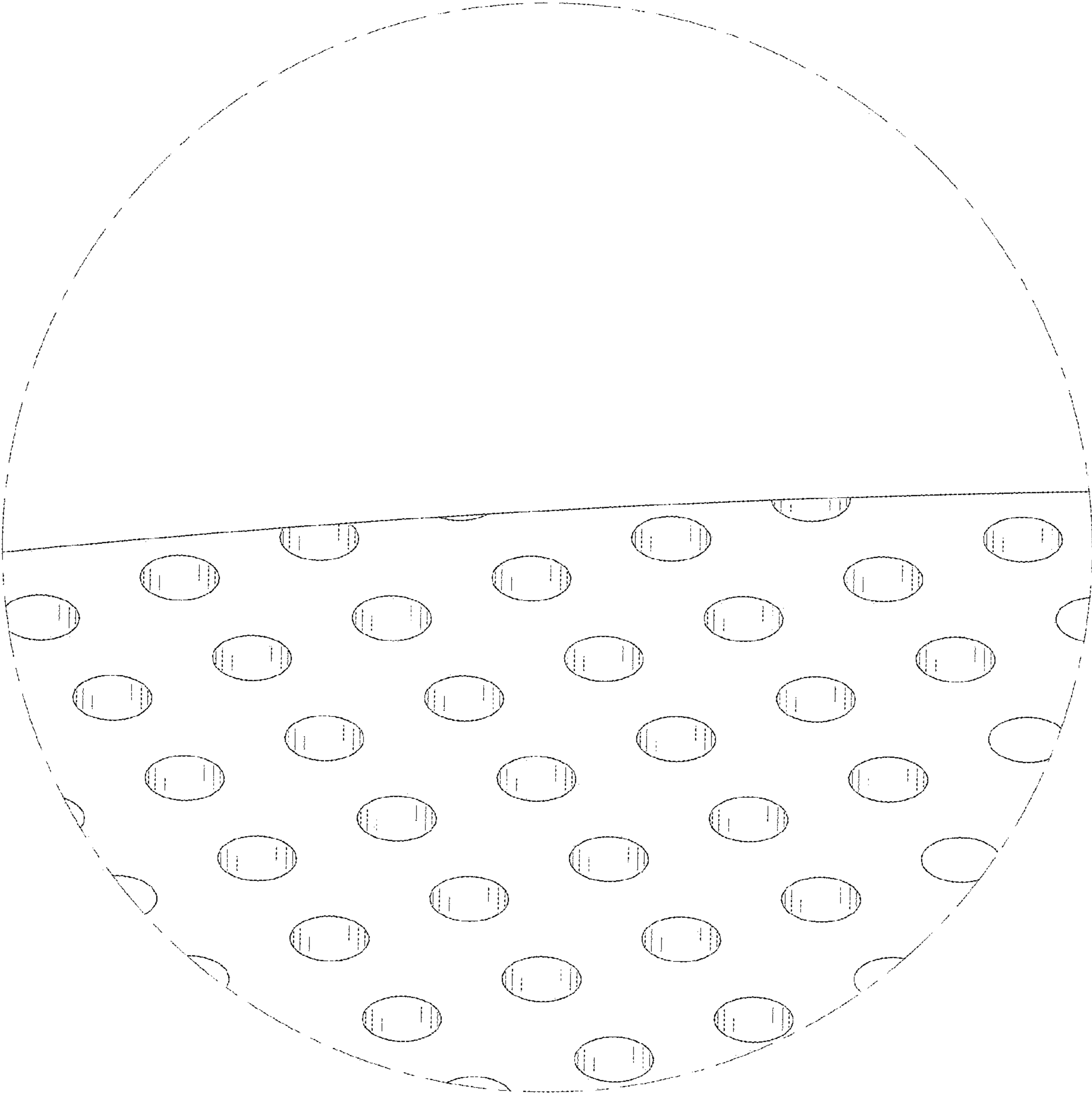


FIG. 10

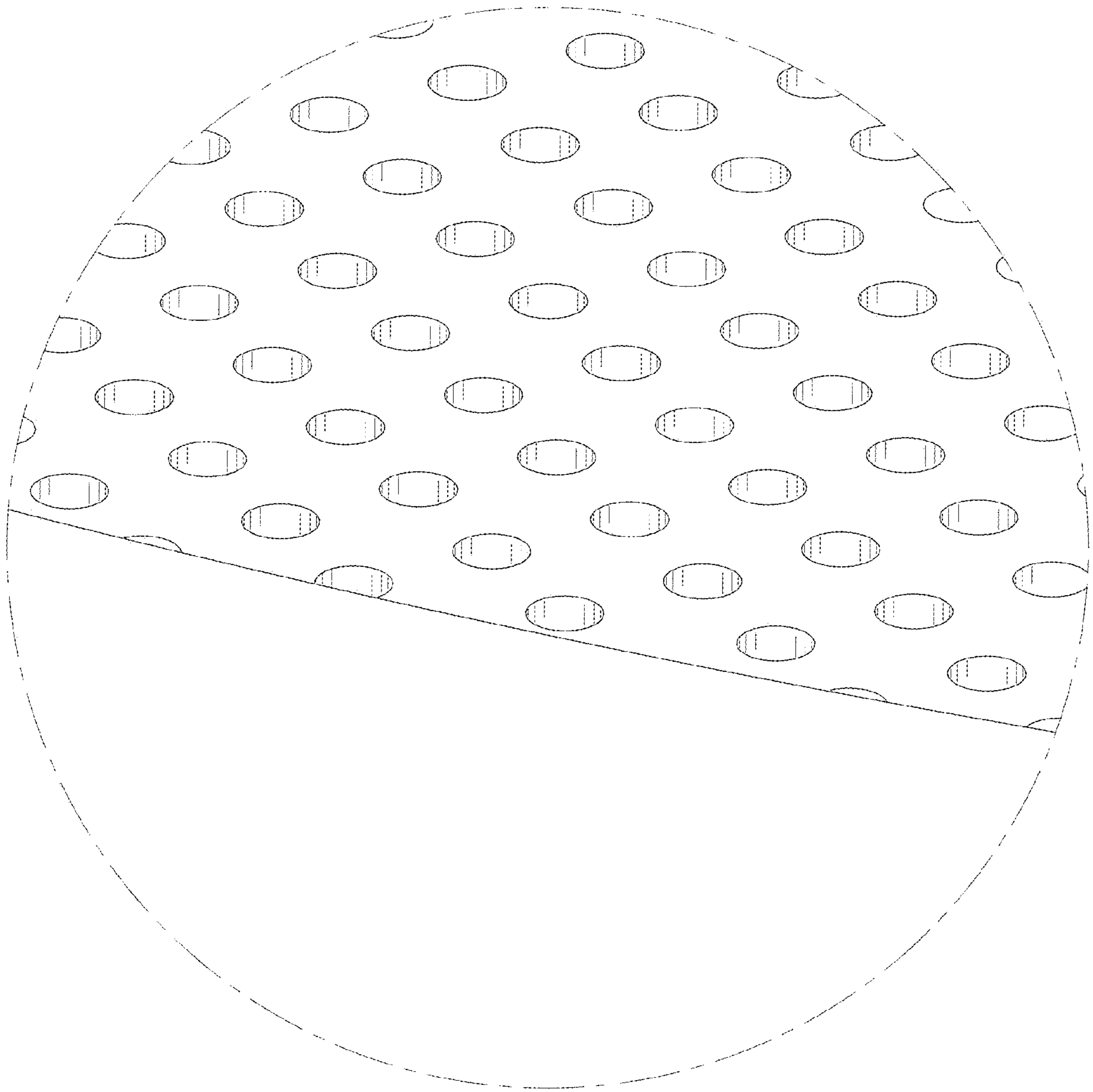


FIG. 11