



US00D977301S

(12) **United States Design Patent** (10) **Patent No.:** **US D977,301 S**  
**Chen** (45) **Date of Patent:** **\*\* Feb. 7, 2023**

(54) **STAND TOP**  
(71) Applicant: **Tiff's Treats Holdings, Inc.**, Austin, TX (US)  
(72) Inventor: **Leon Chen**, Austin, TX (US)  
(73) Assignee: **Tiff's Treats Holdings, Inc.**, Austin, TX (US)

500,839 A 7/1893 Anthony  
D38,140 S 7/1906 Paurowicz  
938,242 A 10/1909 Johnston  
1,047,882 A 12/1912 Beach  
D47,966 S 10/1915 Reischmann  
1,235,689 A 8/1917 Hoag  
1,360,856 A 11/1920 Zander  
1,395,419 A 11/1921 Hutchins

(Continued)

(\*\*) Term: **15 Years**  
(21) Appl. No.: **29/694,367**  
(22) Filed: **Jun. 10, 2019**

FOREIGN PATENT DOCUMENTS

CA 160563 9/2015  
GB 2104817 10/2001

OTHER PUBLICATIONS

Coffee Table posted at Amazon.com, posted on Mar. 12, 2015, © 1996-2022 Amazon.com, [online], [site visited Mar. 3, 2022]. Available from Internet, <URL: <https://www.amazon.com/Furniture-America-IDF-4825BK-C-Contemporary-Coffee/dp/B00ULHPEV2/>> (Year: 2015).\*

(Continued)

*Primary Examiner* — Andrew Kerr  
(74) *Attorney, Agent, or Firm* — Norton Rose Fulbright US LLP

**Related U.S. Application Data**

(63) Continuation of application No. 29/606,643, filed on Jun. 6, 2017, now Pat. No. Des. 850,859.  
(51) **LOC (14) Cl.** ..... **07-99**  
(52) **U.S. Cl.**  
USPC ..... **D7/396.1**  
(58) **Field of Classification Search**  
USPC ..... D7/550.1, 553.6, 554.2, 554.4, 558, 213, D7/396.1; D6/300, 309, 656, 685, 687, D6/688.27, 692, 692.2, 692.3, 692.5, 698, D6/699, 699.1, 702, 704, 707, 707.2, 708, D6/708.17, 708.2; D24/227; D9/434, D9/455; D26/22; D11/181, 182  
CPC . A47B 21/00; A47B 2021/0307; A47B 23/00; A47B 31/00; A47J 47/00; A47J 47/005; A47J 47/16; A47G 19/00; A47G 19/02; A47G 23/06  
See application file for complete search history.

(57) **CLAIM**

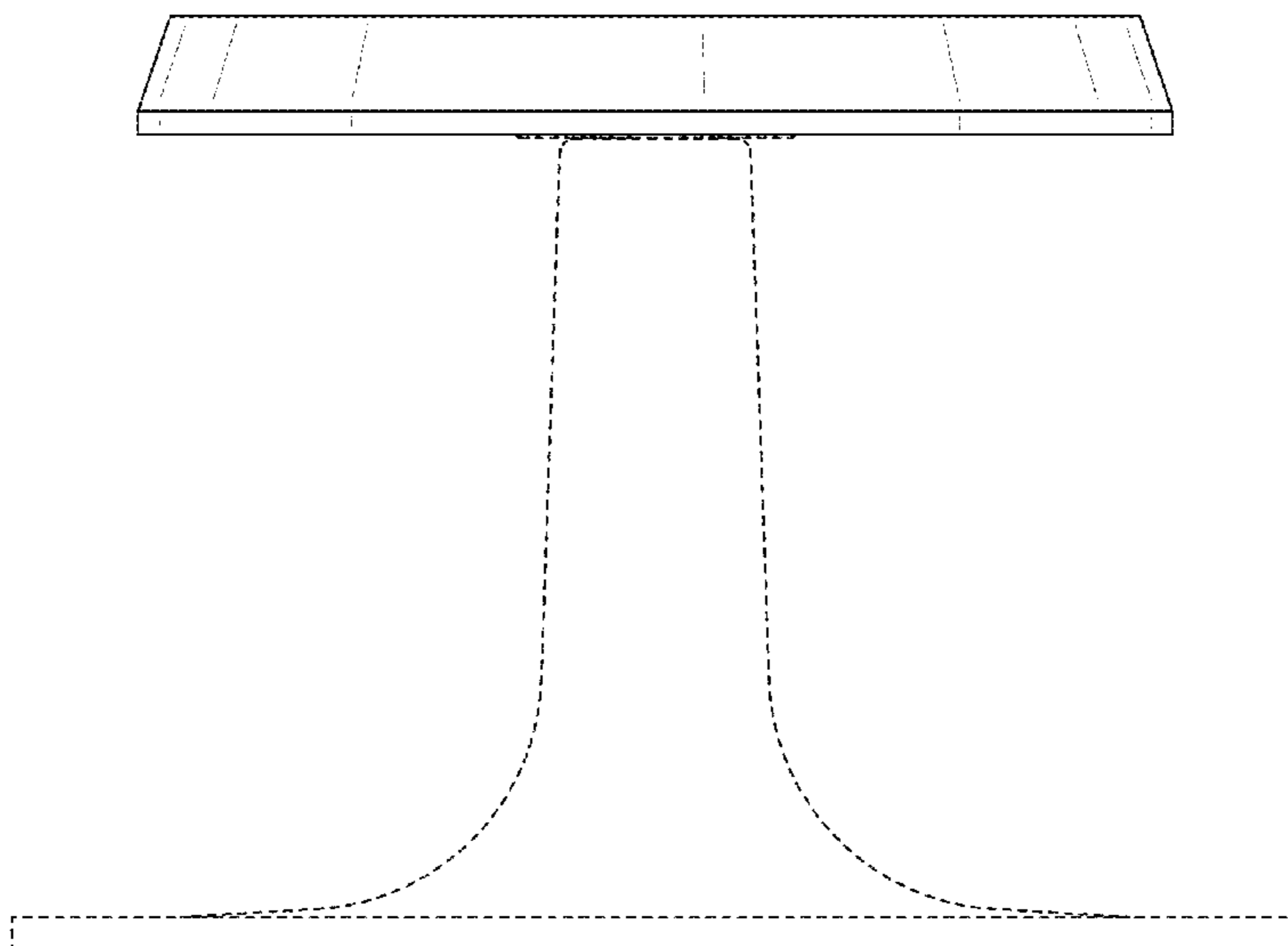
The ornamental design for a stand top, as shown and described.

**DESCRIPTION**

FIG. 1 is a front view of a stand top showing my new design, the back view being identical;  
FIG. 2 is a right side view thereof, the left side view being identical; and,  
FIG. 3 is a top view thereof.  
The broken lines showing portions in the figures are for the purpose of illustrating environmental structure only and form no part of the claimed design.

(56) **References Cited**  
U.S. PATENT DOCUMENTS  
115,456 A 5/1871 Fisher  
135,696 A 2/1873 Dakin  
197,931 A 12/1877 Haight  
315,310 A 4/1885 Matthews

**1 Claim, 3 Drawing Sheets**



(56)

References Cited

U.S. PATENT DOCUMENTS

1,401,057 A 12/1921 Elliott  
 1,415,782 A 5/1922 Brace  
 1,484,887 A 2/1924 Hyatt  
 1,570,651 A 1/1926 Topping et al.  
 1,782,257 A 11/1930 Dumler  
 D86,535 S 3/1932 Novick  
 1,955,919 A 4/1934 Kress  
 D159,360 S 7/1950 Noble  
 2,560,659 A 7/1951 Payeur  
 2,689,050 A 9/1954 Albin  
 2,895,636 A 7/1959 Martin  
 2,902,174 A 9/1959 Audsley  
 D194,325 S 1/1963 Swett  
 D197,981 S 4/1964 Miller  
 D199,162 S 9/1964 Russo  
 3,146,906 A 9/1964 Swett  
 D199,507 S 11/1964 Linko  
 D200,117 S 1/1965 Kolarik  
 3,169,496 A 2/1965 Muggli et al.  
 3,373,909 A 3/1968 Belcher  
 D212,843 S 12/1968 Hart et al.  
 D219,490 S 12/1970 Plessinger  
 D222,082 S 9/1971 Kleinert  
 D225,283 S 11/1972 Axelrod  
 3,715,996 A 2/1973 Rolfshus  
 D229,589 S 12/1973 Gregorutti  
 3,955,710 A 5/1976 Commisso  
 D240,343 S \* 6/1976 Moore ..... D6/692.3  
 D246,022 S 10/1977 Mathur  
 D251,827 S 5/1979 Commisso  
 D271,945 S 12/1983 Ochs  
 D272,212 S 1/1984 Daenen et al.  
 D272,215 S 1/1984 Daenen et al.  
 D283,856 S 5/1986 Elmaleh  
 D296,738 S 7/1988 Hubert  
 D308,611 S 6/1990 Hubert  
 D337,920 S 8/1993 Rowe  
 D342,843 S 1/1994 Kuntz  
 D347,381 S 5/1994 Carruthers  
 D347,382 S 5/1994 Carruthers  
 D347,383 S 5/1994 Carruthers  
 D347,786 S 6/1994 Carruthers  
 D354,862 S 1/1995 Goldberg  
 D367,979 S 3/1996 Lewis  
 5,894,944 A 4/1999 Swift  
 D433,597 S 11/2000 Fradkin  
 D436,270 S 1/2001 Kane  
 D438,175 S 2/2001 Stark et al.  
 D441,258 S 5/2001 Spiegelman  
 D448,964 S 10/2001 Allan  
 D451,338 S 12/2001 Fradkin  
 D469,016 S 1/2003 Gambino  
 6,711,989 B1 3/2004 Sarnoff  
 D496,181 S 9/2004 Maness  
 D556,516 S 12/2007 Dien  
 D560,974 S 2/2008 Goode et al.  
 D577,962 S 10/2008 Bauer et al.  
 D609,951 S 2/2010 Walker  
 D613,096 S 4/2010 Stoecker  
 D618,500 S 6/2010 Hardaway  
 D623,506 S 9/2010 Ghatikar et al.

D623,696 S 9/2010 Zemel  
 D625,039 S \* 10/2010 Citterio ..... D26/110  
 D636,637 S 4/2011 Lupkes et al.  
 D647,713 S 11/2011 Unterrainer et al.  
 D648,960 S 11/2011 Starck et al.  
 D664,010 S 7/2012 Goode et al.  
 D668,464 S 10/2012 Du  
 8,276,524 B2 10/2012 Goode et al.  
 D671,368 S 11/2012 Stewart et al.  
 D683,975 S 6/2013 Starck et al.  
 8,550,014 B1 10/2013 Mariani  
 D707,493 S 6/2014 Frei  
 D717,651 S 11/2014 Marina et al.  
 D720,143 S 12/2014 Barber et al.  
 D741,536 S \* 10/2015 Ellis ..... D26/110  
 D763,464 S 8/2016 Li et al.  
 D769,036 S 10/2016 Manea  
 D769,120 S 10/2016 Albuquerque et al.  
 D772,601 S 11/2016 Christie et al.  
 D779,706 S 2/2017 Starck  
 D788,584 S \* 6/2017 Chen ..... D9/456  
 D790,108 S \* 6/2017 Starck ..... D26/110  
 D790,109 S \* 6/2017 Starck ..... D26/110  
 D801,714 S 11/2017 Elmaleh  
 D801,979 S 11/2017 Seo et al.  
 D805,677 S \* 12/2017 Starck ..... D26/110  
 D850,859 S 6/2019 Chen  
 D857,280 S 8/2019 Starck  
 D915,886 S \* 4/2021 Chen ..... D9/434  
 D925,989 S \* 7/2021 Lin ..... D7/600.2  
 D936,421 S \* 11/2021 Li ..... D7/501  
 2008/0230541 A1 9/2008 Bayss et al.  
 2008/0276514 A1 11/2008 Lee

OTHER PUBLICATIONS

Beveled Base | posted at artdisplay.com, posted on Mar. 12, 2015, [online], [site visited Mar. 3, 2022]. Available from Internet, <URL: <https://www.artdisplay.com/beveled-bases-oval.html>> (Year: 2022).  
 Notice of Allowance issued in related U.S. Appl. No. 29/606,513, dated Dec. 17, 2020.  
 Office Action issued in related U.S. Appl. No. 29/606,513, dated Mar. 18, 2020.  
 Response to Office Action filed in related U.S. Appl. No. 29/606,513, dated Sep. 3, 2020.  
 Tiffs Treats photos on Facebook page (online) posted on Sep. 18, 2018. Retrieved from Internet on Mar. 5, 2020, URL: <https://www.facebook.com/tiffstreats/posts/we-have-done-it-we-have-taken-our-legendary-warm-cookie-delivery-in-our-tiffs-tr/1055898006702684/> (3 pages).  
 Printout showing pedestal tables, retrieved from archive.org with an apparent capture date of Feb. 17, 2014—<https://web.archive.org/web/20140217160941/http://www.knoll.com/designer/Eero-Saarinen>.  
 EdgeMod Daisy Oval Table | posted at modishstore.com, no posting date available [online], [site visited Sep. 28, 2018]. Available from Internet, <URL: <https://www.modishstore.com/products/edgemod-daisy-60-oval-wood-top-dining-table>> (Year: 2018).  
 BIA cake stand | posted at amazon.com, date available, Jul. 28, 2010 [online], [site visited Sep. 28, 2018]. Available from Internet, <URL: <https://www.amazon.com/BIA-Codron-Bleu-Porcelain-902033/product-reviews/B003XRNZ4A/>> (Year: 2010).

\* cited by examiner

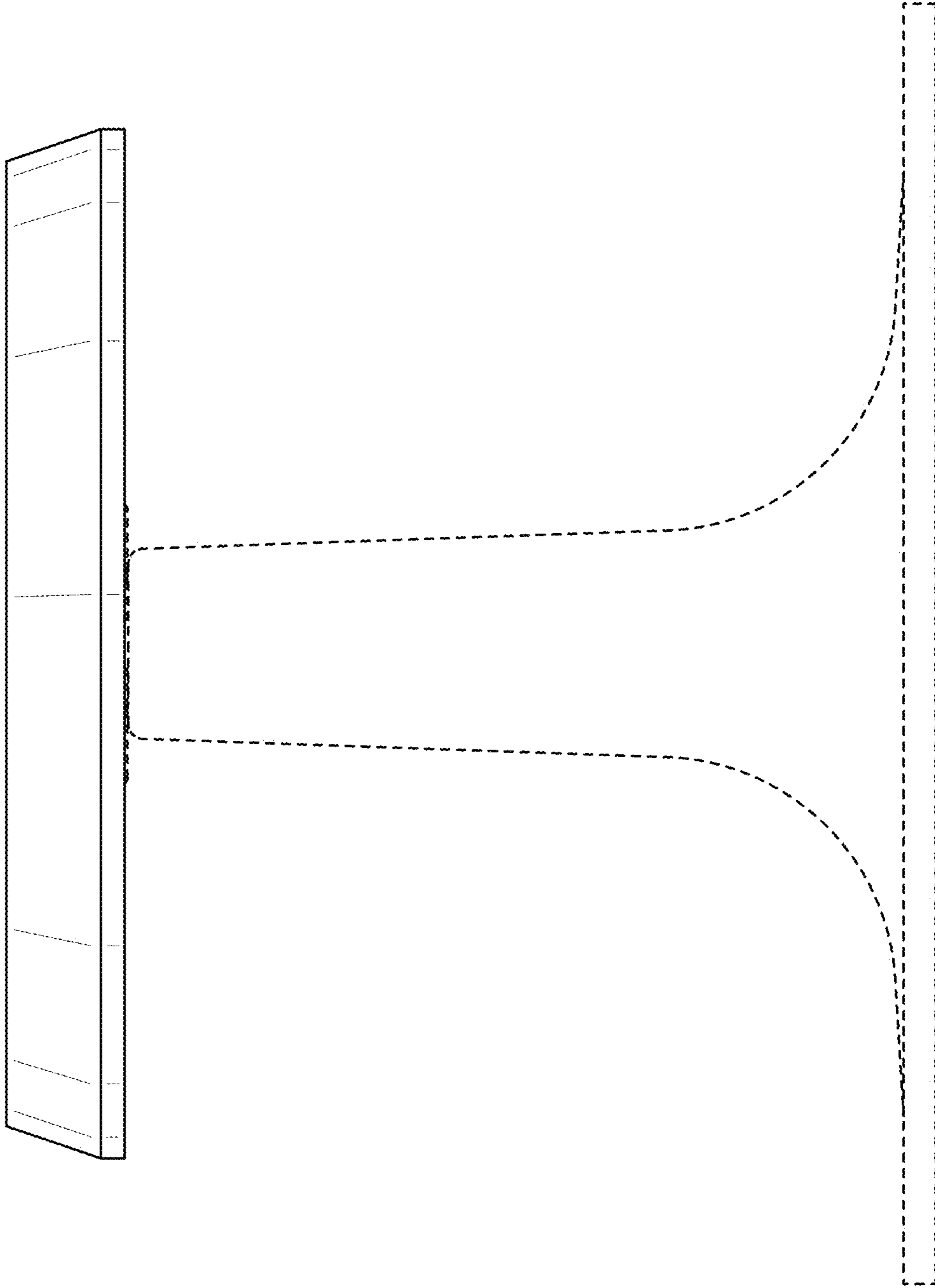


FIG. 1

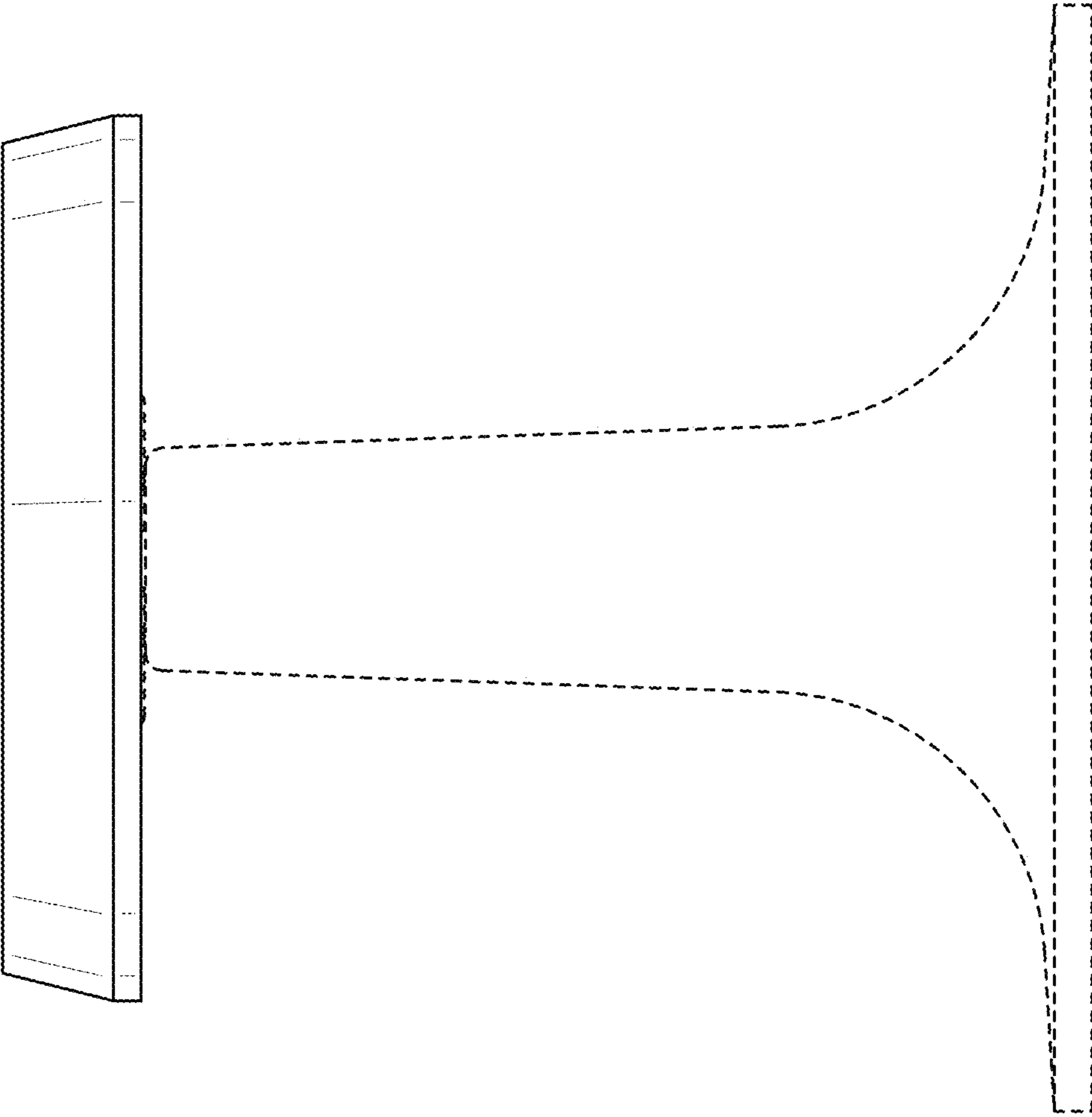


FIG. 2

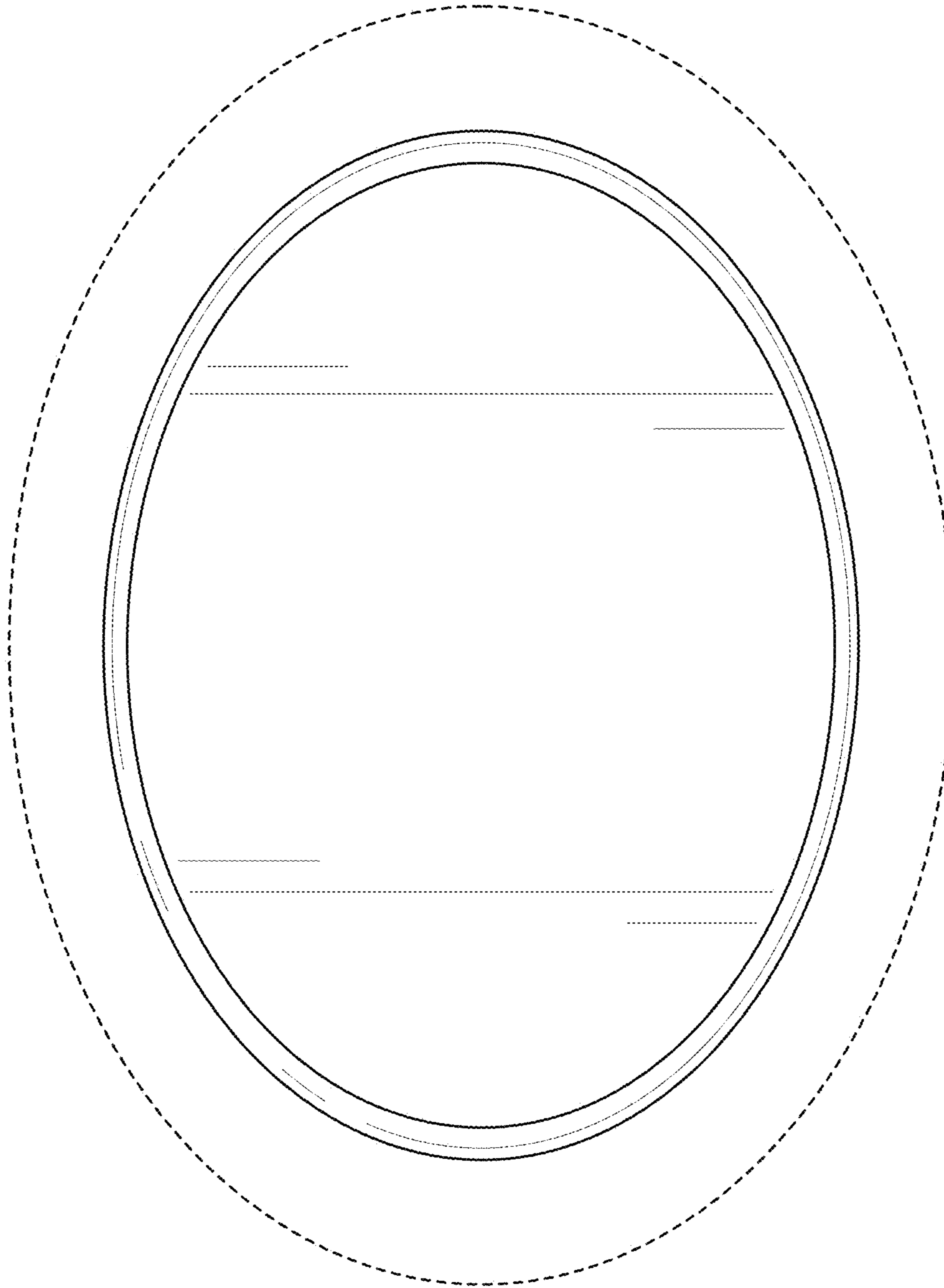


FIG. 3