



US00D977300S

(12) **United States Design Patent**
Shi

(10) **Patent No.:** **US D977,300 S**

(45) **Date of Patent:** **** Feb. 7, 2023**

(54) **LID**

(71) Applicant: **TAIZHOU GUANGHANG
E-COMMERCE CO., LTD.**, Taizhou
(CN)

(72) Inventor: **Wenhui Shi**, Taizhou (CN)

(73) Assignee: **TAIZHOU GUANGHANG
E-COMMERCE CO., LTD.**, Taizhou
(CN)

(**) Term: **15 Years**

(21) Appl. No.: **29/802,239**

(22) Filed: **Aug. 4, 2021**

(30) **Foreign Application Priority Data**

Jul. 15, 2021 (CN) 202130449004.9

(51) **LOC (14) Cl.** **07-01**

(52) **U.S. Cl.**
USPC **D7/392.1**

(58) **Field of Classification Search**
USPC D7/392, 392.1, 396.1, 396.2, 397, 509,
D7/510, 533, 619.1, 622; D9/435, 443,
D9/447, 449, 516
CPC B65D 43/0225; B65D 47/122
See application file for complete search history.

(56) **References Cited**

U.S. PATENT DOCUMENTS

8,550,269 B2 * 10/2013 Lane B65D 47/066
215/229
D758,790 S * 6/2016 Boroski D7/392.1
D818,767 S * 5/2018 Nezu D7/392.1
D839,730 S 2/2019 Wang
D850,259 S 6/2019 Wiggins

D896,024 S * 9/2020 Wang D9/449
D900,536 S * 11/2020 Yao D7/392.1
D941,629 S * 1/2022 Zhou D7/392.1
D951,701 S * 5/2022 Zhang D7/392.1
D955,161 S * 6/2022 Hu D7/392.1
D958,591 S * 7/2022 Hu D7/392.1
2007/0251949 A1 * 11/2007 Barre B65D 47/0871
220/890
2012/0145713 A1 * 6/2012 Jung B65D 51/242
220/254.3
2015/0282654 A1 * 10/2015 Kurabe B65D 47/0871
220/254.5
2016/0207672 A1 * 7/2016 Wong B65D 43/0225

OTHER PUBLICATIONS

“Leapfrog: ZULU Studio Water Bottle”. Found online Jun. 22, 2020 at amazon.com. Reference dated May 28, 2018. Retrieved from <https://www.amazon.com/ZULU-Bottles-Silicone-Tasteless-Odorless/dp/B07BR6KK1W/>.*

(Continued)

Primary Examiner — Kendra Leslie Hamilton

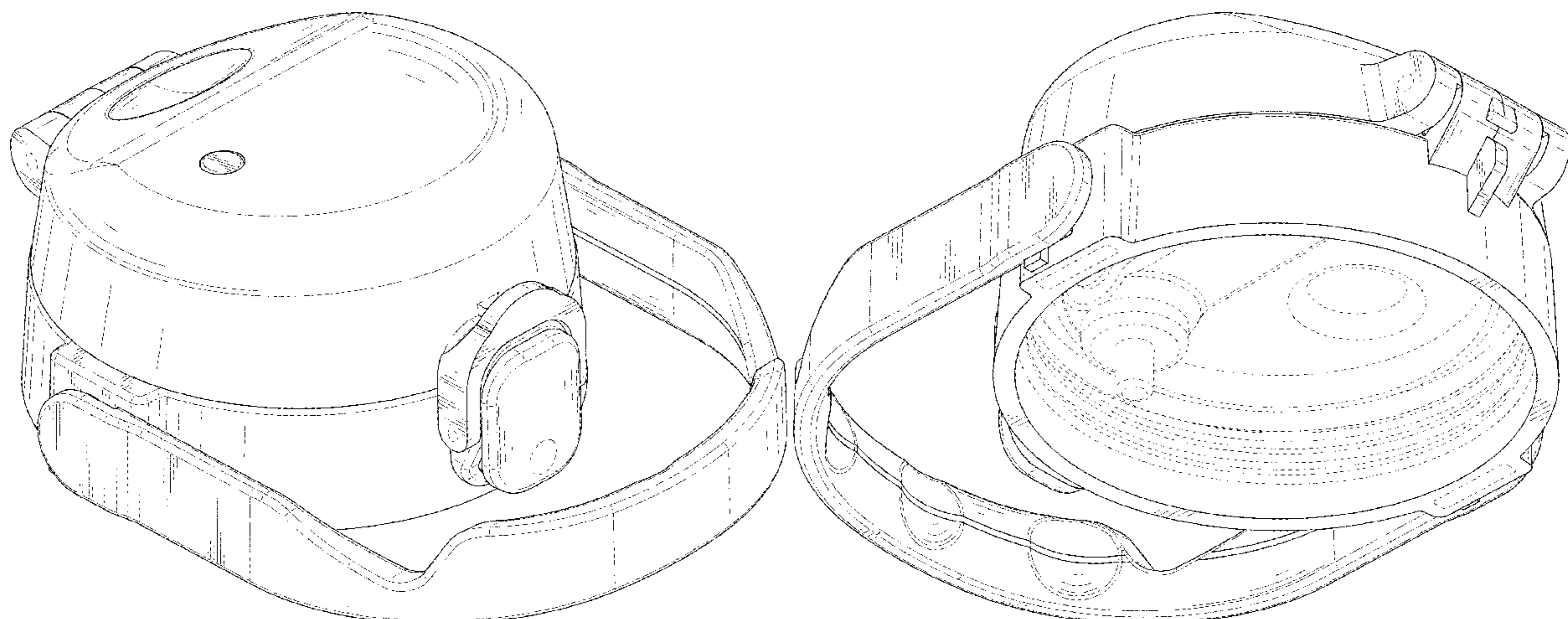
(57) **CLAIM**

The ornamental design for a lid, as shown and described.

DESCRIPTION

FIG. 1 is a perspective view of a lid showing my new design; FIG. 2 is another perspective view thereof; FIG. 3 is a front elevational view thereof; FIG. 4 is a rear elevational view thereof; FIG. 5 is a left side elevational view thereof; FIG. 6 is a right side elevational view thereof; FIG. 7 is a top plan view thereof; and, FIG. 8 is a bottom plan view thereof. The broken lines in the drawings depict portions of the lid that form no part of the claimed design.

1 Claim, 8 Drawing Sheets



(56)

References Cited

OTHER PUBLICATIONS

“Elio: Max Stainless Water Bottle”. Found online Aug. 24, 2020 at amazon.co.uk. Reference dated Jun. 1, 2017. Retrieved from <https://www.amazon.co.uk/Ello-Stainless-Steel-Bottle-Purple/dp/B0717954Q3/>.*

“Clear2Go Water Bottle with Filter”. Found online Feb. 13, 2020 at allfilters.com. Reference dated Apr. 27, 2011. Retrieved from <https://www.allfilters.com/filteredwaterbottles/purifiers/clear2go-bottle>.*

“DYLN: Lid with Flexible Handle and Silicone Straw”. Found online Apr. 16, 2021 at amazon.com. Reference dated Oct. 10, 2020. Retrieved from https://www.amazon.com/dp/B08L1G81PT/ref=sspa_dk_detail_6?.*

* cited by examiner

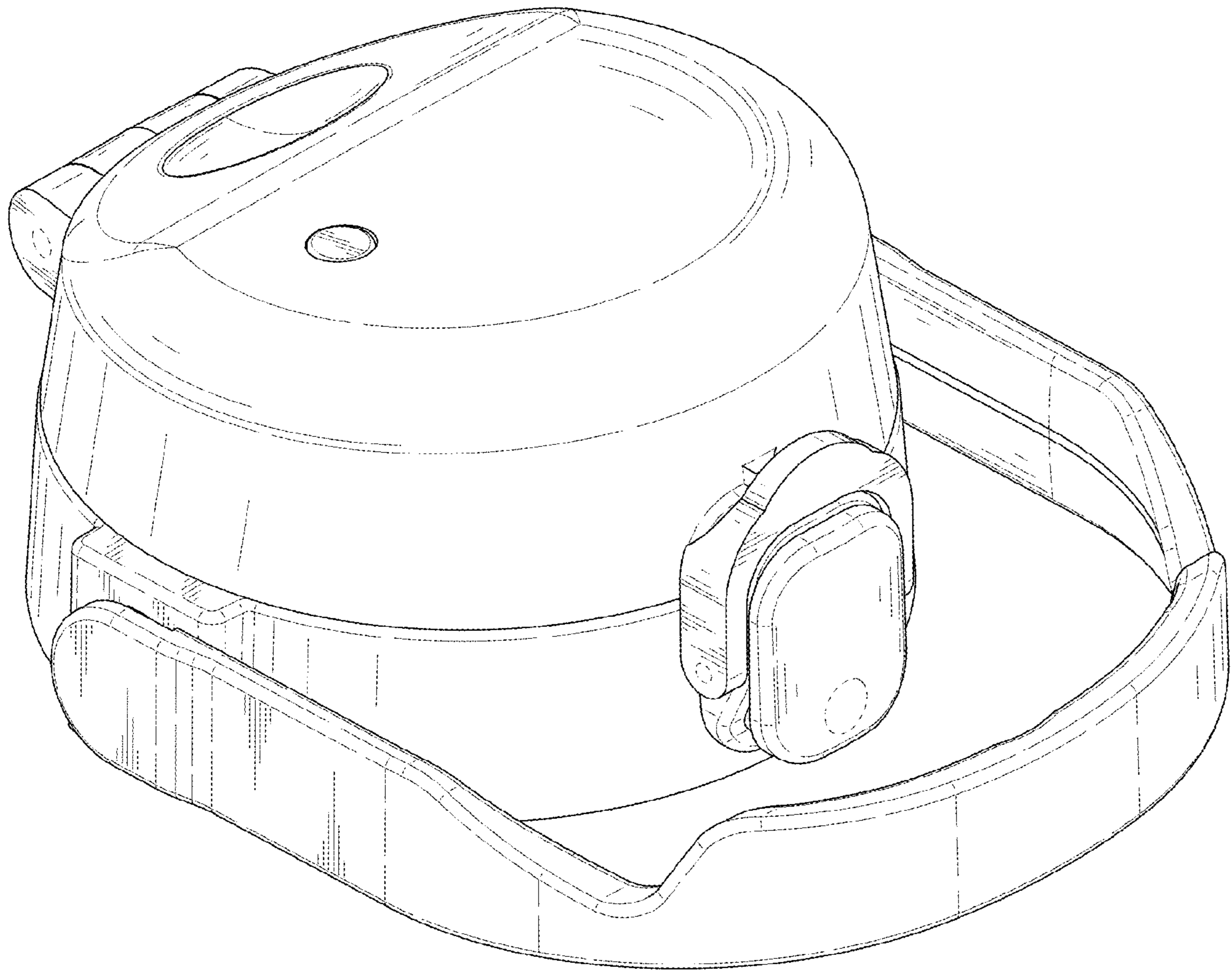


FIG. 1

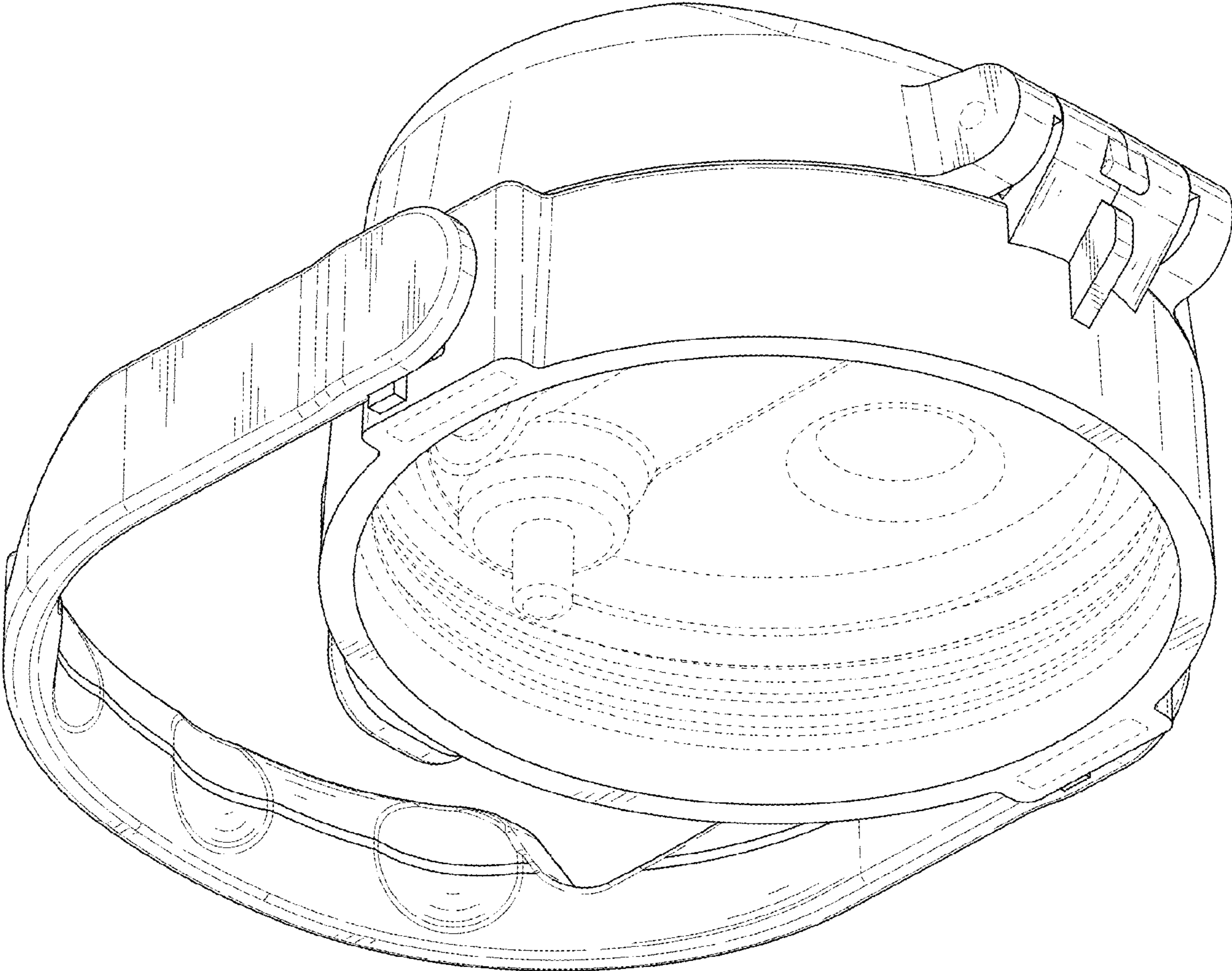


FIG. 2

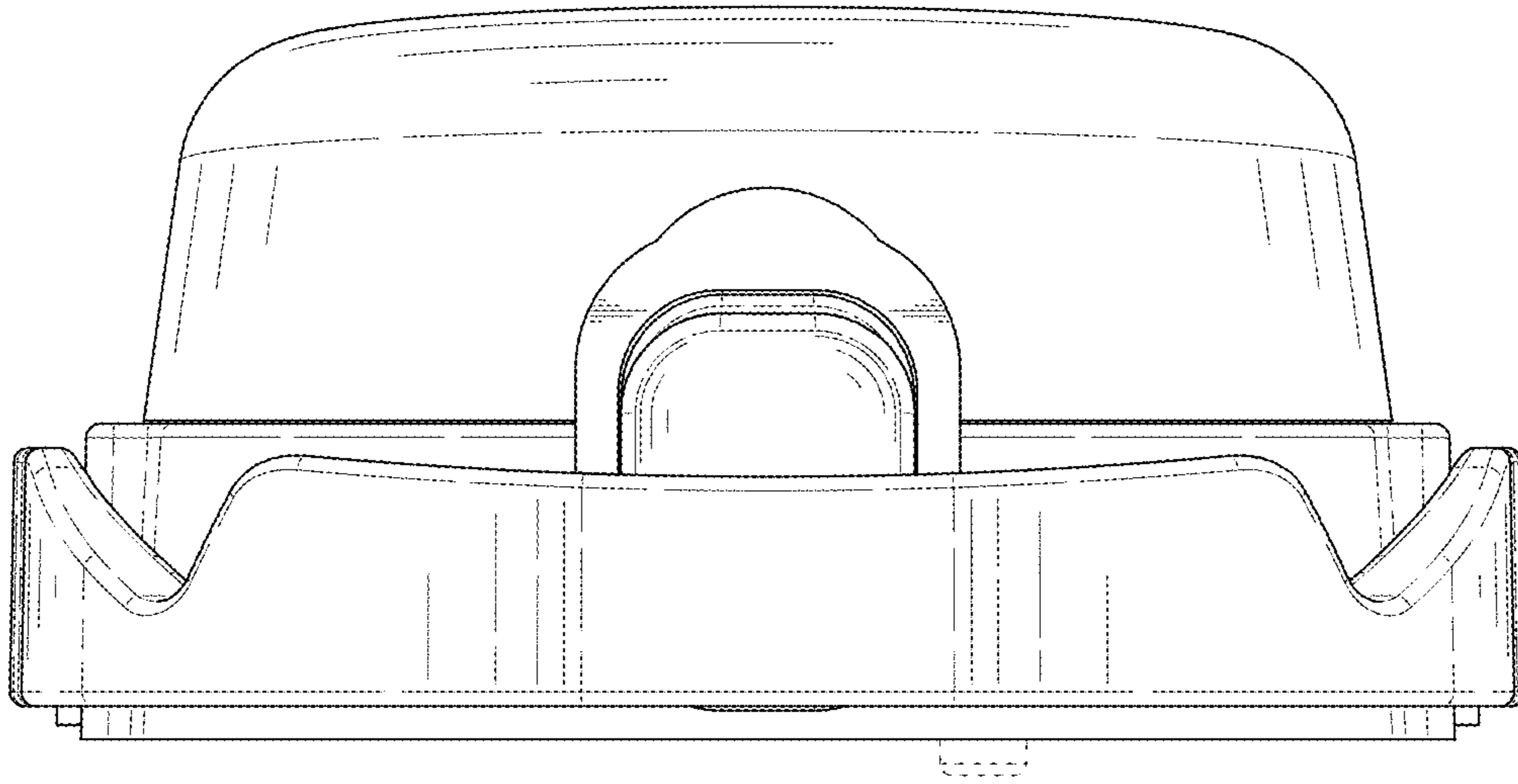


FIG. 3

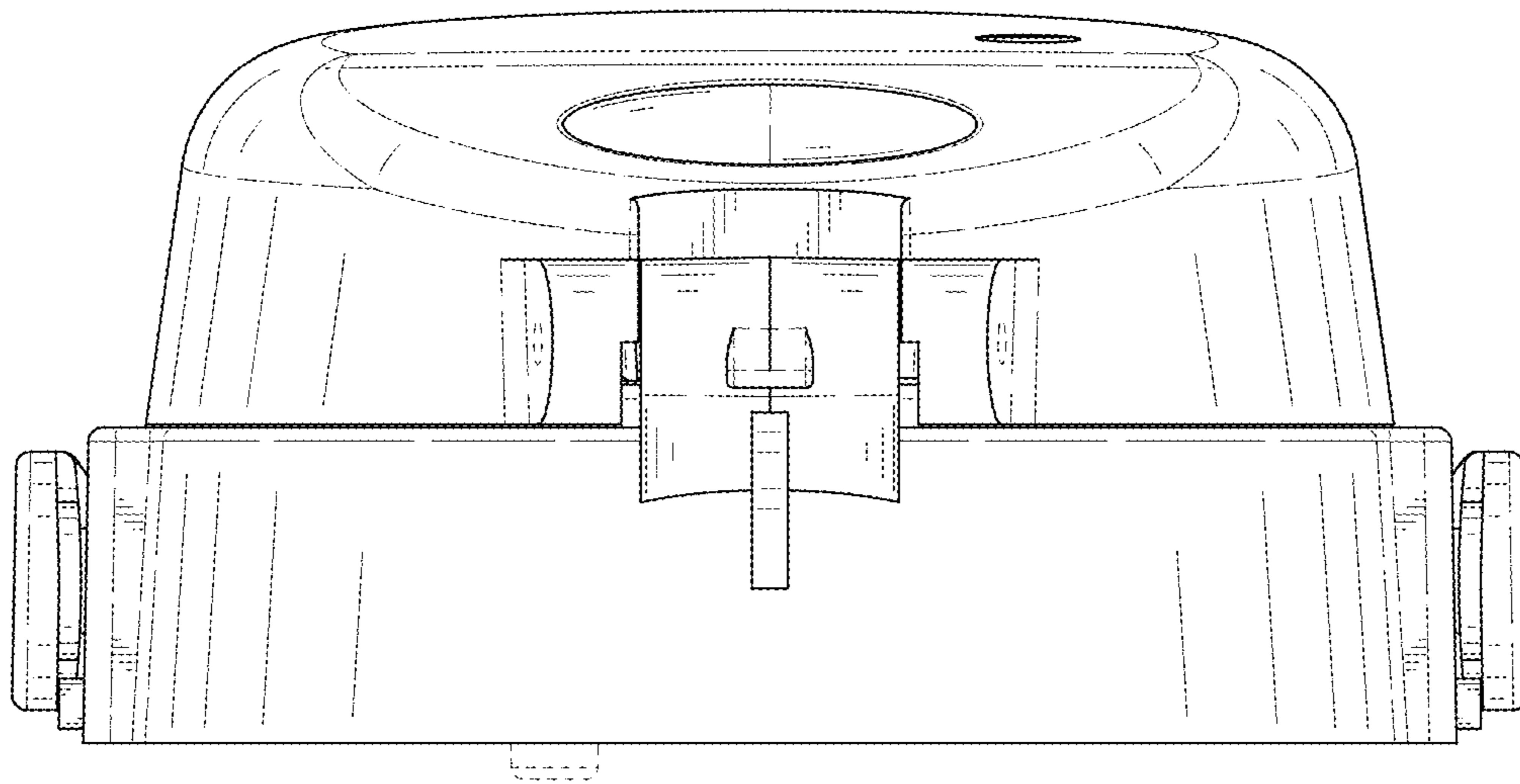


FIG. 4

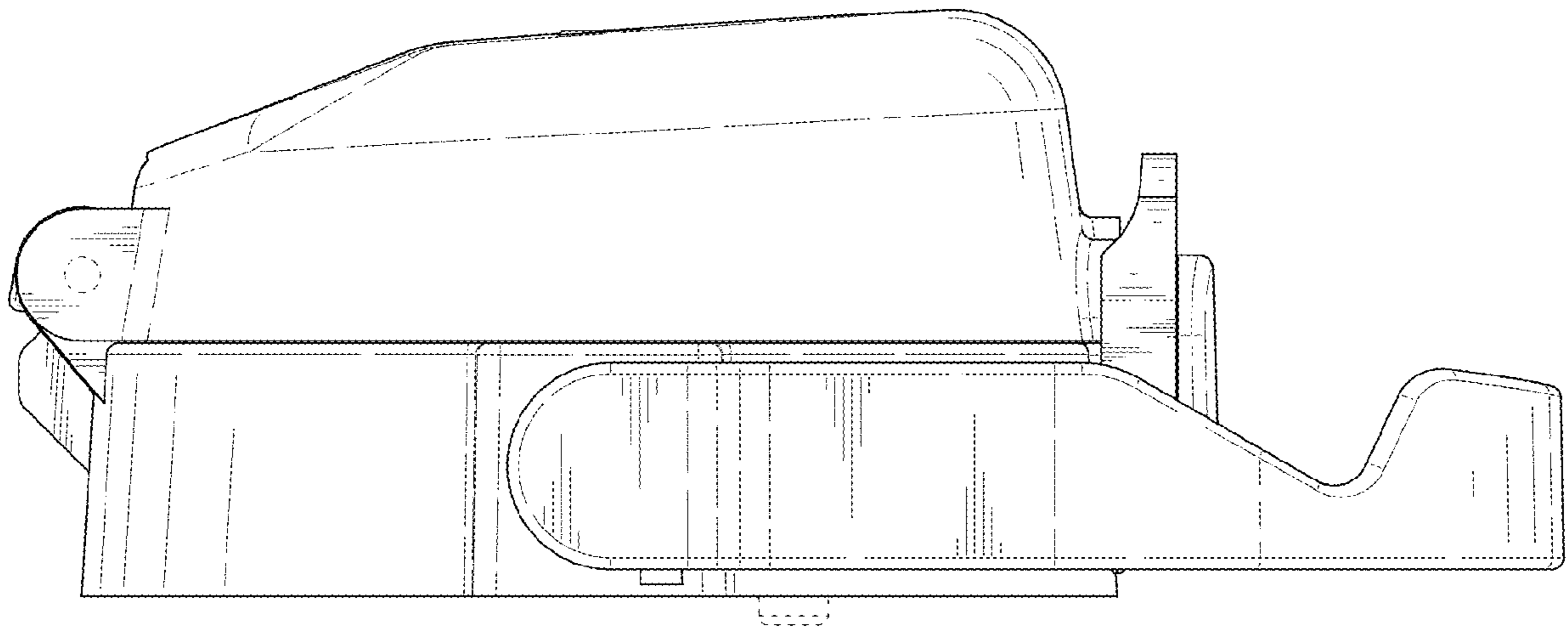


FIG. 5

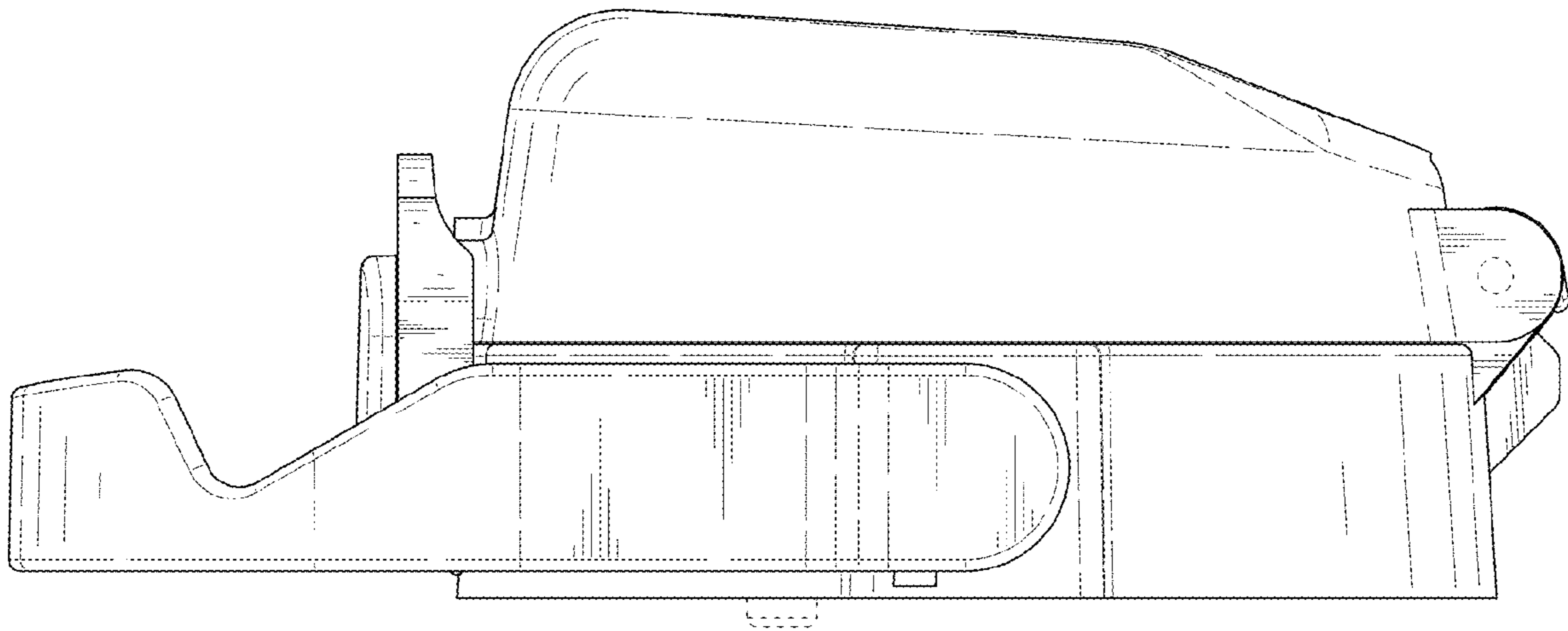


FIG. 6

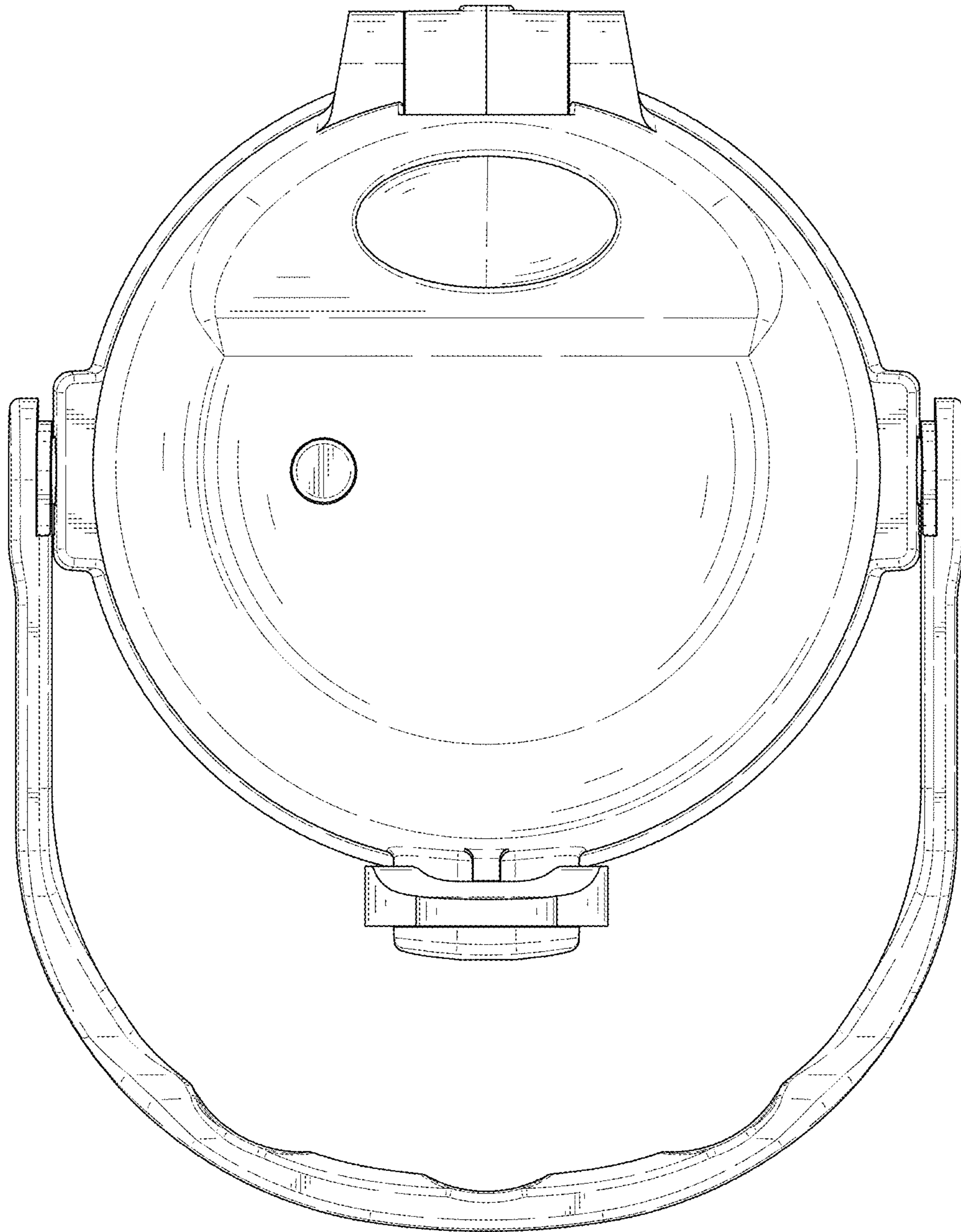


FIG. 7

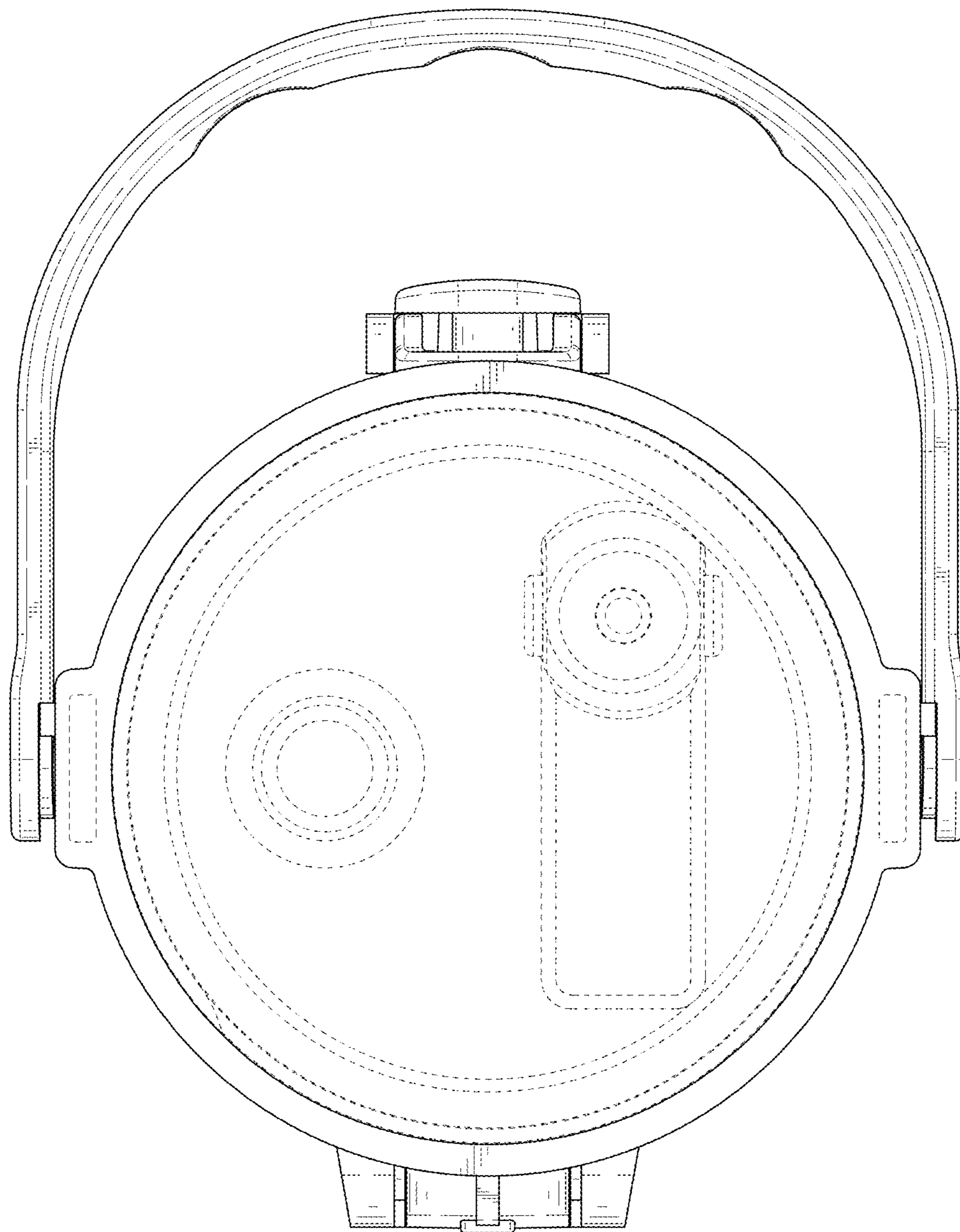


FIG. 8