



US00D977299S

(12) **United States Design Patent**
Chen

(10) **Patent No.:** **US D977,299 S**

(45) **Date of Patent:** **** Feb. 7, 2023**

(54) **WATER BOTTLE LID**

(71) Applicant: **Huifen Chen**, Shenzhen (CN)

(72) Inventor: **Huifen Chen**, Shenzhen (CN)

(**) Term: **15 Years**

(21) Appl. No.: **29/783,866**

(22) Filed: **May 16, 2021**

(51) **LOC (14) Cl.** **07-01**

(52) **U.S. Cl.**

USPC **D7/392.1**; D7/396.2

(58) **Field of Classification Search**

USPC D7/391, 392.1, 396.2; D9/434–436, 440,
D9/443, 447, 449, 454, 499

CPC A47G 19/22; A47G 19/2211; A47G
19/2222; A47G 19/2272; A45F 3/16;
A45F 3/18; B65D 41/04; B65D
2251/0003; B65D 2251/0015; B65D
2251/0078; B65D 2251/08; B65D
47/0085; B65D 47/0876; B65D 43/0225

See application file for complete search history.

(56) **References Cited**

U.S. PATENT DOCUMENTS

D580,227 S *	11/2008	Roth	D7/392.1
D806,468 S *	1/2018	Goodwin	D7/392.1
D875,466 S *	2/2020	Diener	D7/392.1
D894,670 S *	9/2020	Adams, Jr.	D7/392.1
D896,024 S *	9/2020	Wang	D9/449
D903,405 S *	12/2020	Zhang	D7/392.1
D913,036 S *	3/2021	Steenari	D7/392.1
D918,652 S *	5/2021	Pearce	D7/396.2
D924,000 S *	7/2021	Chen	D7/392.1
D930,430 S *	9/2021	Li	D7/392.1
D931,042 S *	9/2021	Burga	D7/392.1
D942,211 S *	2/2022	Backs	D7/392.1
D947,597 S *	4/2022	Shi	D7/392.1
D948,928 S *	4/2022	Chen	D7/392.1

D951,011 S *	5/2022	Zhang	D7/392.1
D958,591 S *	7/2022	Hu	D7/392.1
D960,637 S *	8/2022	Zhang	D7/391

(Continued)

OTHER PUBLICATIONS

Amazon. Triple-Insulated Stainless Steel Water Bottle with Straw Lid—Flip-Top Lid—Wide-Mouth Cap (25 Oz) Insulated Water Bottles, Keeps Hot and Cold—Sports Canteen Water Bottle Great for Hiking & Biking. No date specified. <https://amzn.to/3VDvb5g> (Year: 0).*

(Continued)

Primary Examiner — Darcey E Gottschalk

(57) **CLAIM**

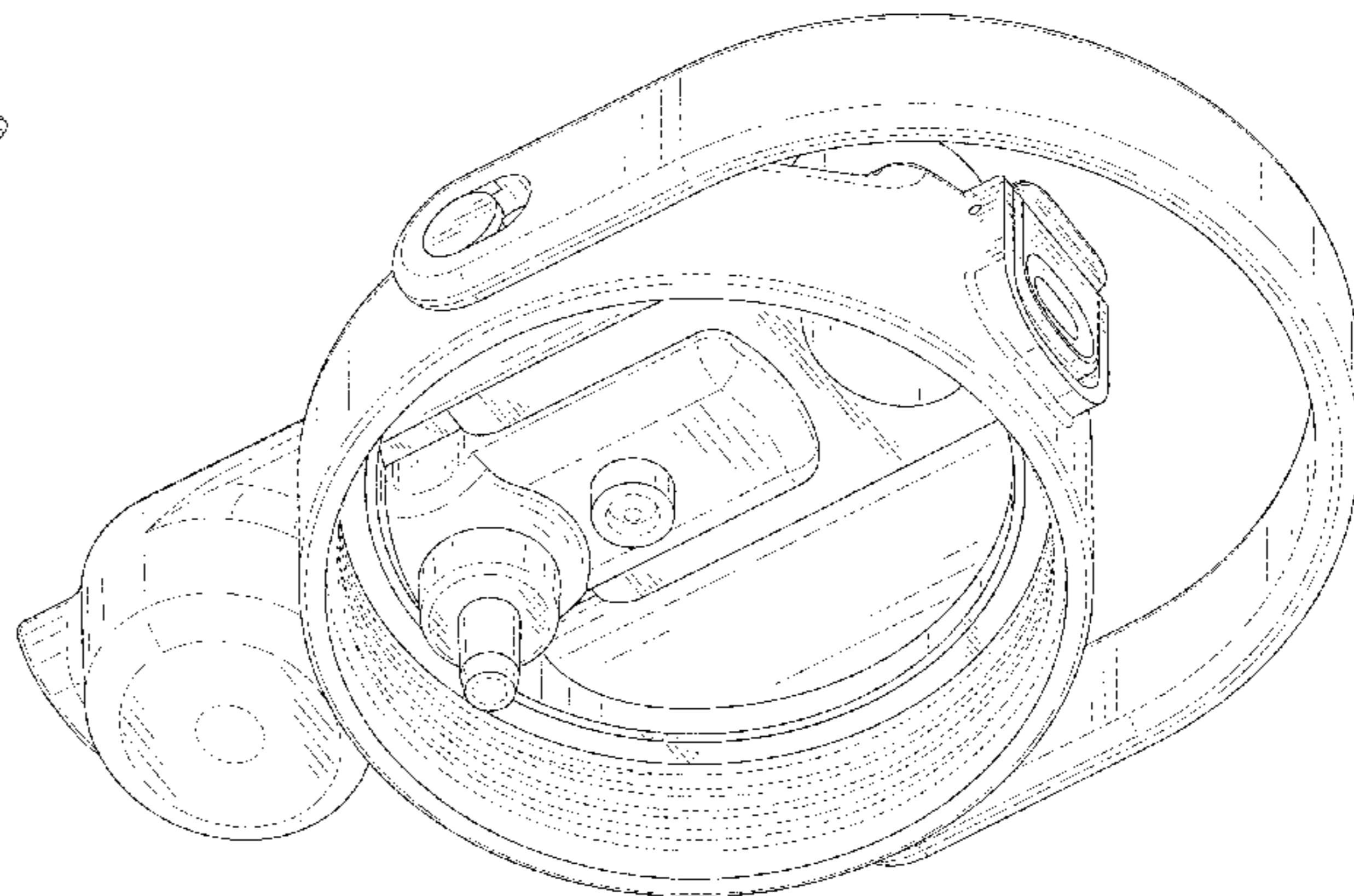
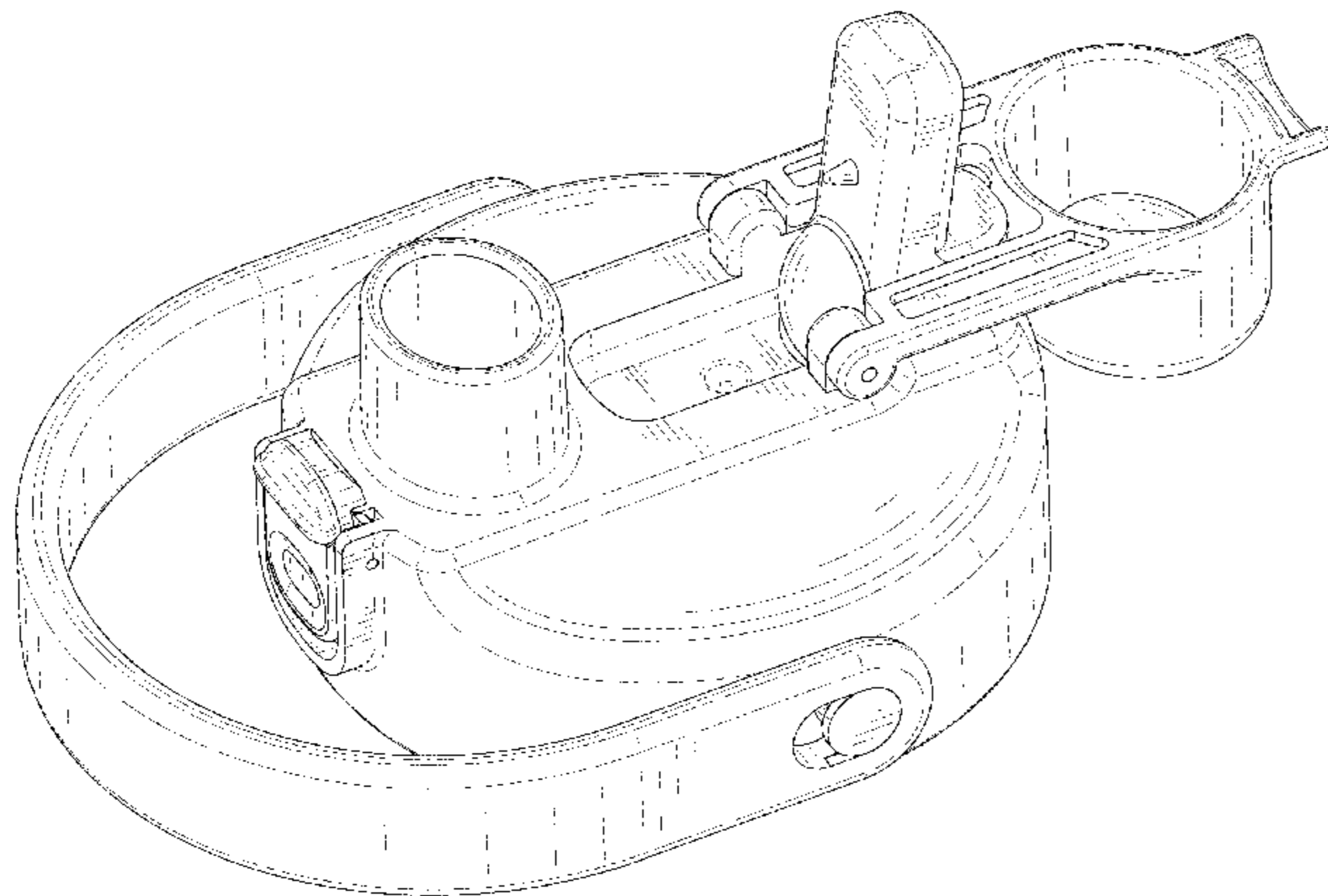
The ornamental design for a water bottle lid, as shown and described.

DESCRIPTION

FIG. 1 is a perspective view of a water bottle lid showing my new design;
FIG. 2 is another perspective view thereof;
FIG. 3 is a front elevational view thereof;
FIG. 4 is a rear elevational view thereof;
FIG. 5 is a left side elevational view thereof;
FIG. 6 is a right side elevational view thereof;
FIG. 7 is a top plan view thereof;
FIG. 8 is a bottom plan view thereof;
FIG. 9 is a perspective view of the water bottle lid where the water bottle lid is in a first configuration of use;
FIG. 10 is a perspective view of the water bottle lid where the water bottle lid is in a second configuration of use;
FIG. 11 is a perspective view of the water bottle lid where the water bottle lid is in a third configuration of use; and,
FIG. 12 is a front elevational view of the water bottle lid shown in FIG. 9.

The broken lines in the drawings depict portions of the water bottle lid that form no part of the claimed design.

1 Claim, 12 Drawing Sheets



(56)

References Cited

U.S. PATENT DOCUMENTS

D968,879 S * 11/2022 Saadeh D7/391
D968,882 S * 11/2022 Chen D7/392.1
D968,883 S * 11/2022 Chen D7/392.1
D968,885 S * 11/2022 Kutlug D7/392.1
D969,537 S * 11/2022 Li D7/392.1

OTHER PUBLICATIONS

NY Times. The Best Kids Water Bottles. Ellen Lee. Jul. 29, 2022.
<https://www.nytimes.com/wirecutter/reviews/best-kids-water-bottles/> (Year: 2022).*

Mar and the World. Iron Flask Bottles. Oct. 10, 2019. <https://marandtheworld.com/2019/10/10/iron-flask-bottle-review/> (Year: 2019).*

* cited by examiner

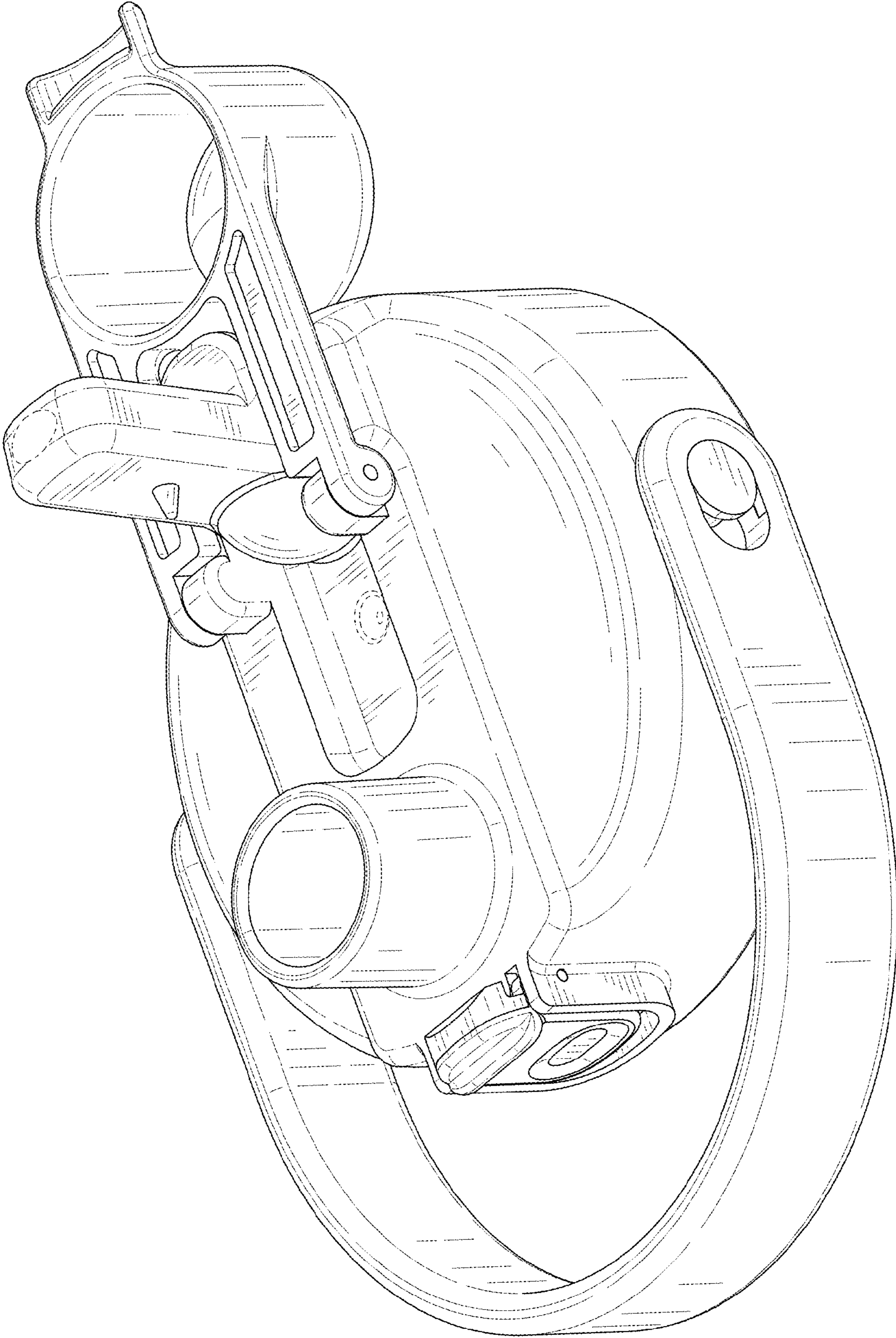


FIG. 1

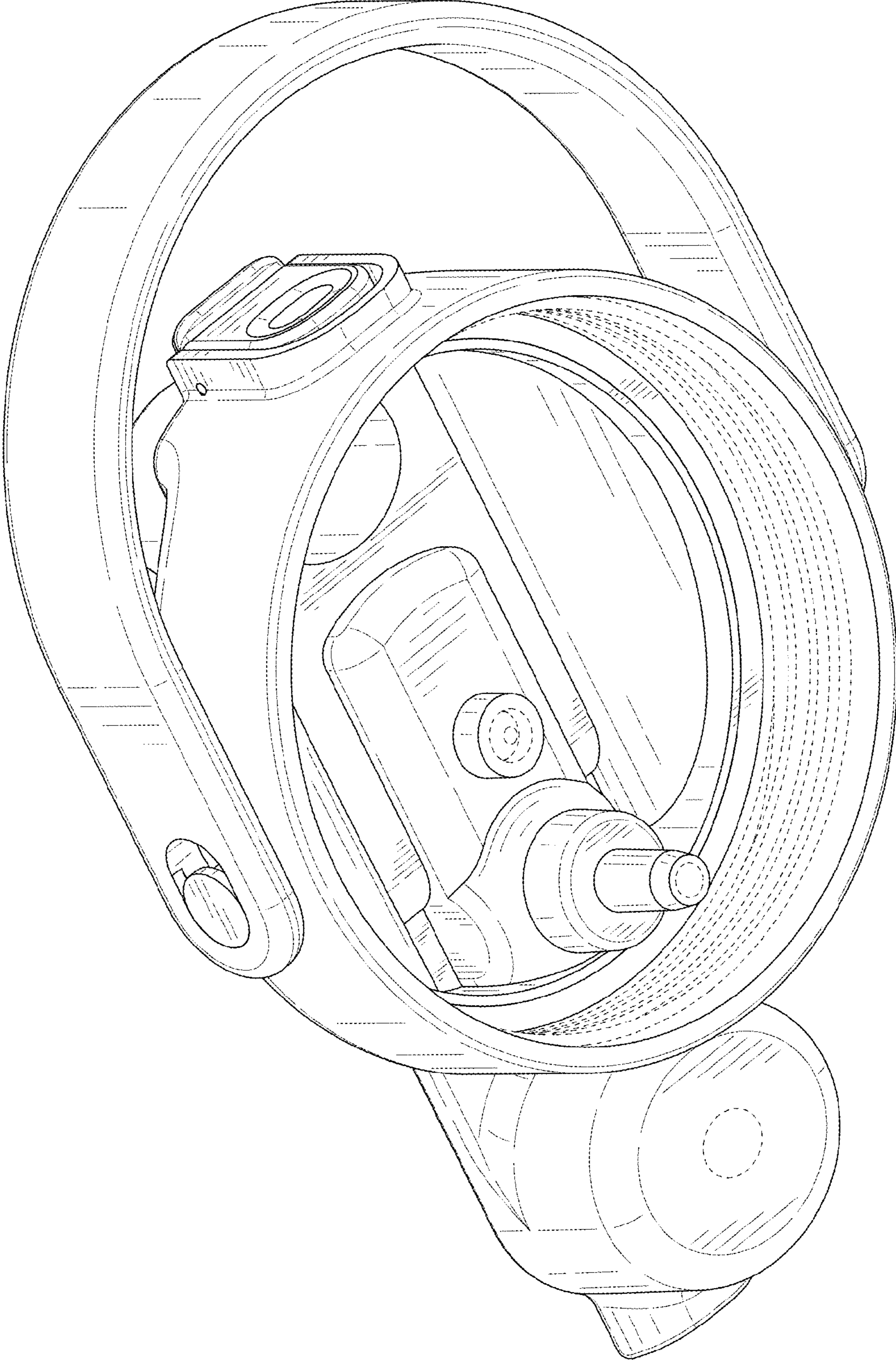


FIG. 2

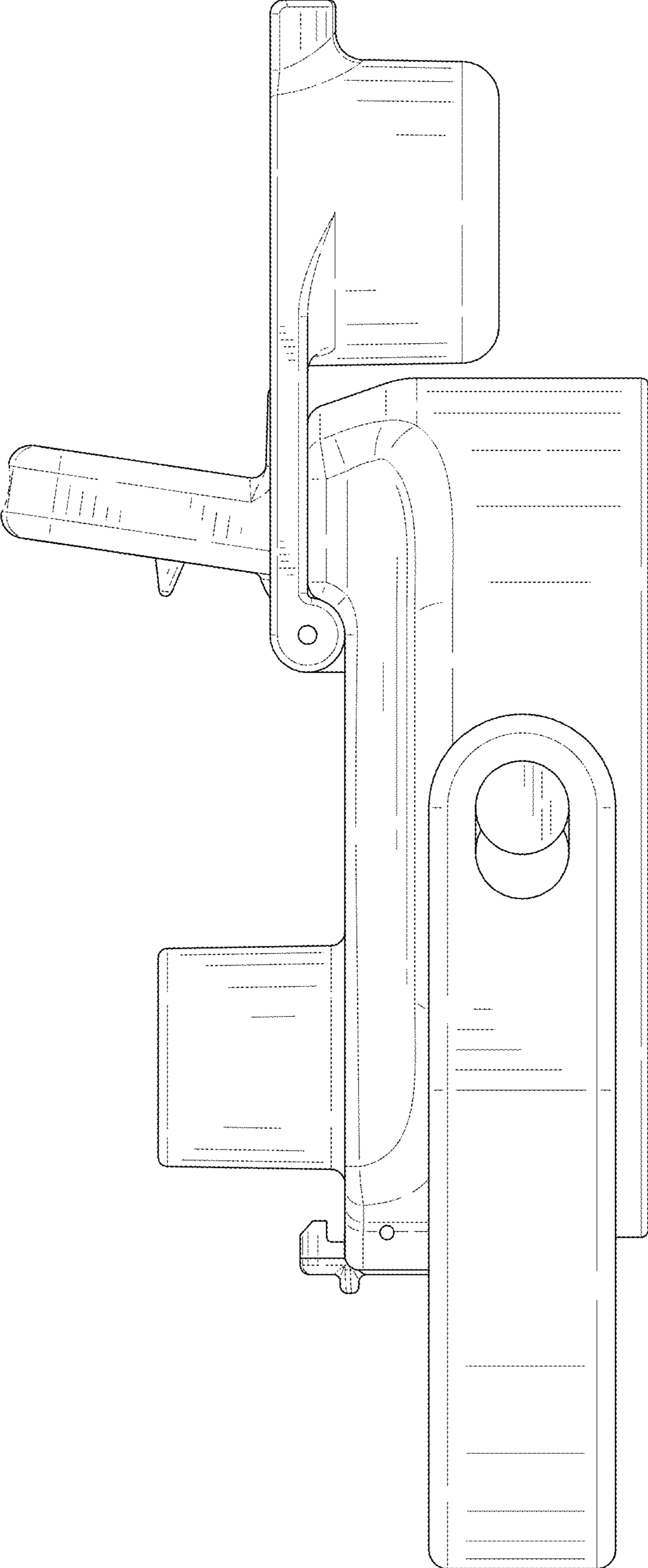


FIG. 3

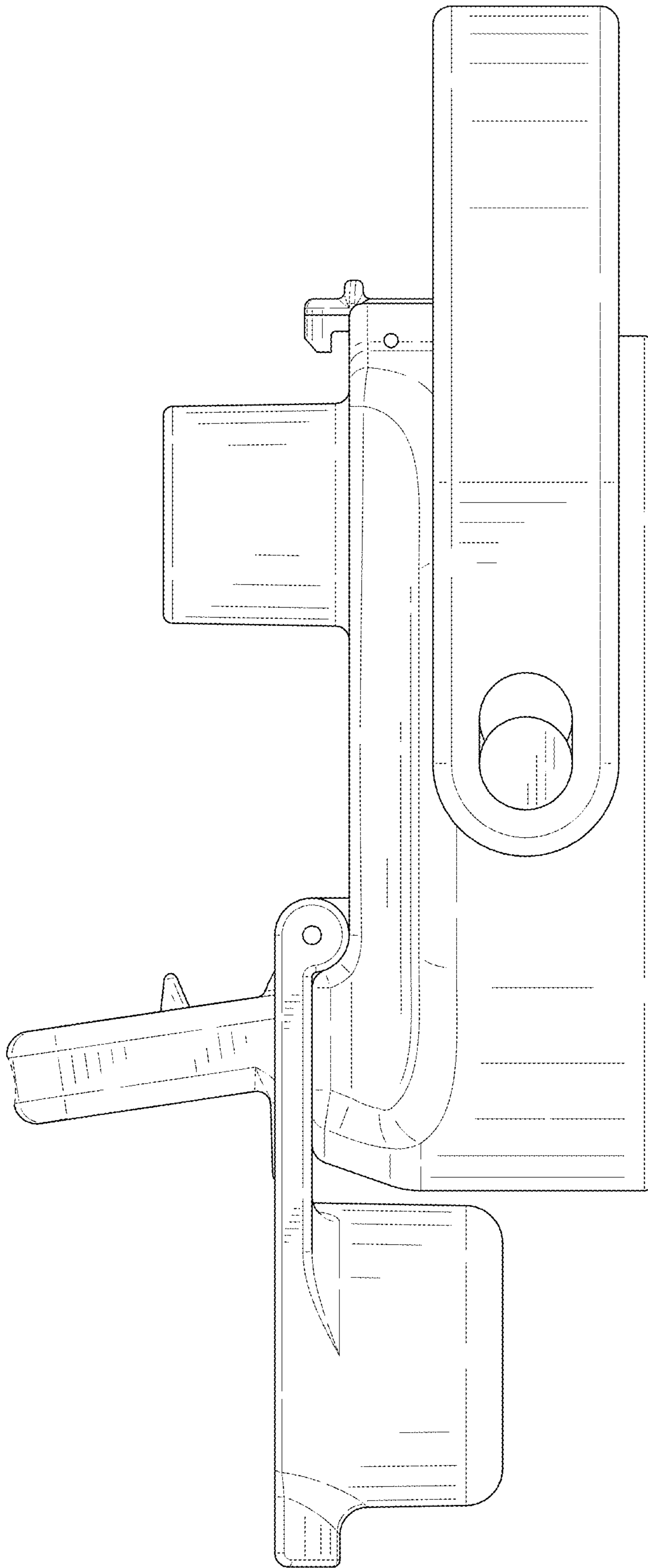


FIG. 4

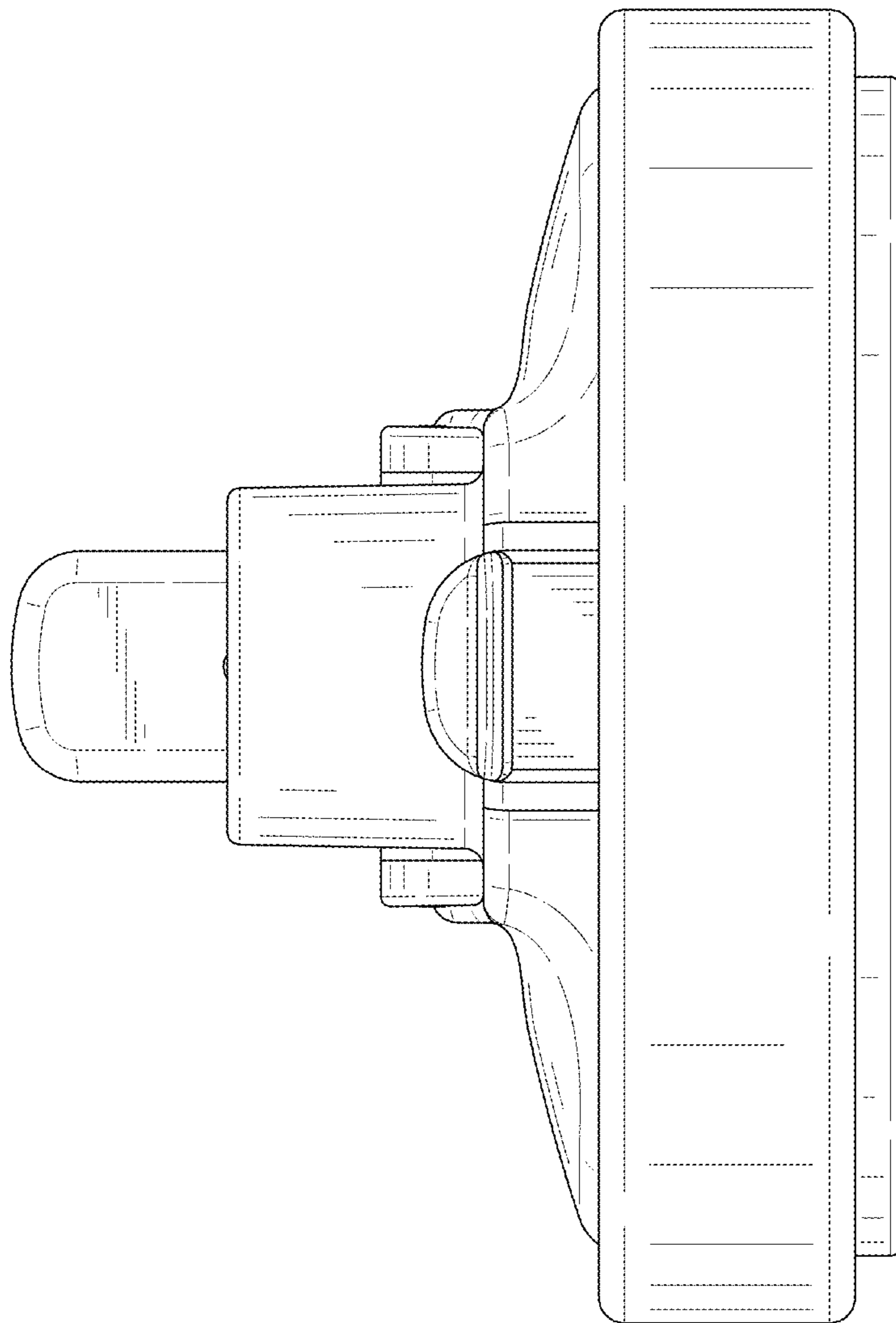


FIG. 5

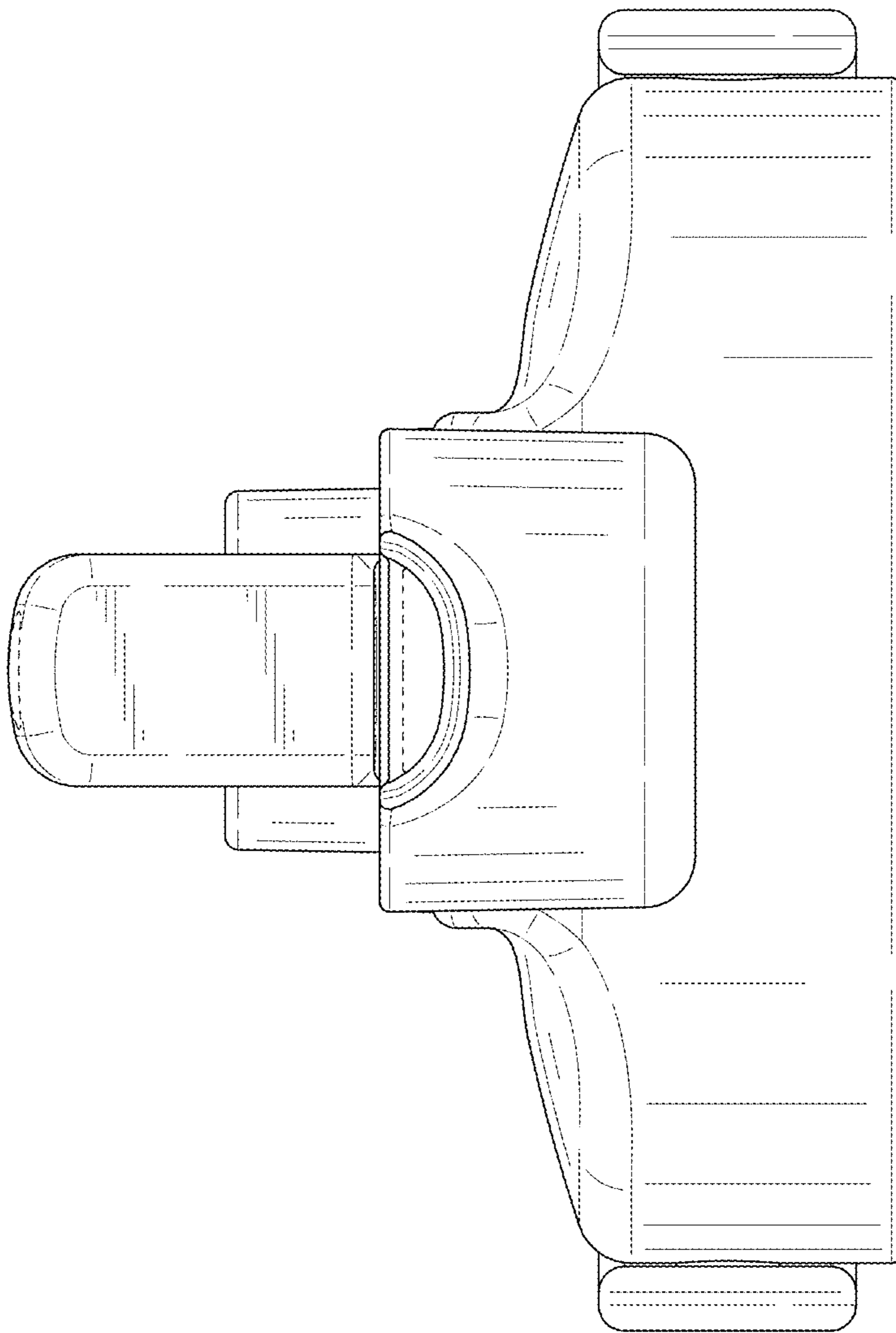


FIG. 6

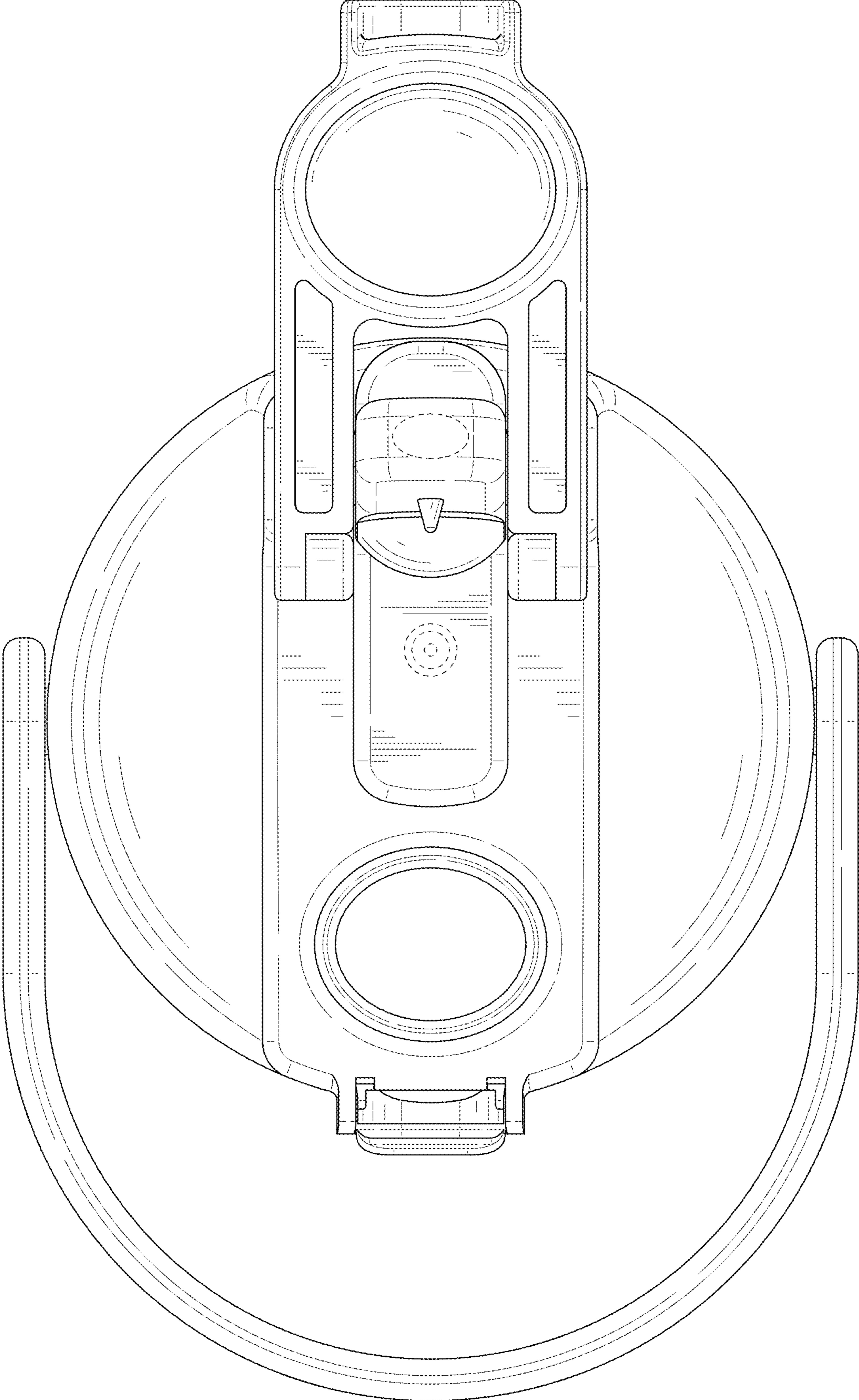


FIG. 7

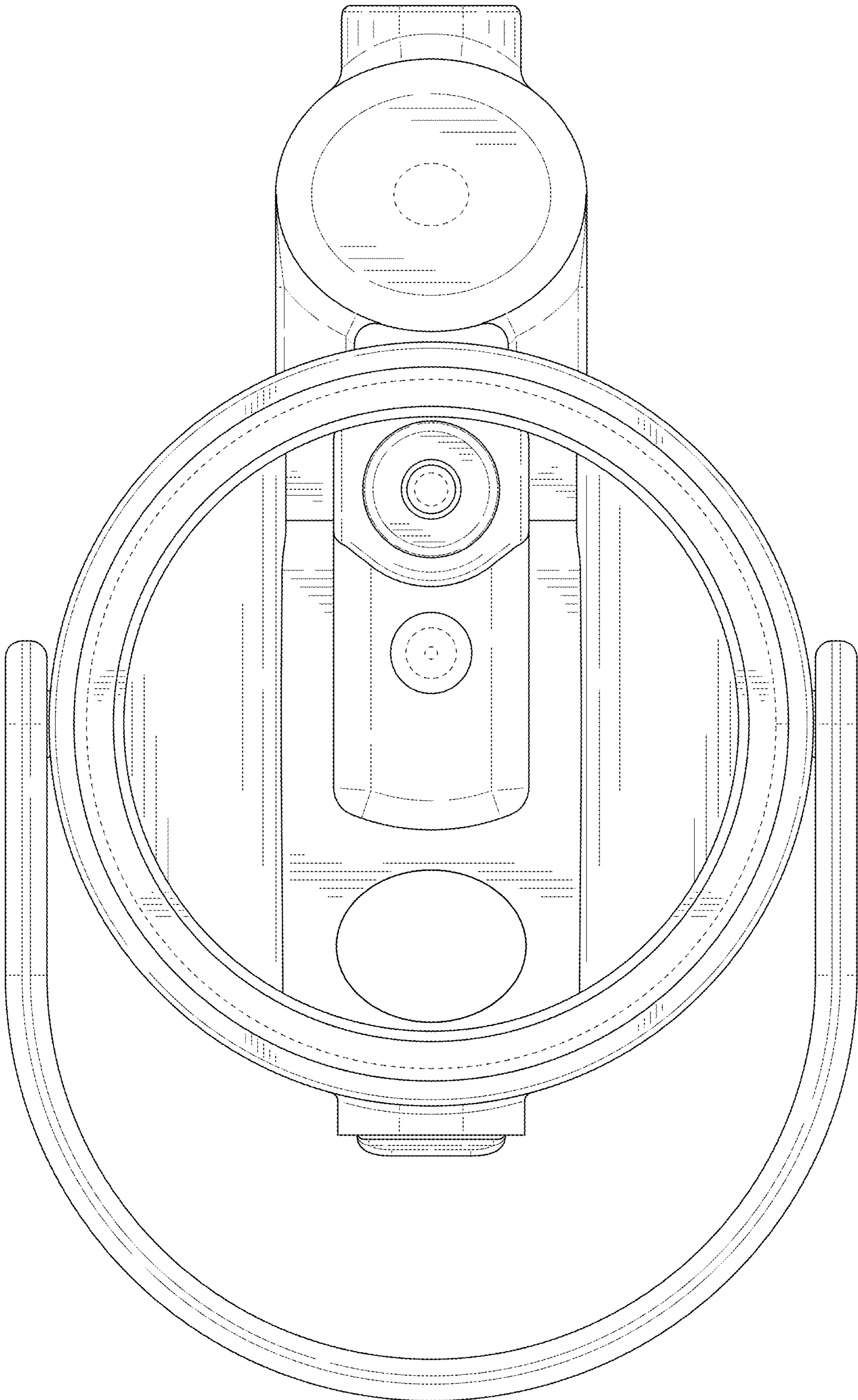


FIG. 8

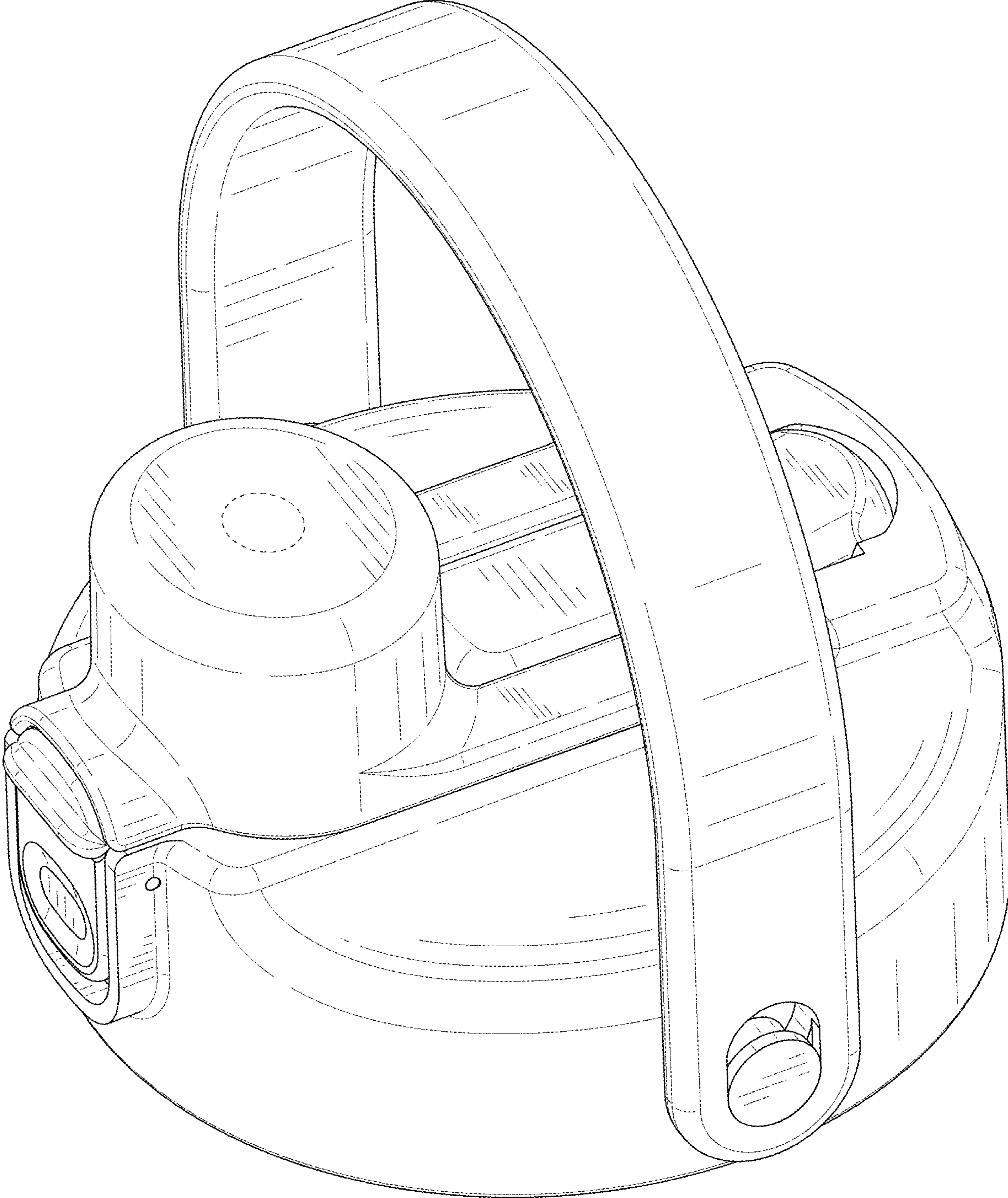


FIG. 9

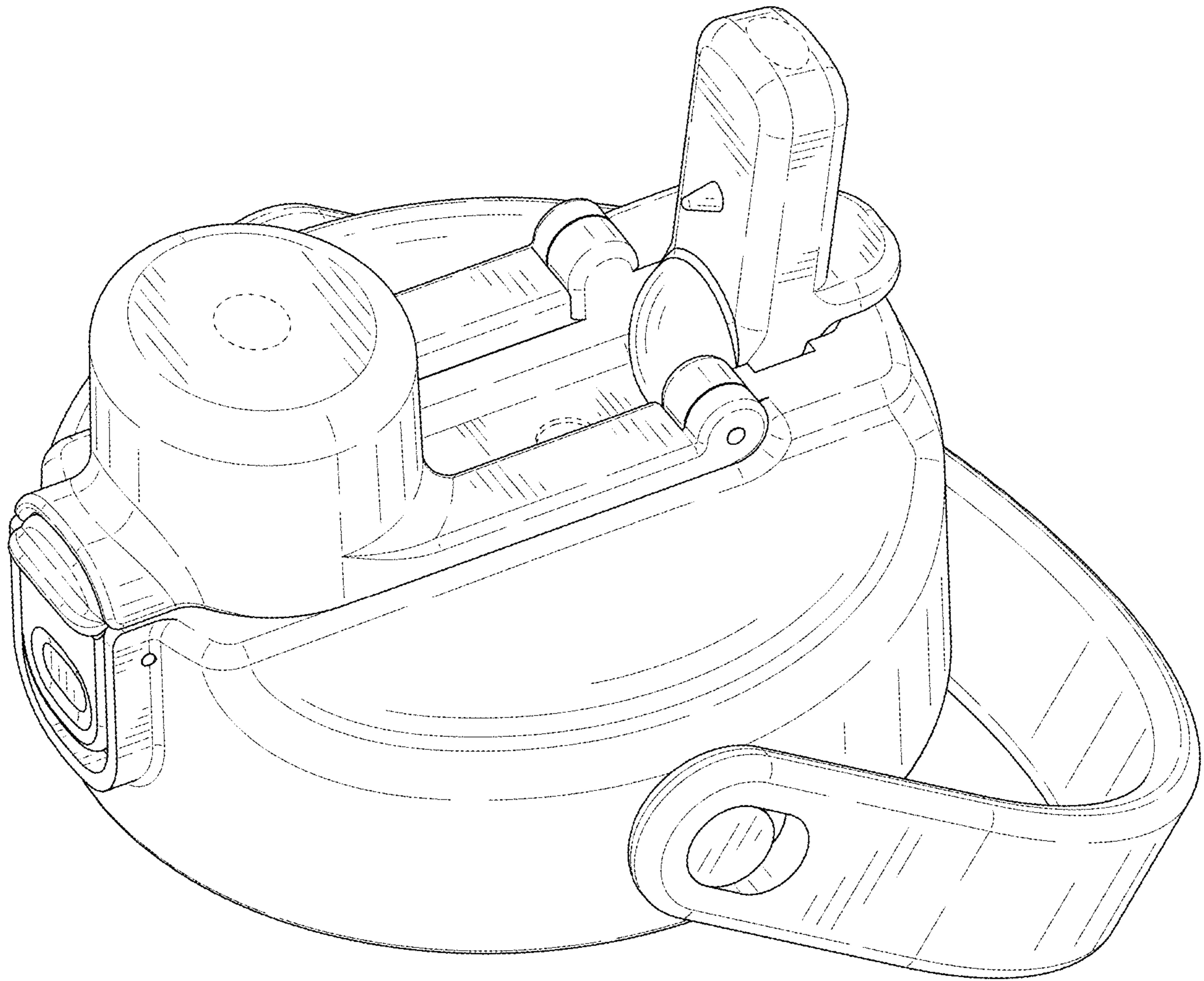


FIG. 10

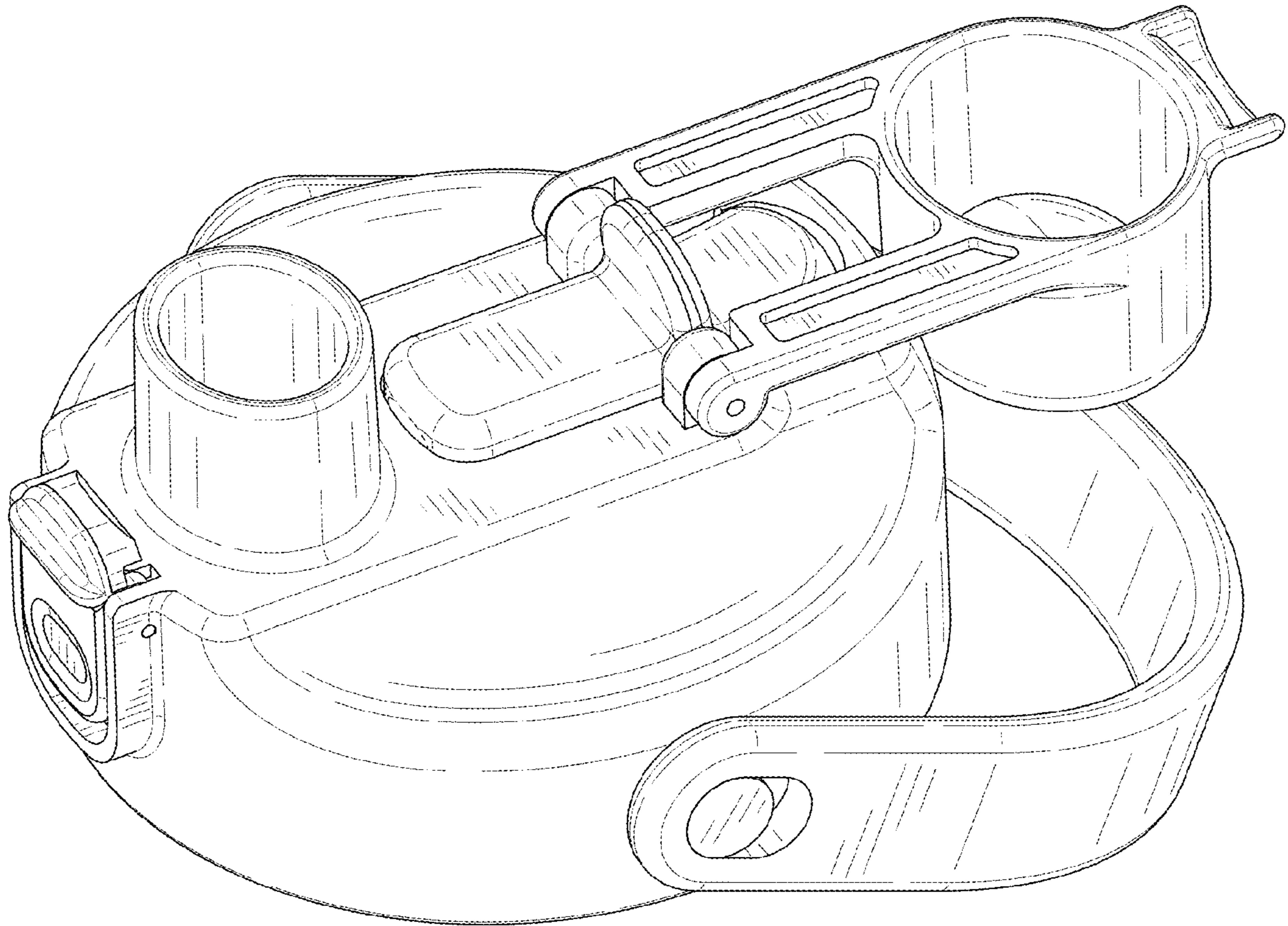


FIG. 11

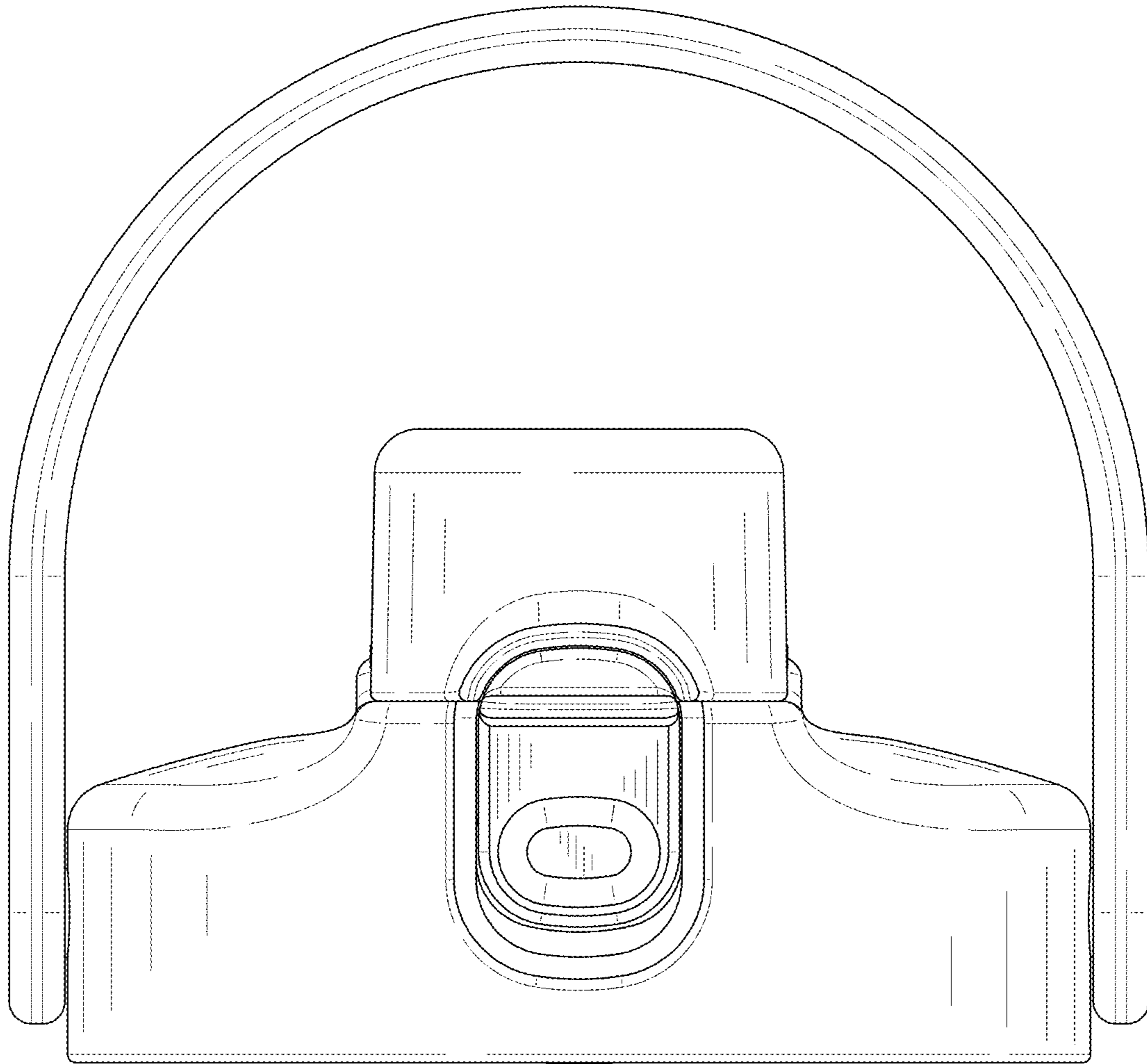


FIG. 12