



US00D977298S

(12) **United States Design Patent** (10) **Patent No.:** **US D977,298 S**
Stroud (45) **Date of Patent:** **** Feb. 7, 2023**

(54) **LID FOR A WATER BOTTLE**
(71) Applicant: **Under Armour, Inc.**, Baltimore, MD (US)
(72) Inventor: **Brandon Stroud**, Fountain Valley, CA (US)
(73) Assignee: **Under Armour, Inc.**, Baltimore, MD (US)

D842,652 S 3/2019 Huang
10,384,839 B2 8/2019 Yamaguchi
D869,230 S 12/2019 Hao
D879,550 S * 3/2020 Lane D7/392
D884,419 S * 5/2020 Backs D7/397
10,654,623 B2 5/2020 Circosta et al.
D900,537 S * 11/2020 Yao D7/392.1
(Continued)

(**) Term: **15 Years**
(21) Appl. No.: **29/772,812**

FOREIGN PATENT DOCUMENTS

CA 3023159 C 6/2020
CN 305354322 * 9/2019
(Continued)

(22) Filed: **Mar. 4, 2021**
(51) **LOC (14) Cl.** **07-01**
(52) **U.S. Cl.**
USPC **D7/392.1; D9/449**
(58) **Field of Classification Search**
USPC D7/507, 509, 510, 511, 533, 536, 392.1,
D7/396.1, 396.2, 608, 900; D30/132,
D30/121, 122, 123, 124, 125, 126, 127,
D30/128, 129, 130, 131, 133; D9/443,
D9/449, 561; D3/202; D29/125, 126
CPC A47G 19/2205; A47G 23/16; A47G
19/2272; A47J 41/00; A47J 41/02; A47J
41/0077; Y10S 220/903; B65D 21/02;
B65D 43/00; B65D 41/00
See application file for complete search history.

OTHER PUBLICATIONS

Furhua [online] URL: <https://www.amazon.com/Keyhole-Hanging-11-2mm-Single-Picture/dp/B07M6YM1W8> (site visited: May 27, 2021) (Year: 2019).*
(Continued)

Primary Examiner — Jae Liang
Assistant Examiner — Tia Ruth-Renee Polidori
(74) *Attorney, Agent, or Firm* — Edell Shapiro & Finnan, LLC

(57) **CLAIM**

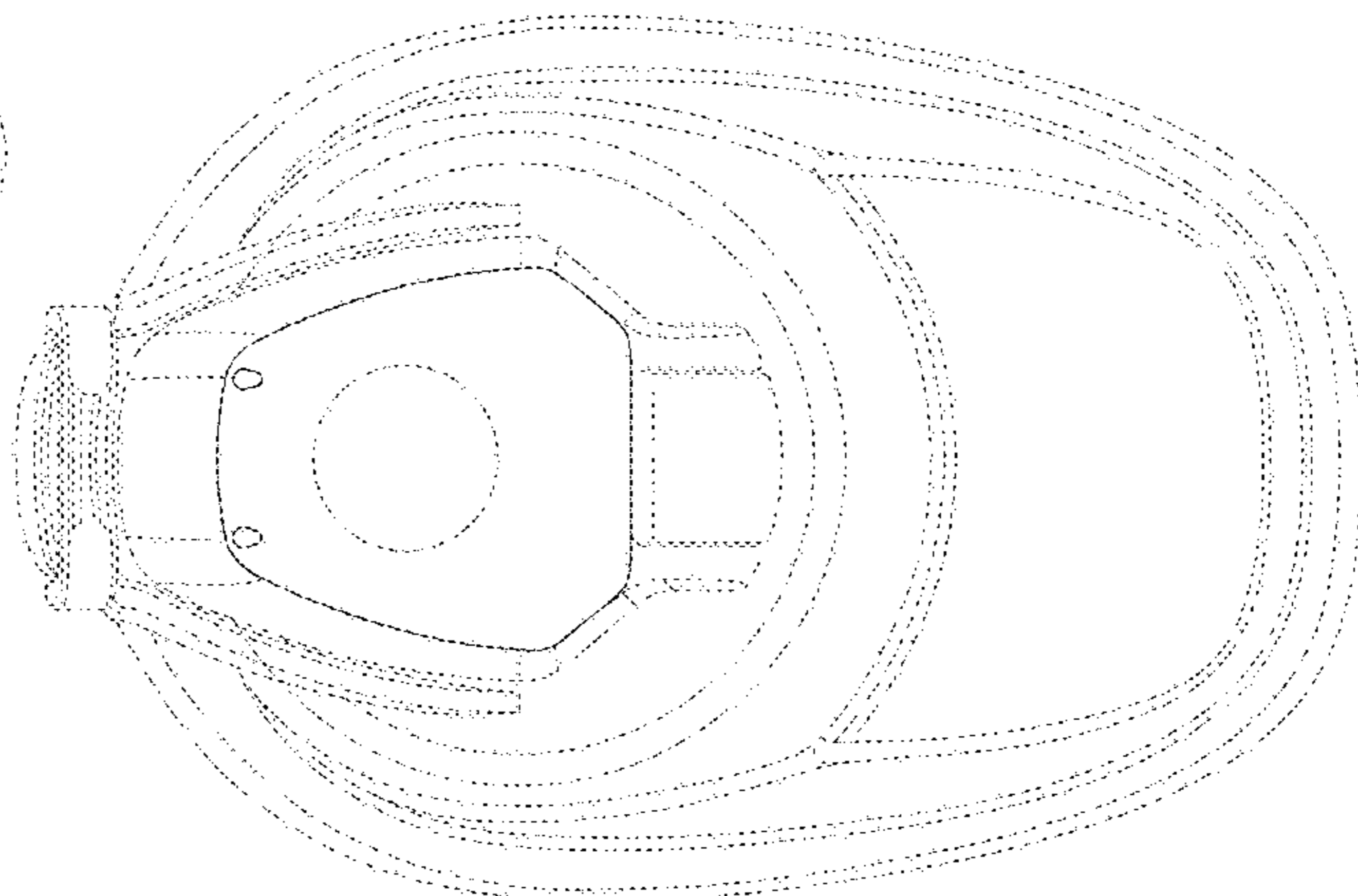
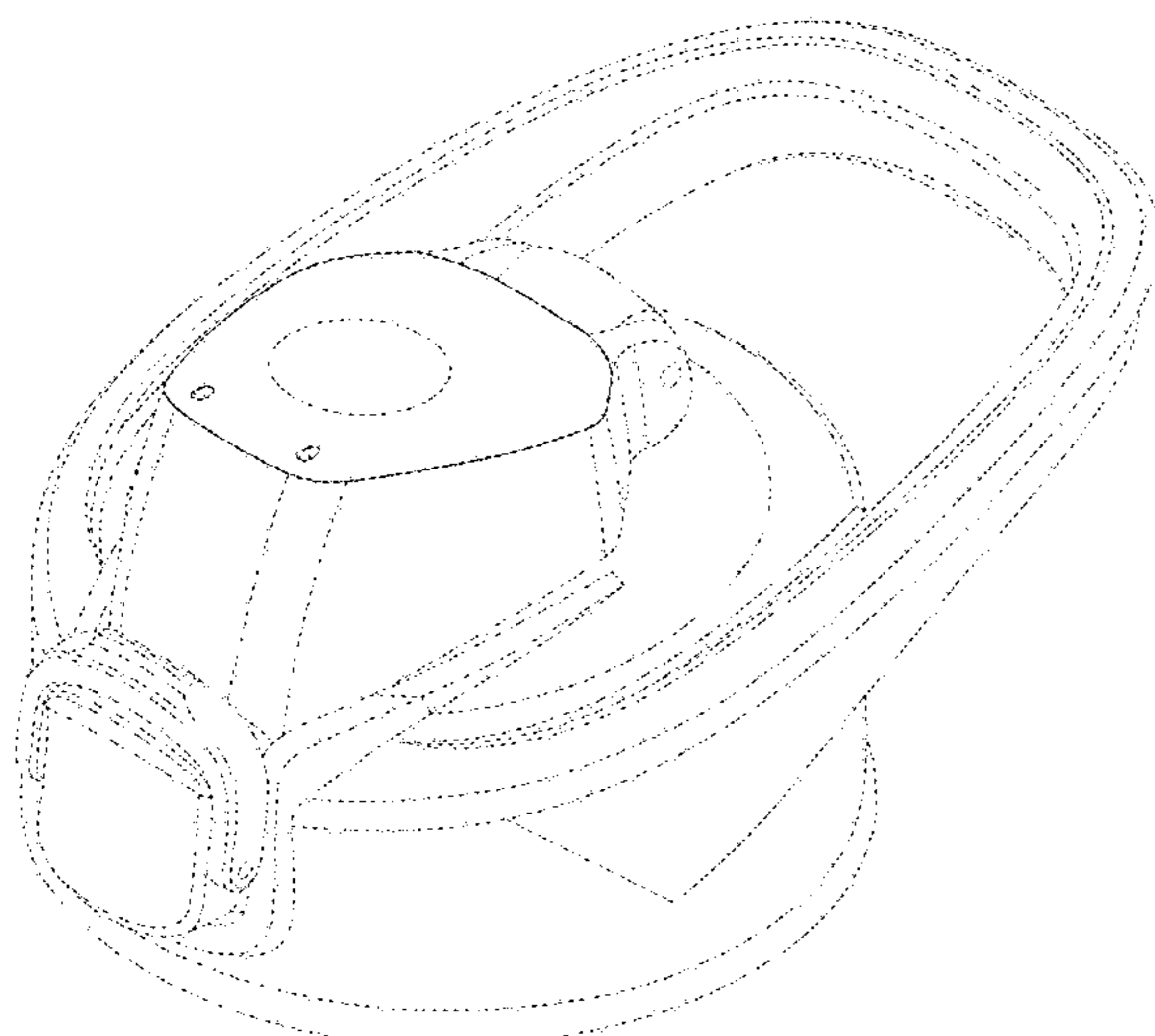
The ornamental design for a lid for a water bottle, as shown and described.

DESCRIPTION

FIG. 1 is a first front perspective view of a lid for a water bottle and where the lid is in a closed position; FIG. 2 is a second front perspective view thereof; FIG. 3 is a top plan view thereof; and, FIG. 4 is a front elevation view thereof, shown in an open position for clarity of disclosure. The broken lines depict portions of the lid for a water bottle that form no part of the claimed design.

1 Claim, 4 Drawing Sheets

(56) **References Cited**
U.S. PATENT DOCUMENTS
7,837,043 B2 11/2010 Reason-Kerkhoff
8,511,492 B2 8/2013 Webster et al.
D727,680 S 4/2015 Parekh et al.
D778,118 S 2/2017 Du
D780,516 S 3/2017 Cornelius
D793,804 S 8/2017 Herbst et al.
D808,264 S 1/2018 Neuhalfen et al.
D817,084 S * 5/2018 Hammer D7/392.1
10,196,187 B2 2/2019 Hingorani



(56)

References Cited

U.S. PATENT DOCUMENTS

D900,538 S * 11/2020 Yao D7/392.1
D915,821 S * 4/2021 Ludolph D7/392.1
D922,136 S * 6/2021 Lin D9/449
D923,394 S * 6/2021 Gu D7/392.1
D923,396 S * 6/2021 Lin D7/392.1
D925,279 S * 7/2021 Wang D7/396.2
D935,266 S * 11/2021 Chen D7/392.1
D936,413 S * 11/2021 Omdahl, II D9/449
D947,597 S * 4/2022 Shi D7/392.1
D948,280 S * 4/2022 Beckwith D7/392.1

FOREIGN PATENT DOCUMENTS

CN 305514200 * 12/2019
CN 306529644 * 5/2021
CN 306904758 * 10/2021
CN 307017337 * 12/2021
CN 307415204 * 6/2022

OTHER PUBLICATIONS

Under Armour [online] URL: <https://www.amazon.com/UNDER-ARMOUR-Replacement-Pro-Black/dp/B08TQDYY1H> (site visited: May 27, 2021) (Year: 2021).*

* cited by examiner

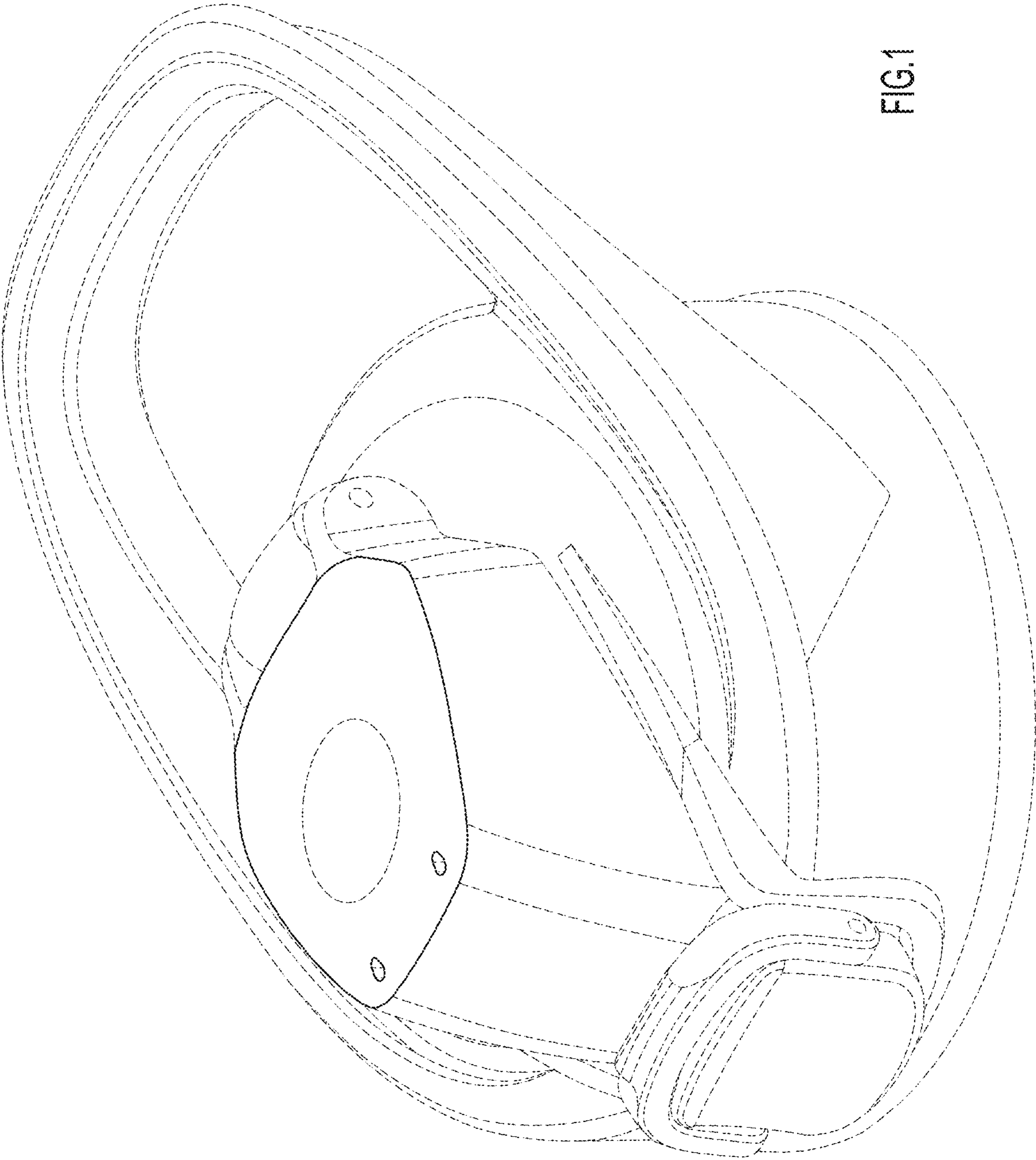


FIG. 1

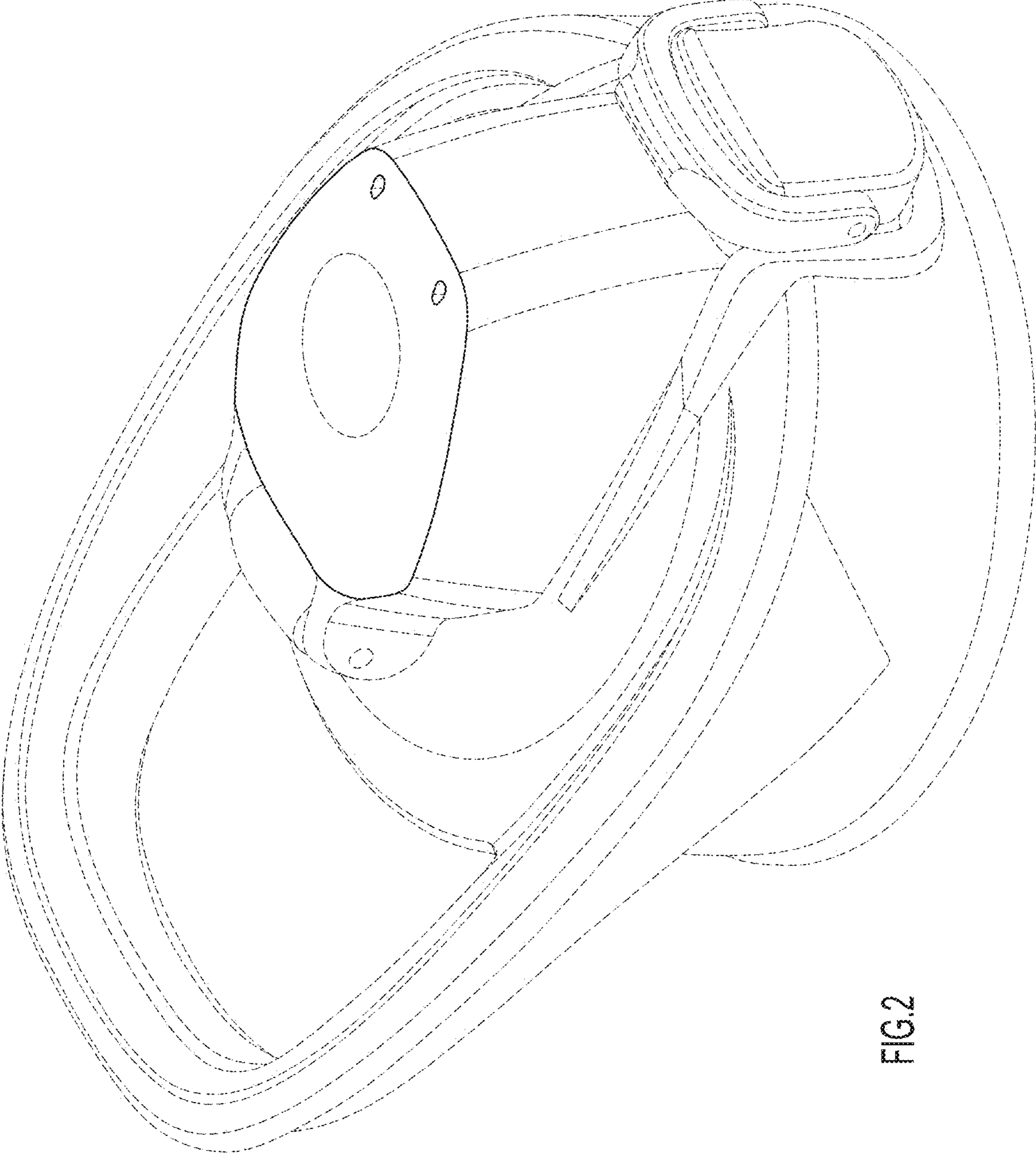


FIG.2

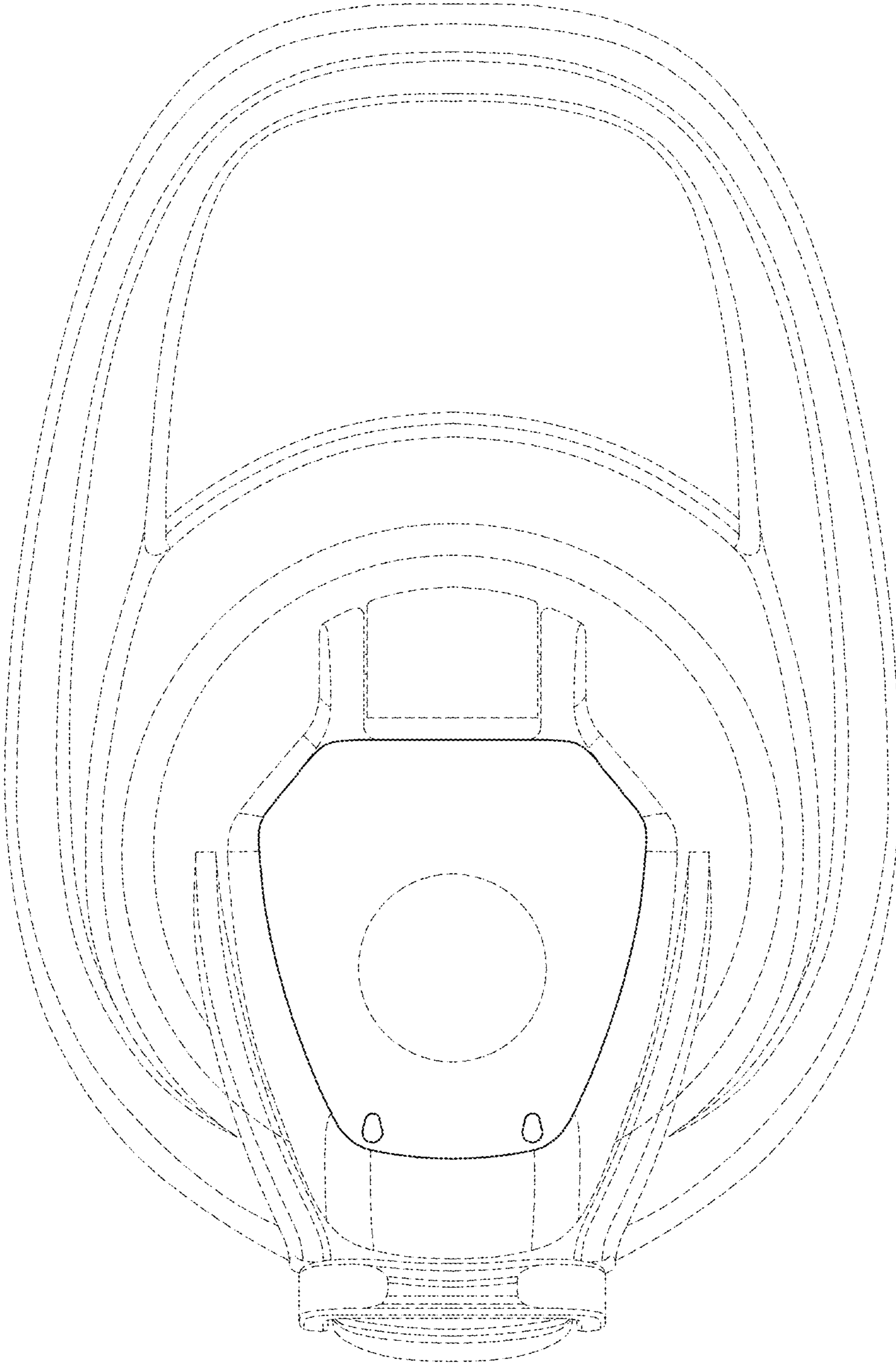


FIG.3

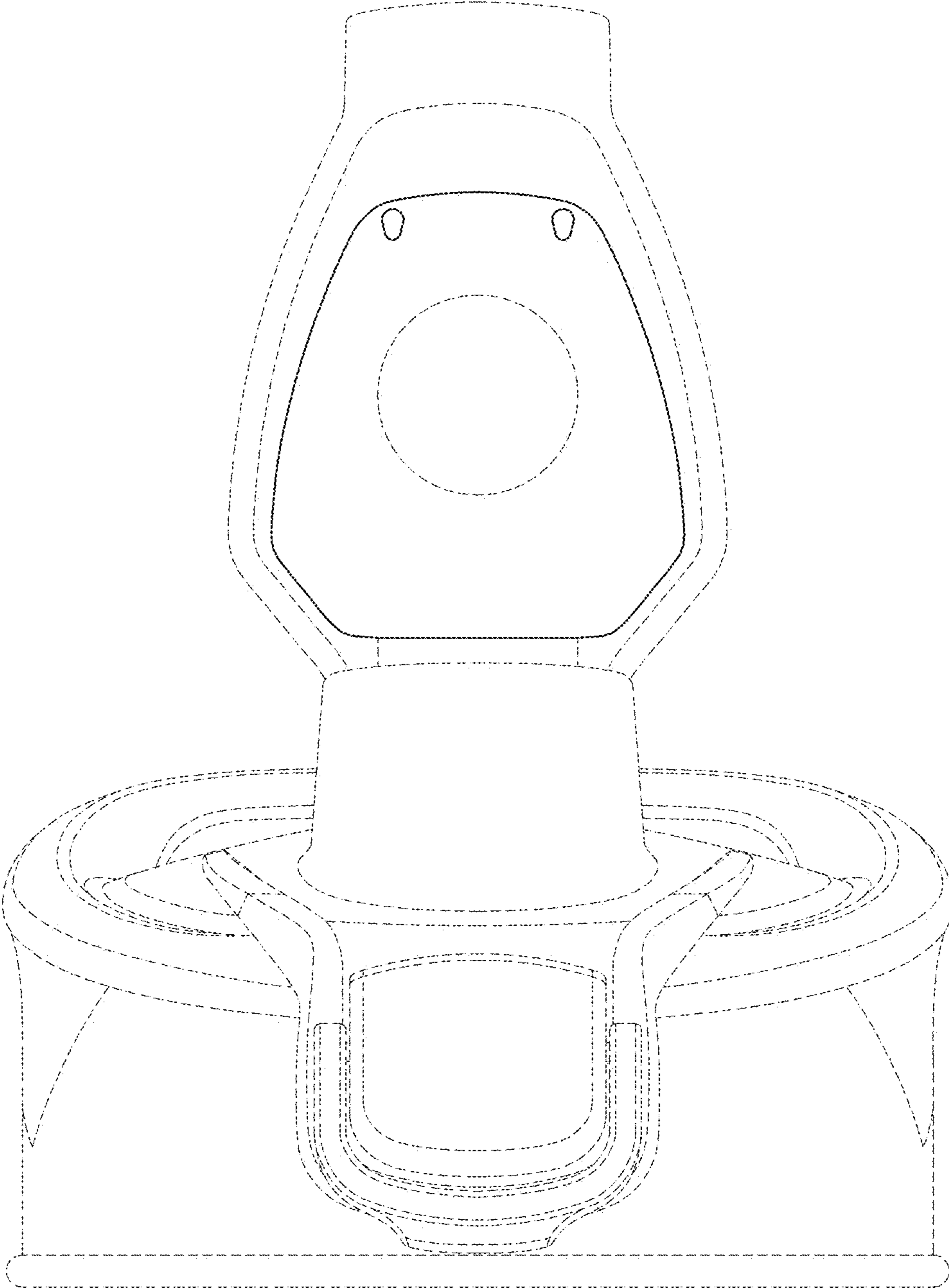


FIG.4