



US00D977297S

(12) **United States Design Patent**  
**Anthony et al.**

(10) **Patent No.:** **US D977,297 S**  
(45) **Date of Patent:** **\*\* Feb. 7, 2023**

(54) **OVEN**

(71) Applicant: **SHARKNINJA OPERATING LLC**,  
Needham, MA (US)

(72) Inventors: **Joshua D. Anthony**, North Billerica,  
MA (US); **Nicholas Varjabedian**,  
Middleboro, MA (US); **Dan**  
**Kestenbaum**, Brookline, MA (US)

(73) Assignee: **SharkNinja Operating LLC**,  
Needham, MA (US)

(\*\*) Term: **15 Years**

(21) Appl. No.: **29/694,047**

(22) Filed: **Jun. 6, 2019**

(51) **LOC (14) Cl.** ..... **07-06**

(52) **U.S. Cl.**  
USPC ..... **D7/387; D7/351**

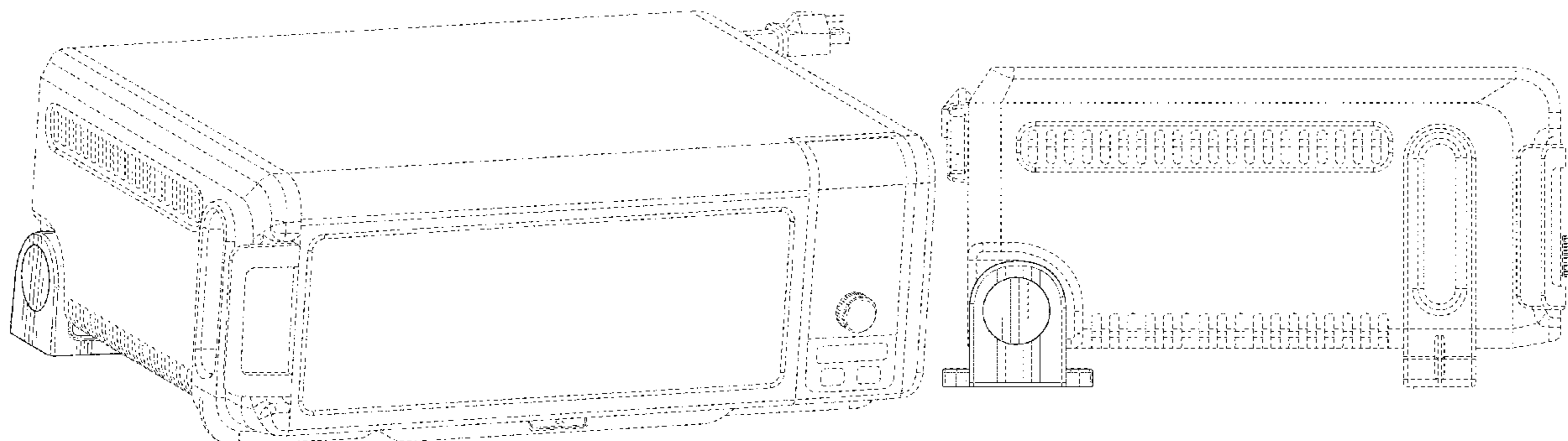
(58) **Field of Classification Search**  
USPC ..... D7/323, 331, 332, 334, 335, 338, 339,  
D7/340, 341, 346, 347, 348, 349, 350.1,  
D7/350.3, 350.4, 351, 354, 357, 358, 362,  
D7/363, 364, 365, 390, 402-409, 600.1,  
D7/600.2, 600.3; D23/314, 322, 323,  
D23/329, 330, 341; D99/28, 43;  
D6/672, 675, 702, 703, 559, 663, 699.1,  
D6/699.2, 699.3, 699.4, 699.5, 705.5,  
D6/300, 310, 311, 518, 522, 709, 717;  
D19/99  
CPC ..... A47J 37/0641; A47J 37/0629; A47J  
37/0664; A47J 37/0676; A47J 2202/00;  
A47J 37/00; A47J 37/0763; A47J 37/36;  
H05B 6/12; H05B 6/64; H05B 6/806;  
H05B 6/6426; H05B 6/6412; A21B 1/52;  
A21B 1/00; F24C 15/08; F24C 15/2042;  
F27D 9/00; F27D 2009/0018; F27D  
2009/004; F27B 2014/0837; F23D 14/02  
See application file for complete search history.

(56) **References Cited**

**U.S. PATENT DOCUMENTS**

710,034 A \* 9/1902 Belknap ..... B65H 35/0006  
242/598.5  
D41,125 S \* 1/1911 Klee ..... D6/310

1,018,817 A \* 2/1912 Farrell ..... A47K 10/22  
242/588.4  
1,021,413 A 3/1912 Koch  
D55,266 S \* 5/1920 Fuller ..... D19/86  
2,222,951 A \* 11/1940 Krueger ..... A47K 10/38  
242/596.8  
D161,199 S \* 12/1950 Perelman ..... D6/522  
2,745,937 A 5/1956 Welch  
D182,161 S \* 2/1958 Bulman ..... D6/522  
2,958,754 A 11/1960 Hahn  
3,116,030 A \* 12/1963 Leotta ..... A47K 10/405  
242/596.8  
D216,603 S \* 2/1970 Meyers ..... D19/99  
D217,187 S \* 4/1970 Andis ..... D6/522  
D227,313 S \* 6/1973 Elsner ..... D6/683  
4,097,002 A \* 6/1978 Krueger ..... A47K 10/40  
242/596.8  
D258,479 S \* 3/1981 Mills ..... D6/310  
D264,406 S \* 5/1982 Arnott ..... D6/522  
D273,644 S \* 5/1984 Colavito ..... D6/518  
D291,753 S \* 9/1987 Pool ..... D6/522  
D299,396 S \* 1/1989 Meyer ..... D6/522  
D301,667 S \* 6/1989 Barrs ..... D6/522  
D306,945 S \* 4/1990 Lucchini ..... D6/518  
5,011,353 A 4/1991 Boyd  
D326,580 S \* 6/1992 Brazis ..... D6/522  
D327,192 S \* 6/1992 Geuvjehizian ..... D6/518  
D337,013 S \* 7/1993 Poliandro ..... D6/518  
5,335,310 A 8/1994 Novy et al.  
D360,789 S \* 8/1995 Keeney ..... D6/523  
D374,583 S \* 10/1996 Bailey ..... D6/518  
D416,724 S \* 11/1999 Upham ..... D6/518  
D424,852 S \* 5/2000 Winter ..... D6/518  
6,060,701 A 5/2000 McKee et al.  
6,073,624 A 6/2000 Laurent  
6,122,437 A 9/2000 Johnson  
D436,285 S \* 1/2001 Taira ..... D7/351  
6,222,163 B1 4/2001 Arntz et al.  
6,244,552 B1 6/2001 Adams et al.  
6,265,697 B1 \* 7/2001 Sen ..... A47J 37/0664  
99/421 H  
6,294,769 B1 9/2001 McCarter  
6,437,291 B1 8/2002 Hopponen  
6,543,338 B2 4/2003 Chasen et al.  
6,903,309 B2 6/2005 Rhinehart  
D521,746 S \* 5/2006 Frazier ..... D6/300  
D551,478 S \* 9/2007 Dretzka ..... D6/522  
7,339,138 B1 3/2008 Brooks  
7,340,993 B2 3/2008 Sculuca  
D578,813 S \* 10/2008 Goodman ..... D6/522  
D582,211 S \* 12/2008 Green ..... D7/405  
7,872,213 B2 1/2011 De Leon et al.  
D633,317 S \* 3/2011 Walters ..... D6/522



# US D977,297 S

7,901,721	B2	3/2011	Oosterling	
D683,973	S *	6/2013	Pitts Brown	D6/310
8,534,779	B2	9/2013	Schaaf	
8,997,635	B2	4/2015	Buzick et al.	
9,060,640	B2	6/2015	Barrows et al.	
D739,158	S *	9/2015	Pan	D6/518
9,335,054	B2	5/2016	Donarski	
9,402,472	B1	8/2016	Levi	
9,545,154	B2	1/2017	Duke	
D781,635	S *	3/2017	Koszylko	D7/348
9,681,773	B2	6/2017	McKee et al.	
D795,619	S *	8/2017	Labrosse	D6/709
D796,224	S *	9/2017	McDonnell	D6/522
9,874,353	B2	1/2018	Thabit	
10,016,092	B2	7/2018	Barrows et al.	
10,094,575	B2	10/2018	Evans et al.	
10,271,686	B2	4/2019	Roy	
D851,979	S *	6/2019	Bell	D7/346
D923,354	S *	6/2021	Rossi	D6/540
D927,241	S *	8/2021	Huang	D7/351
D934,628	S *	11/2021	Lees	D7/402
2005/0057910	A1	3/2005	Schnurr	
2006/0003277	A1	1/2006	Jeng	
2006/0192468	A1	8/2006	Gardner	
2008/0087200	A1	4/2008	Salmon et al.	
2010/0231105	A1	9/2010	Latif	
2010/0282738	A1	11/2010	Leikam et al.	
2010/0326980	A1	12/2010	Shingler	
2012/0058234	A1	3/2012	Navon	
2013/0101240	A1	4/2013	Jährling et al.	
2013/0248522	A1*	9/2013	Hwang	H05B 6/64 250/353
2014/0016916	A1	1/2014	Lee	
2014/0061190	A1*	3/2014	Noh	H05B 6/6455 219/702
2014/0158676	A1	6/2014	Phillips et al.	
2016/0029829	A1*	2/2016	Klein	A47J 37/08 99/332
2016/0296012	A1	10/2016	Ciccacci et al.	
2018/0134204	A1	5/2018	Aplin	
2018/0289213	A1	10/2018	Stanford	
2018/0317705	A1	11/2018	Roy	
2019/0000267	A1*	1/2019	Li	A47J 37/0641
2019/0014623	A1*	1/2019	Oguri	H05B 6/1209
2019/0166658	A1*	5/2019	Zhang	H05B 6/80
2021/0307131	A1*	9/2021	Heimerdinger	A47J 37/046
2022/0030674	A1*	1/2022	Heimerdinger	A47J 36/34

## FOREIGN PATENT DOCUMENTS

CN	1124097	C	10/2003
CN	100574687	C	12/2009
CN	101091625	B	2/2011
CN	101484756	B	5/2012
CN	102472496	A	5/2012
CN	203195501	U	9/2013
CN	105009687	A	10/2015
CN	105708180	A	6/2016
CN	106196182	A	12/2016
CN	106214012	A	12/2016
CN	106413477	A	2/2017
CN	106419618	A	2/2017
CN	106539503	A	3/2017
CN	206006997	U	3/2017
CN	206007052	U	3/2017
CN	106724895	A	5/2017
CN	106821018	A	6/2017
CN	106821025	A	6/2017
CN	107143891	A	9/2017
CN	107495855	A	12/2017
CN	105852659	B	2/2018
CN	107661027	A	2/2018
CN	107928444	A	4/2018
CN	108158242	A	6/2018
CN	108185838	A	6/2018
CN	108354469	A	8/2018

CN	108814331	A	11/2018
CN	108968709	A	12/2018
CN	109059059	A	12/2018
CN	109419379	A	3/2019
WO	2018091225	A1	5/2018
WO	2018172404	A1	9/2018

## OTHER PUBLICATIONS

Ninja Foodie Digital Air Fryer: Announced Feb. 22, 2020 (online). Site Visited [Apr. 14, 2022]. Available from Internet URL: <https://www.ninjakitchen.com/exclusive-offer/SP101WBKT/ninja-foodi-digital-air-fry-oven/>.\*

Ninja Foodie Digital Air Fryer: Announced Aug. 2019 (online). Site Visited [Jun. 15, 2020]. Available from Internet URL: <https://www.ninjakitchen.com/exclusive-offer/SP101WBKT/ninja-foodi-digital-air-fry-oven/>.\*

YEAKE Double Sided Mirror: Announced (Jul. 23, 2021). Site Visited (Oct. 2, 2022). Available from Internet URL: [https://www.amazon.com/YEAKEMagnifying-Rotation-Standing-Traveling/dp/B0989S5GW1?source=ps-sl-shoppingads-lpcontext&ref\\_=fp\\_lfs&smid=A29VC61U9C0E48&th=1](https://www.amazon.com/YEAKEMagnifying-Rotation-Standing-Traveling/dp/B0989S5GW1?source=ps-sl-shoppingads-lpcontext&ref_=fp_lfs&smid=A29VC61U9C0E48&th=1).\*

Ninja Foodie Digital Air Fryer: Announced (Feb. 22, 2020). Site Visited (Oct. 3, 2022). Available from URL: <https://www.ninjakitchen.com/exclusive-offer/SP101WBKT/ninja-foodi-digital-air-fry-oven/>.\*

Ninja SP301 Foodie: Announced (Nov. 24, 2021). Site Visited (Oct. 3, 2022). Available from URL: <https://www.ninjakitchen.com/exclusive-offer/SP301WBKT/ninja-foodi-13-in-1-dual-heat-air-fry-oven-cou%E2%80%A6%201/3>.\*

Breville, “The Smart Oven Air, Instruction Book—Suits all BOV900 models,” Breville, BOV900 USCB16, 2016, pp. 1-68.

Cuisinart, “Cuisinart, Instruction and Recipe Booklet, Cuisinart AirFryer Toaster Oven,” TOA-60, Cuisinart, IB-14326-EPS-B, 2019, pp. 1-74.

Ninja, “Foodie Digital Air Fry Oven—Owner’s Guide, SP100 Series,” NinjaKitchen, SP100\_Series\_IB\_E\_F\_S\_MP\_Mv5, 2019, pp. 1-29.

Wikipedia, [online]; [retrieved on Mar. 3, 2020]; retrieved from the Internet [https://en.wikipedia.org/wiki/Phase-fired\\_controllerWikipedia](https://en.wikipedia.org/wiki/Phase-fired_controllerWikipedia), “Phase-fired controller,” Wikipedia, Aug. 4, 2019, pp. 1-3.

Wikipedia, [online]; [retrieved on Mar. 3, 2020]; retrieved from the Internet [https://en.wikipedia.org/wiki/Zero\\_crossingWikipedia](https://en.wikipedia.org/wiki/Zero_crossingWikipedia), “Zero Crossing,” Wikipedia, Jun. 8, 2019, pp. 1-2.

\* cited by examiner

*Primary Examiner* — Catherine S Posthauer  
(74) *Attorney, Agent, or Firm* — Mintz Levin Cohn Ferris Glovsky and Popeo, PC; Lisa Adams

### (57) CLAIM

The ornamental design for an oven, as shown and described.

### DESCRIPTION

FIG. 1 is a perspective view of an oven, showing our new design;  
FIG. 2 is a front view thereof;  
FIG. 3 is a rear view thereof;  
FIG. 4 is a side view thereof;  
FIG. 5 is another side view thereof;  
FIG. 6 is a top view thereof; and,  
FIG. 7 is a bottom view thereof.

The broken lines are shown for the purpose of illustrating parts of the article that form no part of the claimed design.

**1 Claim, 6 Drawing Sheets**

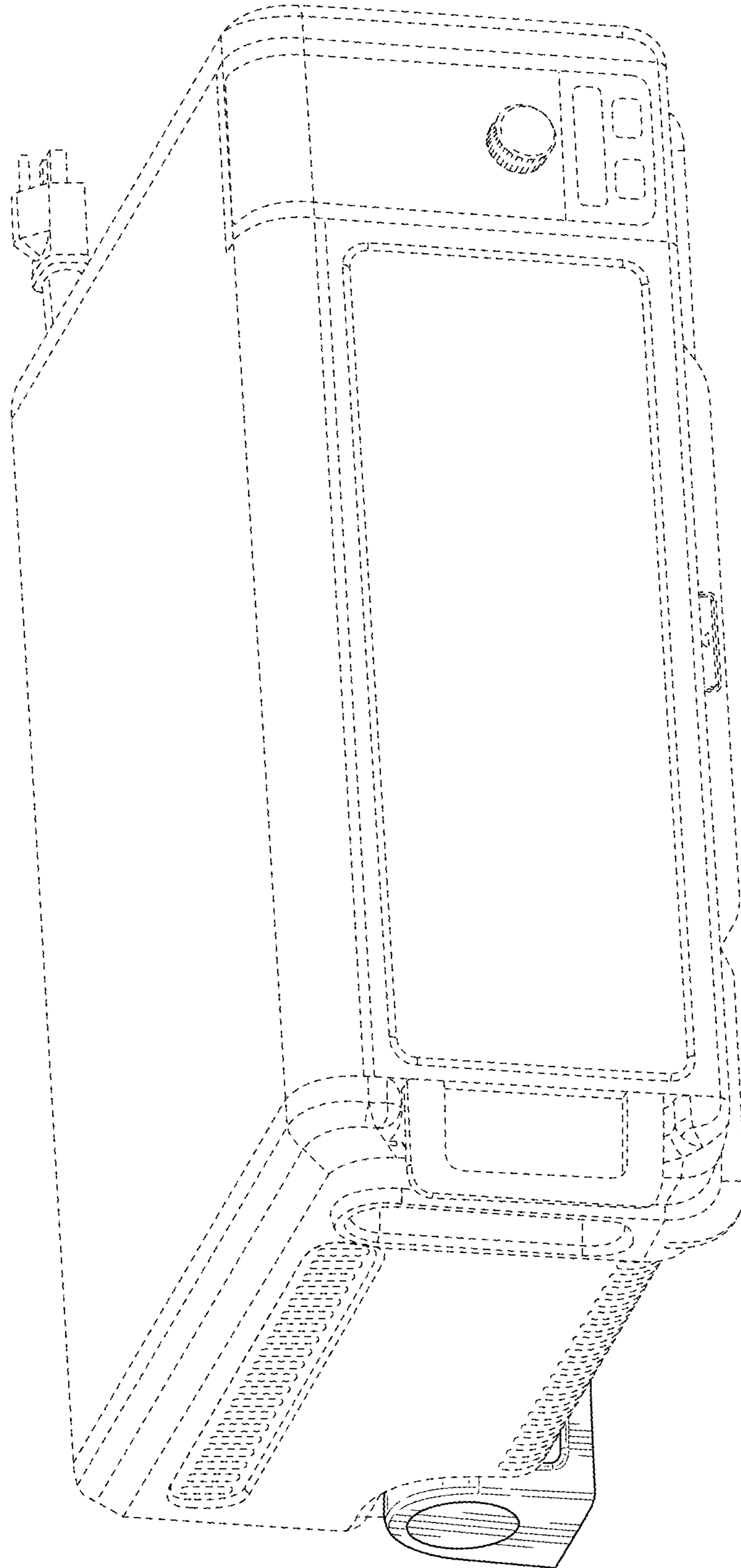


FIG. 1

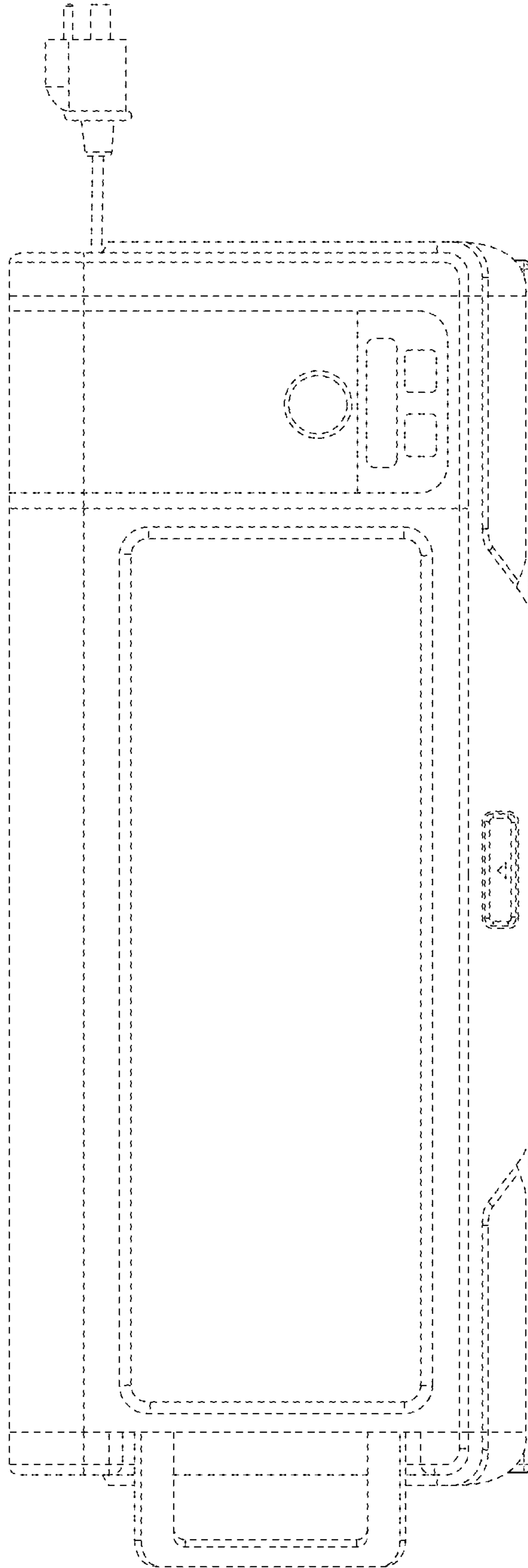


FIG. 2

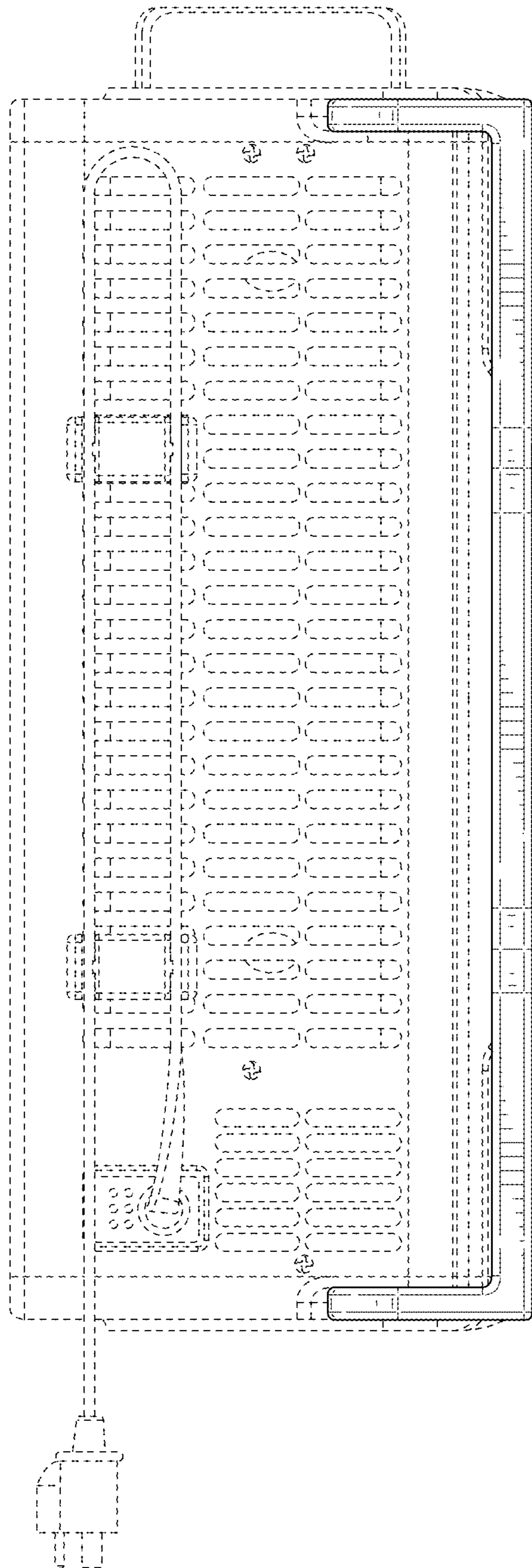


FIG. 3

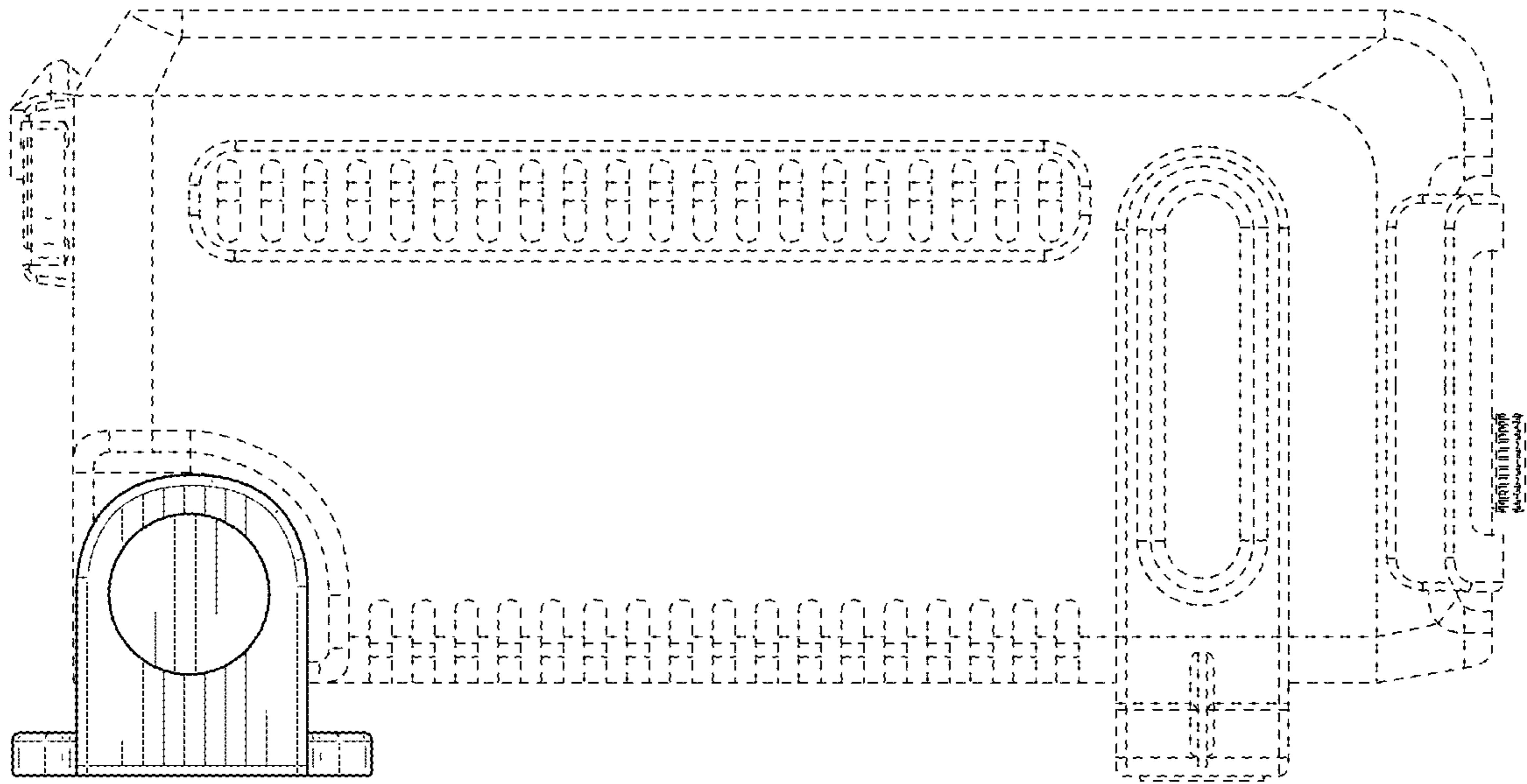


FIG. 4

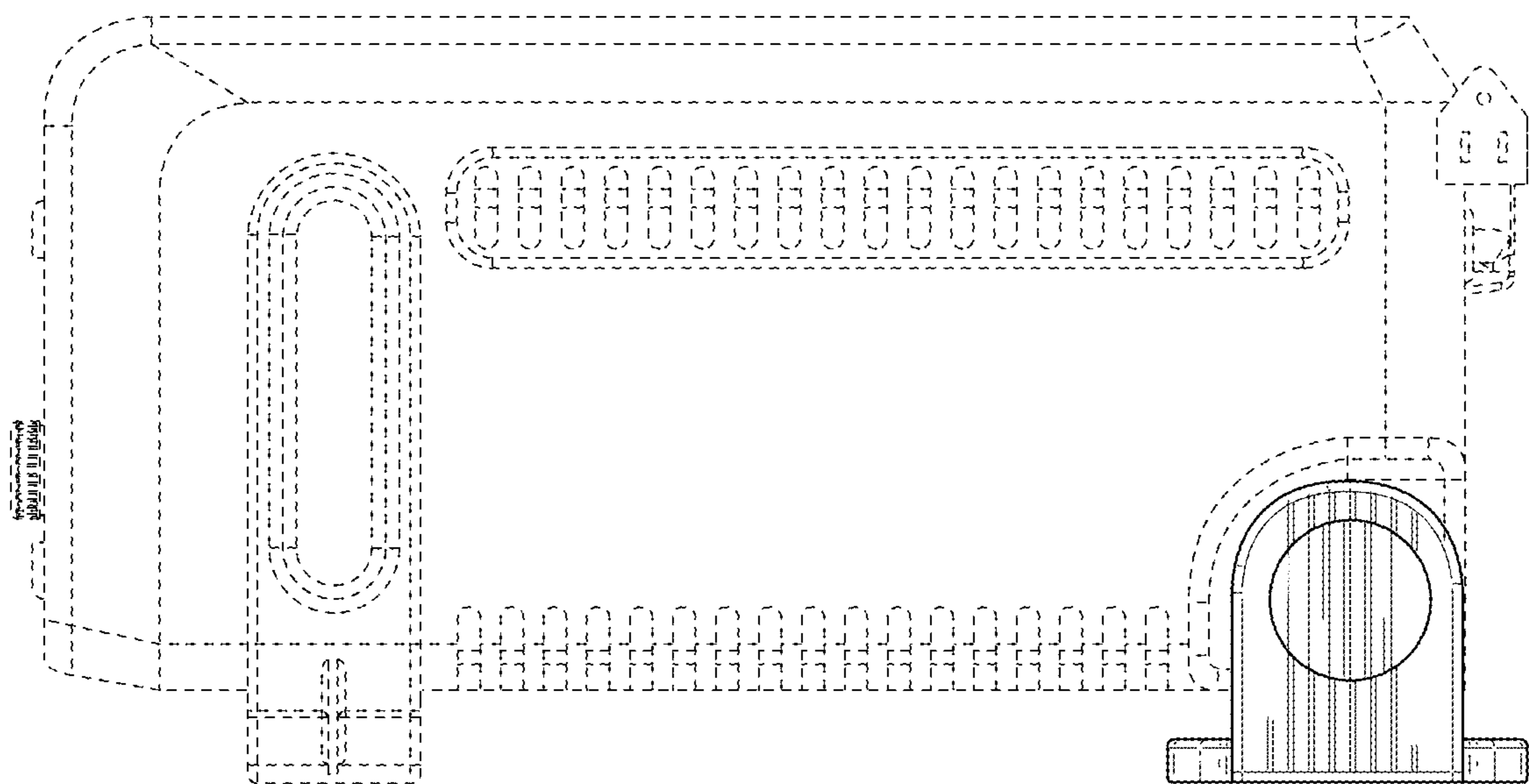


FIG. 5

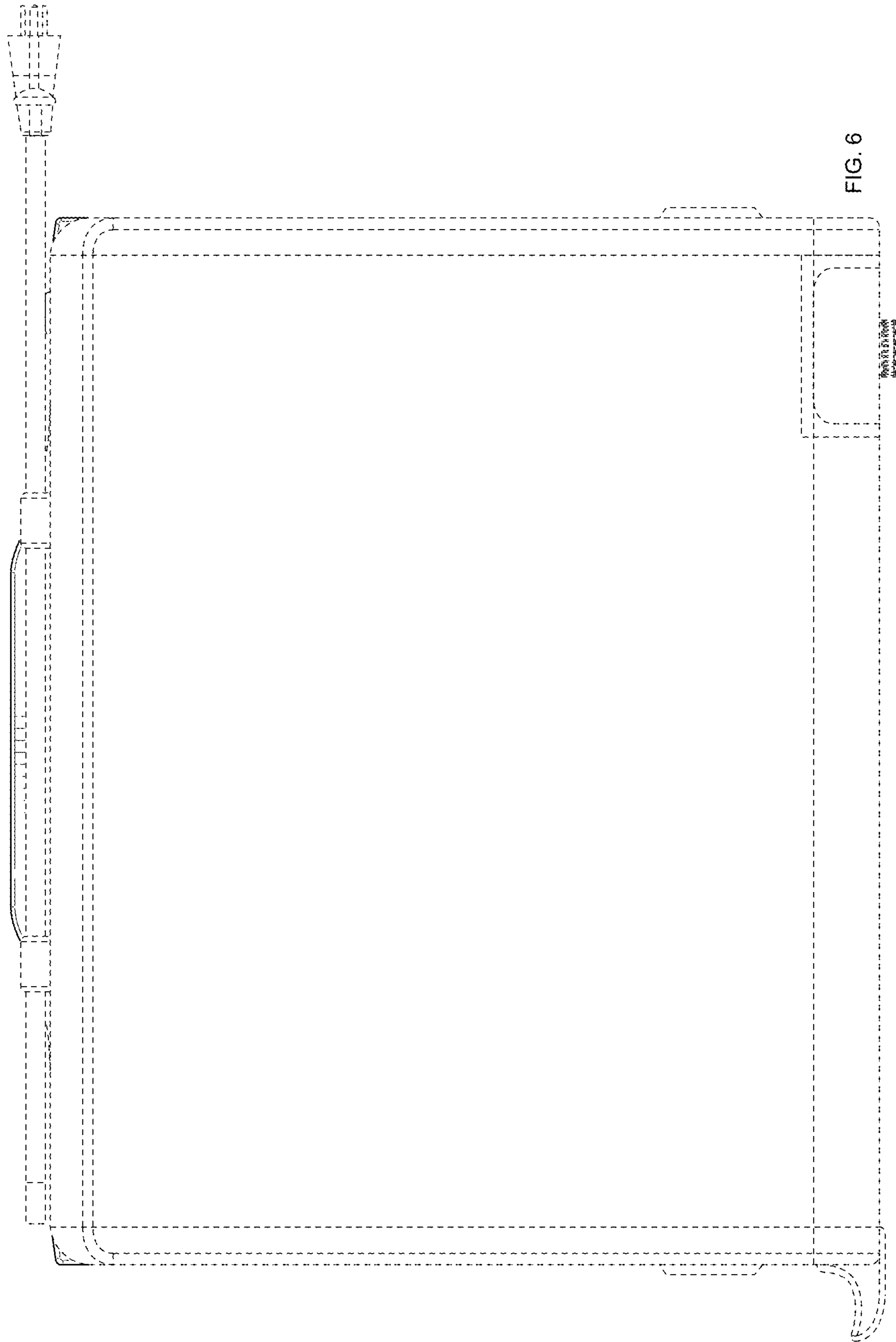


FIG. 6

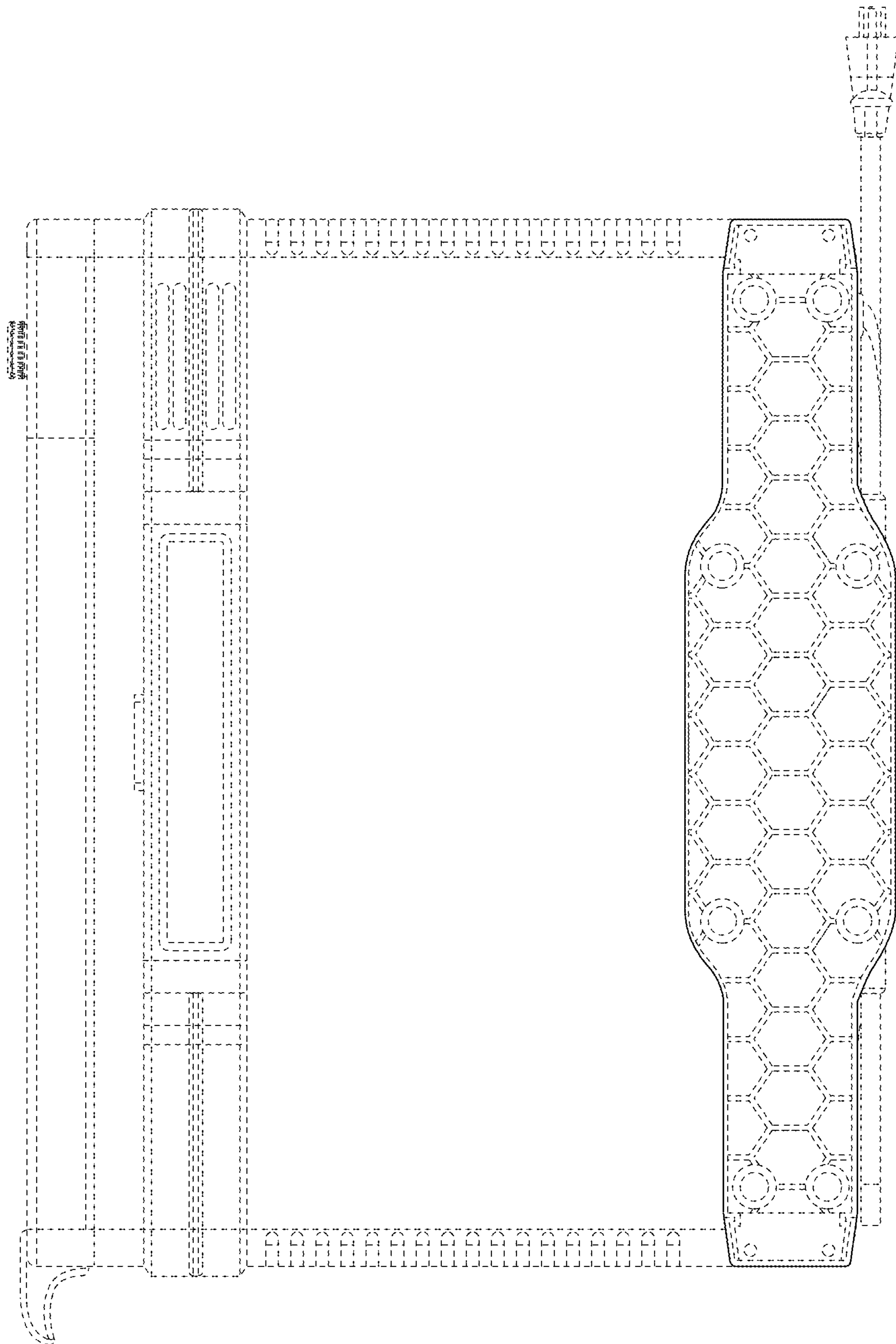


FIG. 7