



US00D977295S

(12) **United States Design Patent**
Dash et al.

(10) **Patent No.:** **US D977,295 S**
(45) **Date of Patent:** **** Feb. 7, 2023**

(54) **COOKING APPLIANCE**
(71) Applicant: **StoreBound LLC**, New York, NY (US)
(72) Inventors: **Evan Marc Dash**, New York, NY (US);
Shelby Scott, New York, NY (US);
Catherine-Gail Reinhard, Brooklyn,
NY (US)
(73) Assignee: **STOREBOUND LLC**

D504,047 S 4/2005 Schmidt et al.
D543,073 S * 5/2007 Rich D7/410
D543,410 S * 5/2007 Cohen A47J 37/0611
D7/352
7,285,751 B2 * 10/2007 Li A47J 37/0629
219/524
7,752,958 B2 7/2010 Cohen et al.
D625,546 S * 10/2010 Henry D7/354
D642,008 S 7/2011 Lavy et al.
D642,420 S 8/2011 Lavy et al.

(Continued)

(**) Term: **15 Years**
(21) Appl. No.: **29/834,055**
(22) Filed: **Apr. 8, 2022**

OTHER PUBLICATIONS

Dash Mini Waffle Maker. Date First Available on Amazon.com Aug. 9, 2021. <https://www.amazon.com/Individual-Chaffles-Non-Stick-Surfaces-Halloween/dp/B09C6JDT6B/ref> (Year: 2021).*

(Continued)

Related U.S. Application Data

(63) Continuation of application No. 29/743,895, filed on Jul. 24, 2020.
(51) **LOC (14) Cl.** **07-02**
(52) **U.S. Cl.**
USPC **D7/352**; D7/410
(58) **Field of Classification Search**
USPC D7/323, 328-330, 337, 347, 352-364,
D7/367, 402, 409-411
CPC . A21B 5/023; A47J 27/60; A47J 27/62; A47J
37/04; A47J 37/06; A47J 37/067; A47J
37/0605; A47J 37/0611; A47J 37/0623;
A47J 37/0629; A47J 37/0676; A47J
2037/06; A47J 2037/0611; F24C 15/10;
F24C 15/102; H05B 6/02; H05B 6/062
See application file for complete search history.

Primary Examiner — Ricky Pham
(74) *Attorney, Agent, or Firm* — Belles Katz LLC

(57) **CLAIM**

The ornamental design for a cooking appliance, as shown and described.

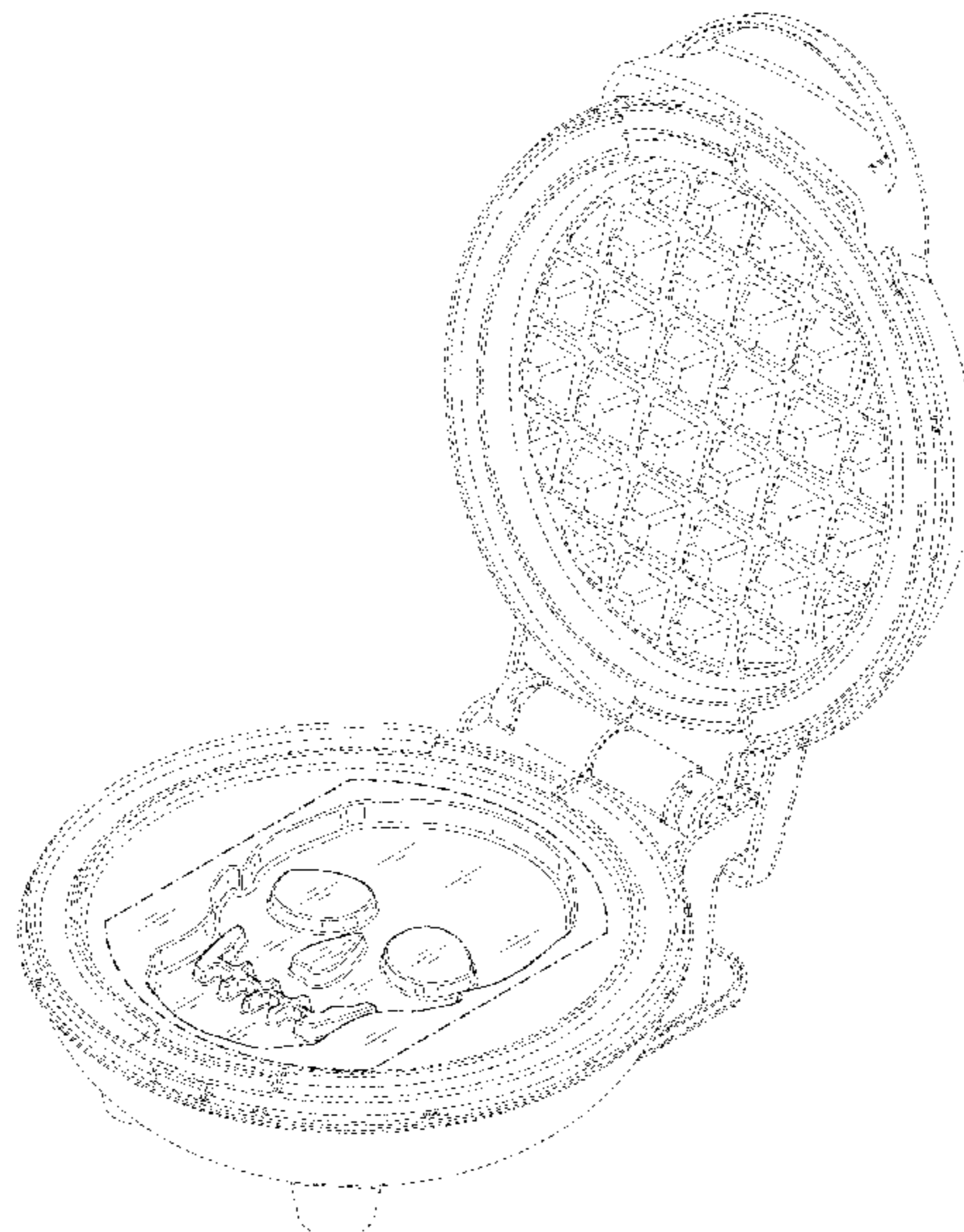
DESCRIPTION

FIG. 1 is a perspective view of a cooking appliance according to our new design;
FIG. 2 is a front view thereof;
FIG. 3 is a rear view thereof;
FIG. 4 is a right side view thereof;
FIG. 5 is a left side view thereof;
FIG. 6 is a top view thereof; and,
FIG. 7 is a bottom view thereof.
The dashed broken lines illustrate portions of the cooking appliance that form no part of the claimed design. The dot-dash broken lines illustrate the bounds of the claim and form no part of the claimed design.

(56) **References Cited**
U.S. PATENT DOCUMENTS

1,947,124 A * 2/1934 Clauss A47J 37/0611
425/188
D347,548 S 6/1994 Boehm et al.
5,809,871 A 9/1998 Arathoon

1 Claim, 7 Drawing Sheets



(56)

References Cited

U.S. PATENT DOCUMENTS

D643,673 S 8/2011 Lavy et al.
 D643,676 S 8/2011 Lavy et al.
 D643,677 S 8/2011 Lavy et al.
 D643,678 S 8/2011 Lavy et al.
 D648,594 S * 11/2011 Bray D7/352
 D657,608 S 4/2012 Lavy et al.
 D657,609 S 4/2012 Lavy et al.
 D669,299 S 10/2012 Lavy et al.
 D669,301 S 10/2012 Lavy et al.
 D699,302 S 2/2014 Mimlitch, III et al.
 D702,484 S 4/2014 Endres et al.
 8,692,164 B2 4/2014 Krishnan et al.
 9,820,609 B2 * 11/2017 Fast A47J 37/0611
 D842,640 S * 3/2019 Iori D7/352
 D869,237 S * 12/2019 Owczarski D7/409
 D929,791 S 9/2021 Bradshaw et al.
 2006/0201333 A1 9/2006 Friel, Sr. et al.
 2007/0186785 A1 8/2007 Cohen et al.

OTHER PUBLICATIONS

Food Network website, <https://www.foodnetwork.com/how-to/packages/shopping/articles/non-boring-waffle-makers-to-make-breakfast-even-better>, retrieved Jun. 17, 2020, pp. 1-11.
 SPY website, <https://spy.com/articles/lifestyle/food-drink/top-rated-waffle-makers-189179/>, retrieved Jun. 17, 2020, pp. 1-9.
 Serious Eats website, <https://www.serioseats.com/2009/03/farm-shapes-waffle-iron.html>, retrieved Jun. 17, 2020, pp. 1.
 Shopdisney website, <https://www.shopdisney.com/frozen-2-snowflake-waffle-maker-655772019059.html>, retrieved Jun. 17, 2020, pp. 1-3.
 King5 website, <https://www.king5.com/article/news/nation-now/20-wild-waffle-makers-you-didnt-know-you-could-buy/465-5dda3969-017f-4250-ad23-6193db0016c7>, retrieved Jun. 17, 2020, pp. 1-13.
 Forkly website, <https://www.forkly.com/food-trends/10-creative-fun-waffle-makers/>, retrieved Jun. 17, 2020, pp. 1-4.
 Mommy High Five website, <https://www.mommyhighfive.com/top-character-waffle-makers-kids/>, retrieved Jun. 17, 2020, pp. 1-16.
 The Nibble website, <https://www.thenibble.com/reviews/main/cereals/pancake-glossary6.asp>, retrieved Jun. 17, 2020, pp. 1-3.

* cited by examiner

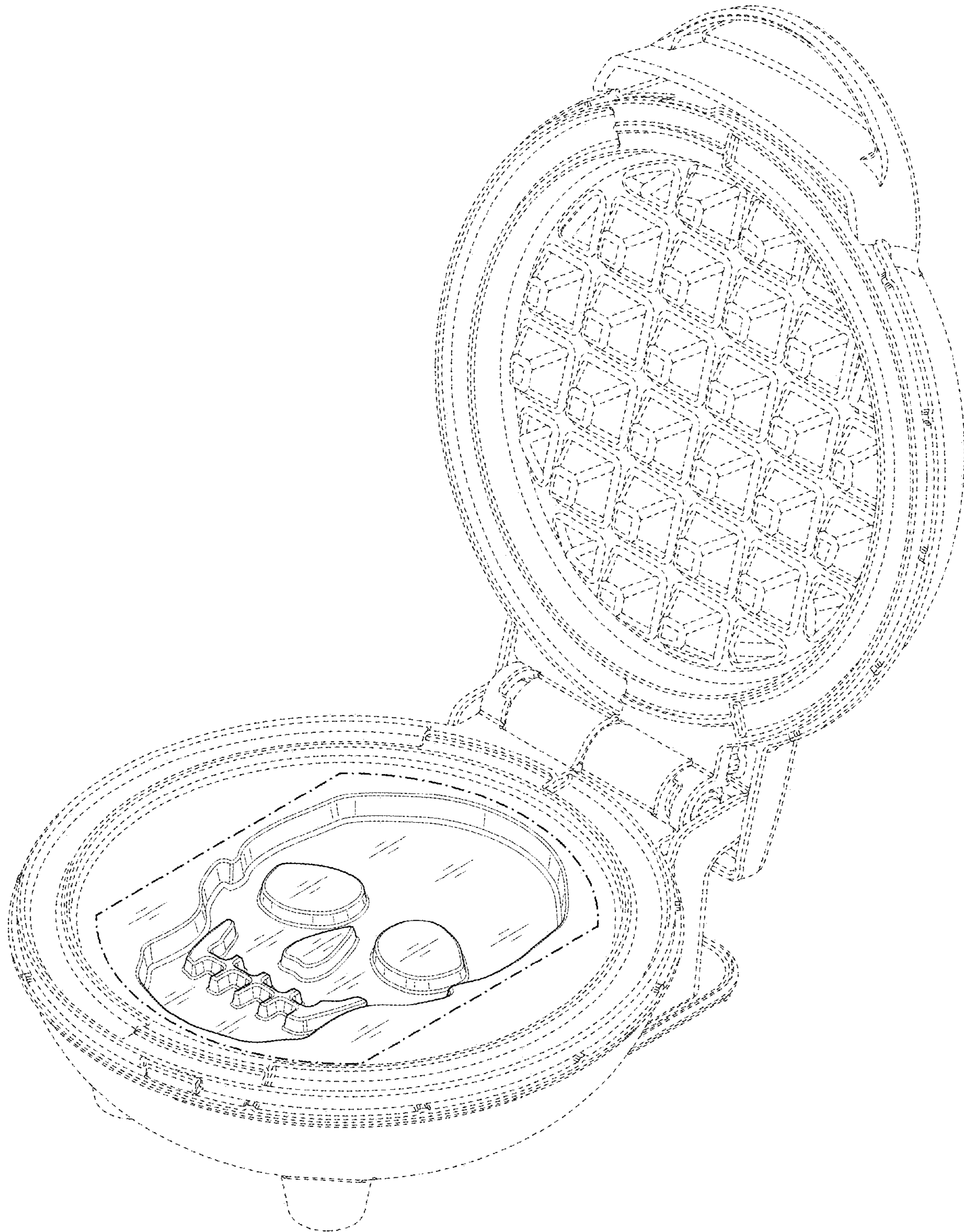


FIG. 1

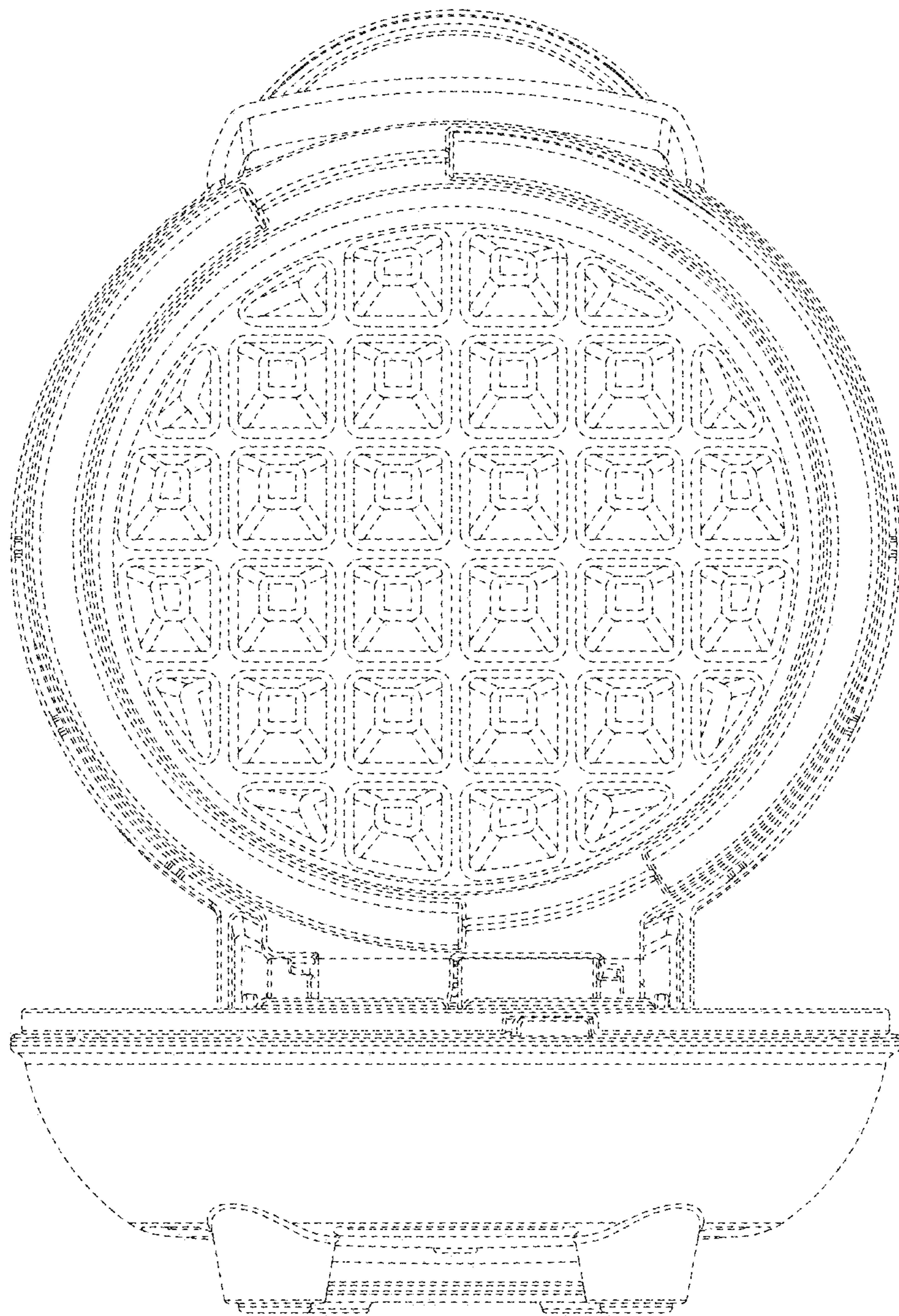


FIG. 2

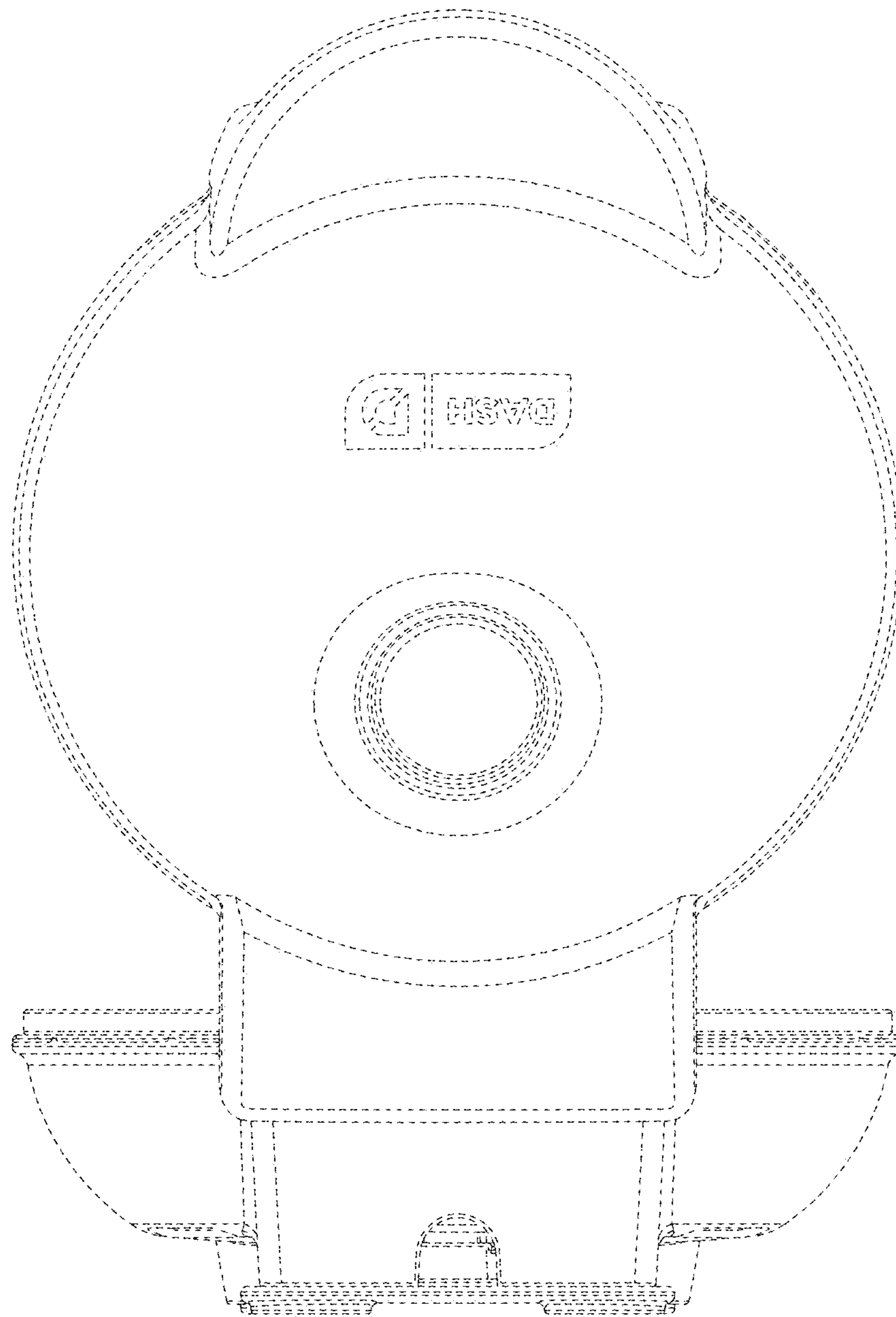


FIG. 3

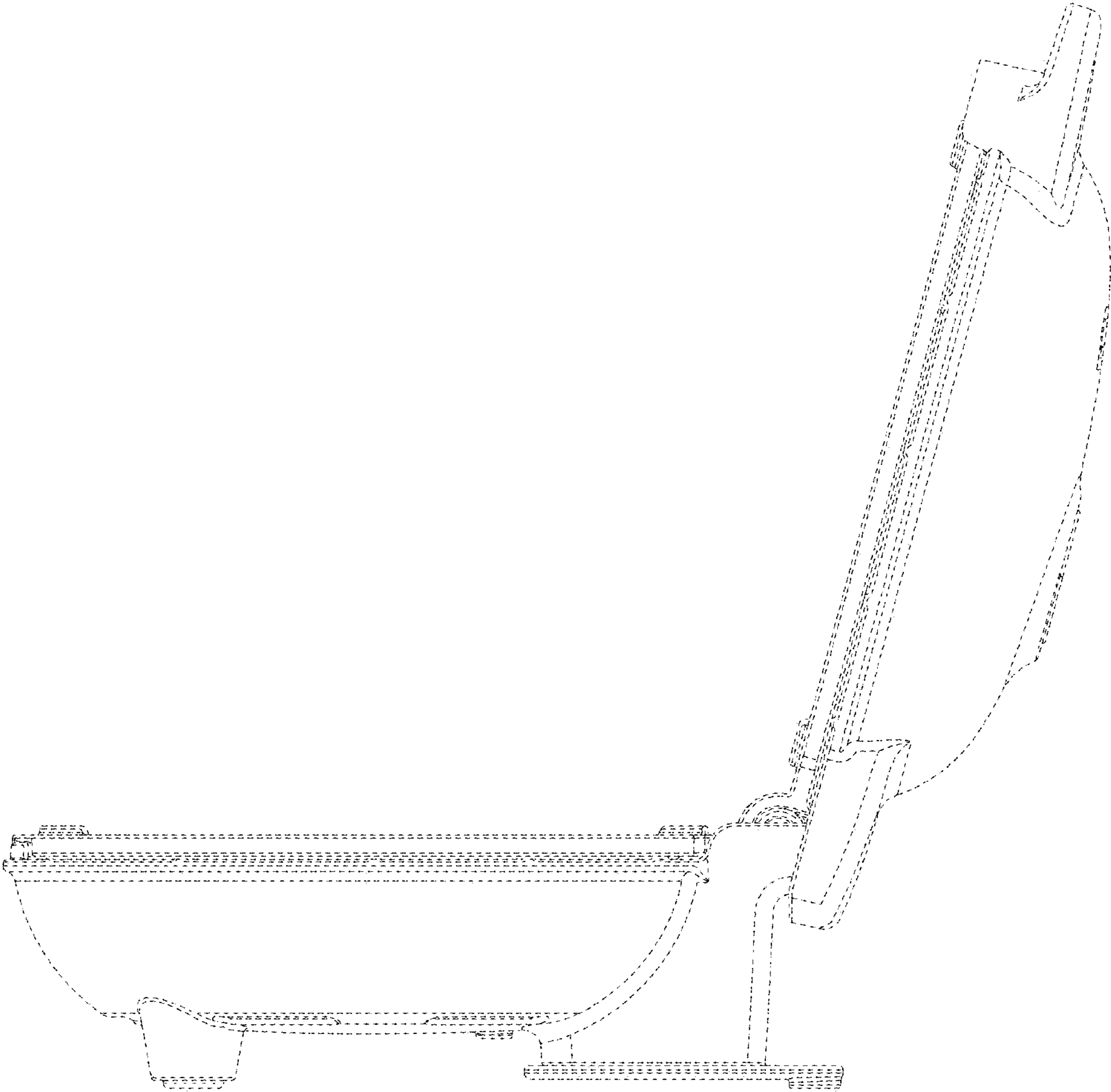


FIG. 4

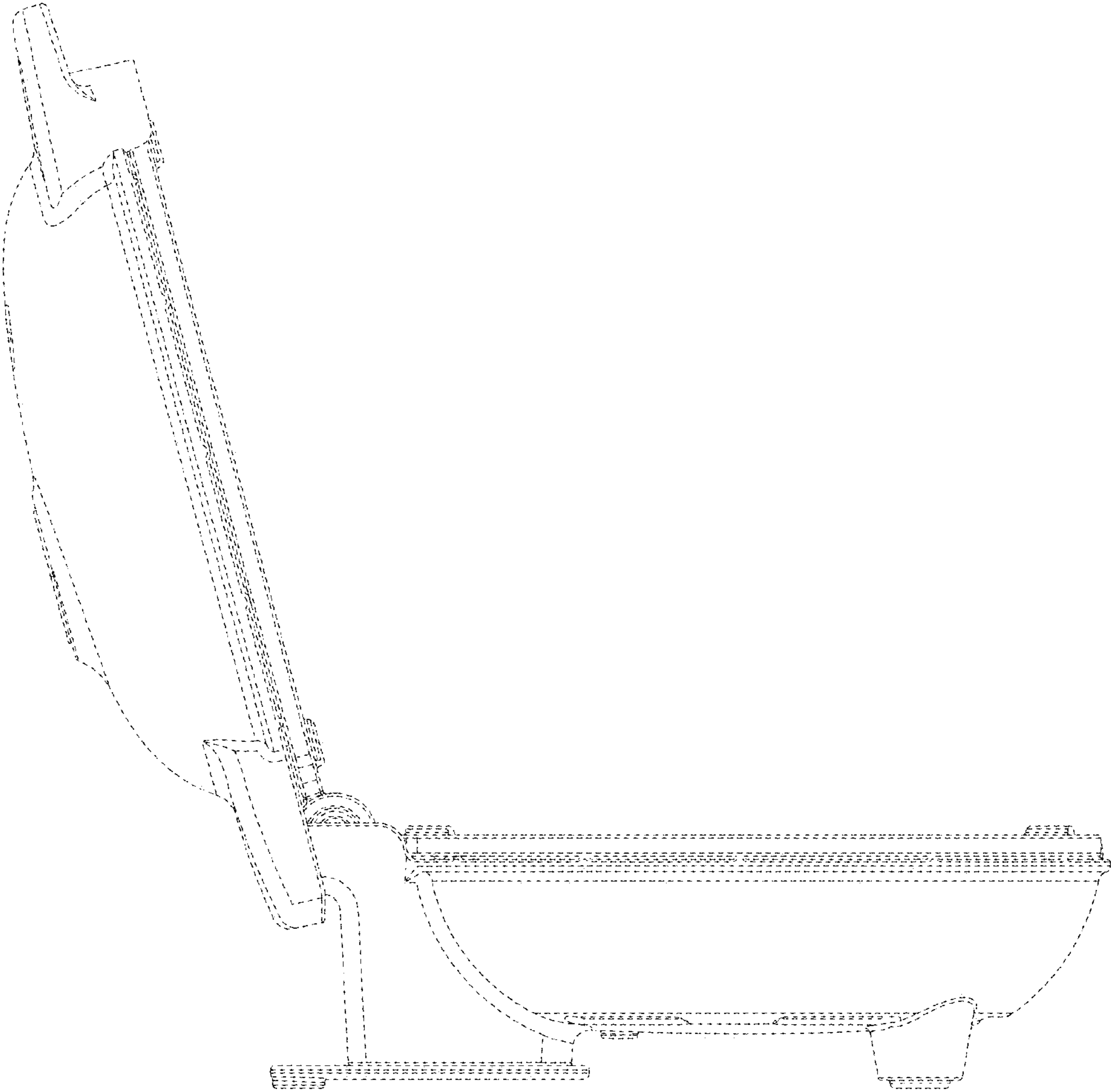


FIG. 5

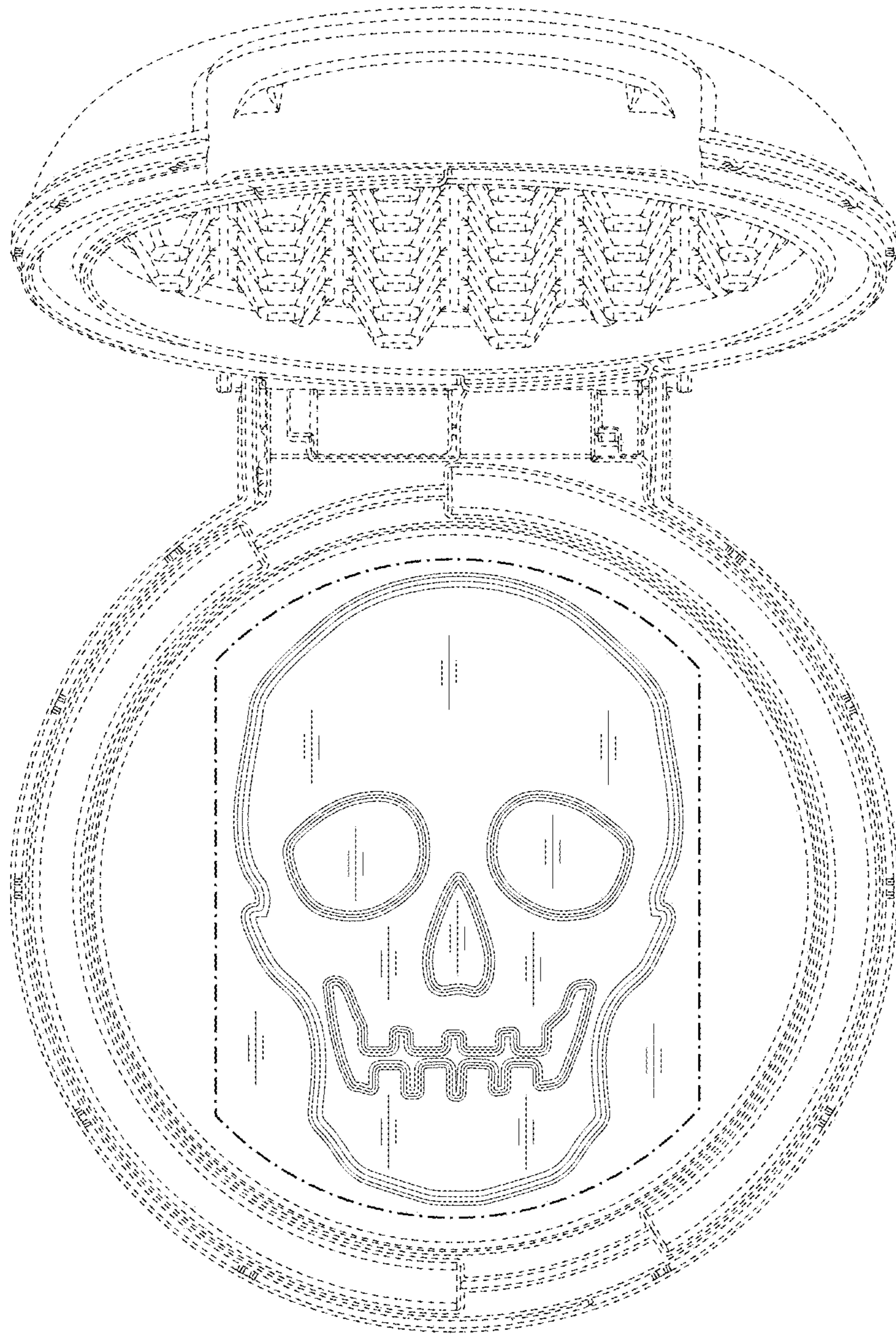


FIG. 6

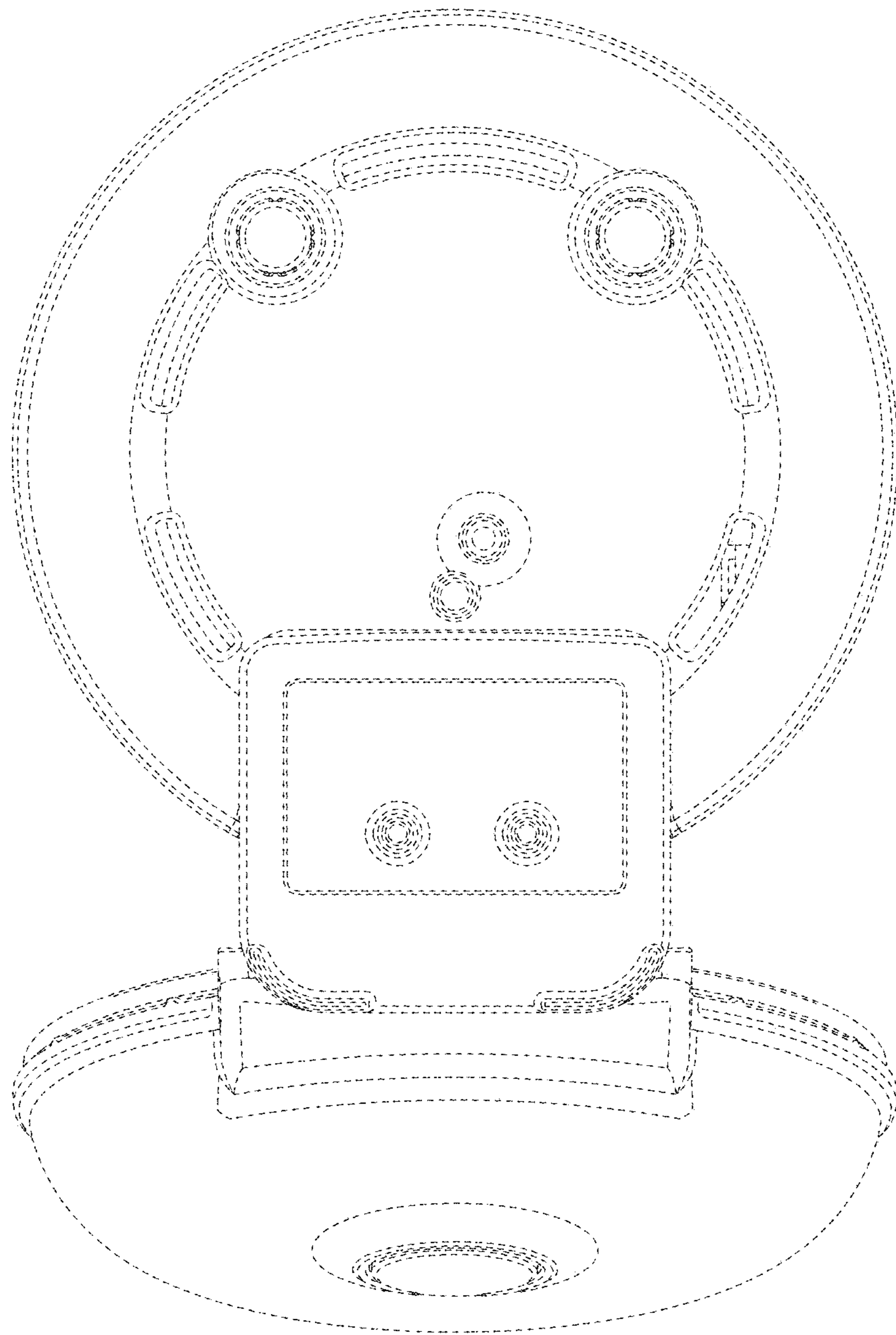


FIG. 7