



US00D977294S

(12) **United States Design Patent** (10) **Patent No.:** **US D977,294 S**
Zhang et al. (45) **Date of Patent:** **** Feb. 7, 2023**

(54) **COOKING APPLIANCE**
(71) Applicant: **StoreBound LLC**, New York, NY (US)
(72) Inventors: **Yiyang Zhang**, Shenzhen (CN); **Shelby Scott**, New York, NY (US); **Evan Marc Dash**, New York, NY (US)

D669,299 S 10/2012 Lavy et al.
D669,300 S 10/2012 Lavy et al.
D669,301 S 10/2012 Lavy et al.
D669,302 S 10/2012 Lavy et al.
D677,513 S 3/2013 Blacken
(Continued)

(73) Assignee: **StoreBound LLC**
(**) Term: **15 Years**

FOREIGN PATENT DOCUMENTS

CN 306009021 * 8/2020
GB 6083830 * 2/2020

(21) Appl. No.: **29/749,390**

OTHER PUBLICATIONS

(22) Filed: **Sep. 4, 2020**
(51) **LOC (14) Cl.** **07-02**
(52) **U.S. Cl.**
USPC **D7/352**

Oster Belgian Waffle Maker, posted at Amazon.com on May 5, 2003, [site visited Mar. 4, 2022]. Available from internet, URL: <<https://www.amazon.com/Oster-Belgian-Waffle-Stainless-CKSTWF2000-1AM/dp/B00A1MEP6M>> (Year: 2003).*
(Continued)

(58) **Field of Classification Search**
USPC D7/323, 328, 329, 337, 347, 352, 353, D7/354, 355, 356, 357, 358, 359, 360, D7/361, 362, 363, 364, 402, 409, 410
CPC A21D 13/45; A21D 13/36; A21D 13/44; A21D 13/47; A21B 5/02; A21B 5/023; A21B 5/04; A47J 29/00; A47J 29/02; A47J 29/04; A47J 29/06; A47J 37/0611; A47J 43/20

Primary Examiner — Andrew Kerr
Assistant Examiner — Chariton Alexakis
(74) *Attorney, Agent, or Firm* — Belles Katz LLC

See application file for complete search history.

(57) **CLAIM**

The ornamental design for a cooking appliance, as shown and described.

(56) **References Cited**

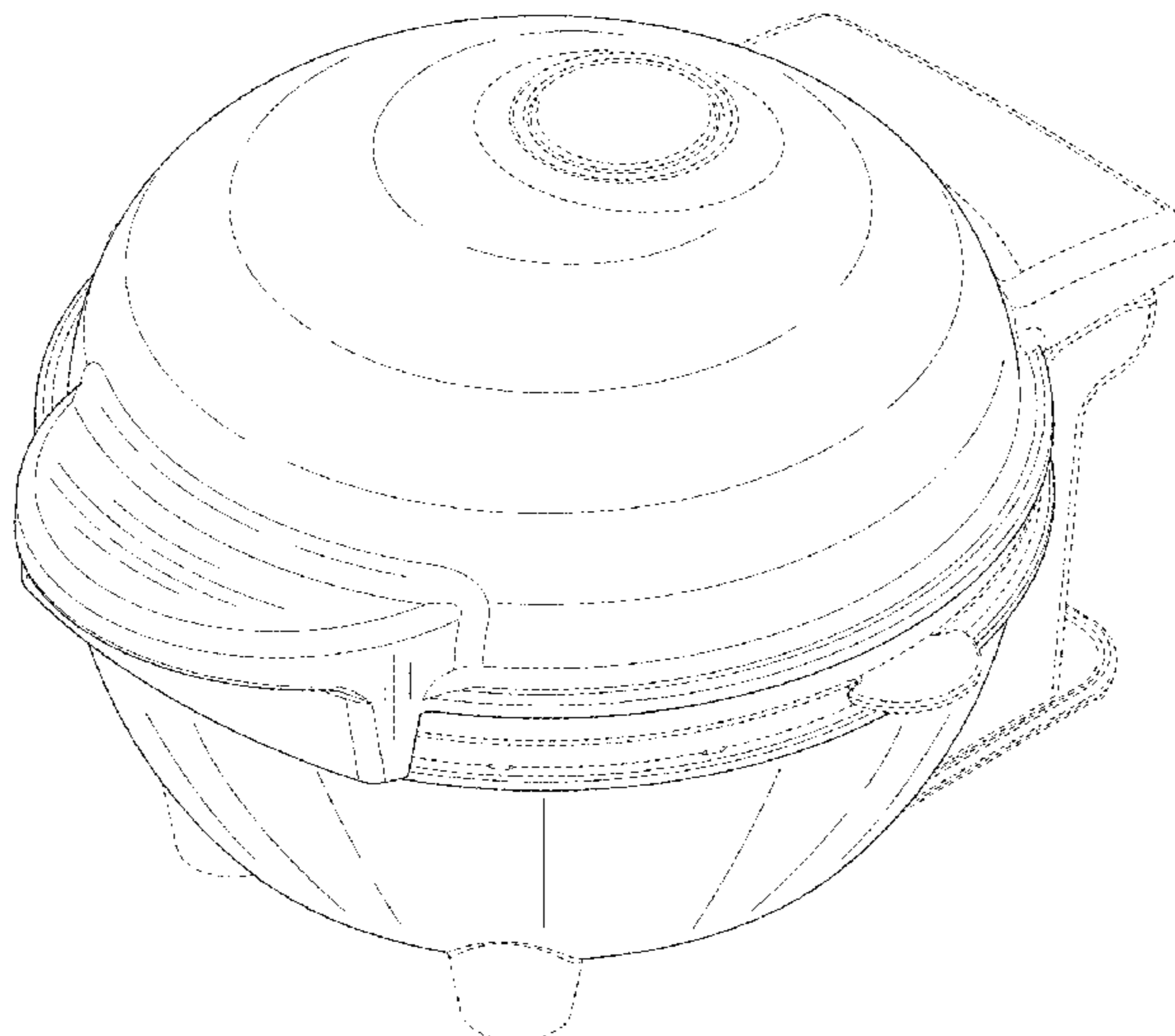
DESCRIPTION

U.S. PATENT DOCUMENTS

D32,386 S * 3/1900 Rutherford D7/672
2,354,240 A * 7/1944 Young A47J 37/0611
99/378
2,890,317 A * 6/1959 Savignac A47J 37/0611
99/383
4,165,855 A * 8/1979 Mason, Jr. A47J 36/027
D7/672
D467,766 S 12/2002 Wanat et al.
D513,923 S * 1/2006 Krasne D7/358
D543,073 S 5/2007 Rich
D636,218 S 4/2011 France et al.
D661,540 S * 6/2012 Facey D7/354

FIG. 1 is a top front perspective view of a cooking appliance according to our new design;
FIG. 2 is a bottom rear perspective view thereof;
FIG. 3 is a front view thereof;
FIG. 4 is a rear view thereof;
FIG. 5 is a right side view thereof;
FIG. 6 is a left side view thereof;
FIG. 7 is a top view thereof; and,
FIG. 8 is a bottom view thereof.
The broken lines in the drawings illustrate portions of the cooking appliance that form no part of the claimed design.

1 Claim, 8 Drawing Sheets



(56)

References Cited

U.S. PATENT DOCUMENTS

| | | | | | |
|--------------|------|---------|-------------|-------|------------------------|
| D688,083 | S * | 8/2013 | Crick | | D7/402 |
| D693,625 | S * | 11/2013 | Facey | | D7/354 |
| D697,361 | S * | 1/2014 | Kim | | D7/354 |
| D714,091 | S * | 9/2014 | Brandani | | A47J 37/0664 D7/352 |
| D750,415 | S | 3/2016 | Marsh-Croft | | |
| D795,059 | S * | 8/2017 | Buck | | D9/428 |
| D816,994 | S * | 5/2018 | Fischer | | D3/294 |
| D818,759 | S * | 5/2018 | Choi | | A47J 43/20 D7/354 |
| D839,655 | S | 2/2019 | Hsieh | | |
| D859,057 | S | 9/2019 | Chang | | |
| D884,411 | S * | 5/2020 | Dash | | A47J 37/0611 D7/354 |
| D916,542 | S * | 4/2021 | Lee | | A47J 36/027 D7/352 |
| D946,969 | S * | 3/2022 | Lin | | D7/352 |
| D951,695 | S * | 5/2022 | Quarless | | A47G 19/28 D7/354 |
| 2005/0223907 | A1 * | 10/2005 | Albritton | | A47J 43/20 99/372 |
| 2017/0049267 | A1 * | 2/2017 | Zhan | | A47J 37/0611 |
| 2020/0187711 | A1 * | 6/2020 | De' Longhi | | A47J 37/0664 |
| 2021/0244228 | A1 * | 8/2021 | Dash | | A47J 37/0611 |

OTHER PUBLICATIONS

Babycakes Multi Treat Baker, posted at Amazon.com on Mar. 1, 2014, [site visited Mar. 4, 2022]. Available from internet, URL: <<https://www.amazon.com/Baby-Cakes-MT-6-Babycakes-Multi-Treat/dp/B00GJ9MA2W/>> (Year: 2014).*

Tintin Waffle Maker, posted at Amazon.com on Jun. 12, 2020, [site visited Mar. 4, 2022]. Available from internet, URL: <<https://www.amazon.com/dp/B08B44CHLS/>> (Year: 2020).*

Dash Mini Bundt Maker, posted at kohls.com (date not available), [site visited Mar. 4, 2022]. Available from internet, URL: <<https://www.kohls.com/product/prd-4518281/>> (Year: NA) (Year: NA).*

Dash website, <https://bydash.com/products/mini-pie-maker>, retrieved Aug. 19, 2020, pp. 1-3.

Amazon website, <https://www.amazon.com/Dash-Mini-Maker-Individual-Breakfast/dp/B010TCP3S>, retrieved Sep. 3, 2020, pp. 1-11.

Target website, <https://www.target.com/p/dash-mini-bundt-maker-aqua/-/A-80177942>, retrieved Aug. 19, 2020, pp. 1-8.

Target website, <https://www.target.com/p/dash-mini-bundt-maker-aqua/-/A-80177942>, retrieved Aug. 19, 2020, pp. 1-7.

Amazon website, Amazon.com: Dash Waffle Bowl Maker: The Waffle Maker Machine for Individual Waffle Bowls, Belgian Waffles, Taco Bowls, Chicken & . . . , retrieved Aug. 19, 2020, pp. 1-11.

* cited by examiner

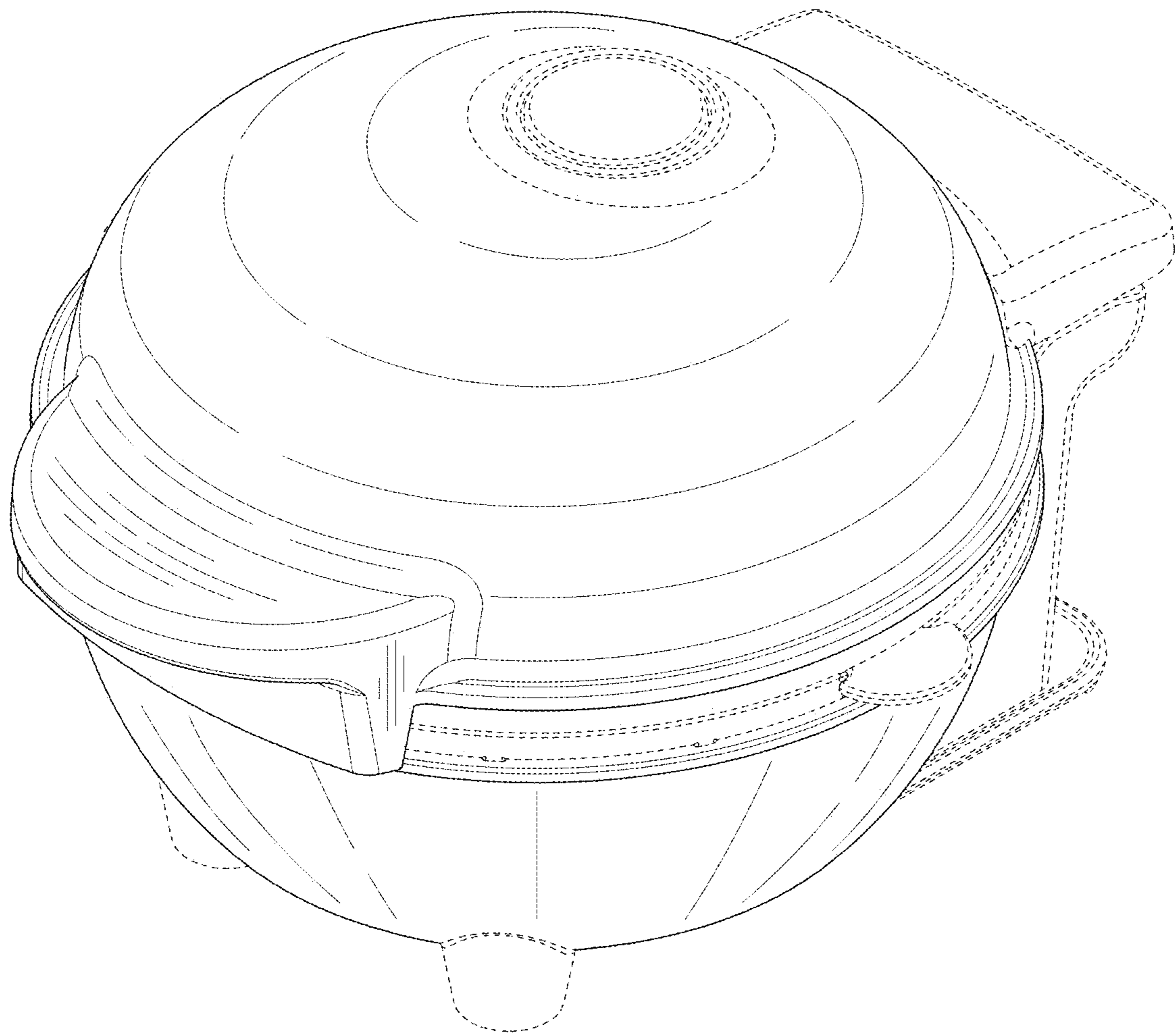


FIG. 1

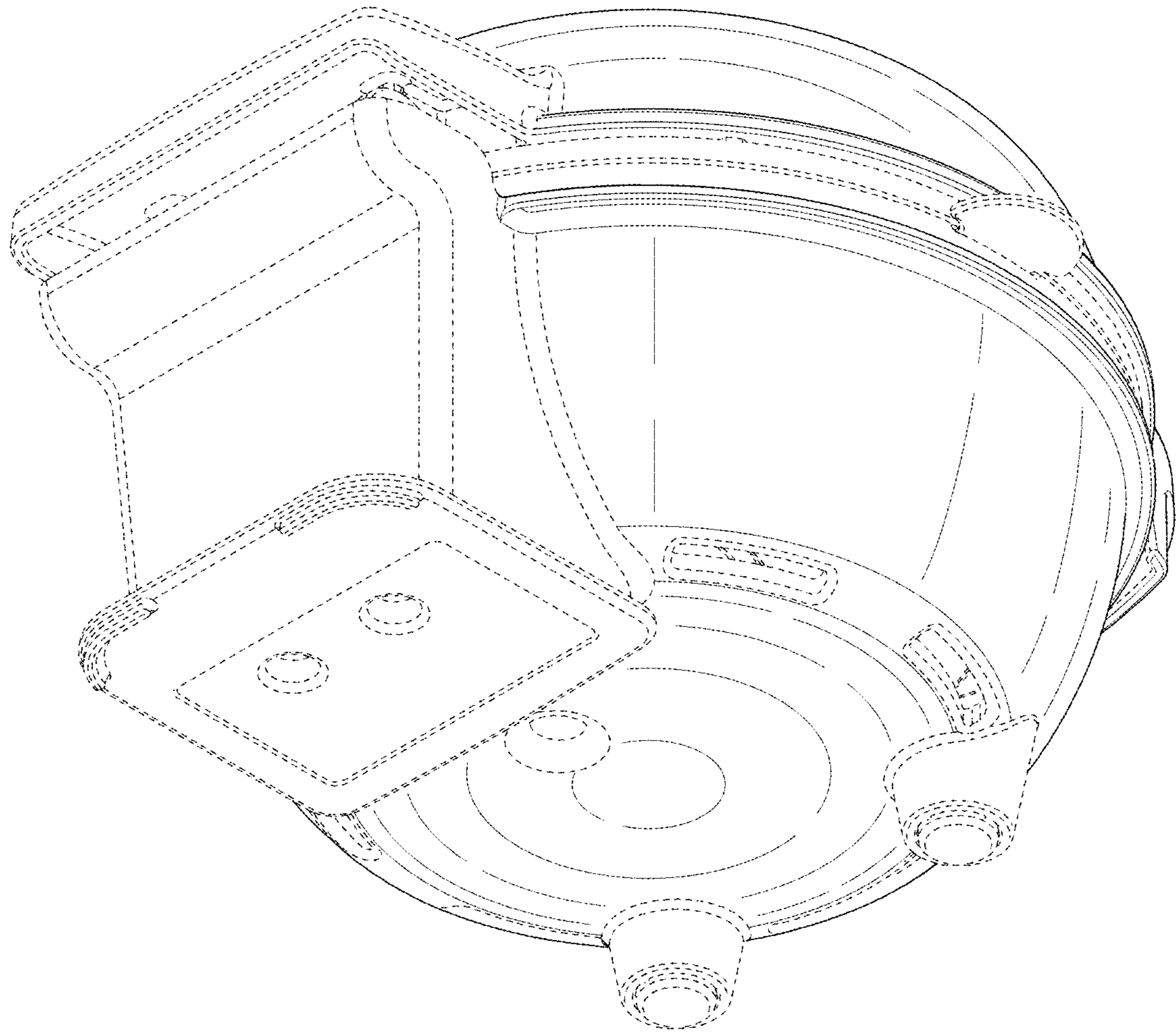


FIG. 2

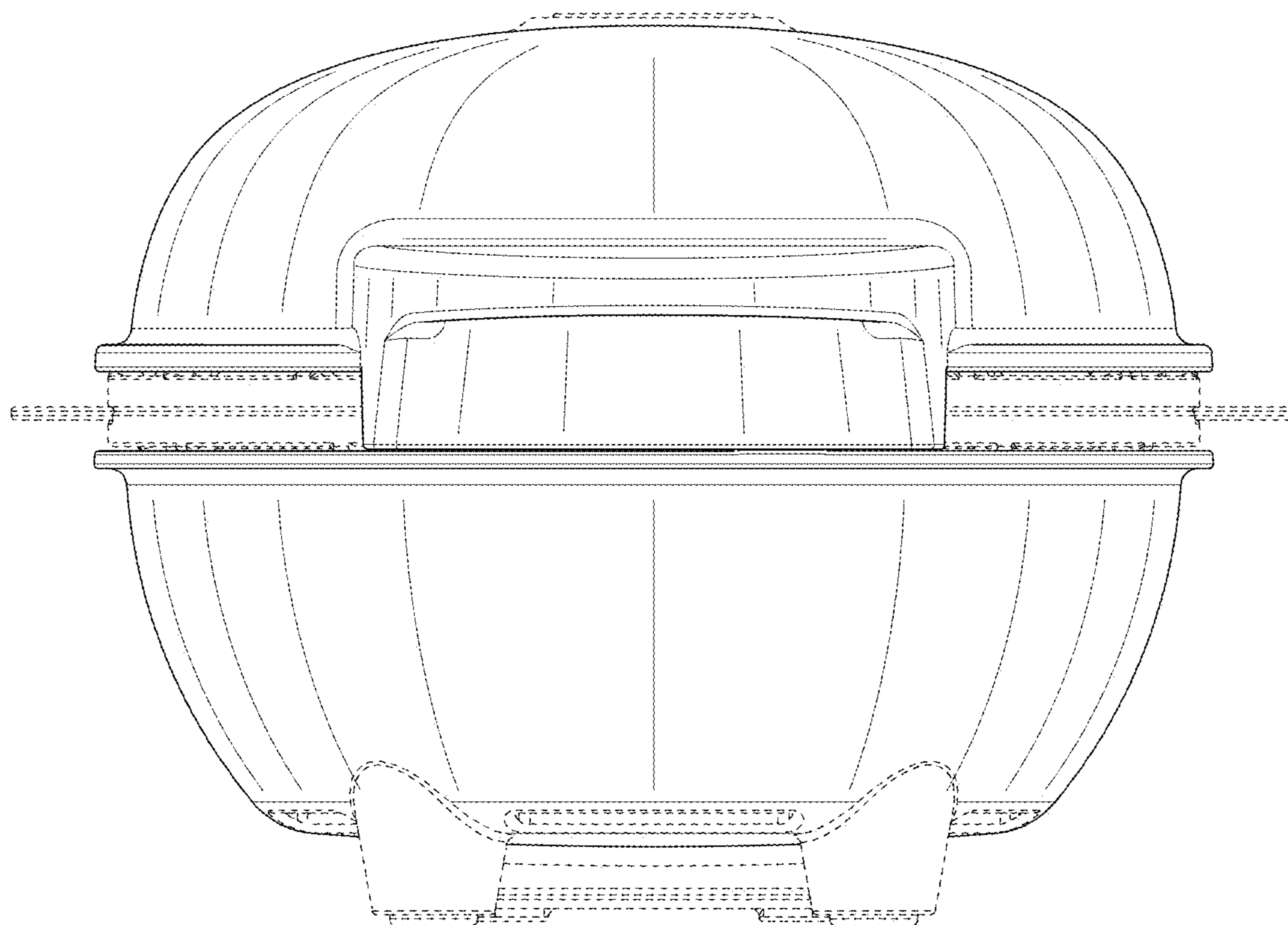


FIG. 3

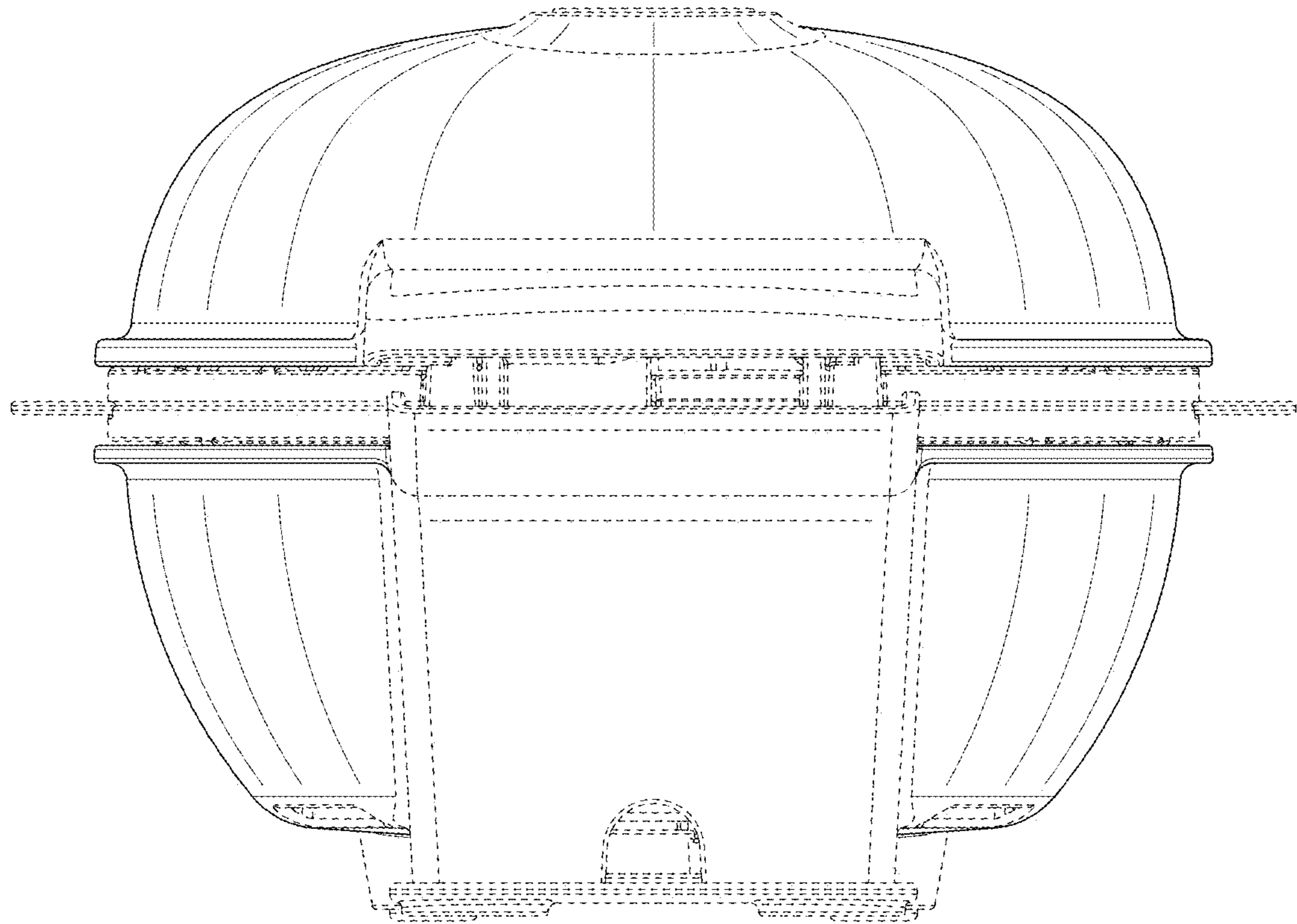


FIG. 4

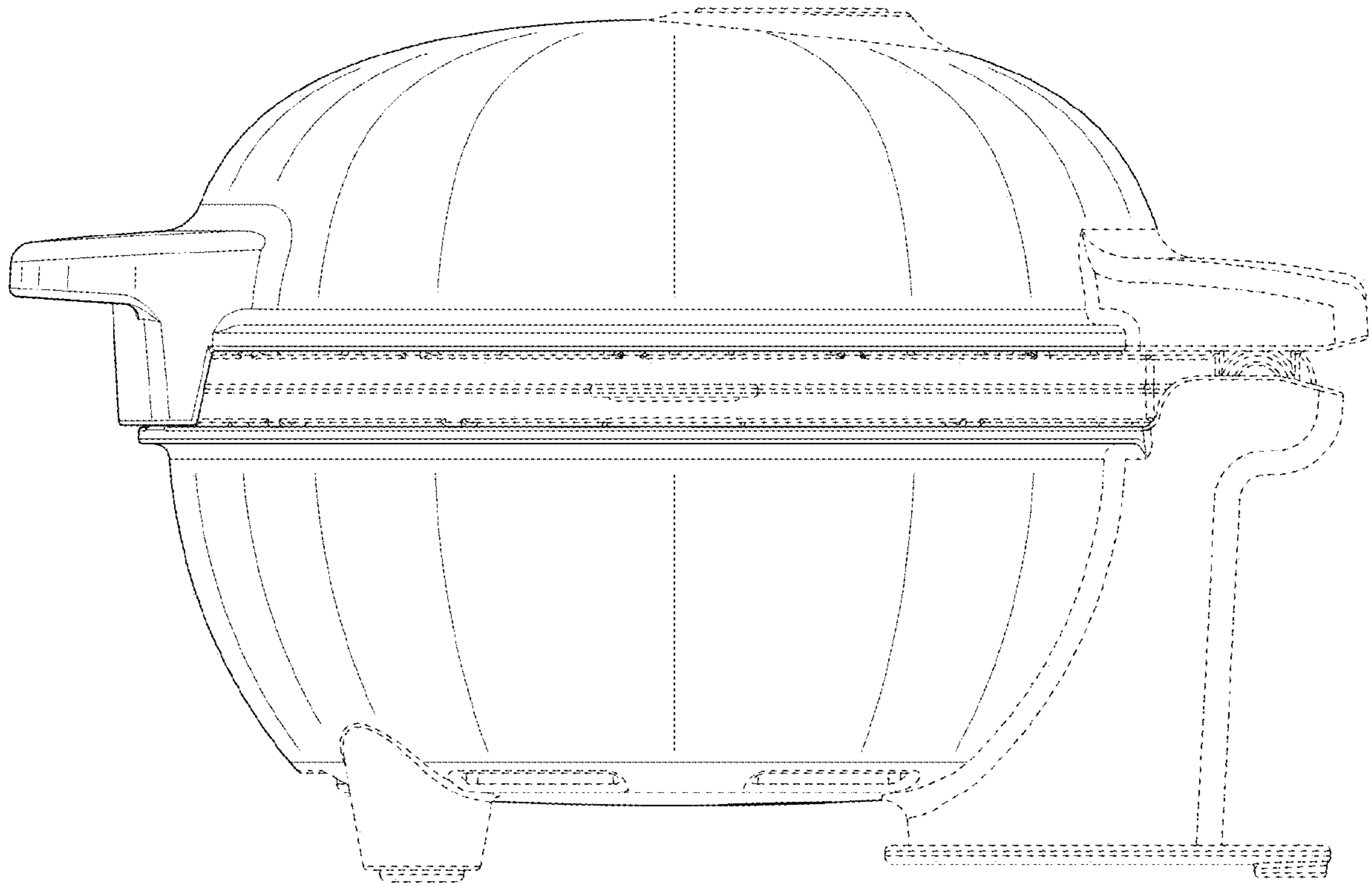


FIG. 5

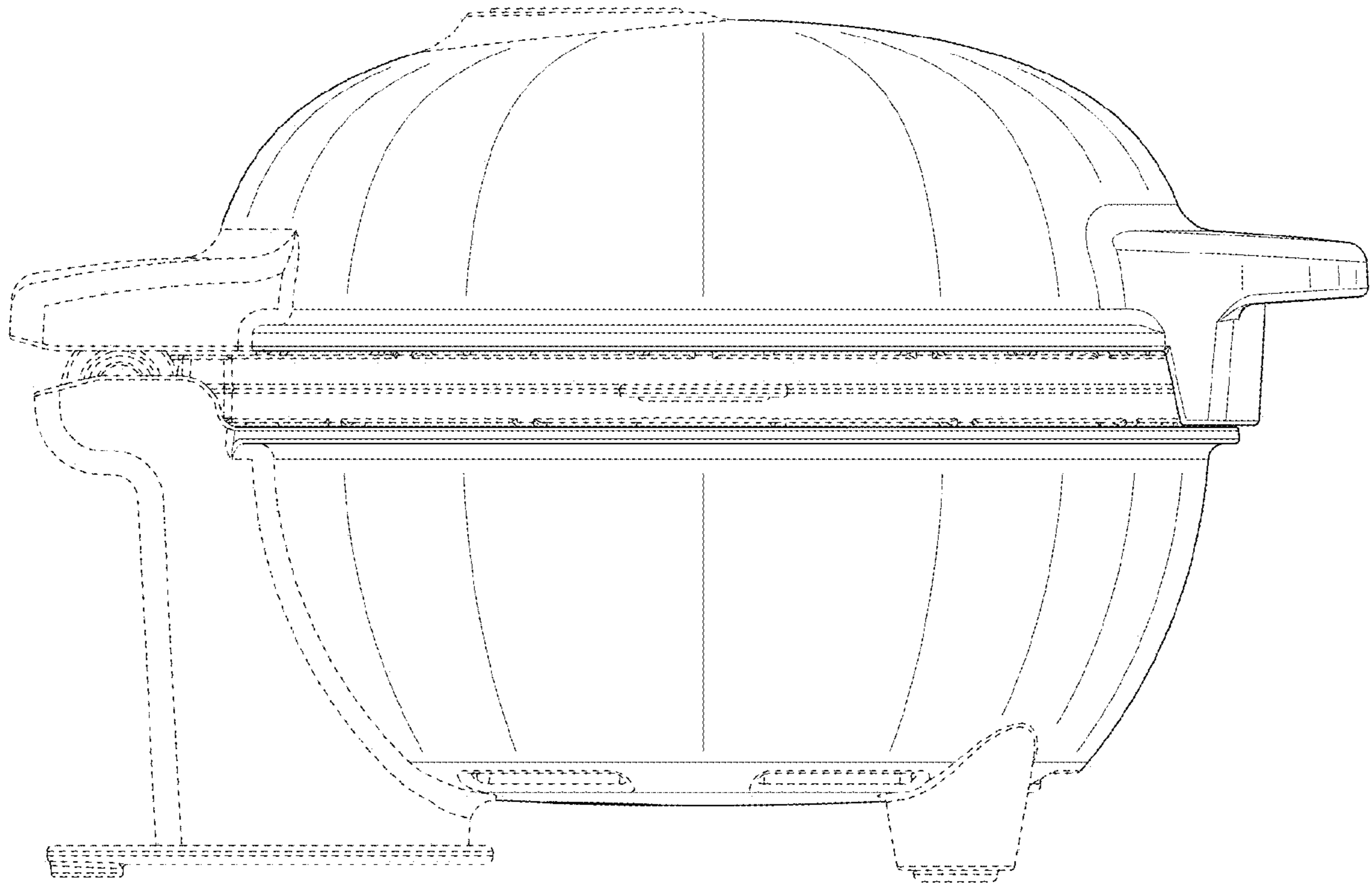


FIG. 6

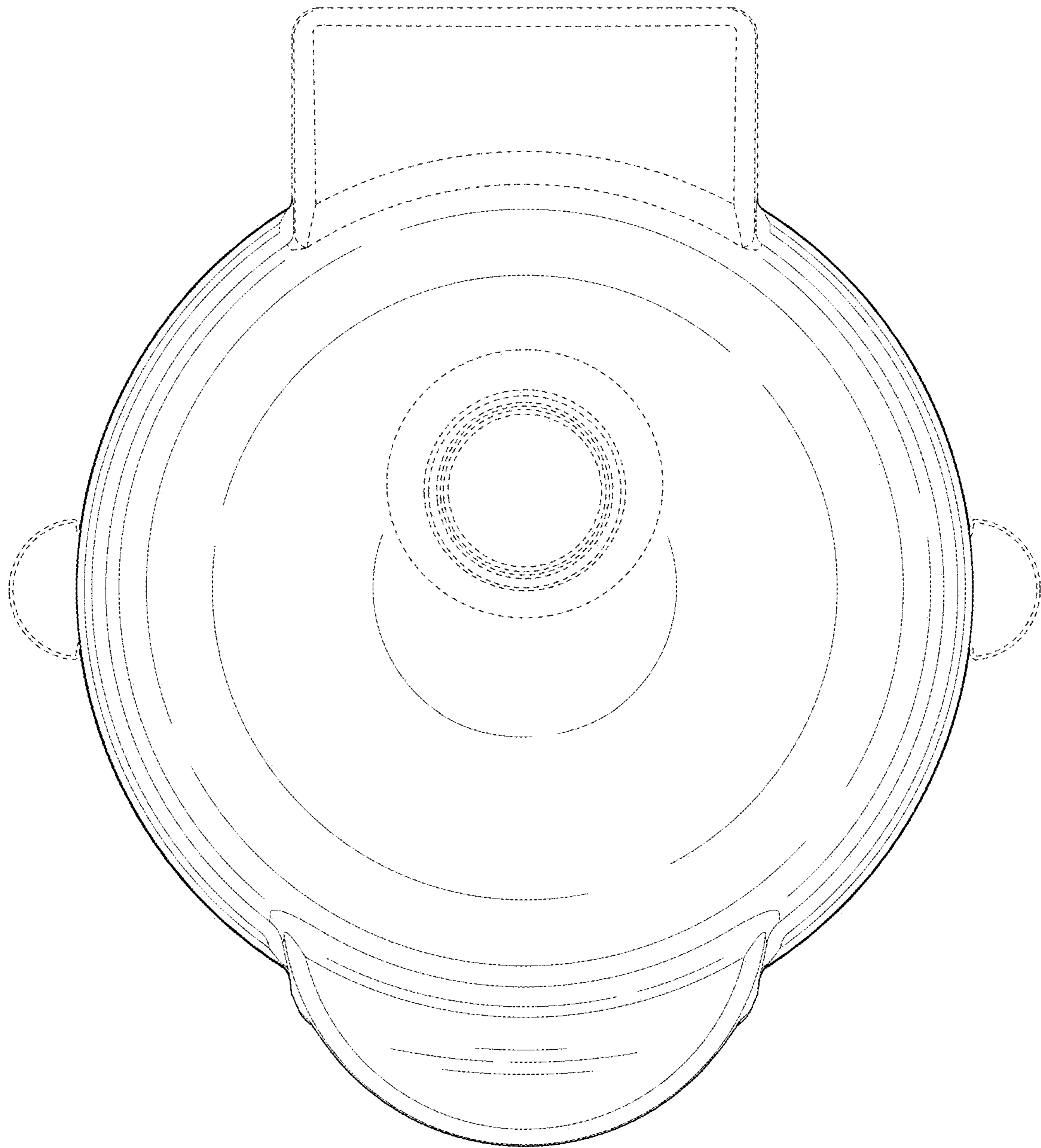


FIG. 7

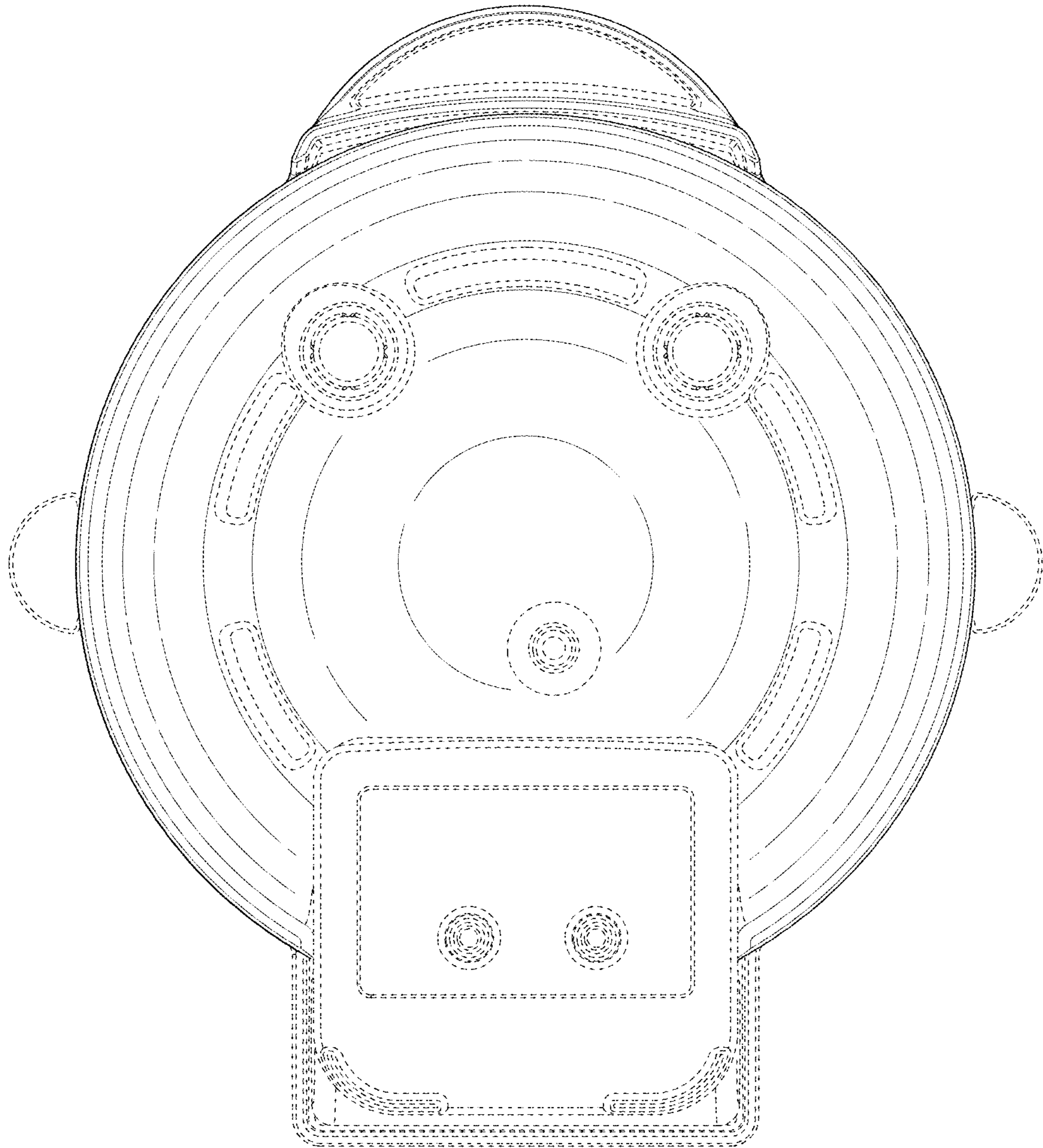


FIG. 8