



US00D977292S

(12) **United States Design Patent** (10) **Patent No.:** **US D977,292 S**  
**Kim et al.** (45) **Date of Patent:** **\*\* Feb. 7, 2023**

(54) **ELECTRIC KETTLE**  
(71) Applicant: **Samsung Electronics Co., Ltd.**,  
Suwon-si (KR)  
(72) Inventors: **Yeon-Su Kim**, Suwon-si (KR);  
**June-Hyuck Choi**, Suwon-si (KR);  
**Yeon-Young Nam**, Suwon-si (KR);  
**Gi-Sung Han**, Suwon-si (KR);  
**Bo-Kyeong Lee**, Suwon-si (KR)  
(73) Assignee: **Samsung Electronics Co., Ltd.**,  
Suwon-si (KR)  
(\*\*) Term: **15 Years**  
(21) Appl. No.: **29/794,340**  
(22) Filed: **Jun. 11, 2021**  
(30) **Foreign Application Priority Data**  
Mar. 26, 2021 (KR) ..... 30-2021-0014562  
(51) **LOC (14) Cl.** ..... **07-01**  
(52) **U.S. Cl.**  
USPC ..... **D7/318**  
(58) **Field of Classification Search**  
USPC ..... D7/302, 309, 310, 312, 316, 317, 318,  
D7/319, 320, 321, 322, 334, 397, 393,  
D7/399  
CPC ..... A47G 19/14; A47G 19/16; A47G 19/122;  
A47G 19/12; A47J 27/21; A47J 31/20;  
A47J 31/02; A47J 31/18; A47J 27/21008;  
A47J 27/21166; A47J 31/14; A47J  
27/2105; A47J 31/16; A47J 31/06; A47J  
37/0786; A47J 27/21091; A47J 27/14;  
A47J 27/022; A47J 31/303; A47J 45/078;  
A47J 45/067; A47J 27/21083; A47J  
27/21191; A47J 27/21175; A47J 27/212;  
A47J 31/053

See application file for complete search history.

(56) **References Cited**  
U.S. PATENT DOCUMENTS  
D492,879 S \* 7/2004 Allemand ..... D7/317  
D630,463 S 1/2011 Picozza et al.  
D630,882 S \* 1/2011 Cohen ..... D7/317  
D646,522 S \* 10/2011 Collinson ..... D7/378  
D691,409 S \* 10/2013 Dichraff ..... D7/317  
D738,669 S \* 9/2015 Brook ..... D7/317  
D792,737 S \* 7/2017 Stergiotis ..... D7/376  
D815,874 S \* 4/2018 Chung ..... D7/319  
D817,063 S \* 5/2018 Morton ..... D7/318  
D856,732 S \* 8/2019 Ren ..... D7/318  
D856,734 S \* 8/2019 Lee ..... D7/318  
(Continued)

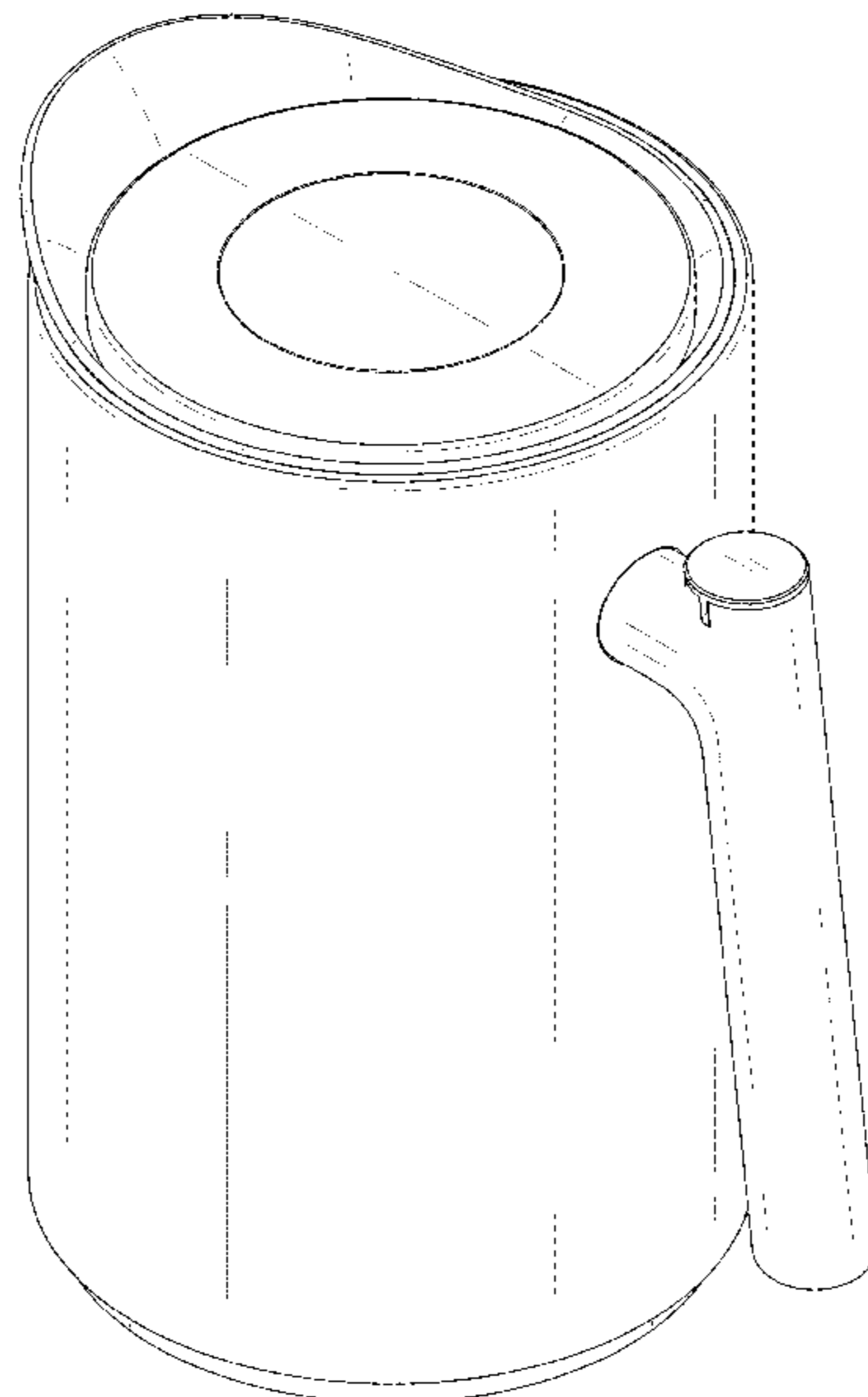
FOREIGN PATENT DOCUMENTS  
CN 201930290669.2 8/2019  
EM 007958525-0002 6/2020  
(Continued)

*Primary Examiner* — Joseph Kukella  
*Assistant Examiner* — Darryl J Dardenne  
(74) *Attorney, Agent, or Firm* — NSIP Law

(57) **CLAIM**  
We claim the ornamental design for an electric kettle, as shown and described.

**DESCRIPTION**  
FIG. 1 is a front perspective view of an electric kettle showing our new design;  
FIG. 2 is a front view thereof;  
FIG. 3 is a rear view thereof;  
FIG. 4 is a left-side view thereof;  
FIG. 5 is a right-side view thereof;  
FIG. 6 is a top view thereof; and,  
FIG. 7 is a bottom view thereof.  
The evenly dashed broken lines in the figures depict portions of the electric kettle which form no part of the claimed design.

**1 Claim, 7 Drawing Sheets**



(56)

**References Cited**

U.S. PATENT DOCUMENTS

D859,076 S \* 9/2019 Lee ..... D7/413  
D876,148 S \* 2/2020 Jing ..... D7/318  
D878,848 S \* 3/2020 Hu ..... D7/317  
D953,088 S \* 5/2022 Seo ..... D7/318  
D955,154 S \* 6/2022 Wu ..... D7/318  
D963,392 S \* 9/2022 Seo ..... D7/317  
2005/0229788 A1\* 10/2005 White ..... A47J 31/00  
99/323  
2022/0240709 A1\* 8/2022 Lee ..... A47J 27/21008

FOREIGN PATENT DOCUMENTS

WO DM/200 986 1/2019  
WO DM/207 839 9/2019

\* cited by examiner

FIG. 1

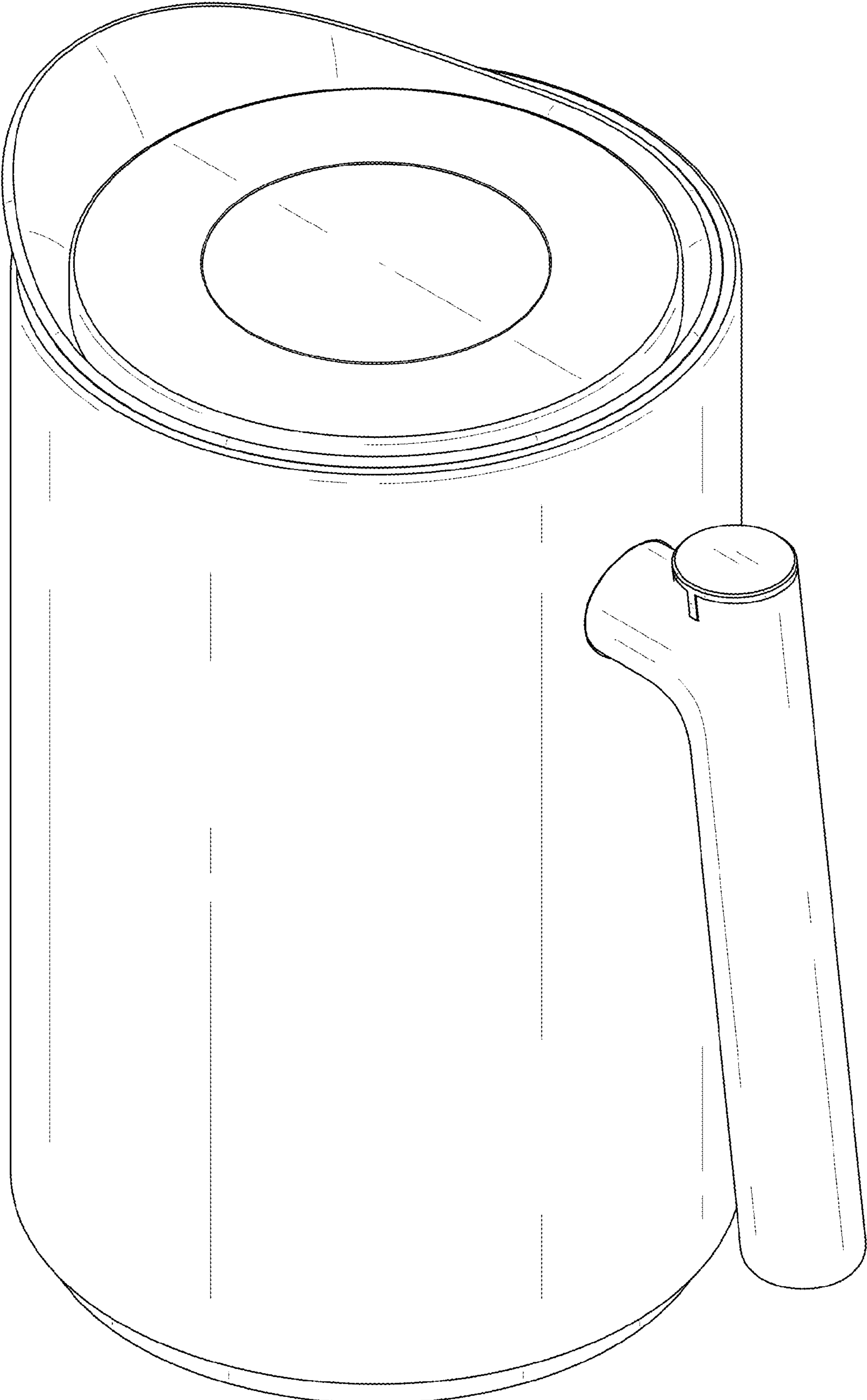


FIG. 2

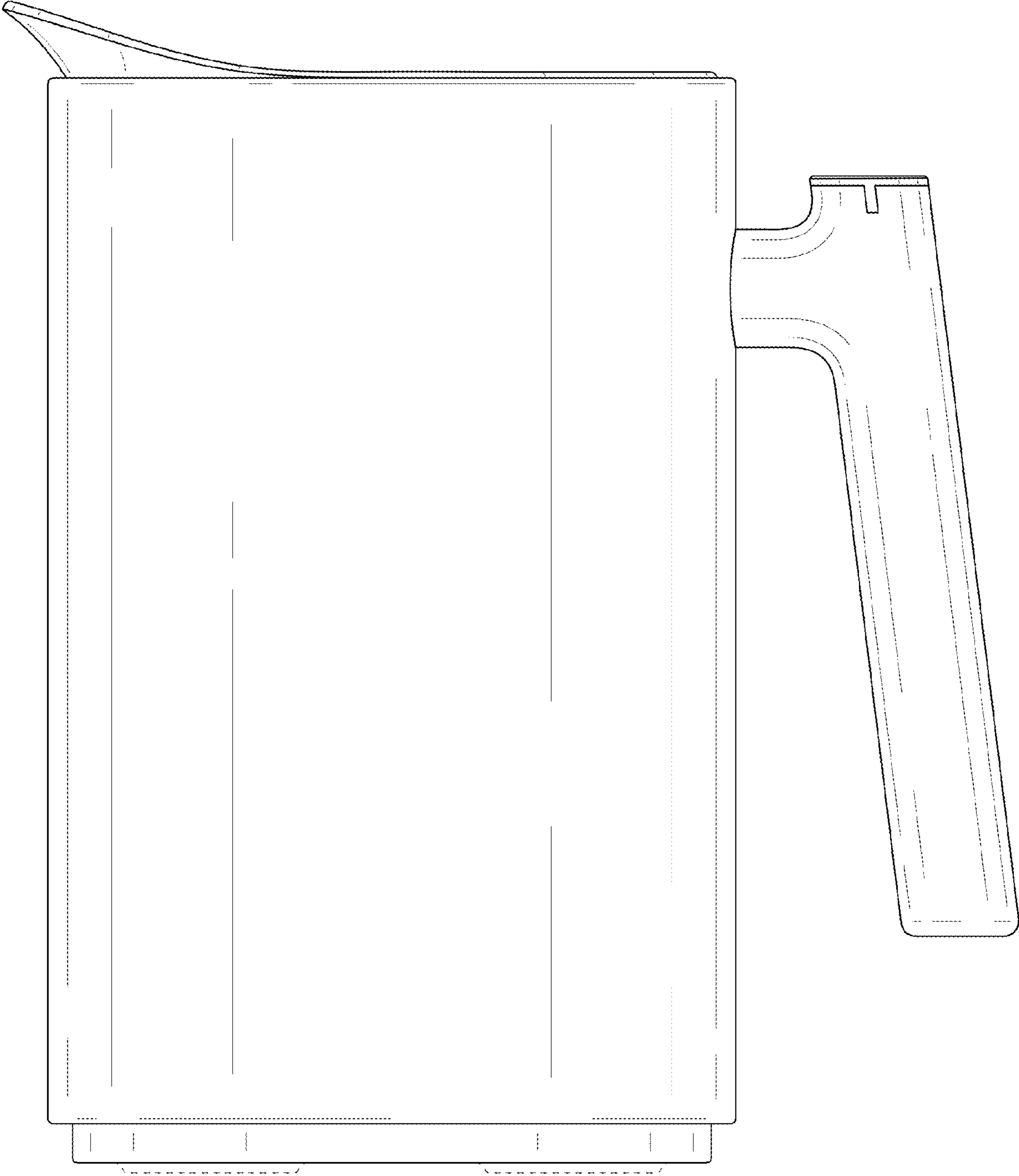


FIG. 3

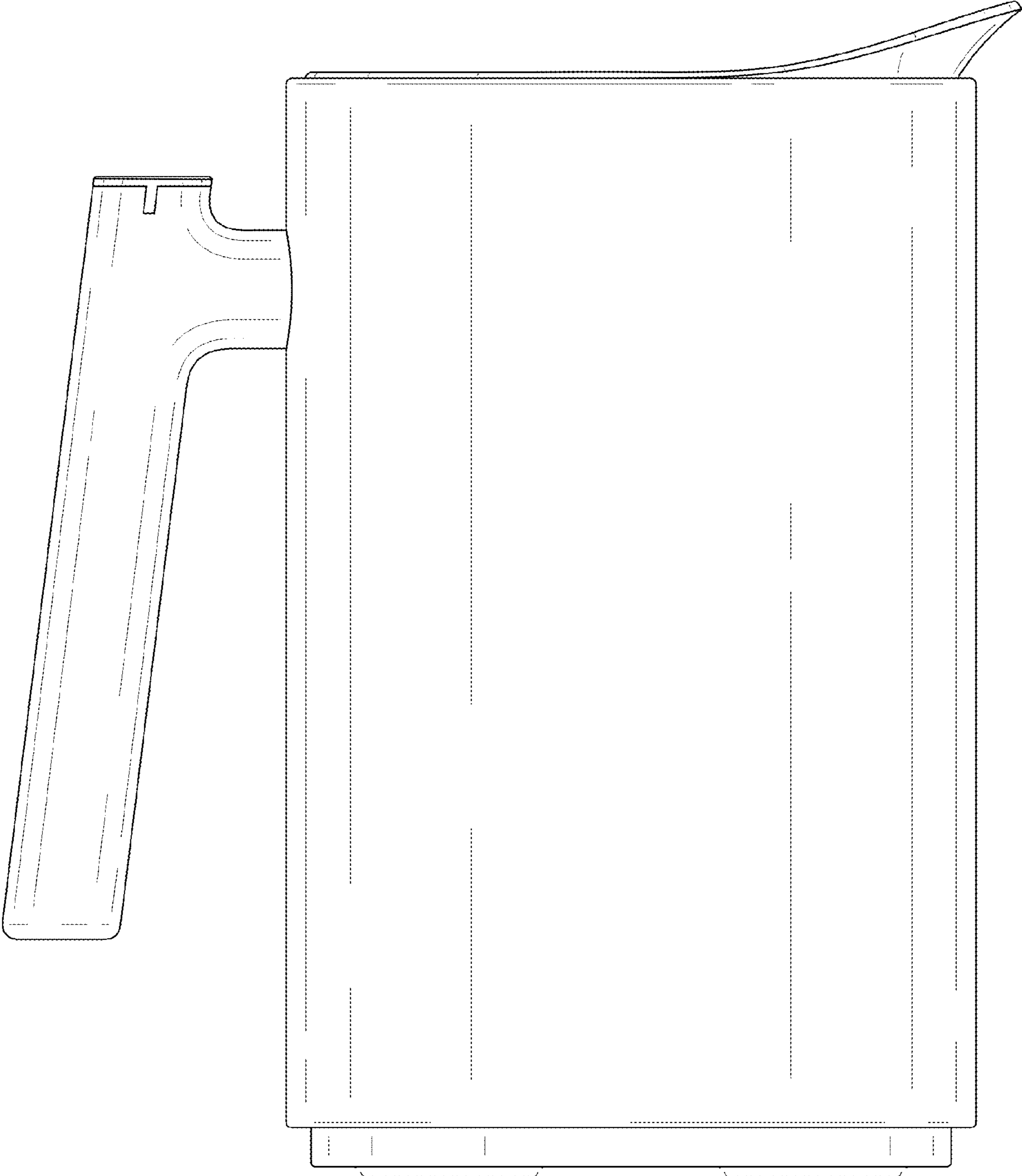


FIG. 4

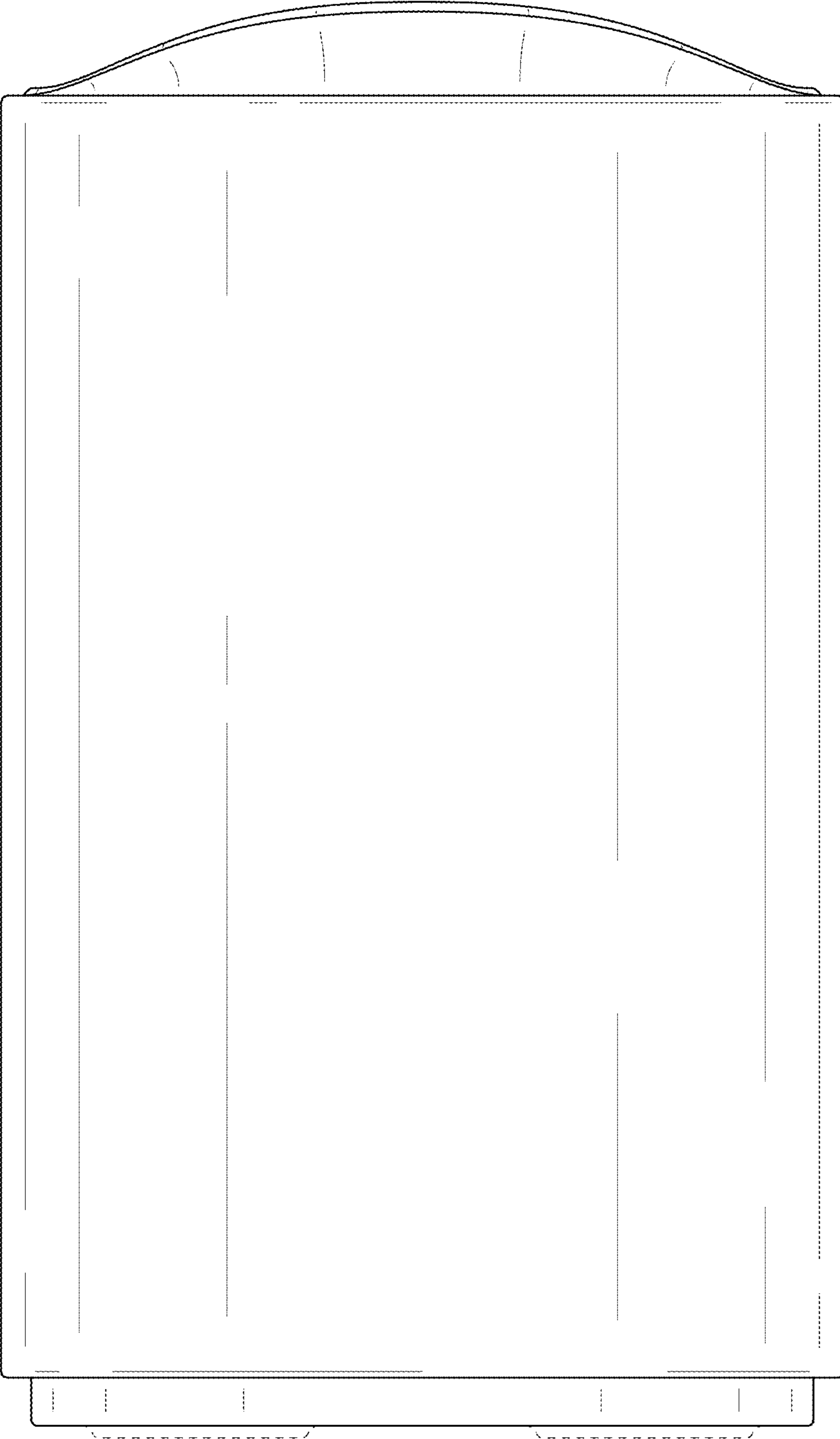


FIG. 5

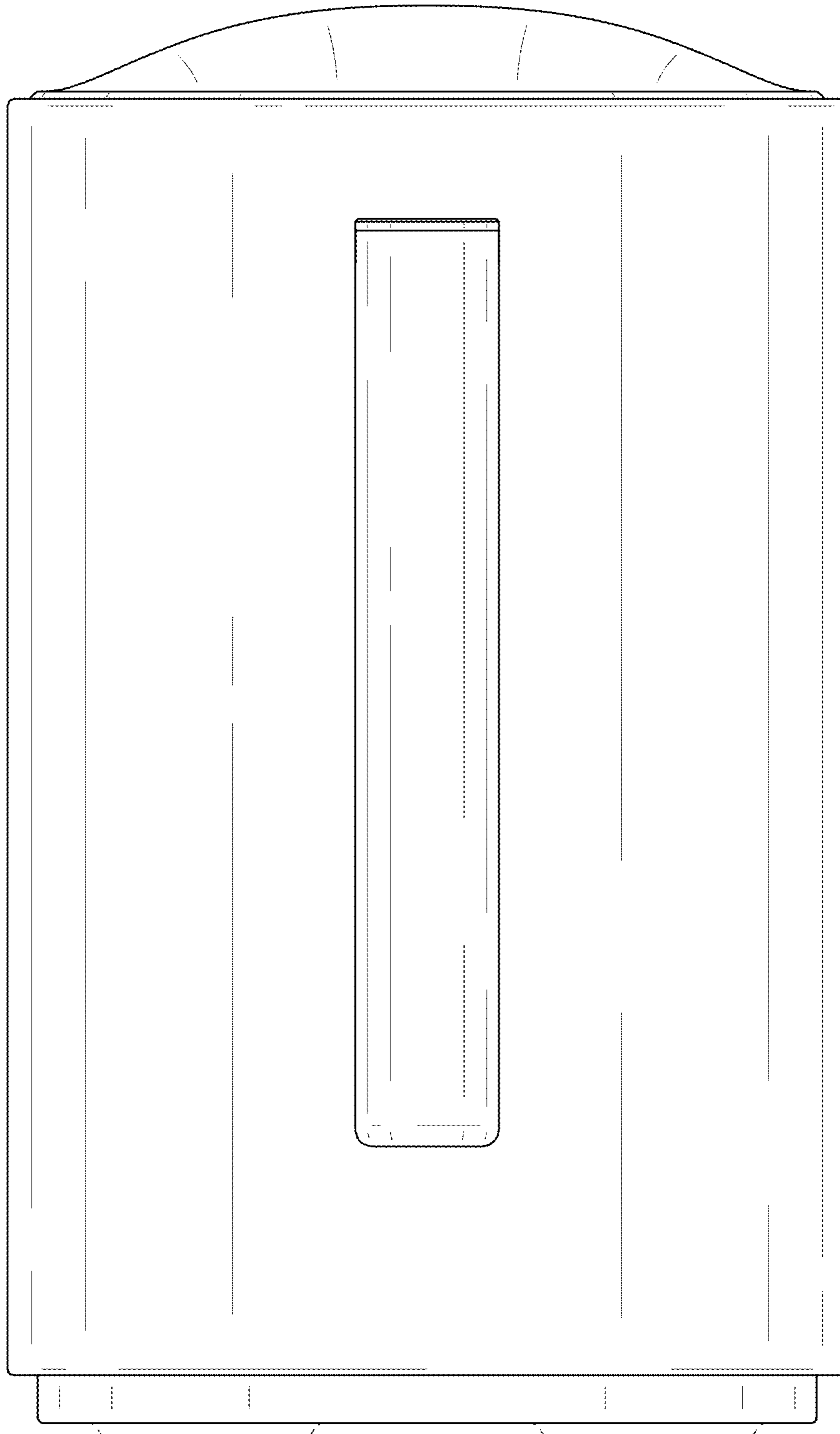


FIG. 6

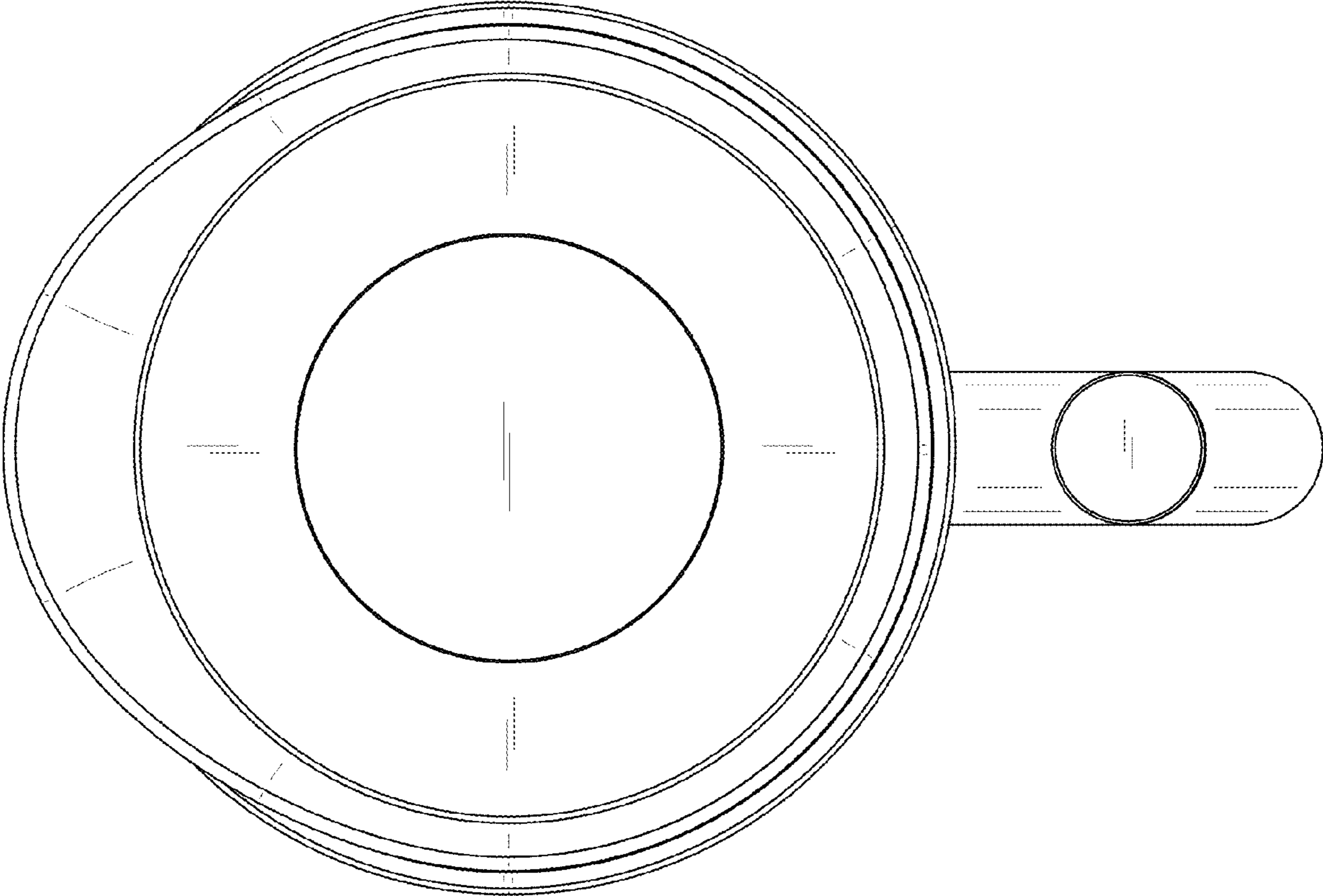




FIG. 7

