



US00D977289S

(12) **United States Design Patent** (10) **Patent No.:** **US D977,289 S**
Brandtner et al. (45) **Date of Patent:** **** Feb. 7, 2023**

(54) **PAIR OF SOFA ARM REST FORMS**

FOREIGN PATENT DOCUMENTS

(71) Applicant: **Ashley Furniture Industries, LLC.**,
Arcadia, WI (US)

RU 00117086 * 10/2019
WO WO 2018/081471 A1 5/2018

(72) Inventors: **Timothy A. Brandtner**, Ettrick, WI
(US); **Nicholas J. Robinson**, Ettrick,
WI (US)

OTHER PUBLICATIONS

(73) Assignee: **Ashley Furniture Industries, LLC**,
Arcadia, WI (US)

Sofas Chairs Recliners Sectionals [online], [site visited Feb. 22,
2022]. Available from internet, URL: <<https://www.millersfurniture.com/why-choose-smith-brothers-of-berne-at-millers-furniture/>> (Year:
2022).*

(**) Term: **15 Years**

(Continued)

(21) Appl. No.: **29/738,178**

Primary Examiner — Cynthia Ramirez

(22) Filed: **Jun. 15, 2020**

Assistant Examiner — Xavier Marti-Santos

(74) *Attorney, Agent, or Firm* — Christensen, Fonder,
Dardi & Herbert PLLC; Douglas J. Christensen

Related U.S. Application Data

(63) Continuation of application No. 16/525,539, filed on
Jul. 29, 2019, now Pat. No. 11,122,907.

(60) Provisional application No. 62/711,168, filed on Jul.
27, 2018.

(51) **LOC (14) Cl.** **06-06**

(52) **U.S. Cl.**

USPC **D6/717**

(58) **Field of Classification Search**

USPC D6/334, 335, 336, 366, 367, 369, 379,
D6/380, 595, 596, 601, 610, 611, 617,
D6/716, 716.2, 716.3, 716.4

CPC .. A47C 17/86; A47C 7/24; A47C 7/30; A47C
5/00; A47C 31/02; B68G 7/00

See application file for complete search history.

(56) **References Cited**

U.S. PATENT DOCUMENTS

1,716,176 A 6/1929 Vitez-Keresztfalvy
2,838,100 A 6/1958 Follows
3,104,913 A 9/1963 Faulkner et al.
3,115,093 A 12/1963 Andrus
3,333,841 A 8/1967 Damiano
3,375,861 A 4/1968 Marlow

(Continued)

(57) **CLAIM**

We claim the ornamental design for a pair of sofa arm rest
forms, as shown and described.

DESCRIPTION

FIG. 1 is a perspective view of a pair of sofa arm rest forms
showing our new design.

FIG. 2 is an enlarged front view of the pair of sofa arm rest
forms thereof.

FIG. 3 is an enlarged side view of an exterior facing side of
the pair of sofa arm rest forms of FIG. 1, showing only one
of the forms.

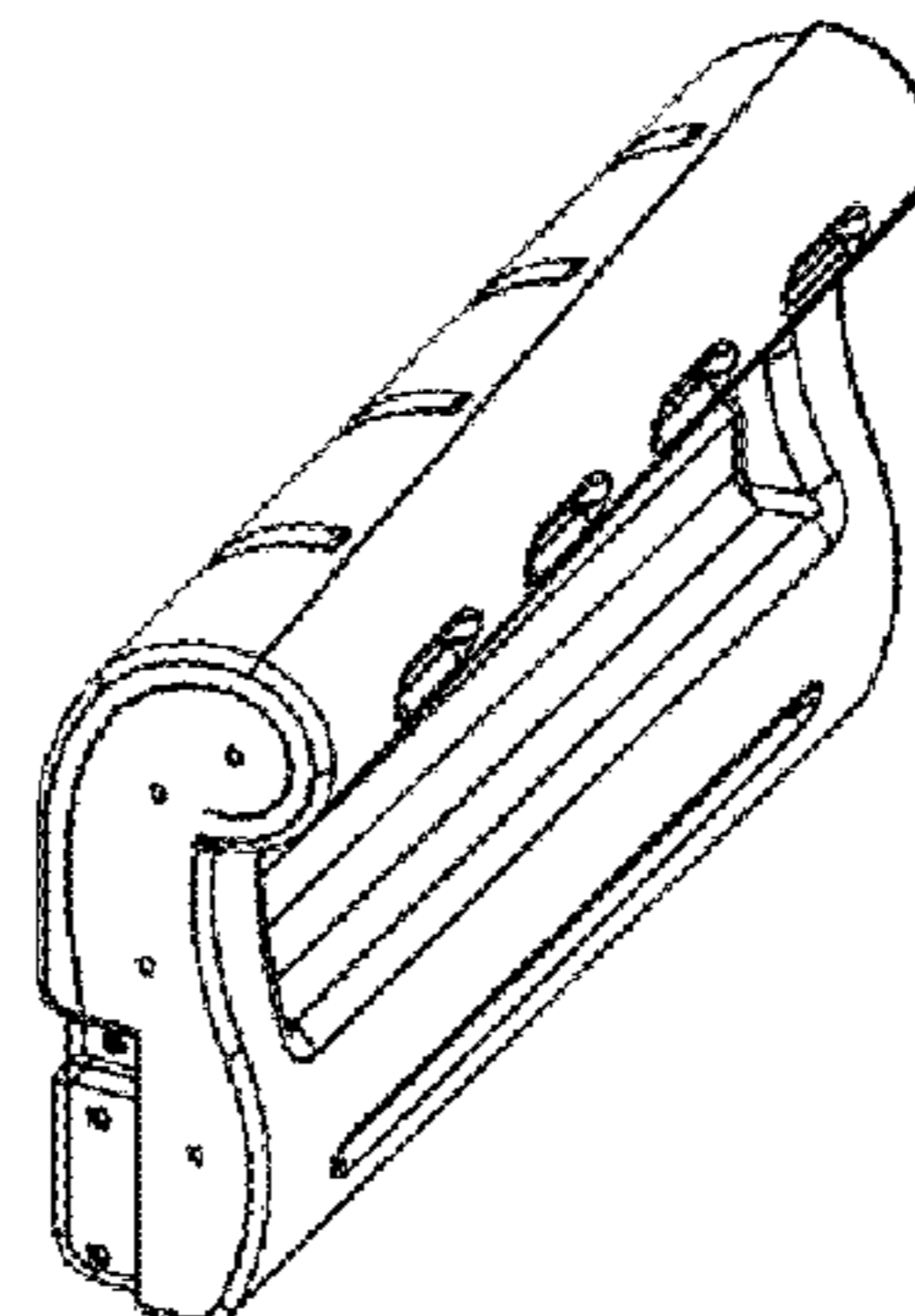
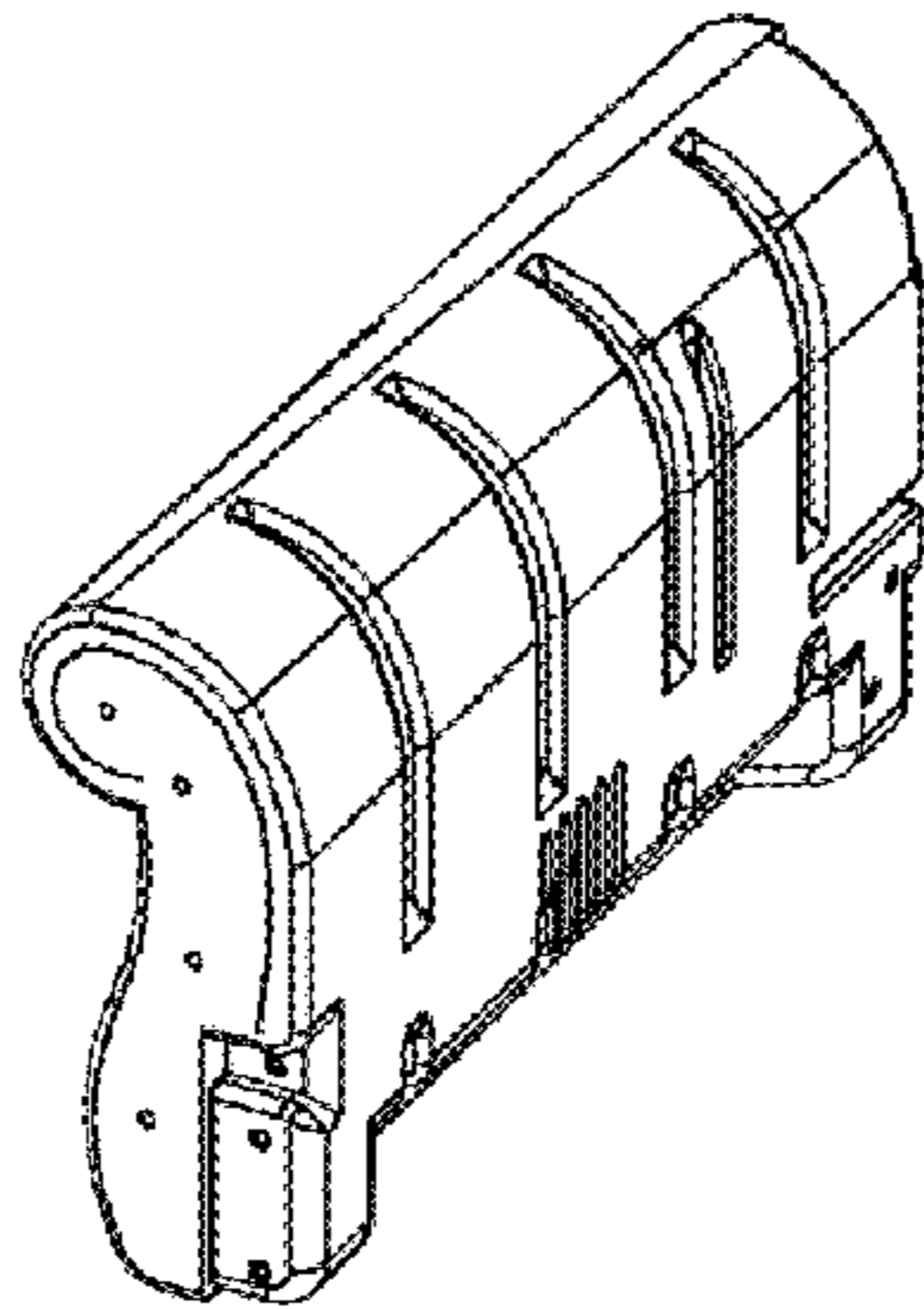
FIG. 4 is an enlarged rear view of the pair of sofa arm rest
forms of FIG. 1.

FIG. 5 is an enlarged top view of the pair of sofa arm rest
forms thereof.

FIG. 6 is an enlarged bottom view of the pair of sofa arm rest
forms thereof; and,

FIG. 7 is an enlarged side view of an interior facing side of
the pair of sofa arm rest forms of FIG. 1, showing only one
of the forms.

1 Claim, 7 Drawing Sheets



(56)

References Cited

U.S. PATENT DOCUMENTS

3,414,912 A 12/1968 Dusey, Sr. et al.
 3,467,433 A 9/1969 Lindau et al.
 3,497,883 A 3/1970 Arnold et al.
 3,498,598 A 3/1970 Rathbun
 D217,910 S * 6/1970 Harman D6/717
 3,528,096 A 9/1970 Moberg
 3,642,323 A 2/1972 Taylor
 3,658,382 A 4/1972 Anderson
 3,669,495 A 6/1972 Von Rudgisch
 3,700,282 A 10/1972 Rowland
 3,722,954 A 3/1973 Rey et al.
 3,874,727 A 4/1975 Mehbert et al.
 3,877,087 A 4/1975 Harty
 3,887,234 A 6/1975 Curtis et al.
 D250,502 S * 12/1978 Trimble D6/716
 4,165,902 A 8/1979 Ehrlich
 4,285,080 A 8/1981 Kitchen et al.
 4,285,544 A 8/1981 Zapf
 4,768,833 A 9/1988 Virtue
 4,775,187 A 10/1988 Herr
 5,411,316 A 5/1995 Lovegrove et al.
 5,575,533 A 11/1996 Glance
 5,582,460 A 12/1996 Schultz
 5,727,849 A 3/1998 Nelson
 5,755,489 A 5/1998 Rossman et al.
 5,775,778 A 7/1998 Riley et al.
 D425,338 S * 5/2000 Schlichter D6/717
 6,109,687 A 8/2000 Nye et al.
 6,241,312 B1 6/2001 Watts et al.
 6,679,558 B2 1/2004 Adams et al.
 6,702,391 B1 3/2004 Stipek
 D501,340 S * 2/2005 Grossman D6/717
 6,854,806 B2 2/2005 Huse
 6,883,873 B2 4/2005 Haney et al.
 6,945,178 B1 9/2005 Nye et al.
 7,011,787 B2 3/2006 Huse
 7,070,243 B1 7/2006 Frank
 7,438,362 B2 10/2008 Dotta et al.
 D595,819 S * 7/2009 Davis D23/309
 7,568,767 B2 8/2009 Richardson

7,713,011 B2 5/2010 Orszagh et al.
 7,806,482 B2 10/2010 Dotta et al.
 7,988,236 B2 8/2011 Brandtner
 8,438,716 B2 5/2013 Brandtner
 8,448,314 B2 5/2013 Brandtner
 8,764,115 B2 7/2014 Brandtner
 8,777,319 B2 7/2014 Brandtner et al.
 D726,469 S * 4/2015 Dix D6/716.2
 9,028,185 B2 5/2015 Eggers et al.
 9,309,914 B2 4/2016 Yuan
 9,474,381 B2 10/2016 Brandtner et al.
 9,526,342 B2 12/2016 Thuma et al.
 9,609,943 B1 4/2017 Lin
 9,651,080 B2 5/2017 Eggers et al.
 9,839,295 B2 12/2017 Robinson et al.
 9,839,298 B2 12/2017 Stirling
 10,034,554 B2 7/2018 Lewis et al.
 10,117,521 B2 11/2018 Lewis et al.
 10,188,212 B2 1/2019 Thuma et al.
 10,299,606 B2 5/2019 Lewis et al.
 10,327,557 B2 6/2019 Neil et al.
 10,869,560 B2 12/2020 Gates et al.
 2003/0209934 A1 11/2003 Haney et al.
 2004/0041452 A1 3/2004 Williams
 2011/0035875 A1 2/2011 Brandtner
 2012/0204392 A1 8/2012 Luangphon
 2013/0316123 A1 11/2013 Preisler et al.
 2013/0320741 A1 12/2013 Brandtner et al.
 2014/0375103 A1 12/2014 Lejcher et al.
 2015/0130233 A1 5/2015 Thuma et al.
 2015/0305504 A1 * 10/2015 Robinson A47C 7/025
 297/452.18
 2016/0106219 A1 4/2016 Stirling
 2019/0254440 A1 8/2019 Gates et al.
 2020/0029699 A1 1/2020 Brandtner et al.
 2021/0289941 A1 * 9/2021 Brandtner A47C 17/16

OTHER PUBLICATIONS

International Search Report for Application No. PCT/US2019/044000 dated Nov. 26, 2019 (4 pages).
 Admitted prior art dated at least as early as Jul. 20, 2018 3 pgs.

* cited by examiner

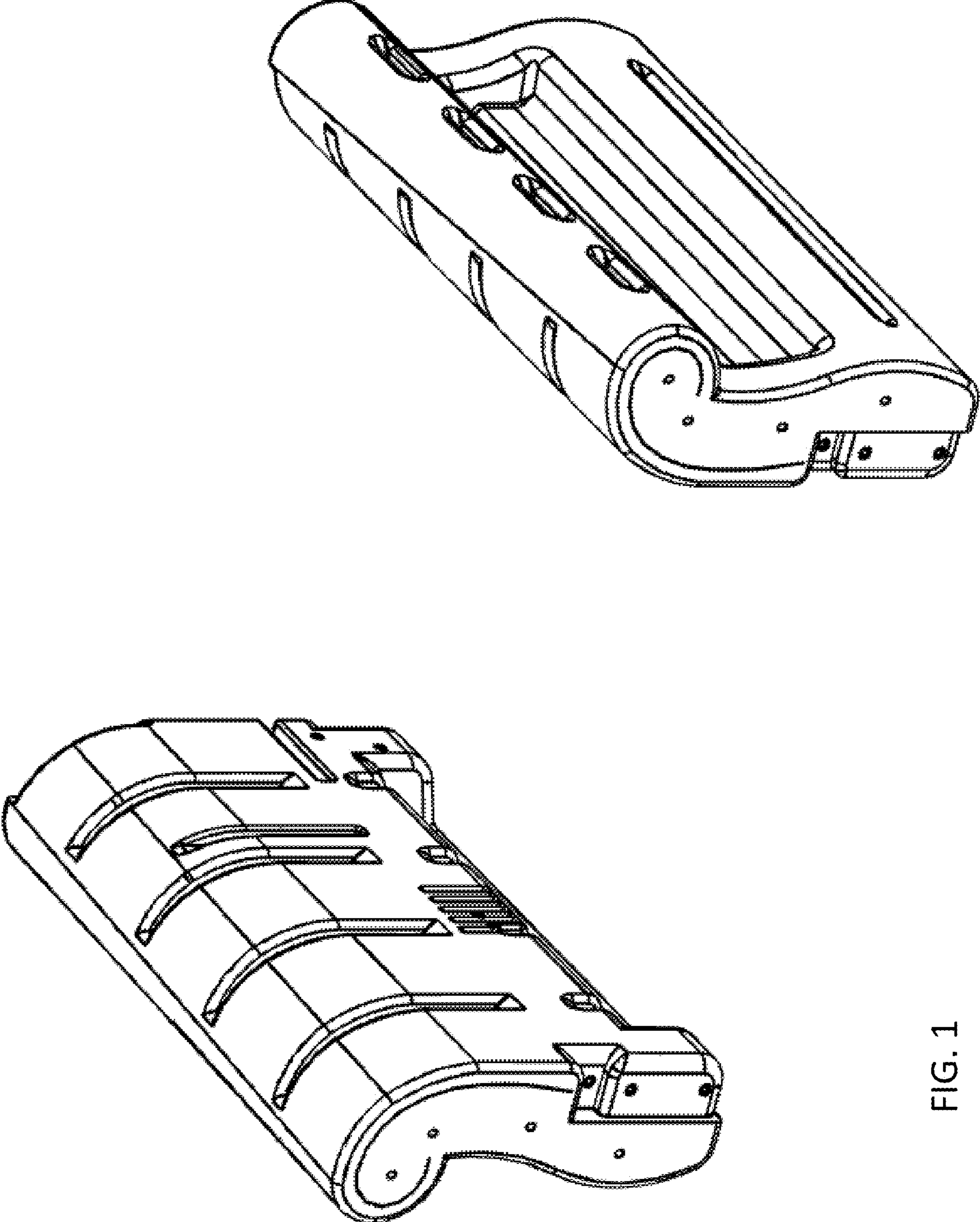


FIG. 1

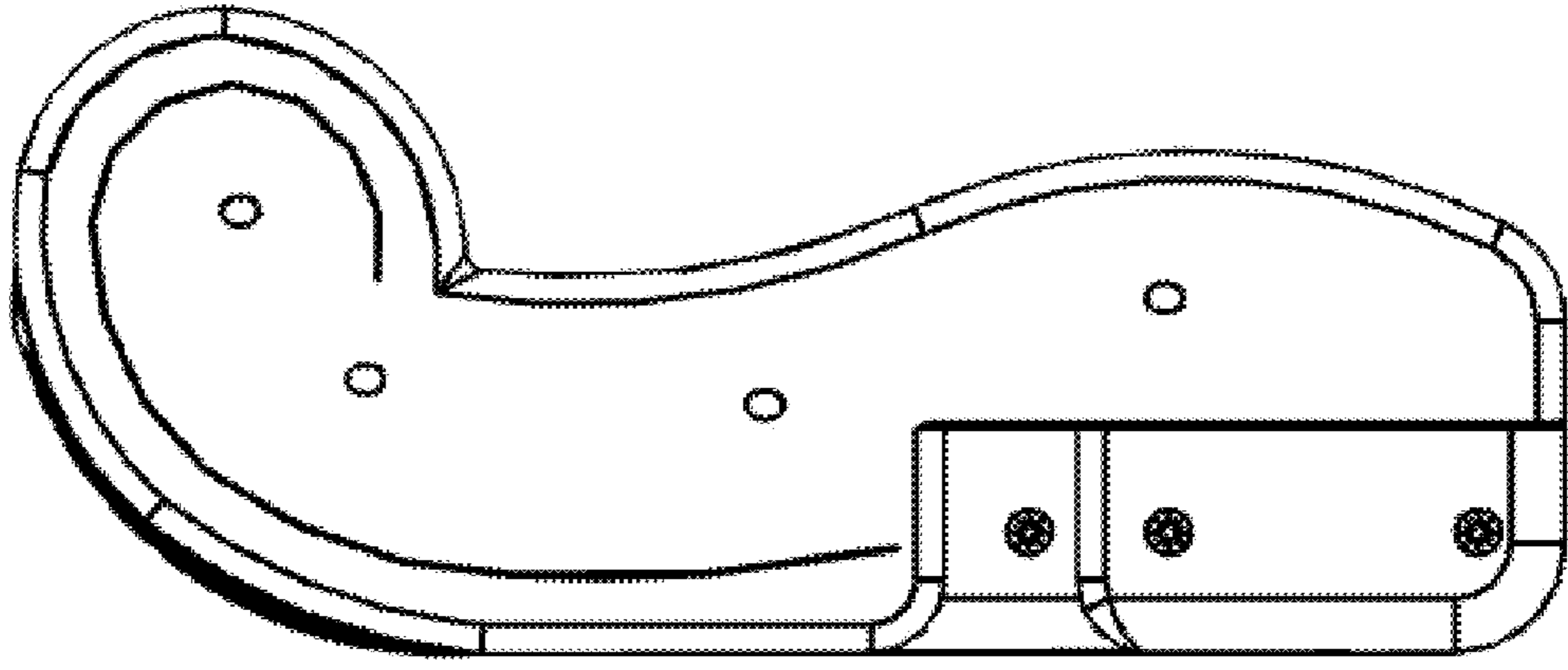
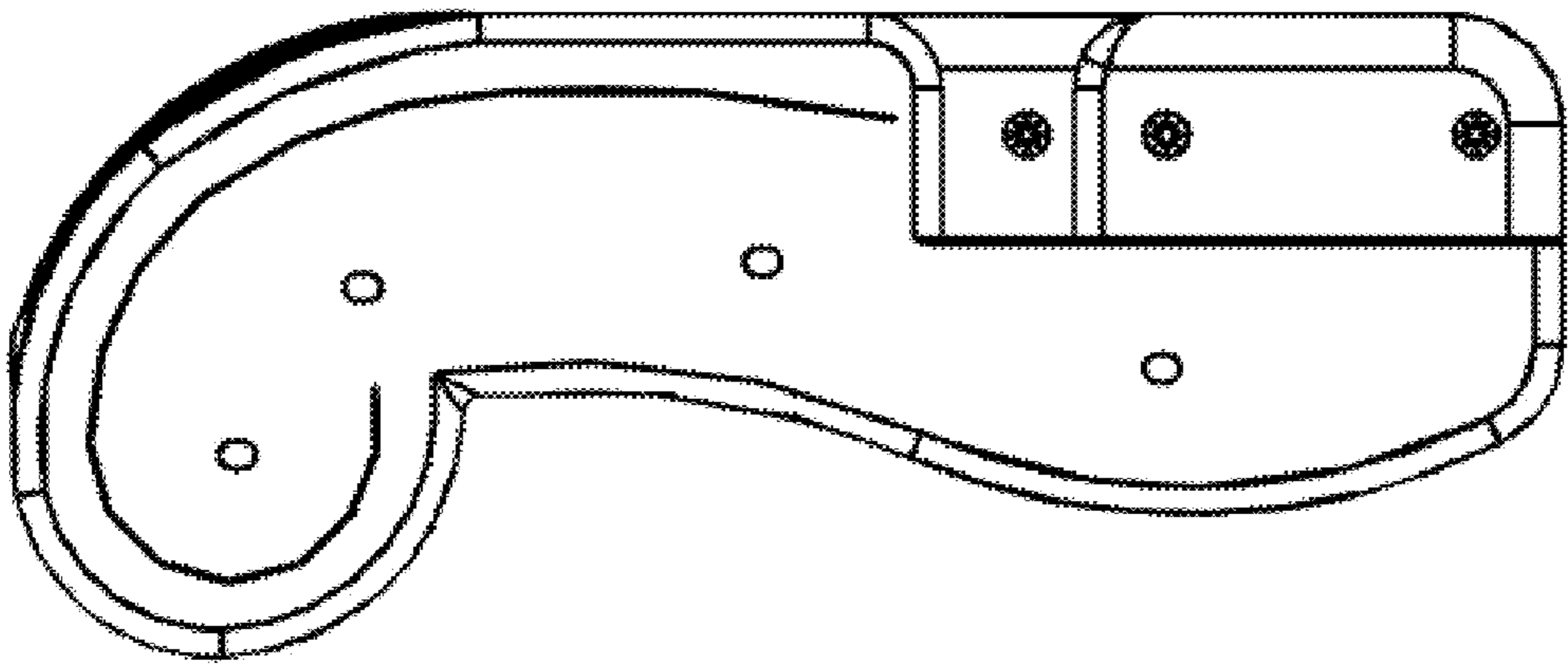


FIG. 2



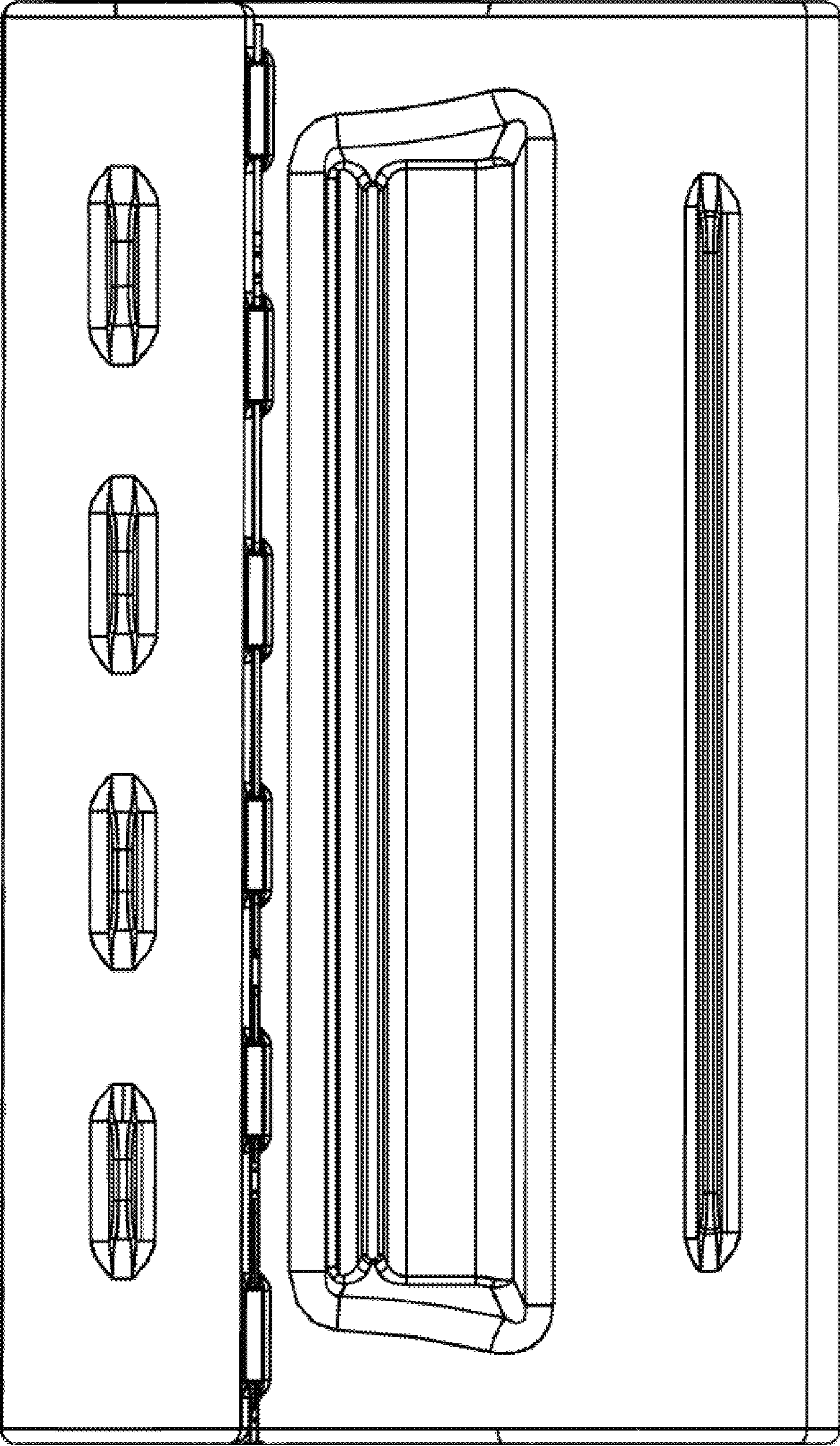


FIG. 3

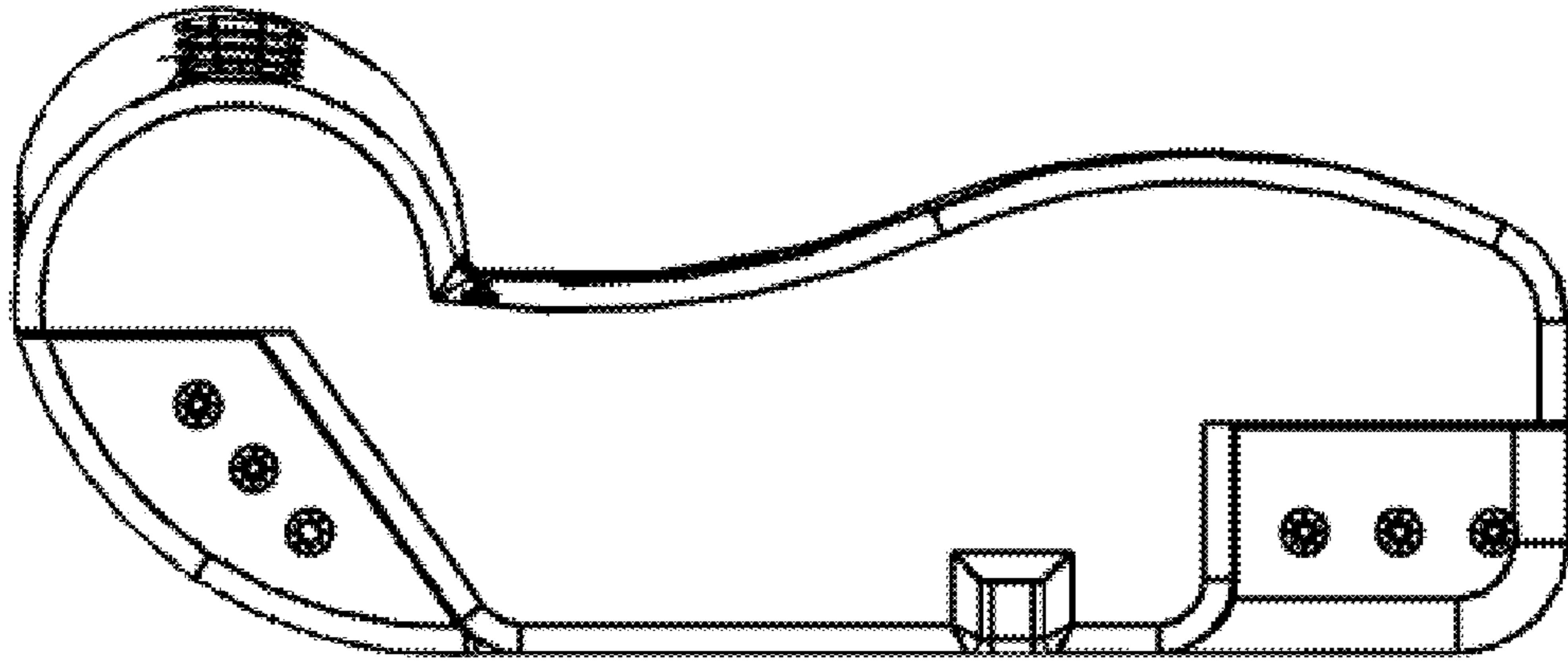


FIG. 4

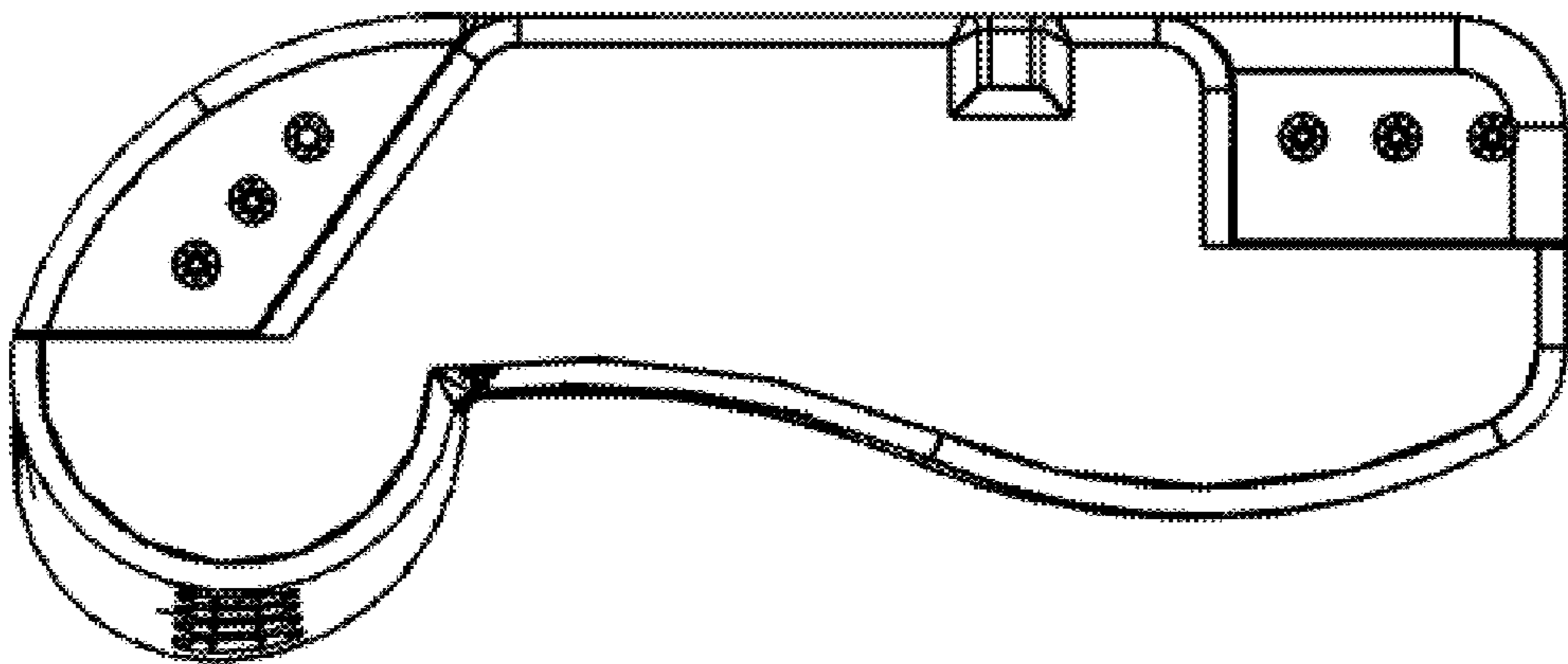


FIG. 5

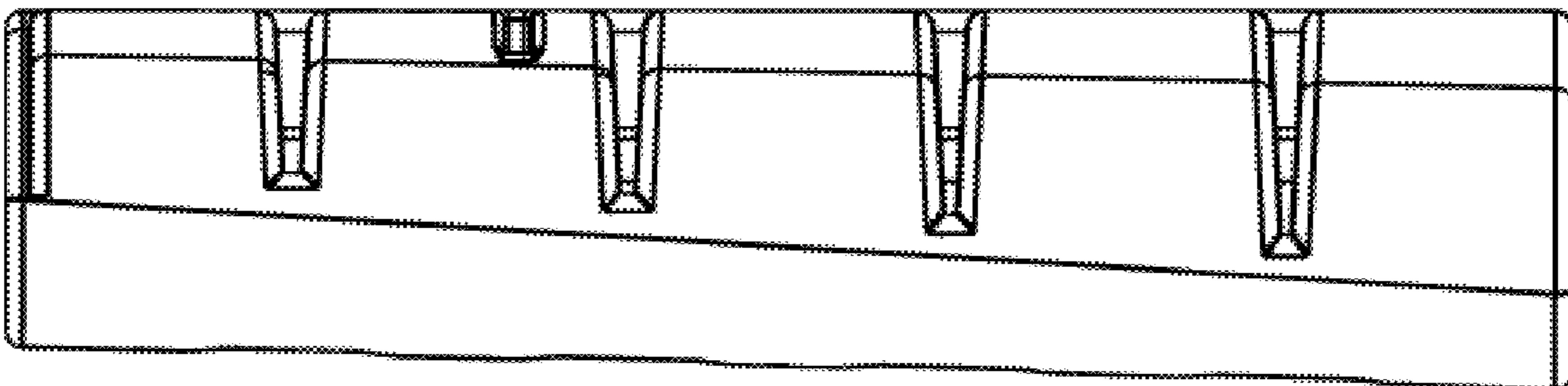
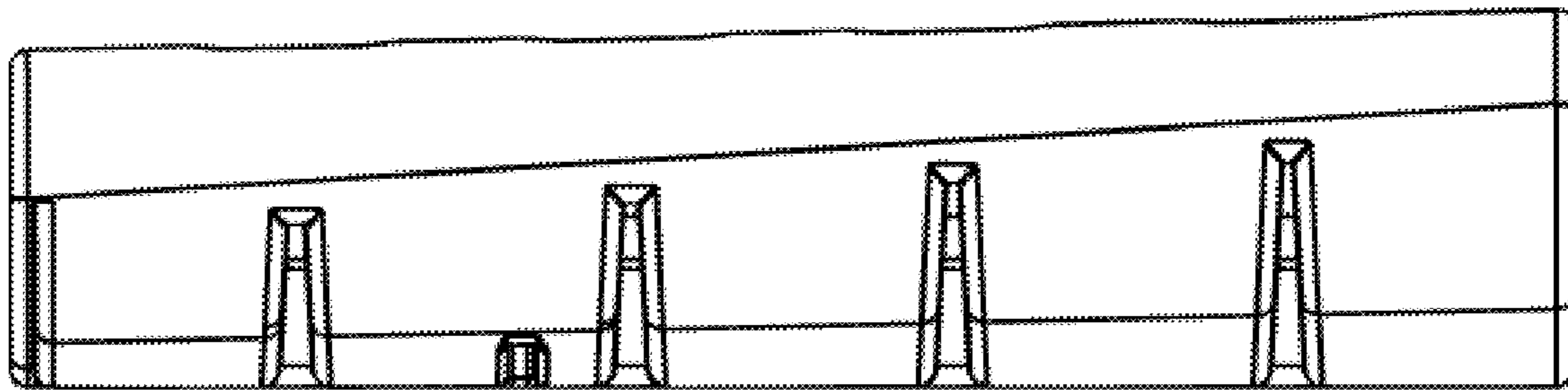


FIG. 6

