



US00D977288S

(12) **United States Design Patent**
Hamann

(10) **Patent No.:** **US D977,288 S**

(45) **Date of Patent:** **** *Feb. 7, 2023**

(54) **DOUBLE TAB SHELF**

(71) Applicant: **BK Resource, Inc.**, Altamont, IL (US)

(72) Inventor: **Michael Hamann**, Effingham, IL (US)

(73) Assignee: **BK Resources, Inc.**, Altamont, IL (US)

(*) Notice: This patent is subject to a terminal disclaimer.

(**) Term: **15 Years**

(21) Appl. No.: **29/754,696**

(22) Filed: **Oct. 13, 2020**

(51) **LOC (14) Cl.** **06-06**

(52) **U.S. Cl.**
USPC **D6/705**

(58) **Field of Classification Search**
USPC D6/641-642, 653, 653.1, 655, 698, 705,
D6/705.2, 706; D19/75, 86, 90
CPC A47B 43/00; A47B 46/00; A47B 47/02
See application file for complete search history.

(56) **References Cited**

U.S. PATENT DOCUMENTS

2,669,495	A *	2/1954	Foote	A47C 7/68
					108/157.11
D178,424	S *	7/1956	Peters	D24/227
D192,036	S *	1/1962	Raymond	D7/552.1
D195,681	S *	7/1963	Ross	D19/92
3,747,756	A *	7/1973	Wheeler	B07C 7/04
					D15/138
3,819,064	A *	6/1974	Chandler	A61J 7/02
					222/572
4,155,312	A *	5/1979	Thorkildson	A47B 45/00
					D6/705
D252,436	S *	7/1979	Elliott	D6/706
D273,904	S *	5/1984	Pacheco	D32/56
D288,375	S *	2/1987	Okami	D7/552.2
D291,737	S *	9/1987	McDaniel, Sr.	D32/56

D298,968	S *	12/1988	McAllister	D24/227
4,911,392	A *	3/1990	Fast	A47F 5/0068
					211/113
D309,461	S *	7/1990	Bussan	D15/89
D311,285	S *	10/1990	Mastrodicasa	D6/705
D317,329	S *	6/1991	Annand	D21/480
D365,182	S *	12/1995	Zehrung	D32/55
D418,909	S *	1/2000	Mockett	D23/308
D421,548	S *	3/2000	Cornelissen	D7/545
D425,937	S *	5/2000	Serrault	D19/86
D428,059	S *	7/2000	Saylor	D19/86
D461,995	S *	8/2002	Massaloux	D7/545
D479,278	S *	9/2003	Nagel	D20/43
D495,720	S *	9/2004	Avalos Barcenas	D15/89

(Continued)

Primary Examiner — Kelley A Donnelly

(74) *Attorney, Agent, or Firm* — Locke Lord LLP; Daniel J. Fiorello

(57) **CLAIM**

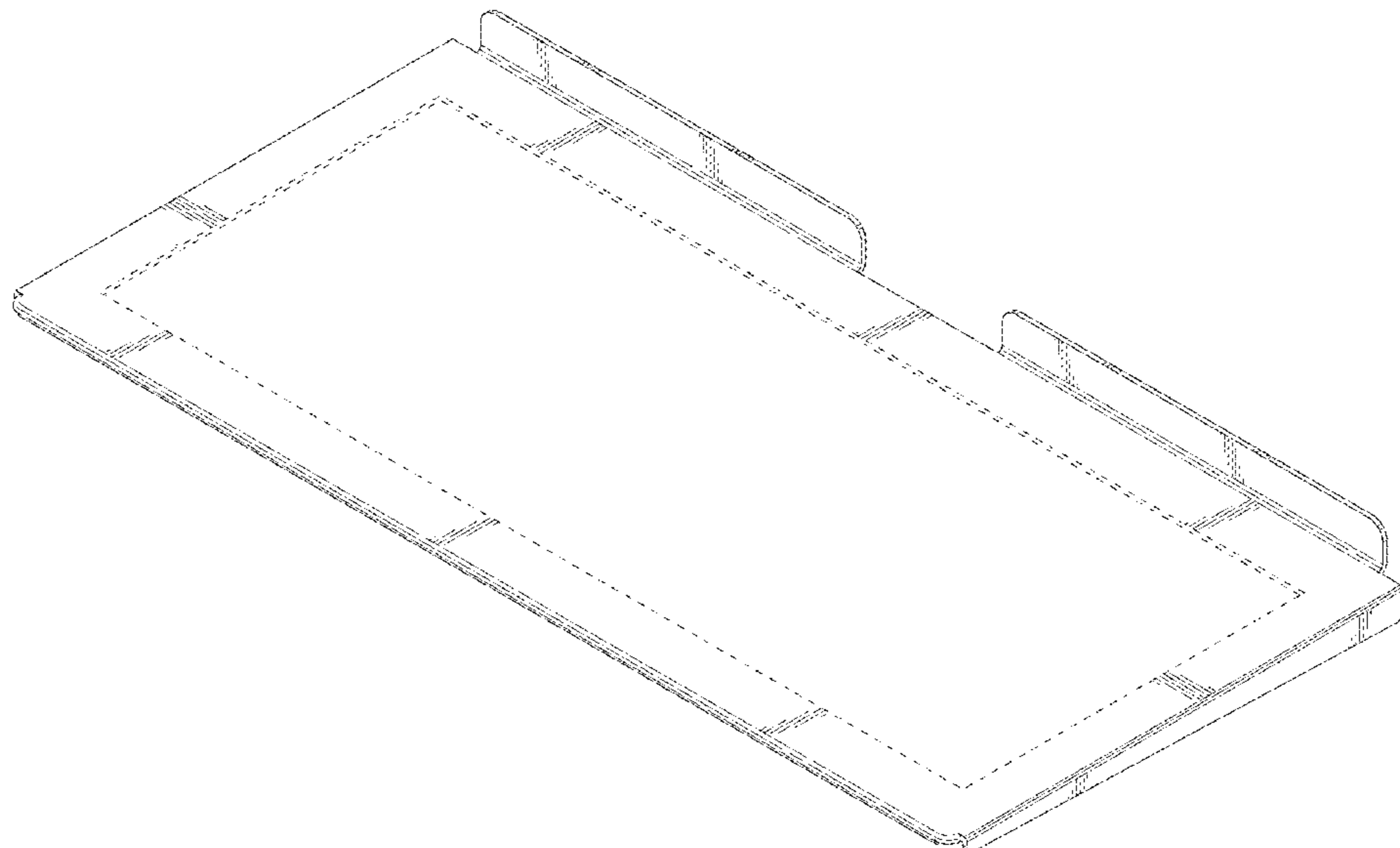
The ornamental design for a double tab shelf, as shown and described.

DESCRIPTION

FIG. 1 is a perspective view of an embodiment of the double tab shelf of the subject disclosure;
 FIG. 2 is a front side elevation view of the double tab shelf of FIG. 1;
 FIG. 3 is a rear side elevation view of the double tab shelf of FIG. 1;
 FIG. 4 is a left side elevation view of the double tab shelf of FIG. 1;
 FIG. 5 is a right side elevation view of the double tab shelf of FIG. 1;
 FIG. 6 is a top plan view of the double tab shelf of FIG. 1;
 and,
 FIG. 7 is a bottom plan view of the double tab shelf of FIG. 1.

The broken lines shown in the drawings do not form part of the claimed design.

1 Claim, 5 Drawing Sheets



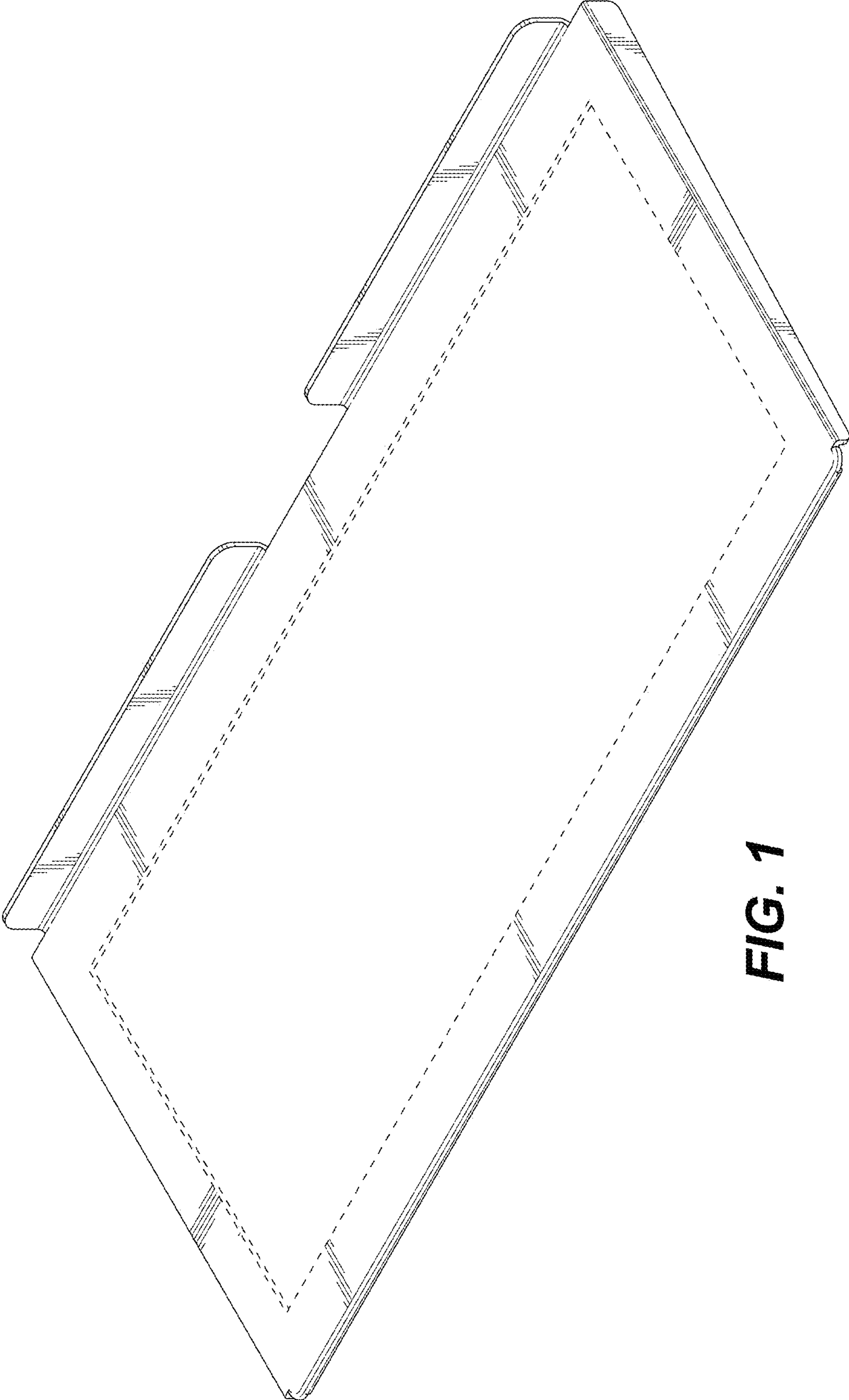


FIG. 1

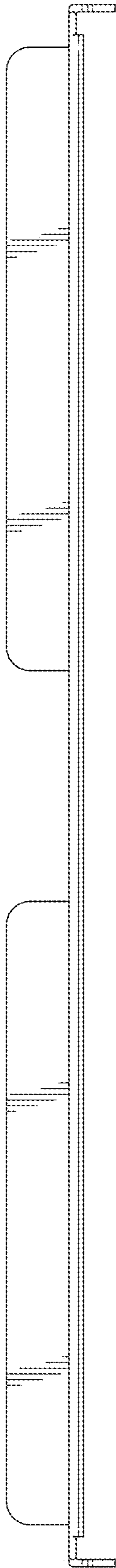


FIG. 2

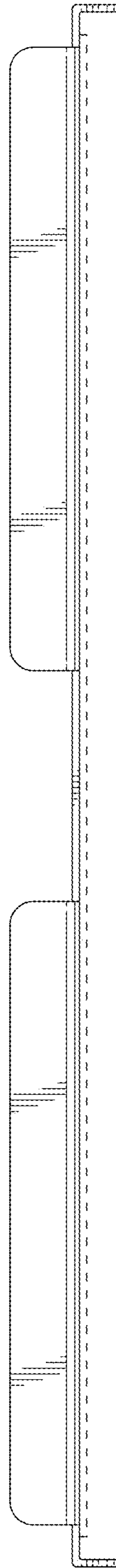


FIG. 3

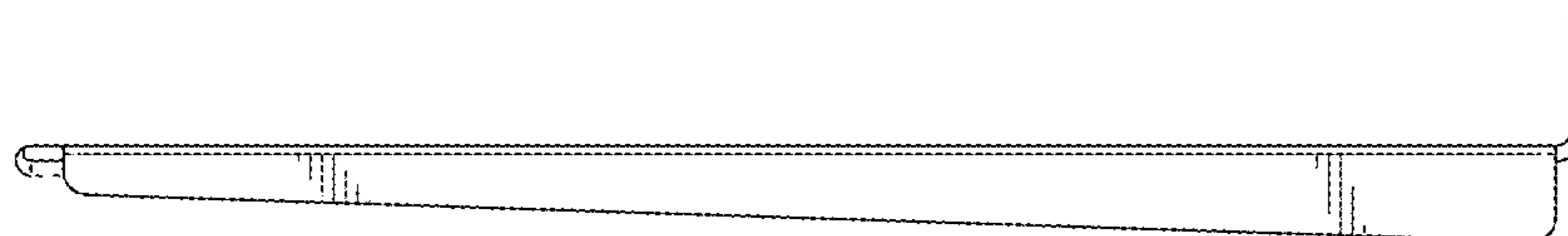


FIG. 4

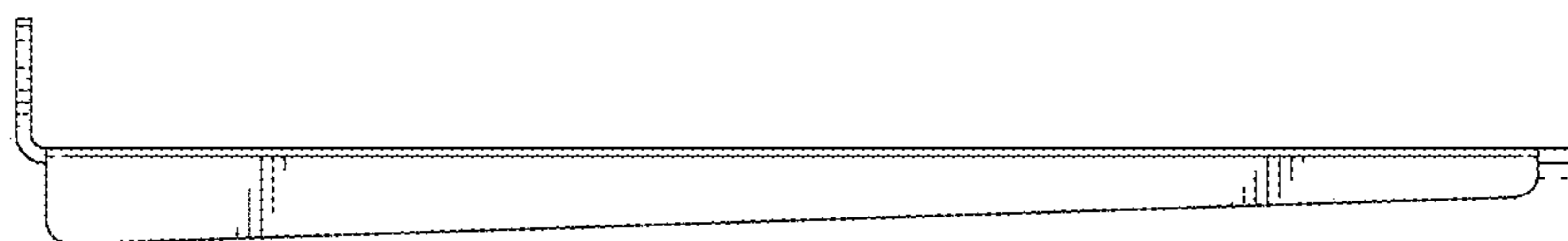


FIG. 5

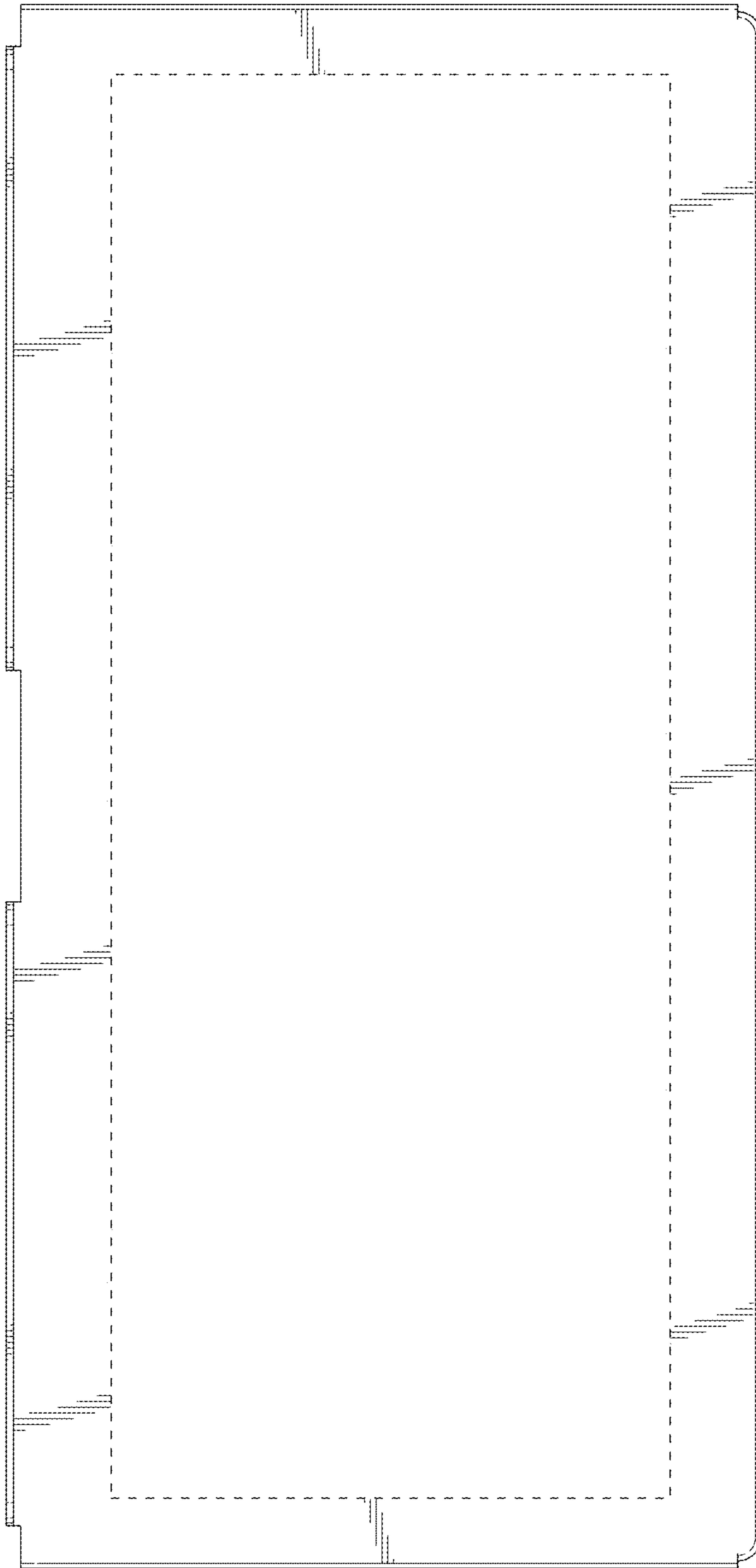


FIG. 6

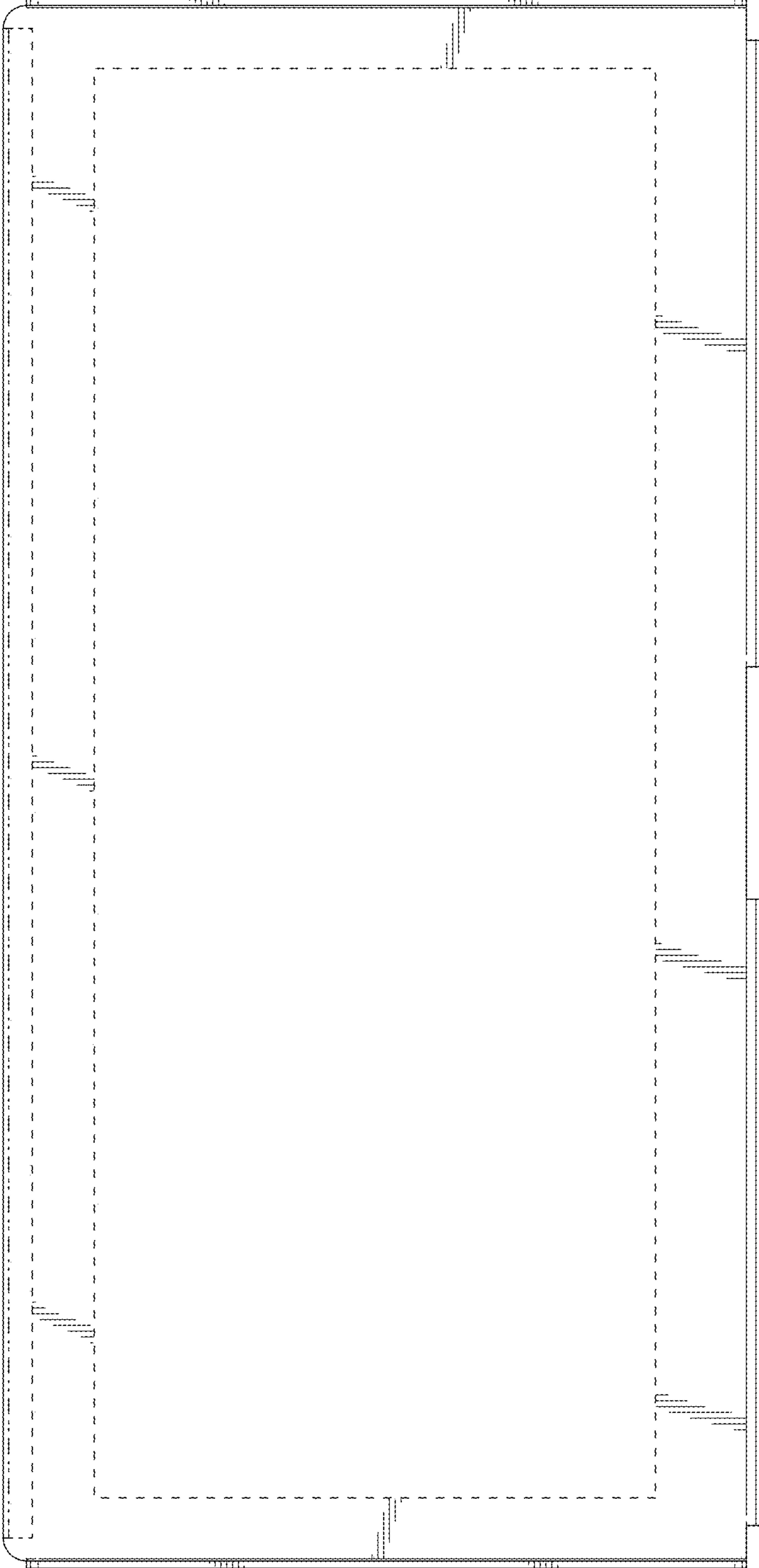


FIG. 7