



US00D977283S

(12) **United States Design Patent**
Hulbert et al.

(10) **Patent No.:** **US D977,283 S**
(45) **Date of Patent:** **** Feb. 7, 2023**

(54) **MODULAR COMPUTER WORKSTATION**

(71) Applicant: **Open Space Holdings Ltd**, Sunderland (GB)

(72) Inventors: **Matthew Hulbert**, Newcastle-upon-Tyne (GB); **Richard Parker**, Newcastle-upon-Tyne (GB); **Marc Holliday**, Newcastle-upon-Tyne (GB); **David Green**, Sunderland (GB); **Michael White**, Sunderland (GB); **Richard Sice**, Sunderland (GB)

(73) Assignee: **Open Space Holding Ltd.**, Sunderland (GB)

(**) Term: **15 Years**

(21) Appl. No.: **29/760,740**

(22) Filed: **Dec. 3, 2020**

(30) **Foreign Application Priority Data**

Jun. 3, 2020 (EM) 007982012

(51) **LOC (14) Cl.** **06-03**

(52) **U.S. Cl.**
USPC **D6/643.1; D14/307**

(58) **Field of Classification Search**
USPC D6/329, 337, 640, 641, 642, 643, 643.1, D6/644, 698, 713, 714; D14/307; D23/274; D24/234; D25/3, 4, 31

(Continued)

(56) **References Cited**

U.S. PATENT DOCUMENTS

D197,652 S * 3/1964 Courtwright D6/643.1
3,160,451 A * 12/1964 Lewis A47B 49/004
211/144

(Continued)

OTHER PUBLICATIONS

“Video and Computer Work Station.” Found online Jun. 15, 2022 at www.eyekongroup.com. Page archived Aug. 10, 2020. Retrieved from URL: https://web.archive.org/web/20200810080533/https://www.eyekongroup.com/products/video-and-computer-workstation/ (Year: 2020).*

(Continued)

Primary Examiner — Mary Ann Calabrese
Assistant Examiner — Katelin G Kloberg
(74) *Attorney, Agent, or Firm* — K&L Gates LLP

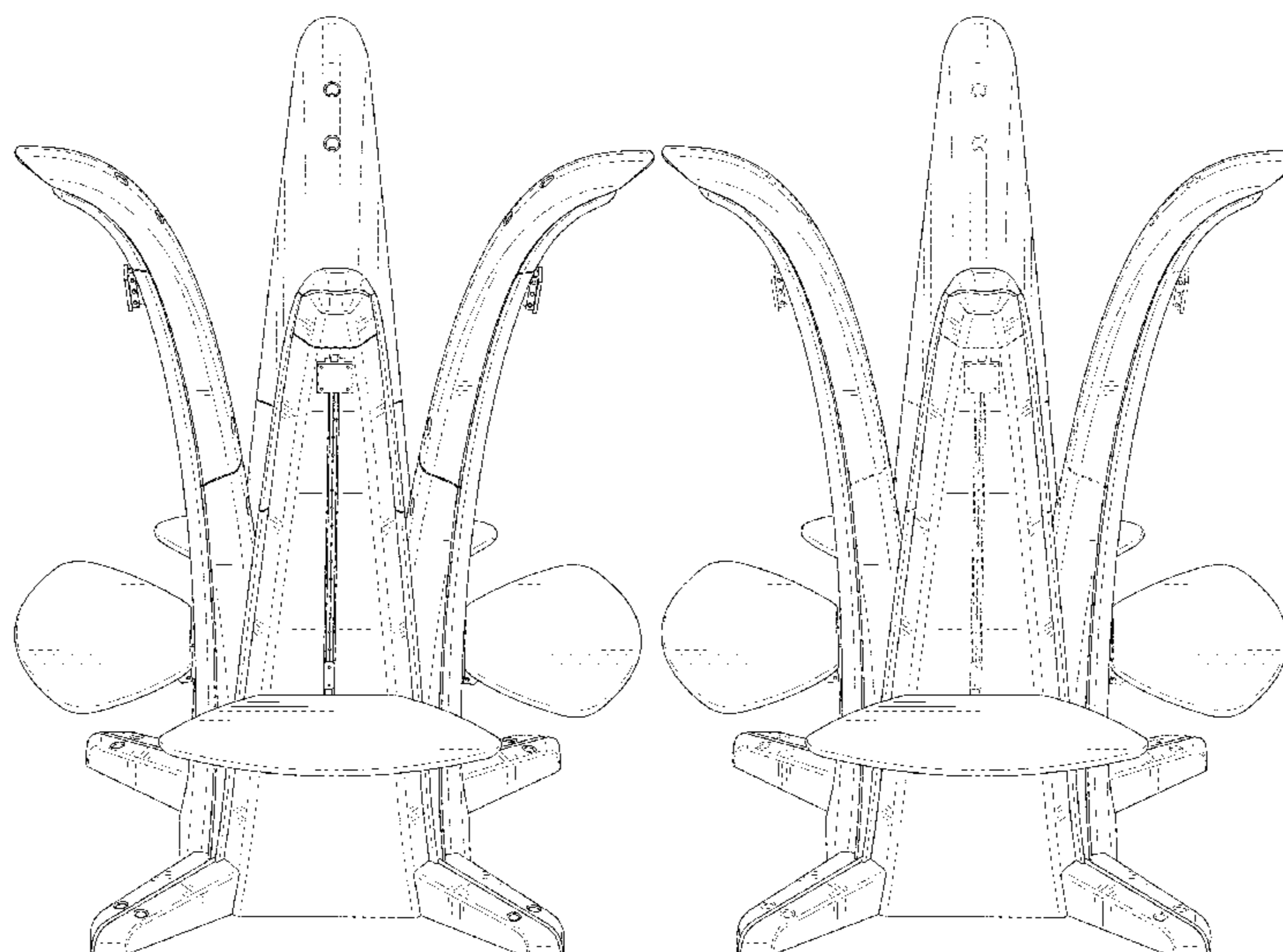
(57) **CLAIM**

The ornamental design for modular computer workstation, as shown and described.

DESCRIPTION

FIG. 1 is a top perspective view of a modular computer workstation, showing a first embodiment of our new design; FIG. 2 is a bottom perspective view thereof; FIG. 3 is a front side elevation view thereof; FIG. 4 is a back side elevation view thereof; FIG. 5 is a right side elevation view thereof; FIG. 6 is a left side elevation view thereof; FIG. 7 is a top plan view thereof; FIG. 8 is a bottom plan view thereof; FIG. 9 is a top perspective view of a modular computer workstation, showing a second embodiment of our new design; FIG. 10 is a bottom perspective view thereof; FIG. 11 is a front side elevation view thereof; FIG. 12 is a back side elevation view thereof; FIG. 13 is a right side elevation view thereof; FIG. 14 is a left side elevation view thereof; FIG. 15 is a top plan view thereof; and, FIG. 16 is a bottom plan view thereof. In FIGS. 9-16, the broken lines depict portions of the modular computer workstation that form no part of the claimed design.

1 Claim, 16 Drawing Sheets



(58) **Field of Classification Search**
 CPC . A47B 2021/066; A47B 21/06; A47B 83/001;
 A47B 2083/006; A47B 2200/0075; A47B
 13/00; A47B 87/002
 See application file for complete search history.

(56) **References Cited**

U.S. PATENT DOCUMENTS

D206,998	S	*	2/1967	Benjamin	D25/4
D207,004	S	*	2/1967	Carlson	D24/234
D247,853	S	*	5/1978	Levine	D18/38
D262,762	S	*	1/1982	McGarvey	D25/1
D302,496	S	*	8/1989	Tingley	D6/643.1
D302,907	S	*	8/1989	Otto	D6/337
5,291,700	A	*	3/1994	Chew	A47D 13/00 52/36.5
D360,781	S	*	8/1995	Hill	D6/643.1
D366,165	S	*	1/1996	Holsinger	D6/643.1
D400,376	S	*	11/1998	Hallenheim	D6/656
5,967,632	A	*	10/1999	Lamia	A45D 44/02 312/249.8

D533,176	S	*	12/2006	Becker	D14/307
D565,850	S	*	4/2008	Newhouse	D6/338
D599,131	S	*	9/2009	Brucker	D6/643.1
D671,767	S	*	12/2012	Pazhoor	D6/643
D700,684	S	*	3/2014	Madenci	D23/274
D732,015	S	*	6/2015	Alekhin	D14/307
D781,279	S	*	3/2017	Horn, II	D14/307
D783,596	S	*	4/2017	Payne	D14/307
D811,381	S	*	2/2018	Morohoshi	D14/307
9,883,737	B2	*	2/2018	Lanphear	A47B 21/02
D818,464	S	*	5/2018	Berini	D14/307
D924,222	S	*	7/2021	Lee	D14/307
D932,810	S	*	10/2021	Hill	D6/642

OTHER PUBLICATIONS

“Kiosks—LA Exhibits.” Found online Jun. 15, 2022 at www.laexhibits.com. Page archived Sep. 26, 2020. Retrieved from URL: <https://web.archive.org/web/20200926131540/https://laexhibits.com/kiosks/> (Year: 2020).*

* cited by examiner

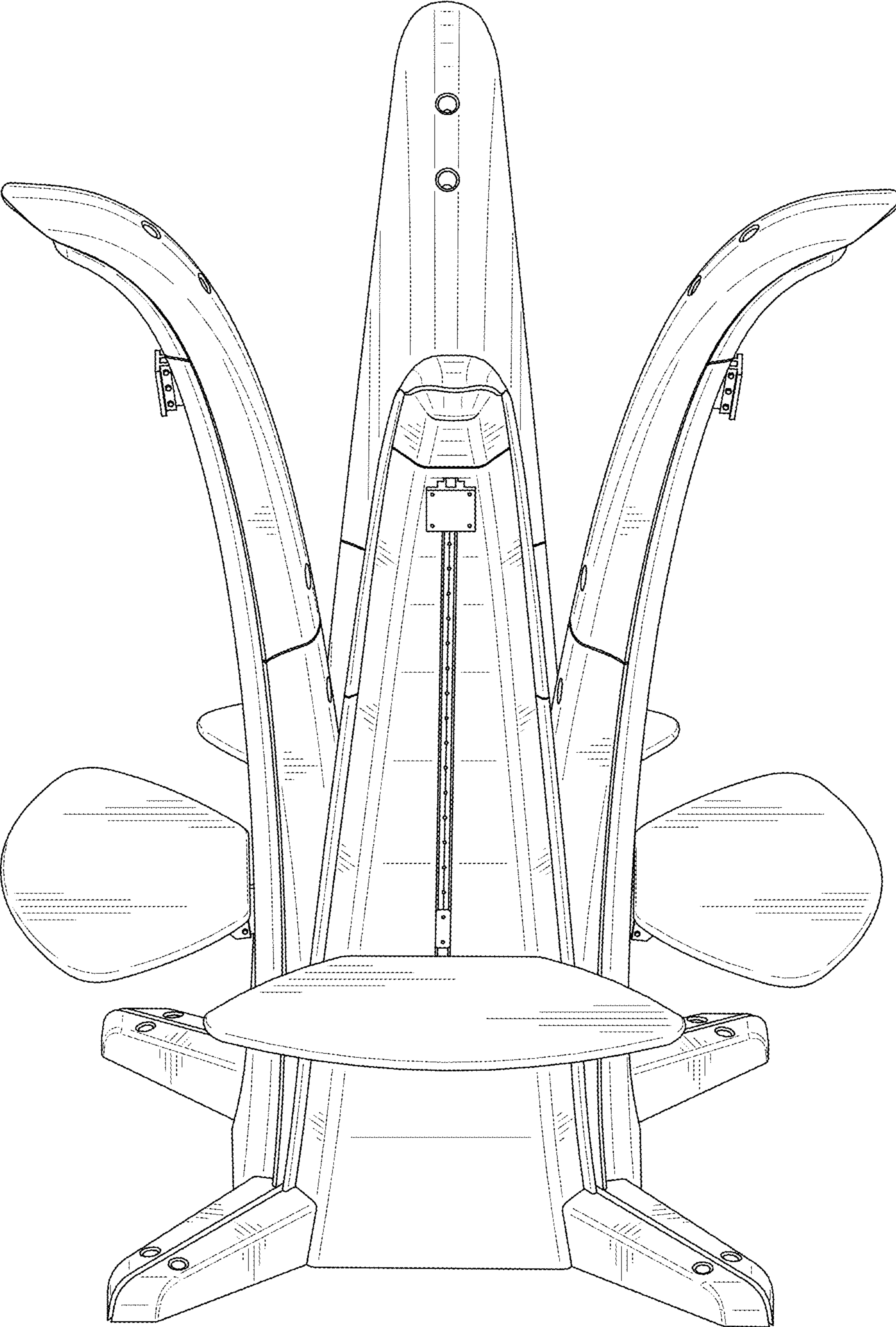


FIG. 1

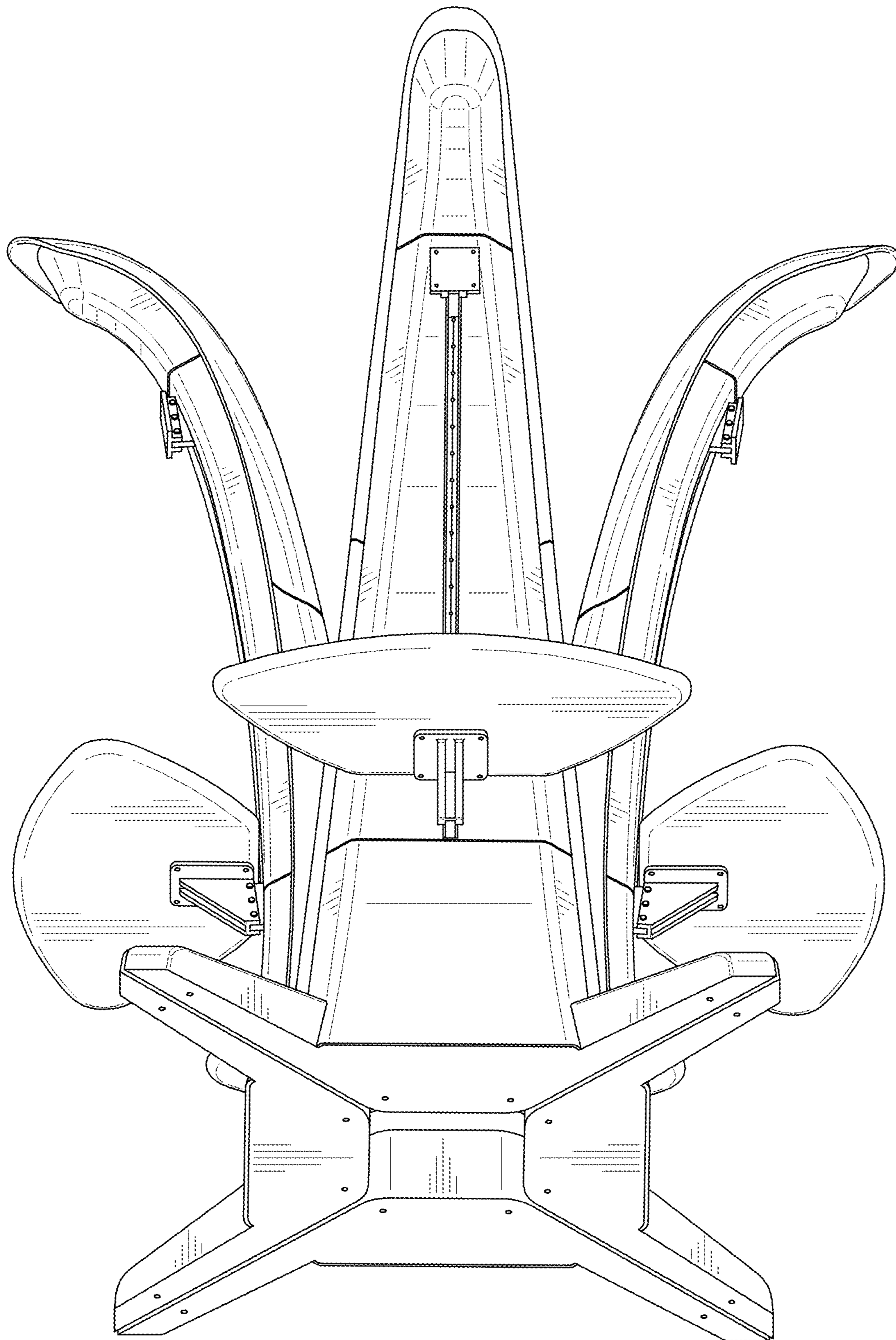


FIG. 2

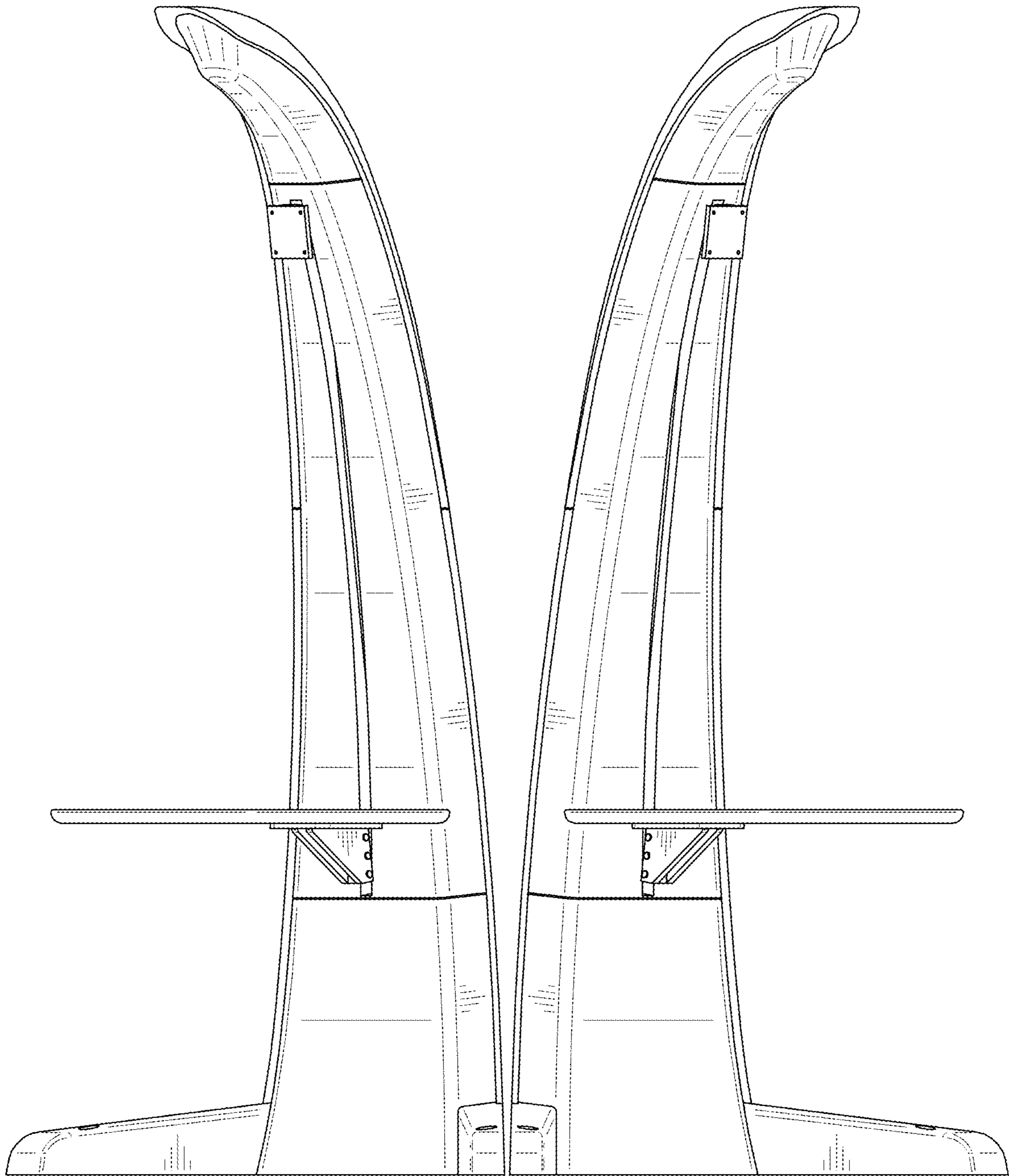


FIG. 3

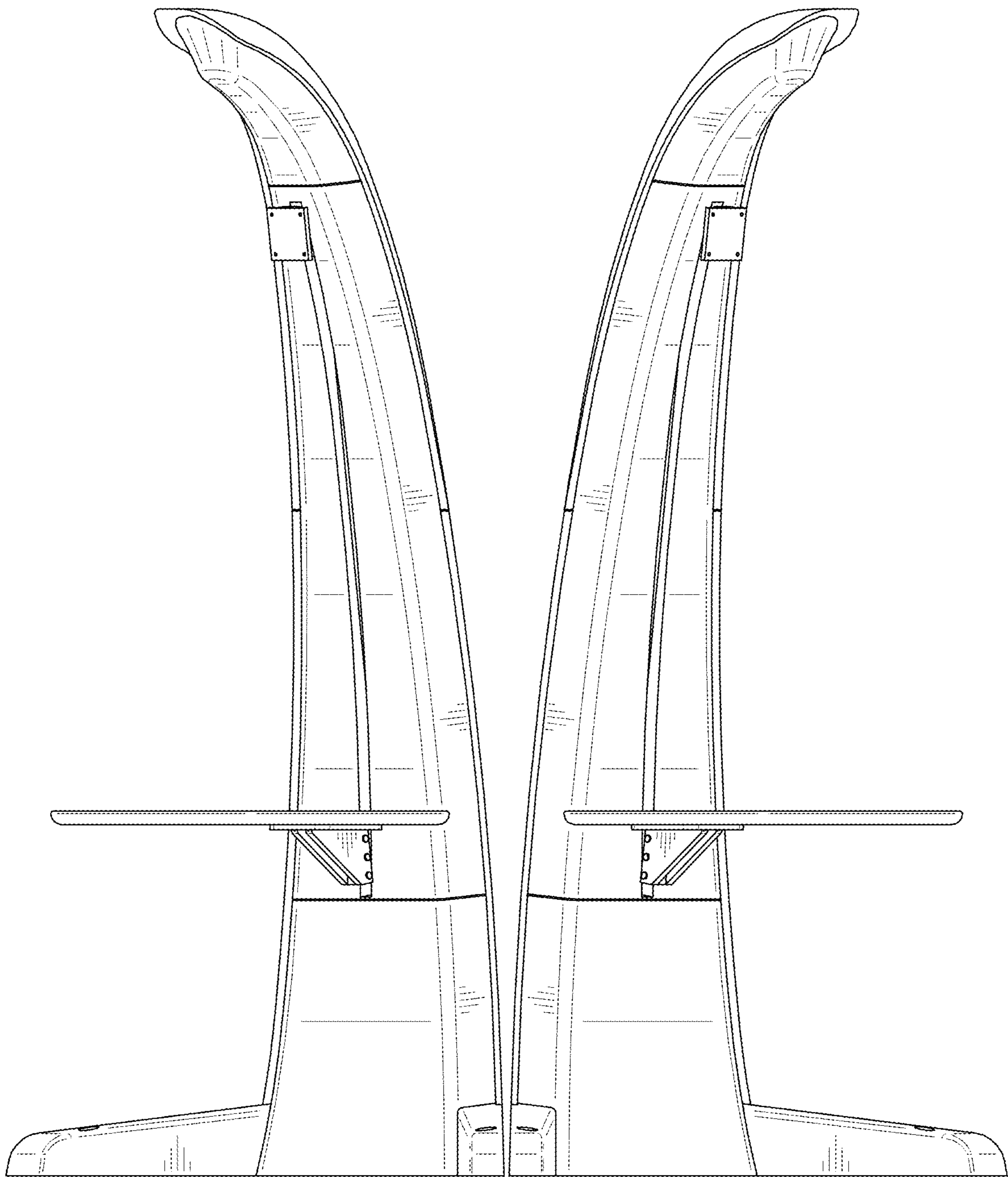


FIG. 4

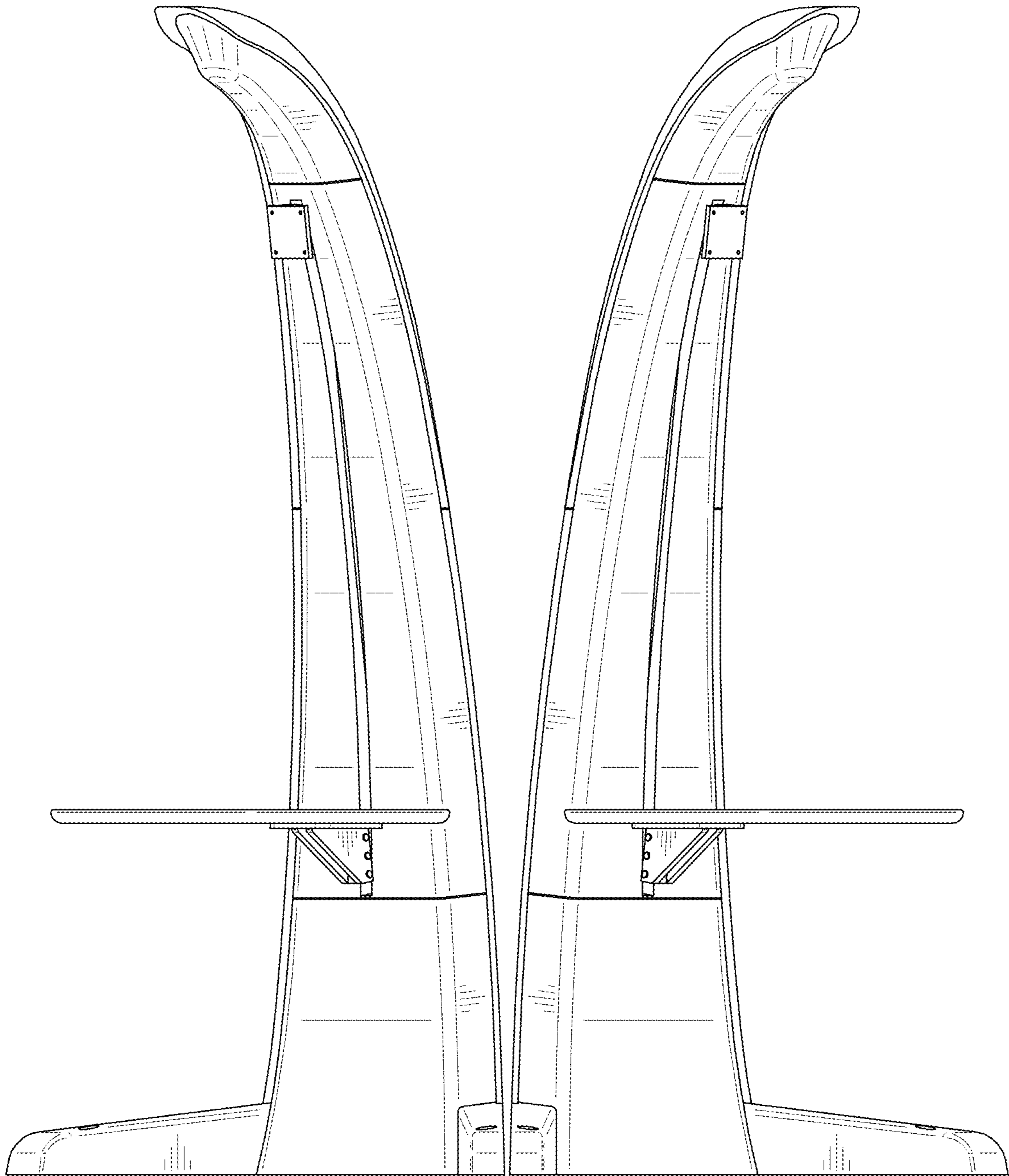


FIG. 5

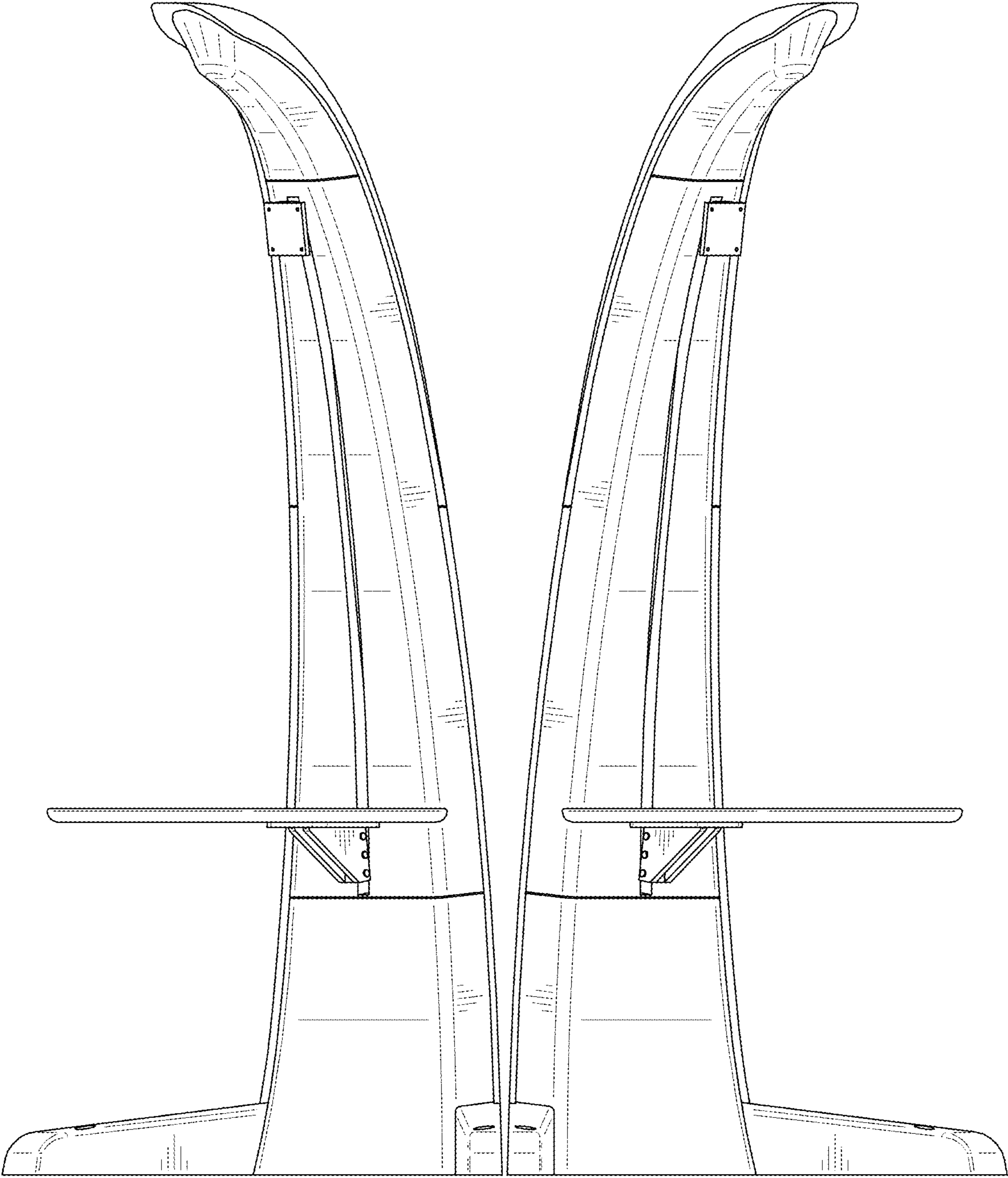


FIG. 6

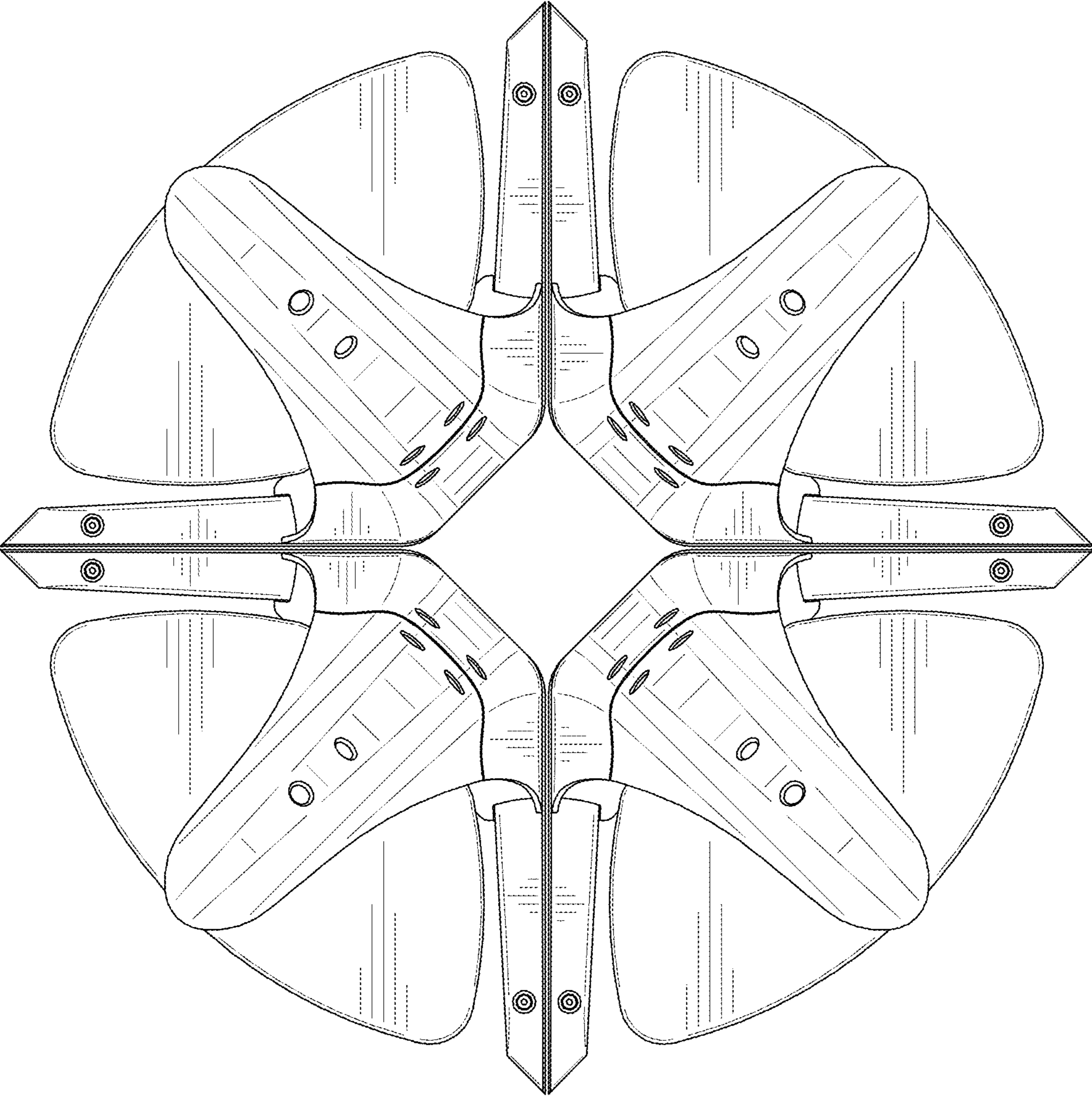


FIG. 7

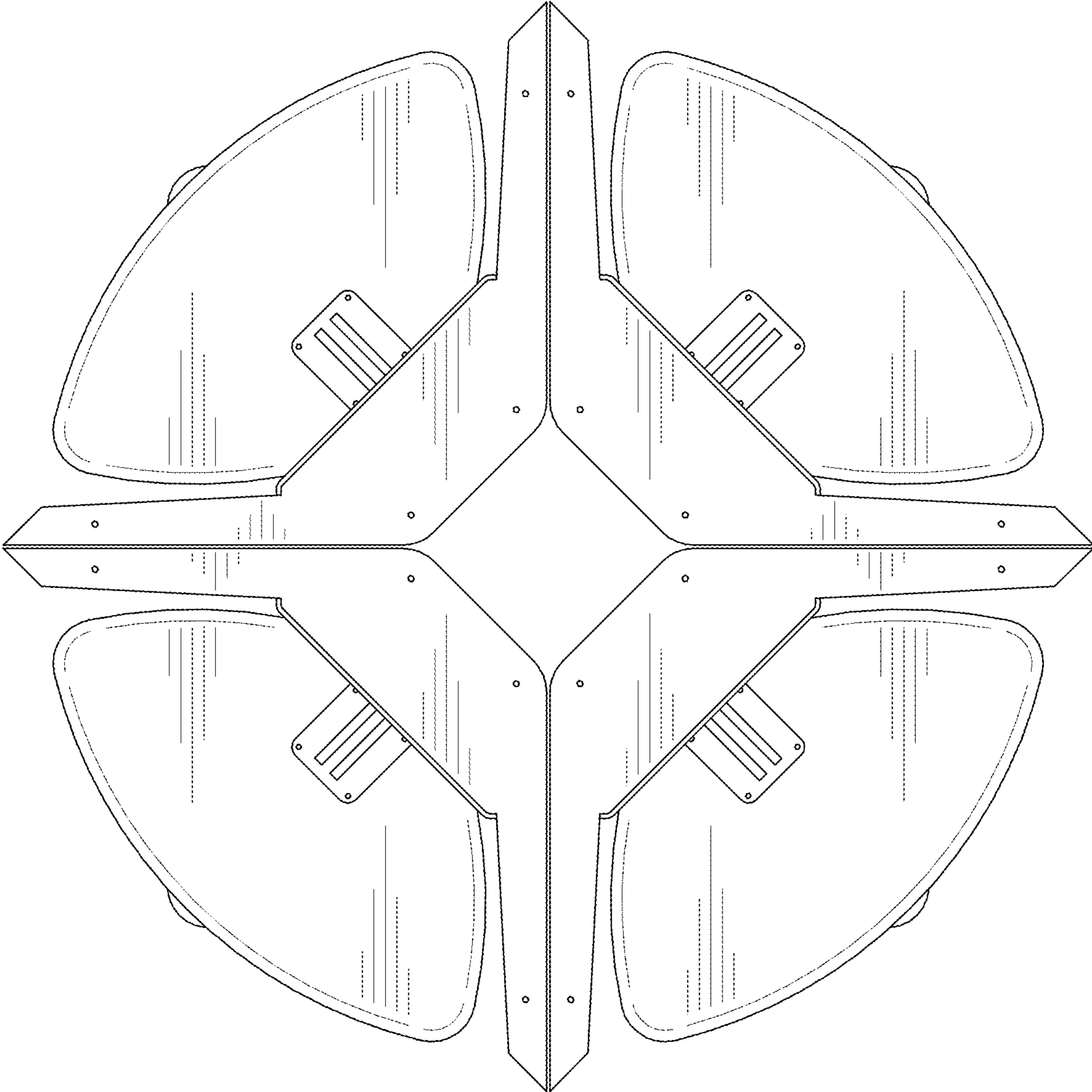


FIG. 8

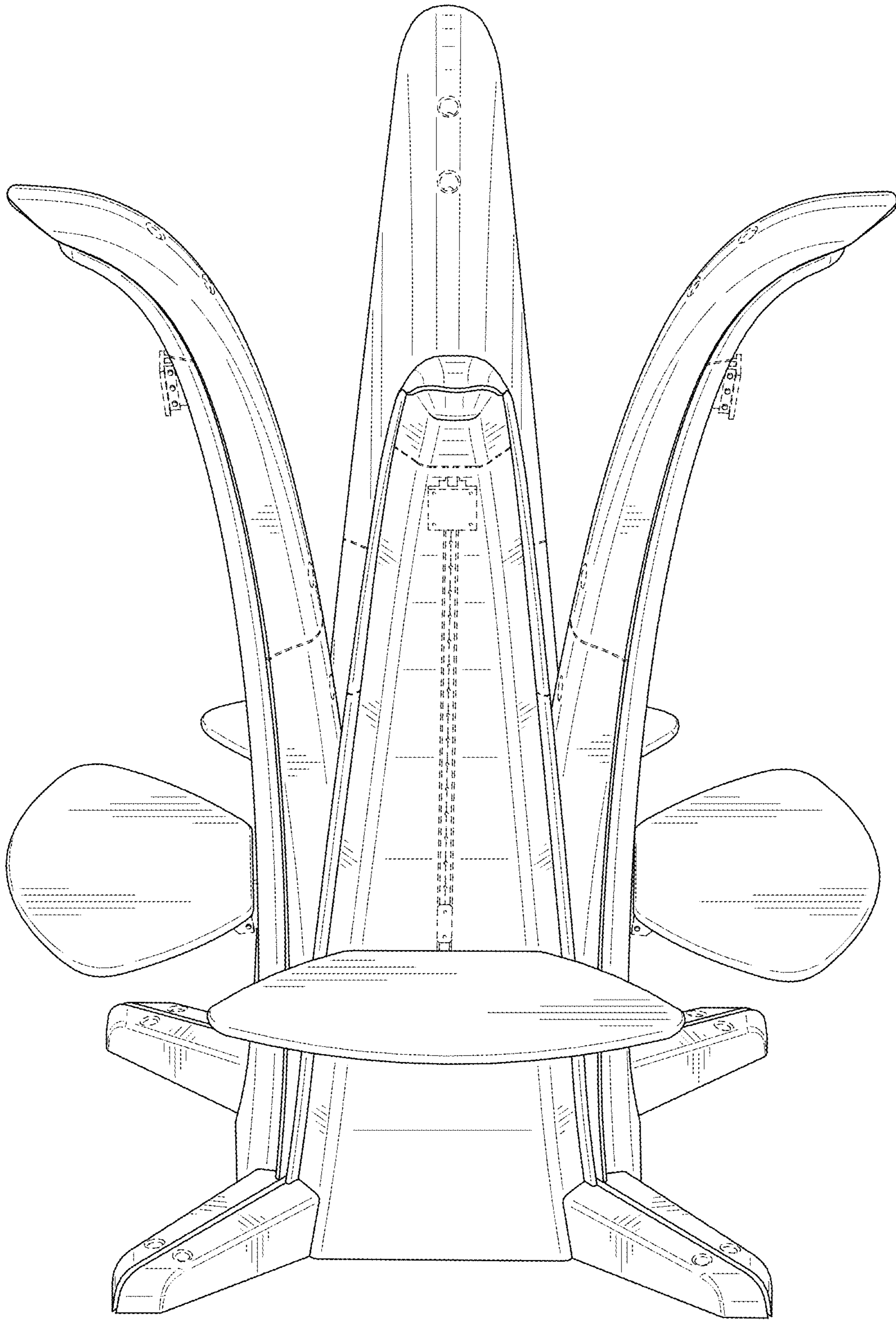


FIG. 9

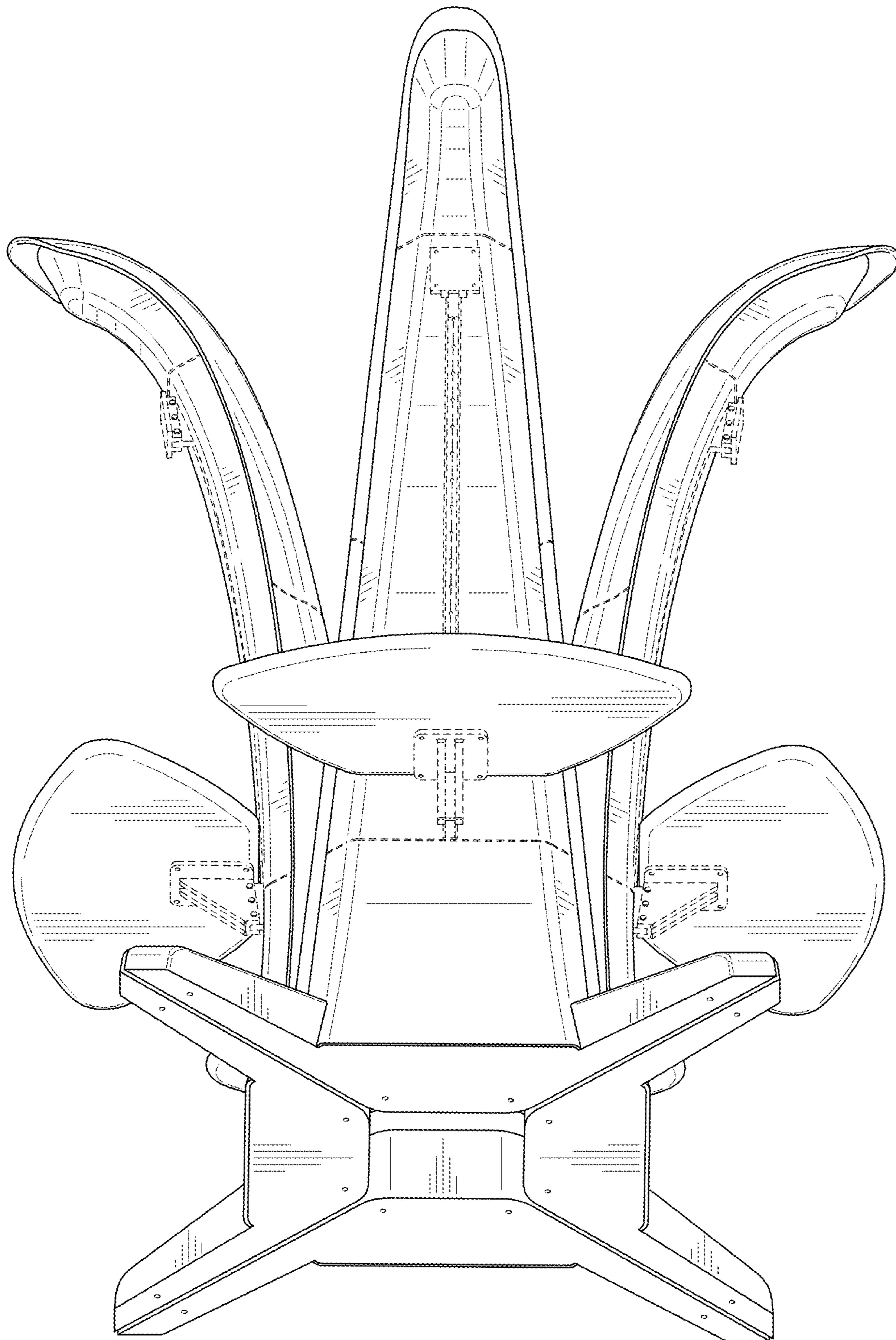


FIG. 10

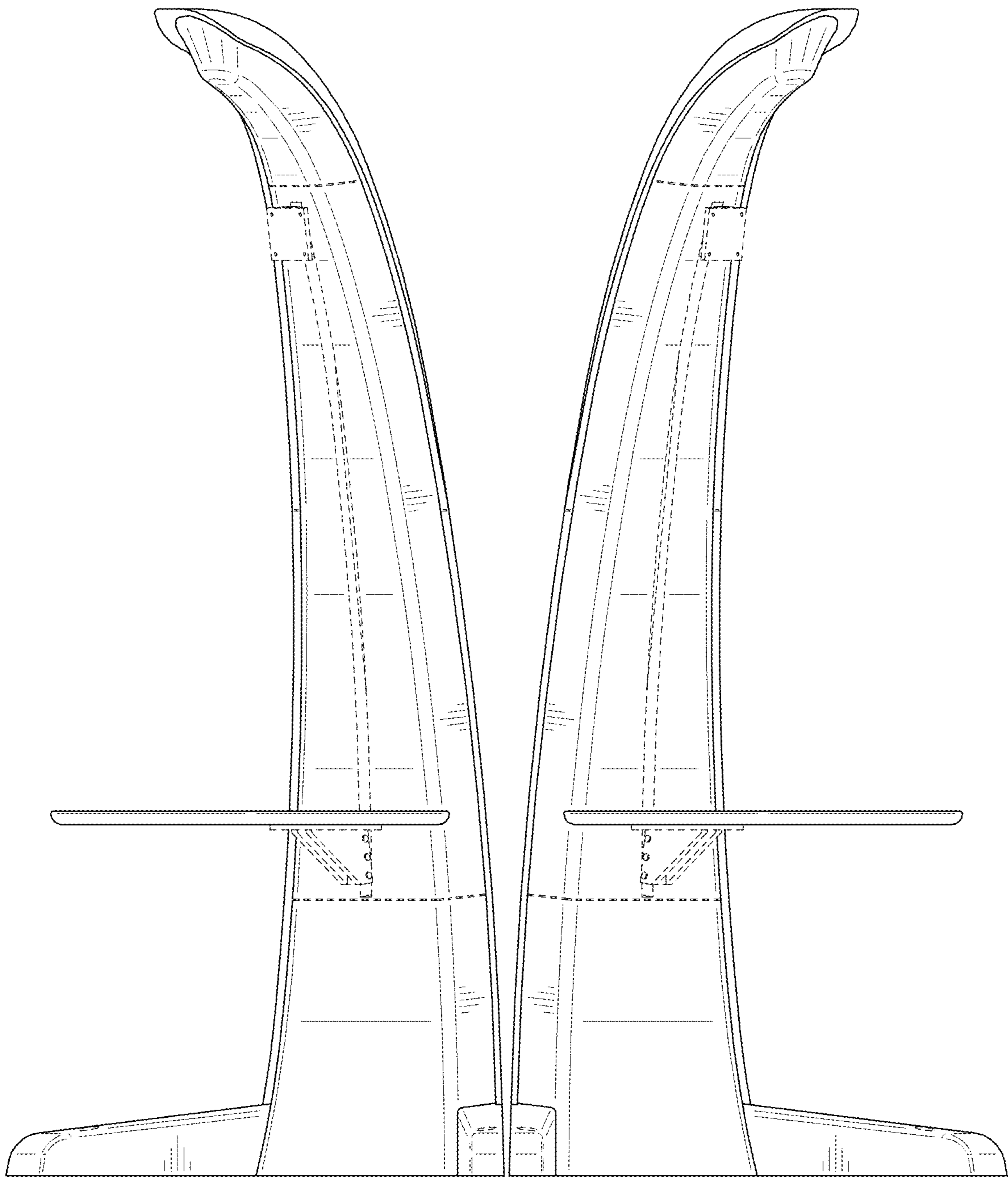


FIG. 11

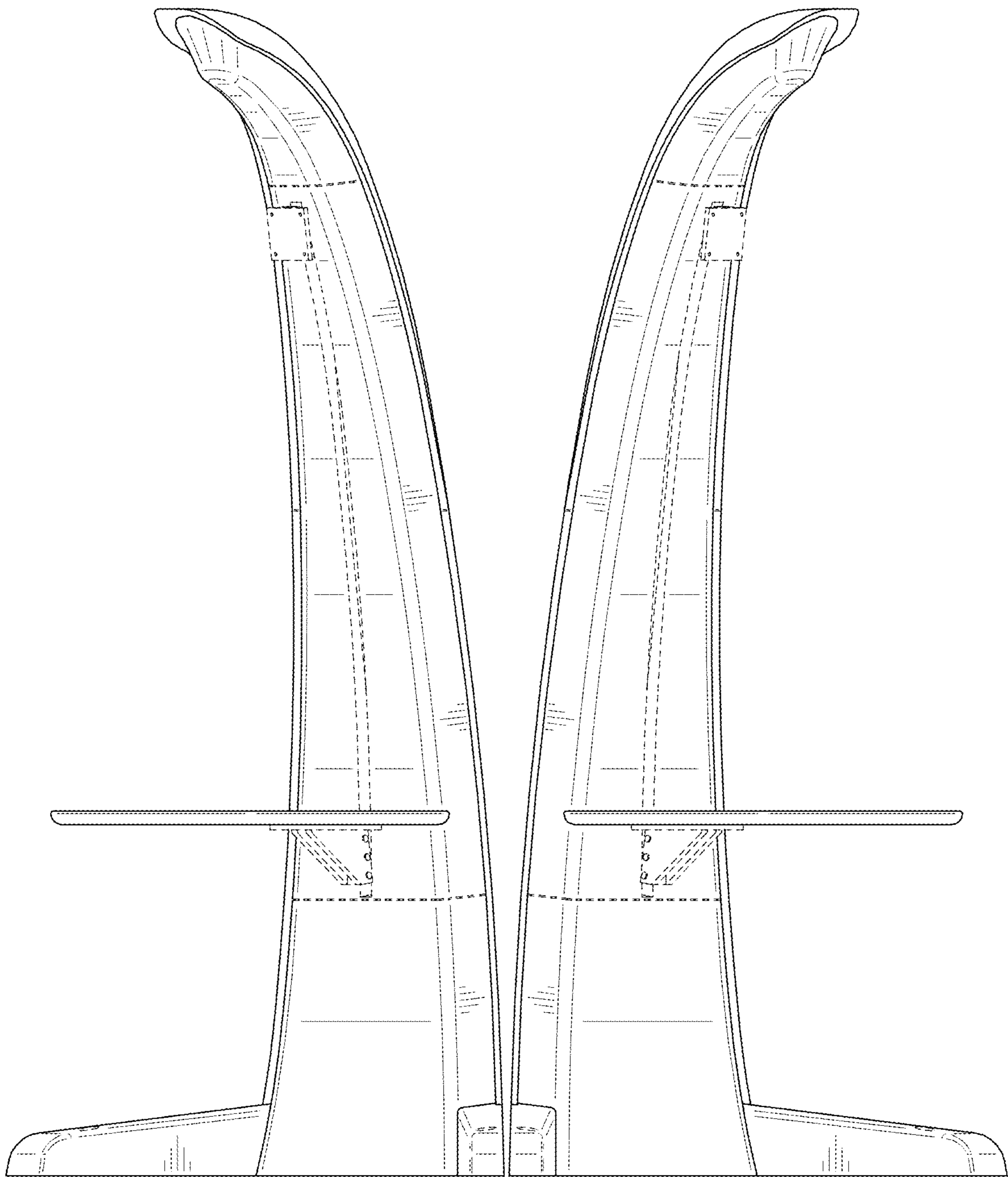


FIG. 12

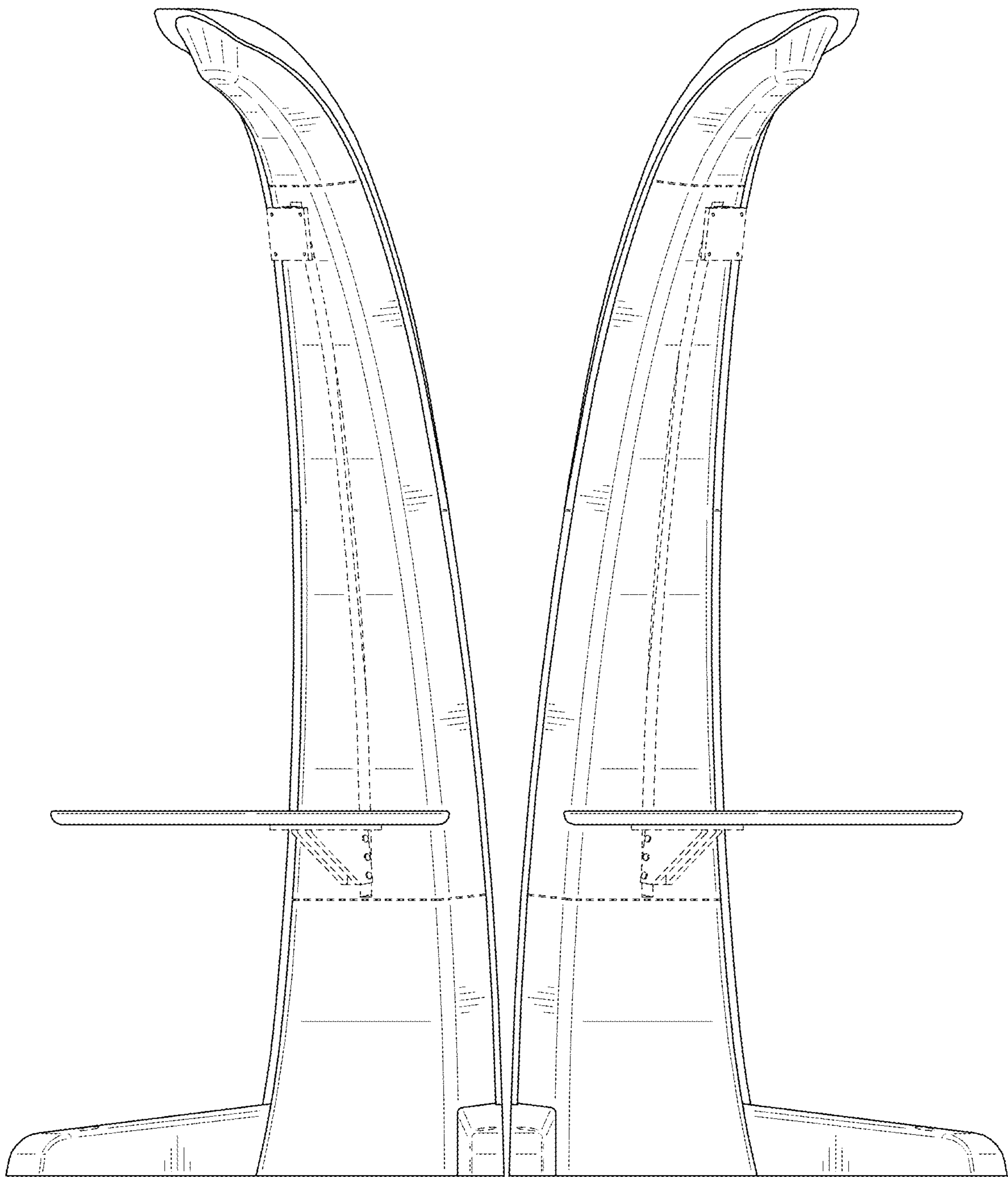


FIG. 13

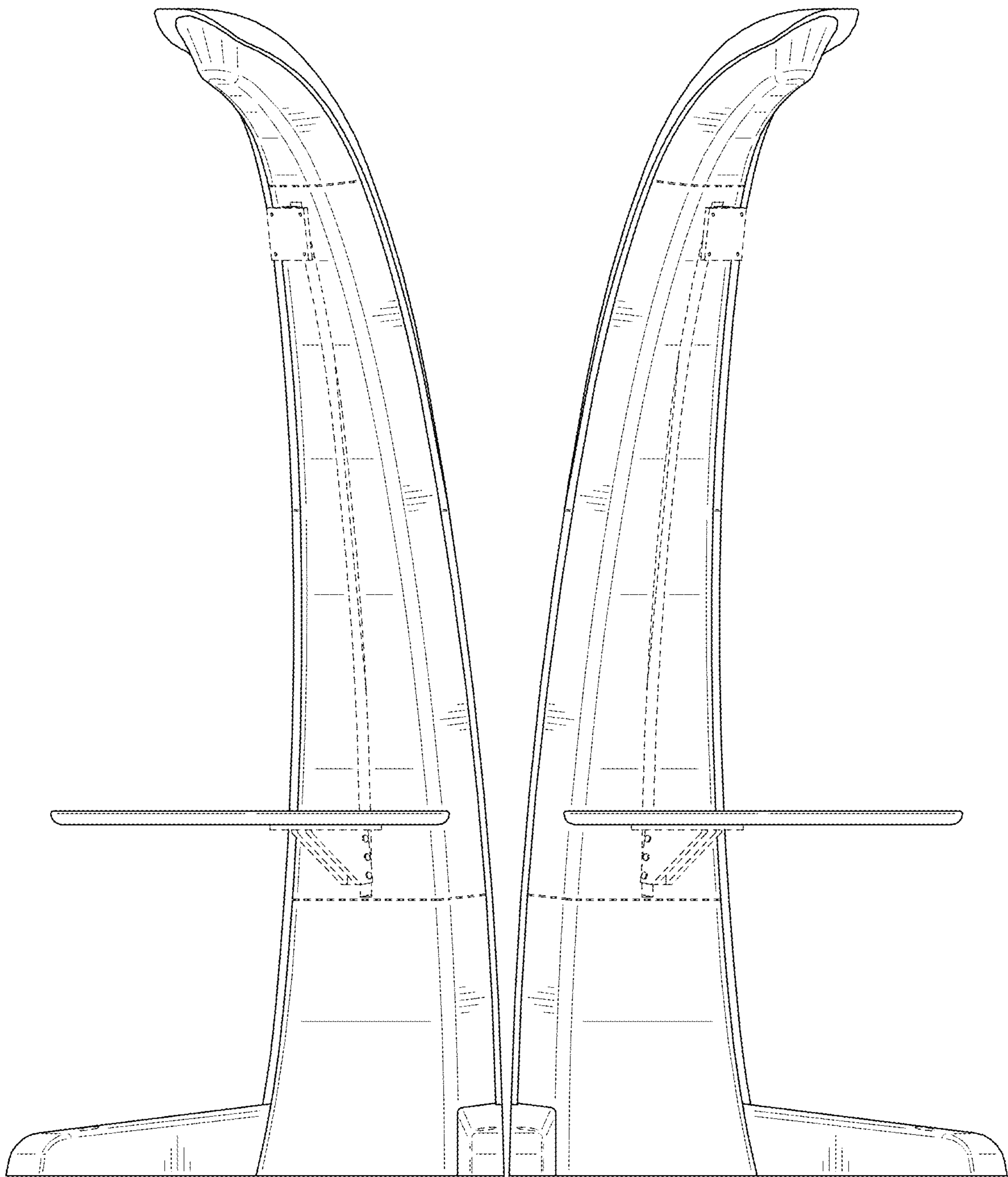


FIG. 14

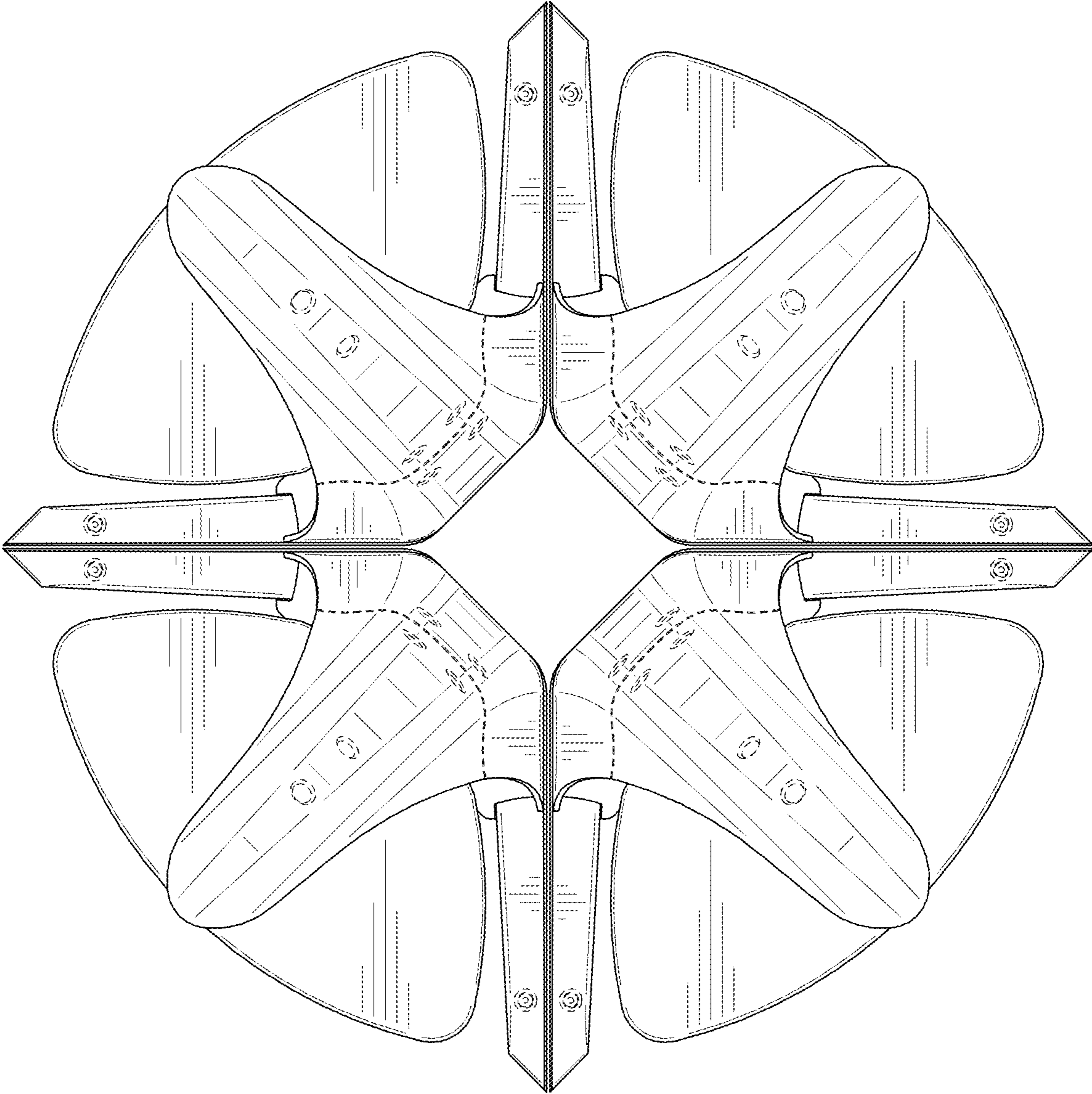


FIG. 15

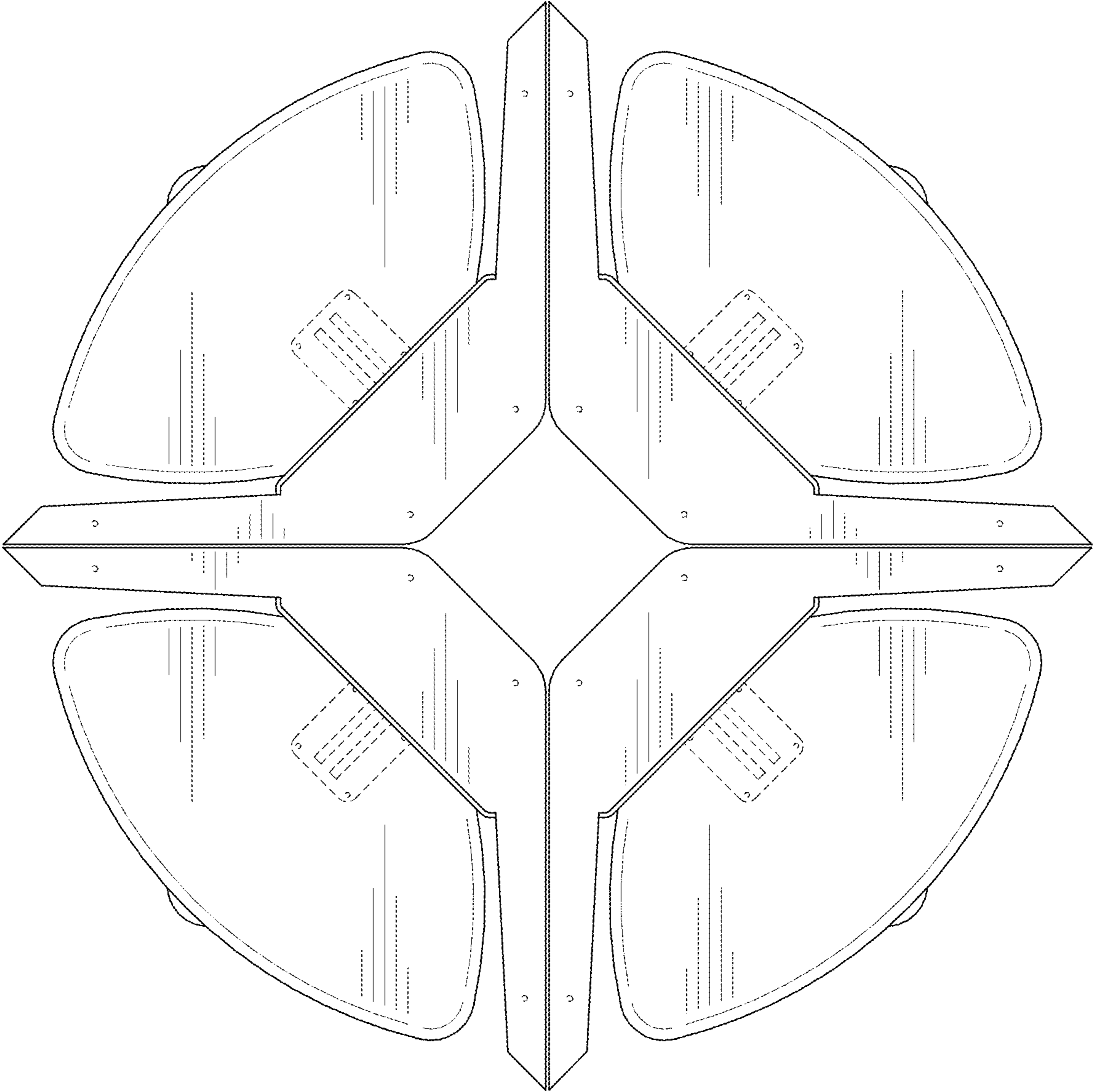


FIG. 16