

US00D977281S

(12) **United States Design Patent** (10) **Patent No.:** **US D977,281 S**
Zeng (45) **Date of Patent:** **** Feb. 7, 2023**

(54) **TOWEL BAR**
(71) Applicant: **Jinming Zeng**, Chaozhou (CN)
(72) Inventor: **Jinming Zeng**, Chaozhou (CN)
(**) Term: **15 Years**
(21) Appl. No.: **29/790,910**
(22) Filed: **Dec. 21, 2021**
(51) **LOC (14) Cl.** **23-08**
(52) **U.S. Cl.**
USPC **D6/549**
(58) **Field of Classification Search**
USPC D6/512, 513, 515, 518, 521, 522, 523,
D6/524, 546, 547, 548, 549, 550, 553,
D6/675.2, 566, 567; D8/315, 316, 319,
D8/320; D23/303, 304; 211/16, 88.04,
211/105.1, 6, 45, 89.01, 100; 248/251,
248/309.1
CPC A47B 47/0058; A47B 96/027
See application file for complete search history.

D897,724 S 10/2020 Garland
D911,741 S 3/2021 Lazarini et al.
D918,618 S 5/2021 Lazarini

FOREIGN PATENT DOCUMENTS

CN 300925258 * 5/2009
CN 303321476 * 8/2015
CN 307195098 * 3/2022
CN 307195099 * 3/2022
EM 008802599-0001 * 1/2022
EM 008802599-0002 * 1/2022

* cited by examiner

Primary Examiner — Marie D. Fast Horse
Assistant Examiner — Jennifer Sierra Yosinski
(74) *Attorney, Agent, or Firm* — Rumit Ranjit Kanakia

(57) **CLAIM**

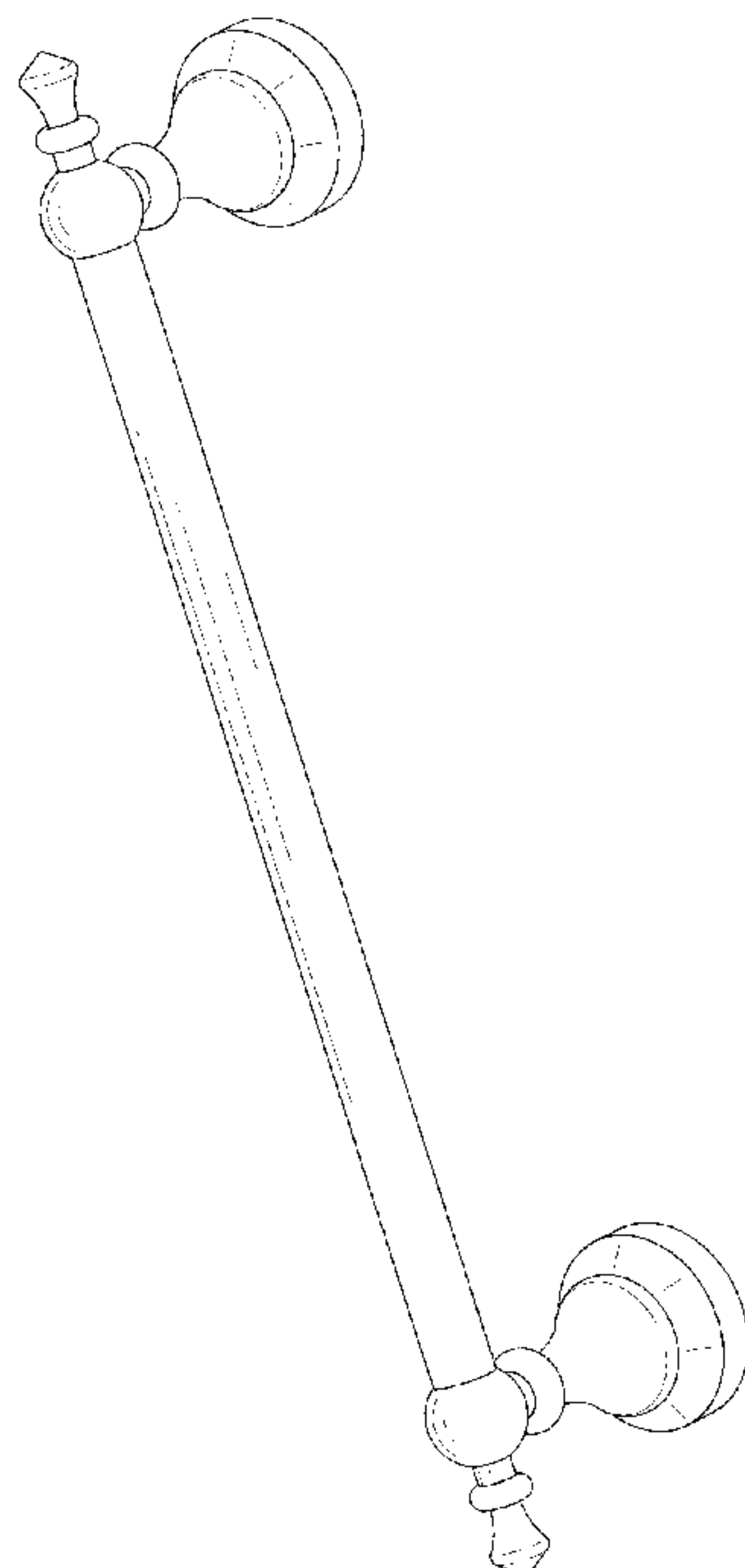
The ornamental design for a towel bar, as shown and described.

DESCRIPTION

FIG. 1 is a first perspective view of a towel bar showing my new design;
FIG. 2 is a second perspective view thereof;
FIG. 3 is a front view thereof;
FIG. 4 is a back view thereof;
FIG. 5 is a left side view thereof;
FIG. 6 is a right side view thereof;
FIG. 7 is a top view thereof; and,
FIG. 8 is a bottom view thereof.
The broken lines shown in the drawings depict portions of the towel bar in which the design is embodied that form no part of the claimed design.

(56) **References Cited**
U.S. PATENT DOCUMENTS
D361,006 S * 8/1995 Sharpe D6/524
D392,139 S * 3/1998 Wu D6/549
D463,935 S * 10/2002 Zhao D6/549
D472,417 S * 4/2003 Hunt D6/549
D477,740 S * 7/2003 Gilbert D6/549
D479,931 S * 9/2003 Gilbert D6/549
D512,593 S * 12/2005 Ferrer Beltran D6/546
D514,856 S * 2/2006 Ferrer Beltran D6/523
D540,588 S * 4/2007 Hoernig D6/523
D544,269 S * 6/2007 Hoernig D6/549
D658,745 S * 5/2012 Obara D23/304
D854,350 S * 7/2019 Bahler D6/549

1 Claim, 8 Drawing Sheets



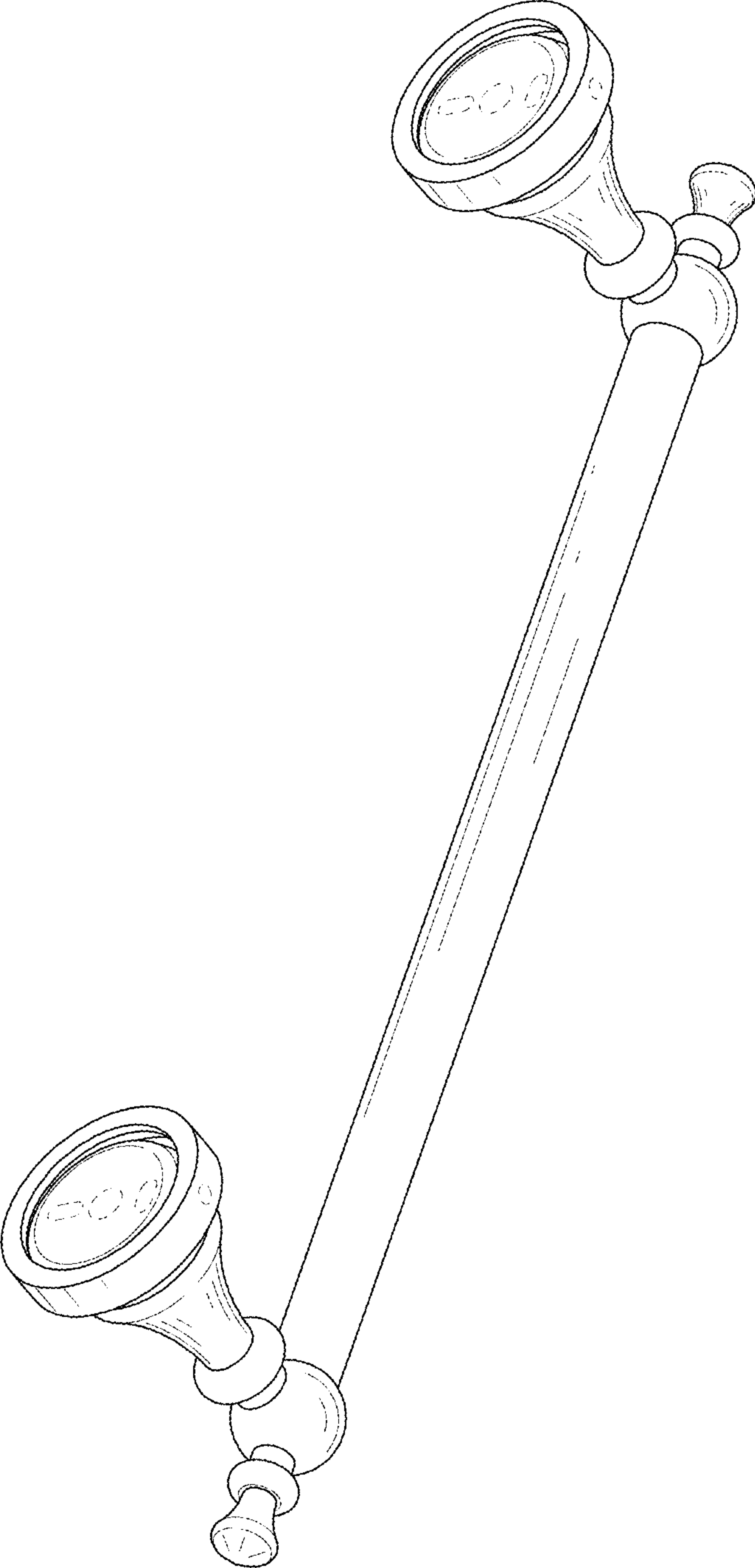


FIG. 1

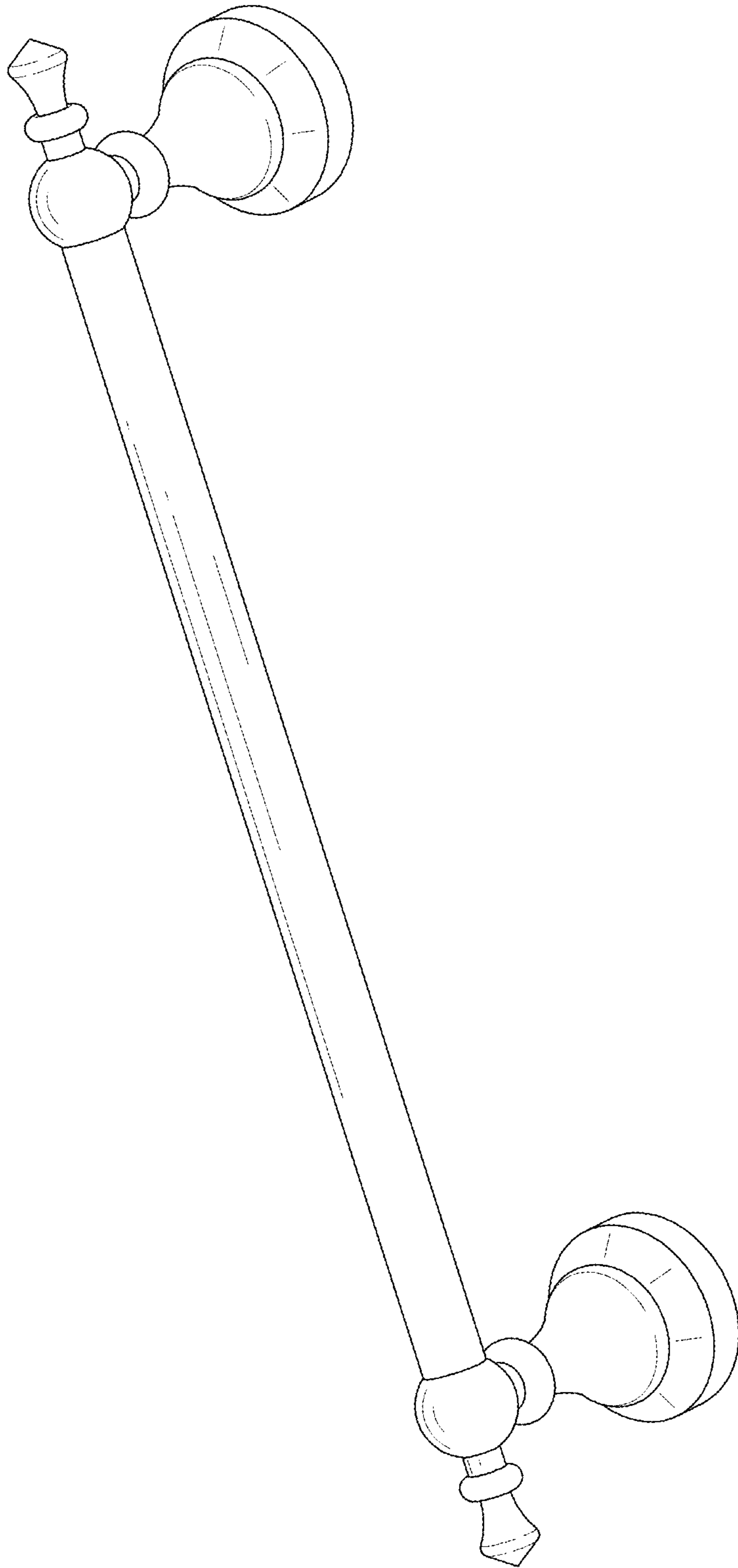


FIG. 2

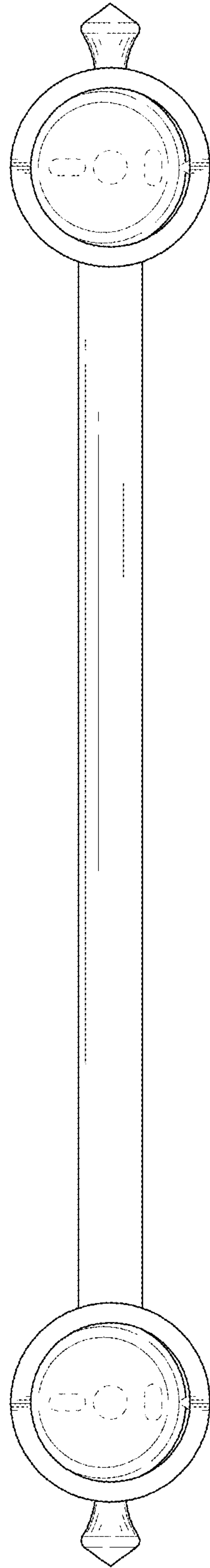


FIG. 3

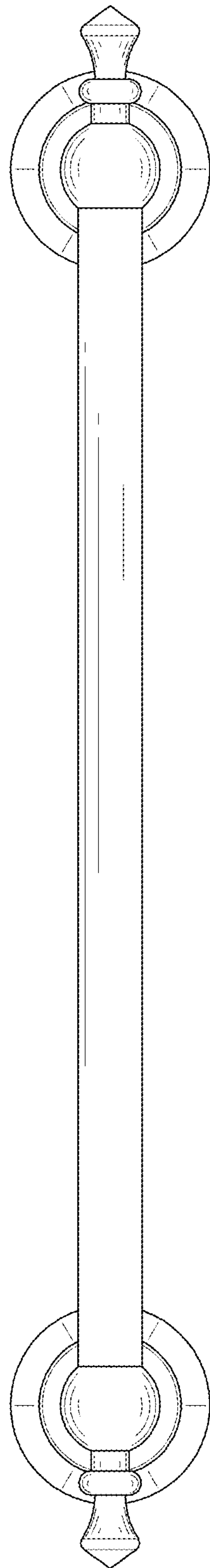


FIG. 4

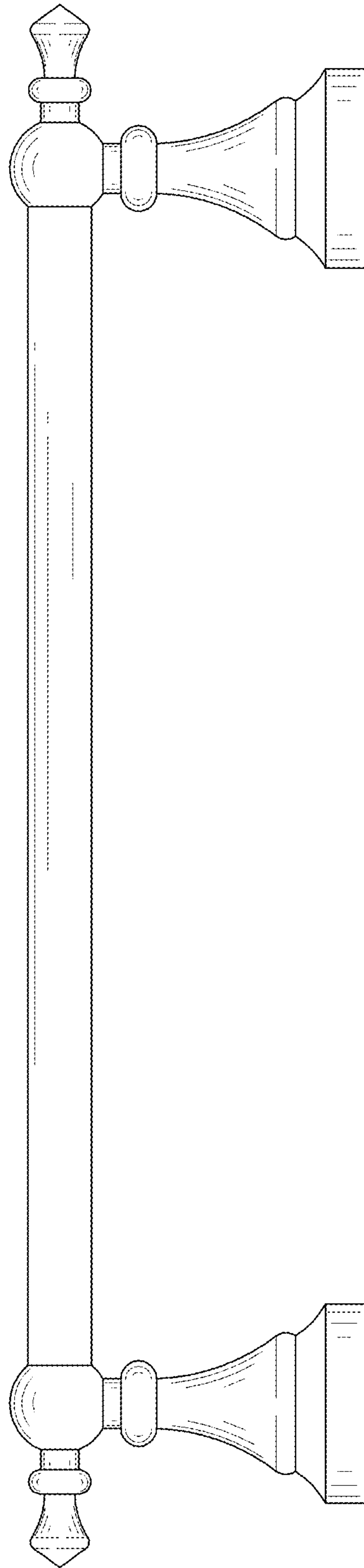


FIG. 5

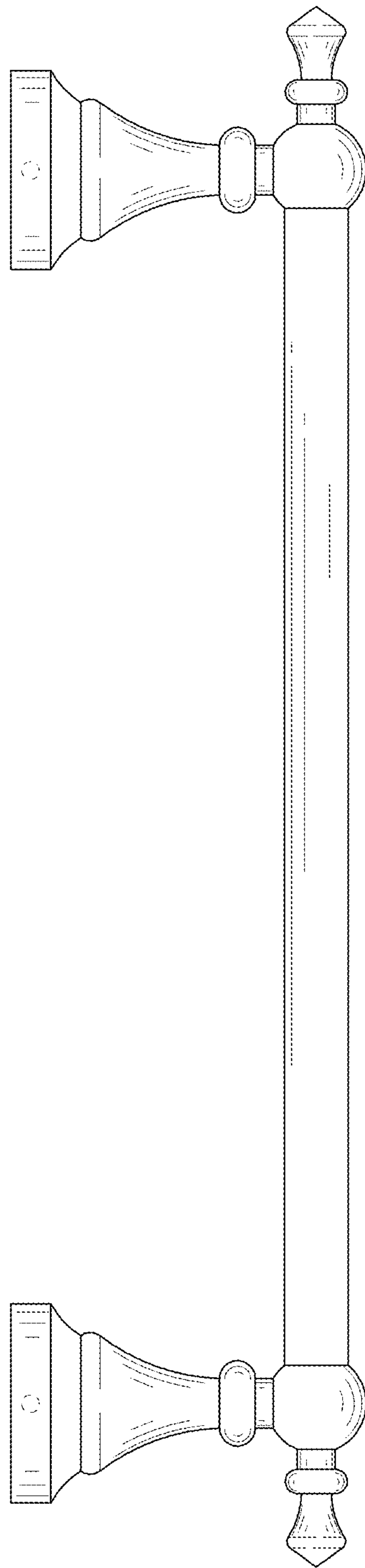


FIG. 6

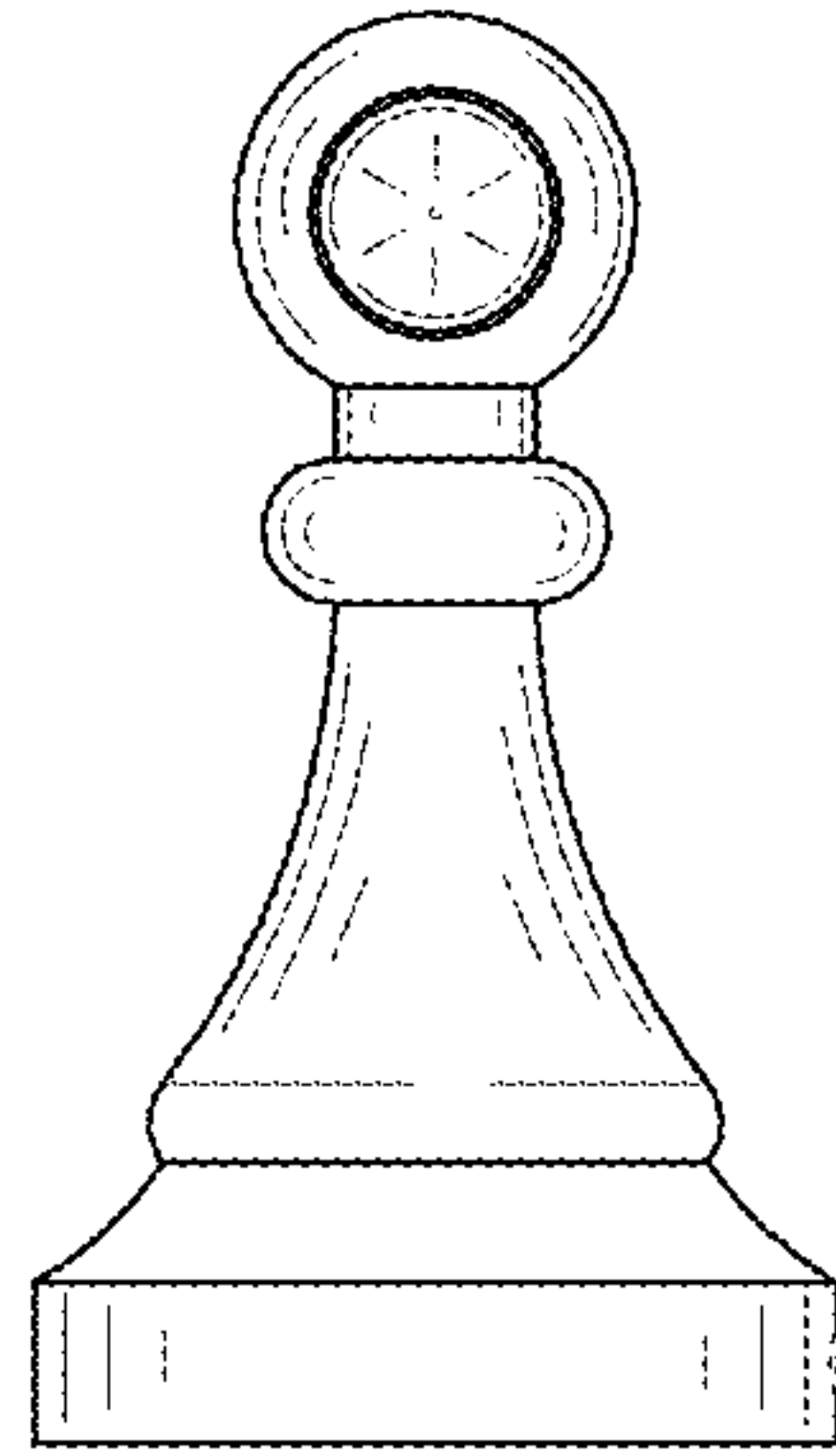


FIG. 7

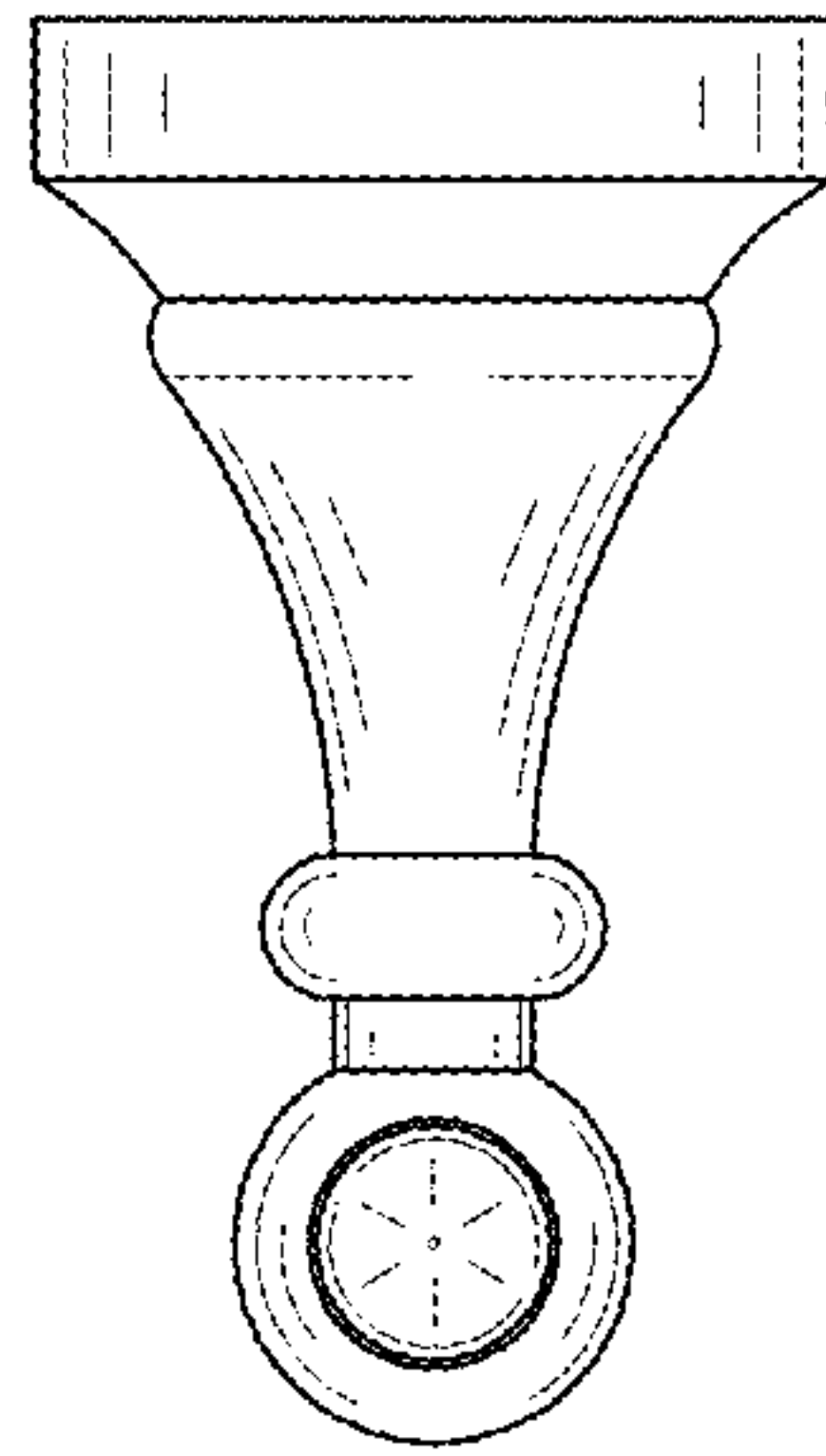


FIG. 8