



US00D977279S

(12) **United States Design Patent**
Jing

(10) **Patent No.:** **US D977,279 S**

(45) **Date of Patent:** **** Feb. 7, 2023**

- (54) **SANITIZER MACHINE**
- (71) Applicant: **Ningbo Forward Plastic Co., Ltd.**,
Zhejiang (CN)
- (72) Inventor: **Weilie Jing**, Guangdong (CN)
- (73) Assignee: **Ningbo Forward Plastic Co., Ltd.**,
Yuyao (CN)
- (**) Term: **15 Years**
- (21) Appl. No.: **29/764,730**
- (22) Filed: **Dec. 31, 2020**
- (51) **LOC (14) Cl.** **23-08**
- (52) **U.S. Cl.**
USPC **D6/542**
- (58) **Field of Classification Search**
USPC D6/512, 515, 518, 522, 542, 524, 543,
D6/545; D9/447, 448, 434, 436, 454,
D9/529, 558, 602, 686, 689; D24/130;
D7/306, 312, 313, 316, 322, 397, 398,
D7/589; D13/158; D23/245, 248, 262,
D23/263
CPC A47K 5/1214; A47K 5/14; A47K 2210/00;
B01F 25/316; B05B 11/3035
See application file for complete search history.

- D911,739 S * 3/2021 Zhao D6/542
- D937,606 S * 12/2021 Chen D6/542
- D953,062 S * 5/2022 Wang D6/542
- D953,063 S * 5/2022 Schmidt D6/542
- D959,171 S * 8/2022 Lauritzen D6/542

OTHER PUBLICATIONS

Nsrie Touchless Hand Sanitizer Dispenser, available in Amazon.ca, date first available Apr. 9, 2022 [online], Retrieved on Sep. 13, 2022 from URL: <https://www.amazon.ca/Touchless-Sanitizer-Dispenser-Dispensing-Infrared/dp/B09XKD5M4D/> (Year: 2022).*

* cited by examiner

Primary Examiner — Vy N Koenig
Assistant Examiner — Michelle M Reeves

(74) *Attorney, Agent, or Firm* — Dragon Sun Law Firm,
PC; Jinggao Li; Nathaniel Perkins

(57) **CLAIM**

The ornamental design for a sanitizer machine, as shown and described.

DESCRIPTION

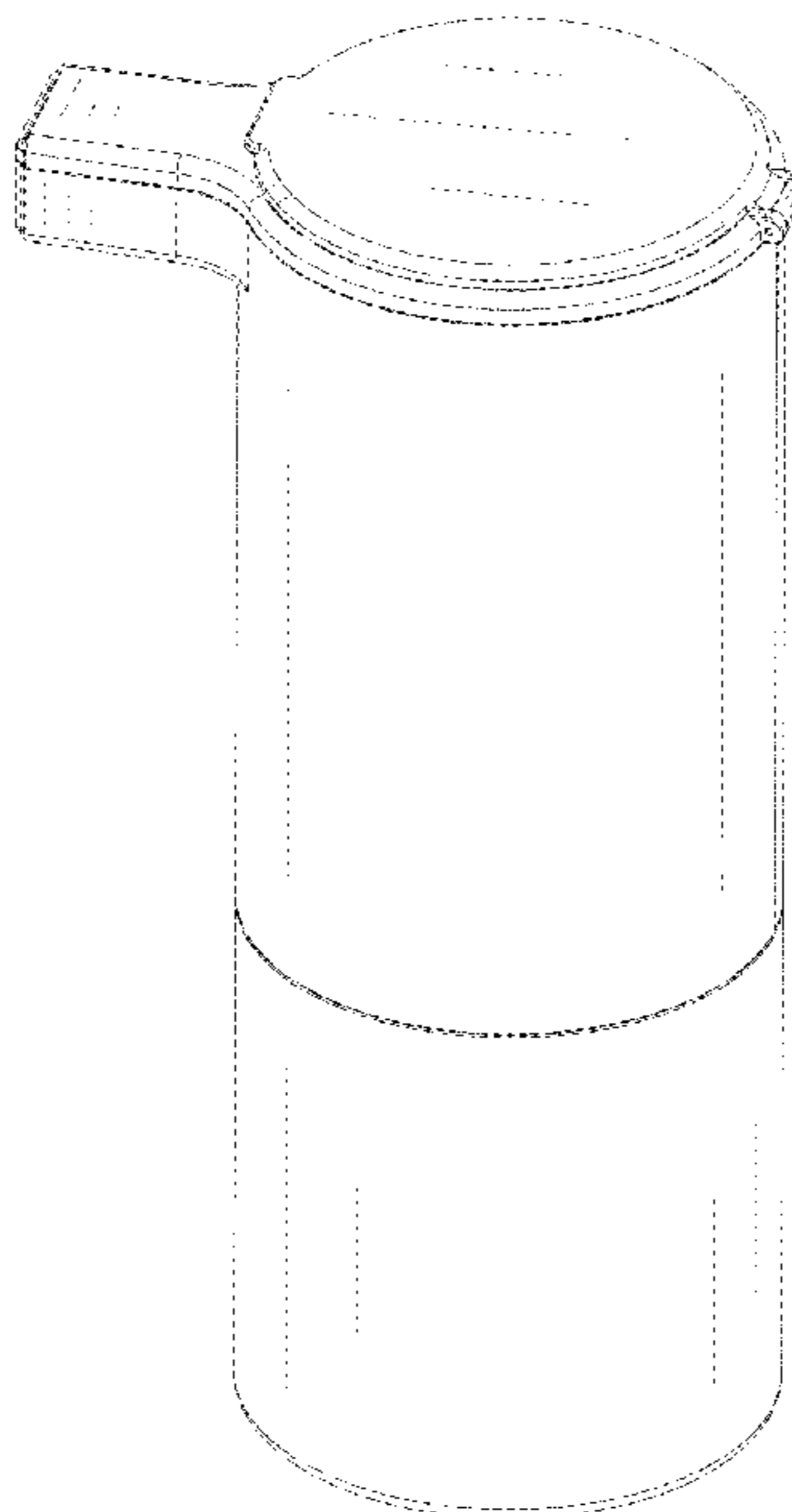
FIG. 1 is a top front perspective view of a sanitizer machine showing my new design;
FIG. 2 is a bottom rear perspective view of FIG. 1;
FIG. 3 is a front view of FIG. 1;
FIG. 4 is a rear view of FIG. 1;
FIG. 5 is a left view of FIG. 1;
FIG. 6 is a right view of FIG. 1;
FIG. 7 is a top view of FIG. 1;
FIG. 8 is a bottom view of FIG. 1; and,
FIG. 9 is a top front perspective view of the sanitizer machine with the lid open.
The broken lines shown on the drawings depict portions of the sanitizer machine that form no part of the claimed design.

1 Claim, 9 Drawing Sheets

(56) **References Cited**

U.S. PATENT DOCUMENTS

- D224,600 S * 8/1972 Glaberson D6/543
- D674,636 S * 1/2013 Yang D6/542
- D679,527 S * 4/2013 Schick D6/515
- D699,047 S * 2/2014 Lissoni D6/542
- D770,798 S * 11/2016 Yang D6/542
- D818,741 S * 5/2018 Yang D6/542
- D897,721 S * 10/2020 Jia D6/542
- D906,723 S * 1/2021 Chen D6/542



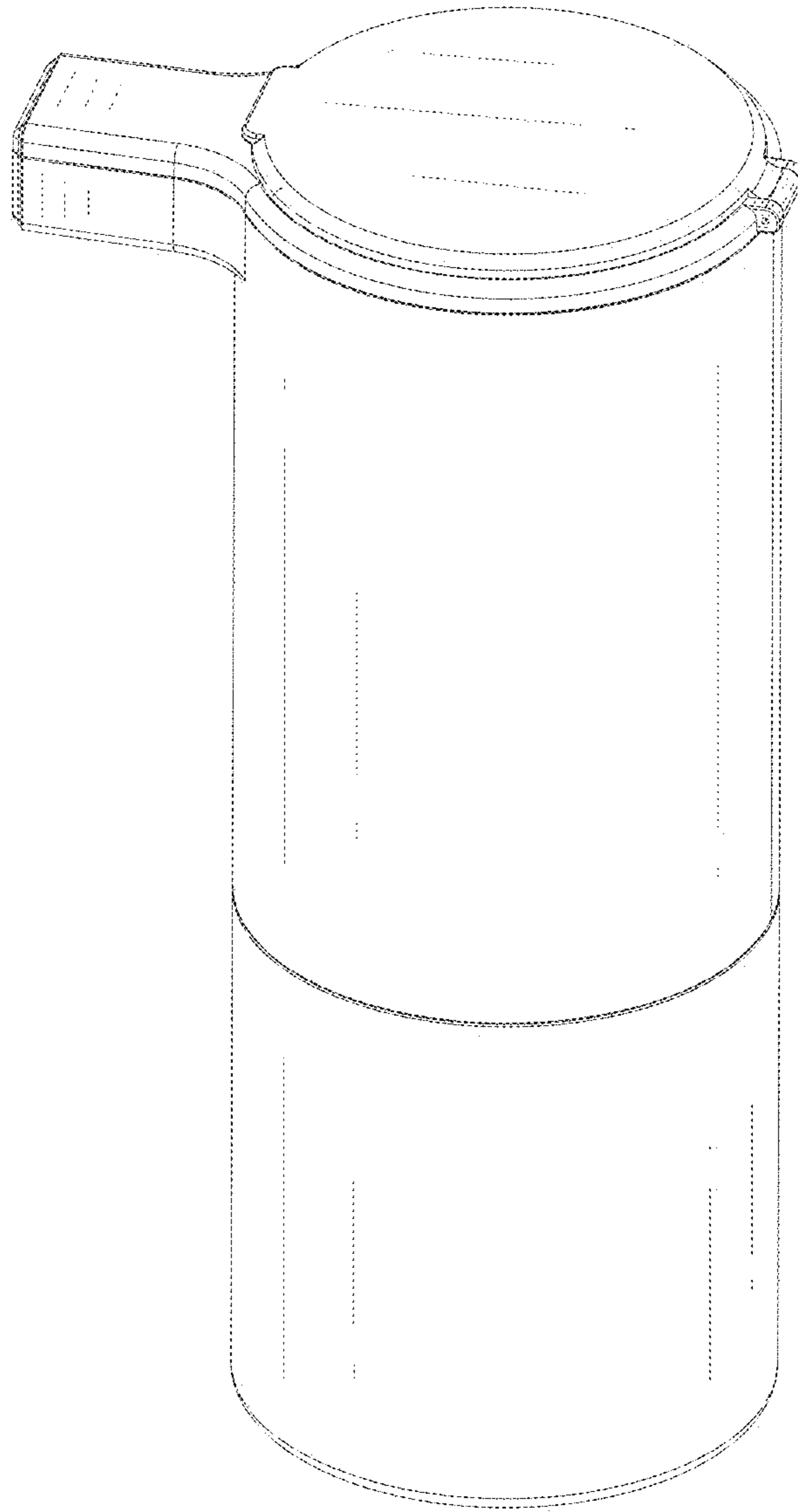


FIG. 1

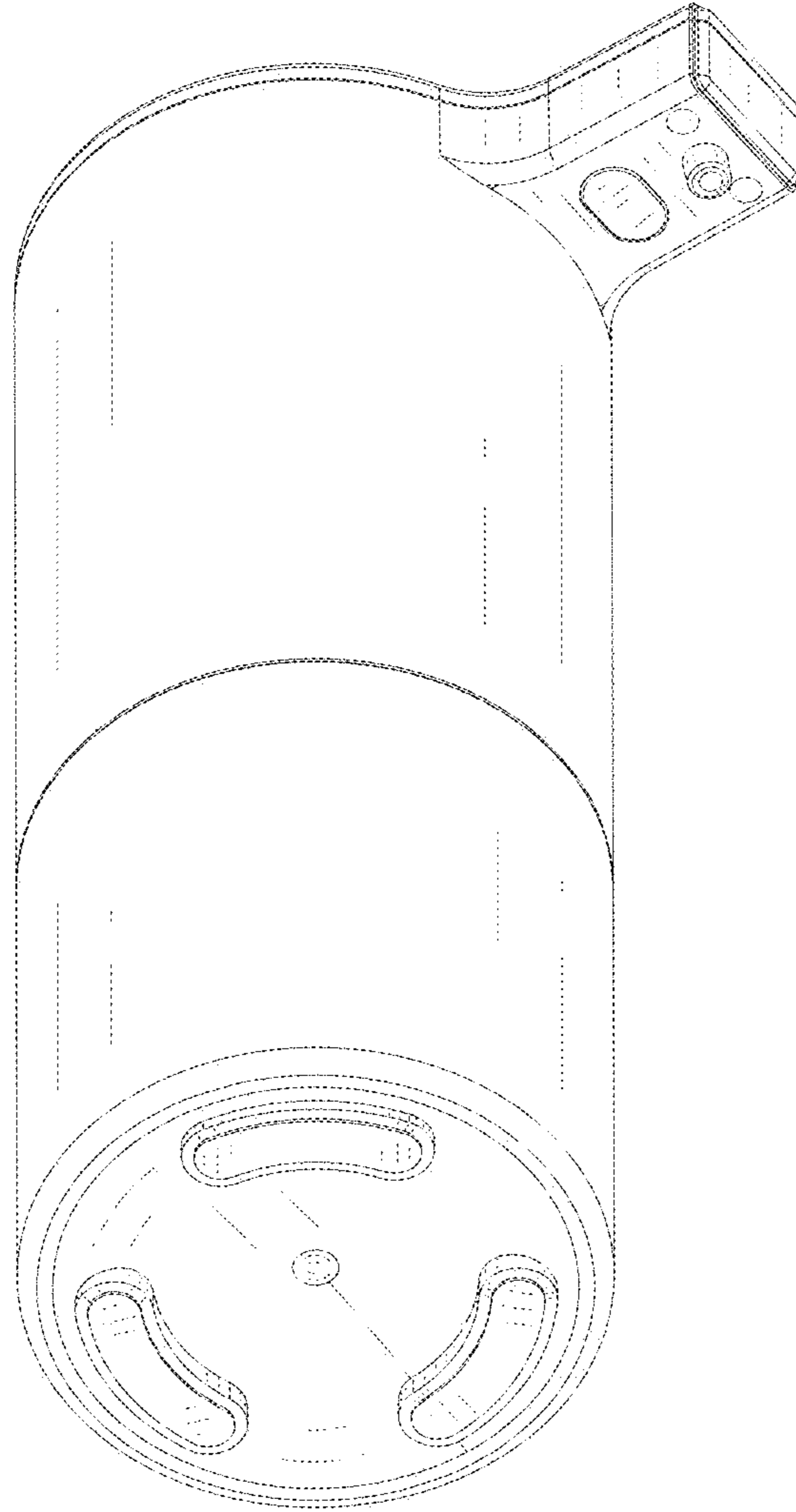


FIG. 2

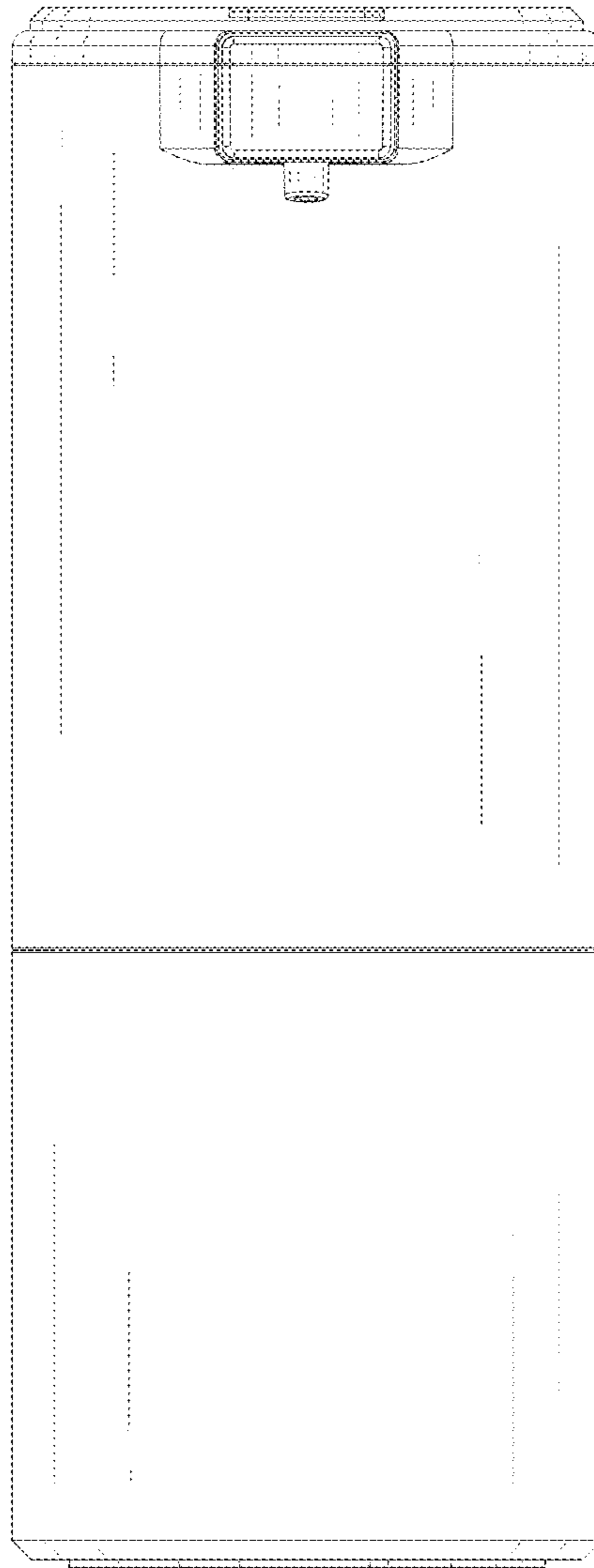


FIG. 3

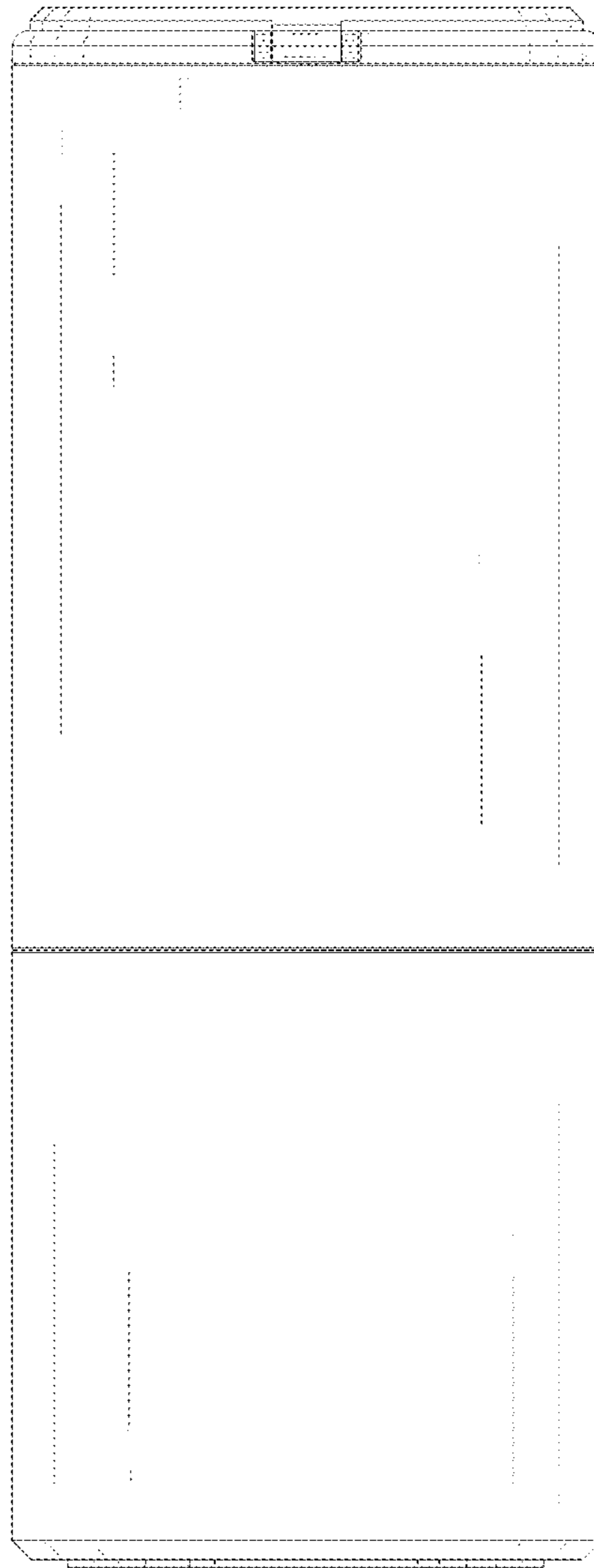


FIG. 4

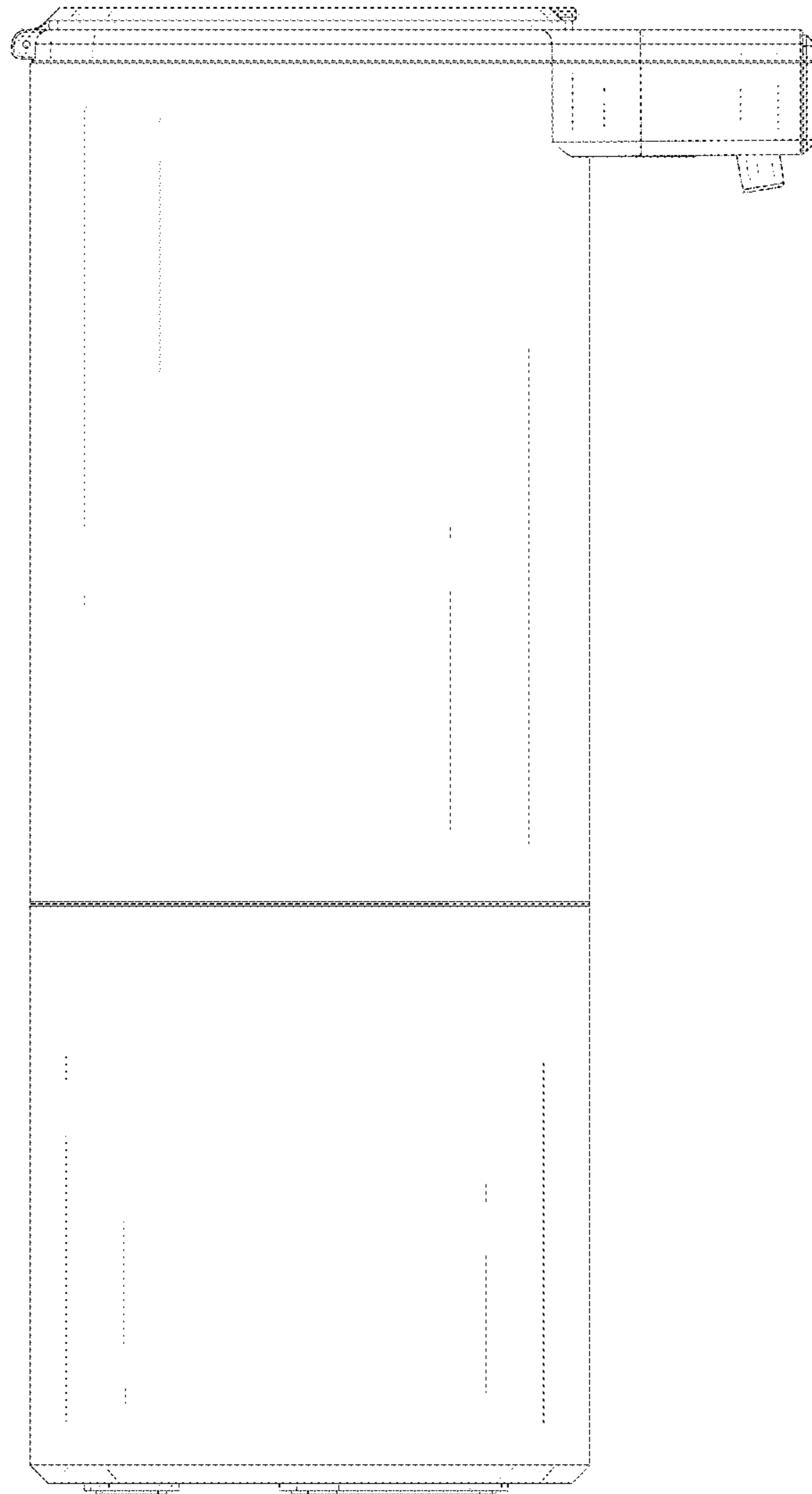


FIG. 5

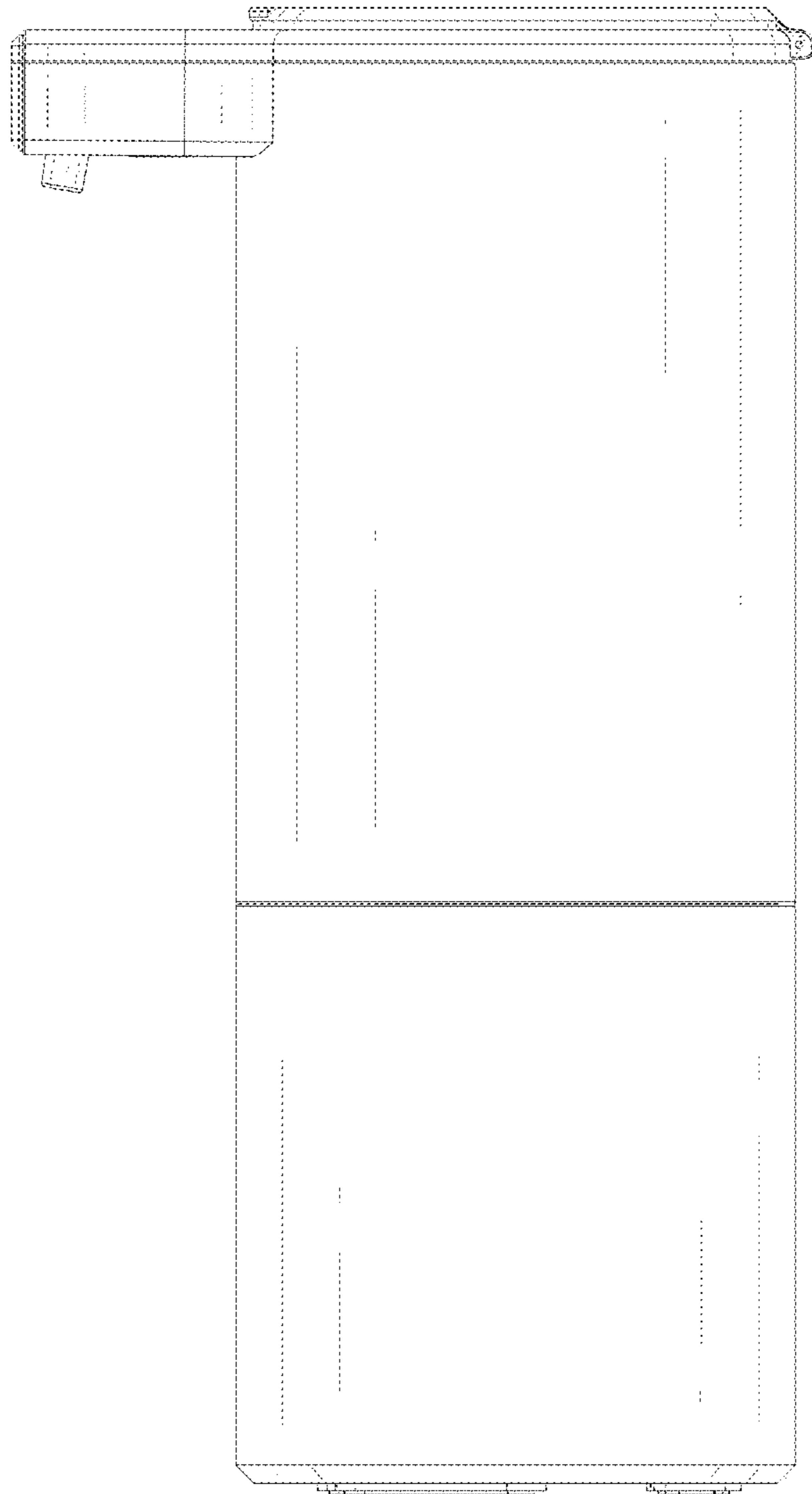


FIG. 6

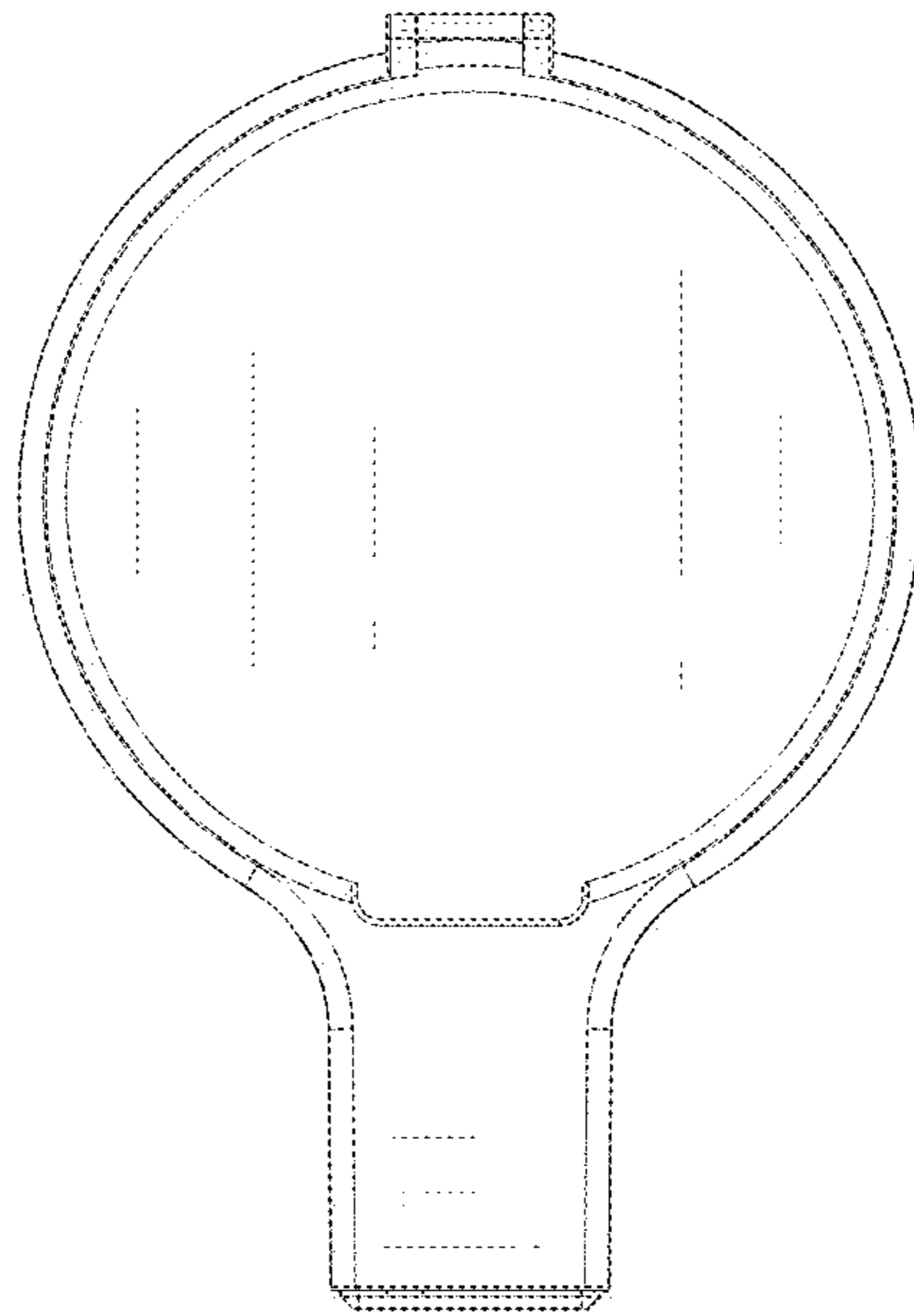


FIG. 7

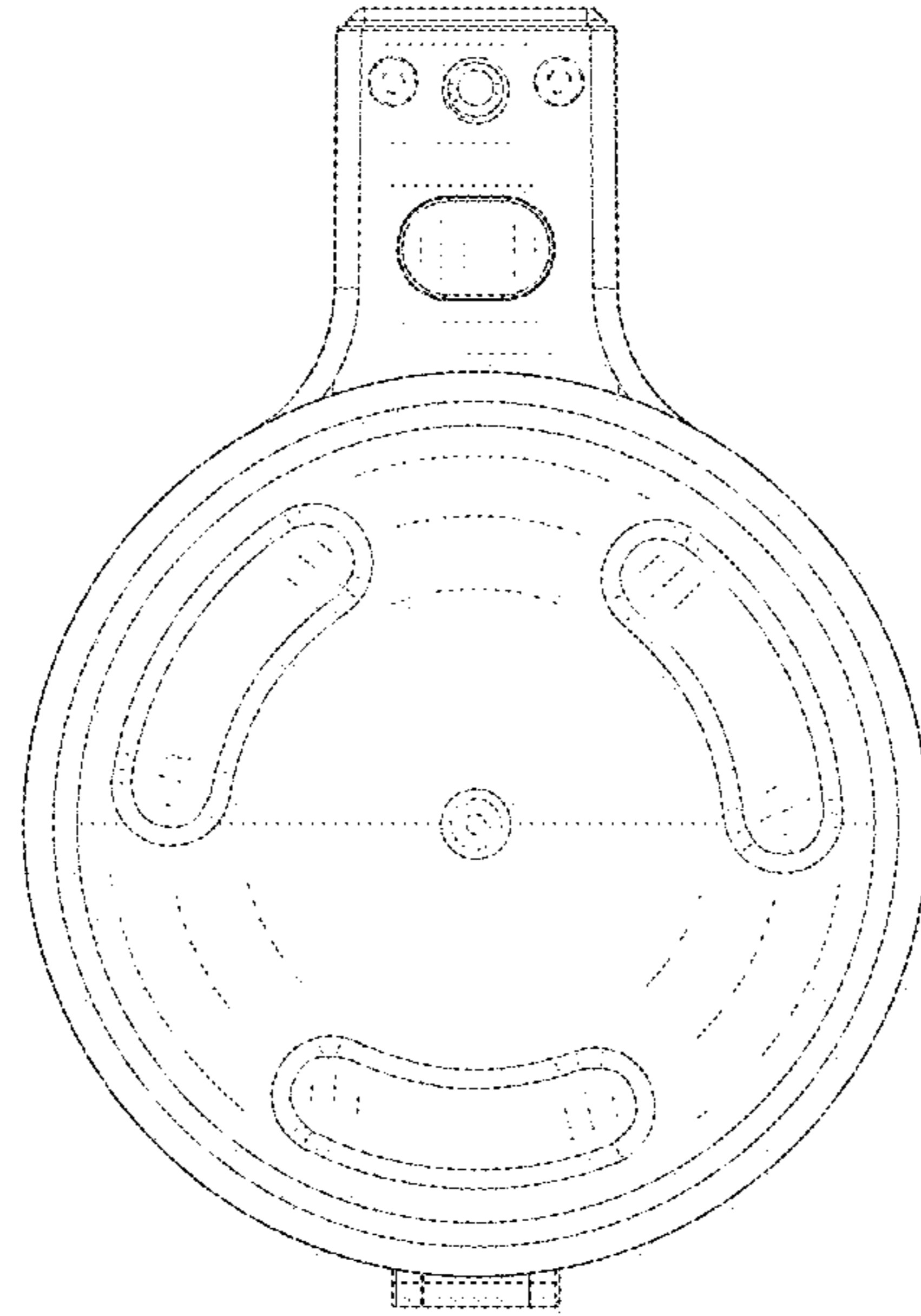


FIG. 8

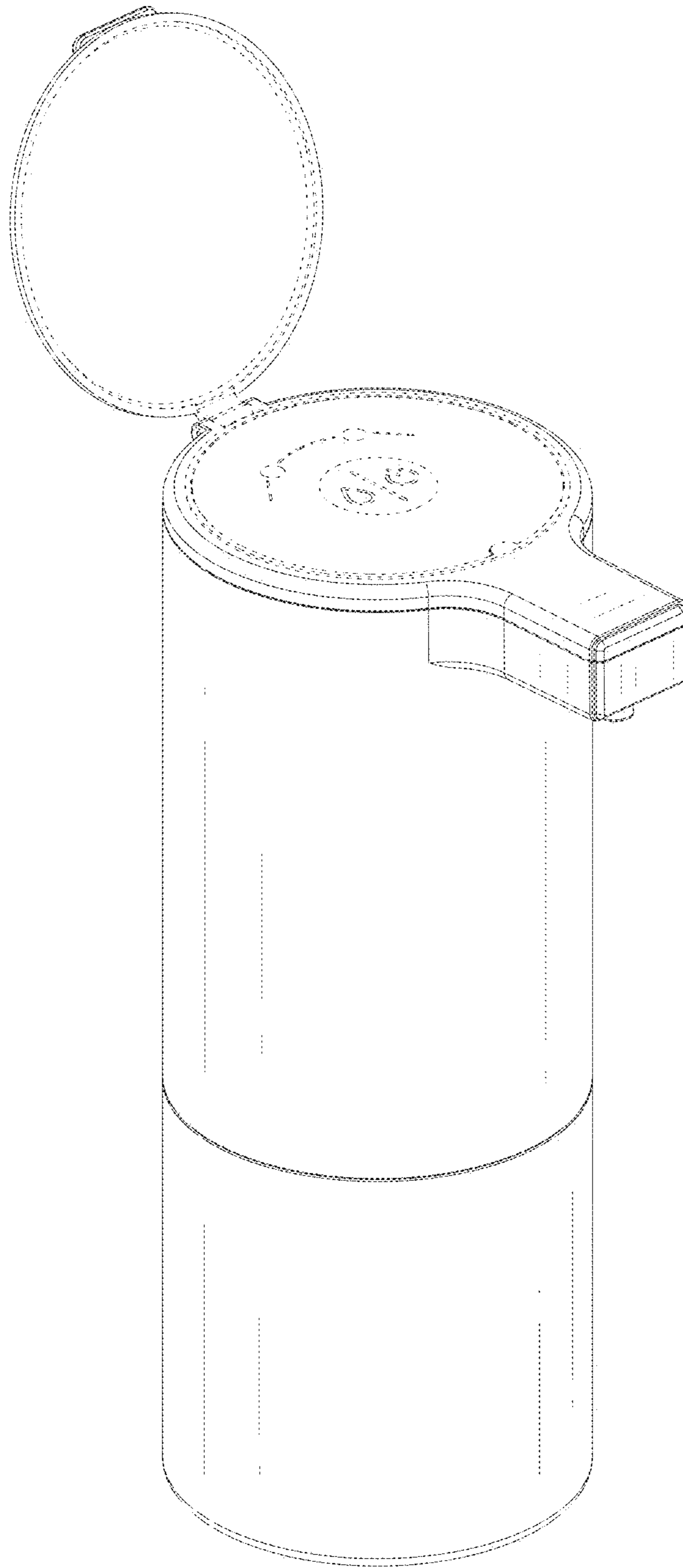


FIG. 9