



US00D977278S

(12) **United States Design Patent** (10) **Patent No.:** **US D977,278 S**
Ramm et al. (45) **Date of Patent:** **** Feb. 7, 2023**

(54) **SHAVING RAZOR STAND**

19/3813; B26B 19/3833; B26B 21/00;
B26B 21/4012; B65D 73/0014; B65D
(Continued)

(71) Applicant: **The Gillette Company LLC**, Boston,
MA (US)

(72) Inventors: **Christopher Ramm**, North Attleboro,
MA (US); **Philipp Goeder**, Frankfurt
(DE)

(73) Assignee: **The Gillette Company LLC**, Boston,
MA (US)

(**) Term: **15 Years**

(21) Appl. No.: **29/770,315**

(22) Filed: **Feb. 11, 2021**

(56) **References Cited**

U.S. PATENT DOCUMENTS

2,386,500 A 10/1945 Kenneth
2,693,788 A 11/1954 Spatz
3,283,185 A 11/1966 Somers et al.
(Continued)

FOREIGN PATENT DOCUMENTS

CN 201380471 Y 1/2010
CN 201813180 U 4/2011
(Continued)

OTHER PUBLICATIONS

All Office Actions, U.S. Appl. No. 15/866,564.
(Continued)

Primary Examiner — Mary Ann Calabrese
(74) *Attorney, Agent, or Firm* — John M. Lipchitz

(57) **CLAIM**

The ornamental design for a shaving razor stand, as shown
and described.

DESCRIPTION

FIG. 1 is a perspective view of a shaving razor stand
showing our new design;
FIG. 2 is a front view thereof;
FIG. 3 is a rear view thereof;
FIG. 4 is a right view thereof;
FIG. 5 is a left view thereof;
FIG. 6 is a top view thereof; and,
FIG. 7 is a bottom view thereof.
The broken lines shown illustrate portions of the shaving
razor stand and form no part of the claimed design.

1 Claim, 5 Drawing Sheets

Related U.S. Application Data

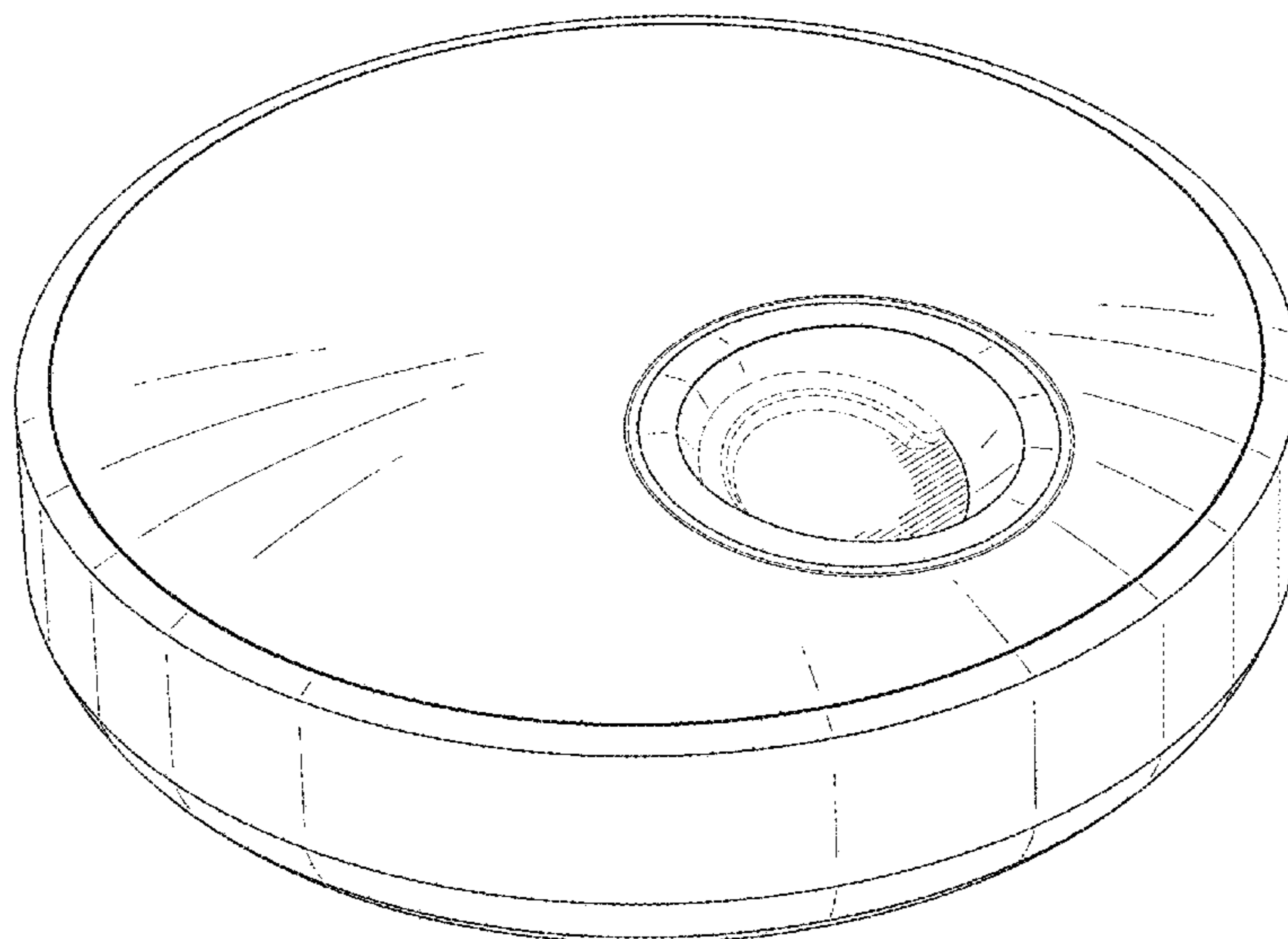
(62) Division of application No. 29/663,011, filed on Sep.
11, 2018, now abandoned, which is a division of
application No. 29/591,458, filed on Jan. 20, 2017,
now Pat. No. Des. 831,375.

(51) **LOC (14) Cl.** **28-03**

(52) **U.S. Cl.**
USPC **D6/526**

(58) **Field of Classification Search**

USPC D6/526, 527, 512, 528, 534, 540, 513,
D6/524-257, 682, 682.1; D3/201, 205;
D9/737, 748, 749, 448; 206/244, 352,
206/361, 362.1, 362.2, 362.3, 208, 209,
206/228, 252, 354-360, 493, 775;
30/42-46, 514; 211/13.1, 66, 70.6, 86.01,
211/87.01, 89.01; 248/127, 176.1, 200,
248/205.5, 309.1, 314; D16/202, 219,
D16/242; D13/108, 107; D10/70;
D24/186; D28/47
CPC . B26B 19/3806; B26B 19/3853; B26B 21/52;
B26B 21/10; B26B 21/4006; B26B
21/522; B26B 21/40; B26B 21/36; B26B
19/14; B26B 19/38; B26B 19/382; B26B



(58) **Field of Classification Search**
 CPC .. 77/26; B65D 85/1081; B65D 5/5016; B65D
 71/70; B65D 25/106; B65D 25/22
 See application file for complete search history.

(56) **References Cited**

U.S. PATENT DOCUMENTS

| | | | | |
|--------------|----|-----------|---------------------|-----------------------|
| 4,042,700 | A | 8/1977 | Banholzer | |
| 4,643,604 | A | 2/1987 | Enrico | |
| 4,865,285 | A | 9/1989 | Gaggianese | |
| 5,138,245 | A | 8/1992 | Mattinger | |
| D339,655 | S | 9/1993 | Sulik | |
| 5,680,028 | A | 10/1997 | Mceachern | |
| 5,894,670 | A | 4/1999 | Iso et al. | |
| 5,923,544 | A | 7/1999 | Urano | |
| 5,966,821 | A | 10/1999 | Armbruster et al. | |
| 5,966,822 | A | 10/1999 | Coffin et al. | |
| 6,112,414 | A | 9/2000 | Andis et al. | |
| D456,096 | S | 4/2002 | Rizzuto, Jr. et al. | |
| D521,927 | S | * 5/2006 | Franck | H01F 38/14 D13/108 |
| D529,533 | S | 10/2006 | Oh et al. | |
| D544,264 | S | 6/2007 | Gallagher | |
| D557,320 | S | 12/2007 | Fisher et al. | |
| D557,321 | S | 12/2007 | Fisher et al. | |
| D564,272 | S | 3/2008 | Quach | |
| D572,063 | S | 7/2008 | Provost | |
| D576,436 | S | 9/2008 | Provost et al. | |
| D577,998 | S | * 10/2008 | Decottignies | D9/448 |
| D586,955 | S | 2/2009 | Eigenstetter et al. | |
| 7,684,965 | B2 | 3/2010 | Sekine | |
| 7,733,058 | B2 | 6/2010 | Takaoka et al. | |
| D634,955 | S | 3/2011 | Cavazos | |
| D657,740 | S | 4/2012 | Prat-Pfister | |
| 8,237,401 | B2 | 8/2012 | Sip et al. | |
| D675,048 | S | 1/2013 | Coresh | |
| D677,090 | S | 3/2013 | Floyd | |
| D677,503 | S | 3/2013 | Floyd | |
| D695,544 | S | 12/2013 | Floyd | |
| D695,545 | S | 12/2013 | Floyd | |
| D699,473 | S | 2/2014 | Szczepanowski | |
| 8,727,141 | B2 | 5/2014 | Akalin et al. | |
| 9,011,031 | B2 | 4/2015 | Jang | |
| 9,132,058 | B2 | 9/2015 | Imboden et al. | |
| 9,143,041 | B2 | 9/2015 | Itabashi | |
| D745,916 | S | * 12/2015 | Oh | D16/219 |
| 9,419,468 | B1 | 8/2016 | Pierson | |
| D776,180 | S | * 1/2017 | Fiedler | D16/202 |
| 9,579,809 | B2 | 2/2017 | Hawes | |
| D783,838 | S | * 4/2017 | Zhao | D24/186 |
| D784,259 | S | * 4/2017 | Huang | D13/108 |
| D790,372 | S | 6/2017 | Daoura et al. | |
| D820,000 | S | * 6/2018 | Watson | D6/526 |
| D831,375 | S | * 10/2018 | Ramm | D6/526 |
| D831,996 | S | * 10/2018 | Grabes | D6/526 |
| 10,104,950 | B1 | 10/2018 | Provost et al. | |
| D839,627 | S | * 2/2019 | Watson | D6/526 |
| D862,923 | S | * 10/2019 | Watson | D6/526 |
| D879,499 | S | * 3/2020 | Boulanger | D6/526 |
| D918,137 | S | * 5/2021 | Painter | D13/108 |
| 2002/0116775 | A1 | 8/2002 | Wong | |
| 2002/0133308 | A1 | 9/2002 | Lundell | |
| 2004/0172831 | A1 | 9/2004 | Paas et al. | |
| 2005/0007065 | A1 | 1/2005 | Freas et al. | |
| 2006/0089178 | A1 | 4/2006 | Sakata et al. | |
| 2008/0052912 | A1 | 3/2008 | Barry et al. | |

| | | | | |
|--------------|-----|---------|----------------------|--------------|
| 2008/0237412 | A1 | 10/2008 | Chinuki et al. | |
| 2008/0306417 | A1 | 12/2008 | Imboden et al. | |
| 2009/0050598 | A1 | 2/2009 | Huang et al. | |
| 2009/0056141 | A1 | 3/2009 | Barry | |
| 2011/0247156 | A1 | 10/2011 | Schmid et al. | |
| 2012/0112553 | A1 | 5/2012 | Stoner, Jr | |
| 2012/0217930 | A1 | 8/2012 | Taniguchi et al. | |
| 2012/0306440 | A1 | 12/2012 | Yeh | |
| 2013/0200246 | A1 | 8/2013 | Vanbenschoten et al. | |
| 2013/0323941 | A1 | 12/2013 | Zeliff | |
| 2014/0375248 | A1 | 12/2014 | Takahashi et al. | |
| 2015/0032178 | A1 | 1/2015 | Simon et al. | |
| 2015/0270046 | A1 | 9/2015 | Golko et al. | |
| 2015/0280483 | A1 | 10/2015 | Golko et al. | |
| 2015/0320178 | A1 | 11/2015 | Fish | |
| 2015/0359704 | A1 | 12/2015 | Imboden | |
| 2016/0094076 | A1 | 3/2016 | Kasar et al. | |
| 2016/0094078 | A1 | 3/2016 | Graham | |
| 2016/0125988 | A1 | 5/2016 | Lee | |
| 2016/0296078 | A1 | 10/2016 | Beckerman | |
| 2016/0374395 | A1 | 12/2016 | Jordan et al. | |
| 2017/0094399 | A1 | 3/2017 | Chandramohan | |
| 2018/0021117 | A1 | 1/2018 | Kitagawa | |
| 2018/0041058 | A1 | 2/2018 | Goldberg | |
| 2018/0206611 | A1 | 7/2018 | Schaefer et al. | |
| 2018/0207819 | A1 | 7/2018 | Schaefer et al. | |
| 2018/0207820 | A1* | 7/2018 | Schaefer | B26B 19/3853 |
| 2018/0207821 | A1* | 7/2018 | Schaefer | H01F 38/14 |
| 2018/0212465 | A1 | 7/2018 | Schaefer et al. | |
| 2018/0212466 | A1 | 7/2018 | Schaefer et al. | |
| 2022/0063118 | A1 | 3/2022 | Schaefer et al. | |

FOREIGN PATENT DOCUMENTS

| | | | |
|----|------------|----|---------|
| CN | 202167887 | U | 3/2012 |
| CN | 105305525 | A | 2/2016 |
| CN | 205081509 | U | 3/2016 |
| EP | 0410849 | A1 | 1/1991 |
| EP | 2770603 | B1 | 11/2018 |
| JP | S62005983 | U | 1/1987 |
| JP | H0511830 | U | 2/1993 |
| JP | 3055446 | B2 | 6/2000 |
| JP | 3079978 | B2 | 8/2000 |
| JP | 2001053853 | A | 2/2001 |
| JP | 2003070170 | A | 3/2003 |
| JP | 2004260917 | A | 9/2004 |
| JP | 2009159660 | A | 7/2009 |
| JP | 5303929 | B2 | 7/2013 |
| JP | 2016093084 | A | 5/2016 |
| JP | 1589419 | S | 10/2017 |
| WO | 9427479 | A1 | 12/1994 |
| WO | 2010134050 | A1 | 11/2010 |
| WO | 2010134051 | A1 | 11/2010 |
| WO | 2016113502 | A1 | 7/2016 |

OTHER PUBLICATIONS

All Office Actions, U.S. Appl. No. 15/866,611.
 All Office Actions, U.S. Appl. No. 15/866,623.
 All Office Actions, U.S. Appl. No. 15/866,646.
 All Office Actions, U.S. Appl. No. 15/866,666.
 All Office Actions, U.S. Appl. No. 15/866,677.
 All Office Actions, U.S. Appl. No. 29/591,458.
 All Office Actions, U.S. Appl. No. 29/663,011.
 All Office Actions; U.S. Appl. No. 17/523,256, filed Nov. 10, 2021.
 U.S. Appl. No. 29/663,011, filed Sep. 11, 2018, Christopher Ramm.

* cited by examiner

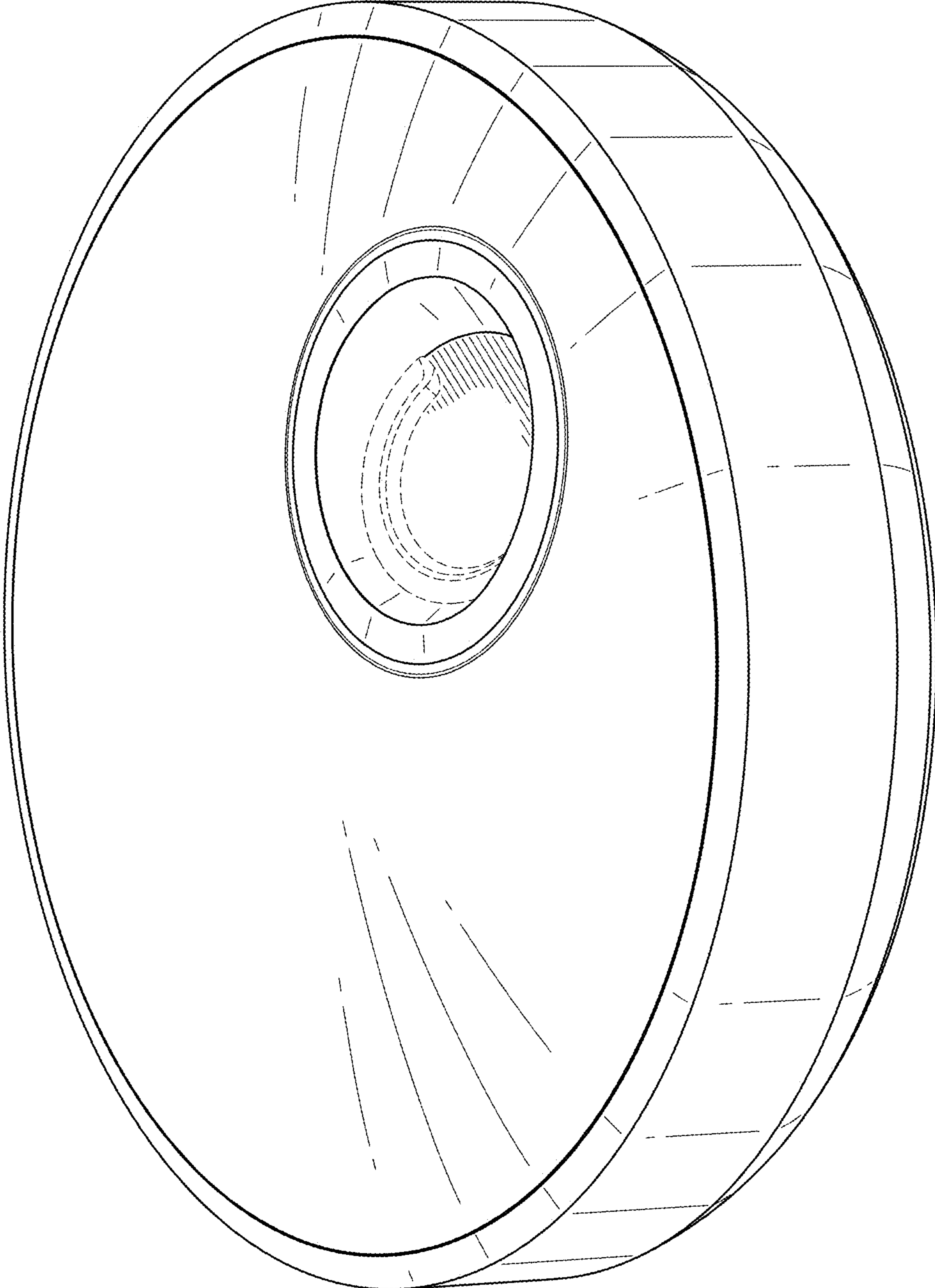


FIG. 1

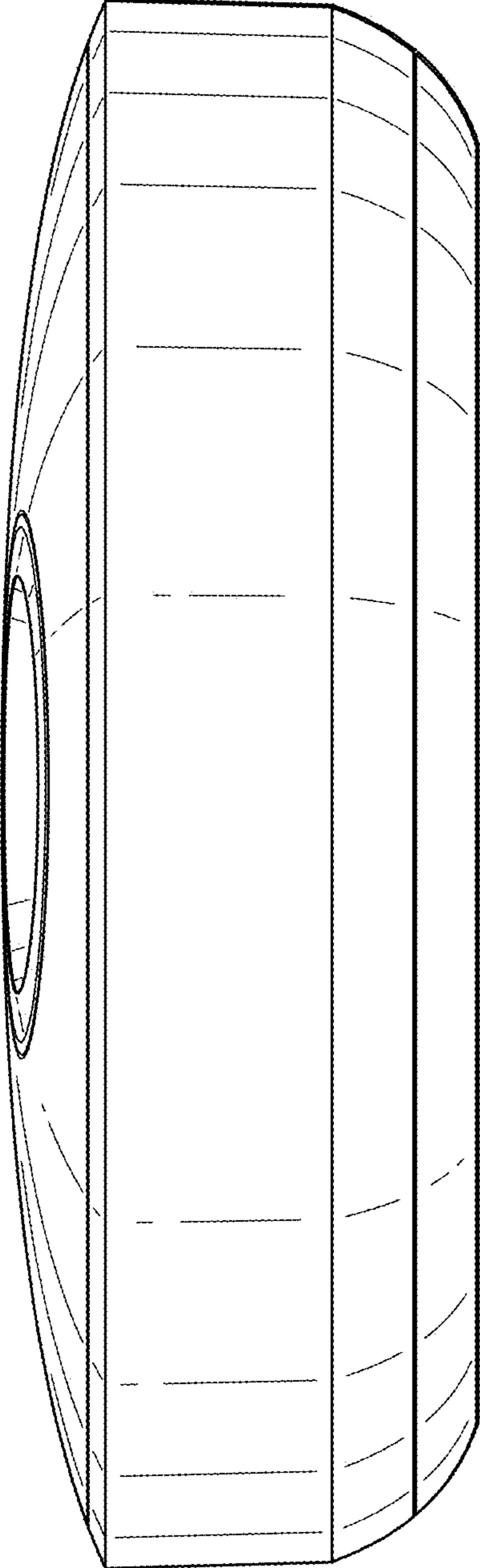


FIG. 2

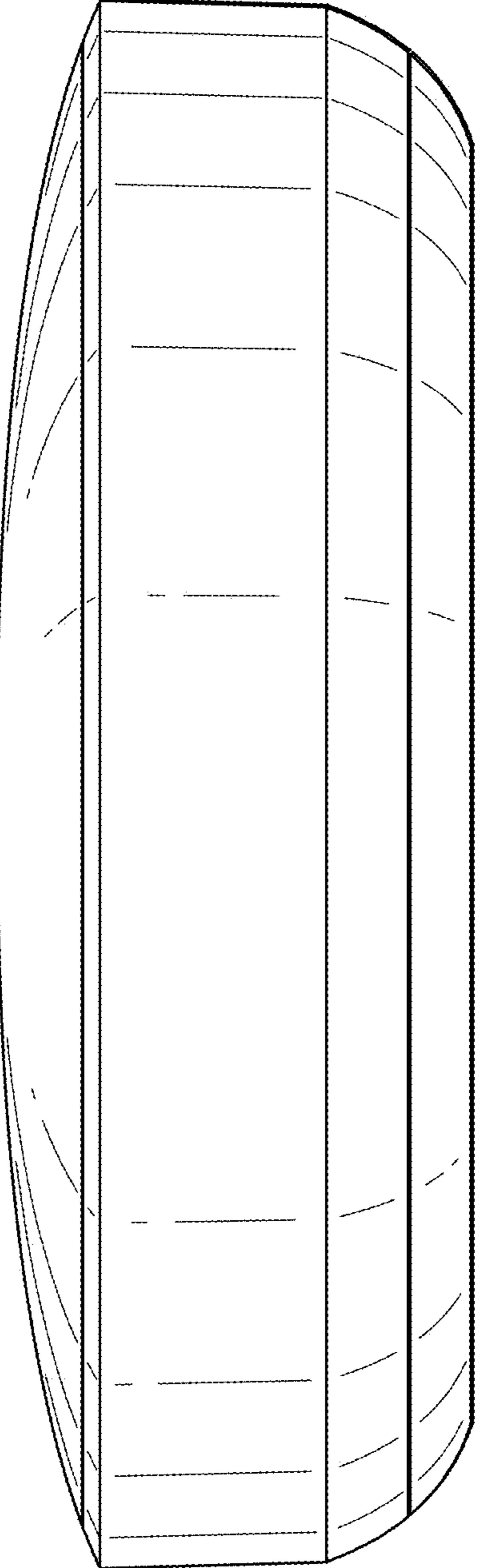


FIG. 3

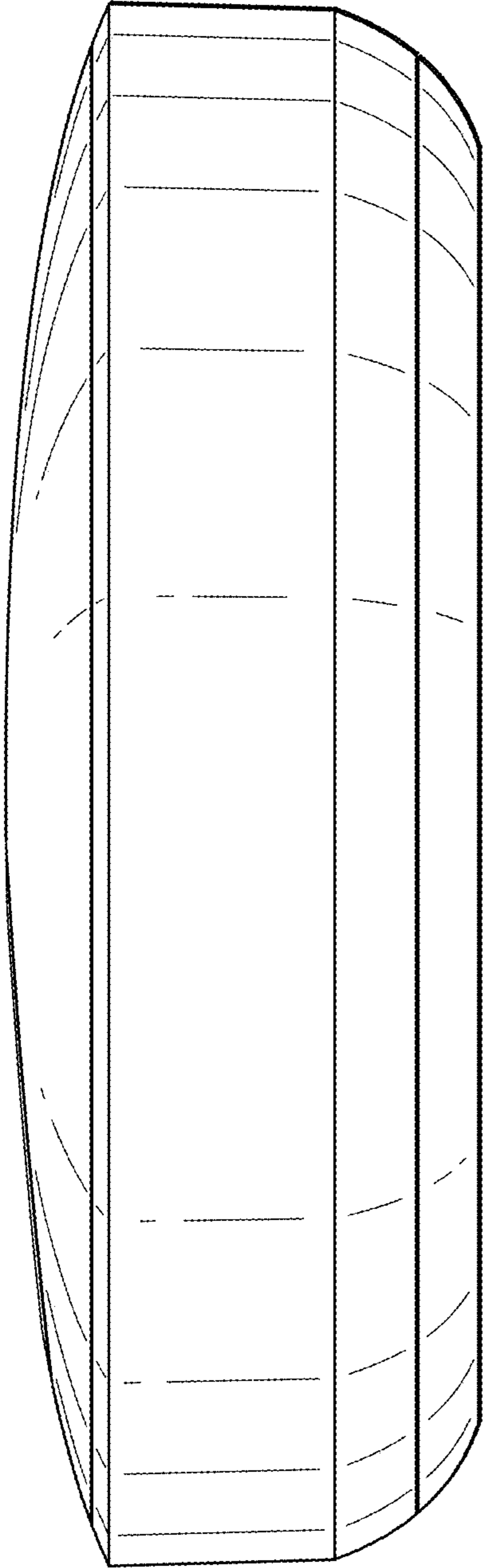


FIG. 4

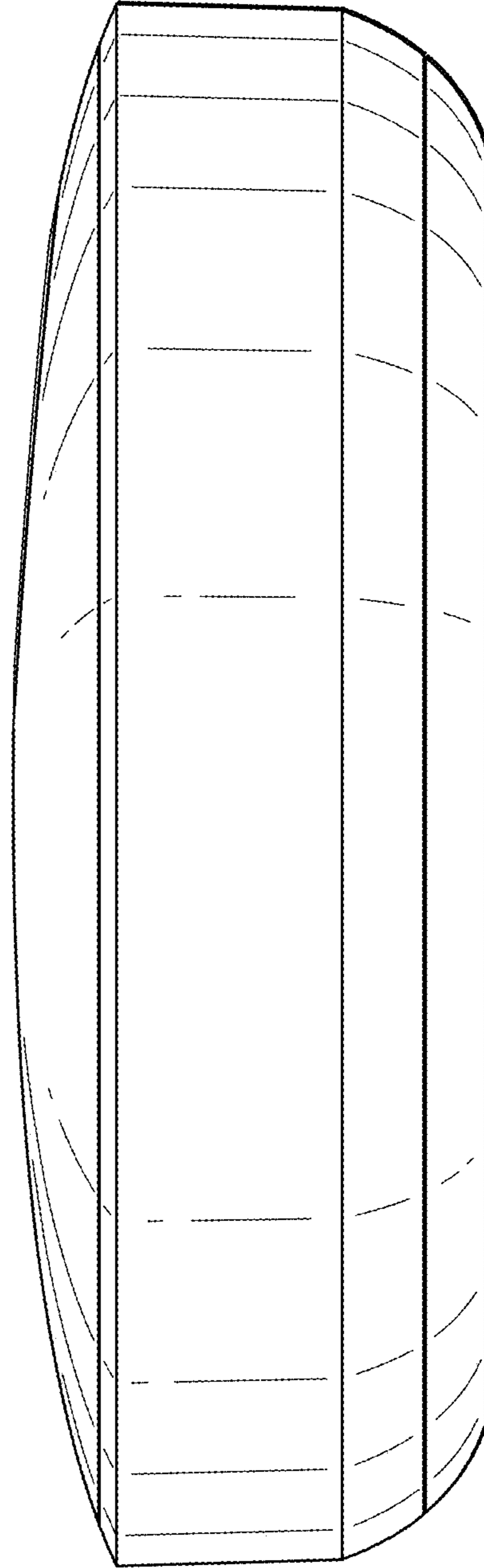


FIG. 5

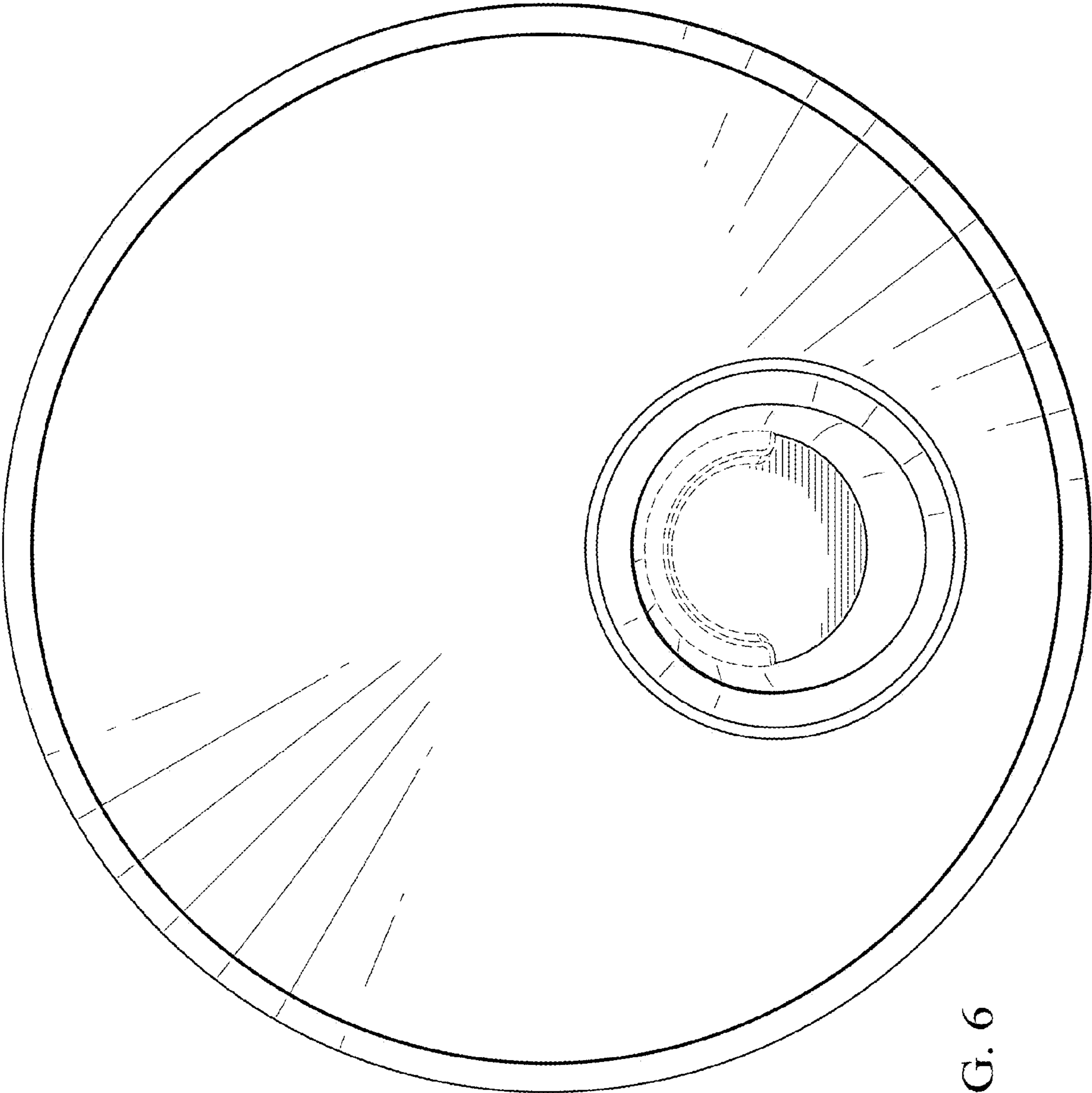


FIG. 6

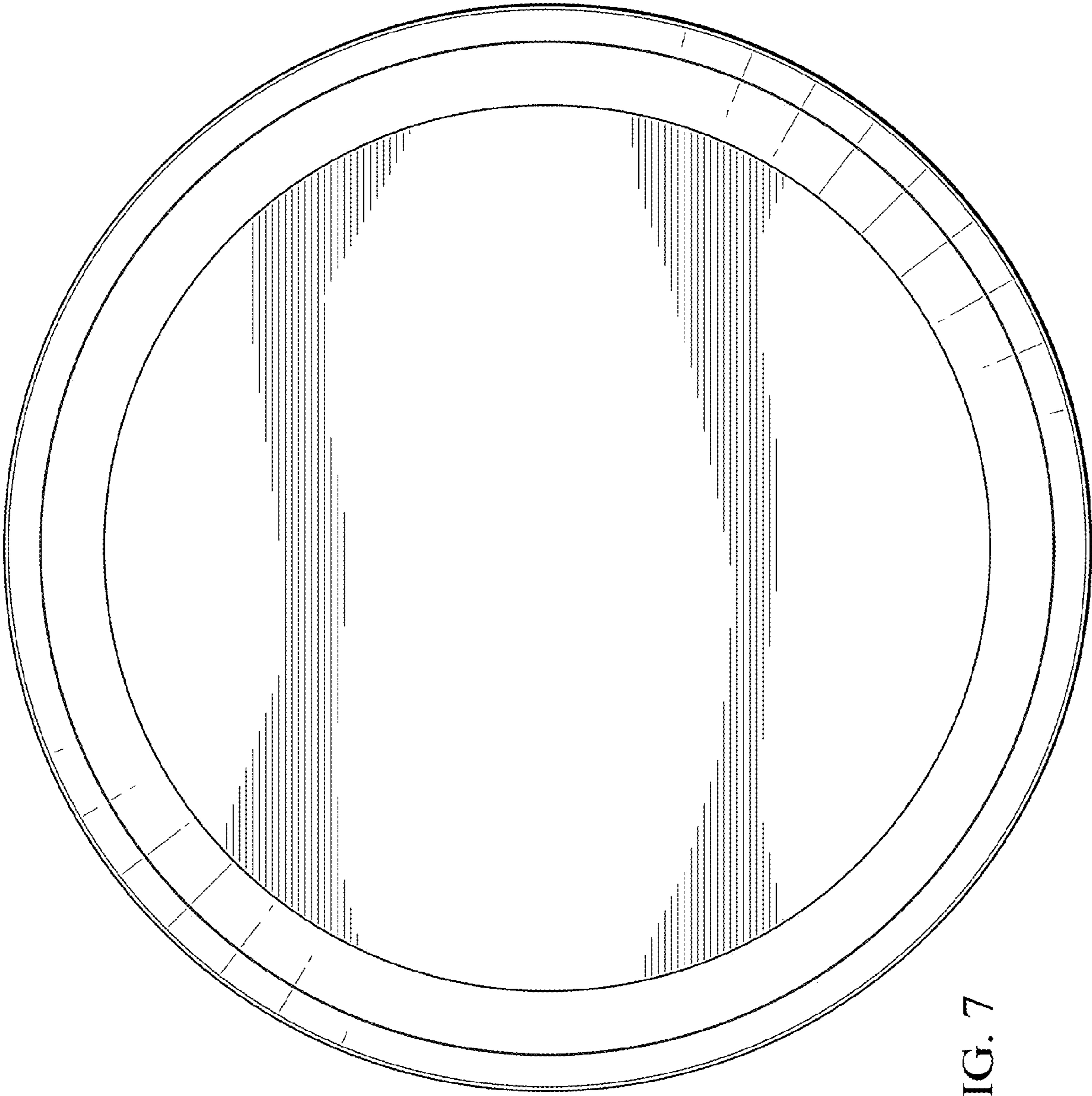


FIG. 7