



US00D977277S

(12) **United States Design Patent** (10) **Patent No.:** **US D977,277 S**
Lin (45) **Date of Patent:** **** Feb. 7, 2023**

(54) **TOILET PAPER HOLDER**

(71) Applicant: **Putian Wansidandun Trading Co., Ltd.**, Putian (CN)

(72) Inventor: **Hua Lin**, Putian (CN)

(**) Term: **15 Years**

(21) Appl. No.: **29/846,600**

(22) Filed: **Jul. 18, 2022**

(51) **LOC (14) Cl.** **23-08**

(52) **U.S. Cl.**
USPC **D6/523; D6/520**

(58) **Field of Classification Search**
USPC D6/515-523, 527, 549
CPC A47K 10/025; A47K 10/16; A47K 10/18;
A47K 10/22; A47K 10/24; A47K 10/38;
A47K 10/42; A47K 10/3836; A47K
2010/3206; A47K 2010/324; A47K
2010/326; A47K 2010/3266

See application file for complete search history.

(56) **References Cited**

U.S. PATENT DOCUMENTS

D476,835 S *	7/2003	Lai	D6/523
D476,838 S *	7/2003	Hoernig	D6/549
D477,733 S *	7/2003	Hoernig	D6/549
D545,099 S *	6/2007	Fernandez, Jr.	D6/555
7,527,218 B2 *	5/2009	Brown	A47K 10/3836 242/597.8
D691,389 S *	10/2013	Snider	D6/519
D867,011 S *	11/2019	Snell	D6/520
D898,407 S	10/2020	Ghiorghie		
D916,488 S *	4/2021	Peng	D6/520
D918,616 S *	5/2021	Zheng	D6/523
2007/0181738 A1 *	8/2007	Demers	A47K 10/38 242/597.8
2016/0095478 A1 *	4/2016	Toma	A47K 10/42 242/594

OTHER PUBLICATIONS

Day Moon Designs Free Standing Toilet Paper Holder, found in Amazon.com, date first available May 24, 2022, site visited on Sep. 1, 2022, URL:https://www.amazon.com/Day-Moon-Designs-Standing-Flushable/dp/B0B276G2JJ/ (Year: 2022).*

Toilet Paper Holder Stand with Shelf, found in Amazon.com, date first available Apr. 26, 2022, site visited Sep. 1, 2022, URL:https://www.amazon.com/dp/B09YYGNY4F/ (Year: 2022).*

* cited by examiner

Primary Examiner — Mary Ann Calabrese
Assistant Examiner — Mark David Wolfley

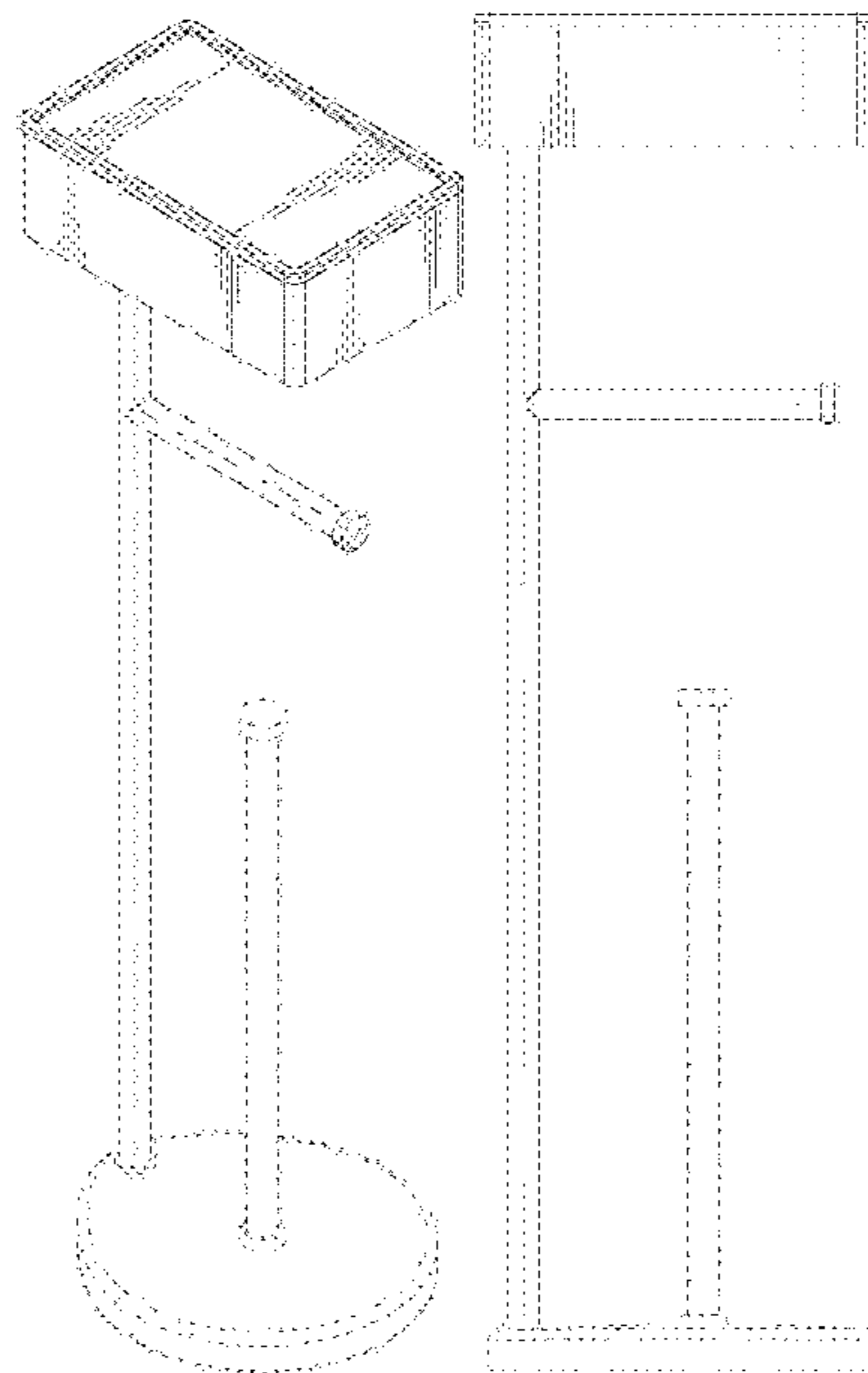
(57) **CLAIM**

The ornamental design for a toilet paper holder, as shown and described.

DESCRIPTION

FIG. 1 is a front, top perspective view of a toilet paper holder, showing my new design;
FIG. 2 is a rear, bottom perspective view thereof;
FIG. 3 is a front elevation view thereof;
FIG. 4 is a rear elevation view thereof;
FIG. 5 is a left side elevation view thereof;
FIG. 6 is a right side elevation view thereof;
FIG. 7 is a top plan view thereof;
FIG. 8 is a bottom plan view thereof; and,
FIG. 9 is a second front, top perspective view thereof, shown in an alternative position.
The broken lines in the figures illustrate portions of the toilet paper holder that form no part of the claimed design.

1 Claim, 9 Drawing Sheets



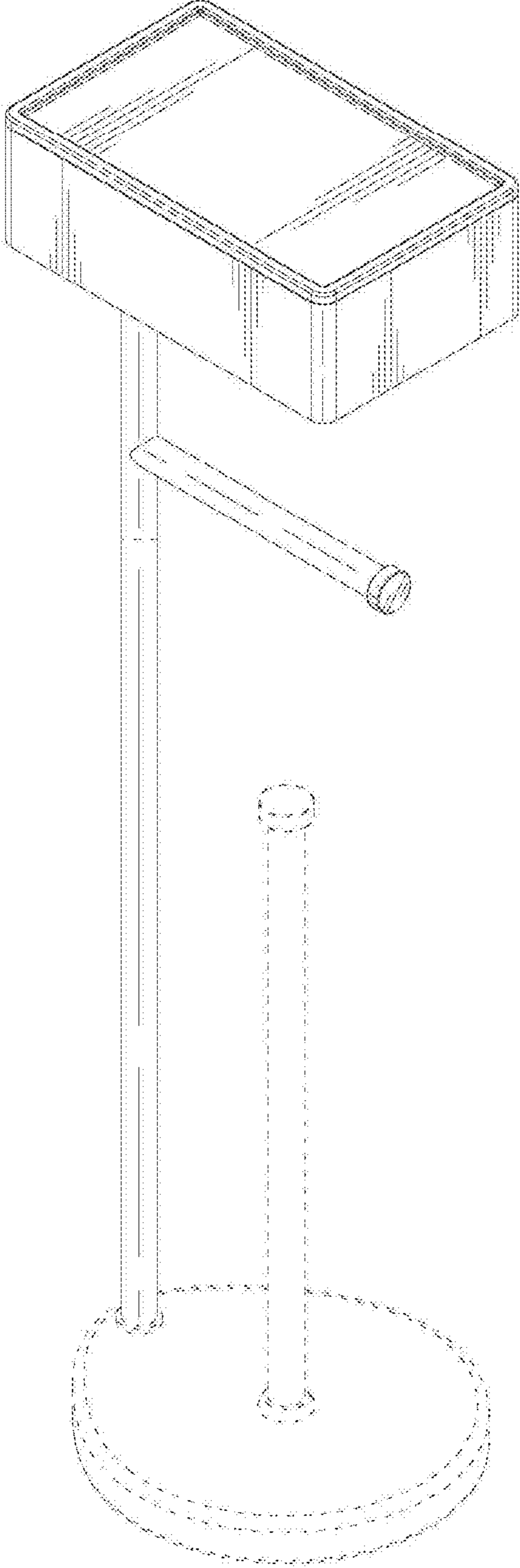


FIG. 1

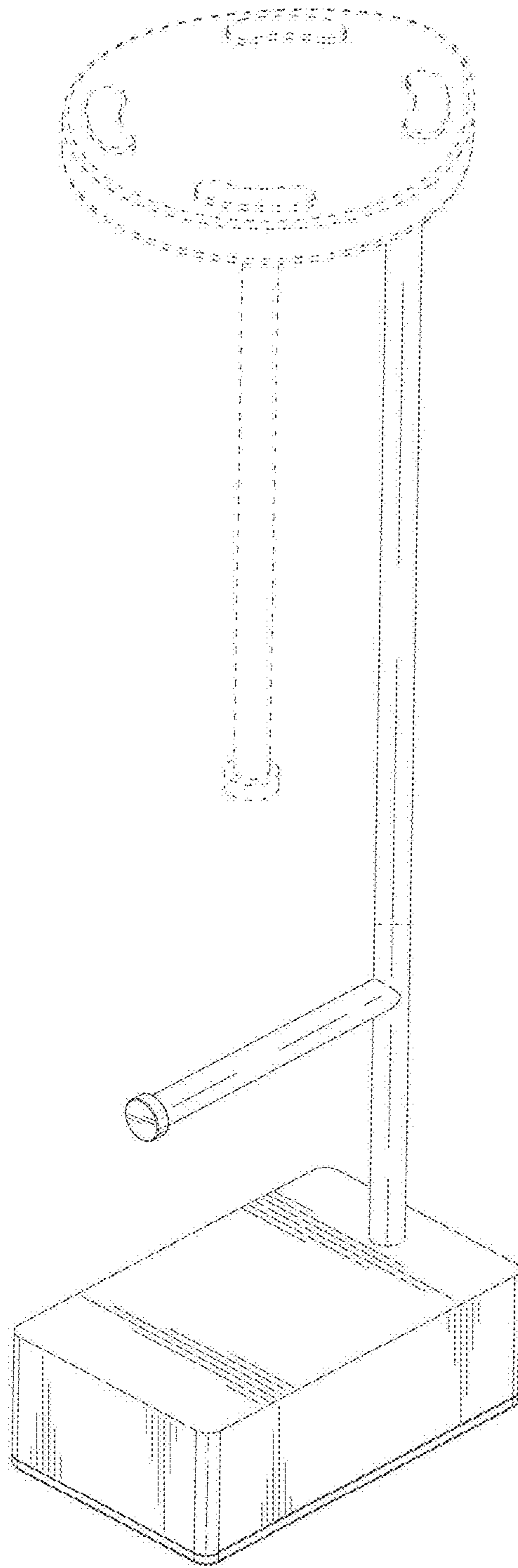


FIG. 2

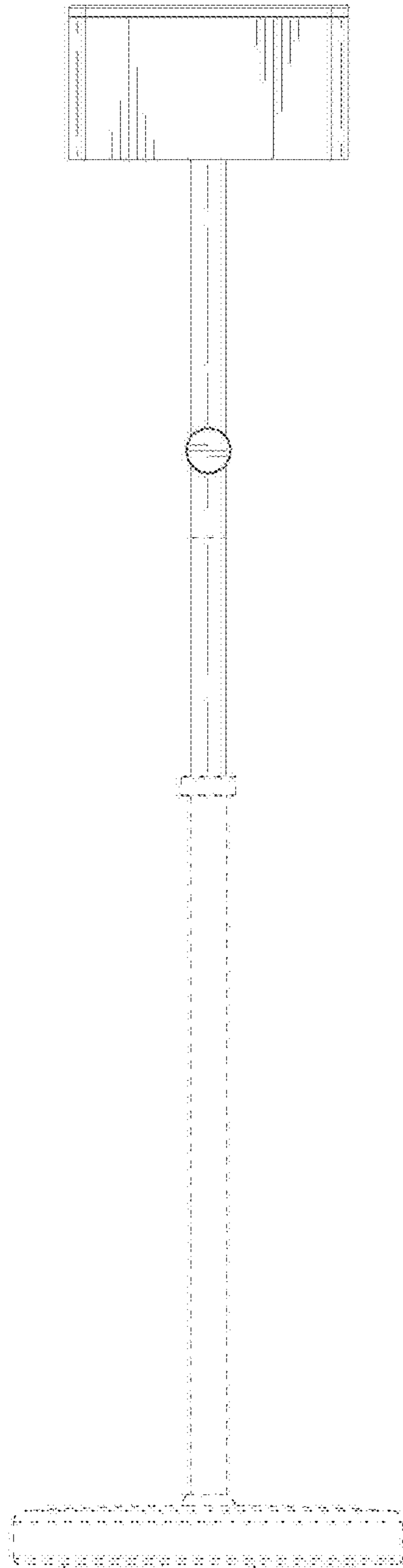


FIG. 3

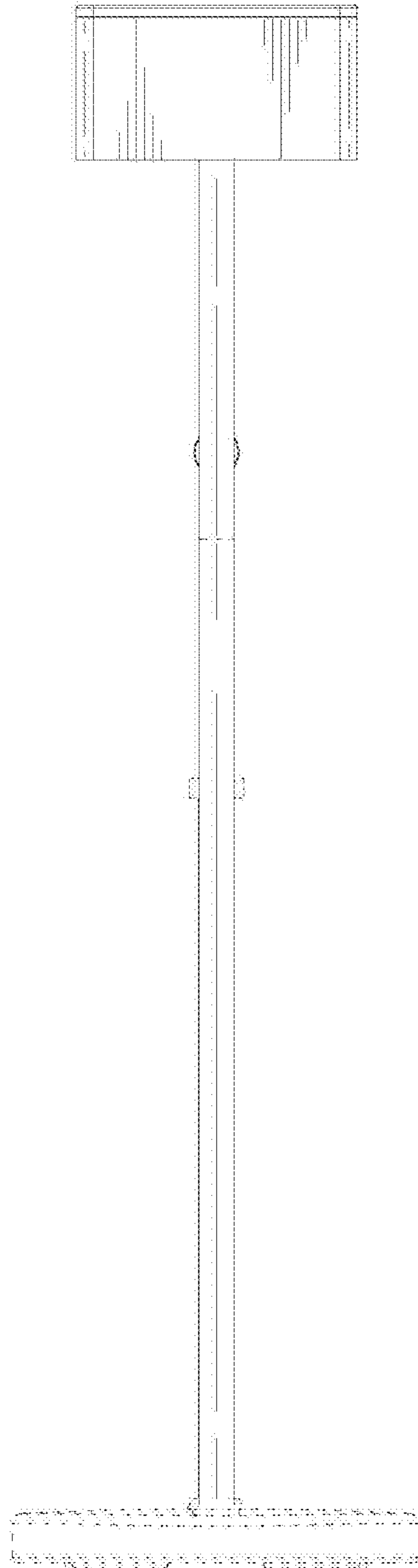


FIG. 4

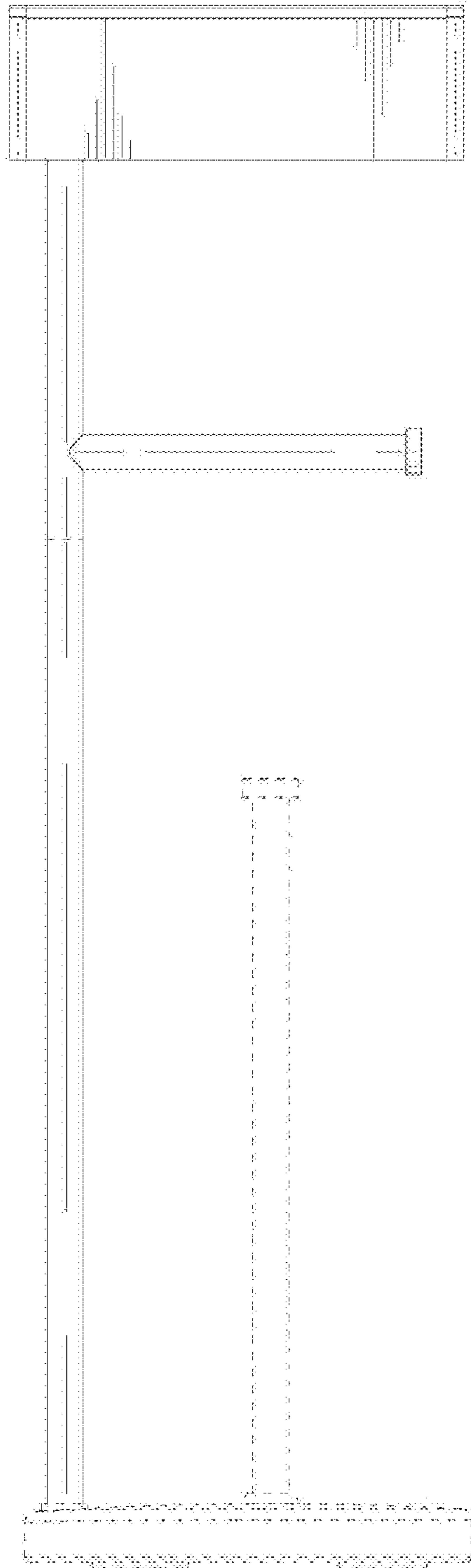


FIG. 5

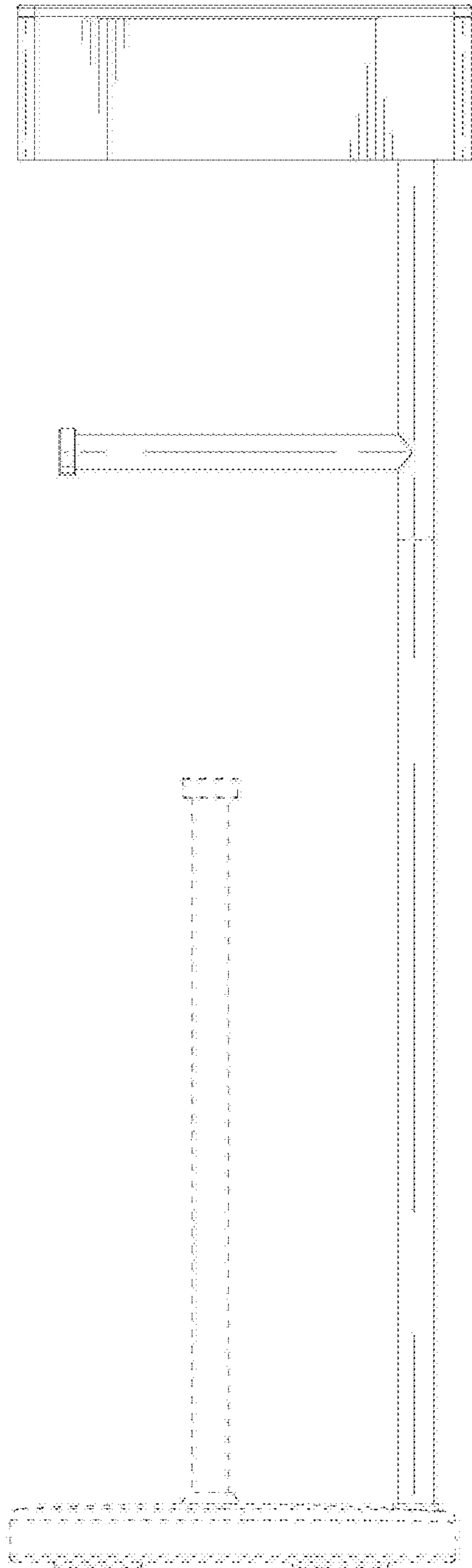


FIG.6

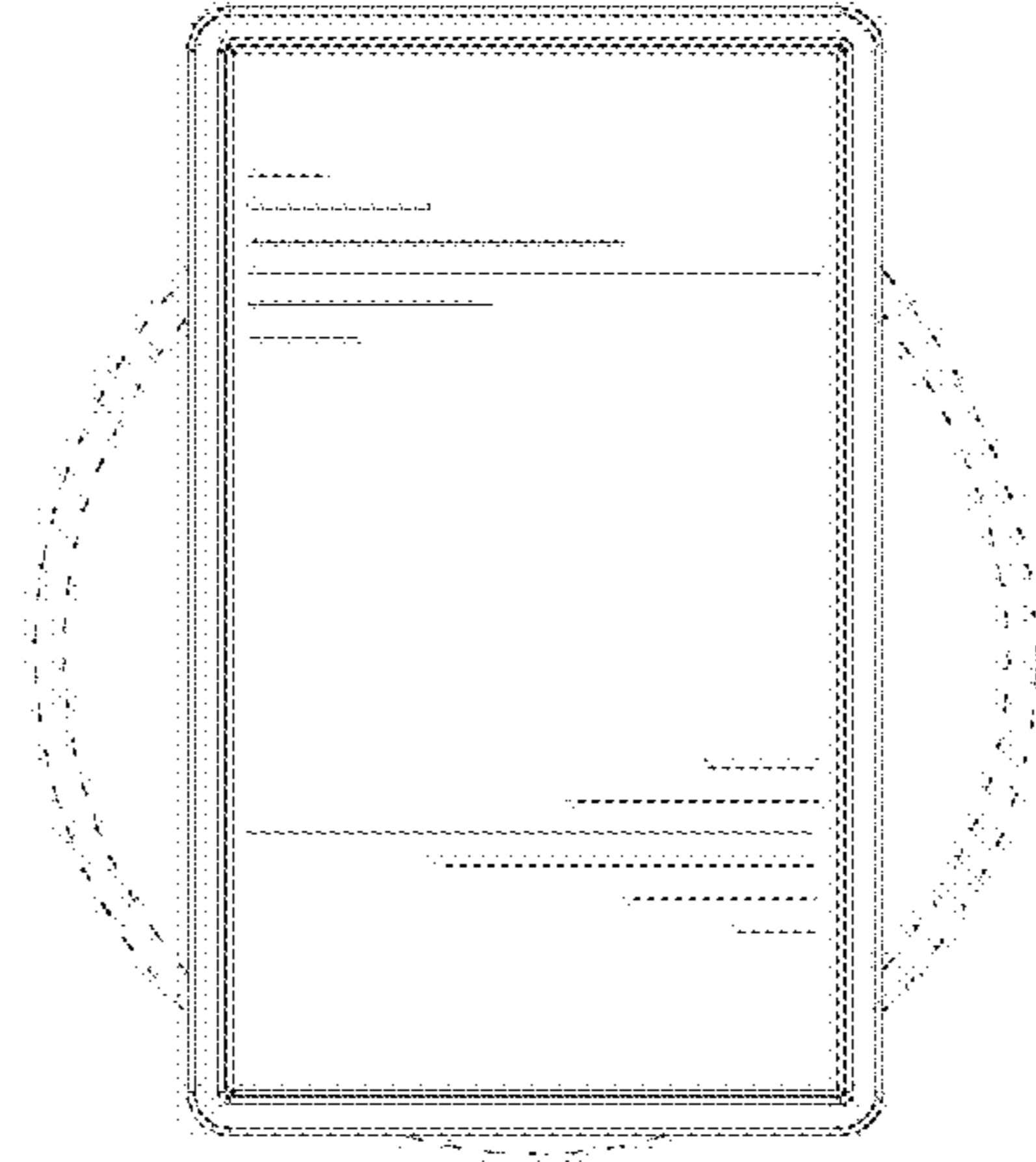


FIG. 7

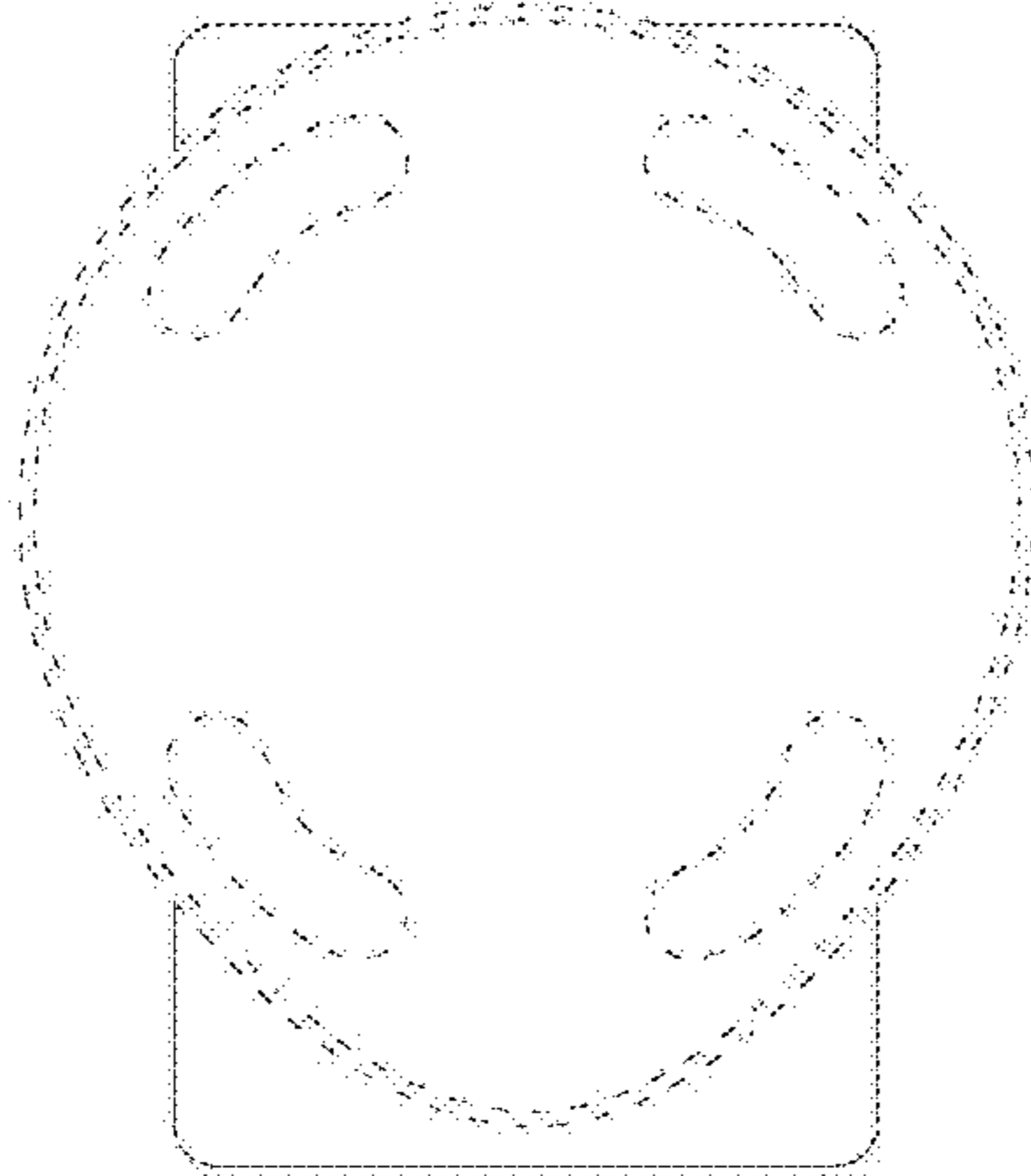


FIG. 8

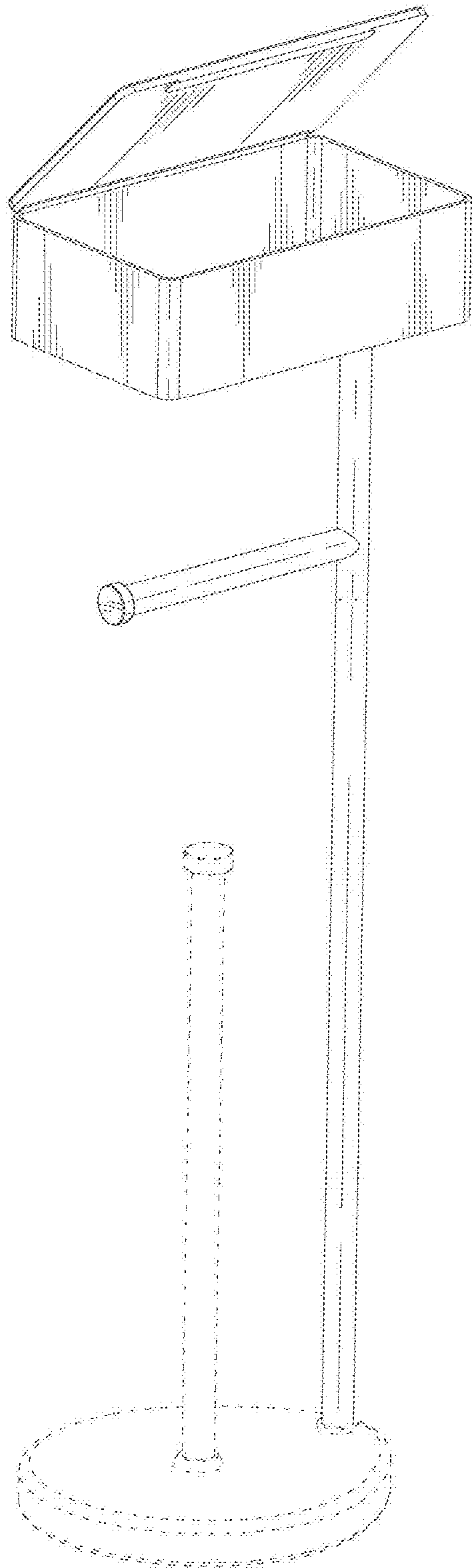


FIG. 9