



US00D977276S

(12) **United States Design Patent** (10) **Patent No.:** **US D977,276 S**
Yan (45) **Date of Patent:** **** Feb. 7, 2023**

(54) **HONEYCOMB PAPER DISPENSER**
(71) Applicant: **Guangzhou TYT Eco New Material Technology Co., Ltd., Guangzhou (CN)**
(72) Inventor: **Zhiqiang Yan, Guangzhou (CN)**
(**) Term: **15 Years**
(21) Appl. No.: **29/838,139**
(22) Filed: **May 11, 2022**
(51) **LOC (14) Cl.** **06-04**
(52) **U.S. Cl.**
USPC **D6/518**
(58) **Field of Classification Search**
USPC D6/515-523; D19/67, 134; D9/419, 420
CPC ... B65B 67/085; B65B 11/045; B65B 11/025;
B65H 16/005; B65H 2402/41; B65H
75/185; B65H 2701/1944; B65H
2301/418526; B65H 75/241; B65H
2403/731; B65H 2511/12; B65H 2220/04
See application file for complete search history.

D341,968 S * 12/1993 Kumerfield D6/520
D356,458 S * 3/1995 Wobschall D6/518
D405,992 S * 2/1999 Lee D6/522
D472,413 S * 4/2003 Haas D6/522
D474,359 S * 5/2003 Bennett D6/518
D500,087 S * 12/2004 Siegel D6/520
D512,253 S * 12/2005 Hoernig D6/523
D569,144 S * 5/2008 Mapp D6/518
7,604,195 B1 * 10/2009 Lai B65B 59/003
242/396.5
D628,417 S * 12/2010 Benedetti D6/523
D658,414 S * 5/2012 Renzelman D6/523
D683,164 S * 5/2013 Fontana D6/518

(Continued)

Primary Examiner — Nathan M Johnston
(74) *Attorney, Agent, or Firm* — Rumit Ranjit Kanakia

(57) **CLAIM**

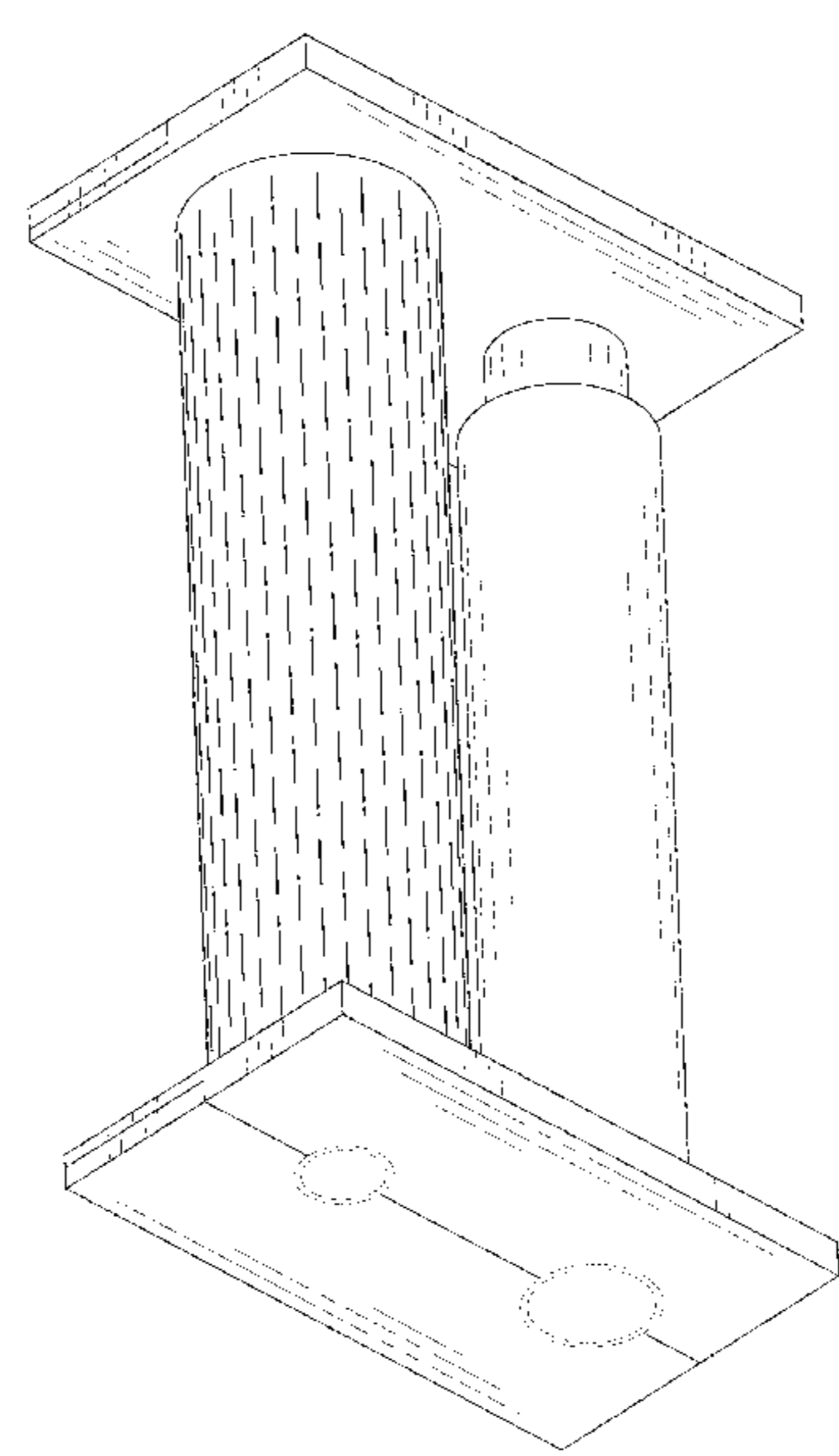
The ornamental design for a honeycomb paper dispenser, as shown and described.

DESCRIPTION

FIG. 1 is a first perspective view of a honeycomb paper dispenser showing my new design;
FIG. 2 is a second perspective view thereof;
FIG. 3 is a front view thereof;
FIG. 4 is a back view thereof;
FIG. 5 is a left side view thereof;
FIG. 6 is a right side view thereof;
FIG. 7 is a top view thereof;
FIG. 8 is a bottom view thereof;
FIG. 9 is a perspective view of the using state of the honeycomb paper dispenser thereof; and,
FIG. 10 is a perspective view of the using state of the honeycomb paper dispenser thereof.
The broken lines shown in the drawings depict portions of the honeycomb paper dispenser that form no part of the claimed design.

(56) **References Cited**
U.S. PATENT DOCUMENTS
2,876,960 A * 3/1959 Glaner A47K 10/22
242/612
3,096,101 A * 7/1963 Raddeman B65H 18/04
D19/89
D267,760 S * 2/1983 Vrignaud D6/523
D300,492 S * 4/1989 Pearce D6/518
4,861,695 A * 8/1989 Higashiyama G03C 3/00
430/501
5,038,934 A * 8/1991 Higashiyama G03C 3/00
206/524.4
5,125,586 A * 6/1992 Whitethorn A47K 10/3836
242/597.6
5,170,958 A * 12/1992 Brown A47K 10/38
242/598.6
5,222,644 A * 6/1993 Moreno B65H 35/002
225/89

1 Claim, 10 Drawing Sheets



(56)

References Cited

U.S. PATENT DOCUMENTS

D683,971 S	6/2013	Enderby	
D724,344 S *	3/2015	Renzelman	D6/518
D806,433 S *	1/2018	Roberts	D6/523
D815,853 S *	4/2018	Brouillette	D6/540
D871,778 S	1/2020	Peters	
D871,794 S *	1/2020	Roberts	D6/523
D903,336 S	12/2020	Peters	
D941,378 S *	1/2022	Yu	D8/51

* cited by examiner

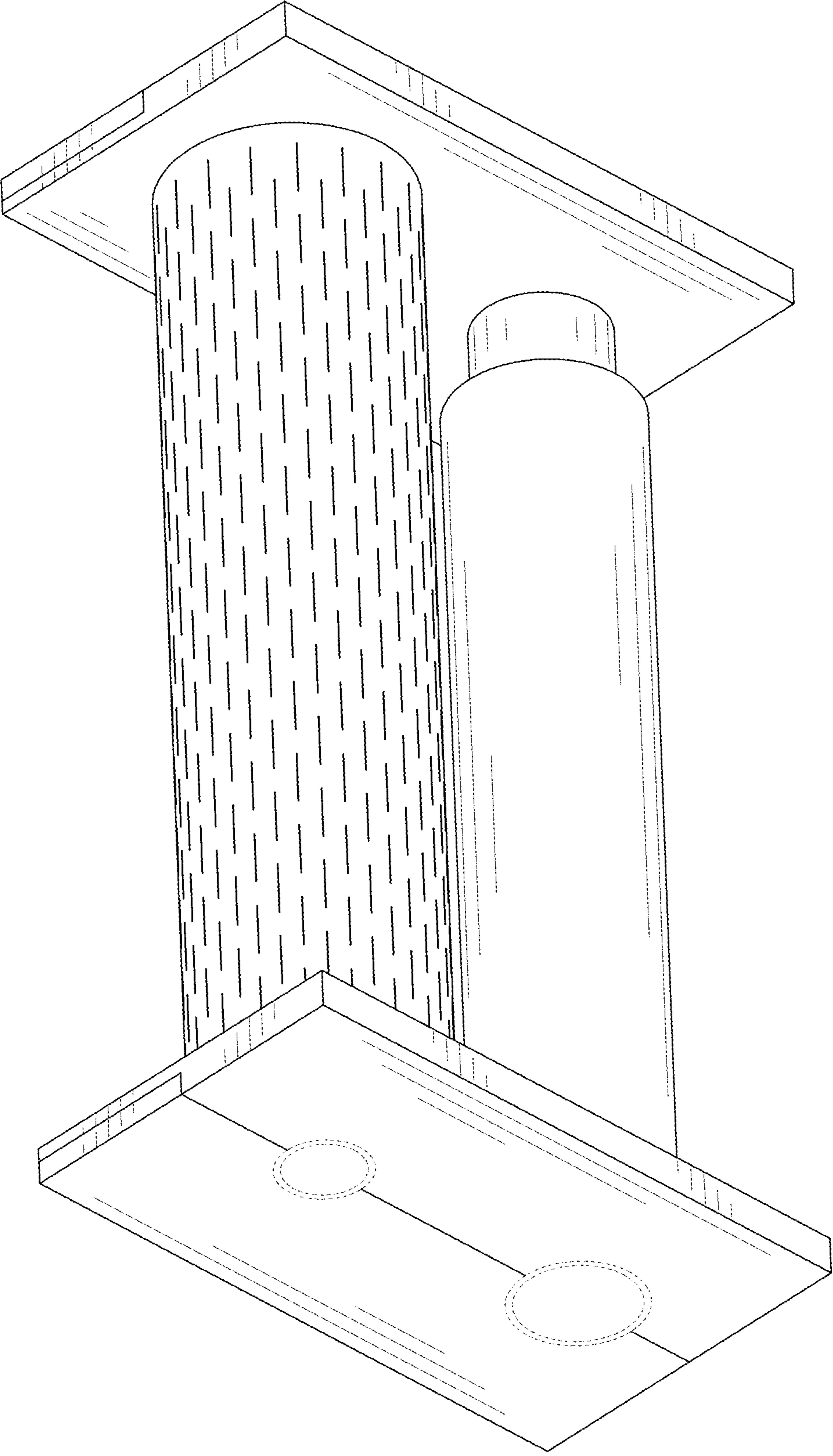


FIG. 1

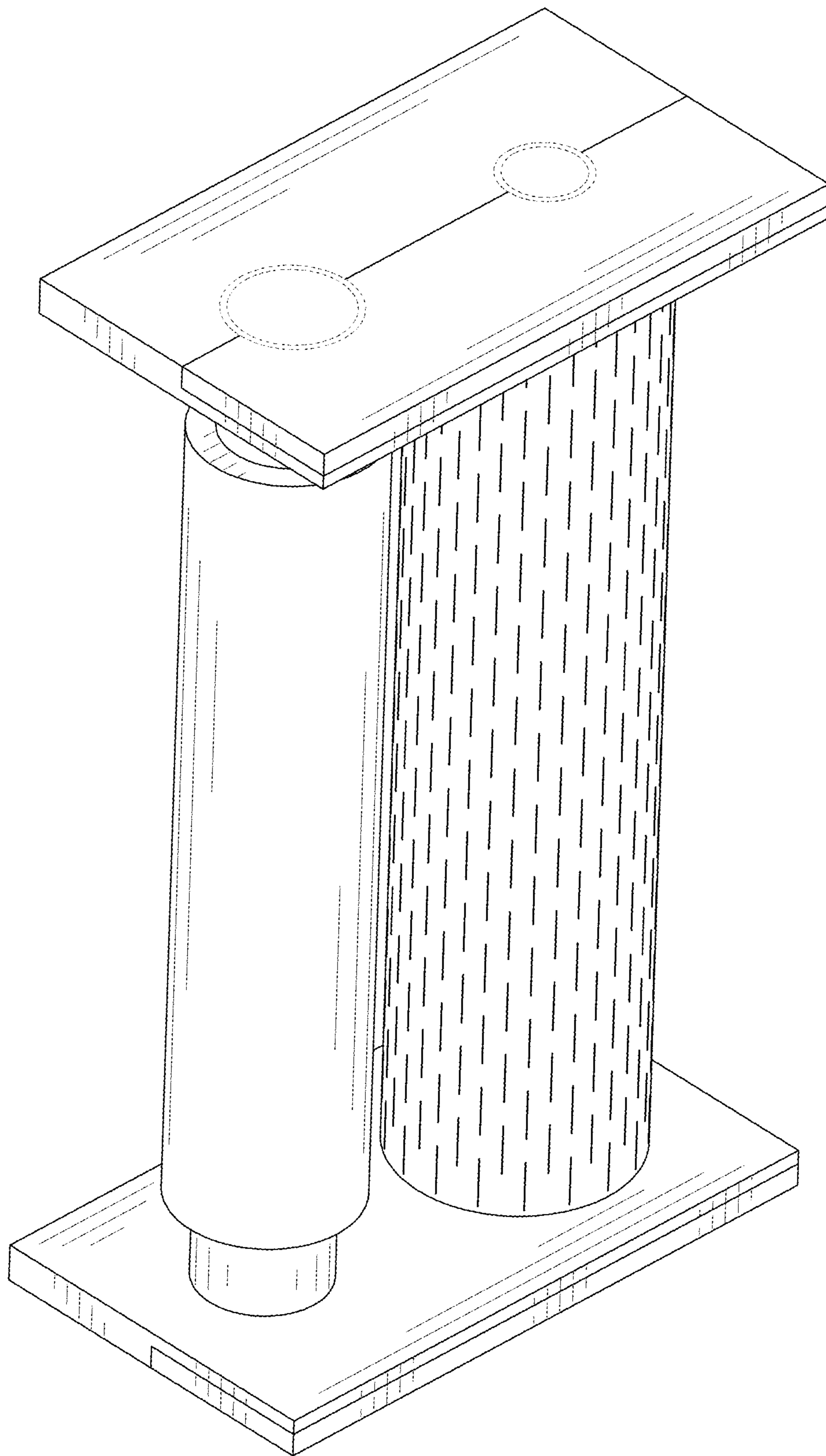


FIG. 2

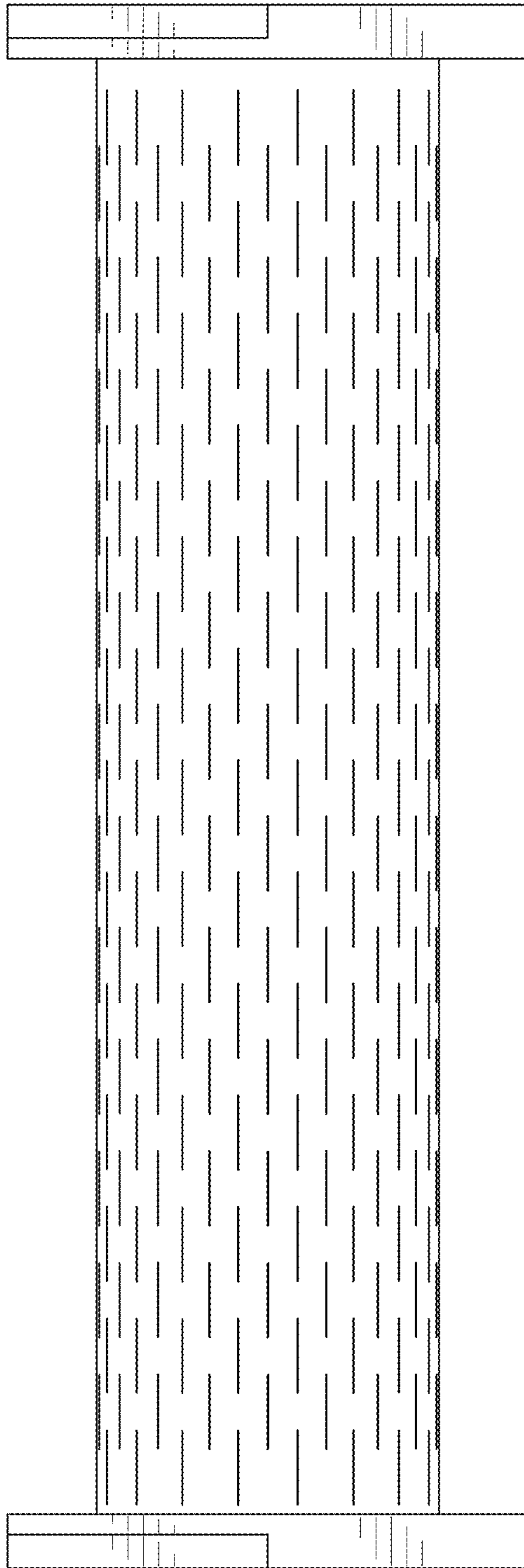


FIG. 3

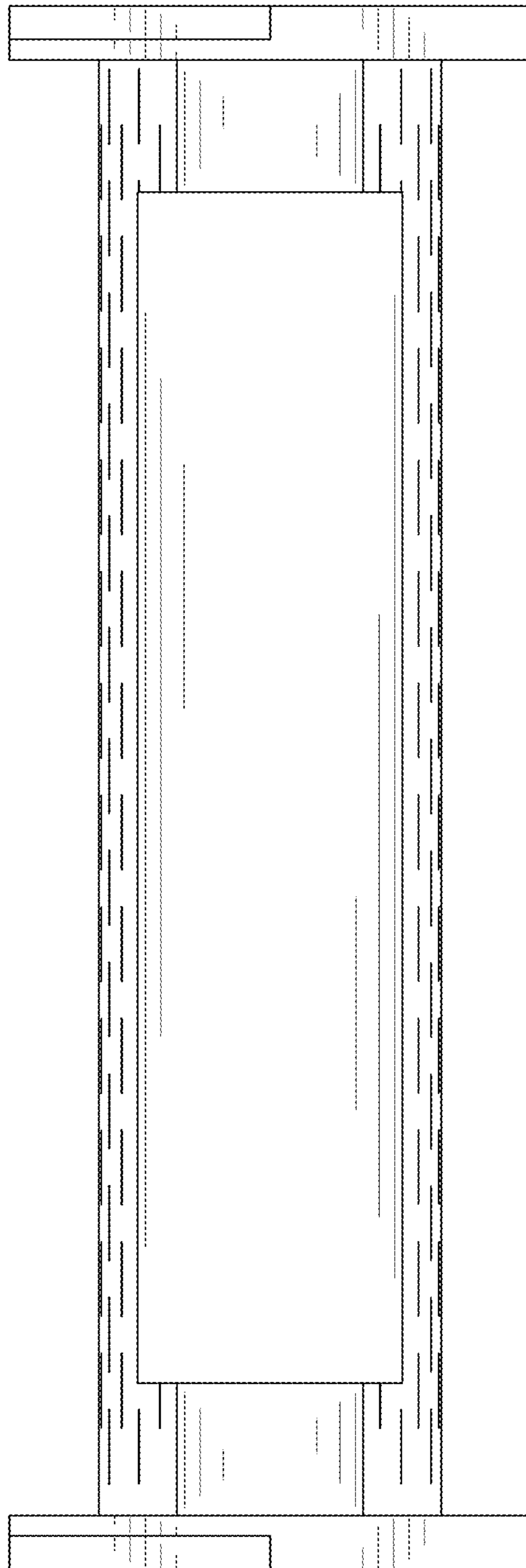


FIG. 4

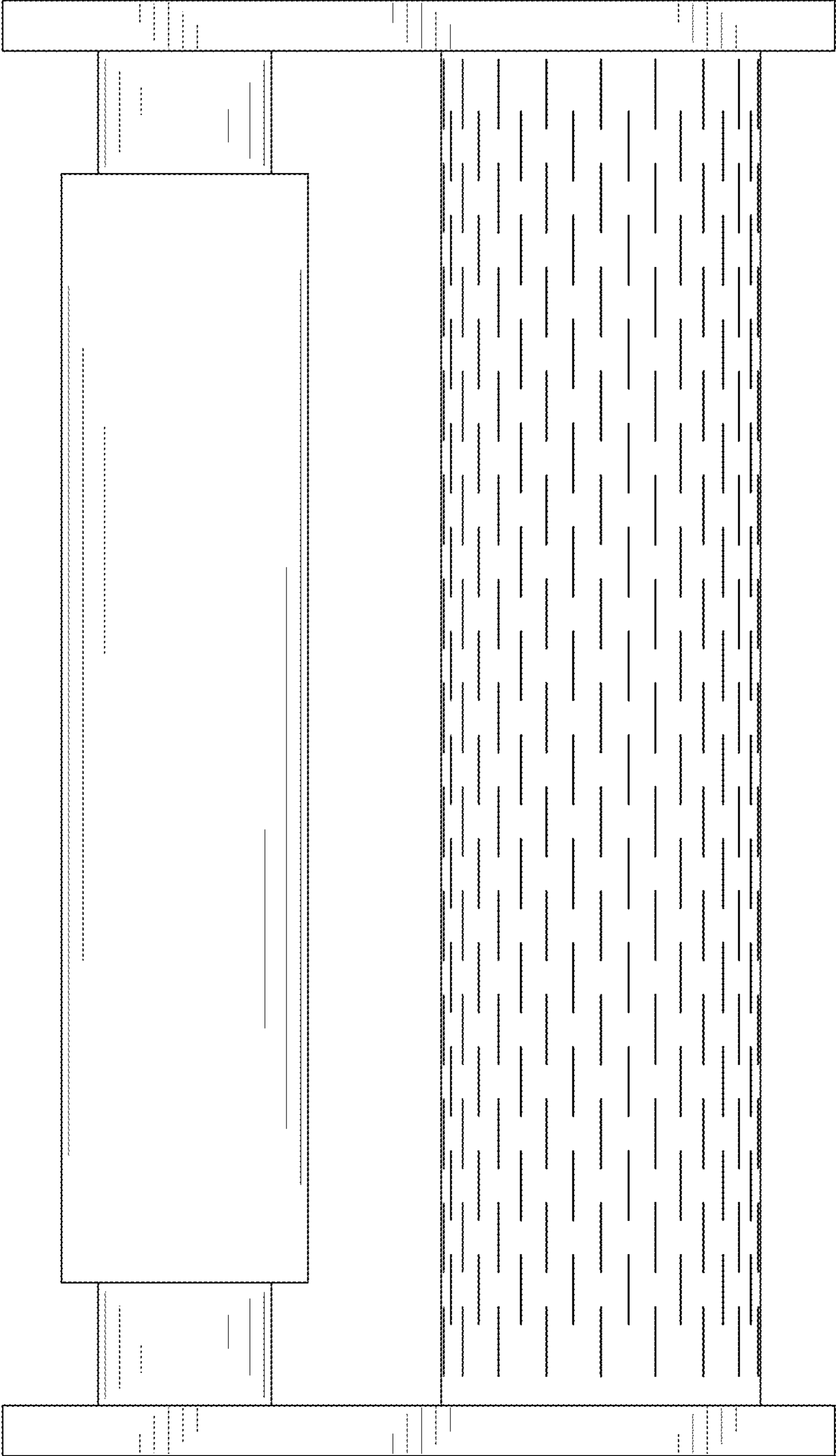


FIG. 5

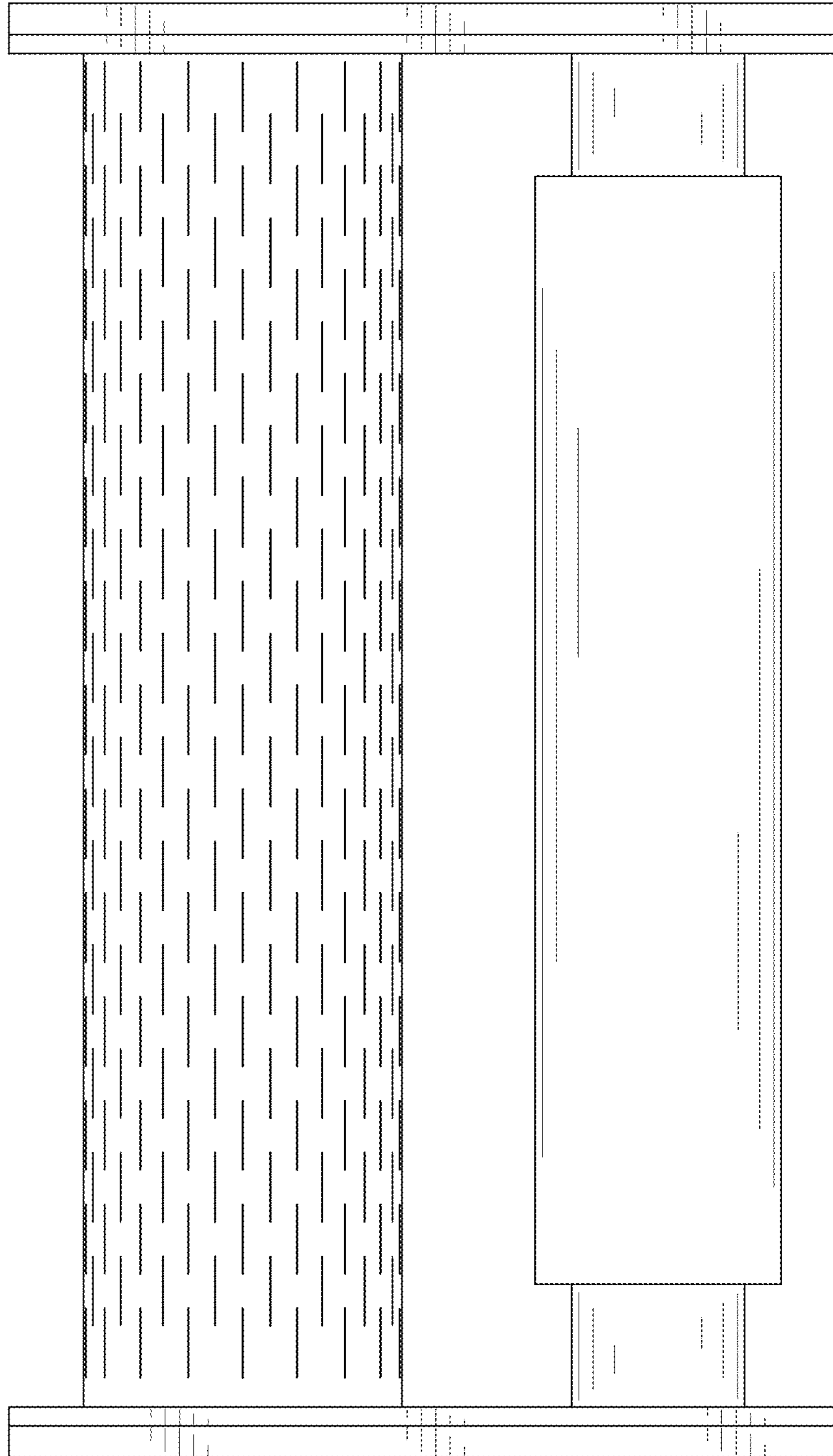


FIG. 6

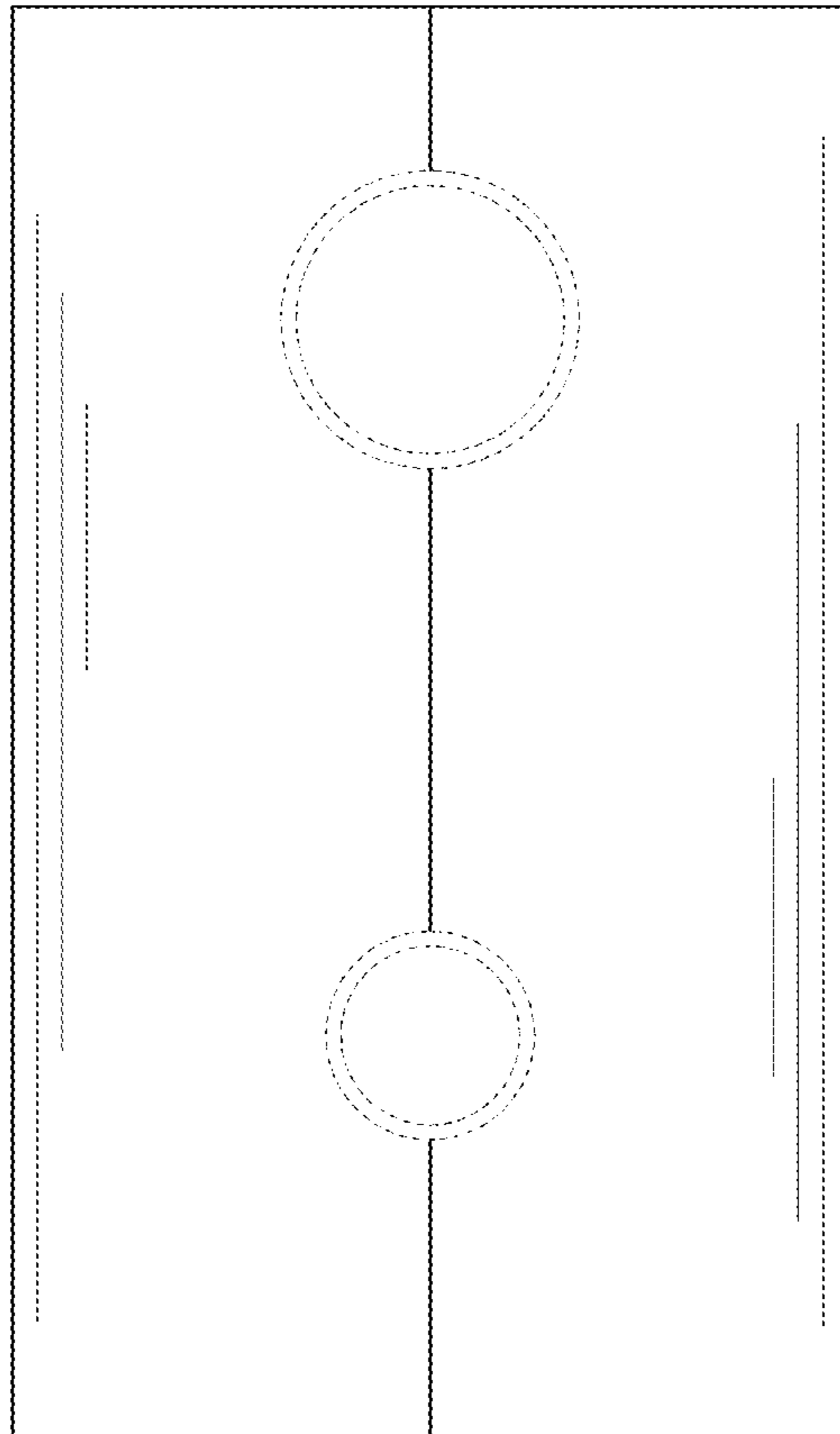


FIG. 7

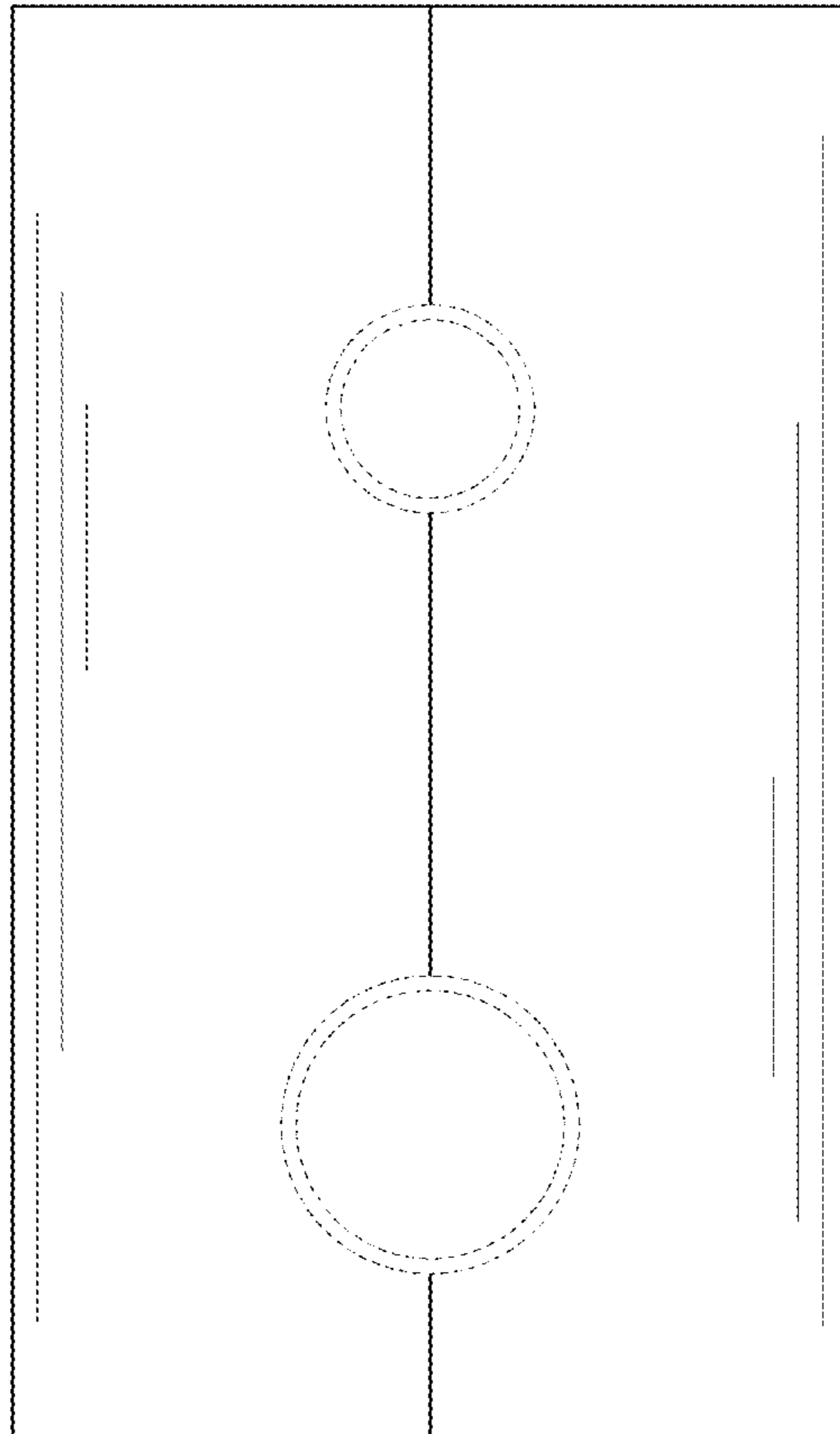


FIG. 8

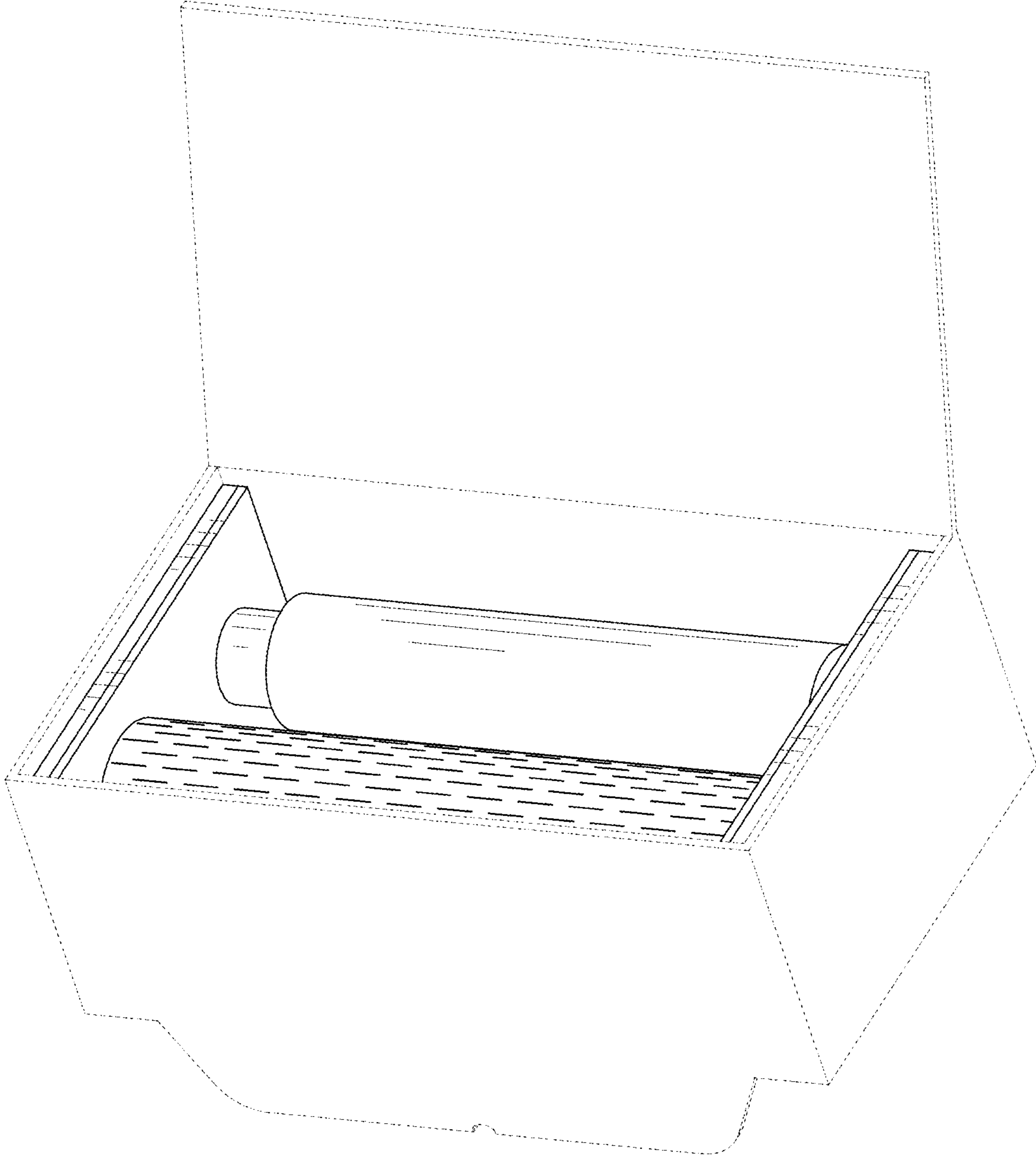


FIG. 9

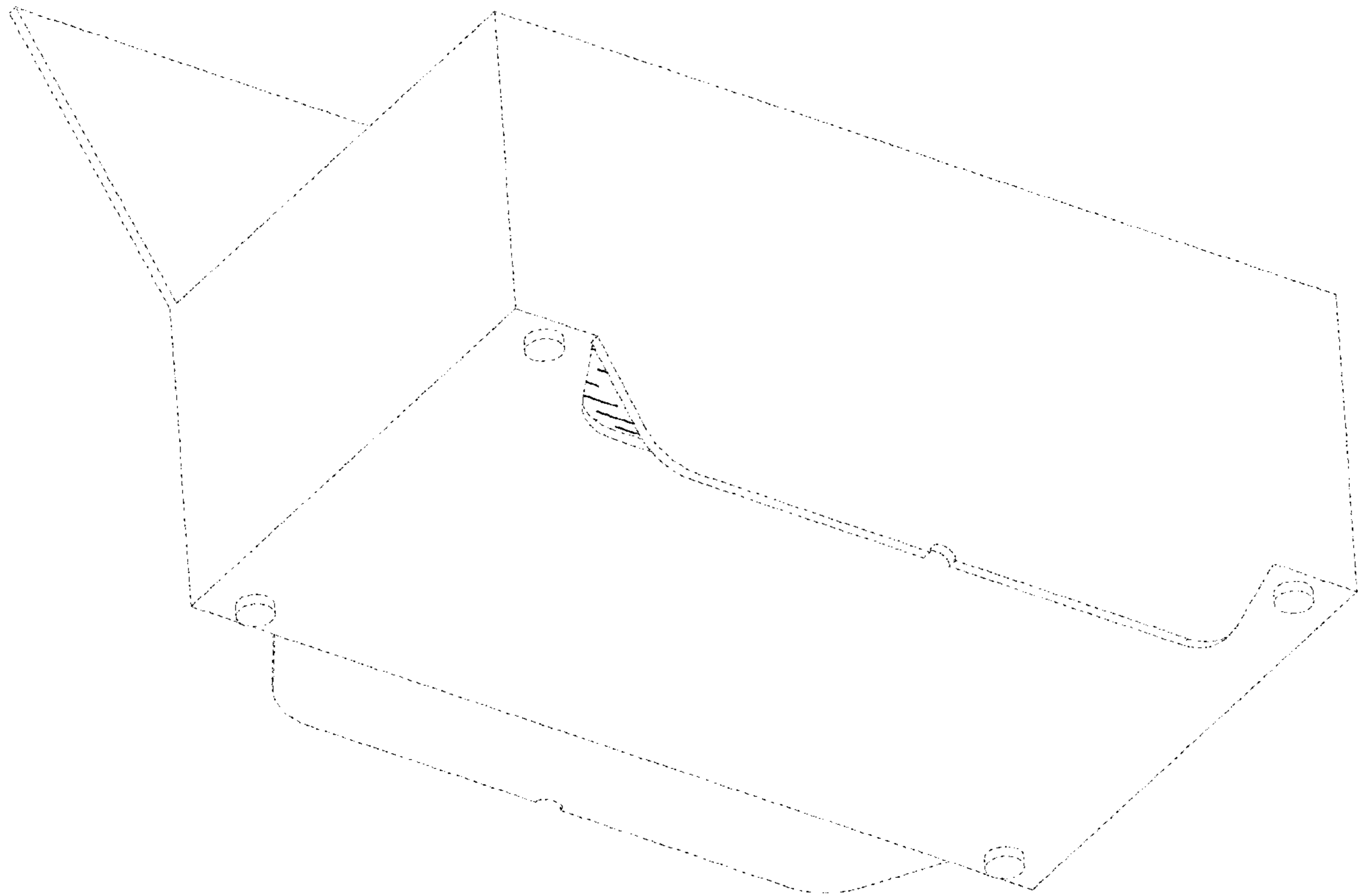


FIG. 10