



US00D977271S

(12) **United States Design Patent**
Meng

(10) **Patent No.:** **US D977,271 S**

(45) **Date of Patent:** **** Feb. 7, 2023**

(54) **CHAIR**

(71) Applicant: **Xianghu Meng**, Xuzhou (CN)

(72) Inventor: **Xianghu Meng**, Xuzhou (CN)

(**) Term: **15 Years**

(21) Appl. No.: **29/823,799**

(22) Filed: **Jan. 20, 2022**

(51) **LOC (14) Cl.** **06-01**

(52) **U.S. Cl.**
USPC **D6/366**

(58) **Field of Classification Search**
USPC D6/356, 362, 366, 367, 374, 375, 379,
D6/380, 716.1

CPC A47C 1/02; A47C 1/022; A47C 1/024;
A47C 1/032; A47C 1/03255; A47C 3/18;
A47C 3/20; A47C 3/025; A47C 3/026;
A47C 7/18; A47C 7/24; A47C 7/36;
A47C 7/46; A47C 9/02; A47C 5/04;
A47C 5/06; A47C 5/08; A47C 5/10
See application file for complete search history.

(56) **References Cited**

U.S. PATENT DOCUMENTS

D266,291 S	*	9/1982	Leffler	D6/366
D320,705 S	*	10/1991	Novotny	D6/366
D390,713 S	*	2/1998	Chen	D6/374
D493,292 S	*	7/2004	Seiler	D6/342
D585,204 S	*	1/2009	Wieland	D6/366
D767,928 S	*	10/2016	Silvonen	D6/366

D784,036 S		4/2017	Ruiter et al.	
D815,446 S	*	4/2018	Jahns D6/366
D866,215 S	*	11/2019	Lenhart D6/380
D882,978 S	*	5/2020	Fribush D6/366
D886,474 S		6/2020	Jeffery et al.	
D887,163 S	*	6/2020	Grossinger D6/381
D887,164 S	*	6/2020	Grossinger D6/381
D908,373 S	*	1/2021	Wang D6/335

* cited by examiner

Primary Examiner — R. Johnson

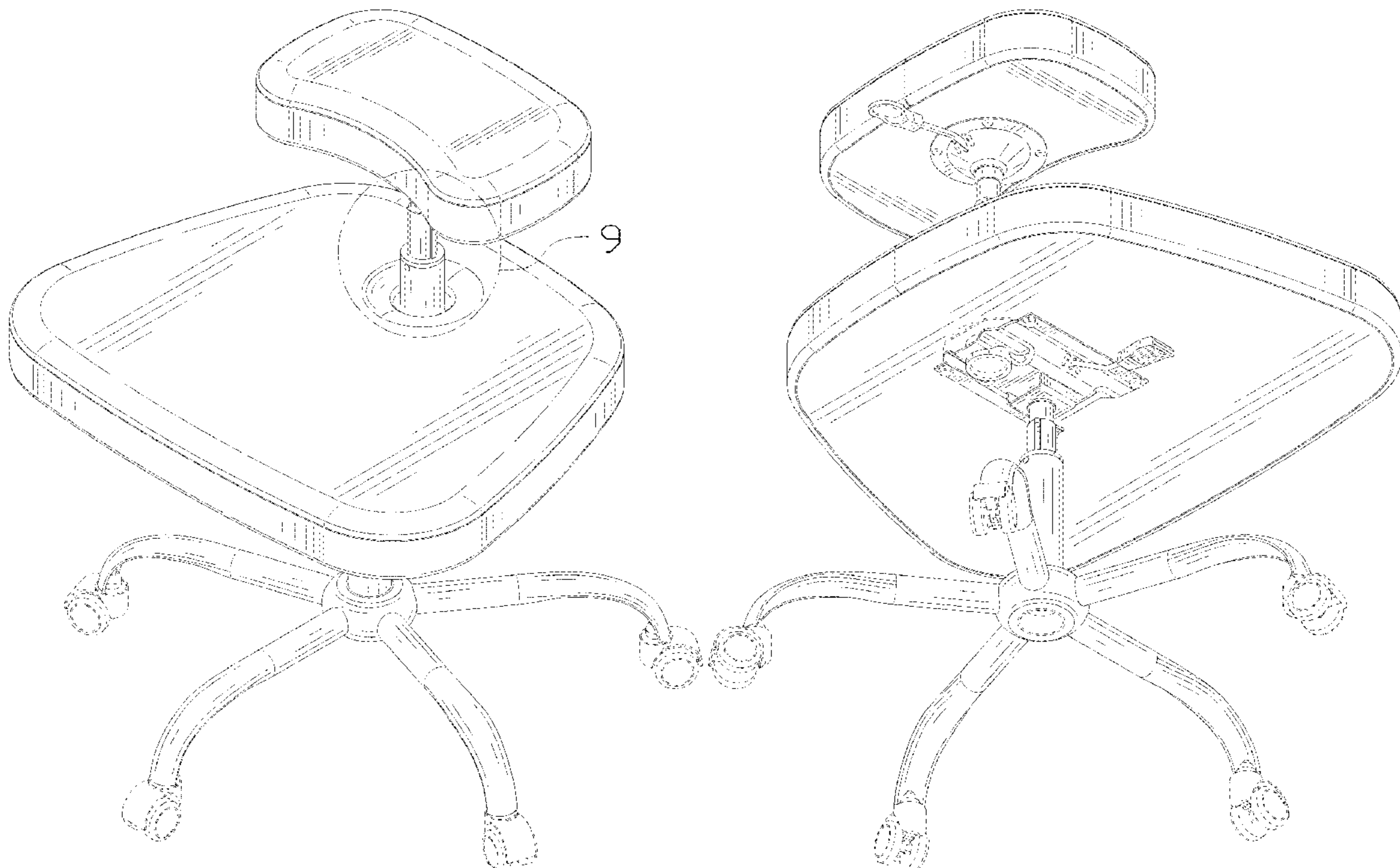
(57) **CLAIM**

The ornamental design for a chair, as shown and described.

DESCRIPTION

FIG. 1 is a perspective view of a chair showing my new design;
 FIG. 2 is another perspective view thereof;
 FIG. 3 is a front elevational view thereof;
 FIG. 4 is a rear elevational view thereof;
 FIG. 5 is a left side elevational view thereof;
 FIG. 6 is a right side elevational view thereof;
 FIG. 7 is a top plan view thereof;
 FIG. 8 is a bottom plan view thereof; and,
 FIG. 9 is an enlarged view of portion 9 shown in FIG. 1.
 The dash-dash broken lines in the drawings depict portions of the chair that form no part of the claimed design. The dot-dash broken lines represent the boundary of the enlarged portion and form no part of the claimed design.

1 Claim, 9 Drawing Sheets



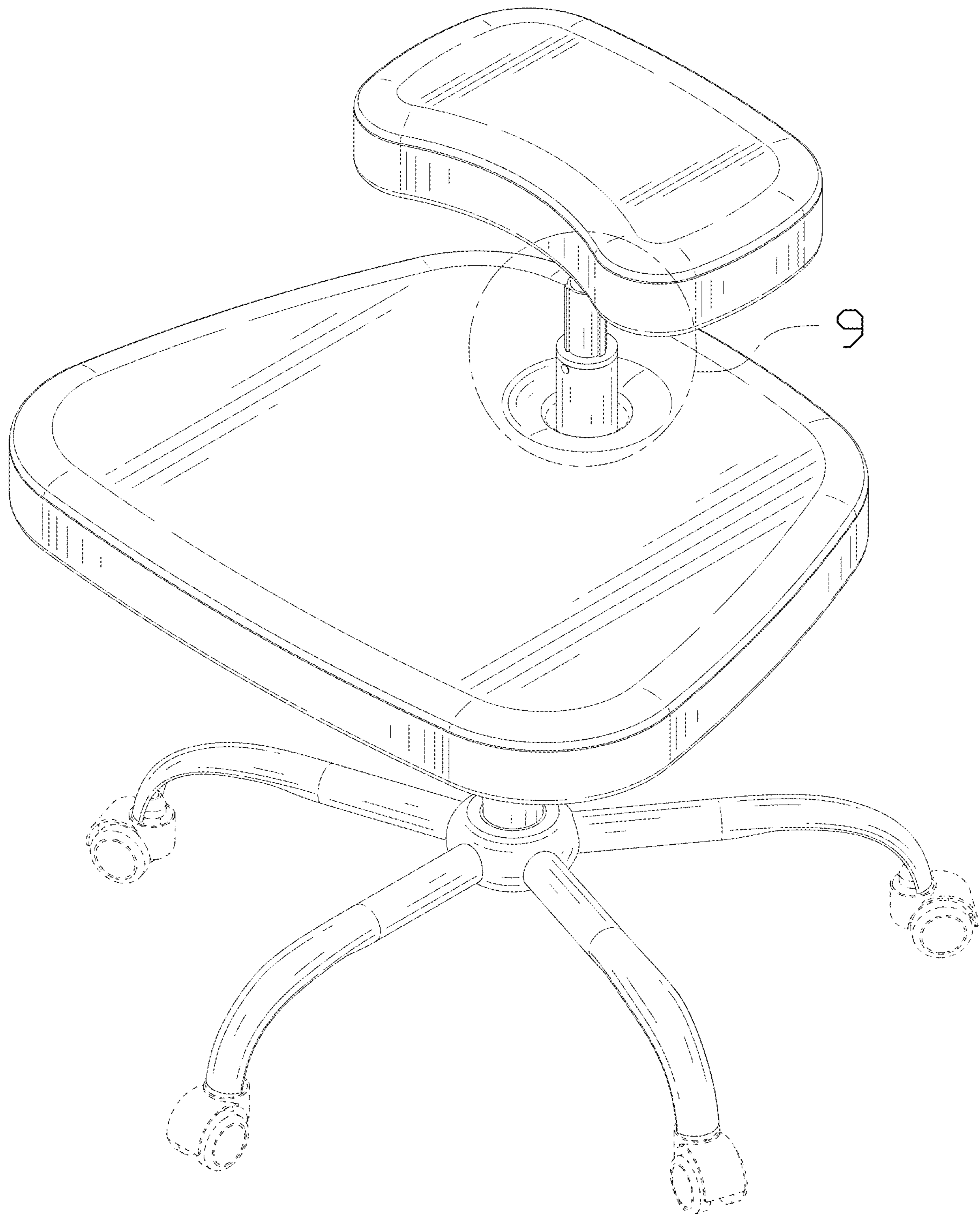


FIG. 1

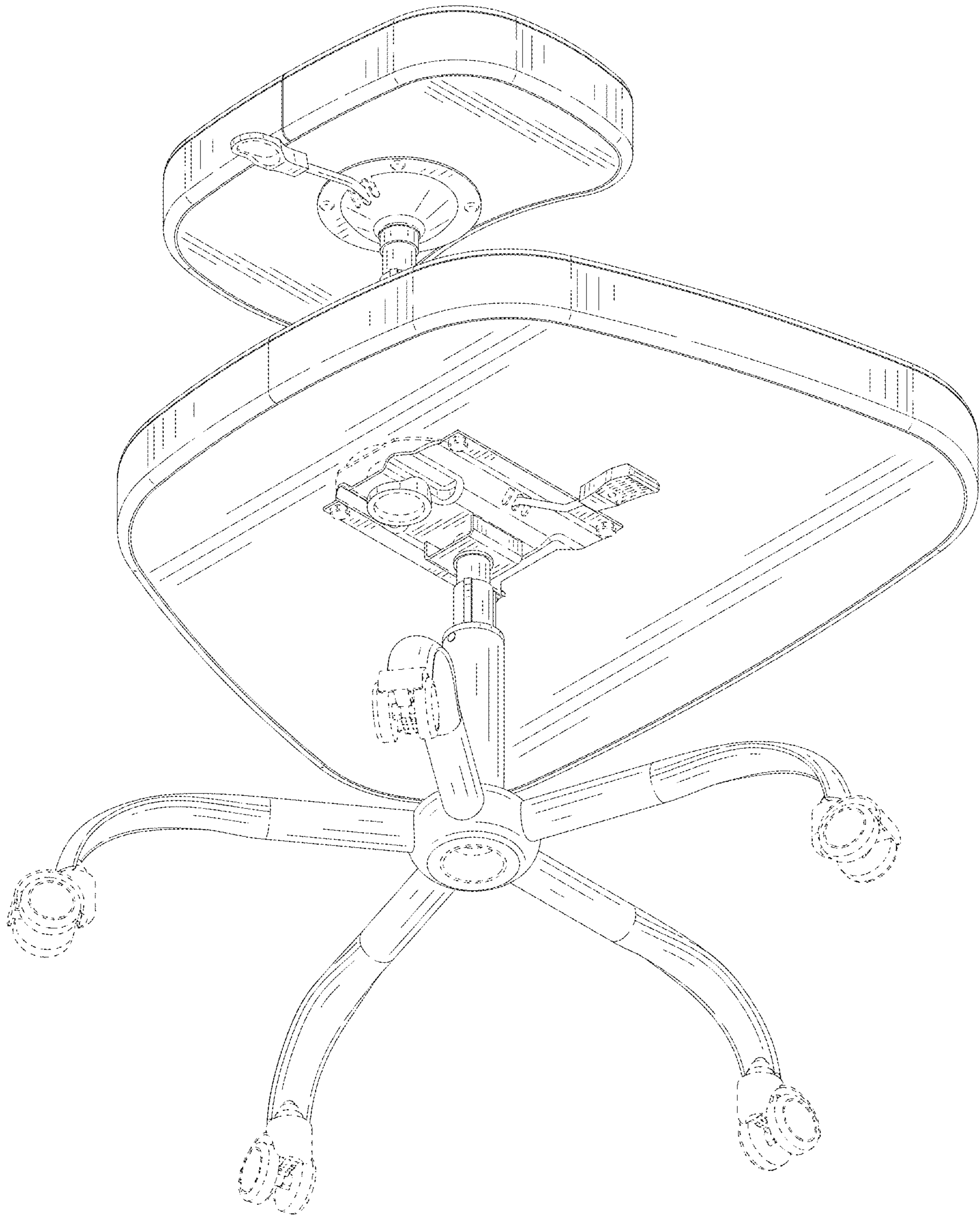


FIG. 2

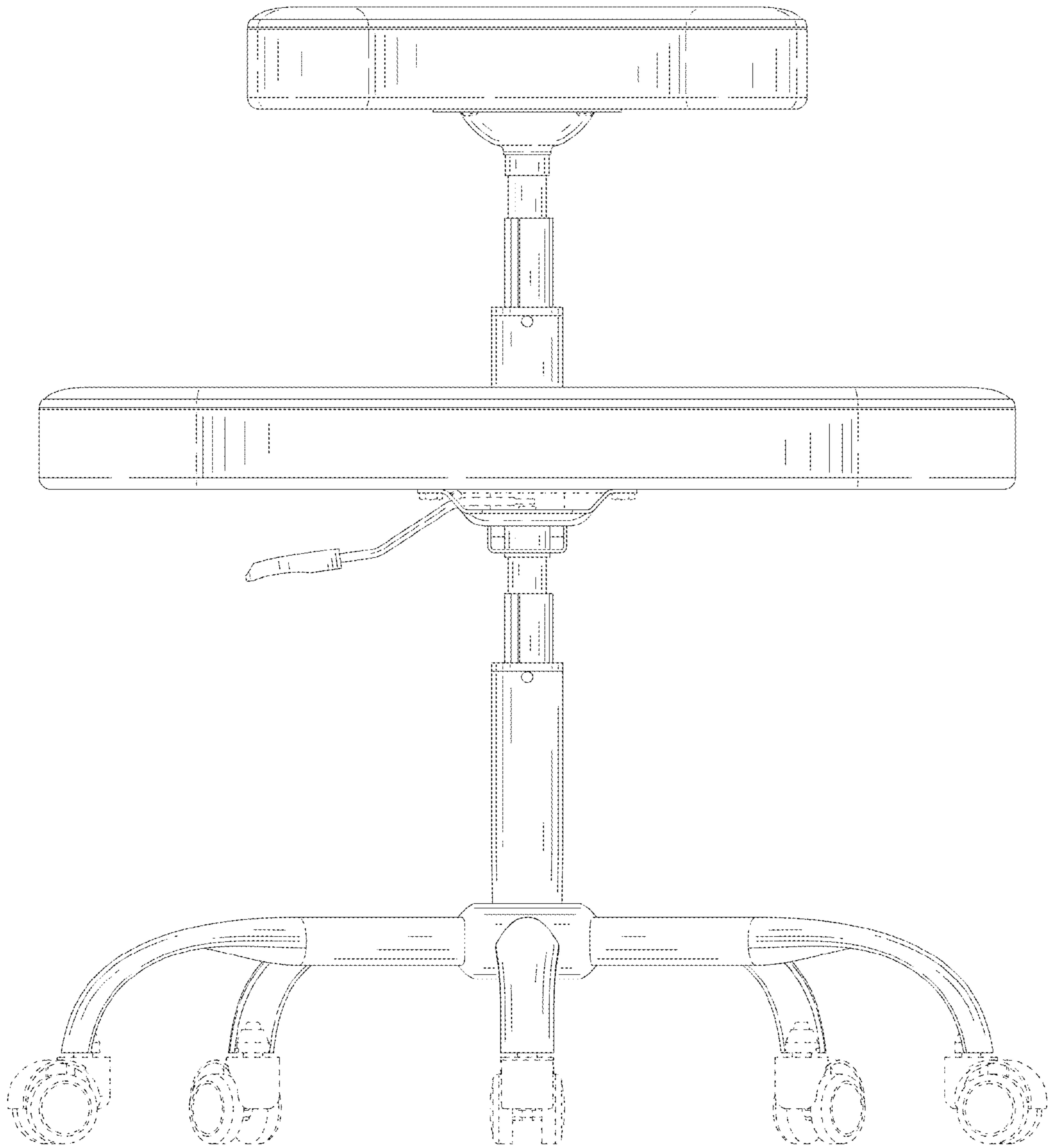


FIG. 3

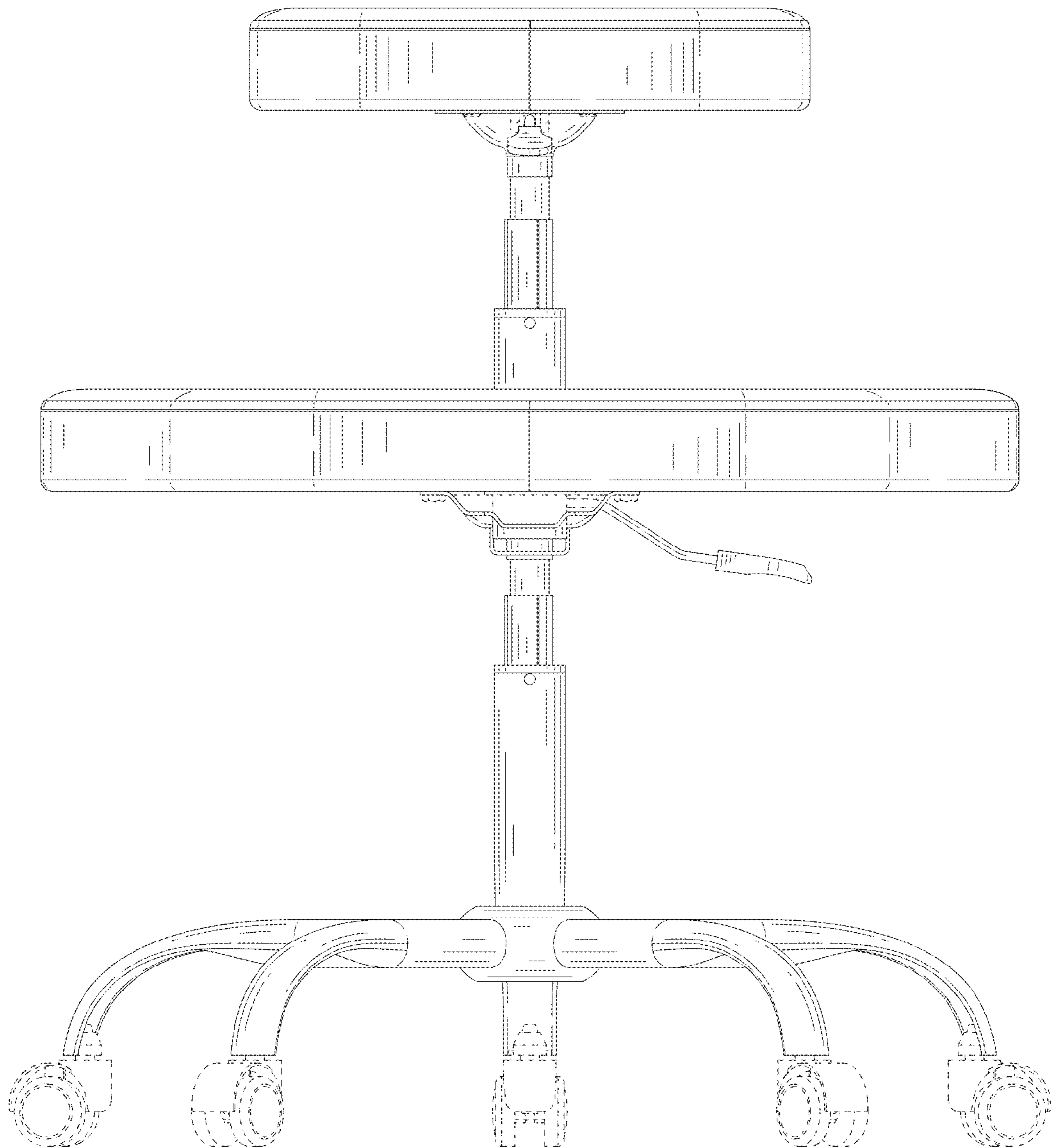


FIG. 4

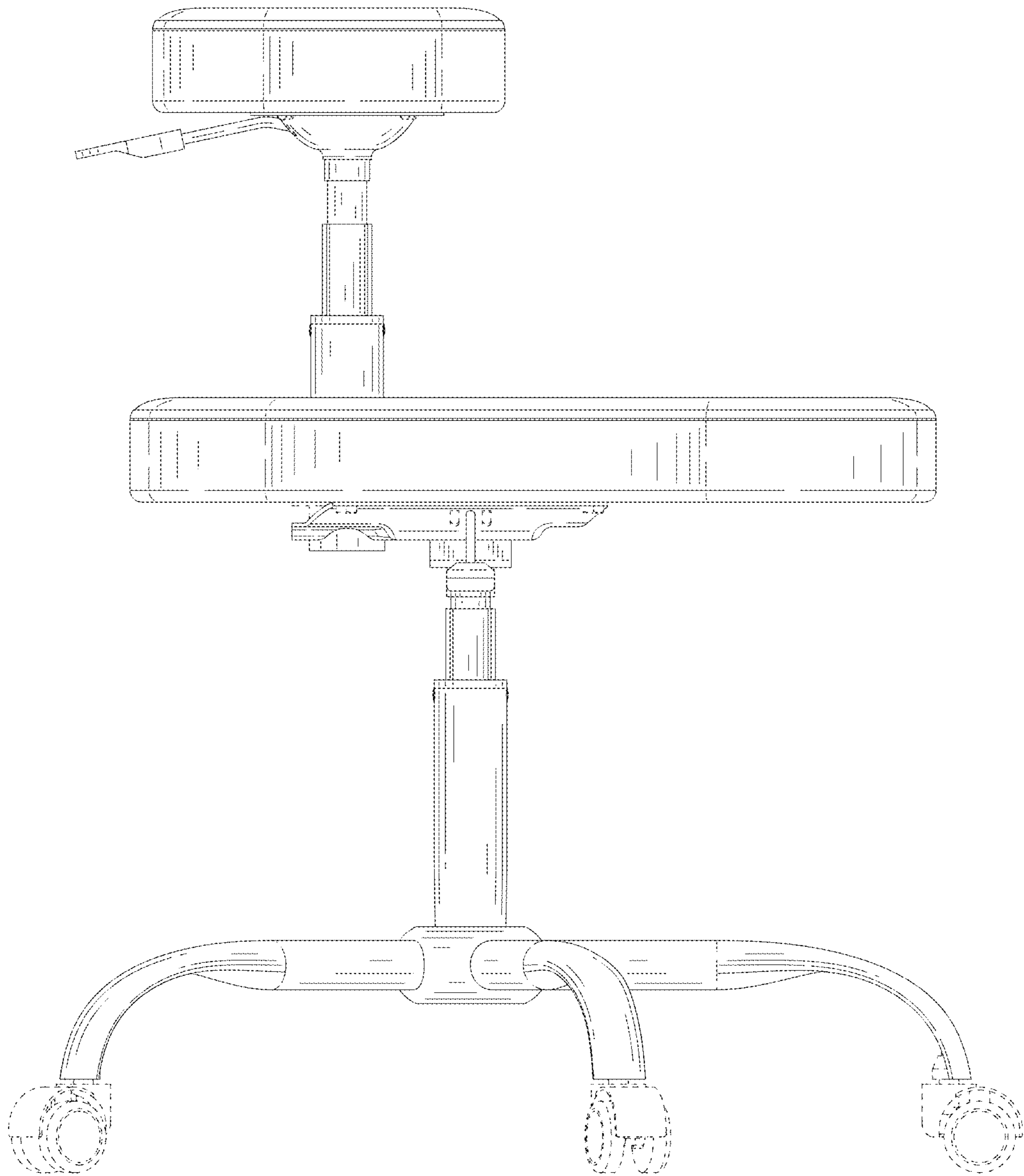


FIG. 5

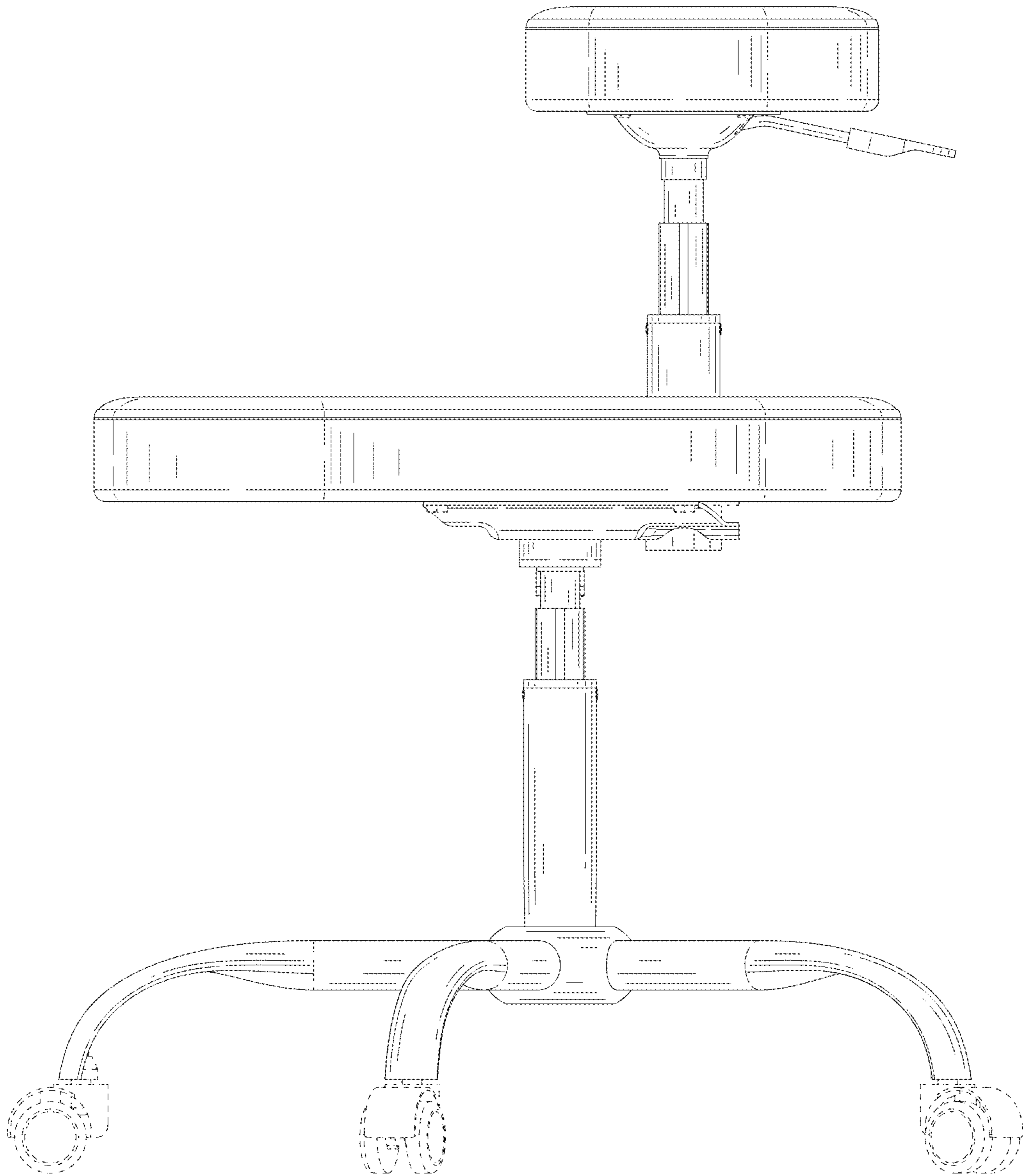


FIG. 6

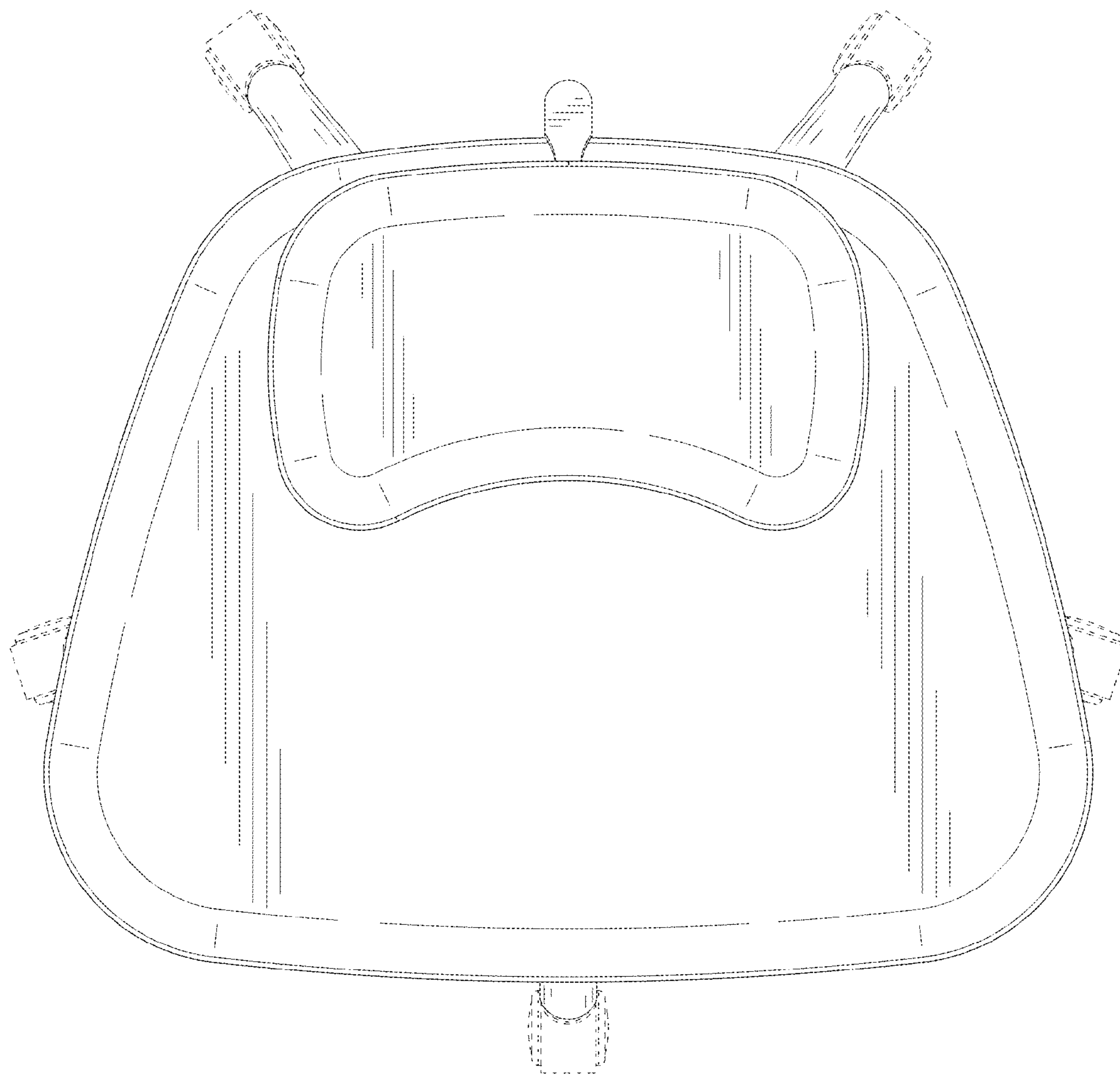


FIG. 7

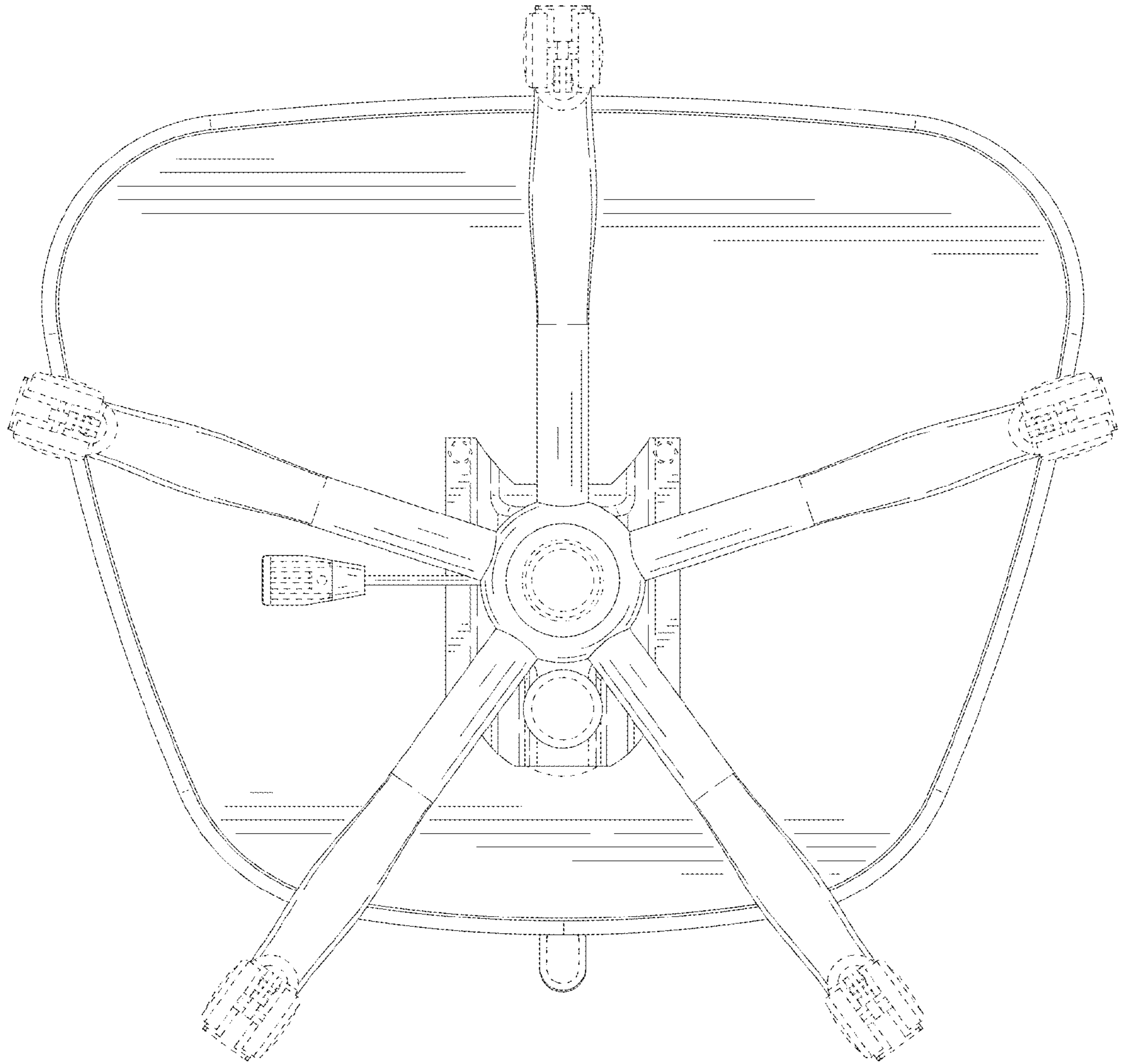


FIG. 8

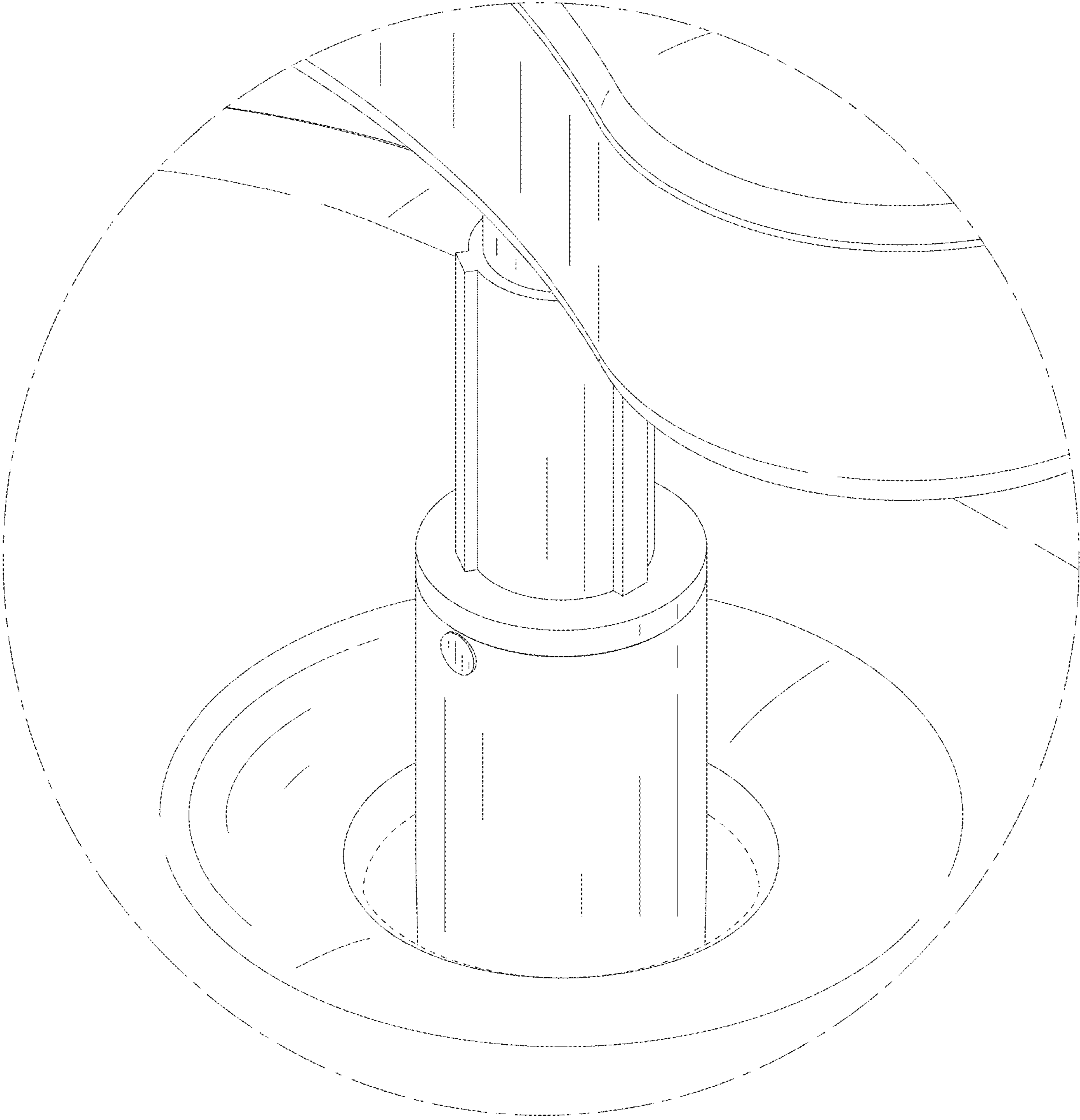


FIG. 9