

US00D977265S

(12) **United States Design Patent** (10) **Patent No.:** **US D977,265 S**
Berke (45) **Date of Patent:** **** Feb. 7, 2023**

(54) **SITTING BALL**
(71) Applicant: **Hit Notion, LLC**, Madison Heights, MI (US)
(72) Inventor: **Jason Jerold Berke**, Bloomfield Hills, MI (US)
(73) Assignee: **Hit Notion, LLC**, Madison Heights, MI (US)

D498,799 S * 11/2004 Kerry D21/662
D521,094 S 5/2006 Huang
7,044,558 B2 5/2006 Chiu
D522,596 S * 6/2006 Laliberty D21/713
D531,240 S * 10/2006 Geisendorfer D21/713
7,311,644 B2 12/2007 Hale
7,828,681 B2 * 11/2010 Geisendorfer A63B 41/08
473/610
7,901,339 B2 * 3/2011 Schechter A63B 26/003
482/142

(Continued)

(**) Term: **15 Years**

OTHER PUBLICATIONS

(21) Appl. No.: **29/763,503**

XGYLVFEI Sitting Ball Chair, date first available Aug. 15, 2020 [online], Retrieved on Jun. 13, 2022 from URL: <https://www.amazon.com/XGYLVFEI-Lightweight-Self-Standing-Ergonomic-Activating/dp/B08FY64KTV> (Year: 2020).*

(Continued)

(22) Filed: **Dec. 22, 2020**

Primary Examiner — Vy N Koenig
Assistant Examiner — Michelle M Reeves
(74) *Attorney, Agent, or Firm* — Brett A. Schenck

(51) **LOC (14) Cl.** **06-01**

(52) **U.S. Cl.**
USPC **D6/352; D6/349**

(58) **Field of Classification Search**
USPC D6/349, 334, 345, 351, 380, 352;
D3/238, 257; D21/662, 687, 694, 713
CPC A47C 4/54; A47C 9/002; A63B 26/003;
A63B 41/08
See application file for complete search history.

(57) **CLAIM**

The ornamental design for a sitting ball, as shown and described.

(56) **References Cited**

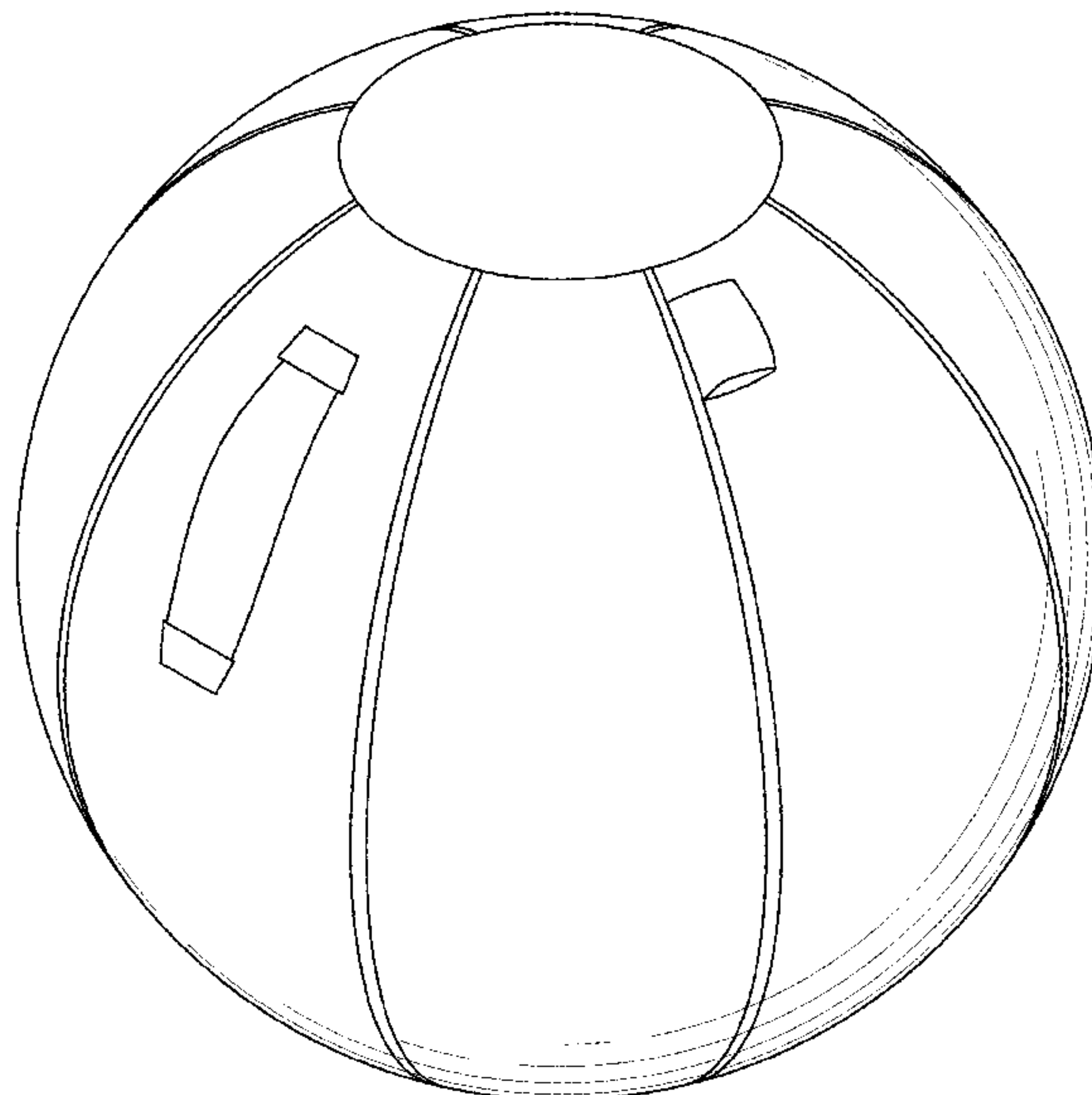
DESCRIPTION

U.S. PATENT DOCUMENTS

D9,272 S * 5/1876 Ganiard D6/352
1,458,672 A * 6/1923 Witmer A63B 41/08
473/597
1,518,901 A * 12/1924 Collins F16K 15/202
473/610
2,352,872 A * 7/1944 Voit A63B 41/08
156/170
D216,012 S * 11/1969 Buchsbaum D6/352
D229,793 S * 1/1974 Tibbs D3/238
D318,567 S * 7/1991 Smith D7/901
5,735,776 A * 4/1998 Swezey A63B 21/0085
482/148
5,947,563 A 9/1999 Klimenko
D441,205 S 5/2001 Hsu et al.

FIG. 1 is a top, front, right perspective view of a sitting ball, showing my new design;
FIG. 2 is a front view thereof;
FIG. 3 is a right side view thereof;
FIG. 4 is a rear view thereof;
FIG. 5 is a left view thereof;
FIG. 6 is a top view thereof; and,
FIG. 7 is a bottom view thereof.
The even length broken lines in the drawings depict portions of the sitting ball that form no part of the claimed design.

1 Claim, 7 Drawing Sheets



(56)

References Cited

U.S. PATENT DOCUMENTS

D638,071 S * 5/2011 Tyler D21/372
 7,993,250 B2 8/2011 Abbott
 D663,793 S * 7/2012 Guarrasi D21/713
 8,235,878 B2 8/2012 Signorile et al.
 D683,538 S * 6/2013 Kossman D21/713
 D712,171 S * 9/2014 Alessandri D6/349
 9,403,055 B2 * 8/2016 Alessandri A63B 26/003
 D769,990 S 10/2016 Jung
 9,616,272 B1 * 4/2017 Bennett A63B 21/0602
 9,713,383 B2 7/2017 Hsu
 D817,013 S 5/2018 Hassman
 D818,730 S * 5/2018 Melbostad D6/352
 D819,356 S 6/2018 Borak et al.
 D819,989 S 6/2018 Hassman
 10,486,034 B2 11/2019 Ha
 D871,784 S 1/2020 Sit et al.
 D946,293 S * 3/2022 Jongerius D6/377
 2011/0111934 A1 5/2011 Taylor et al.
 2014/0265495 A1 9/2014 Bay
 2015/0045191 A1 * 2/2015 Carter A63B 41/125
 482/93
 2015/0141220 A1 * 5/2015 Wargo A63B 21/0606
 482/139
 2016/0279460 A1 * 9/2016 Leo A63B 47/00
 2019/0111308 A1 * 4/2019 Naomi A63B 21/4019

OTHER PUBLICATIONS

Big Joe Fuf Beanbag Chair, available in ubuy.com.pk, customer review oldest date Nov. 23, 2018, Retrieved on Jun. 29, 2022 from URL: <https://www.ubuy.com.pk/en/product/3OGG1WW88-fuf-large-gray-plush> (Year: 2018).*

German Design Registration No. 402015201076-0001, Published on May 22, 2015.

German Design Registration No. 402015201076-0002, Published on May 22, 2015.

German Design Registration No. 402015201076-0003, Published on May 22, 2015.

German Design Registration No. 402015201076-0004, Published on May 22, 2015.

Vivora Luno, posted at Youtube.com, posted on Apr. 2, 2017, site visited Oct. 18, 2018 and Aug. 24, 2022. online, available from internet: <https://www.youtube.com/watch?v=xYO4bpEDHjk>.

Collection of Ball Clipart Black And White (35), site visited on Nov. 1, 2020, Available from internet, <URL: <http://clipart-library.com/ball-clipart-black-and-white.html>.

* cited by examiner

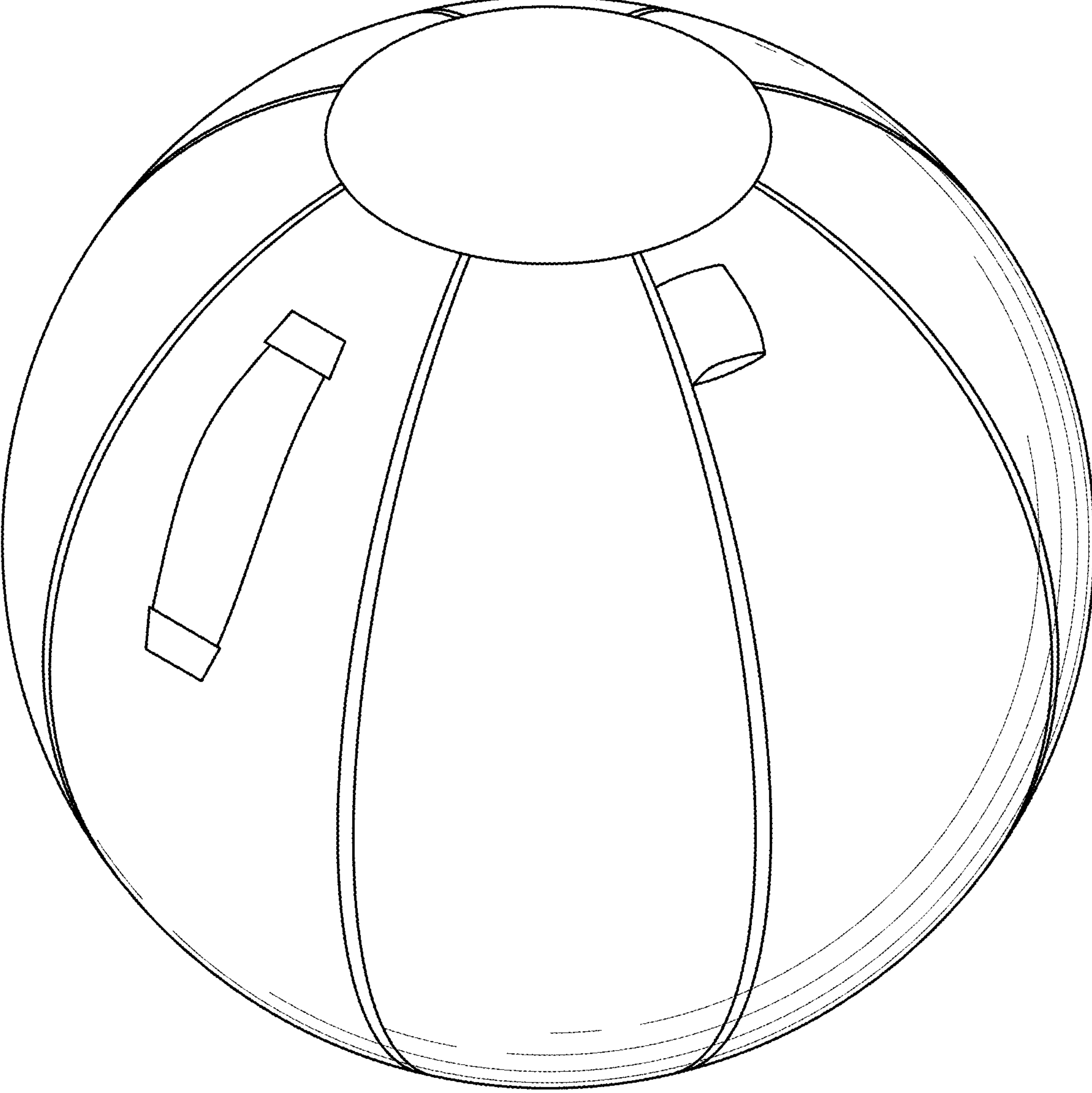


FIG. 1

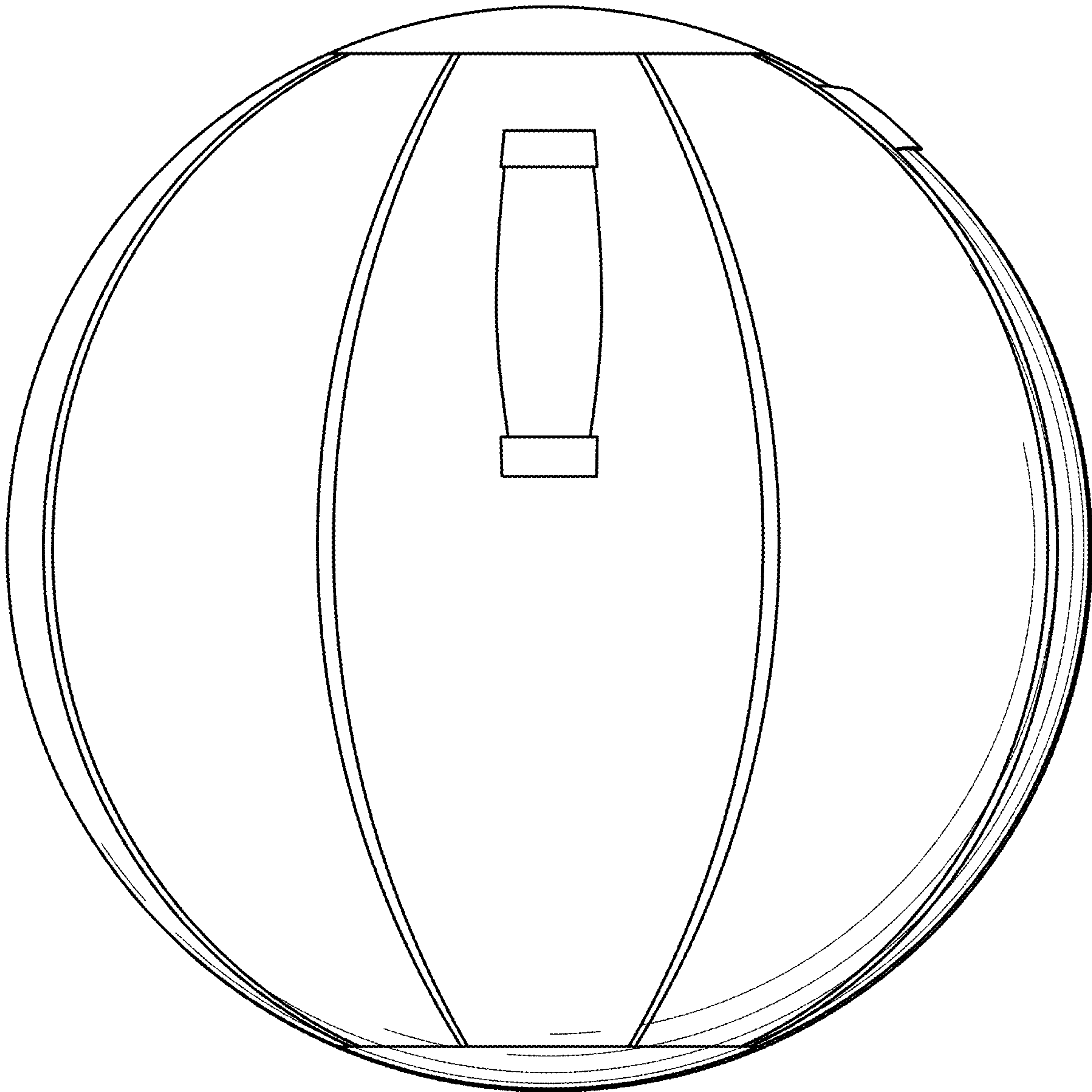


FIG. 2

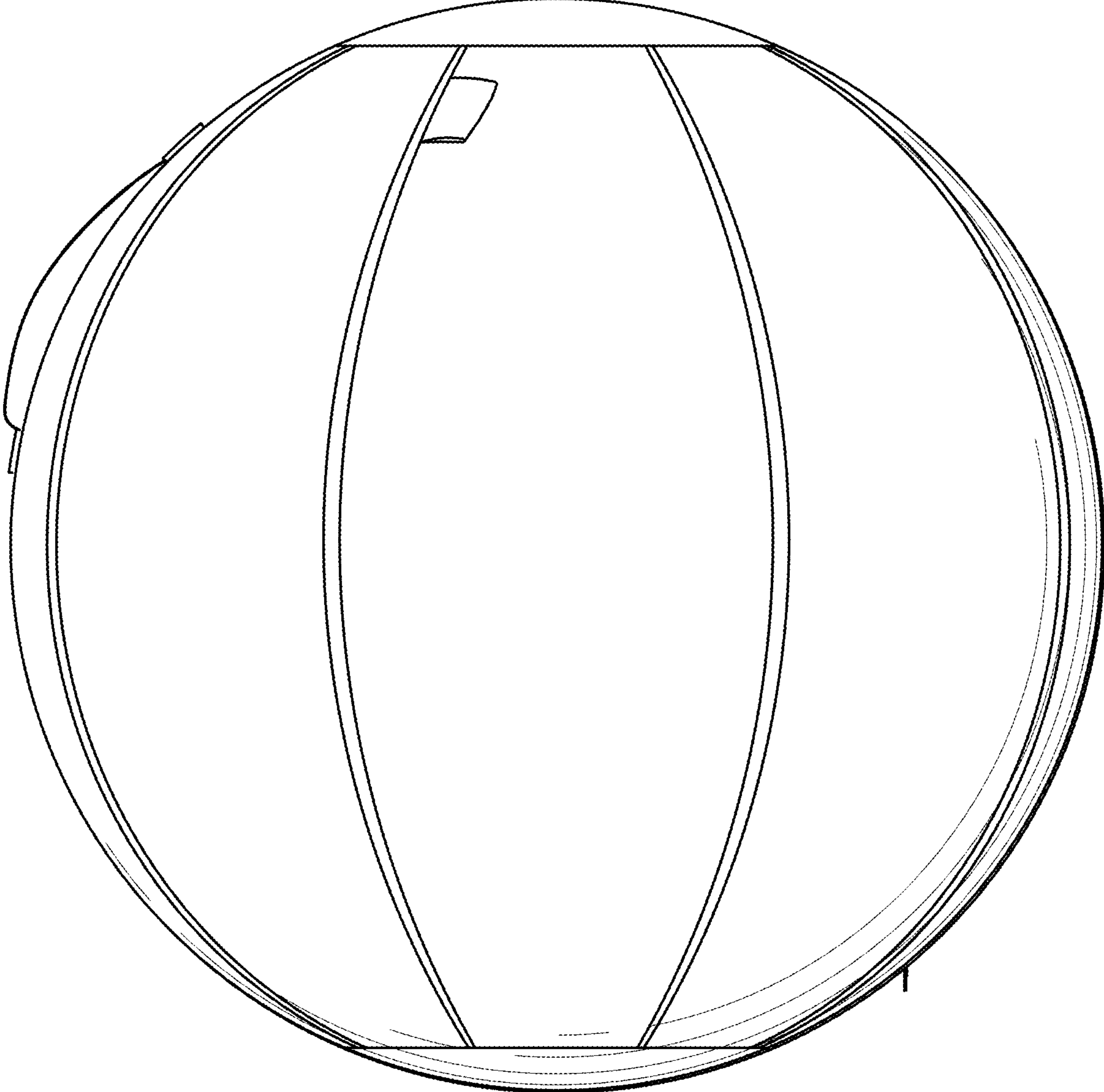


FIG. 3

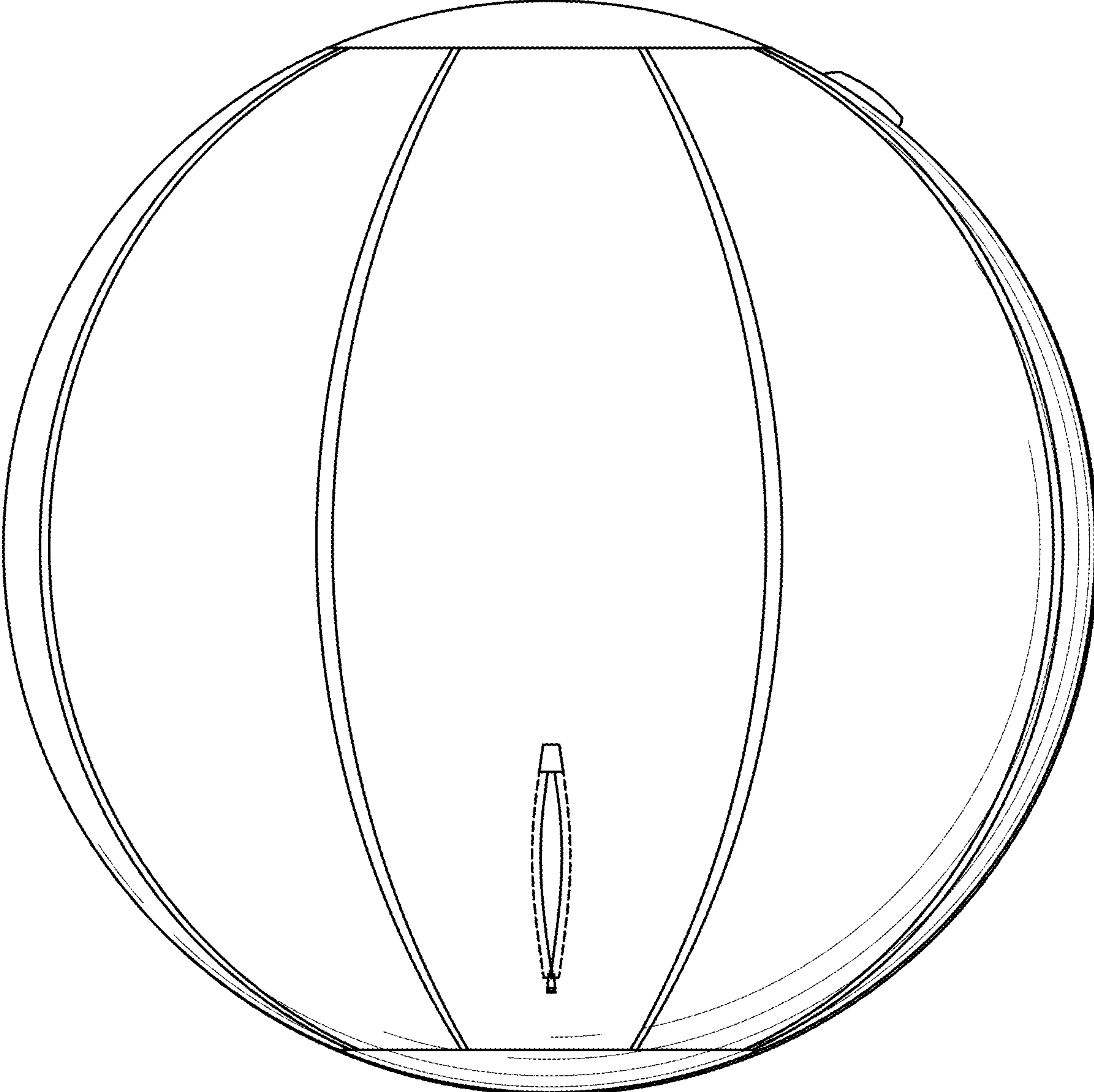


FIG. 4

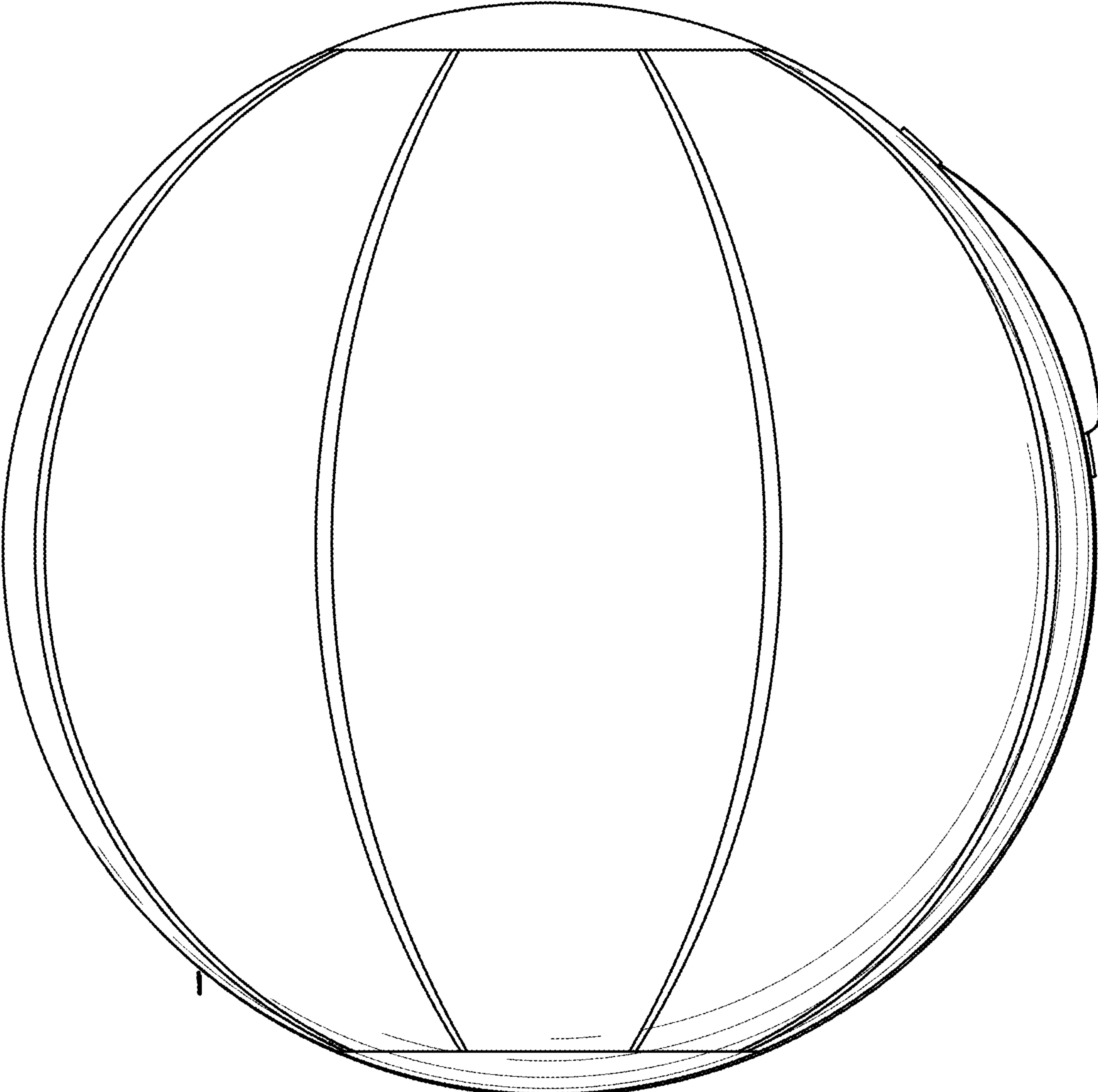


FIG. 5

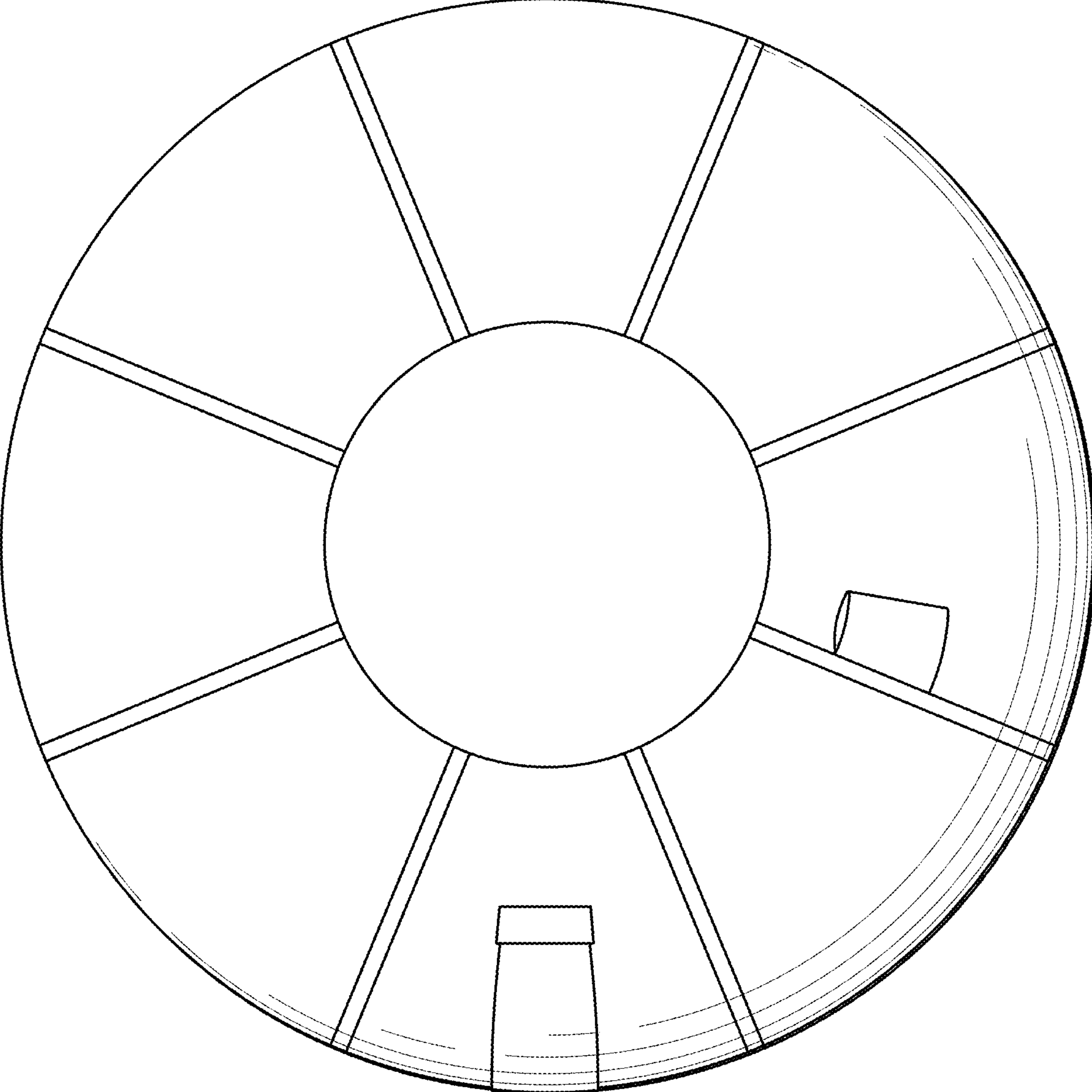


FIG. 6

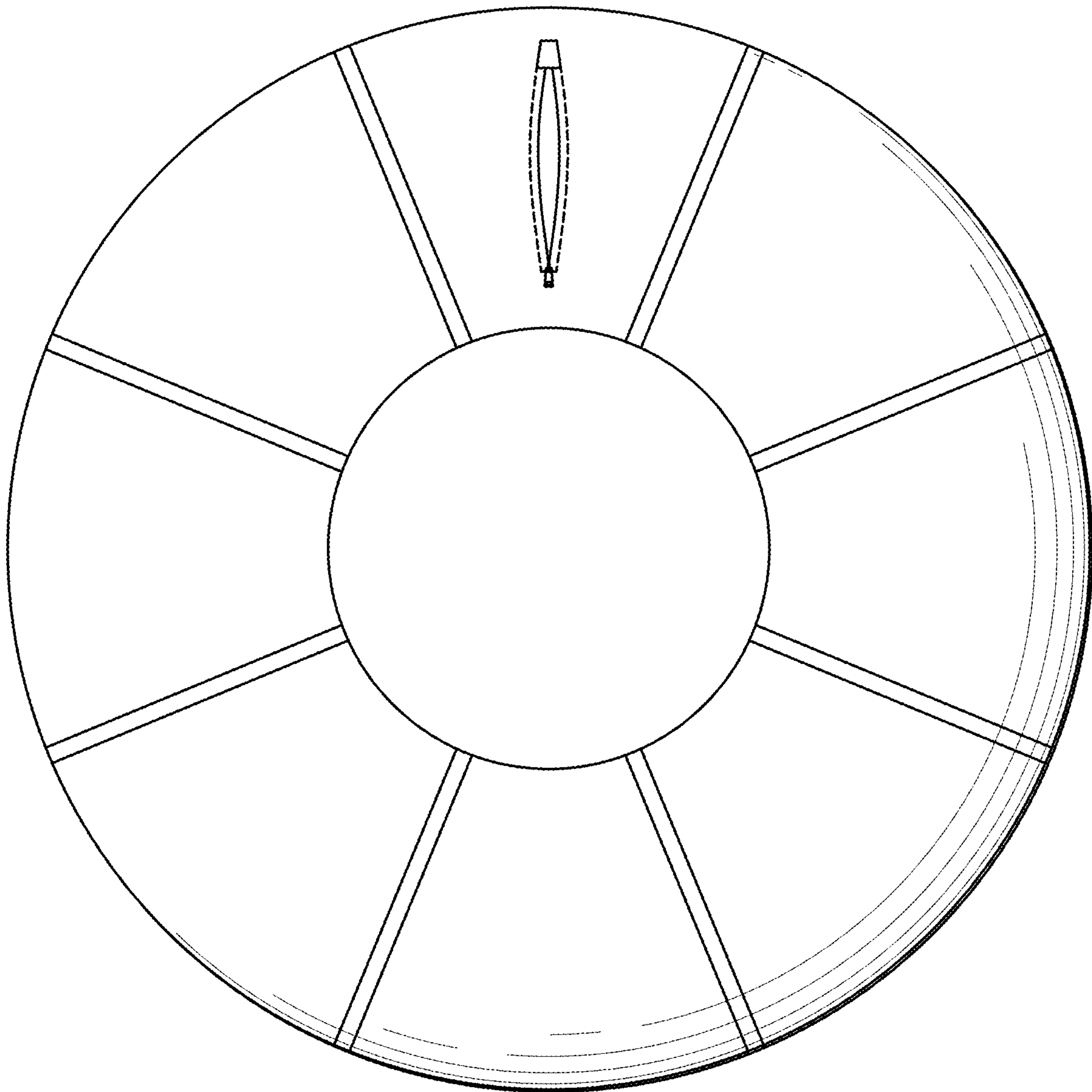


FIG. 7