



US00D977264S

(12) **United States Design Patent** (10) **Patent No.:** **US D977,264 S**  
**Berke** (45) **Date of Patent:** **\*\* Feb. 7, 2023**

(54) **SITTING BALL**  
(71) Applicant: **Hit Notion, LLC**, Madison Heights, MI (US)  
(72) Inventor: **Jason Jerold Berke**, Bloomfield Hills, MI (US)  
(73) Assignee: **Hit Notion, LLC**, Madison Heights, MI (US)

D441,205 S 5/2001 Hsu et al.  
D498,799 S \* 11/2004 Kerry ..... D21/662  
D521,094 S 5/2006 Huang  
7,044,558 B2 5/2006 Chiu  
D522,596 S \* 6/2006 Laliberty ..... D21/713  
D531,240 S \* 10/2006 Geisendorfer ..... D21/713  
7,311,644 B2 12/2007 Hale  
7,828,681 B2 \* 11/2010 Geisendorfer ..... A63B 41/08  
473/610

(Continued)

(\*\*) Term: **15 Years**

(21) Appl. No.: **29/763,500**

(22) Filed: **Dec. 22, 2020**

(51) **LOC (14) Cl.** ..... **06-01**

(52) **U.S. Cl.**  
USPC ..... **D6/349**; D6/352

(58) **Field of Classification Search**  
USPC ..... D6/349, 334, 345, 351, 380, 352;  
D3/238, 257; D21/662, 687, 694, 713  
CPC ..... A47C 4/54; A47C 9/002; A63B 26/003;  
A63B 41/08  
See application file for complete search history.

(56) **References Cited**

**U.S. PATENT DOCUMENTS**

D9,272 S \* 5/1876 Ganiard ..... D6/352  
1,458,672 A \* 6/1923 Witmer ..... A63B 41/08  
473/597  
1,518,901 A \* 12/1924 Collins ..... F16K 15/202  
473/610  
2,352,872 A \* 7/1944 Voit ..... A63B 41/08  
156/170  
D216,012 S \* 11/1969 Buchsbaum ..... D6/352  
D229,793 S \* 1/1974 Tibbs ..... D3/238  
D318,567 S \* 7/1991 Smith ..... D7/901  
5,735,776 A \* 4/1998 Swezey ..... A63B 21/0085  
482/148  
5,947,563 A 9/1999 Klimenko

**OTHER PUBLICATIONS**

Stability Ball Chair for Office, available in Amazon.co.uk, date first available Jul. 25, 2019 [online], Retrieved on Jun. 13, 2022 from URL: <https://www.amazon.com/Stability-Ball-Chair-Office-Ergonomic/dp/B07VTHFVZ7> (Year: 2019).\*

(Continued)

*Primary Examiner* — Vy N Koenig  
*Assistant Examiner* — Michelle M Reeves  
(74) *Attorney, Agent, or Firm* — Brett A. Schenck

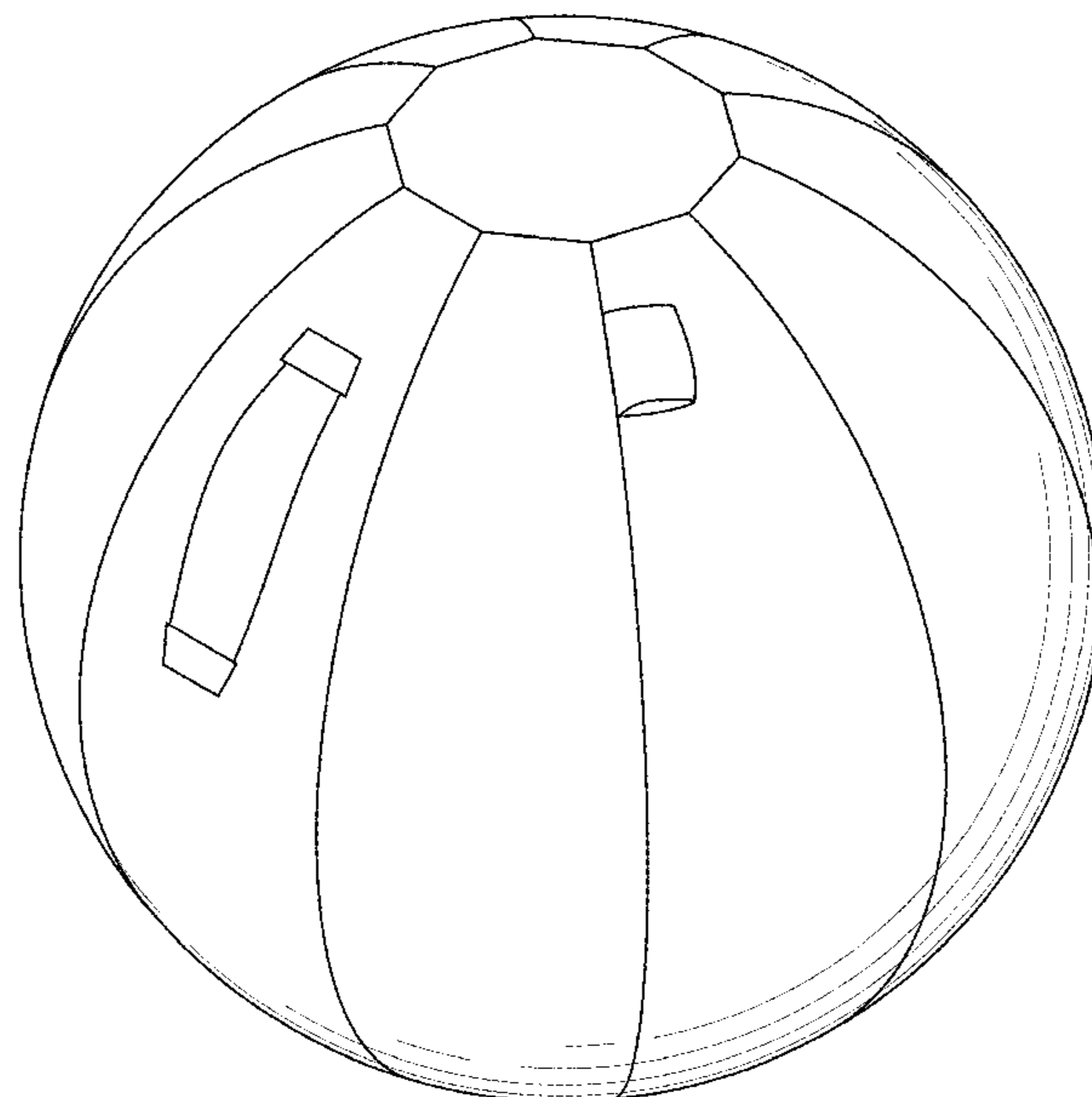
(57) **CLAIM**

The ornamental design for a sitting ball, as shown and described.

**DESCRIPTION**

FIG. 1 is a top, front, right perspective view of a sitting ball, showing my new design;  
FIG. 2 is a front view thereof;  
FIG. 3 is a right side view thereof;  
FIG. 4 is a rear view thereof;  
FIG. 5 is a left view thereof;  
FIG. 6 is a top view thereof; and,  
FIG. 7 is a bottom view thereof.  
The even length broken lines in the drawings depict portions of the sitting ball that form no part of the claimed design.

**1 Claim, 7 Drawing Sheets**



(56)

References Cited

U.S. PATENT DOCUMENTS

7,901,339 B2 \* 3/2011 Schechter ..... A63B 26/003  
 482/142  
 D638,071 S \* 5/2011 Tyler ..... D21/372  
 7,993,250 B2 8/2011 Abbott  
 D663,793 S \* 7/2012 Guarrasi ..... D21/713  
 8,235,878 B2 8/2012 Signorile et al.  
 D683,538 S \* 6/2013 Kossman ..... D21/713  
 D712,171 S \* 9/2014 Alessandri ..... D6/349  
 9,403,055 B2 \* 8/2016 Alessandri ..... A63B 26/003  
 D769,990 S 10/2016 Jung  
 9,616,272 B1 \* 4/2017 Bennett ..... A63B 21/0602  
 9,713,383 B2 7/2017 Hsu  
 D817,013 S 5/2018 Hassman  
 D818,730 S \* 5/2018 Melbostad ..... D6/352  
 D819,356 S 6/2018 Borak et al.  
 D819,989 S 6/2018 Hassman  
 10,486,034 B2 11/2019 Ha  
 D871,784 S 1/2020 Sit et al.  
 D946,293 S \* 3/2022 Jongerius ..... D6/377  
 2011/0111934 A1 5/2011 Taylor et al.  
 2014/0265495 A1 9/2014 Bay  
 2015/0045191 A1 \* 2/2015 Carter ..... A63B 41/125  
 482/93

2015/0141220 A1 \* 5/2015 Wargo ..... A63B 21/0606  
 482/139  
 2016/0279460 A1 \* 9/2016 Leo ..... A63B 47/00  
 2019/0111308 A1 \* 4/2019 Naomi ..... A63B 21/4019

OTHER PUBLICATIONS

Vivora Luno Sitting Ball Review, published in YouTube on Apr. 2, 2017 [online], Retrieved on Oct. 4, 2022 from URL: <https://www.youtube.com/watch?v=xYO4bpEDHjk> (Year: 2017).\*

Collection of Ball Clipart Black and White (35), available in clipart-library.com, earliest available date May 27, 2018 Year 2018 [online], Retrieved on Oct. 4, 2022 from URL: <http://clipart-library.com/ball-clipart-black-and-white.html> (Year: 2018).\*

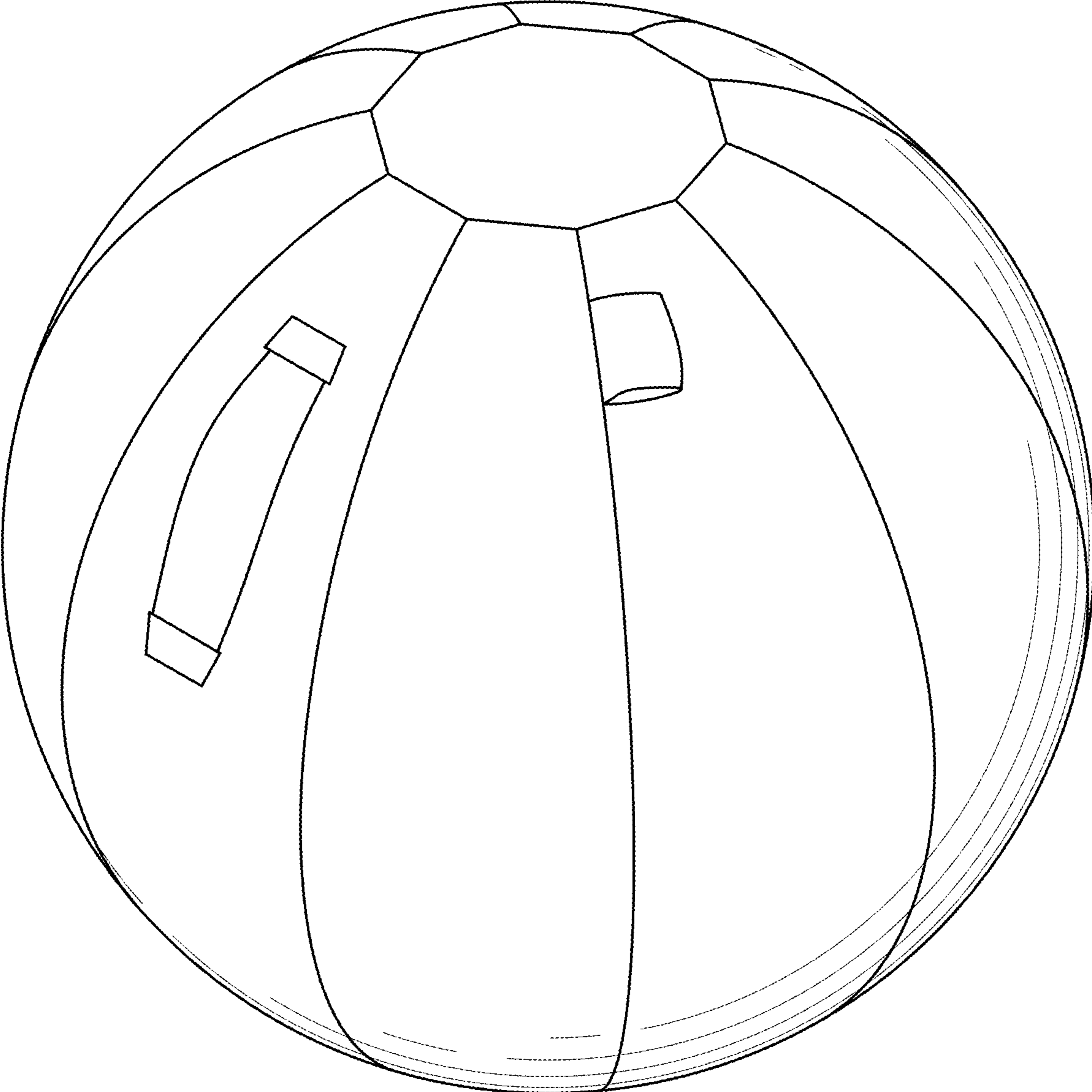
German Design Registration No. 402015201076-0001, dated May 22, 2015.

German Design Registration No. 402015201076-0002, dated May 22, 2015.

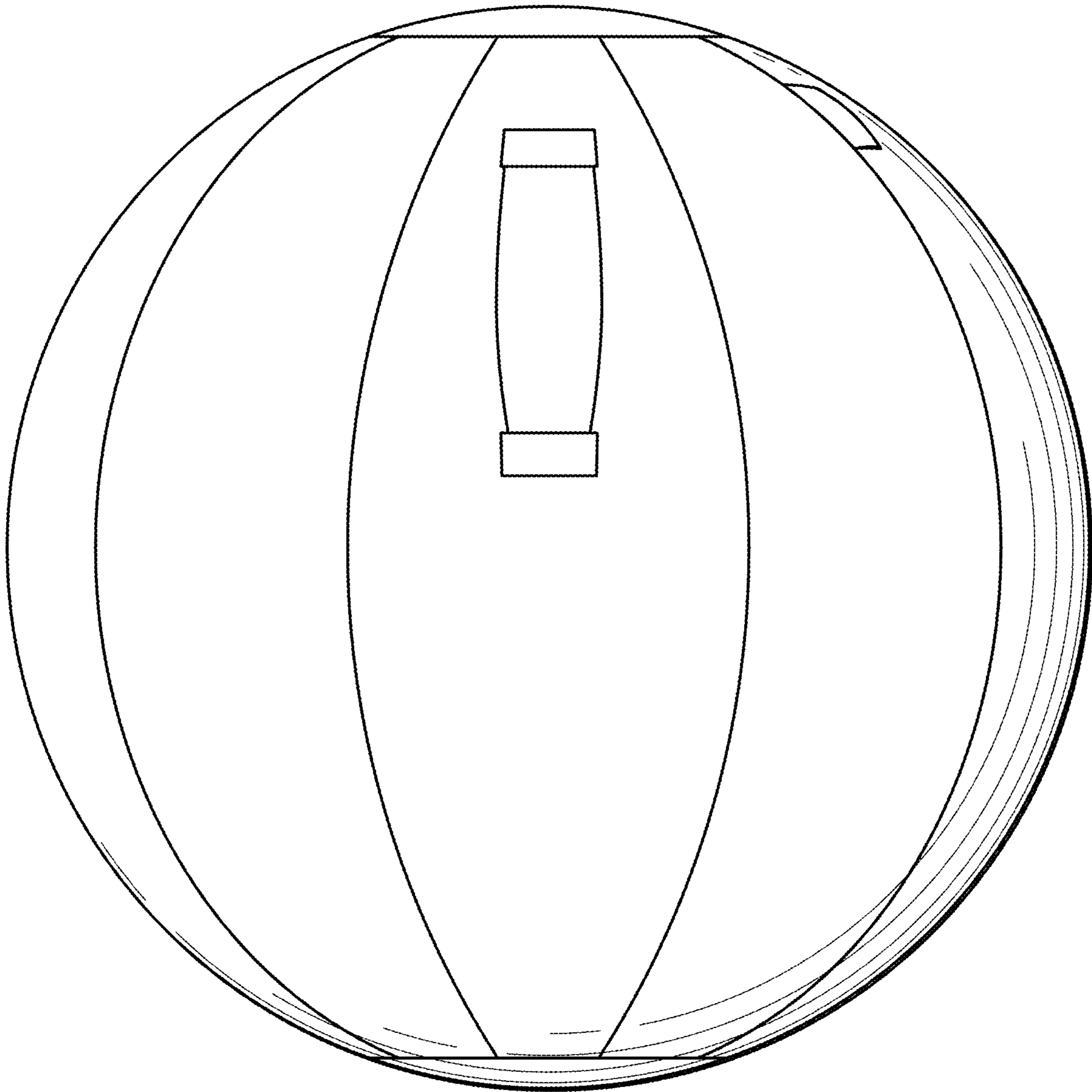
German Design Registration No. 402015201076-0003, dated May 22, 2015.

German Design Registration No. 402015201076-0004, dated May 22, 2015.

\* cited by examiner

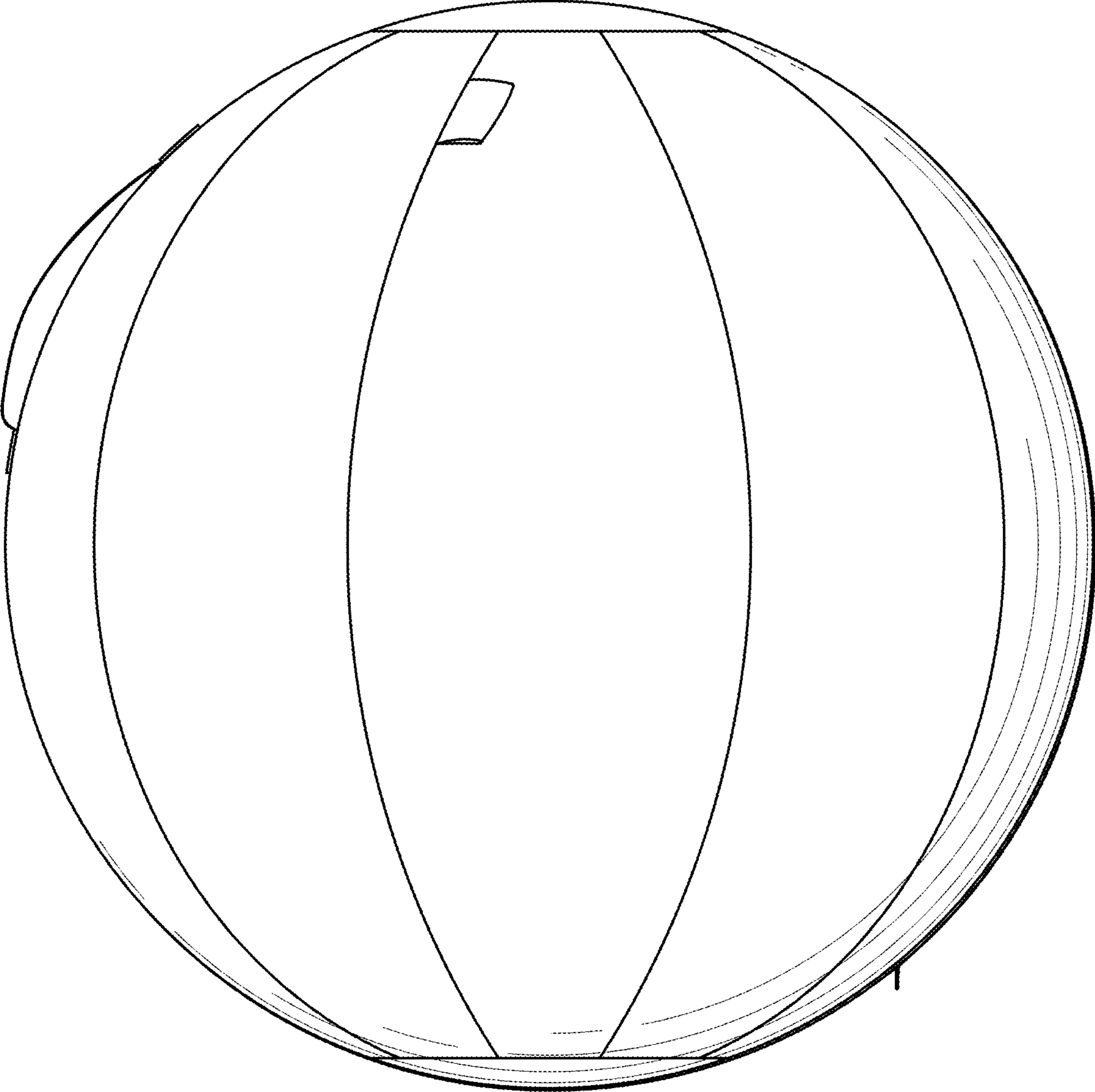


**FIG. 1**

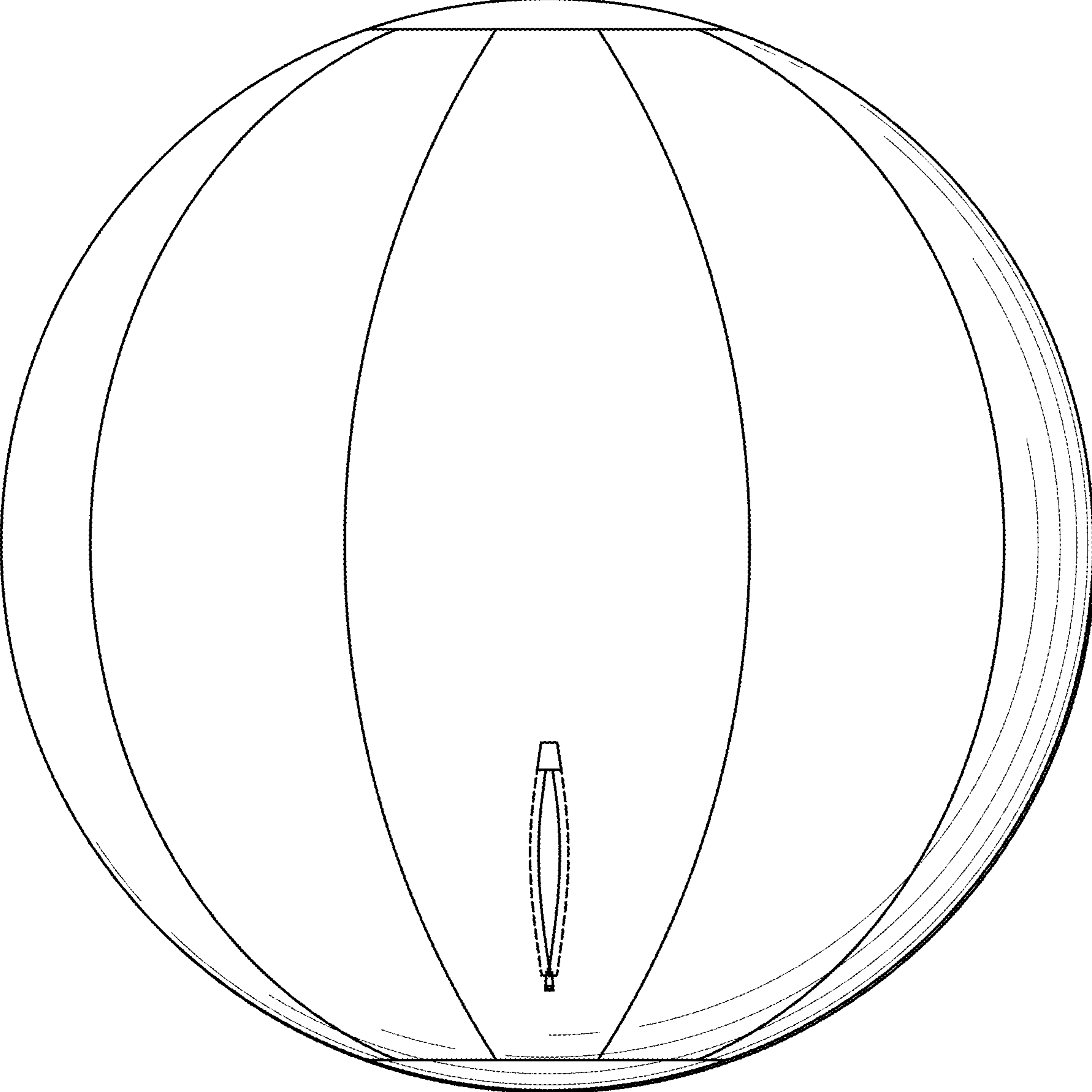


**FIG. 2**

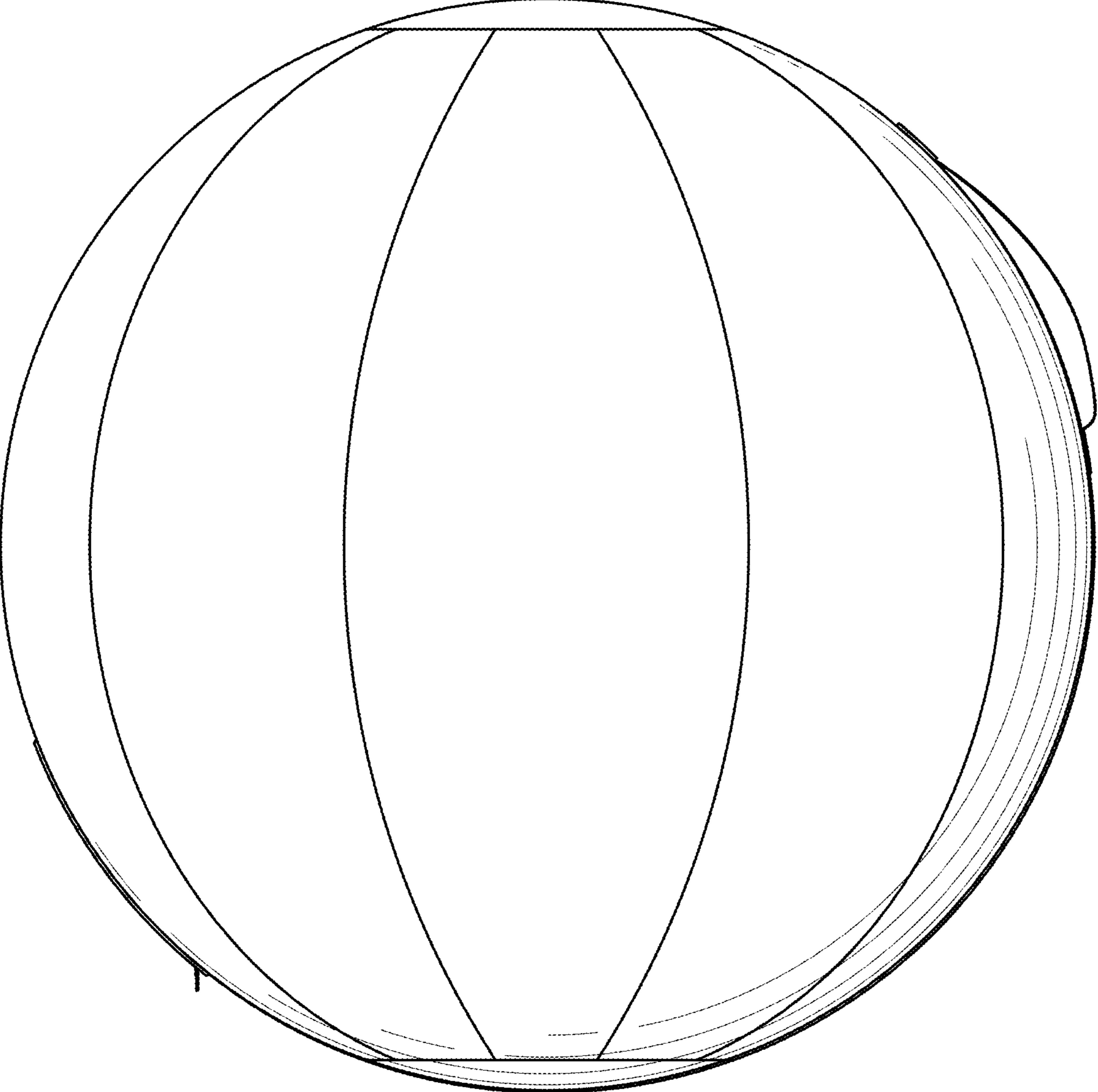




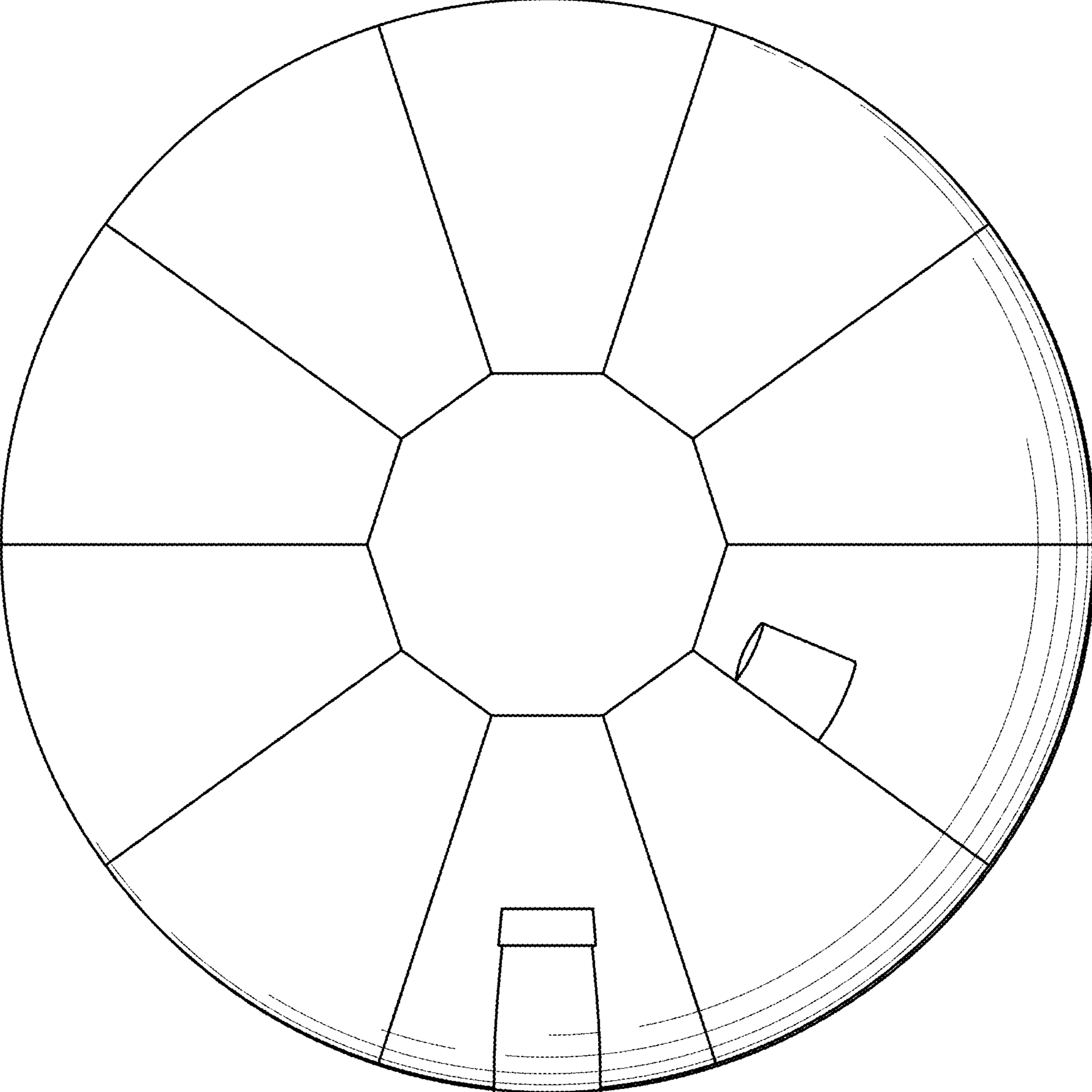
**FIG. 3**



**FIG. 4**

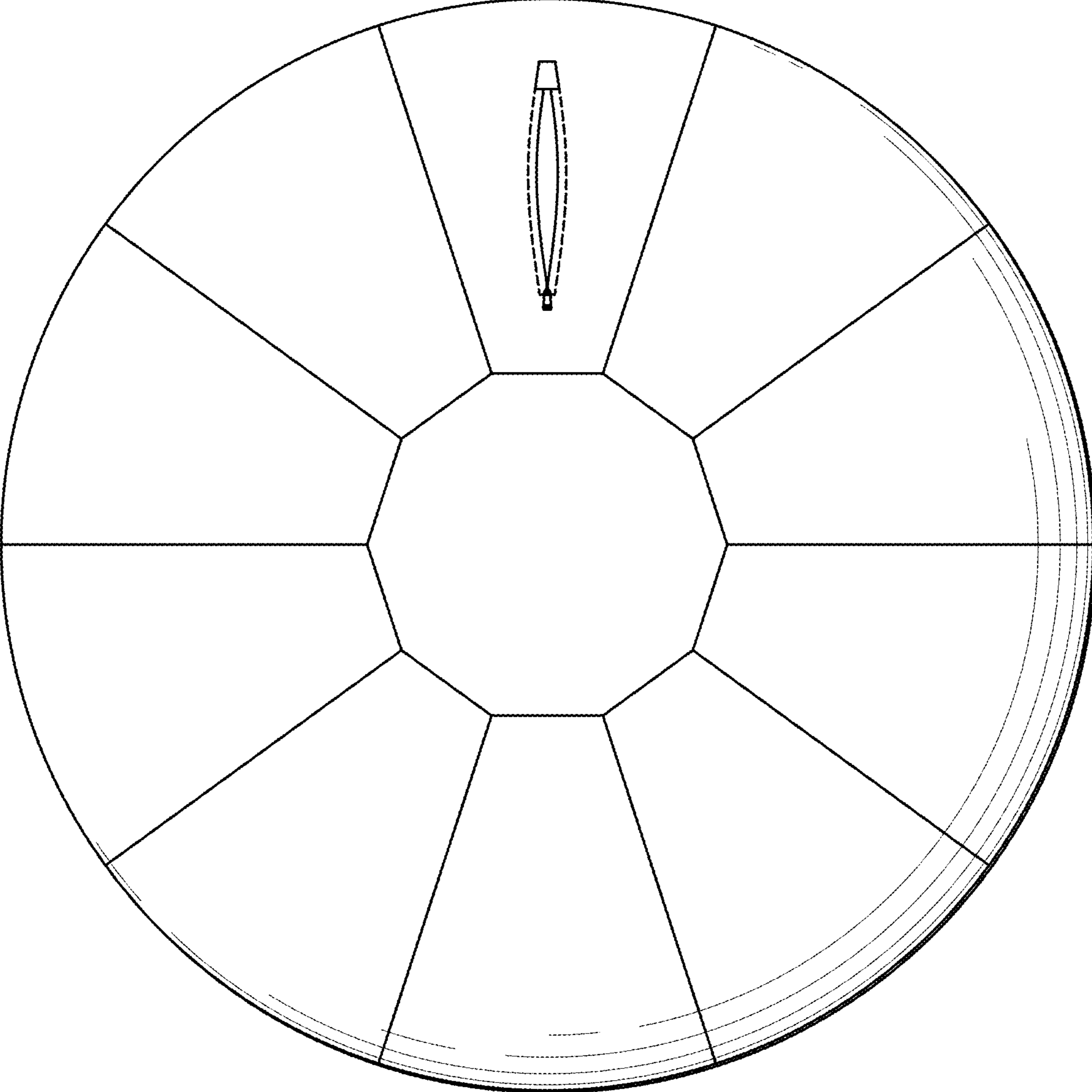


**FIG. 5**



**FIG. 6**





**FIG. 7**