



US00D977263S

(12) **United States Design Patent** (10) **Patent No.:** **US D977,263 S**  
**Huang** (45) **Date of Patent:** **\*\* Feb. 7, 2023**

(54) **HANGING CHAIR SWING**  
(71) Applicant: **FUJIAN PUTIAN YUDA HOME FURNISHING CO., LTD**, Putian (CN)  
(72) Inventor: **Guoyu Huang**, Putian (CN)

D929,137 S \* 8/2021 Shen ..... D6/347  
D931,629 S \* 9/2021 Xie ..... D6/347  
D931,630 S \* 9/2021 Burks ..... D6/347  
D935,205 S \* 11/2021 Xie ..... D6/347  
2020/0367653 A1 \* 11/2020 Xuemin ..... A47C 3/0255  
2022/0183467 A1 \* 6/2022 Sze ..... A45F 3/26

(\*\*) Term: **15 Years**  
(21) Appl. No.: **29/817,913**

**OTHER PUBLICATIONS**

“Hojinlinero Wicker Rattan Hanging Egg Chair with Stand . . .”  
Apr. 7, 2022, amazon.com, site visited Aug. 18, 2022 <<https://www.amazon.com/HOJINLINERO-Hanging-Hammock-Cushion-Resistant/dp/B09XD2WF2R>> (Year: 2022).\*

(22) Filed: **Dec. 6, 2021**  
(51) **LOC (14) Cl.** ..... **06-01**  
(52) **U.S. Cl.**  
USPC ..... **D6/347**

\* cited by examiner

(58) **Field of Classification Search**  
USPC ..... D6/347, 374, 708, 708.16, 708.17,  
D6/708.19, 708.2, 708.24, 708.25, 712  
CPC ... A63G 1/20; A63G 9/00; A63G 9/04; A63G  
9/14; A61G 7/1051; A61G 7/1059; A45F  
3/26; A45F 3/24; A47D 13/02; A47D  
13/107; A47D 9/02; A47C 3/0255; A47C  
3/023; A47C 3/12; A47C 5/02; A47C  
5/10

*Primary Examiner* — Kevin K Rudzinski  
*Assistant Examiner* — Paul D Bohannon  
(74) *Attorney, Agent, or Firm* — Rumit Ranjit Kanakia

See application file for complete search history.

(57) **CLAIM**

The ornamental design for a hanging chair swing, as shown and described.

(56) **References Cited**

**DESCRIPTION**

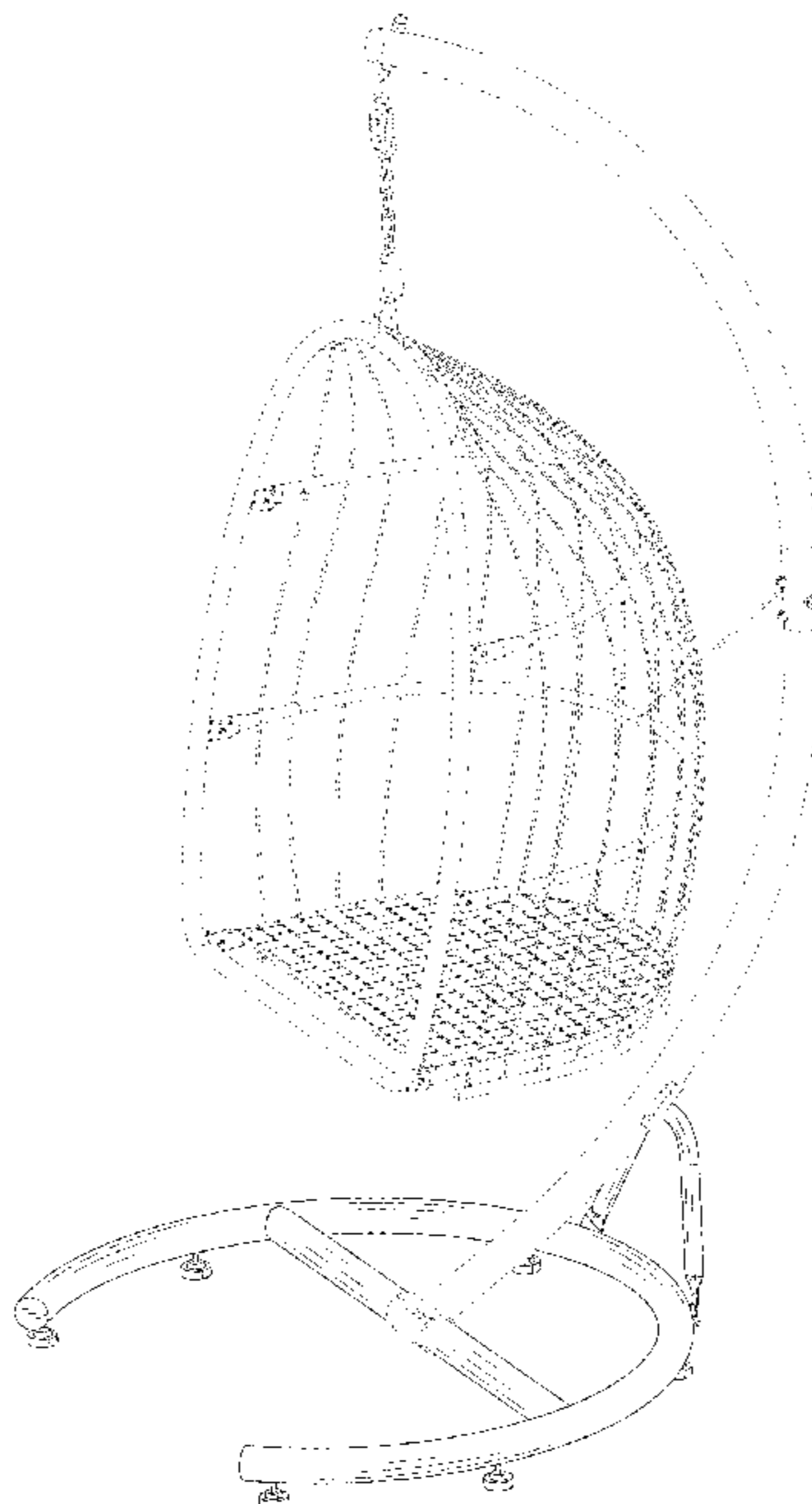
**U.S. PATENT DOCUMENTS**

D499,894 S	12/2004	Wu	
D522,259 S	6/2006	Wu	
D522,260 S *	6/2006	Strachan	..... D6/347
D734,620 S	7/2015	Fang	
D804,836 S	12/2017	Lieberman	
D807,657 S	1/2018	Zhang	
D865,383 S	11/2019	Wehner	
D871,785 S	1/2020	Wehner	
D897,123 S	9/2020	Tan	
D897,701 S	10/2020	Tan	
D898,397 S	10/2020	Wehner	

FIG. 1 is a perspective view of a hanging chair swing showing my new design;  
FIG. 2 is another perspective view thereof;  
FIG. 3 is a front elevational view thereof;  
FIG. 4 is a rear elevational view thereof;  
FIG. 5 is a left side view thereof;  
FIG. 6 is a right side view thereof;  
FIG. 7 is a top plan view thereof;  
FIG. 8 is a bottom plan view thereof; and,  
FIG. 9 is a partial enlarged view of FIG. 2.

The broken lines in the figures are for the purposes of illustrating portions of the hanging chair swing, which form no part of the claimed design.

**1 Claim, 9 Drawing Sheets**



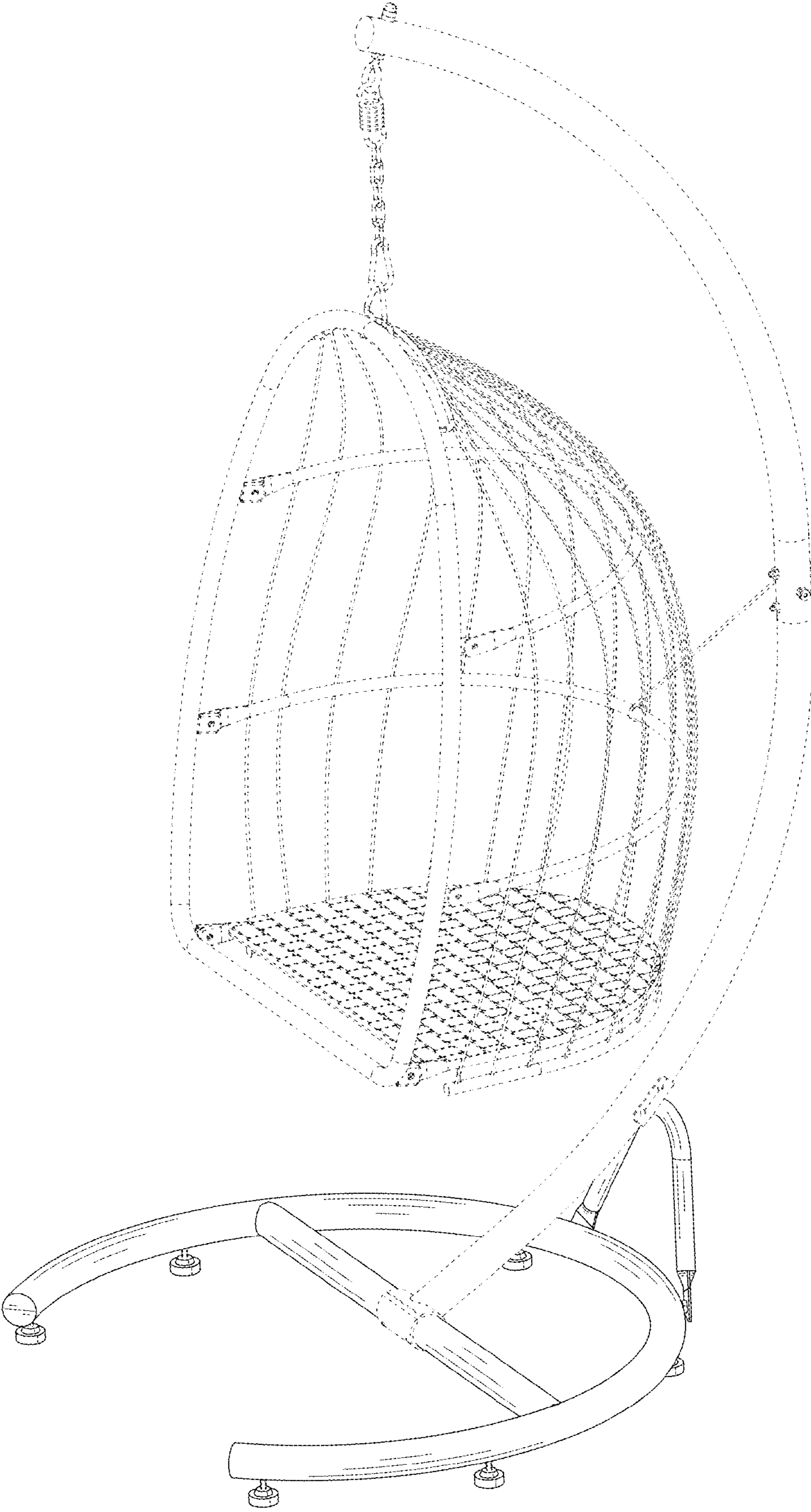


FIG. 1

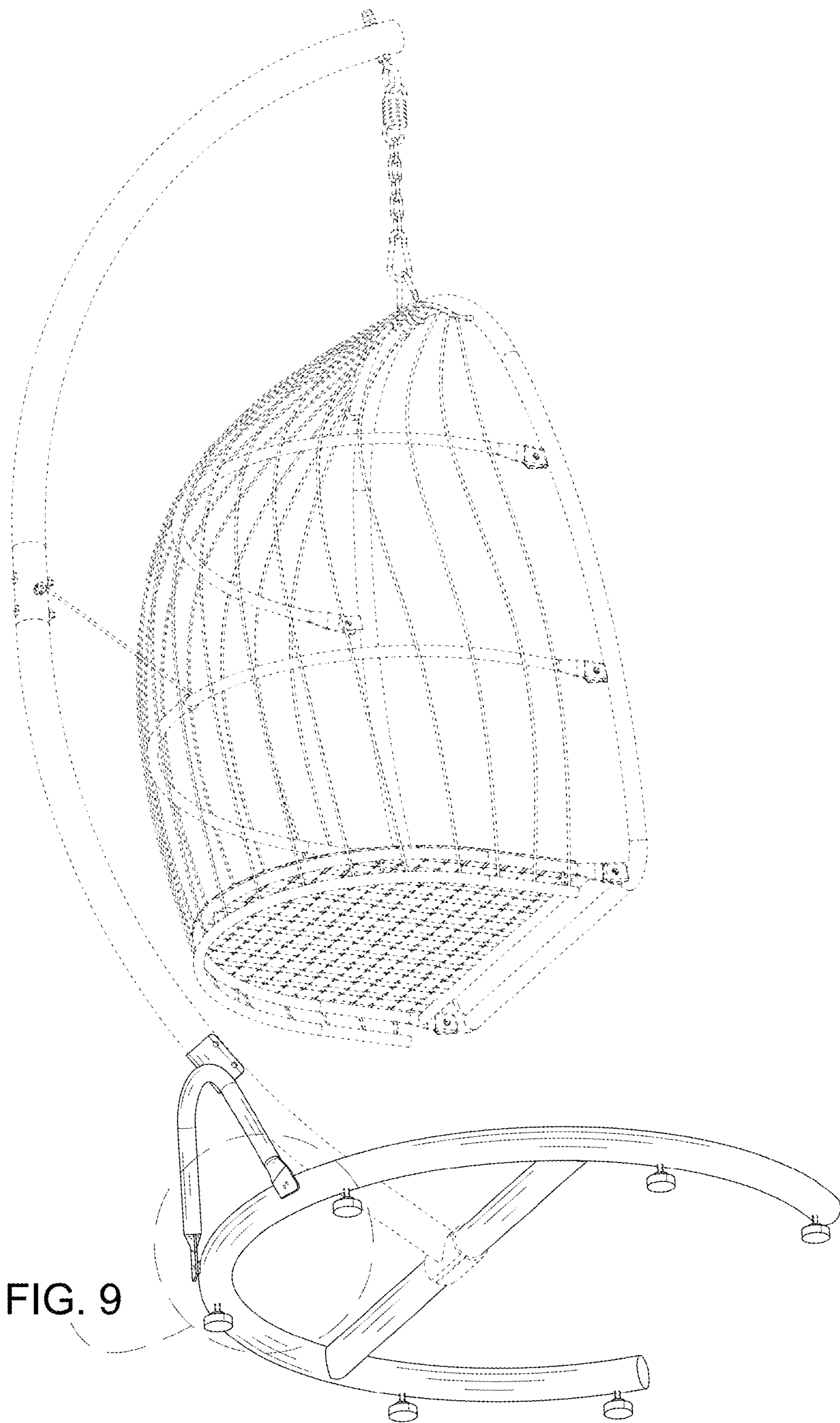


FIG. 9

FIG. 2



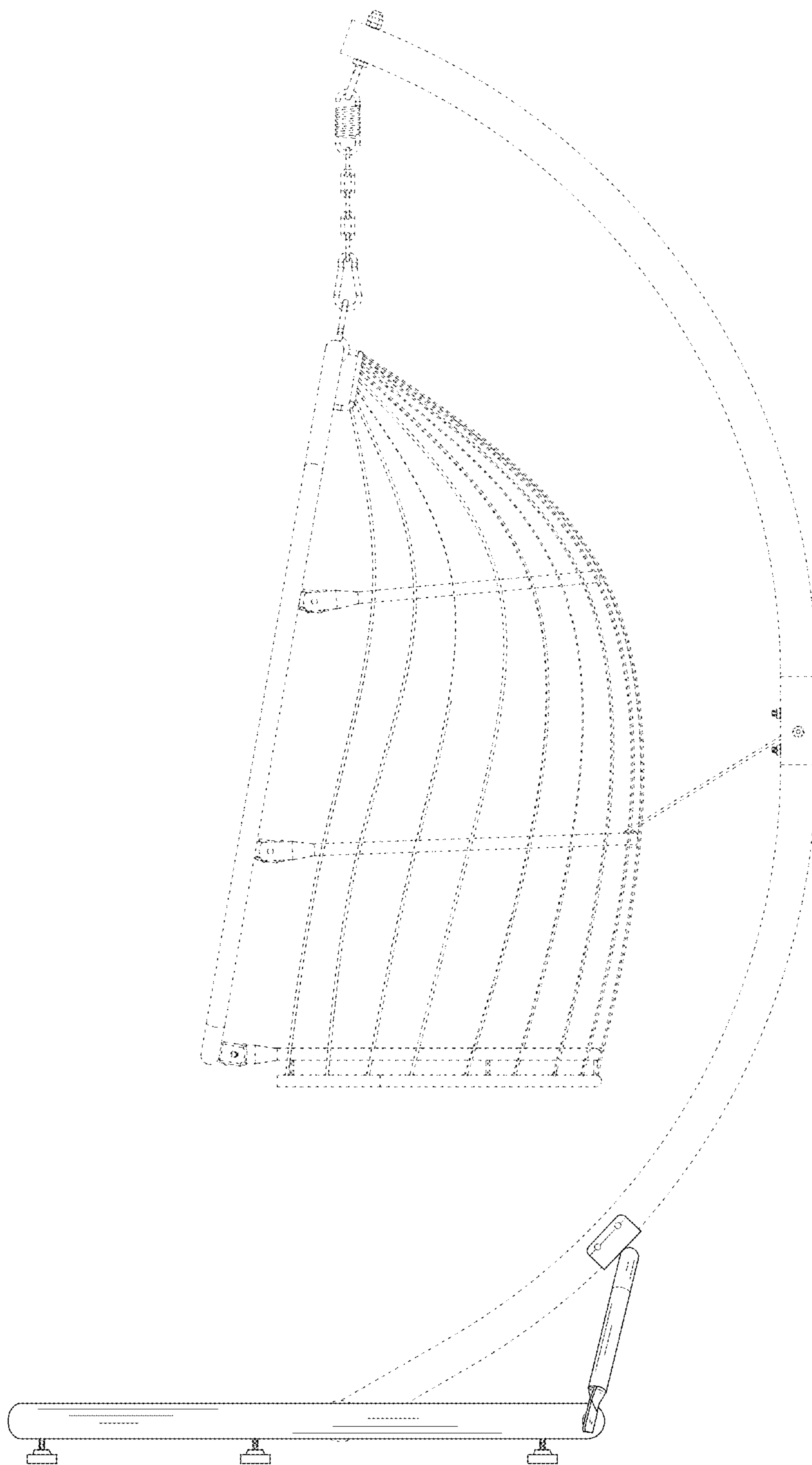


FIG. 3

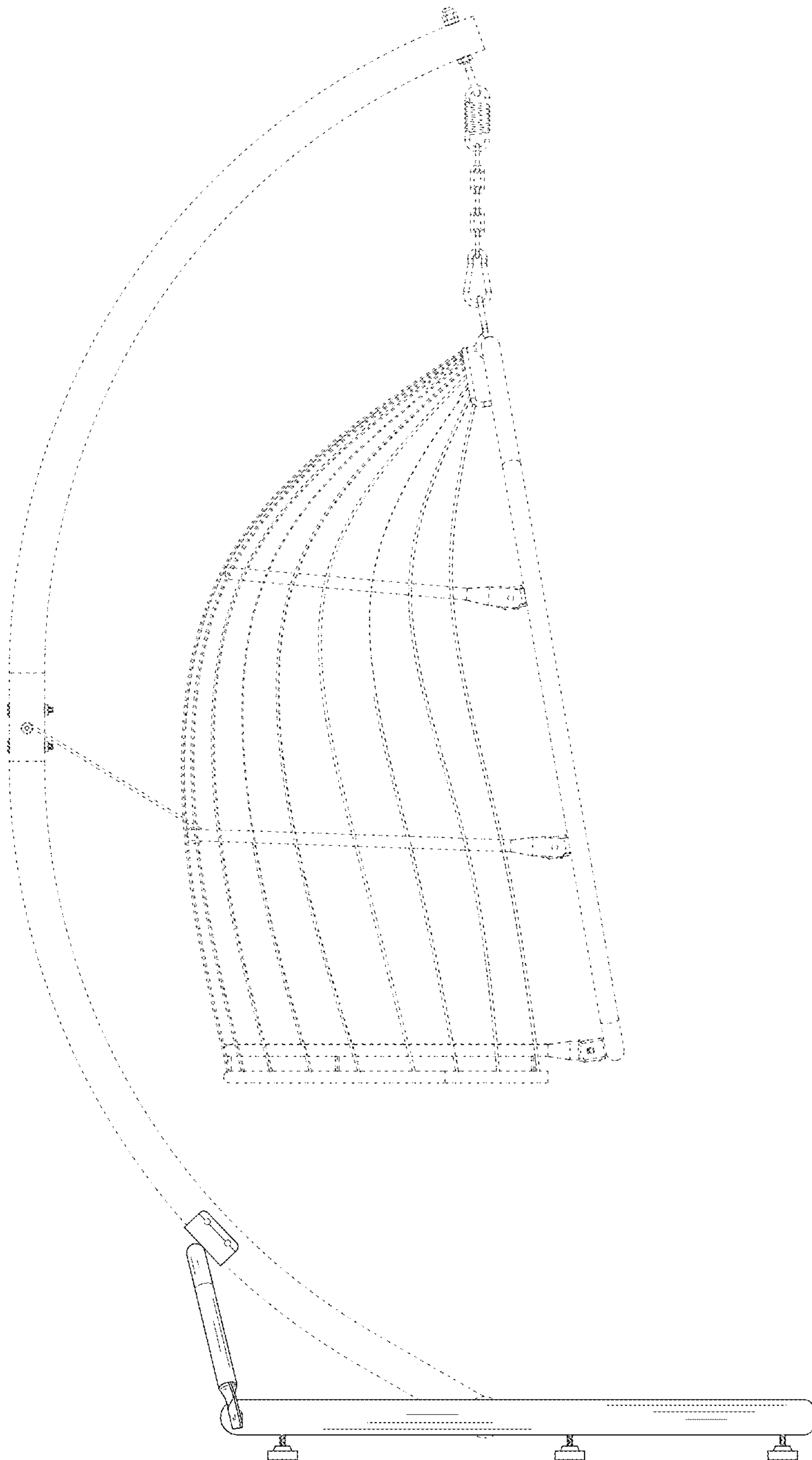


FIG. 4

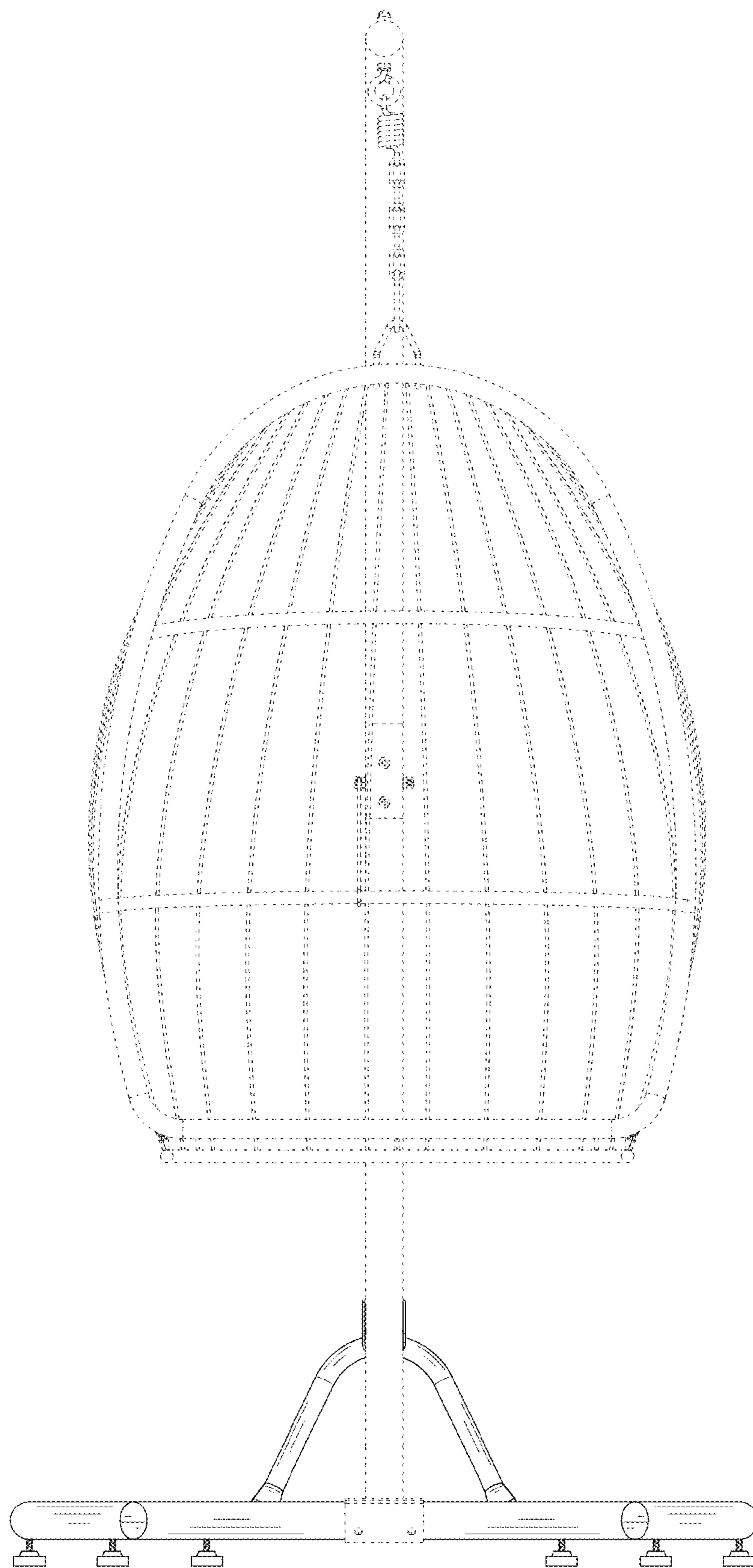


FIG. 5

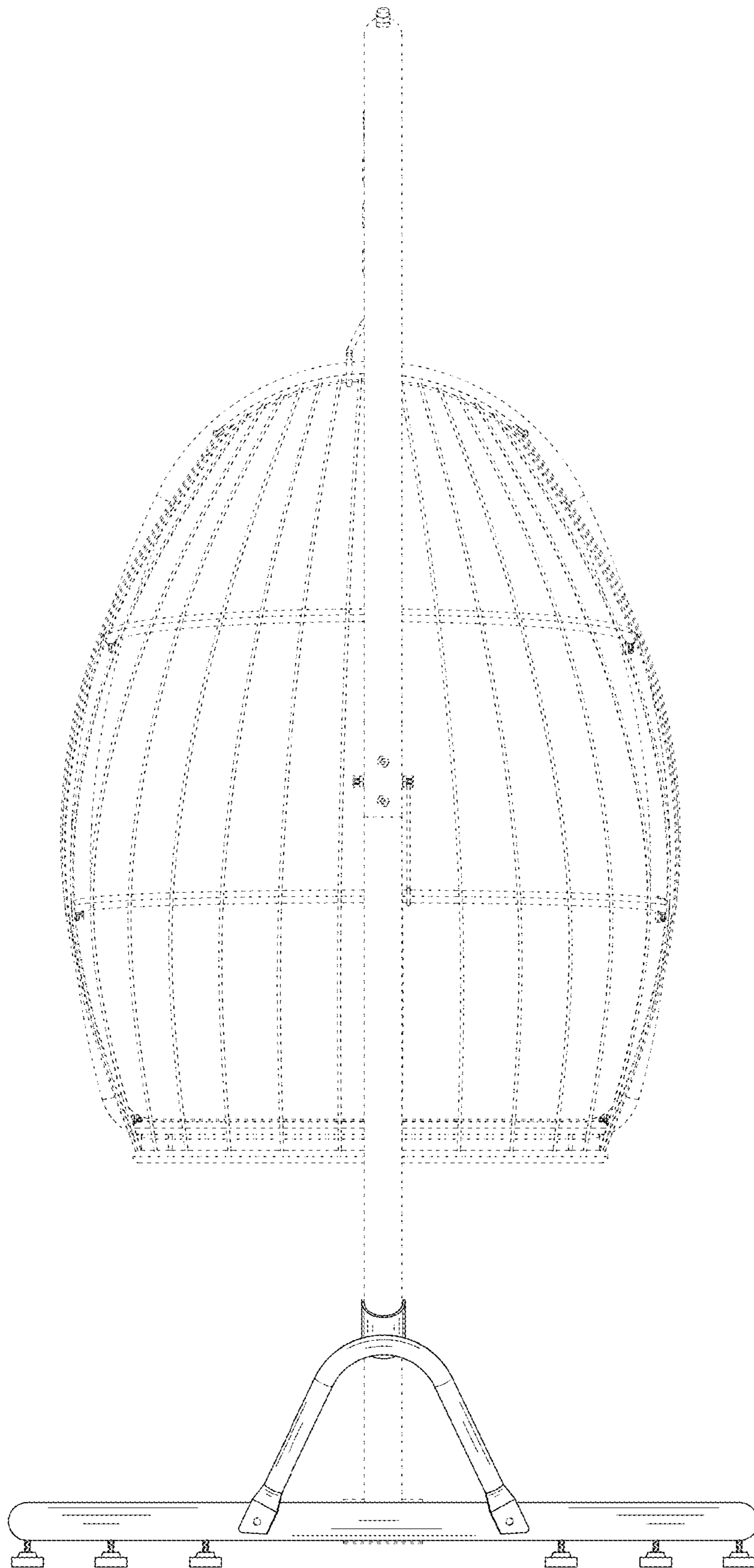


FIG. 6

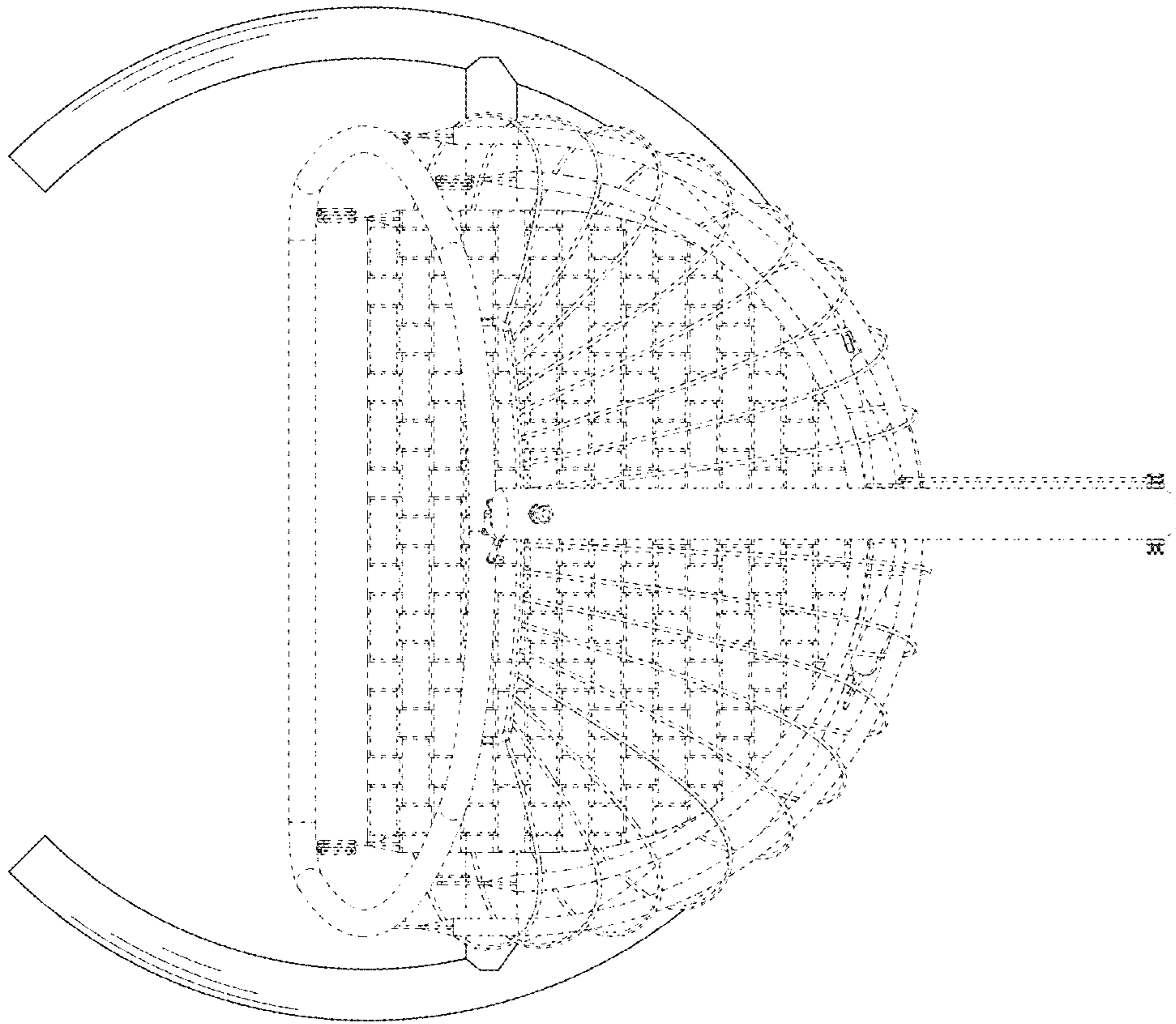


FIG. 7



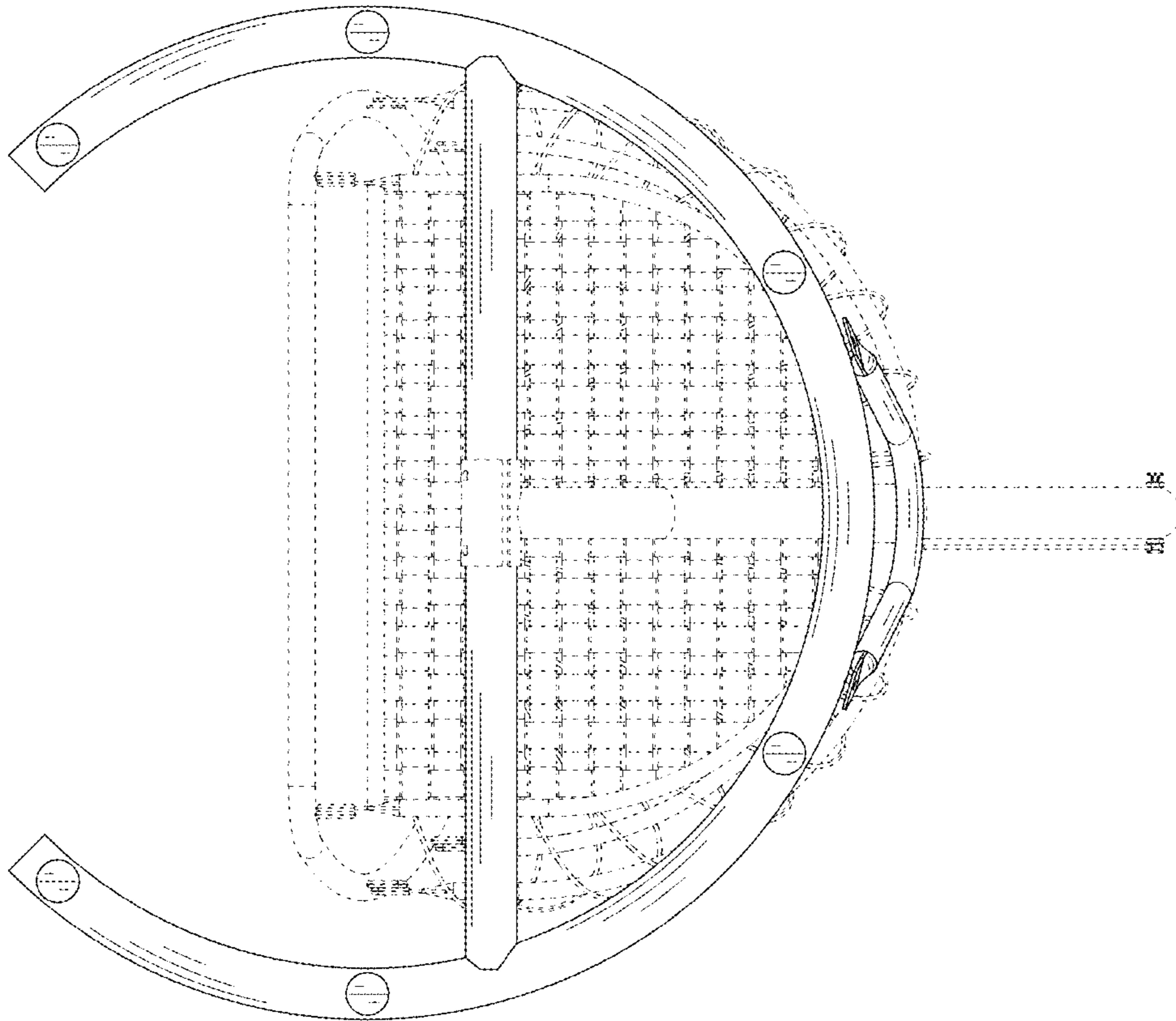


FIG. 8

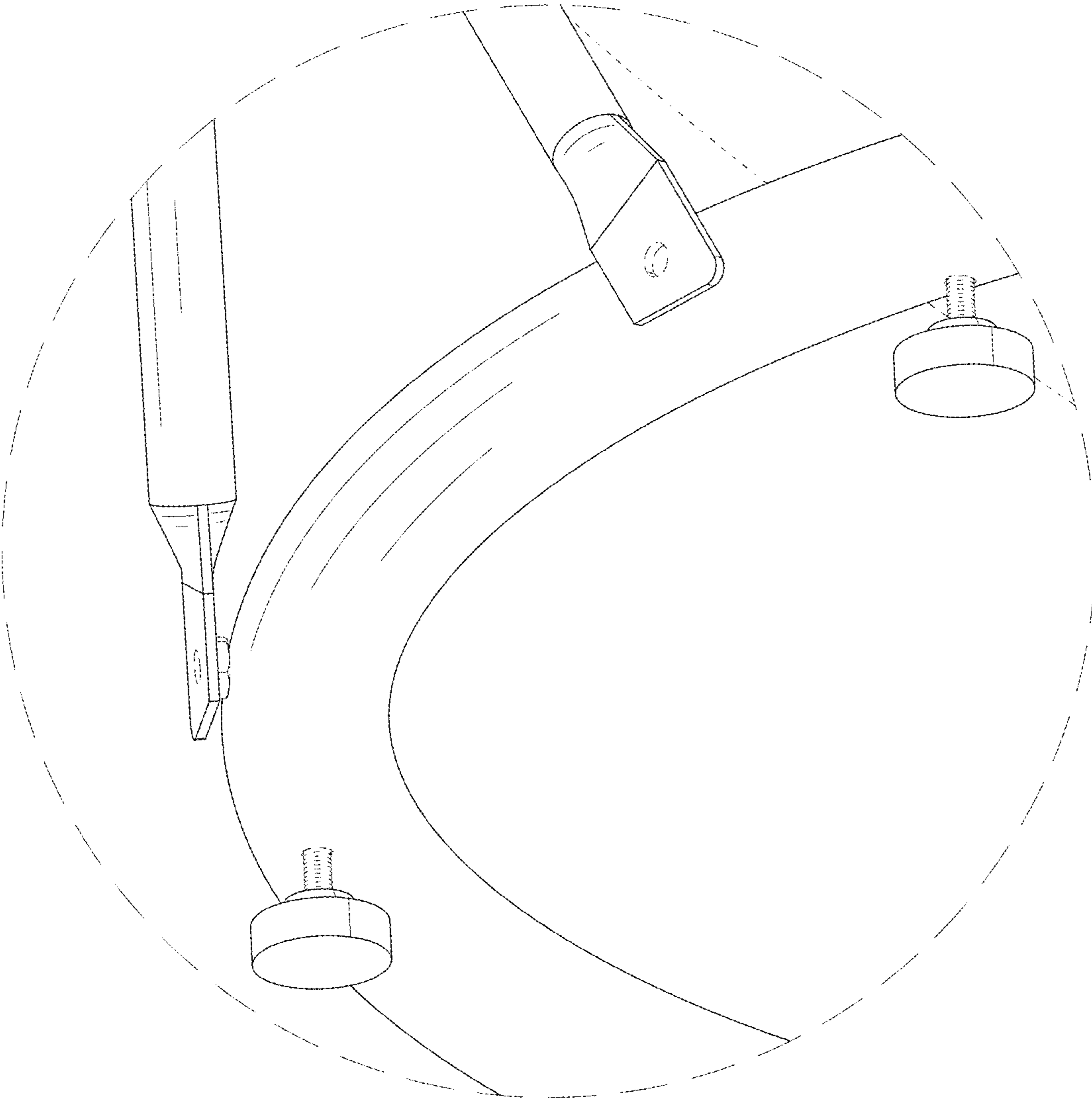


FIG. 9