



US00D977259S

(12) **United States Design Patent** (10) **Patent No.:** **US D977,259 S**
Chu (45) **Date of Patent:** **** Feb. 7, 2023**

(54) **HAIRBRUSH**
(71) Applicant: **Peng-Fei Chu**, Taipei (TW)
(72) Inventor: **Peng-Fei Chu**, Taipei (TW)
(**) Term: **15 Years**
(21) Appl. No.: **29/775,136**
(22) Filed: **Mar. 22, 2021**

D941,035 S * 1/2022 Hinds D4/133
D944,534 S * 3/2022 Hinds D4/128
D950,962 S * 5/2022 Russo D4/128

OTHER PUBLICATIONS

Sam Villa Brush, announced 2018 [online], [site visited Oct. 11, 2022]. Avail from int, URL: <https://www.samvilla.com/products/thermal-brush> (Year: 2018).*
Amazon Boar Brush, announced 2020 [online], [site visited Oct. 11, 2022]. Avail from int, URL: https://www.amazon.com/Bristle-Detangling-Straightening-Curling-Volumizing/dp/B07S1N8F63/ref=sr_1_14 (Year: 2020).*
Ulta Brush, announced 2021 [online], [site visited Oct. 11, 2022]. Avail from int, URL: <https://www.ulta.com/p/breakfree-smooth-shine-round-brush-pimprod2024120> (Year: 2021).*

(30) **Foreign Application Priority Data**

Oct. 30, 2020 (CN) 202030651512.0

(51) **LOC (14) Cl.** **04-99**

(52) **U.S. Cl.**
USPC **D4/133**

(58) **Field of Classification Search**
USPC D4/100, 102, 116, 117, 118, 121, 122,
D4/127, 128, 130, 131, 132, 133, 134,
D4/138; D28/15, 24; D30/158, 159
CPC A46B 2200/104; A46B 15/0059; A46B
15/003; A45D 24/00; A45D 2/001; A45D
20/48; A01K 13/002
See application file for complete search history.

* cited by examiner

Primary Examiner — Cynthia Ramirez
Assistant Examiner — Tamara L Hahn
(74) *Attorney, Agent, or Firm* — Demian K. Jackson;
Jackson IPG PLLC

(57) **CLAIM**

The ornamental design for a hairbrush, as shown and described.

DESCRIPTION

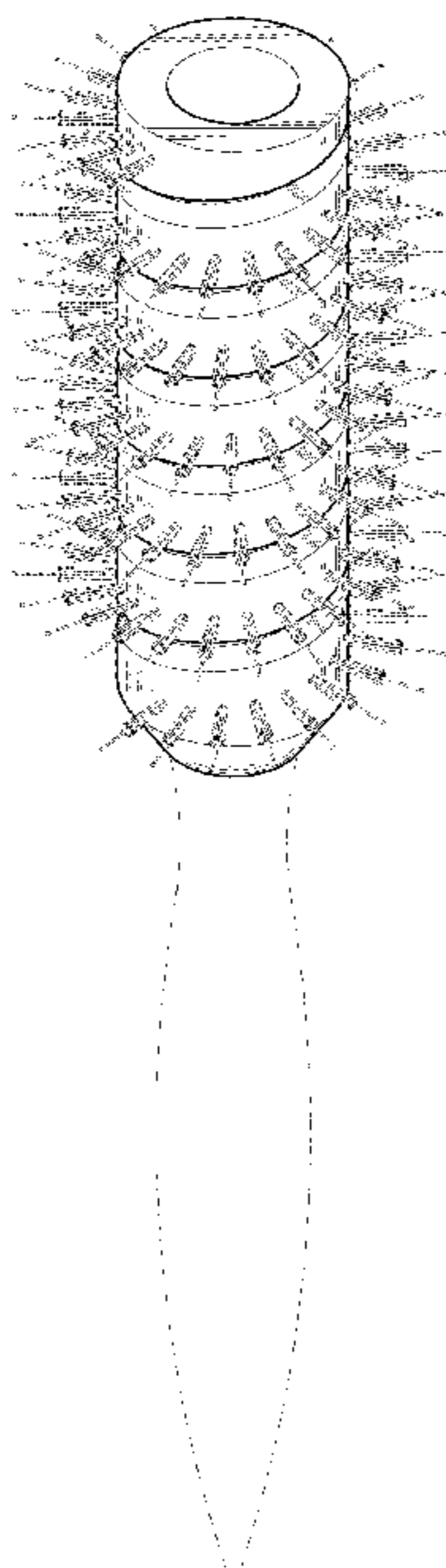
FIG. 1 is a perspective view showing my new design for a hairbrush;
FIG. 2 is a front elevational view thereof;
FIG. 3 is a rear elevational view thereof;
FIG. 4 is a left side elevational view thereof;
FIG. 5 is a right side elevational view thereof;
FIG. 6 is a top plan view thereof; and,
FIG. 7 is a bottom plan view thereof.
The broken lines in the drawings depict portions of the hairbrush that form no part of the claimed design.

(56) **References Cited**

U.S. PATENT DOCUMENTS

D366,761 S * 2/1996 Gertsma D4/128
D409,796 S * 5/1999 Moreno D4/128
D461,316 S * 8/2002 Park D4/128
D502,815 S * 3/2005 Wang D4/128
D518,644 S * 4/2006 Park D4/128
D710,114 S * 8/2014 Yao D4/128
D856,683 S * 8/2019 Renette D4/128
D890,425 S * 7/2020 Liao D28/13
D940,466 S * 1/2022 Russo D4/128

1 Claim, 6 Drawing Sheets



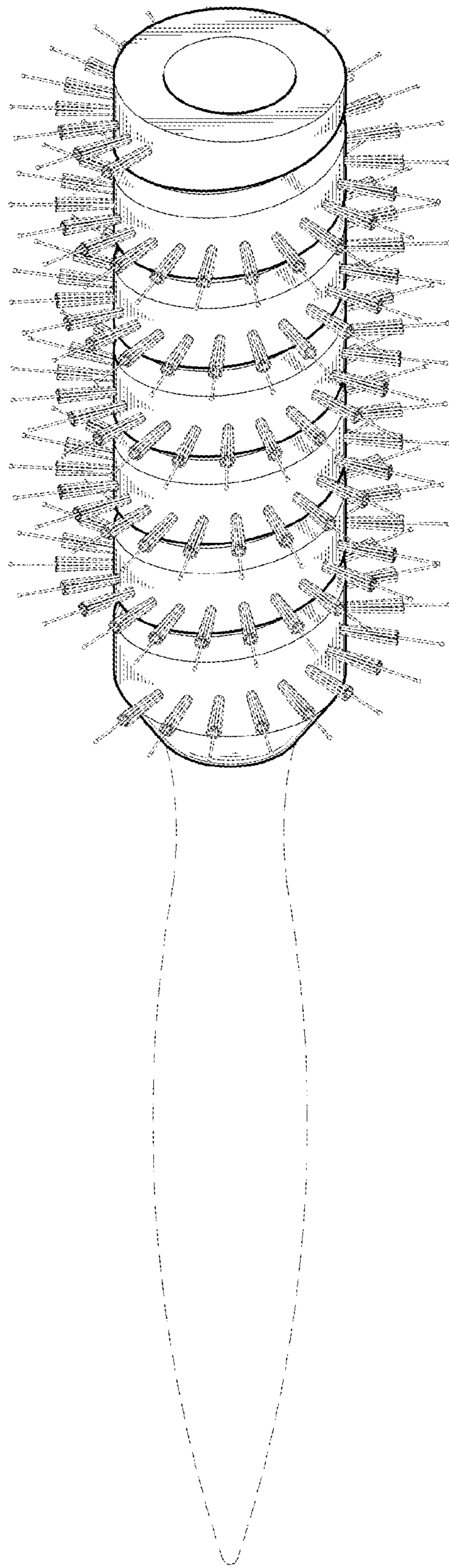


FIG. 1

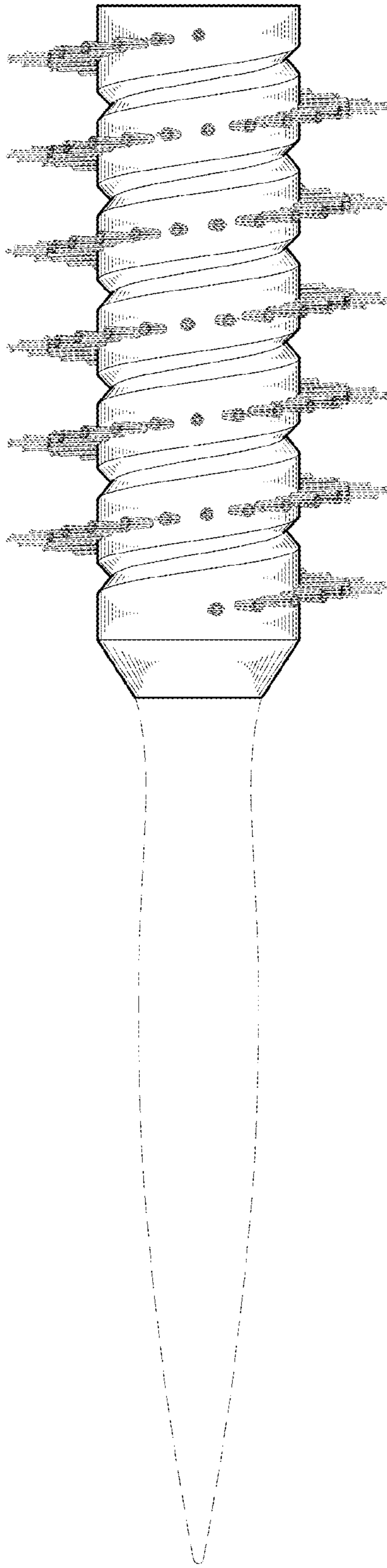


FIG.2

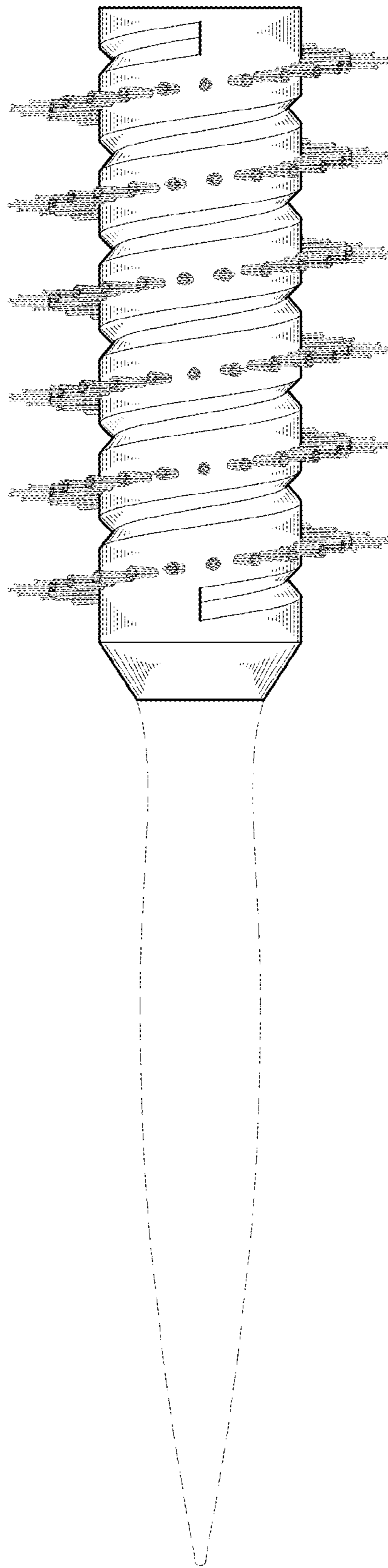


FIG.3

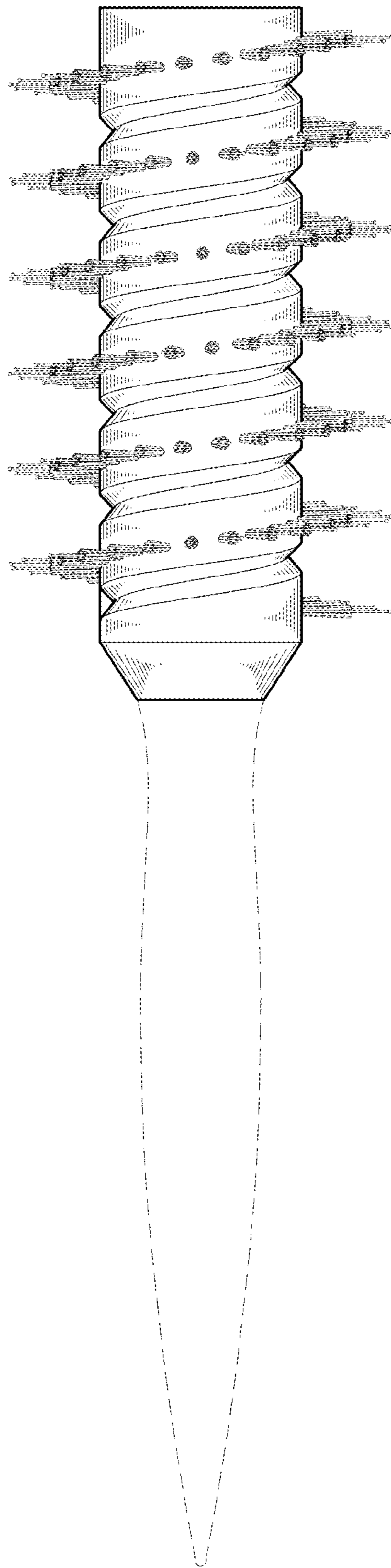


FIG.4

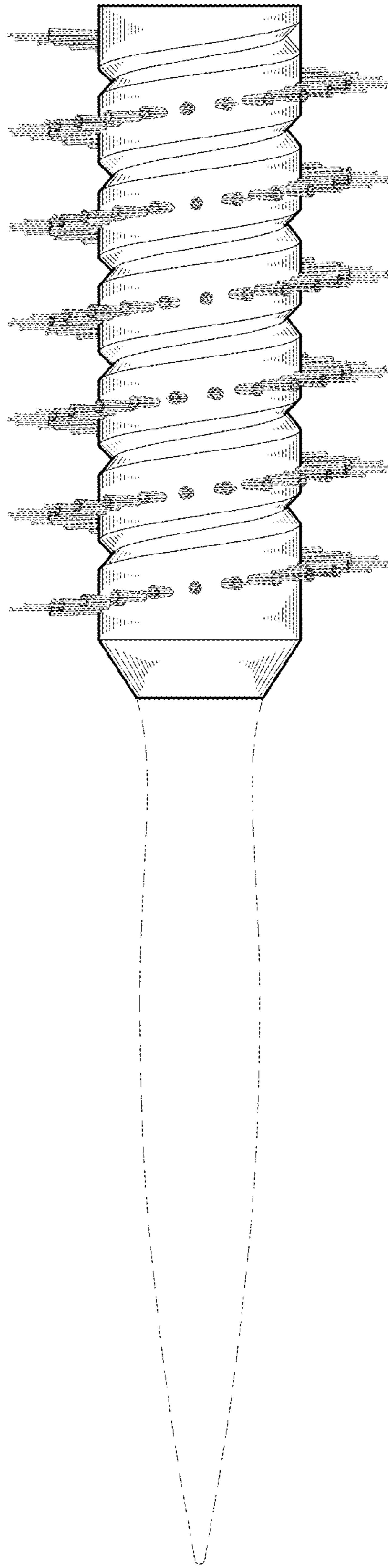


FIG.5

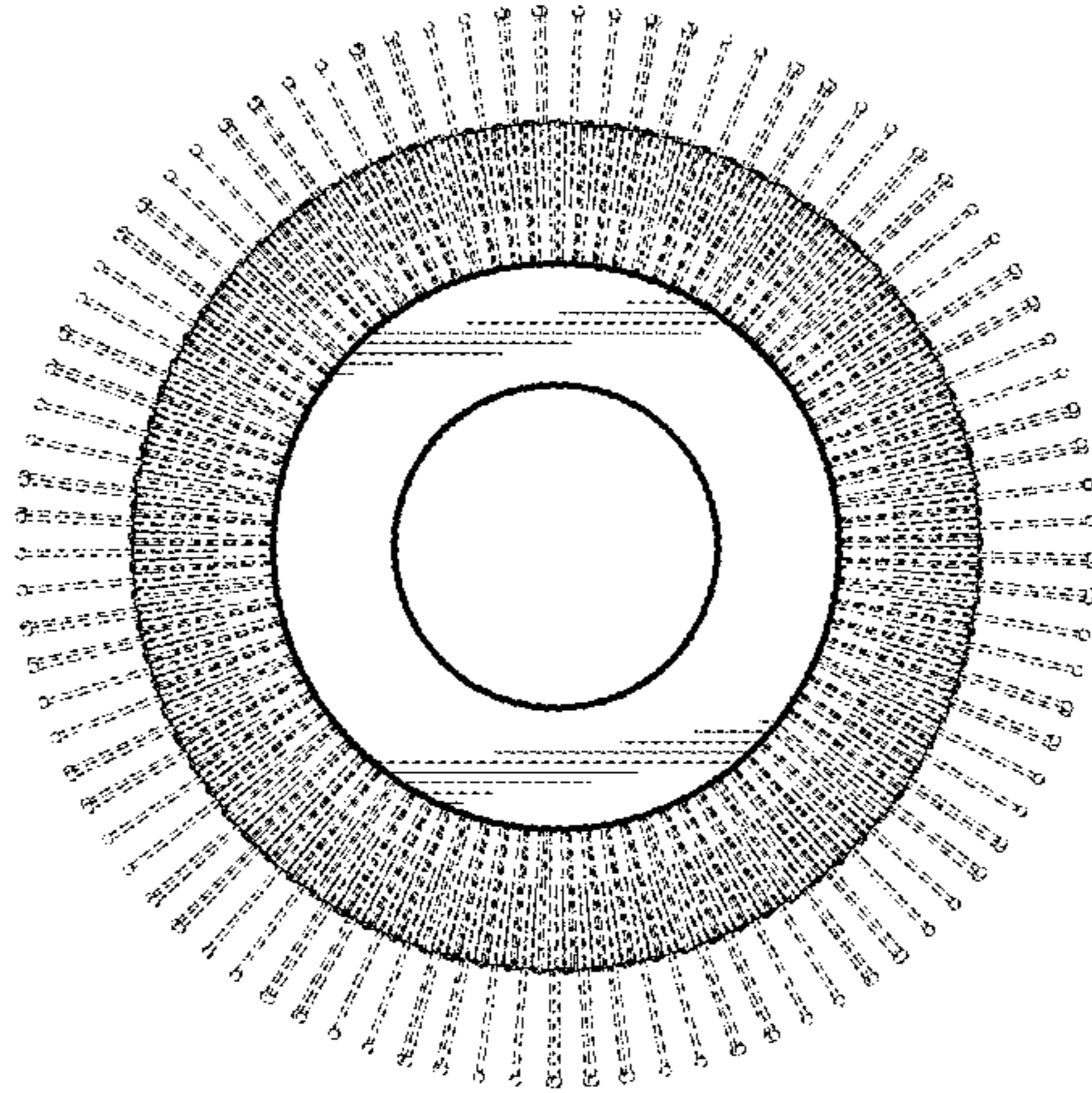


FIG.6

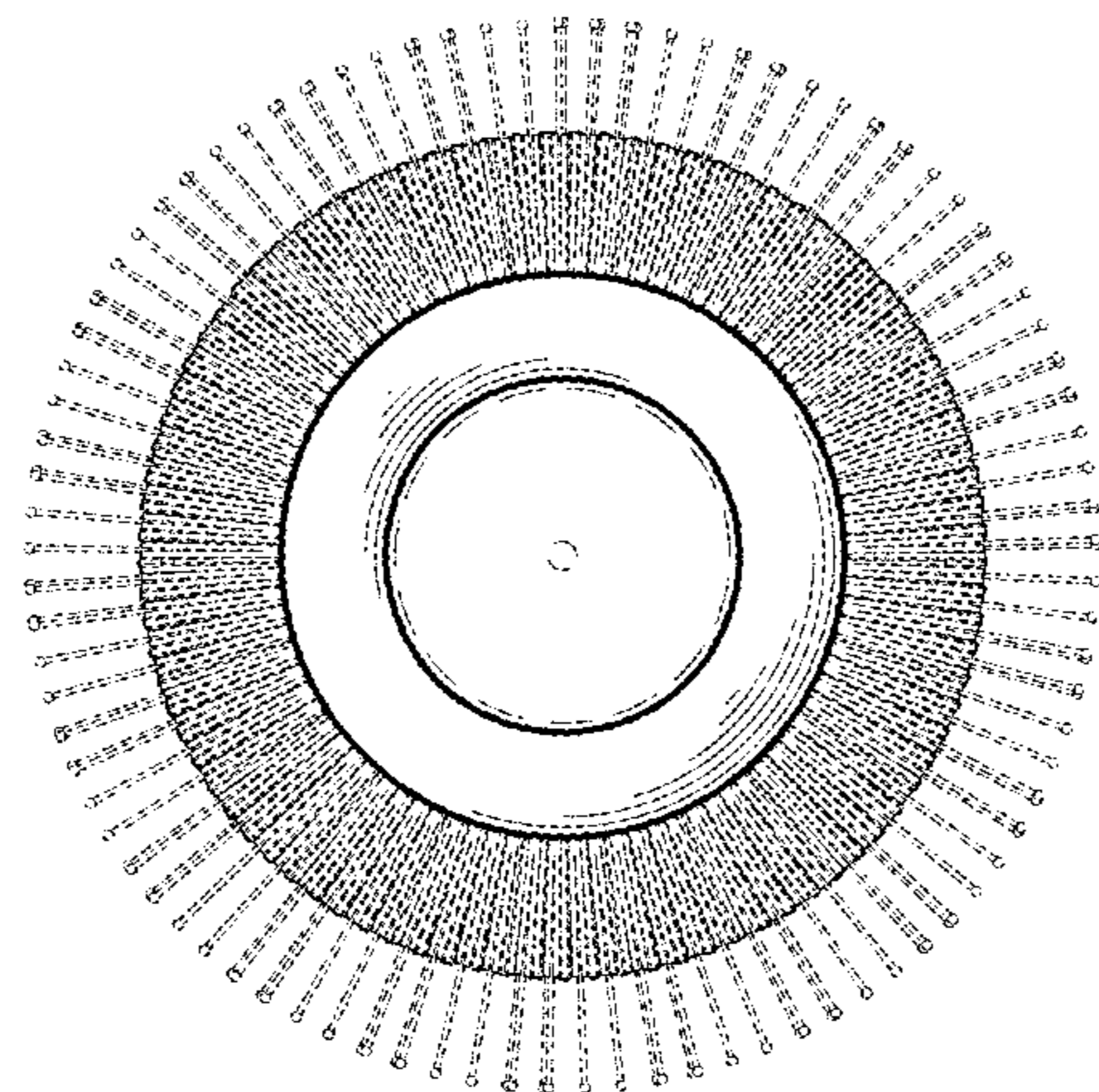


FIG.7